



US00D955827S

(12) **United States Design Patent** (10) **Patent No.:** **US D955,827 S**  
**Liu** (45) **Date of Patent:** **\*\* Jun. 28, 2022**

(54) **KNIFE BLOCK**  
(71) Applicant: **Yunxing Liu**, Irvine, CA (US)  
(72) Inventor: **Yunxing Liu**, Irvine, CA (US)  
(\*\*) Term: **15 Years**

(21) Appl. No.: **29/762,474**  
(22) Filed: **Dec. 16, 2020**  
(51) **LOC (13) Cl.** ..... **07-99**  
(52) **U.S. Cl.**  
USPC ..... **D7/637**  
(58) **Field of Classification Search**  
USPC ... D7/600.1, 600.3, 601, 602, 637-641, 701,  
D7/704, 705, 708; D3/304, 305, 313,  
D3/314; D6/323, 525, 527, 683, 683.1,  
D6/706; D19/77, 81, 92; D32/55, 56  
CPC ..... A47B 77/14; A47G 21/00; A47G 21/14;  
A47G 23/06; A47G 23/0641; A47J 45/02;  
A47J 47/16; A47L 19/00; A47L 19/02;  
A47L 19/04; B65D 1/34; B65D 1/36  
See application file for complete search history.

2007/0278165 A1\* 12/2007 Ranieri ..... A47G 21/14  
211/70.7  
2011/0283547 A1\* 11/2011 Wang ..... A47G 21/14  
30/298.4  
2018/0249886 A1\* 9/2018 Thompson ..... C09J 4/06

**OTHER PUBLICATIONS**

Design No. 306519033, Nov. 26, 2020—China National Intellectual Property Administration (CNIPA) Publication Date—May 7, 2021 Owner—Qingdao Henry Foodservice Products Co Ltd, Designer—Liu Yunxing WIPO, available at <https://www3.wipo.int/designdb/en/index.jsp> (Year: 2020).  
Savour Selects 1026320 German Steel Forged 17-Piece Knife Block Set, first available May 5, 2021, Amazon, [online], [site visited Feb. 22, 2022], Available from internet URL: <https://www.amazon.com/Savour-Selects-1026320-German-17-Piece/dp/B0948FBJYL> (Year: 2021).\*

\* cited by examiner

*Primary Examiner* — Mary Ann Calabrese  
*Assistant Examiner* — Natalya M Rapundalo

(57) **CLAIM**

The ornamental design for a knife block, as shown and described.

(56) **References Cited**

**U.S. PATENT DOCUMENTS**

D517,377 S \* 3/2006 Tetreault ..... D7/637  
D776,492 S \* 1/2017 Keyes ..... D7/637  
D800,512 S \* 10/2017 Liu ..... D7/637  
D838,554 S \* 1/2019 Thompson ..... D7/637  
D852,003 S \* 6/2019 Rüsich ..... A47G 21/14  
D7/637  
D886,545 S \* 6/2020 Holding ..... C09J 4/06  
D7/637  
D915,154 S \* 4/2021 Liu ..... A47G 21/14  
D7/637  
D920,051 S \* 5/2021 Li ..... D7/637  
D946,357 S \* 3/2022 Yang ..... D7/637

**DESCRIPTION**

FIG. 1 is a front, left side perspective view of the knife handle, showing my new design.  
FIG. 2. is a front view thereof.  
FIG. 3 is a rear view thereof.  
FIG. 4 is a left side view thereof.  
FIG. 5. is a right side view thereof.  
FIG. 6 is a bottom view thereof; and,  
FIG. 7 is a top view thereof.  
The broken lines shown in the drawings illustrate environment that forms no part of the claimed design.

**1 Claim, 4 Drawing Sheets**

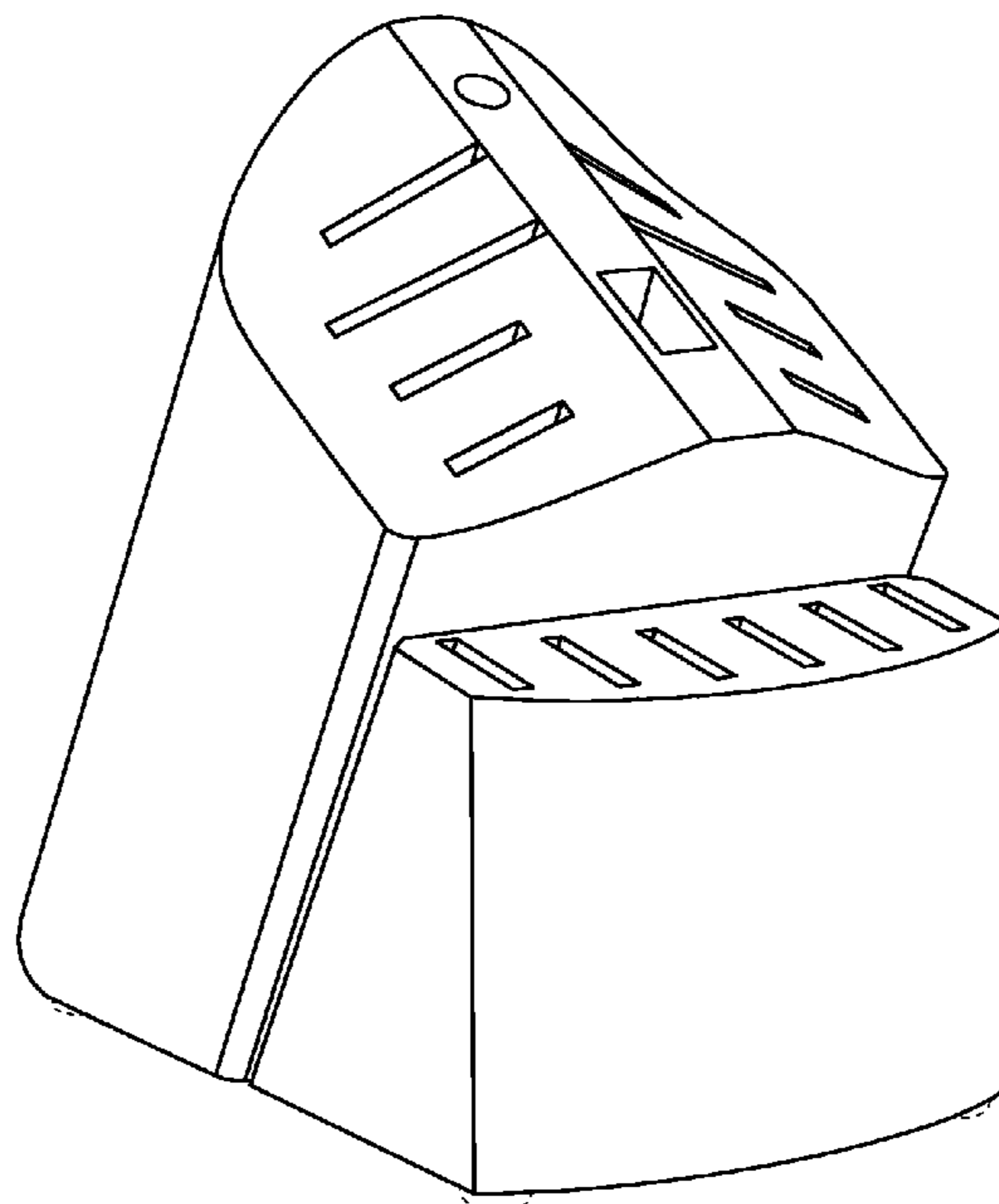
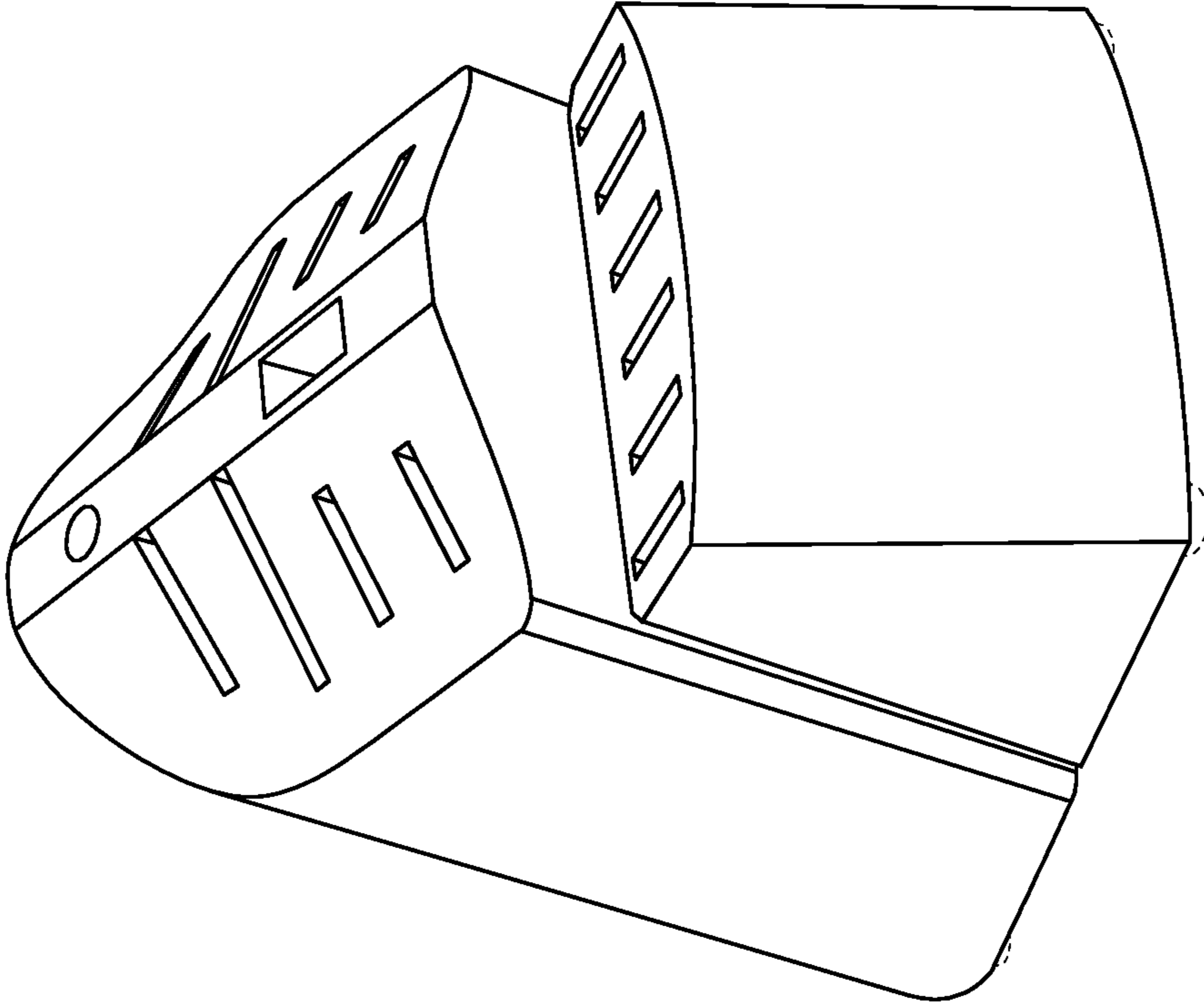


Fig. 1



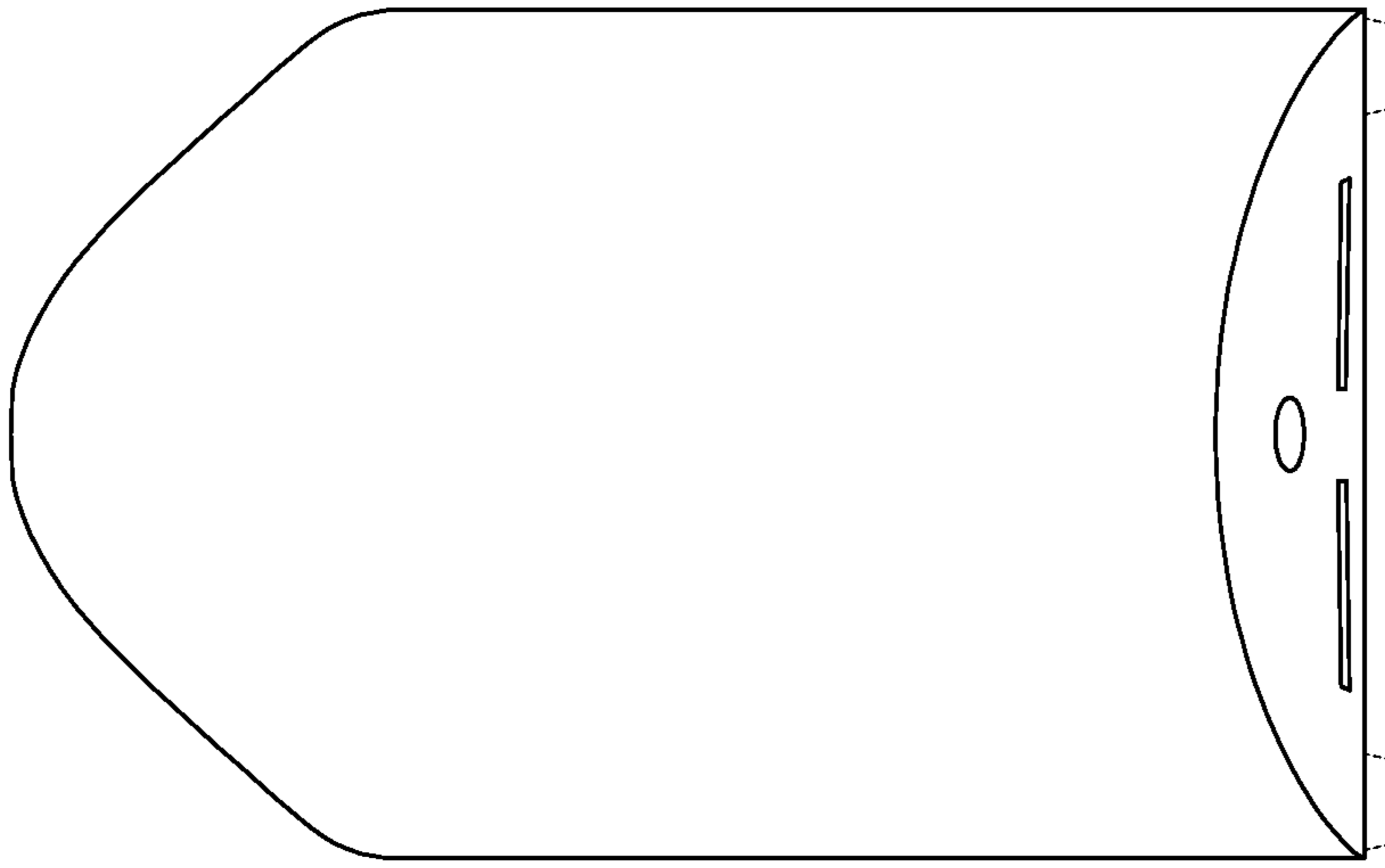


Fig. 3

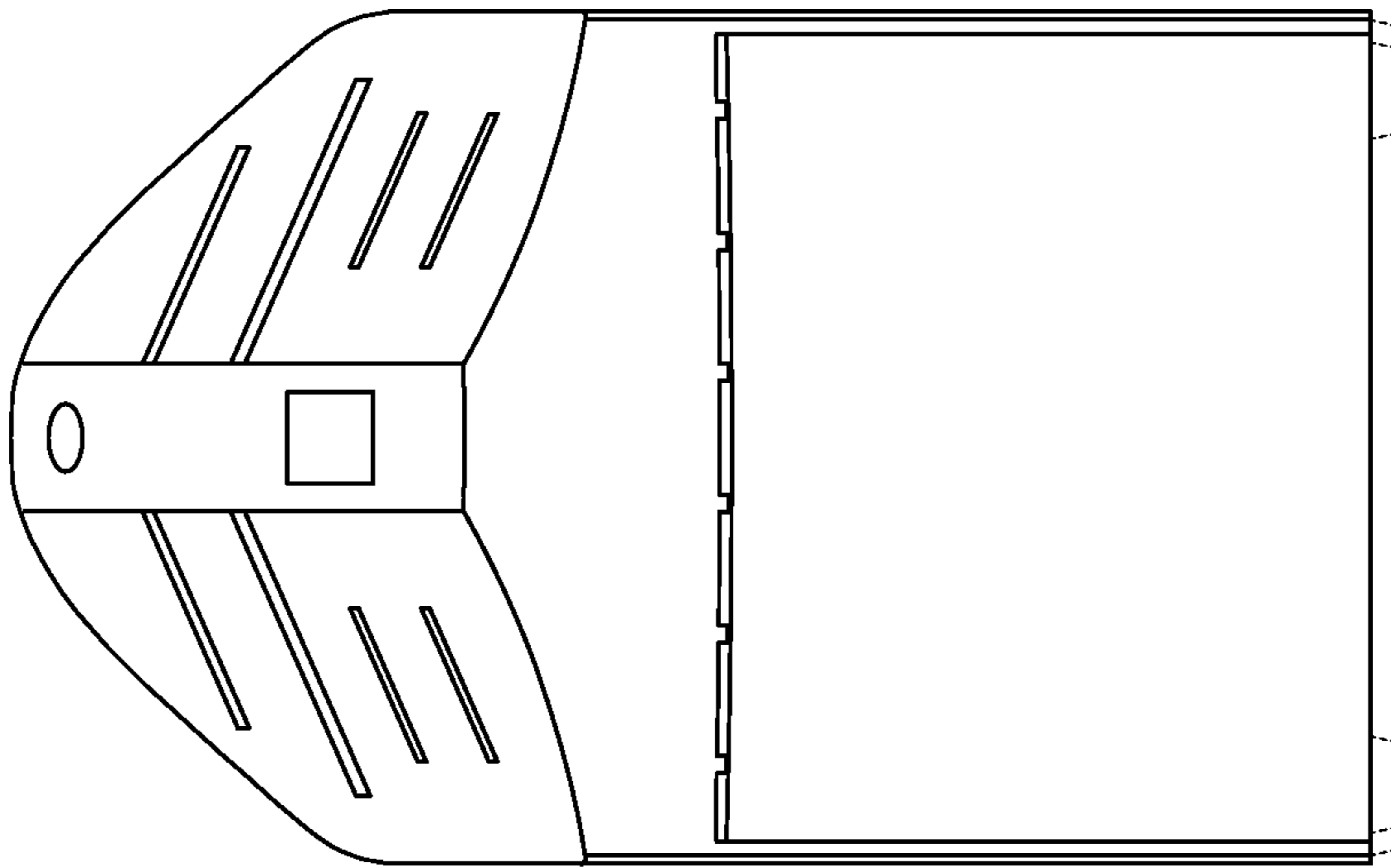


Fig. 2

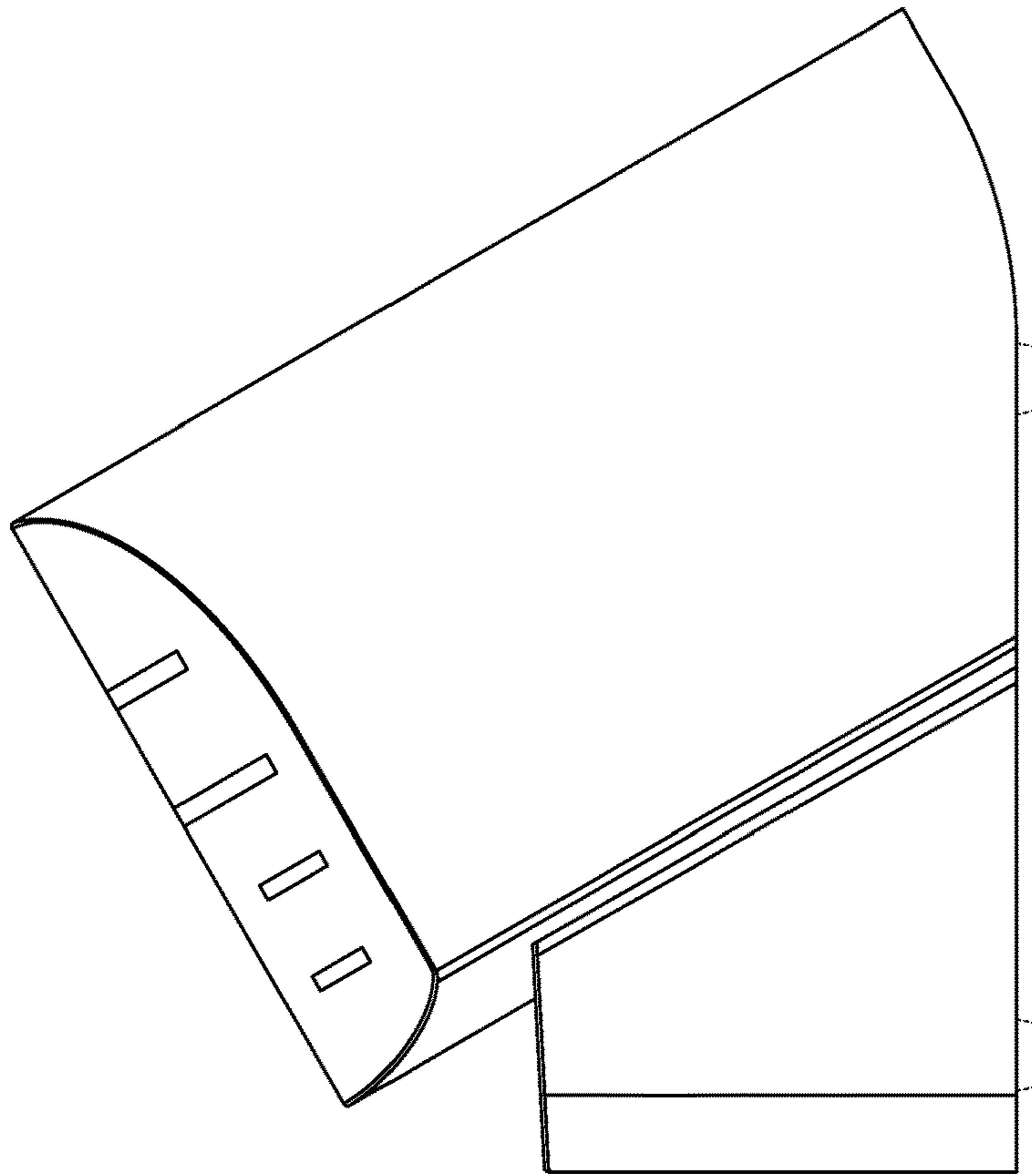


Fig. 4

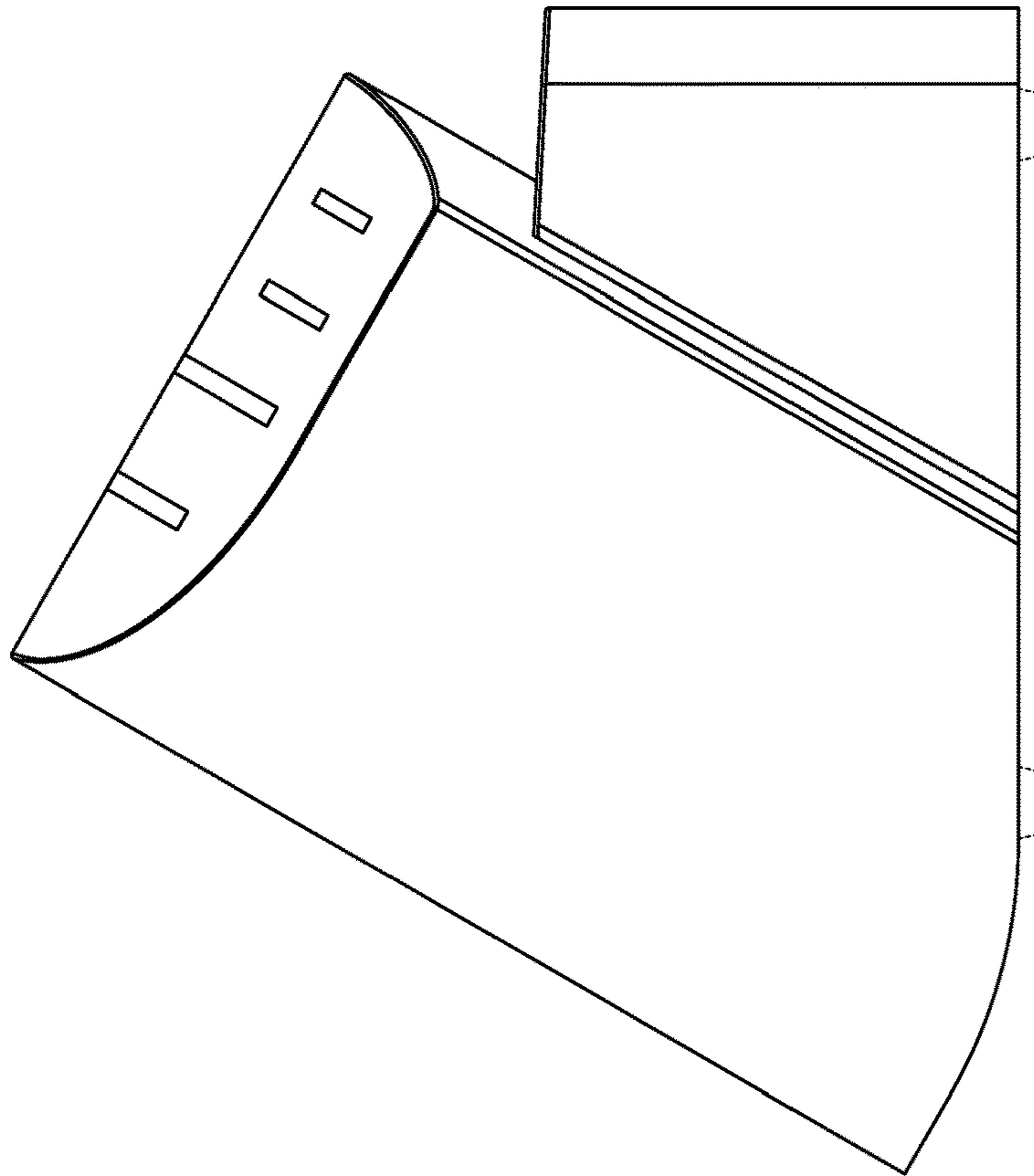


Fig. 5

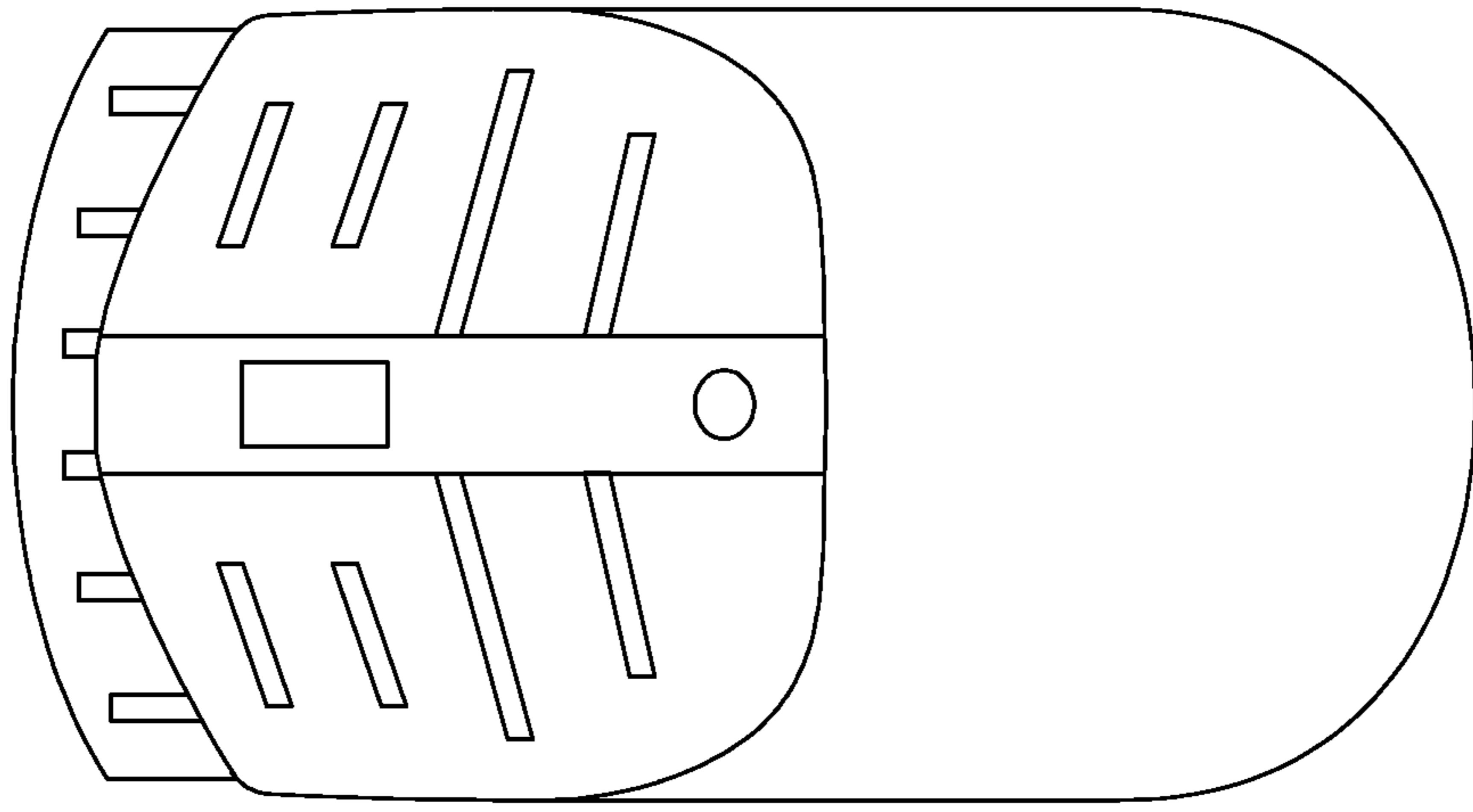


Fig. 7

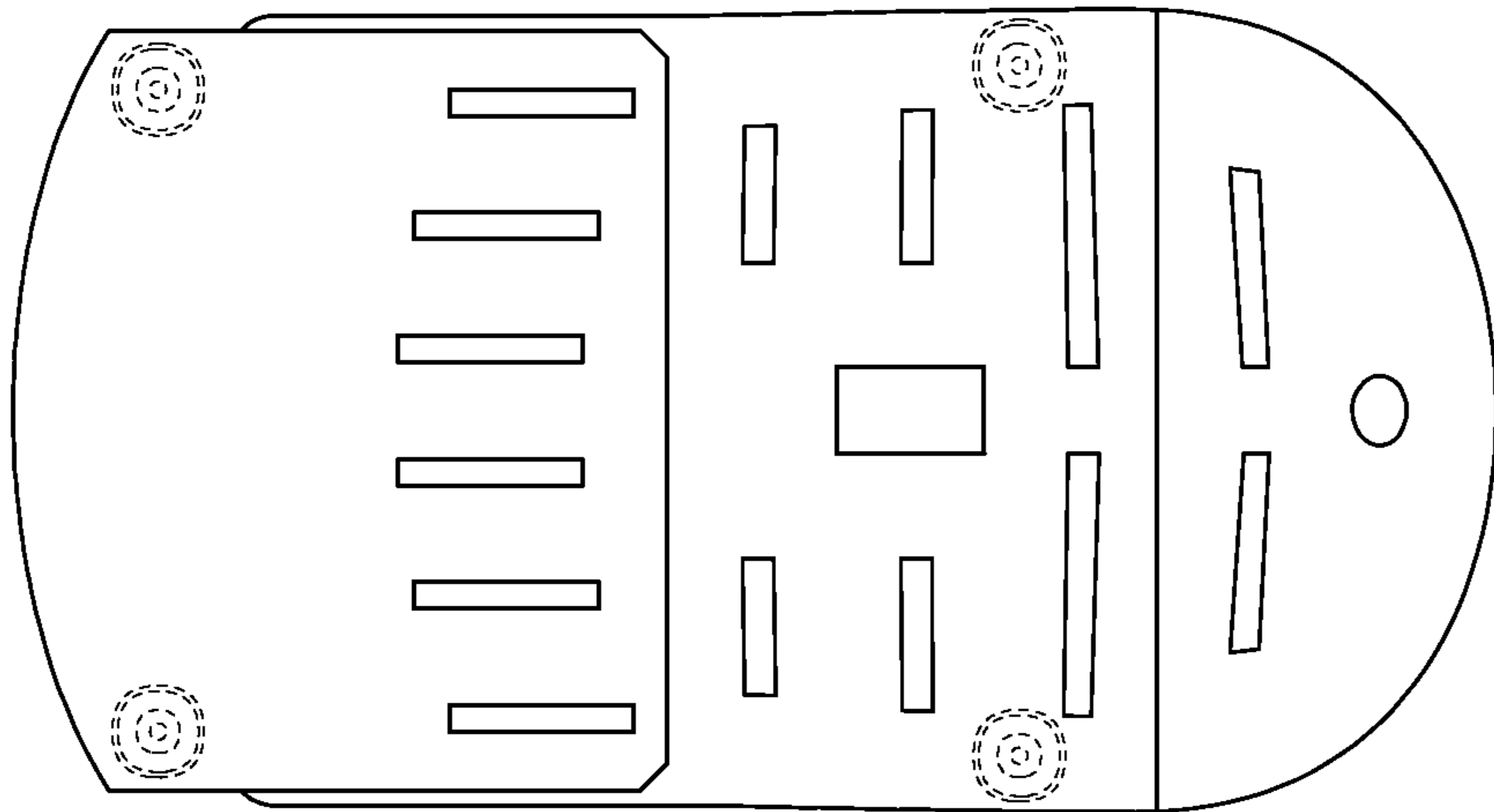


Fig. 6