



US00D955824S

(12) **United States Design Patent** (10) **Patent No.:** **US D955,824 S**
Seiders et al. (45) **Date of Patent:** **** Jun. 28, 2022**

(54) **INSULATING DEVICE**
(71) Applicant: **YETI Coolers, LLC**, Austin, TX (US)
(72) Inventors: **Roy Joseph Seiders**, Austin, TX (US);
Derek G. Sullivan, Austin, TX (US);
Erik Steven Larson, Austin, TX (US);
Alex Baires, Austin, TX (US)
(73) Assignee: **YETI Coolers, LLC**, Austin, TX (US)
(**) Term: **15 Years**
(21) Appl. No.: **29/813,788**
(22) Filed: **Nov. 1, 2021**

(56) **References Cited**
U.S. PATENT DOCUMENTS
210,994 A 12/1878 Carnagy
430,944 A 6/1890 Hammerl
(Continued)
FOREIGN PATENT DOCUMENTS
AU 201614228 S 8/2016
AU 201614229 S 8/2016
(Continued)
OTHER PUBLICATIONS

Stopper Dry Bag, <http://www.seatosummit.com/products/display/181>, published date unknown, but prior to the filing date of the present application, Sea To Summit, United States.
(Continued)

Related U.S. Application Data

(63) Continuation of application No. 29/783,999, filed on May 17, 2021, now Pat. No. Des. 942,221, which is
(Continued)

Primary Examiner — Terry A Wallace
(74) *Attorney, Agent, or Firm* — Banner & Witcoff, Ltd.

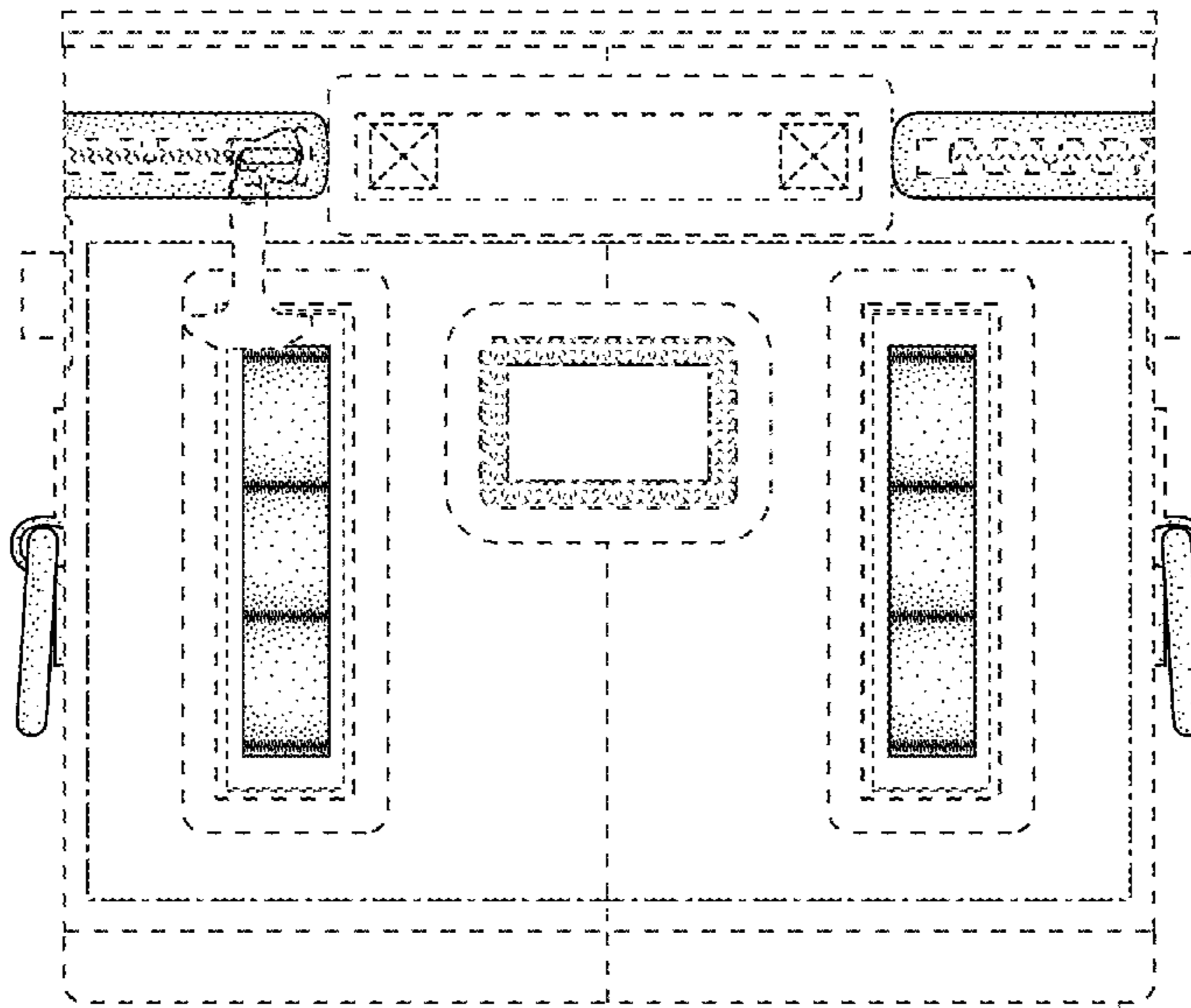
(57) **CLAIM**
The ornamental design for an insulating device, as shown and described.

(51) **LOC (13) Cl.** **07-01**
(52) **U.S. Cl.**
USPC **D7/607**
(58) **Field of Classification Search**
USPC D7/605–607, 709, 710; D3/232, 233,
D3/240, 241, 245, 246, 285, 289, 318
CPC F25D 3/08; F25D 3/02; F25D 3/04; F25D
3/06; F25D 3/14; F25D 3/107; F25D
2331/804; F25D 2331/801; B65D 81/38;
B65D 81/3813; B65D 81/3816; B65D
81/3818; B65D 81/382; B65D 81/3823;
B65D 81/3825; B65D 81/3827; B65D
81/383; B65D 81/3832; B65D 81/3834;
B65D 81/3848; B65D 81/3851; B65D
81/3853; B65D 81/3855; B65D 81/3858;
(Continued)

DESCRIPTION

FIG. 1 is a top, front, left perspective view of an insulating device showing our new design;
FIG. 2 is a front view thereof;
FIG. 3 is a rear view thereof;
FIG. 4 is a left-side view thereof;
FIG. 5 is a right-side view thereof;
FIG. 6 is a top view thereof; and,
FIG. 7 is a bottom view thereof.
The zig-zag broken lines near the top portion represent zipper teeth and the loop-patterned broken lines in FIG. 3 represent a loop patch area and both of which form no part of the claimed design. The uneven length broken lines and the even-length broken lines form no part of the claimed design.

1 Claim, 7 Drawing Sheets



Related U.S. Application Data

a continuation of application No. 29/750,198, filed on Sep. 11, 2020, now Pat. No. Des. 919,375, which is a continuation of application No. 29/703,040, filed on Aug. 23, 2019, now Pat. No. Des. 896,039, which is a continuation of application No. 29/625,827, filed on Nov. 13, 2017, now Pat. No. Des. 859,934, which is a continuation of application No. 29/553,981, filed on Feb. 5, 2016, now Pat. No. Des. 802,373.

(58) **Field of Classification Search**
 CPC B65D 81/386; B65D 81/3862; B65D 81/3874; A45C 11/20; A45C 3/00; A45C 2003/008

See application file for complete search history.

(56) **References Cited**

U.S. PATENT DOCUMENTS

1,512,549 A 10/1924 Labadie et al.
 1,587,655 A 6/1926 Kidwell
 1,895,278 A 1/1933 Crawford
 1,949,677 A 3/1934 Crawford
 2,119,621 A 6/1938 Ferrone
 2,253,598 A 8/1941 Africa
 2,289,254 A 7/1942 Eagles
 2,429,538 A 10/1947 Wood
 2,522,381 A 9/1950 Kramer
 2,556,066 A 6/1951 Cline
 2,570,300 A 10/1951 Acton
 2,575,191 A 11/1951 Seipp
 2,575,893 A 11/1951 Seaman
 2,623,566 A 12/1952 Kibler
 2,633,223 A 3/1953 Zeamer
 2,651,485 A 9/1953 Schutz
 2,661,785 A 12/1953 Daust
 2,685,385 A 8/1954 Kuss
 2,808,093 A 10/1957 Gilman
 2,883,041 A 4/1959 Pfeifer et al.
 2,954,891 A 10/1960 Imber
 2,960,136 A 11/1960 Ziff
 3,031,121 A 4/1962 Chase
 3,035,733 A 5/1962 Knapp
 3,066,846 A 12/1962 Domigan
 3,157,303 A 11/1964 Siegel
 3,203,517 A 8/1965 Stein
 3,454,197 A 7/1969 Thompson
 3,455,359 A 7/1969 Schweizer
 3,743,522 A 7/1973 Nagasawa et al.
 3,801,425 A 4/1974 Cook
 3,814,288 A 6/1974 Westrich
 3,834,044 A 9/1974 McAusland et al.
 3,905,511 A 9/1975 Groendal
 4,024,731 A 5/1977 Branscum
 4,125,212 A 11/1978 Courchesne
 4,127,155 A 11/1978 Hydorn
 4,143,695 A 3/1979 Hoehn
 4,194,627 A 3/1980 Christensen
 4,196,817 A 4/1980 Moser
 4,197,890 A 4/1980 Simko
 4,210,186 A 7/1980 Belenson
 4,211,091 A 7/1980 Campbell
 4,211,267 A 7/1980 Skovgaard
 4,248,366 A 2/1981 Christiansen
 D265,948 S 8/1982 Stark
 4,344,303 A 8/1982 Kelly, Jr.
 4,372,453 A 2/1983 Branscum
 4,375,828 A 3/1983 Biddison
 D268,879 S 5/1983 Outcalt
 4,399,668 A 8/1983 Williamson
 4,468,933 A 9/1984 Christopher
 4,484,682 A 11/1984 Crow
 4,513,895 A 4/1985 Leslie
 4,515,421 A 5/1985 Steffes
 4,521,910 A 6/1985 Keppel et al.

4,524,493 A 6/1985 Inamura
 4,537,313 A * 8/1985 Workman A45C 11/20
 383/110
 4,541,540 A 9/1985 Gretz et al.
 D281,122 S 10/1985 Bomes et al.
 D281,546 S 12/1985 Bradshaw
 D281,646 S 12/1985 Bomes et al.
 D282,602 S 2/1986 Allen
 4,571,338 A 2/1986 Okonogi et al.
 4,595,101 A 6/1986 Rivera
 4,596,370 A 6/1986 Adkins
 D284,620 S 7/1986 Calton
 4,598,746 A 7/1986 Rabinowitz
 4,637,063 A 1/1987 Sullivan et al.
 D289,128 S 4/1987 Bradshaw
 4,673,117 A 6/1987 Calton
 4,679,242 A 7/1987 Brockhaus
 4,708,254 A 11/1987 Byrns
 4,746,028 A 5/1988 Bagg
 4,759,077 A 7/1988 Leslie
 4,765,476 A 8/1988 Lee
 4,796,785 A 1/1989 Merritt
 4,796,937 A 1/1989 Andrea
 4,802,344 A 2/1989 Livingston et al.
 4,802,602 A 2/1989 Evans et al.
 4,805,776 A * 2/1989 Namgyal A45C 3/00
 383/110
 4,812,054 A 3/1989 Kirkendall
 4,815,999 A 3/1989 Ayon et al.
 4,817,769 A 4/1989 Saliba
 4,825,514 A 5/1989 Akeno
 4,826,060 A 5/1989 Hollingsworth
 4,829,603 A 5/1989 Schnoor et al.
 4,841,603 A 6/1989 Ragni
 4,858,444 A 8/1989 Scott
 4,867,214 A 9/1989 Fuller
 4,871,069 A 10/1989 Guimont
 4,886,183 A 12/1989 Fleming
 4,941,603 A 7/1990 Creamer et al.
 4,961,522 A 10/1990 Weber
 4,966,279 A 10/1990 Percy
 4,984,906 A 1/1991 Little
 4,986,089 A 1/1991 Raab
 4,989,418 A 2/1991 Hewlett
 5,004,091 A 4/1991 Natho et al.
 5,005,679 A 4/1991 Hjelle
 5,042,664 A 8/1991 Shyr et al.
 5,048,734 A 9/1991 Long
 5,062,557 A 11/1991 Mahvi et al.
 5,095,718 A 3/1992 Ormond et al.
 D328,550 S 8/1992 Mogil et al.
 5,143,188 A 9/1992 Robinet
 5,190,376 A 3/1993 Book
 5,216,900 A 6/1993 Jones
 5,221,016 A 6/1993 Karpal
 5,237,838 A 8/1993 Merritt-Munson
 5,244,136 A 9/1993 Collaso
 D339,979 S 10/1993 Wehrley
 D340,387 S 10/1993 Melk
 D340,621 S 10/1993 Melk
 5,253,395 A 10/1993 Yano
 D340,840 S 11/1993 Melk
 5,269,368 A 12/1993 Schneider et al.
 D343,992 S 2/1994 Melk
 5,295,365 A 3/1994 Redford
 5,297,870 A 3/1994 Weldon
 5,313,807 A 5/1994 Owen
 D347,971 S 6/1994 Krugman
 5,325,991 A 7/1994 Williams
 D349,428 S 8/1994 Krugman
 D351,533 S 10/1994 Lynam, Jr.
 5,354,131 A 10/1994 Mogil
 5,355,684 A 10/1994 Guice
 5,398,848 A 3/1995 Padamsee
 5,400,610 A * 3/1995 Macedo G01K 1/14
 383/110
 5,403,095 A 4/1995 Melk
 5,421,172 A 6/1995 Jones
 5,447,764 A 9/1995 Langford

(56)

References Cited

U.S. PATENT DOCUMENTS

D535,099	S	1/2007	Johansson et al.	D645,662	S	9/2011	Perez
D535,820	S	1/2007	Kamiya	8,016,090	B2	9/2011	McCoy et al.
7,160,028	B1	1/2007	Linday	8,043,004	B2	10/2011	Mogil
7,162,890	B2	1/2007	Mogil et al.	D648,532	S	11/2011	Sosnovsky
D539,033	S	3/2007	Cassegrain	8,061,159	B2	11/2011	Mogil et al.
D540,037	S	4/2007	Newson	D650,169	S	12/2011	Klifa
7,201,285	B2	4/2007	Beggins	8,079,451	B2	12/2011	Rothschild et al.
7,207,716	B2	4/2007	Buchanan et al.	8,096,442	B2	1/2012	Ramundi
7,219,814	B2	5/2007	Lown et al.	D659,998	S	5/2012	Austin
7,240,513	B1	7/2007	Conforti	8,176,749	B2	5/2012	LaMere et al.
D547,941	S	8/2007	Lucena	D662,316	S	6/2012	Nitkin
D548,459	S	8/2007	Harvey	8,191,747	B2	6/2012	Pruchnicki
D550,448	S	9/2007	Boje et al.	D664,261	S	7/2012	Kravitz et al.
7,264,134	B2	9/2007	Tulp	8,209,995	B2	7/2012	Kieling et al.
D557,667	S	12/2007	Kawamura et al.	D666,896	S	9/2012	Pinholster, Jr. et al.
7,302,810	B2	12/2007	McCrorry	D667,043	S	9/2012	Couch, III
D560,102	S	1/2008	Sumter	8,281,950	B2	10/2012	Potts et al.
7,313,927	B2	1/2008	Barker	8,292,119	B2	10/2012	Kenneally
7,344,028	B2	3/2008	Hanson	8,302,749	B2	11/2012	Melmon et al.
D566,484	S	4/2008	George	8,327,659	B2	12/2012	Winkler et al.
7,353,952	B2	4/2008	Swartz et al.	D673,363	S	1/2013	Crandall
D570,603	S	6/2008	Wu et al.	D673,772	S	1/2013	Munson et al.
D573,422	S	7/2008	Tagliati et al.	D674,246	S	1/2013	Scott et al.
D574,667	S	8/2008	Grabijas, III et al.	D674,664	S	1/2013	Collie
D578,401	S	10/2008	Perry et al.	8,424,319	B2	4/2013	Whewell, Jr.
D582,151	S	12/2008	Gonzalez	8,424,713	B2	4/2013	Bolland
D583,152	S	12/2008	Keeney	8,430,284	B2	4/2013	Broadbent et al.
7,481,065	B2	1/2009	Krieger	D682,635	S	5/2013	Boroski
D587,010	S	2/2009	Deck	D684,767	S	6/2013	Gerbi
7,527,430	B2	5/2009	Suskind	8,453,899	B1	6/2013	Calkin
D598,194	S	8/2009	Turvey et al.	D686,412	S	7/2013	Guichot
D599,550	S	9/2009	Turvey et al.	8,474,640	B2	7/2013	Armstrong
7,581,886	B2	9/2009	Nitti	8,516,848	B2	8/2013	White et al.
7,597,478	B2	10/2009	Pruchnicki et al.	D690,100	S	9/2013	Alfaks
D603,606	S	11/2009	Wang	8,544,678	B1	10/2013	Hughes
7,634,919	B2	12/2009	Bernhard, Jr. et al.	8,573,002	B2	11/2013	Ledoux et al.
D607,697	S	1/2010	Whitlock et al.	D695,568	S	12/2013	Hayes
D608,095	S	1/2010	Turvey et al.	8,622,235	B2	1/2014	Suchecki
D608,096	S	1/2010	Noble	D699,940	S	2/2014	Robert
D608,159	S	1/2010	Whitlock et al.	D699,941	S	2/2014	Robert
D610,795	S	3/2010	Dejadon	8,646,970	B2	2/2014	Mogil
D611,706	S	3/2010	Angles et al.	D701,041	S	3/2014	Burnett
D612,605	S	3/2010	Turvey et al.	D703,946	S	5/2014	Tweedie
7,669,436	B2 *	3/2010	Mogil A45C 11/20 62/457.7	8,720,739	B2	5/2014	Bollis
7,677,406	B2 *	3/2010	Maxson B65D 81/3823 220/592.2	8,777,045	B2	7/2014	Mitchell et al.
7,682,080	B2	3/2010	Mogil	D710,085	S	8/2014	Szewczyk
D617,560	S	6/2010	Wu	D711,096	S	8/2014	Hanna
7,730,739	B2	6/2010	Fuchs	D711,100	S	8/2014	Dingizian
D618,966	S	7/2010	Koehler et al.	D712,555	S	9/2014	Berg
D619,423	S	7/2010	Koehler et al.	8,827,109	B1	9/2014	Sheehan
D619,854	S	7/2010	Koehler et al.	8,844,756	B2	9/2014	Beyburg
D619,855	S	7/2010	Koehler et al.	D715,544	S	10/2014	Levine
7,757,878	B2	7/2010	Mogil et al.	8,857,654	B2	10/2014	Mogil et al.
7,762,294	B2	7/2010	Wang	D717,041	S	11/2014	Pulliam
D620,707	S	8/2010	Mogil	D718,053	S	11/2014	McFreen
D620,708	S	8/2010	Sanz	8,875,964	B1	11/2014	Vanderberg
D621,609	S	8/2010	Hasty	8,893,940	B2	11/2014	Green et al.
7,775,388	B2	8/2010	Murrer, III	D718,931	S	12/2014	Brundl
7,784,759	B2	8/2010	Farrell	D719,303	S	12/2014	Anderson
7,791,003	B2	9/2010	Lockhart et al.	8,899,071	B2	12/2014	Mogil et al.
7,811,620	B2	10/2010	Merrill et al.	D723,804	S	3/2015	Coleman
7,815,069	B1	10/2010	Bellofatto et al.	D725,908	S	4/2015	Zwetzig
D626,329	S	11/2010	Chapelier	D728,942	S	5/2015	Byham
D627,199	S	11/2010	Pruchnicki	D732,295	S	6/2015	Aafjes
7,841,207	B2	11/2010	Mogil et al.	D732,348	S	6/2015	Seiders et al.
D629,612	S	12/2010	Weldon	D732,349	S	6/2015	Seiders et al.
D630,844	S	1/2011	Wang et al.	D732,350	S	6/2015	Seiders et al.
7,874,177	B2	1/2011	Azamy	D732,899	S	6/2015	Seiders et al.
7,886,936	B2	2/2011	Helline	D734,643	S	7/2015	Boroski
7,900,816	B2	3/2011	Kastanek et al.	D734,992	S	7/2015	Boroski
D638,220	S	5/2011	Chu et al.	9,084,463	B2	7/2015	Merrill
D642,870	S	8/2011	Whitlock et al.	D738,108	S	9/2015	Adler et al.
7,988,006	B2	8/2011	Mogil et al.	D739,654	S	9/2015	Brouard
				9,138,033	B2	9/2015	Kojima et al.
				9,139,352	B2	9/2015	Seiders et al.
				9,146,051	B2	9/2015	Kamin et al.
				D743,699	S	11/2015	Wieden
				D744,786	S	12/2015	Bagwell
				D747,104	S	1/2016	Ford

(56)

References Cited

U.S. PATENT DOCUMENTS

9,226,558 B2	1/2016	Armstrong	D808,173 S	1/2018	Seiders et al.
D749,653 S	2/2016	Carnes	D808,175 S	1/2018	Seiders et al.
D750,140 S	2/2016	Cross	D808,655 S	1/2018	Seiders et al.
9,254,022 B2	2/2016	Meldeau et al.	D808,730 S	1/2018	Sullivan et al.
9,254,023 B2	2/2016	Su et al.	D809,869 S	2/2018	Seiders et al.
9,265,318 B1	2/2016	Williams et al.	D811,082 S	2/2018	Lehan
D752,347 S	3/2016	Seiders et al.	9,901,153 B2	2/2018	Nash
9,271,553 B2	3/2016	Ponx	D811,746 S	3/2018	Seiders et al.
9,272,475 B2	3/2016	Ranade et al.	D813,539 S	3/2018	Van Assche
9,290,313 B2	3/2016	De Lesseux et al.	D814,879 S	4/2018	Larson et al.
D752,860 S	4/2016	Barilaro et al.	D815,496 S	4/2018	Larson et al.
9,307,814 B2	4/2016	Pulliam	9,943,150 B2	4/2018	Morrow
9,314,069 B2	4/2016	Takazawa	D817,106 S	5/2018	Larson et al.
D756,109 S	5/2016	Hayashi	D817,107 S	5/2018	Larson et al.
D756,638 S	5/2016	Frisoni	D817,722 S	5/2018	Bradley
9,366,467 B2	6/2016	Kiedaisch et al.	D818,707 S	5/2018	Vevers et al.
9,375,061 B2	6/2016	Mosee	D819,966 S	6/2018	Yu
D760,494 S	7/2016	Harvey-Pankey	D819,967 S	6/2018	Carter et al.
D761,561 S	7/2016	Cheng	D821,094 S	6/2018	Dragicevic
D762,378 S	8/2016	Domotor et al.	D821,825 S	7/2018	Sullivan et al.
D762,384 S *	8/2016	Boroski D3/283	D822,987 S	7/2018	Seiders et al.
D763,570 S	8/2016	Potts	D822,997 S	7/2018	Seiders et al.
D764,791 S	8/2016	Patel	D822,998 S	7/2018	Seiders et al.
D764,873 S	8/2016	Collie	D822,999 S	7/2018	Seiders et al.
9,408,445 B2	8/2016	Mogil et al.	D823,601 S	7/2018	Seiders et al.
D765,395 S	9/2016	Sanz	D823,602 S	7/2018	Seiders et al.
D765,967 S	9/2016	Boroski	10,010,146 B2	7/2018	Moore
D766,571 S	9/2016	Boroski	10,010,162 B1	7/2018	Woods et al.
D768,981 S	10/2016	Kliot	10,029,842 B2	7/2018	Seiders et al.
D768,987 S	10/2016	Blumenfeld	D824,660 S	8/2018	Ross
D769,616 S	10/2016	Keene	D824,666 S	8/2018	Carter et al.
D770,761 S	11/2016	Deioma et al.	D824,671 S	8/2018	Pennington
D770,763 S	11/2016	Joo et al.	D824,731 S	8/2018	Sullivan et al.
D771,372 S	11/2016	Kelly et al.	D827,299 S	9/2018	Vickery
D772,562 S	11/2016	Petre	D828,112 S	9/2018	Furneaux et al.
D773,813 S	12/2016	Jakubowski	D828,728 S	9/2018	Jacobsen
9,545,134 B1	1/2017	Tan	D829,244 S	9/2018	Sullivan et al.
D778,045 S	2/2017	Ruddis	D830,048 S	10/2018	McQueeney
D778,609 S	2/2017	Gardner et al.	D830,132 S	10/2018	Sullivan et al.
D782,820 S	4/2017	Thompson	D830,133 S	10/2018	Sullivan et al.
D784,010 S	4/2017	Dumas	D830,134 S	10/2018	Sullivan et al.
9,630,750 B2	4/2017	Gardner et al.	D832,653 S	11/2018	Waskow et al.
D785,325 S	5/2017	Samrelius et al.	10,138,048 B2	11/2018	Mitchell et al.
D785,930 S	5/2017	Sassi	D834,815 S	12/2018	Barlier
D786,559 S	5/2017	Seiders et al.	D834,817 S	12/2018	Hoppe et al.
D786,560 S	5/2017	Seiders et al.	D834,895 S	12/2018	Triska et al.
D786,561 S	5/2017	Seiders et al.	D835,473 S	12/2018	Jacobsen
D786,562 S	5/2017	Seiders et al.	D835,949 S	12/2018	Triska et al.
D787,187 S	5/2017	Seiders et al.	D835,950 S	12/2018	Jacobsen
D789,080 S	6/2017	Caffagni	10,143,282 B2	12/2018	Seiders et al.
D789,081 S	6/2017	Sassi	10,154,714 B2	12/2018	Wang
D789,082 S	6/2017	Barilaro et al.	D836,996 S	1/2019	Jacobsen
D792,167 S	7/2017	Bradley	D836,997 S	1/2019	Jacobsen
D792,486 S	7/2017	Li et al.	D836,998 S	1/2019	Jacobsen
D793,089 S	8/2017	Jackson	D836,999 S	1/2019	Jacobsen
D796,185 S	9/2017	Masten	D837,000 S	1/2019	Jacobsen
D797,454 S	9/2017	Seiders et al.	D837,001 S	1/2019	Jacobsen
D797,455 S	9/2017	Seiders et al.	D838,978 S	1/2019	Lee
D798,670 S	10/2017	Seiders et al.	D839,682 S	2/2019	Jacobsen
D799,276 S	10/2017	Seiders et al.	D840,194 S	2/2019	Furneaux et al.
D799,277 S	10/2017	Seiders et al.	D840,689 S	2/2019	Seiders et al.
D799,823 S	10/2017	Schartle	D840,761 S	2/2019	Seiders et al.
D799,905 S	10/2017	Seiders et al.	D840,762 S	2/2019	Seiders et al.
D800,443 S	10/2017	Burton et al.	D840,763 S	2/2019	Seiders et al.
D800,444 S	10/2017	Burton et al.	D840,764 S	2/2019	Seiders et al.
D801,123 S	10/2017	Seiders et al.	D841,325 S	2/2019	Buynar
9,796,517 B2	10/2017	Seiders et al.	D842,048 S	3/2019	Wells
D802,028 S	11/2017	Li	10,226,110 B2	3/2019	Hayashi
D802,029 S	11/2017	Li	D844,321 S	4/2019	Li
D802,373 S	11/2017	Seiders et al.	D844,975 S	4/2019	Munie et al.
D802,630 S	11/2017	Li et al.	D844,976 S	4/2019	Munie et al.
9,809,376 B2	11/2017	Mitchell et al.	D844,977 S	4/2019	Munie et al.
D805,851 S	12/2017	Sullivan et al.	D844,978 S	4/2019	Munie et al.
9,840,178 B2	12/2017	Baker	D844,979 S	4/2019	Munie et al.
D808,157 S	1/2018	Viger et al.	D844,992 S	4/2019	Seiders et al.
			D845,625 S	4/2019	Barlier
			D846,275 S	4/2019	Barlier
			10,244,841 B2	4/2019	Hayashi
			D847,500 S	5/2019	Lagerfeld

(56)

References Cited

U.S. PATENT DOCUMENTS

D847,501 S	5/2019	Carter et al.	D920,678 S	6/2021	Seiders et al.
D848,219 S	5/2019	Munie et al.	2002/0012480 A1	1/2002	Konno
D848,220 S	5/2019	Munie et al.	2002/0197369 A1	12/2002	Modler
D848,221 S	5/2019	Munie et al.	2003/0070447 A1	4/2003	Tanaka
D848,222 S	5/2019	Munie et al.	2003/0080133 A1	5/2003	Butler
D848,223 S	5/2019	Munie et al.	2003/0106895 A1	6/2003	Kalal
D848,798 S	5/2019	Munie et al.	2003/0136702 A1	7/2003	Redzisz et al.
D849,398 S	5/2019	Tan	2003/0149461 A1	8/2003	Johnson
D849,406 S	5/2019	Dehmoubed et al.	2003/0175394 A1	9/2003	Modler
D849,486 S	5/2019	Munie et al.	2004/0004111 A1	1/2004	Cardinale
10,279,980 B2	5/2019	James, Jr.	2004/0028296 A1	2/2004	Meli
D850,107 S	6/2019	Dehmoubed et al.	2004/0035143 A1*	2/2004	Mogil A45C 13/02 383/110
D851,404 S	6/2019	Seiders et al.	2004/0074936 A1*	4/2004	McDonald A45C 11/20 206/541
D851,937 S	6/2019	Fuller	2004/0094589 A1	5/2004	Fricano
10,314,377 B2	6/2019	Stephens	2004/0136621 A1	7/2004	Mogil
10,322,867 B2	6/2019	Furneaux et al.	2004/0144783 A1	7/2004	Anderson et al.
D853,728 S	7/2019	Seiders et al.	2004/0149600 A1	8/2004	Wolter et al.
D855,982 S	8/2019	McGinn	2004/0164084 A1	8/2004	Cooper
10,384,855 B2	8/2019	Seiders et al.	2004/0237266 A1	12/2004	Wang
D859,812 S	9/2019	Seiders et al.	2005/0016895 A1	1/2005	Glenn
D859,813 S	9/2019	Seiders et al.	2005/0034947 A1	2/2005	Nykoluk
D859,814 S	9/2019	Seiders et al.	2005/0045520 A1	3/2005	Johnson
D859,815 S	9/2019	Seiders et al.	2005/0045521 A1	3/2005	Johnson et al.
D859,934 S	9/2019	Seiders et al.	2005/0056669 A1	3/2005	Lavelle
D860,634 S	9/2019	Seiders et al.	2005/0072181 A1	4/2005	Mogil et al.
10,413,030 B1	9/2019	Douglas et al.	2005/0133399 A1	6/2005	Fidrych
D861,335 S	10/2019	Barlier	2005/0155891 A1	7/2005	Chen
D861,338 S	10/2019	Seiders et al.	2005/0183446 A1	8/2005	Fuchs
D862,065 S	10/2019	Boys et al.	2005/0196510 A1	9/2005	Walters
D862,177 S	10/2019	Seiders et al.	2005/0205459 A1*	9/2005	Mogil B65D 81/3858 206/545
D862,528 S	10/2019	Sullivan et al.	2005/0262871 A1	12/2005	Bailey-Weston
D866,186 S	11/2019	Seiders et al.	2005/0263528 A1	12/2005	Maldonado et al.
D867,823 S	11/2019	Jacobsen	2005/0279124 A1	12/2005	Maldonado
D868,544 S	12/2019	Lin et al.	2006/0007266 A1	1/2006	Silverbrook
D869,146 S	12/2019	Jacobsen	2006/0010660 A1	1/2006	Stenhall
D871,074 S	12/2019	Seiders et al.	2006/0021376 A1	2/2006	Scroggs
D871,765 S	1/2020	Seiders et al.	2006/0102497 A1	5/2006	Wulf
D872,993 S	1/2020	Gu	2006/0151533 A1	7/2006	Simunovic et al.
D873,022 S	1/2020	Seip et al.	2006/0201979 A1	9/2006	Achilles
D877,514 S	3/2020	Seiders et al.	2006/0239593 A1	10/2006	Fidrych
D880,254 S	4/2020	Jacobsen	2006/0240159 A1	10/2006	Cash et al.
D880,862 S	4/2020	Seiders et al.	2006/0248902 A1	11/2006	Hunnell
D881,561 S	4/2020	He	2007/0006430 A1	1/2007	Issler
D882,956 S	5/2020	Seiders et al.	2007/0012593 A1	1/2007	Kitchens et al.
D886,537 S	6/2020	Jacobsen	2007/0148305 A1	6/2007	Sherwood et al.
D886,538 S	6/2020	Jacobsen	2007/0148307 A1	6/2007	Sherwood et al.
D886,539 S	6/2020	Jacobsen	2007/0164063 A1	7/2007	Concepcion
D887,699 S	6/2020	Bullock et al.	2007/0199966 A1	8/2007	Korchmar
10,736,391 B2	8/2020	Seiders et al.	2007/0217187 A1	9/2007	Blakely et al.
D894,692 S	9/2020	Herold	2007/0221693 A1	9/2007	Moore
D896,039 S	9/2020	Seiders et al.	2007/0237432 A1*	10/2007	Mogil A45C 7/0077 383/38
D896,591 S	9/2020	Seiders et al.	2007/0261977 A1	11/2007	Sakai
D897,780 S	10/2020	Seiders et al.	2007/0274613 A1	11/2007	Pruchnicki et al.
D899,197 S	10/2020	Seiders et al.	2007/0278234 A1	12/2007	Mogil
D899,865 S	10/2020	Shi	2007/0290816 A1	12/2007	Bedard
10,806,225 B2	10/2020	Sitnikova	2008/0038424 A1	2/2008	Krusemann
D902,664 S	11/2020	Munie et al.	2008/0073364 A1	3/2008	Simmons
10,827,808 B2	11/2020	Seiders et al.	2008/0105282 A1	5/2008	Fernholz et al.
D903,305 S	12/2020	Sullivan et al.	2008/0128421 A1	6/2008	Ulbrand et al.
D904,011 S	12/2020	Sullivan et al.	2008/0160149 A1	7/2008	Nasrallah et al.
D904,031 S	12/2020	Chandler	2008/0164265 A1	7/2008	Conforti
D904,758 S	12/2020	Bullock et al.	2008/0178865 A1	7/2008	Retterer
D904,830 S	12/2020	Meda et al.	2008/0189918 A1	8/2008	Kusayama
D906,058 S	12/2020	Sullivan et al.	2008/0245096 A1	10/2008	Hanson et al.
D907,968 S	1/2021	Sullivan et al.	2008/0260303 A1	10/2008	De Lesseux et al.
D907,969 S	1/2021	Sullivan et al.	2008/0264925 A1	10/2008	Lockhart et al.
D909,063 S	2/2021	Loudenslager et al.	2008/0305235 A1	12/2008	Gao et al.
D910,382 S	2/2021	Rane et al.	2009/0052809 A1	2/2009	Sampson
10,981,716 B2	4/2021	Seiders et al.	2009/0080808 A1	3/2009	Hagen
D918,570 S	5/2021	Seiders et al.	2009/0095757 A1	4/2009	Ramundi
D918,571 S	5/2021	Davis	2009/0242619 A1	10/2009	Blomberg
D919,298 S	5/2021	Munie	2009/0280229 A1	11/2009	Constantine et al.
D919,375 S	5/2021	Seiders et al.	2009/0301511 A1	12/2009	Vinci
D919,376 S	5/2021	Seiders et al.	2009/0311378 A1	12/2009	Wilaschin et al.
D920,677 S	6/2021	Tertoolen	2009/0317514 A1	12/2009	Sizer

(56)

References Cited

U.S. PATENT DOCUMENTS

2010/0005827 A1 1/2010 Winkler
 2010/0047423 A1 2/2010 Kruesemann et al.
 2010/0059199 A1 3/2010 Court
 2010/0071395 A1 3/2010 Ledoux et al.
 2010/0075006 A1 3/2010 Semenza
 2010/0102057 A1 4/2010 Long et al.
 2010/0108694 A1 5/2010 Sedlbauer et al.
 2010/0136203 A1 6/2010 Sakata et al.
 2010/0143567 A1 6/2010 Ye et al.
 2010/0224660 A1 9/2010 Gleason
 2010/0269311 A1 10/2010 Jacobsen
 2010/0284631 A1 11/2010 Lee
 2010/0284634 A1 11/2010 Hadley
 2011/0003975 A1 1/2011 Arase et al.
 2011/0005042 A1 1/2011 Thomas et al.
 2011/0005739 A1 1/2011 Finney et al.
 2011/0030415 A1 2/2011 Breyburg et al.
 2011/0097442 A1 4/2011 Harju et al.
 2011/0108562 A1 5/2011 Lyons
 2011/0155611 A1 6/2011 Armstrong
 2011/0167863 A1 7/2011 Herrbold
 2011/0182532 A1 7/2011 Baltus
 2011/0191933 A1 8/2011 Gregory et al.
 2011/0284601 A1 11/2011 Pullin
 2011/0311166 A1 12/2011 Pascua
 2012/0106130 A1 5/2012 Beaudette
 2012/0137637 A1 6/2012 Gillis
 2012/0180184 A1 7/2012 Crye
 2012/0181211 A1 7/2012 Charlebois
 2012/0187138 A1 7/2012 Vasquez et al.
 2012/0261445 A1 10/2012 Demsky
 2012/0294550 A1 11/2012 Hassman et al.
 2012/0311828 A1 12/2012 Nir
 2012/0318808 A1 12/2012 McCormick
 2013/0014355 A1 1/2013 Lee
 2013/0043285 A1 2/2013 Cordray
 2013/0174600 A1 7/2013 Sarcinella
 2013/0200083 A1 8/2013 Cunningham
 2013/0216158 A1 8/2013 Meldeau et al.
 2013/0243354 A1 9/2013 Lytle
 2013/0264350 A1 10/2013 Handlon et al.
 2013/0294712 A1 11/2013 Seuk
 2013/0341338 A1 12/2013 Mitchell et al.
 2014/0023295 A1 1/2014 Wagner
 2014/0034543 A1 2/2014 Grubstein
 2014/0138378 A1 5/2014 Lequeux
 2014/0151172 A1 6/2014 Diaz
 2014/0226920 A1 8/2014 Passavia
 2014/0248003 A1 9/2014 Mogil et al.
 2014/0254956 A1 9/2014 Buell, III
 2014/0270590 A1 9/2014 Ostroy
 2014/0304954 A1 10/2014 La Rocca et al.
 2014/0345314 A1 11/2014 Cox et al.
 2014/0353347 A1 12/2014 Fischer
 2014/0359978 A1 12/2014 Wang
 2014/0366336 A1 12/2014 Chung
 2014/0369629 A1 12/2014 De La Fuente Lara
 2015/0008242 A1 1/2015 Kpabar, Jr.
 2015/0114024 A1 4/2015 Grepper
 2015/0114978 A1 4/2015 James, Jr.
 2015/0136796 A1 5/2015 Muehlhauser
 2015/0143672 A1 5/2015 Konaka et al.
 2015/0164153 A1 6/2015 Tsai
 2015/0175338 A1 6/2015 Culp et al.
 2015/0201722 A1 7/2015 Brouard
 2015/0225164 A1 8/2015 Seiders et al.
 2015/0296945 A1 10/2015 Douglas
 2015/0305402 A1 10/2015 Bourgoin
 2015/0335202 A1 11/2015 Wisner et al.
 2015/0353263 A1 12/2015 Seiders et al.
 2016/0058142 A1 3/2016 Buynar
 2016/0066817 A1 3/2016 Hannes
 2016/0095405 A1 4/2016 Wang
 2016/0100661 A1 4/2016 Redzisz et al.
 2016/0100673 A1 4/2016 Demsky

2016/0101924 A1* 4/2016 Mitchell A45C 7/0077
 220/592.2

2016/0107801 A1 4/2016 Armstrong
 2016/0107816 A1 4/2016 Larpenteur et al.
 2016/0198812 A1 7/2016 Tan
 2016/0198901 A1 7/2016 De Lesseux et al.
 2016/0221722 A1 8/2016 Burke et al.
 2016/0236849 A1 8/2016 Seiders et al.
 2016/0255943 A1 9/2016 Houston et al.
 2016/0257479 A1 9/2016 Seiders et al.
 2016/0338462 A1 11/2016 Hayashi
 2016/0338908 A1 11/2016 Rice et al.
 2016/0355319 A1 12/2016 Stephens
 2017/0036844 A1 2/2017 Seiders et al.
 2017/0066559 A1 3/2017 Kim et al.
 2017/0071304 A1 3/2017 Wang
 2017/0071305 A1 3/2017 Wang
 2017/0099920 A1 4/2017 Bailey
 2017/0119116 A1 5/2017 Bradley
 2017/0121059 A1 5/2017 Faris
 2017/0137205 A1 5/2017 Graf et al.
 2017/0208907 A1 7/2017 Chung
 2017/0210542 A1 7/2017 Seiders et al.
 2017/0225872 A1 8/2017 Collie
 2017/0265604 A1 9/2017 Martinson et al.
 2017/0280937 A1 10/2017 Mogil et al.
 2018/0016084 A1 1/2018 Xia et al.
 2018/0078008 A1 3/2018 Sturm
 2018/0098607 A1 4/2018 Seiders et al.
 2018/0162626 A1 6/2018 Munie et al.
 2018/0220760 A1 8/2018 Lin
 2018/0229911 A1 8/2018 Luo
 2018/0235324 A1 8/2018 Gordon
 2018/0242701 A1 8/2018 Seiders et al.
 2018/0263346 A1 9/2018 Stephens
 2018/0279733 A1 10/2018 Young et al.
 2018/0317620 A1 11/2018 Larson et al.
 2018/0360172 A1 12/2018 Chou
 2018/0370710 A1 12/2018 Luo
 2019/0008256 A1 1/2019 Basham
 2019/0037976 A1 2/2019 Cheng
 2019/0071238 A1 3/2019 Seiders et al.
 2019/0077577 A1 3/2019 Brandes
 2019/0133281 A1 5/2019 Munie et al.
 2019/0142116 A1 5/2019 Cheng
 2019/0142117 A1 5/2019 Myerscough et al.
 2019/0170422 A1 6/2019 Dexter
 2020/0029658 A1 1/2020 Zhang
 2020/0037711 A1 2/2020 Kayahara et al.
 2020/0172320 A1 6/2020 Dong

FOREIGN PATENT DOCUMENTS

AU 201614230 S 8/2016
 BE 1015808 A6 9/2005
 BR 302019001991-0001 10/2019
 CA 2243820 A1 1/2000
 CA 89737 A 6/2000
 CA 2300014 A1 8/2001
 CA 2327764 A1 6/2002
 CA 2433251 A1 12/2004
 CA 2483802 A1 4/2006
 CA 2498796 A1 9/2006
 CA 2499291 A1 9/2006
 CA 2503473 A1 10/2006
 CA 2548064 A1 11/2007
 CA 2549327 A1 11/2007
 CA 2633223 A1 12/2009
 CA 2782668 A1 12/2013
 CA 163677 A 6/2016
 CN 2125339 U 12/1992
 CN 2188899 Y 2/1995
 CN 2207742 Y 9/1995
 CN 2296114 Y 11/1998
 CN 1832826 A 9/2006
 CN 1883333 A 12/2006
 CN 3650531 5/2007
 CN 201062136 Y 5/2008
 CN 201351017 Y 11/2009

(56)

References Cited

FOREIGN PATENT DOCUMENTS

CN	201948200	U	8/2011	EM	001067250-0003	2/2009
CN	101500900	B	9/2011	EM	001188460-0003	2/2010
CN	102232160	A	11/2011	EM	001188460-0004	2/2010
CN	202143500	U	2/2012	EM	001909490-0001	8/2011
CN	301956022		6/2012	EM	001952722-0008	11/2011
CN	302004566	S	7/2012	EM	002073452-0001	8/2012
CN	102717977	A	10/2012	EM	002085308-0003	8/2012
CN	302137314		10/2012	EM	002163527-0017	1/2013
CN	202619972	U	12/2012	EM	002182642-0001	2/2013
CN	202635944	U	1/2013	EM	002225706-0001	5/2013
CN	202807322	U	3/2013	EM	002262436-0001	7/2013
CN	202959175	U	6/2013	EM	002264697-0002	7/2013
CN	302500079	S	7/2013	EM	002284729-0004	8/2013
CN	302554919	S	9/2013	EM	002322552-0001	10/2013
CN	103385657	A	11/2013	EM	002476853-0001	6/2014
CN	302623771		11/2013	EM	002476853-0002	6/2014
CN	302623775		11/2013	EM	002530519-0001	9/2014
CN	302738897	S	2/2014	EM	002605345-0004	12/2014
CN	302744932	S	2/2014	EM	002609404-0001	1/2015
CN	302746176		2/2014	EM	002676536-0001	6/2015
CN	302769710		3/2014	EM	002745190-0001	9/2015
CN	103763994	A	4/2014	EM	003117324-0009	5/2016
CN	302868215		7/2014	EM	003329929-0001	8/2016
CN	302877656		7/2014	EM	003409044-0008	10/2016
CN	104085612	A	10/2014	EM	003504331-0027	12/2016
CN	302956550		10/2014	EM	003733021-0001	2/2017
CN	204091227	U	1/2015	EM	004100048-0001	9/2017
CN	204120419	U	1/2015	EM	004100048-0002	9/2017
CN	303100086		2/2015	EM	003328608-0009	2/2019
CN	104709603	A	6/2015	EM	005954534-0001	3/2019
CN	204444667	U	7/2015	EM	005954534-0002	3/2019
CN	204548946	U	8/2015	EM	005954534-0003	3/2019
CN	303342902		8/2015	EM	005954534-0004	3/2019
CN	204763894	U	11/2015	EM	007558580-0001	5/2020
CN	204802380	U	11/2015	EM	008206833-0014	10/2020
CN	303459386		11/2015	EM	008206833-0015	10/2020
CN	105231621	A	1/2016	EM	008206833-0016	10/2020
CN	105520325	A	4/2016	EM	008149702-0001	11/2020
CN	105819110	A	8/2016	EM	008149702-0002	11/2020
CN	304154180		6/2017	EM	008149702-0003	11/2020
CN	304181831		6/2017	EM	006820619-0001	12/2020
CN	304207295		7/2017	EM	008306195-0001	12/2020
CN	304259949		8/2017	EM	008592307-0001	7/2021
CN	304342577		11/2017	EP	0037545 A2	10/1981
CN	304373532		11/2017	EP	0082131 A2	6/1983
CN	304527075		3/2018	EP	85534 A1	8/1983
CN	304785791	S	8/2018	EP	0158634 A1	10/1985
CN	304906858		11/2018	EP	0174159 A2	3/1986
CN	208259266	U	12/2018	EP	0238932 A1	9/1987
CN	305025150	S	2/2019	EP	1386557 B1	4/2007
CN	305033965	S	2/2019	EP	003811264-0010	3/2017
CN	305272180	S	7/2019	EP	003841857-0002	4/2017
CN	209807329	U	12/2019	EP	004122430-0001	8/2017
CN	305527294	S	1/2020	EP	004162337-0001	9/2017
CN	305770022	S	5/2020	EP	004162337-0002	9/2017
CN	305873216	S	6/2020	EP	004162337-0003	9/2017
CN	305881796	S	6/2020	EP	004162337-0004	9/2017
CN	305916378	S	7/2020	EP	004162337-0005	9/2017
CN	306245278	S	12/2020	EP	004162337-0006	9/2017
CN	306245283	S	12/2020	EP	004424059-0002	10/2017
CN	306264645	S	1/2021	EP	004417749-0003	11/2017
CN	306365124	S	3/2021	EP	004494086-0016	11/2017
CN	306365279	S	3/2021	EP	004494086-0017	11/2017
CN	306765257	S	5/2021	EP	002719245-0001	1/2018
CN	306616705	S	6/2021	EP	005269248-0002	5/2018
CN	306624319	S	6/2021	EP	005303559-0001	7/2018
CN	306657146	S	7/2021	EP	005303559-0003	7/2018
CN	306674956	S	7/2021	ES	D0530973-34	1/2020
DE	3539626	A1	5/1987	FR	1269009 A	8/1961
DE	9309197	U1	11/1993	FR	2440886 A1	6/1980
DE	20002689	U1	8/2000	FR	20182961-001	9/2018
DE	202011050174	U1	7/2011	GB	191415563 A	6/1915
DE	202013101115	U1	3/2013	GB	1600133 A	10/1981
DE	402018000462-0021		9/2018	GB	2249717 A	5/1992
EM	000122668-0002		5/2004	GB	2023549 A	9/1992
				GB	2282874 A	4/1995
				GB	2335972 A	10/1999
				GB	3004135	9/2002
				GB	3006367	10/2002

(56)

References Cited

FOREIGN PATENT DOCUMENTS

GB	6028395	2/2018
GB	9008149702-0001	8/2020
GB	9008149702-0002	8/2020
GB	9008149702-0003	8/2020
GB	9008306195-0001	12/2020
JP	11051532	2/1999
JP	3275477 B2	4/2002
JP	D1160335	12/2002
JP	2003026258 A	1/2003
JP	D1213384	8/2004
JP	D1242111	6/2005
JP	2010023926 A	2/2010
JP	D1445624	7/2012
JP	D1469606	5/2013
JP	D1531414	8/2015
JP	D1543325	8/2015
JP	D1658594	4/2020
KR	20020027739 A	4/2002
KR	30-0311990	11/2002
KR	20040092730 A	11/2004
KR	30-0467684	11/2007
KR	101282512 B1	7/2013
KR	300778570.0000	1/2015
KR	300808669.0000	8/2015
KR	300835242.0000	1/2016
KR	300853718.0000	5/2016
KR	300967041.0000	8/2018
KR	300968949.0000	8/2018
KR	300978269.0000	10/2018
KR	300982993.0000	11/2018
KR	300984157.0000	12/2018
KR	200488239 Y1	1/2019
KR	300990517.0000	1/2019
KR	300990523.0000	1/2019
KR	301004401.0000	4/2019
KR	301062695.0000	6/2020
KR	301084294.0000	11/2020
KR	301108516.0000	5/2021
KR	3020210000796	7/2021
KR	301123726.0000	8/2021
TW	M572678 U	1/2019
WO	9524146 A2	9/1995
WO	9812954 A1	4/1998
WO	02058500 A1	8/2002
WO	2006007266 A2	1/2006
WO	2006058538 A1	6/2006
WO	2007016092 A2	2/2007
WO	2010106296 A2	9/2010
WO	2010120199 A1	10/2010
WO	2012003543 A1	1/2012
WO	2014033450 A1	3/2014
WO	2014066026 A1	5/2014
WO	2016066817 A1	5/2016
WO	2017091761 A1	6/2017
WO	2017136754 A1	8/2017
WO	17197230 A1	11/2017
WO	2018152402 A1	8/2018
WO	2018165426 A1	9/2018
WO	19135922 A1	7/2019

OTHER PUBLICATIONS

Icemule Classic Cooler—Large (20L), <http://www.icemulecooler.com/icemule-classic-cooler-large-20l/>, published date unknown, but prior to the filing date of the present application, Icemule, United States.

Devonbuy.com: Thule Gauntlet 13" MacBook Pro Attaché. Published on Jul. 28, 2014. Retrieved from the internet at <http://www.devonbuy.com/thule-gauntlet-13-macbook-pro-attache/>, Feb. 24, 2016. 9 pages.

United States District Court for the Western District of Texas, Austin Division, "Defendants' Answer and Counterclaims to YETI's Complaint," *YETI Coolers, LLC, vs. RTIC Soft Sided Coolers, LLC,*

RTIC Coolers, LLC, RTIC Web Services, LLC, and Corporate Support and Fulfillment, LLC, Case 1:16-cv-00909-RP, Document 11, Filed Aug. 18, 2016, 44 pages.

United States District Court Western District of Texas, Austin Division, "Complaint," *YETI Coolers, LLC, v. RTIC Soft Side Coolers, RTIC Coolers, LLC, RTIC Web Services, LLC, and Corporate Support and Fulfillment, LLC*, Case 1:16-cv-00909. Document 1, Filed Jul. 27, 2016, 66 pages.

United States District Court Western District of Texas, Austin Division, "Complaint for Damages and Injunctive Relief," *YETI Coolers, LLC v. Jennifer Leverne Bootz Evans d/b/a Bling and Burlap Buy In's and Blanks*, Case 1:15-cv-00995, Document 1, Filed Nov. 2, 2015, 128 pages.

United States District Court Western District of Texas, Austin Division, "Order," *YETI Coolers, LLC v. Jennifer Leverne Bootz Evans d/b/a Bling and Burlap Buy In's and Blanks*, Case 1:15-cv-00995-RP, Document 18, Filed Apr. 18, 2016, 1 page.

United States District Court Western District of Texas, Austin Division, "Defendant's Reply in Support of Their Rule 12 B)(6) Motion to Dismiss for Failure to State a Claim" *YETI Coolers, LLC v. RTIC Soft Sided Coolers, LLC, RTIC Coolers, LLC, RTIC Web Services, LLC, and Corporate Support and Fulfillment, LLC*, Case 1:16-cv-00909-RP, Document 15, Filed Septembers, 2016, 13 pages.

United States District Court Western District of Texas, Austin Division, "YETI's Answer to RTIC's Counterclaims," *YETI Coolers, LLC v. RTIC Soft Sided Coolers, LLC, RTIC Coolers, LLC, RTIC Web Services, LLC, and Corporate Support and Fulfillment, LLC*, Case 1:16-cv-00909-RP, Document 14, Filed Sep. 2, 2016, 16 pages.

United States District Court Western District of Texas, Austin Division, "YETI's Opposition to RTIC's Motion to Dismiss," *YETI Coolers, LLC v. RTIC Soft Sided Coolers, LLC, RTIC Coolers, LLC, RTIC Web Services, LLC, and Corporate Support and Fulfillment, LLC*, Case 1:16-cv-00909-RP, Document 13, Filed Sep. 1, 2016, 17 pages.

United States District Court for the Western District of Texas, Austin Division, "Defendants' Rule 12(B)(6) Motion to Dismiss for Failure to State a Claim," *YETI Coolers, LLC, vs. RTIC Soft Sided Coolers, LLC, RTIC Coolers, LLC, RTIC Web Services, LLC, and Corporate Support and Fulfillment, LLC*, Case 1:16-cv-00909-RP, Document 10, Filed Aug. 18, 2016, 12 pages.

United States District Court for the Western District of Texas, Austin Division, "Joint Rule 26(f) Report and Discovery Plan," *YETI Coolers, LLC, vs. RTIC Soft Sided Coolers, LLC, RTIC Coolers, LLC, RTIC Web Services, LLC, and Corporate Support and Fulfillment, LLC*, Case 1:16-cv-00909-RP, Document 19, Filed Oct. 11, 2016, 9 pages.

Petition for Inter Partes Review of U.S. Pat. No. 9,139,352, filed on Dec. 13, 2016, 1616 pages.

TheGadgeteer.com: Tom Bihn Camera I-O Bag Review. Published Jul. 9, 2012. Retrieved from the internet at <http://the-gadgeteer.com/2012/07/09/tom-bihn-camera-i-o-bag-review/>, Jan. 11, 2016. 7 pages.

YouTube.com: Patagonia Black Hole Duffel 60L. Published Aug. 26, 2013. Retrieved from the internet at <https://www.youtube.com/watch?v=W-PWEmZmVv8>, Dec. 19, 2016. 1 page.

Youtube, "YETI Hopper Cooler at ICAST 2014", Uploaded by user TackleDirect on Jul. 17, 2014, Accessed Jan. 31, 2017. (<https://www.youtube.com/watch?v=A2rKRdyZcZ4>).

Ebags, Picnic Pack Picnic Pack Large Insulated Cooler Tote, First reviewed on Jul. 20, 2016. Accessed Feb. 7, 2017. (<http://www.ebags.com/product/picnic-pack/picnic-pack-large-insulated-cooler-tote/313704?productid=10428840>).

United States Patent and Trademark Office Before the Patent Trial and Appeal Board, Decisions Joint Motions to Terminate Inter Partes Review, Entered Mar. 22, 2017—(4 pgs).

Jan. 31, 2017—(WO) International Search Report and Written Opinion—App. PCT/US2016/060135.

Mar. 27, 2017—(WO) International Search Report and Written Opinion—App. PCT/US2017/016552.

May 8, 2017—U.S. Non-Final Office Action—U.S. Appl. No. 15/154,626.

(56)

References Cited

OTHER PUBLICATIONS

May 22, 2015—U.S. Non-Final Office Action—U.S. Appl. No. 14/479,607.

United States District Court Western District of Texas Austin Division, “Complaint,” *YETI Coolers, LLC v. Glacier Coolers, LLC, and Tecomate Holdings, LLC*, Case 1:17-cv-00586, Document 1, filed Jun. 15, 2017, 161 pages.

May 30, 2017—(WO) ISR—App. No. PCT/US17/32351.

May 30, 2017—(WO) Written Opinion—App. No. PCT/US17/32351.

Vimeo, “Cleaning Your YETI Hopper” uploaded by user YETI Coolers on Nov. 4, 2014, Accessed Sep. 27, 2017. (<https://vimeo.com/110890075>).

Sep. 13, 2017—U.S. Final Office Action—U.S. Appl. No. 15/137,838.

Nov. 24, 2017—U.S. Final Office Action—U.S. Appl. No. 15/154,626.

Good Housekeeping, “Lands’ End Zip Top Cooler Tote #433786”, Reviewed on Apr. 2014, Accessed Nov. 18, 2017. (<http://www.goodhousekeeping.com/travel-products/food-cooler-reviews/a33270/lands-end-zip-top-cooler-tote-433786/>).

Home Shopping Network, “Built New York Large Welded Cooler Bag”, Accessed Nov. 18, 2017. (<https://www.hsn.com/products/built-new-york-large-welded-cooler-bag/8561033>).

Feb. 9, 2018—U.S. Non-Final Office Action—U.S. Appl. No. 15/451,064.

May 24, 2018—U.S. Non-final Office Action—U.S. Appl. No. 15/790,926.

Aug. 29, 2018 (WO)—International Search Report and Written Opinion—App. No. PCT/US18/36608.

Mar. 21, 2019—(WO) International Search Report and Written Opinion—App. No. PCT/US2018/066040.

Feb. 4, 2019—(AU) Examination Report—App. No. 2017263566.

Jul. 3, 2019—(CN) First Office Action—App. No. 201780042659.5.

Jun. 5, 2019—(AU) Notice of Acceptance for Patent Application—App. No. 2017263566.

Oct. 2, 2019—(CN) Examiner’s Report—App. No. 2017032351.

Jun. 3, 2019—(CN) First Office Action—App. No. 201680076714.8.

amazon.com, “E-MANIS Insulated Lunch Bag Adult Lunch Box Collapsible Multi-Layers Thermal Insulated Oxford Lunch Tote Cooler Bag for Men, women (grey),” visited May 7, 2019 at <https://www.amazon.com/MANIS-Insulated-Portable-Cooler-School/dp/B07BMT6948/ref=sr_1_23?keywords=soft+sided+cooler+lunch+box&qid=1557170800&s=home-garden&sr=1-23>.

amazon.com, “Meal Prep Lunch Bag/Box For Men, Women+3 Large Food Containers (45oz)+2 Big Reusable Ice Packs+Shoulder Strap+Shaker With Storage. Insulated Lunchbox Cooler Tote. Adult Portion Control Set,” visited May 7, 2019 at <<https://www.amazon.com/Meal-Containers-Reusable-Shoulder-Insulated/dp/B01MU2YS18/>>.

amazon.com, “Zuzuro Lunch Bag Insulated Cooler Lunch Box w/ 3 Compartment—Heavy-Duty Fabric, Strong SBS Zippers—Includes 3 Meal Prep Lunch box Containers + 2 Ice Packs. For Men Women Adults (Black),” visited May 7, 2019 at <https://www.amazon.com/Zuzuro-Lunch-Insulated-Cooler-Compartment/dp/B079DZ2L1F/ref=sr_1_14?keywords=lunch+box+lid+ice+pack&qid=1557245496&s=gateway&sr=8-14>.

amazon.com, “MIER Portable Thermal Insulated Cooler Bag Mini Lunch Bag for Kids, Black,” visited May 7, 2019, at <<https://www.amazon.com/MIER-Portable-Thermal-Insulated-Cooler/dp/B01145L2JM/>>.

amazon.com, “Srotek Lunch Bag Insulated Lunch Box Tote Bag Cooler Bag Water-resistant Cute Lunch Bag Wide-open Thermal Tote Kit for Women/Girls/Work/Picnic, Grey Flamingo,” visited May 7, 2019 at <https://www.amazon.com/dp/B07N57JSJS/ref=sspa_dk_detail_9?psc=1&pd_rd_i=B07N57JSJS>.

amazon.com, “Lifewit Insulated Casserole Dish Carrier Thermal Lasagna Luger for Potluck Parties/Picnic/Beach, Lunch Bag to Keep Food Hot/Cold, 16.3x12.6x4.7”, Grey,” visited May 7, 2019 at <https://www.amazon.com/dp/B07BFWJPV5/ref=sspa_dk_detail_6?psc=1&pd_rd_i=B07BFWJPV5&pd_rd_w=tr7Ke&pf_rd_p=46cdcfa7-b302-4268-b799-8f7d8cb5008b&pd_rd_wg=jq3TO&pf_rd_r=W7MFCBJR9DR0HV3AKZZB&pd_rd_r=604844a0-70d3-11e9-ad99-d763d3fc76f8>.

amazon.com, “Arctic Zone 2008IL515B42 Thermal Insulated Hot/Cold Food Carrier, Green,” visited May 7, 2019 at <https://www.amazon.com/dp/B077T7FZBX/ref=sspa_dk_detail_0?psc=1&pd_rd_i=B077T7FZBX>.

Dec. 13, 2019—(CN) First Office Action—App. No. 201780020473. United States District Court Western District of Texas, Austin Division, “Complaint for Damages and Injunctive Relief,” *YETI Coolers, LLC v. Olympia Tools International, Inc. d/b/a Coho Outdoors*, Case 1:19-cv-00912, Document 1, Filed Sep. 16, 2019, 235 pages.

United States District Court Western District of Texas, Austin Division, “Defendant Olympia Tools International, Inc. d/b/a Coho Outdoors’ Answer and Counterclaims to Plaintiff’s Original Complaint,” *YETI Coolers, LLC v. Olympia Tools International, Inc. d/b/a Coho Outdoors*, Case 1:19-cv-00912, filed Dec. 18, 2019, 48 pages.

Translation of FR 1269009A, Jackson, Jr., Jun. 26, 1961, p. 1, Fig. 2 (Year: 1961).

Jun. 16, 2021—(CN) Evaluation Report of Design Patent—App. No. ZL201630369163.7.

Mar. 20, 2020—(CN) Office Action—App. No. 201680076714.8.

Jul. 14, 2020—(CA) Office Action—App. No. 3024101.

First Look: YETI Hopper Flip Soft Cooler Review | GearJunkie which was published on the website; <https://gearjunkie.com/review-yeti-hopper-flip-12-soft-cooler> on Jul. 12, 2016.

YETI Flip Review—YouTube which was published on the website <https://www.youtube.com/watch?v=97Vdb3lazdw> on Sep. 8, 2016.

Jul. 2, 2020—(AU) First Office Action—App. No. 201712263.

Jul. 2, 2020—(AU) First Office Action—App. No. 201712262.

Jul. 2, 2020—(AU) First Office Action—App. No. 201712264.

Jul. 2, 2020—(AU) First Office Action—App. No. 201712265.

Jul. 31, 2020—(CN) Second Office Action (with English Translation)—App. No. 201780020473.X.

Aug. 17, 2020—(CN) Third Office Action (with English Translation)—App. No. 201680076714.8.

Oct. 19, 2020—(NZ) Patent Examination Report 1—App. No. 759046.

amazon.com, “MIER Insulated Double Casserole Carrier Thermal Lunch Tote for Potluck Parties, Picnic, Beach—Fits 9"×13" Casserole Dish, Expandable, Orange,” visited May 7, 2019 at <<https://www.amazon.com/MIER-Insulated-Casserole-Carrier-Thermal/dp/B01N0PW1I9/>>.

amazon.com, “Lille 22oz Stainless Steel Leakproof Lunch Box, Insulated Bento Boxes | Thermal Food Container with Insulated Lunch Bag for Work | 2nd Gen with Durable Handle and Lid | BPA free | Adult, Women, Kid,” visited May 7, 2019 at <<https://www.amazon.com/Lille-Stainless-Leakproof-Insulated-Container/dp/B07HDTMJ7M/>>.

Jan. 12, 2021—(CN) Fourth Office Action—App. No. 201680076714.8.

Feb. 3, 2021—(EP) Extended Search Report—App. No. 18813247.6.

United States District Court Southern District of Texas Houston Division, “Plaintiff YETI’s Complaint for Patent Infringement”, *YETI Coolers, LLC v. Igloo Products Corporation*, Case 4:21-cv-00505, filed Feb. 12, 2021, 98 pages.

Feb. 24, 2021—(WO) International Search Report & Written Opinion—PCT/US20/059783.

United States District Court Western District of Texas, Austin Division, “Complaint for Damages and Injunctive Relief for: (1)-(12) Patent Infringement in Violation of 35 U.S.C. § 271; and (13) Breach of Contract”, *YETI Coolers, LLC v. RTIC Outdoors, LLC; and Corporate Support & Fulfillment, LLC*, Case 1:21-cv-00214, filed Mar. 5, 2021, 338 pages.

Apr. 7, 2021—(NZ) Examination Report 2—App. No. 759046.

Apr. 6, 2021—(CN) First Office Action—App. No. 201880035443.0.

Apr. 26, 2021—(CN) Rejection Decision—App. No. 201680076714.8.

(56)

References Cited

OTHER PUBLICATIONS

United States District Court Western District of Texas, Austin Division, “First Amended Complaint, ‘Complaint for Damages and Injunctive Relief for: (1)-(15) Patent Infringement in Violation of 35 U.S.C. § 271; and (16) Breach of Contract’”, *YETI Coolers, LLC v. RTIC Outdoors, LLC; and Corporate Support & Fulfillment, LLC*, Case 1:21-cv-00214-RP, Document 10, filed Jun. 2, 2021, 39 pages.

United States District Court Western District of Texas, Austin Division, “Answer of Defendants RTIC Outdoors, LLC and Corporate Support & Fulfillment, LLC to YETI’s Amended Complaint: (1)-(15) Patent Infringement in Violation of 35 U.S.C. § 271; and (16) Breach of Contract”, *YETI Coolers, LLC v. RTIC Outdoors, LLC; and Corporate Support & Fulfillment, LLC*, Case 1:21-cv-00214-RP, Document 16, filed Jun. 17, 2021, 79 pages.

United States District Court Eastern District of Missouri Eastern Division, “Complaint, ‘Complaint for Damages and Injunctive Relief’”, *YETI Coolers, LLC v. Discover Home Products, LLC*, Case 4:21-cv-00836, Document 1, filed Jul. 9, 2021, 68 pages.

Jan. 20, 2021—(CN) Third Office Action—App. No. 201780020473. X.

May 7, 2021—(CN) Rejection Decision—App. No. 201780020473. X.

amazon.com, “Lille Home 2nd Gen 22oz Stainless Steel Leakproof Lunch Box, Insulated Bento Box/Food Container with Insulated Lunch Bag | Durable Handles and Lid | Adults, Kids | Men, Women (Green),” visited May 8, 2019 at <<https://www.amazon.com/dp/B07MBDD29C/>>.

Jun. 28, 2021—(EP) Office Action—App. No. 18830667.4.

Sep. 3, 2021—(CN) First Office Action—App. No. 201880070523. X.

Jan. 26, 2022—(EP) Office Action—App. No. 18830667.4.

* cited by examiner

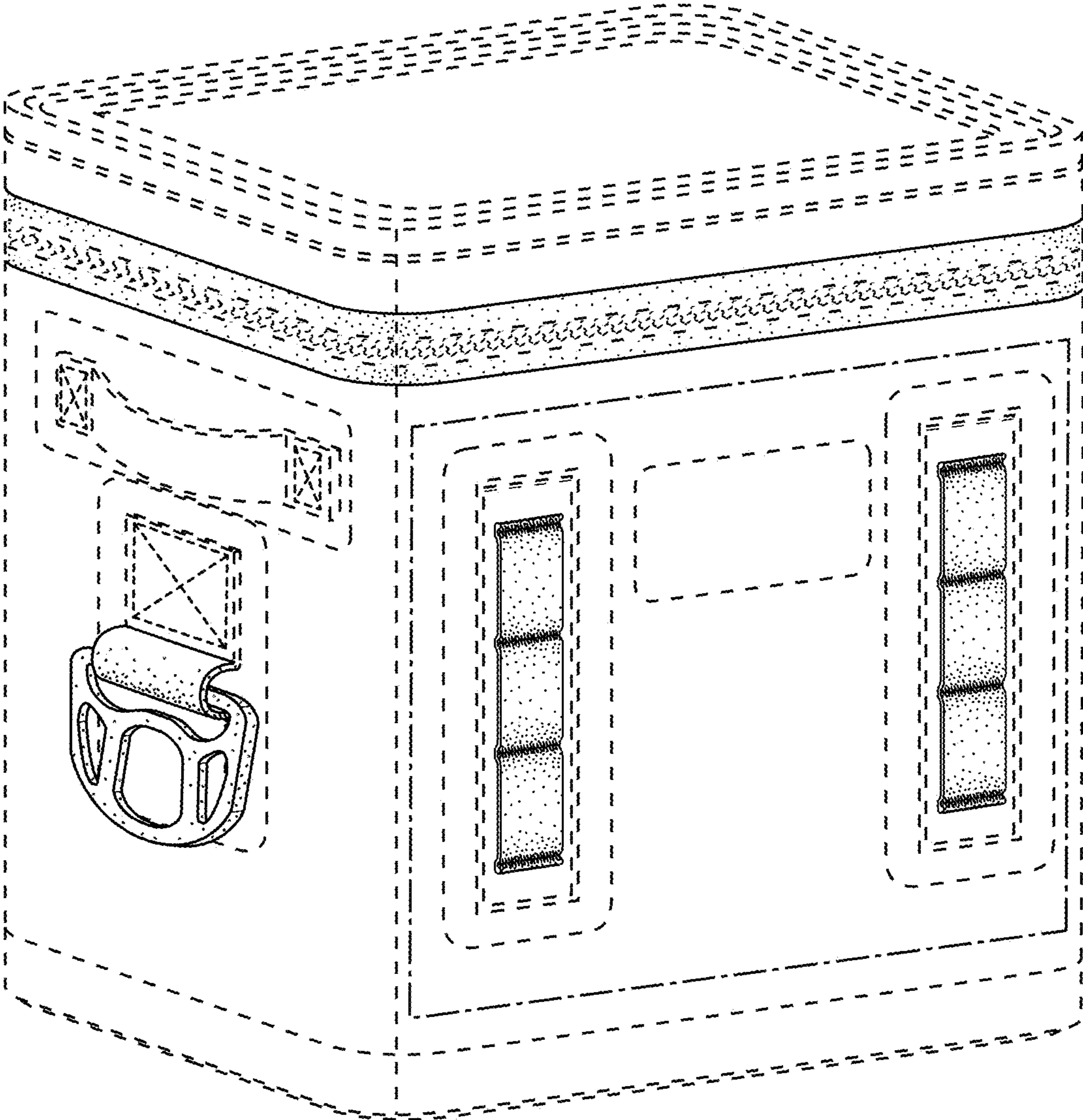


FIG. 1

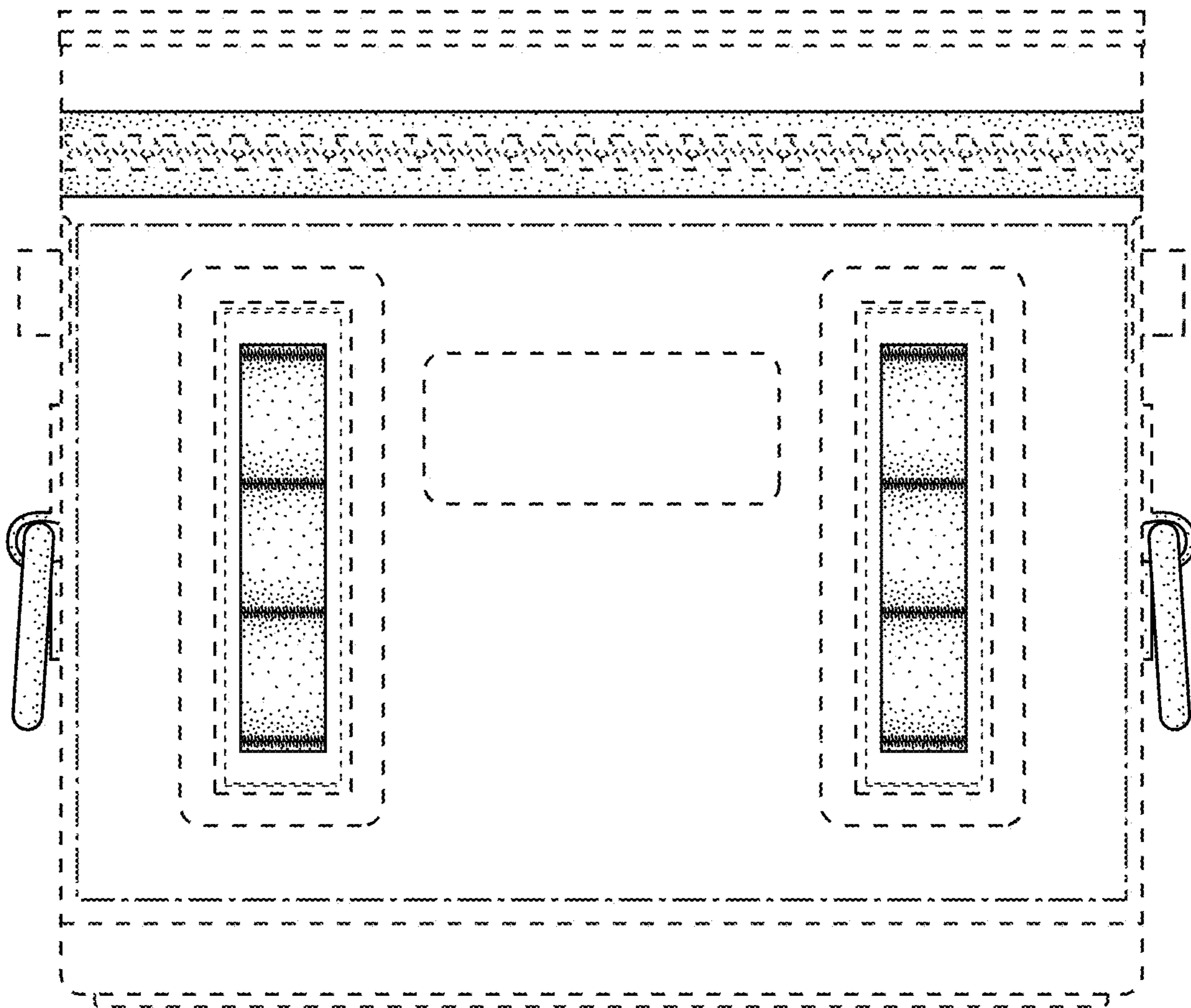


FIG. 2

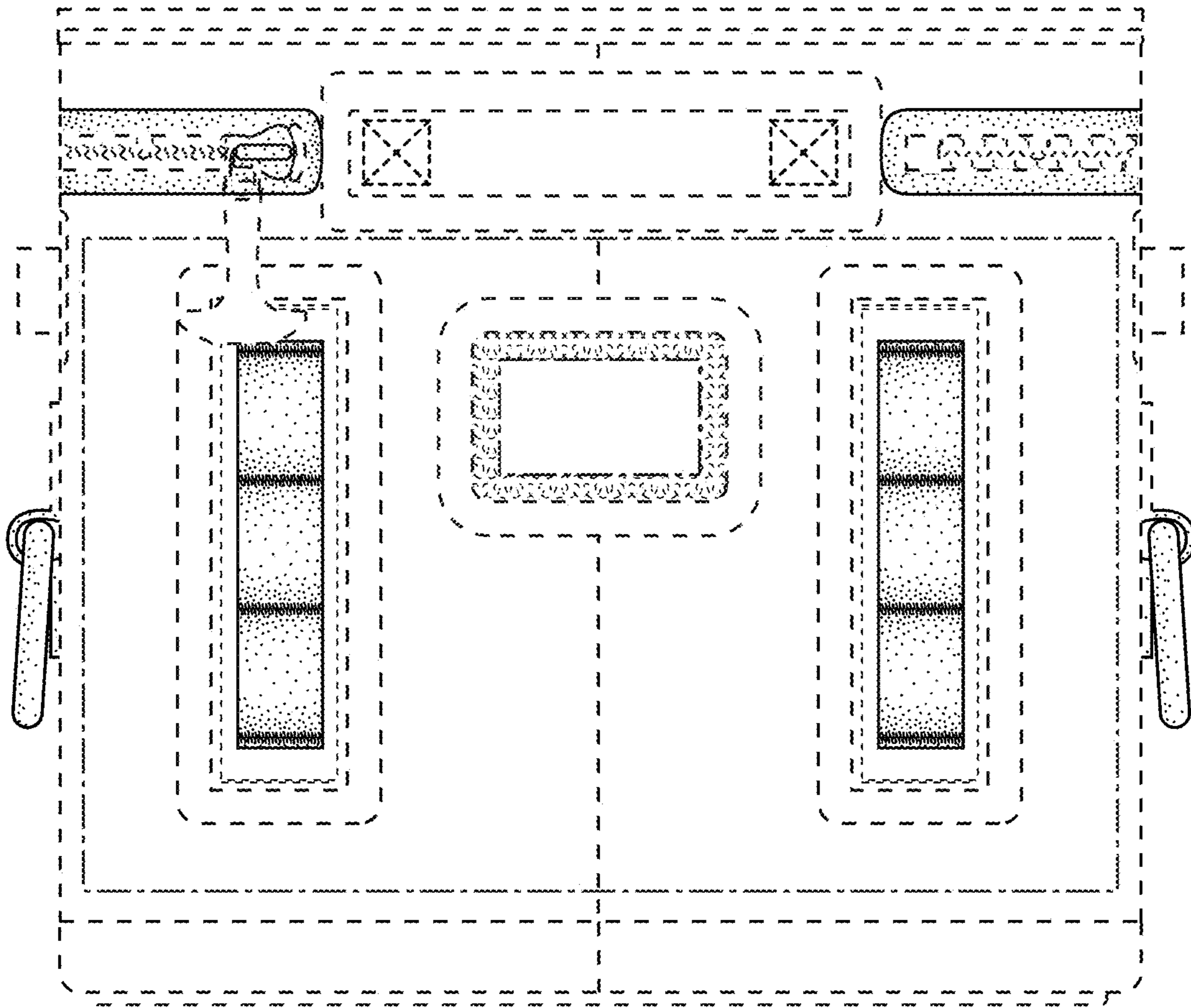


FIG. 3

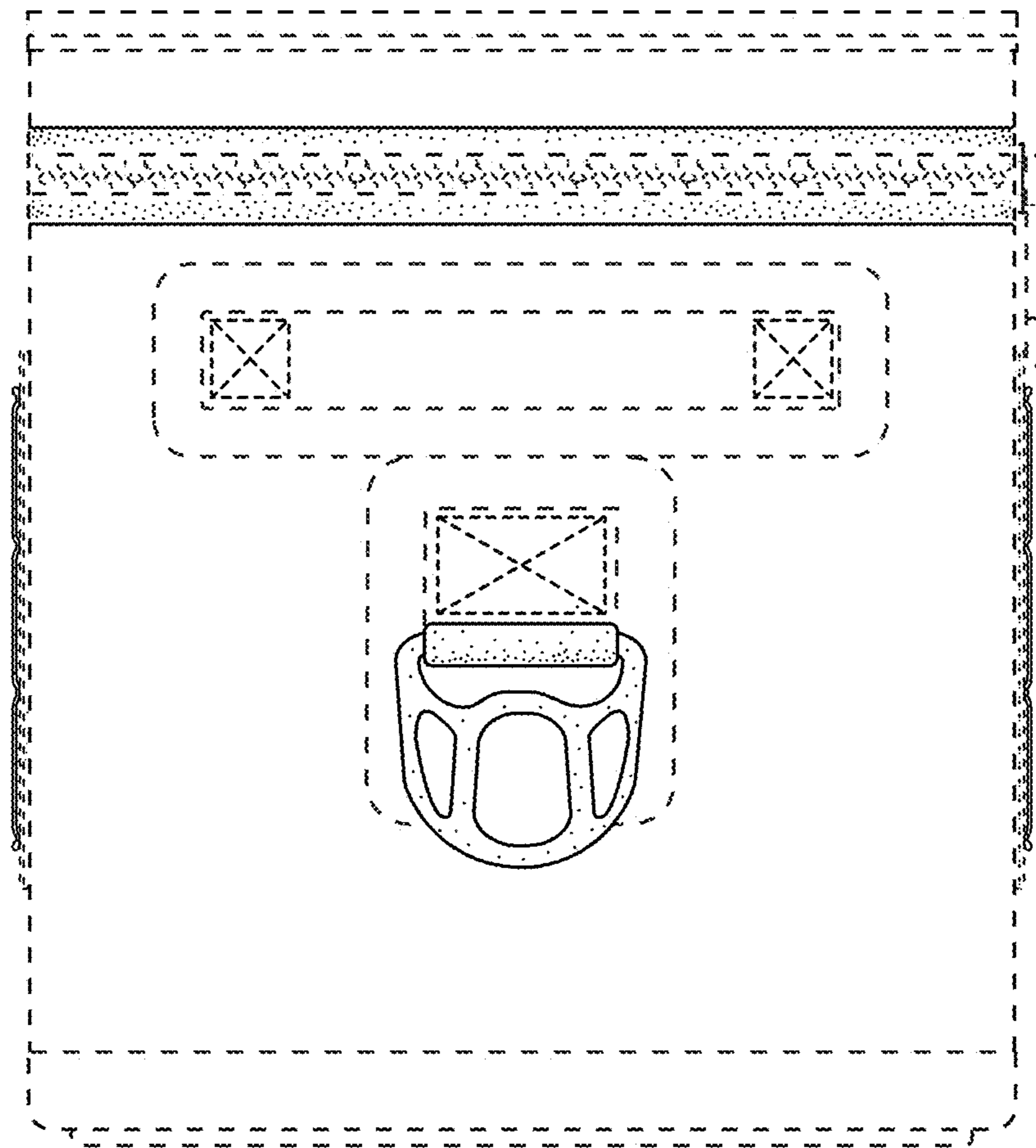


FIG. 4

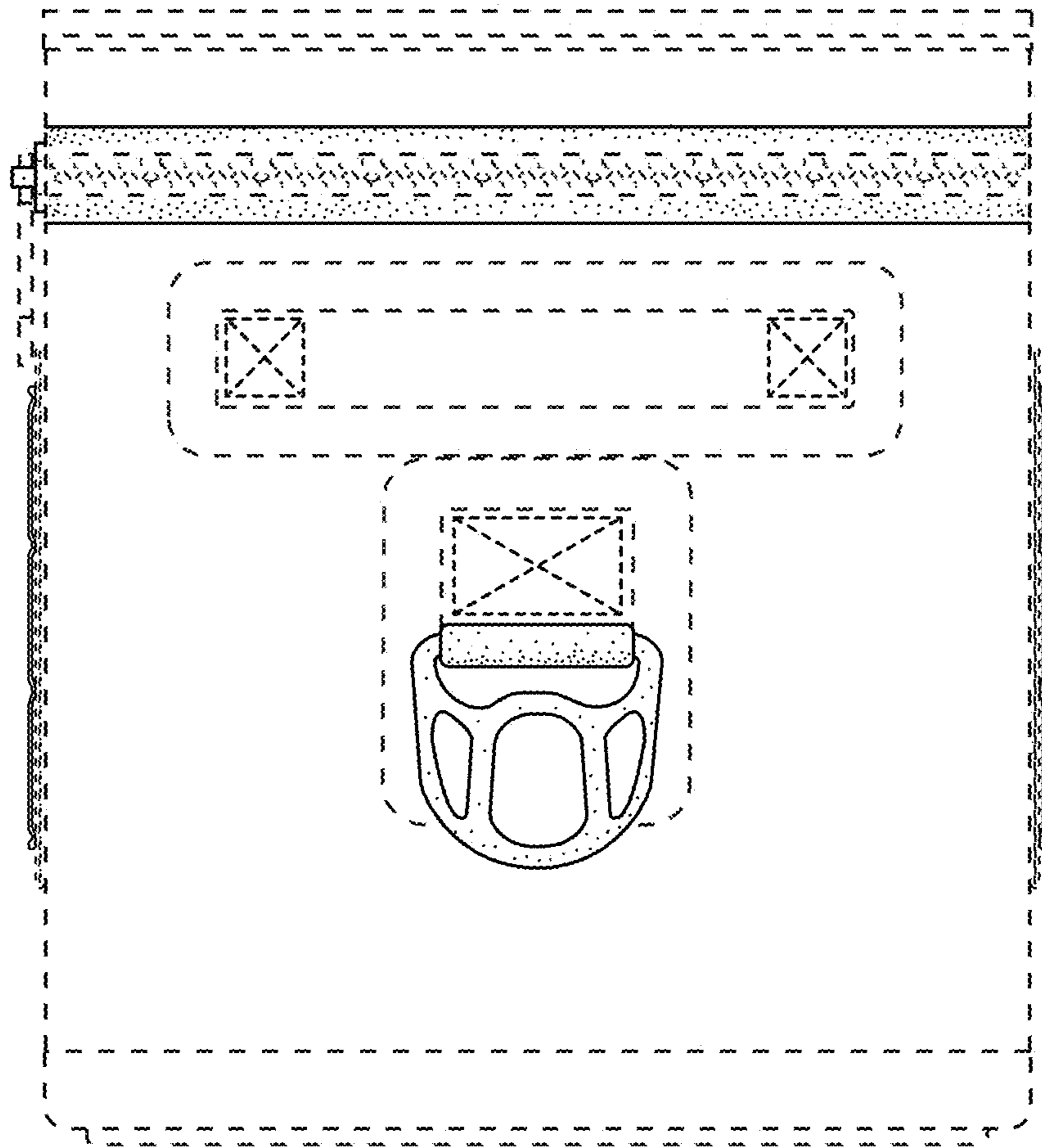


FIG. 5

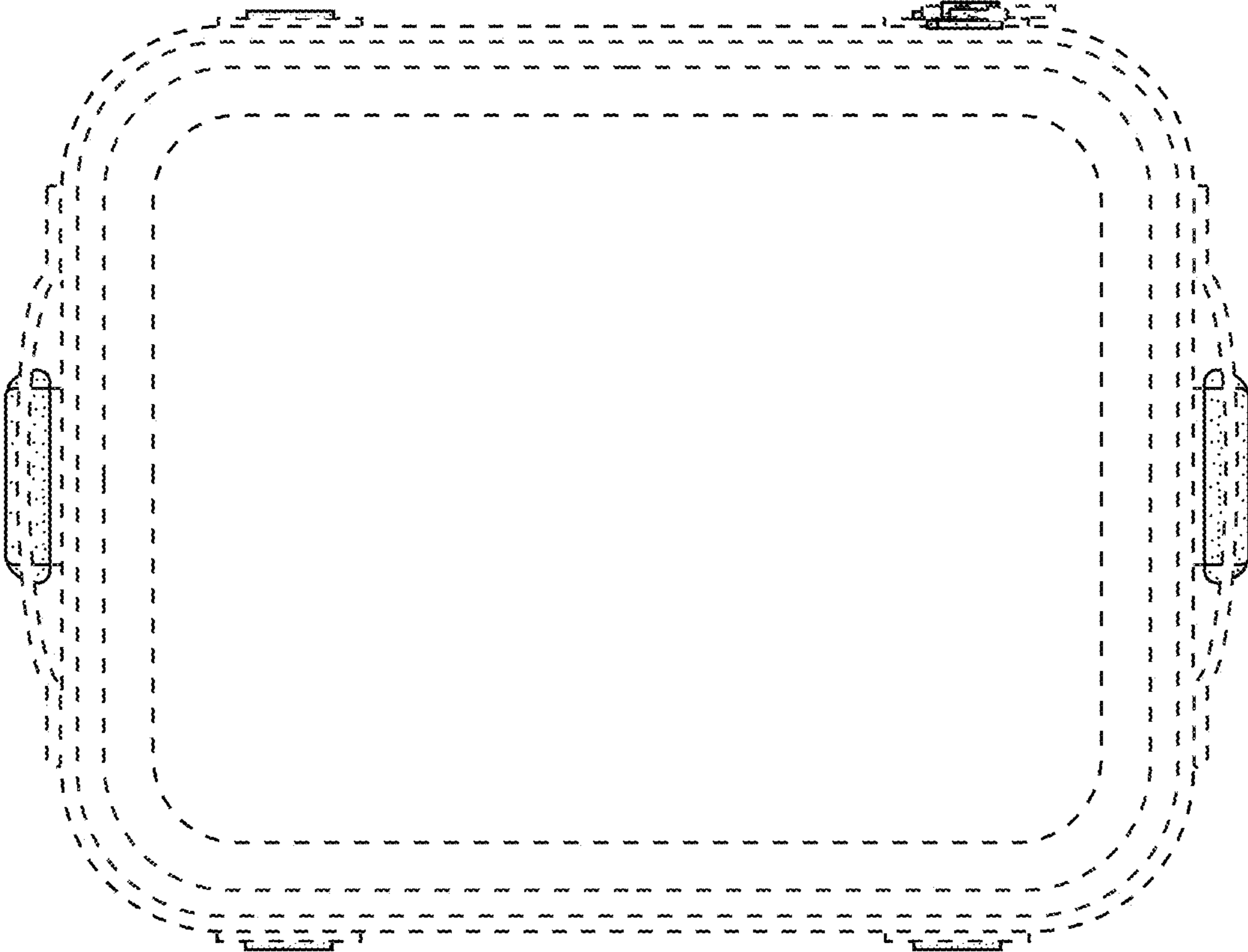


FIG. 6

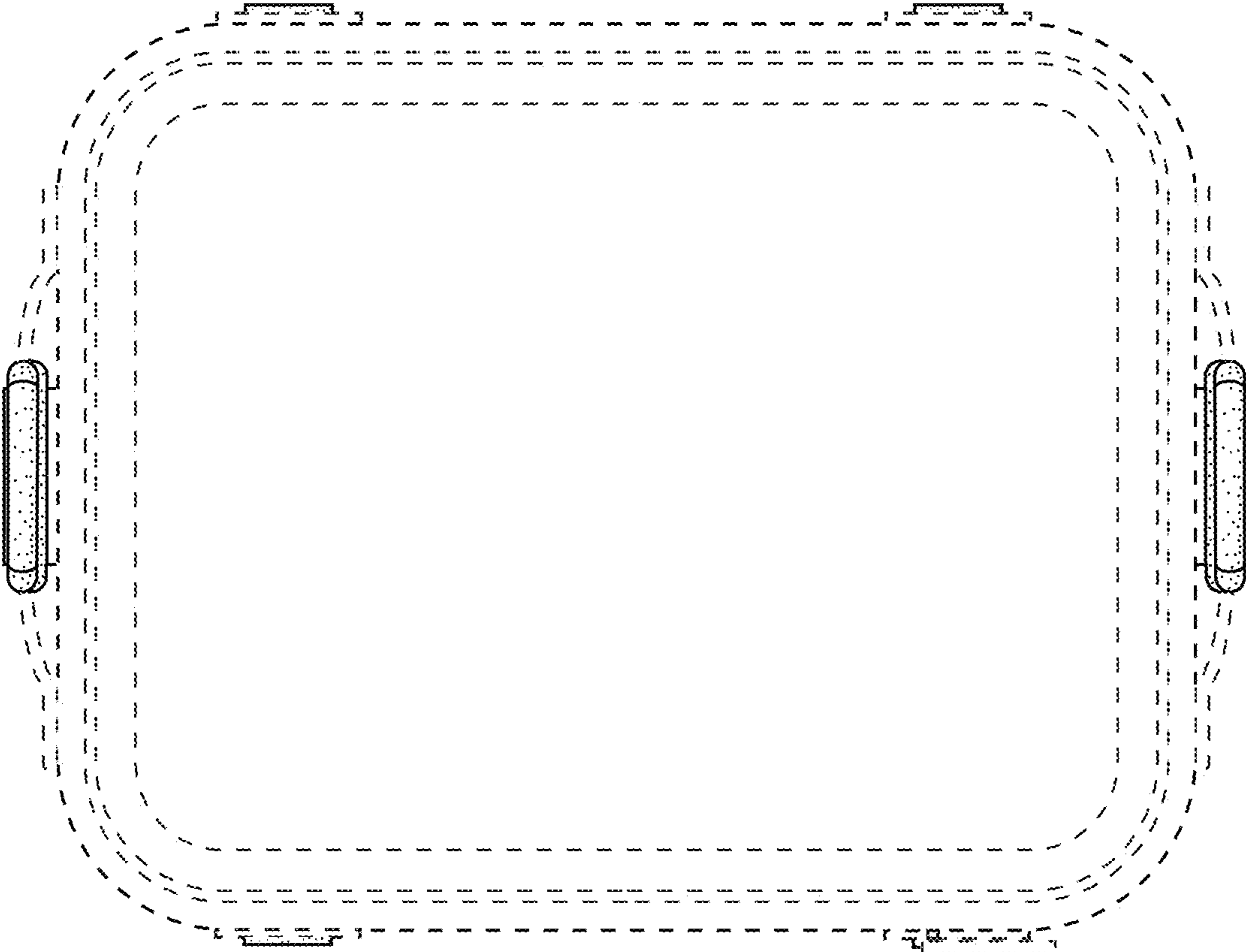


FIG. 7