



US00D955823S

(12) **United States Design Patent**
Huang et al.

(10) **Patent No.:** **US D955,823 S**
(45) **Date of Patent:** **** Jun. 28, 2022**

(54) **MULTIFUNCTIONAL COOLER BOX WITH WHEELS**

DESCRIPTION

(71) Applicant: **NINGBO KUER PLASTIC TECHNOLOGY CO., LTD.**, Ningbo (CN)

(72) Inventors: **Shengli Huang**, Nanyang (CN); **Saijun Luo**, Ningbo (CN); **Jinjin Wang**, Cixi (CN)

(73) Assignee: **NINGBO KUER PLASTIC TECHNOLOGY CO., LTD.**, Ningbo (CN)

(**) Term: **15 Years**

(21) Appl. No.: **29/746,437**

(22) Filed: **Aug. 13, 2020**

(51) **LOC (13) Cl.** **07-10**

(52) **U.S. Cl.**
USPC **D7/605**

(58) **Field of Classification Search**
USPC D3/217, 245, 289, 318, 327; D7/313, D7/391, 603, 605, 606, 607, 608
(Continued)

(56) **References Cited**

U.S. PATENT DOCUMENTS

D328,689 S * 8/1992 Riskowski D15/83
D415,658 S * 10/1999 Frehse D7/605
(Continued)

Primary Examiner — Joseph Kukella

Assistant Examiner — Darryl J Dardenne

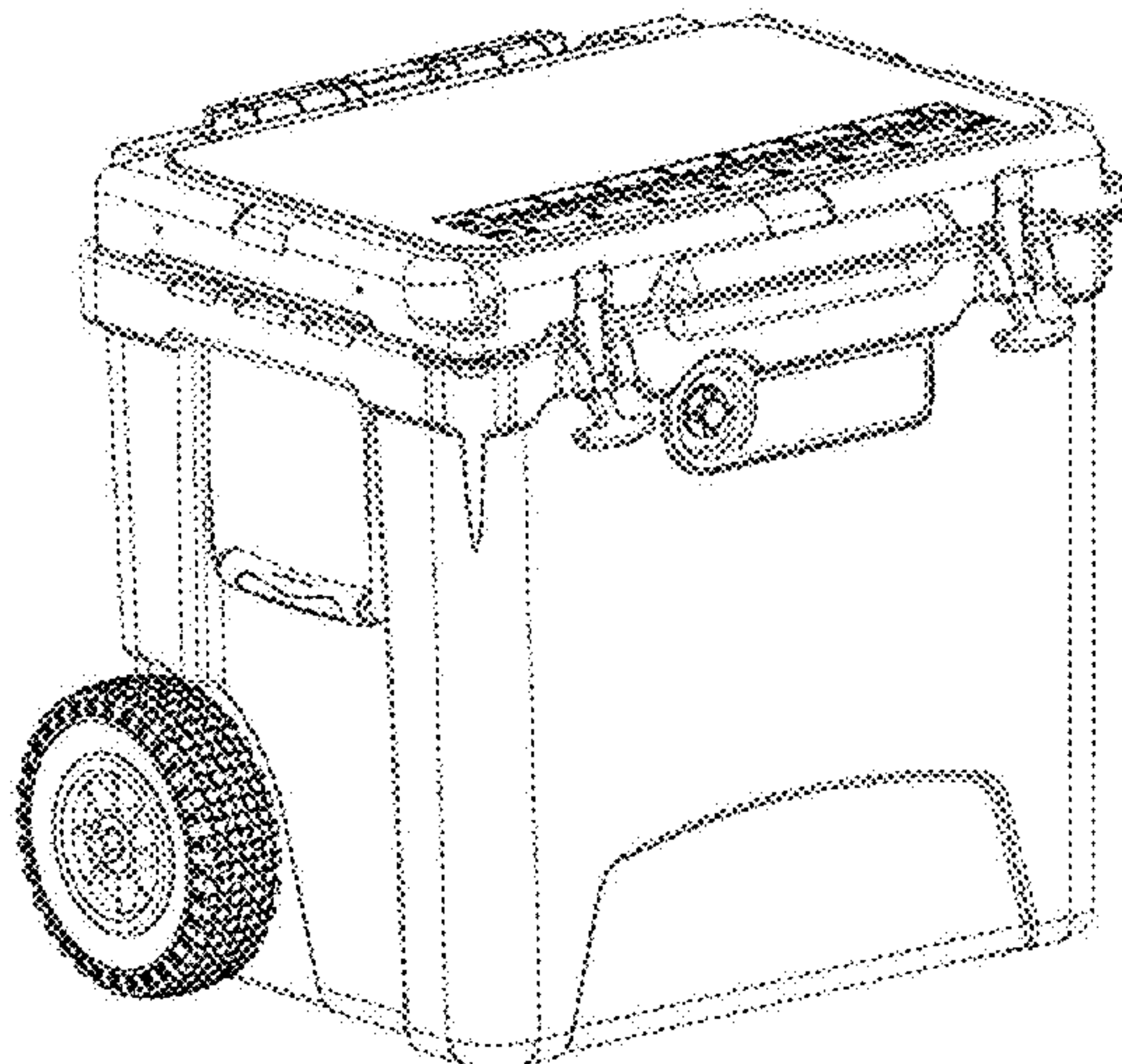
(74) *Attorney, Agent, or Firm* — Birch, Stewart, Kolasch & Birch, LLP

(57) **CLAIM**

The ornamental design for a multifunctional cooler box with wheels, as shown and described.

FIG. 1 is a top, front, and left perspective view of a multifunctional cooler box with wheels showing our new design;
FIG. 2 is a front view thereof;
FIG. 3 is a rear view thereof;
FIG. 4 is a left side view thereof;
FIG. 5 is a right side view thereof;
FIG. 6 is a top view thereof;
FIG. 7 is a bottom view thereof;
FIG. 8 shows a configuration of use with the lever pulled out in FIG. 1;
FIG. 9 shows a configuration of use with the lever pulled out in FIG. 2;
FIG. 10 shows a configuration of use with the lever pulled out in FIG. 3;
FIG. 11 shows a configuration of use with the lever pulled out in FIG. 4;
FIG. 12 is a top, front, and left perspective view showing another embodiment of our new design for a multifunctional cooler box with wheels;
FIG. 13 is a front view of the multifunctional cooler box with wheels shown in FIG. 12;
FIG. 14 is a rear view of the multifunctional cooler box with wheels shown in FIG. 12;
FIG. 15 is a left side view of the multifunctional cooler box with wheels shown in FIG. 12;
FIG. 16 is a right side view of the multifunctional cooler box with wheels shown in FIG. 12;
FIG. 17 is a top view of the multifunctional cooler box with wheels shown in FIG. 12;
FIG. 18 is a bottom view of the multifunctional cooler box with wheels shown in FIG. 12;
FIG. 19 shows a configuration of use with the lever pulled out in FIG. 12;
FIG. 20 shows a configuration of use with the lever pulled out in FIG. 13;
FIG. 21 shows a configuration of use with the lever pulled out in FIG. 14; and,
FIG. 22 shows a configuration of use with the lever pulled out in FIG. 15.

1 Claim, 16 Drawing Sheets



(58) **Field of Classification Search**

CPC . B65D 1/00; B65D 1/22; B65D 81/18; B65D
81/2015; B65D 81/2038; B65D 81/38;
B65D 81/3806; B65D 81/3813; B65D
81/3818; B65D 81/383

See application file for complete search history.

(56) **References Cited**

U.S. PATENT DOCUMENTS

D429,606	S	*	8/2000	Israel	D7/605
D544,758	S	*	6/2007	Jones	D7/605
D613,560	S	*	4/2010	Robichaud	D7/605
D651,860	S		1/2012	Nie		
D674,245	S	*	1/2013	Williams, Jr.	D7/605
D805,356	S	*	12/2017	Li	D22/136
D805,357	S	*	12/2017	Li	D22/136
D807,707	S	*	1/2018	Grepper	D7/605
D818,778	S	*	5/2018	Beernaert	D7/605
D823,066	S	*	7/2018	Eichinger	D7/605
D835,469	S	*	12/2018	Lovelace	D7/605
D836,402	S	*	12/2018	Jacobsen	D7/605
D836,682	S	*	12/2018	McCurry	D15/79
D836,995	S	*	1/2019	Carey	D7/605
D869,244	S	*	12/2019	Ellison	D7/605
D872,541	S	*	1/2020	Zhang	D7/605
D906,377	S	*	12/2020	Tang	D15/79
D927,939	S	*	8/2021	Ellison	D7/605
D929,188	S	*	8/2021	Pennington	D7/605
D929,189	S	*	8/2021	Pennington	D7/605
D942,812	S	*	2/2022	Luo	D7/605
D943,355	S	*	2/2022	Shah	B25H 3/02
						D7/605
2014/0197059	A1	*	7/2014	Evans	B25H 3/02
						206/349

* cited by examiner

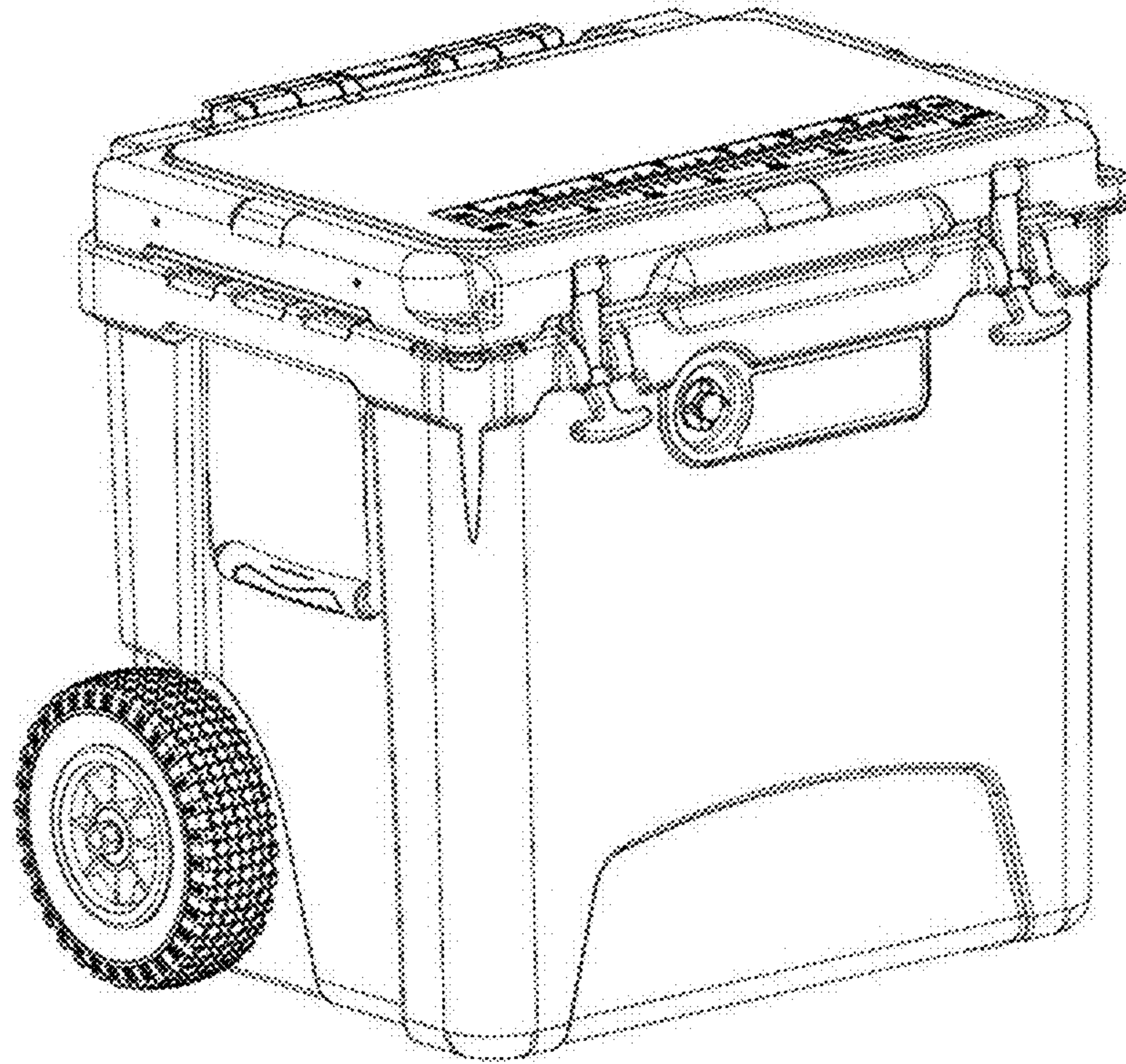


FIG. 1

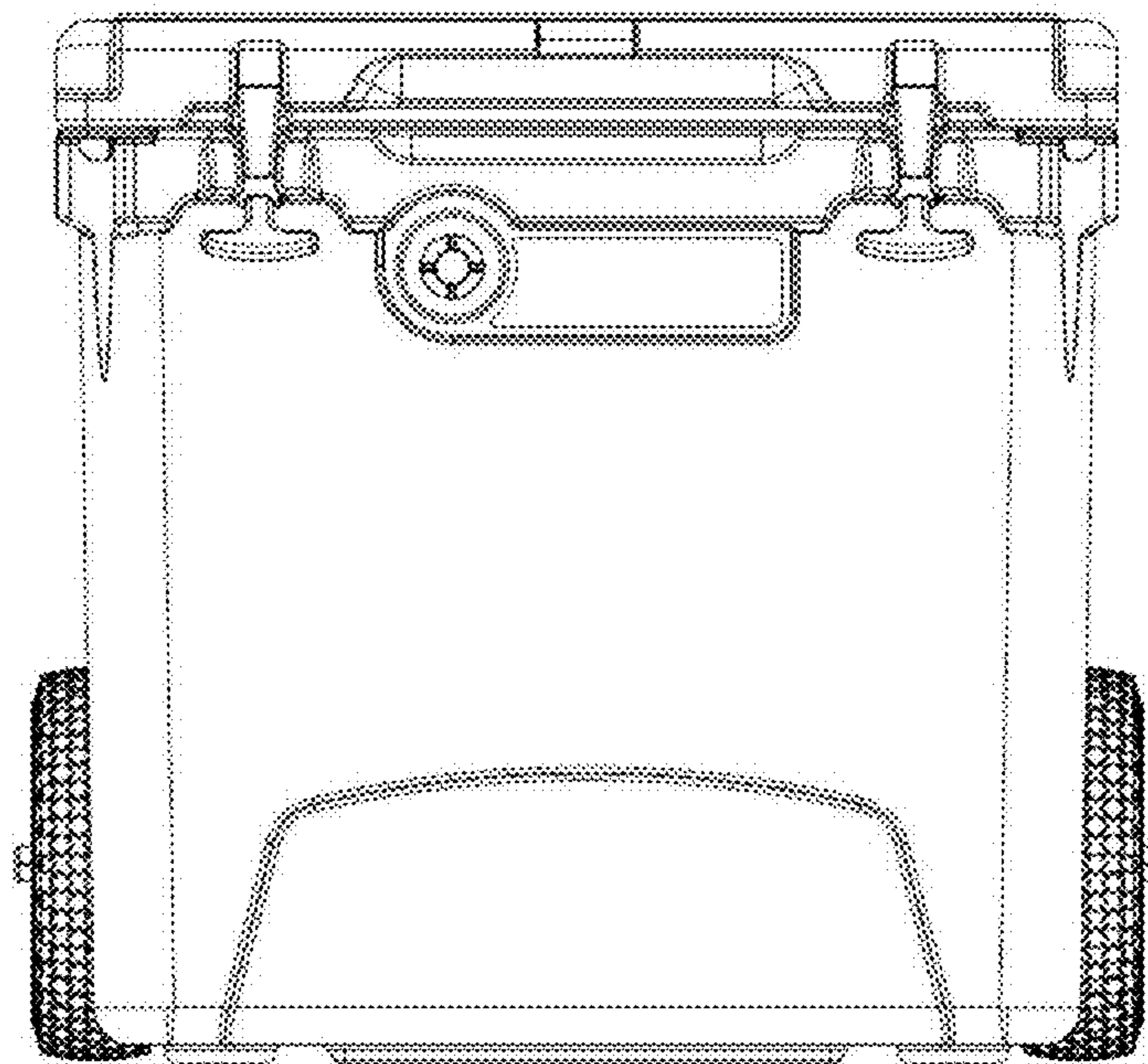


FIG. 2

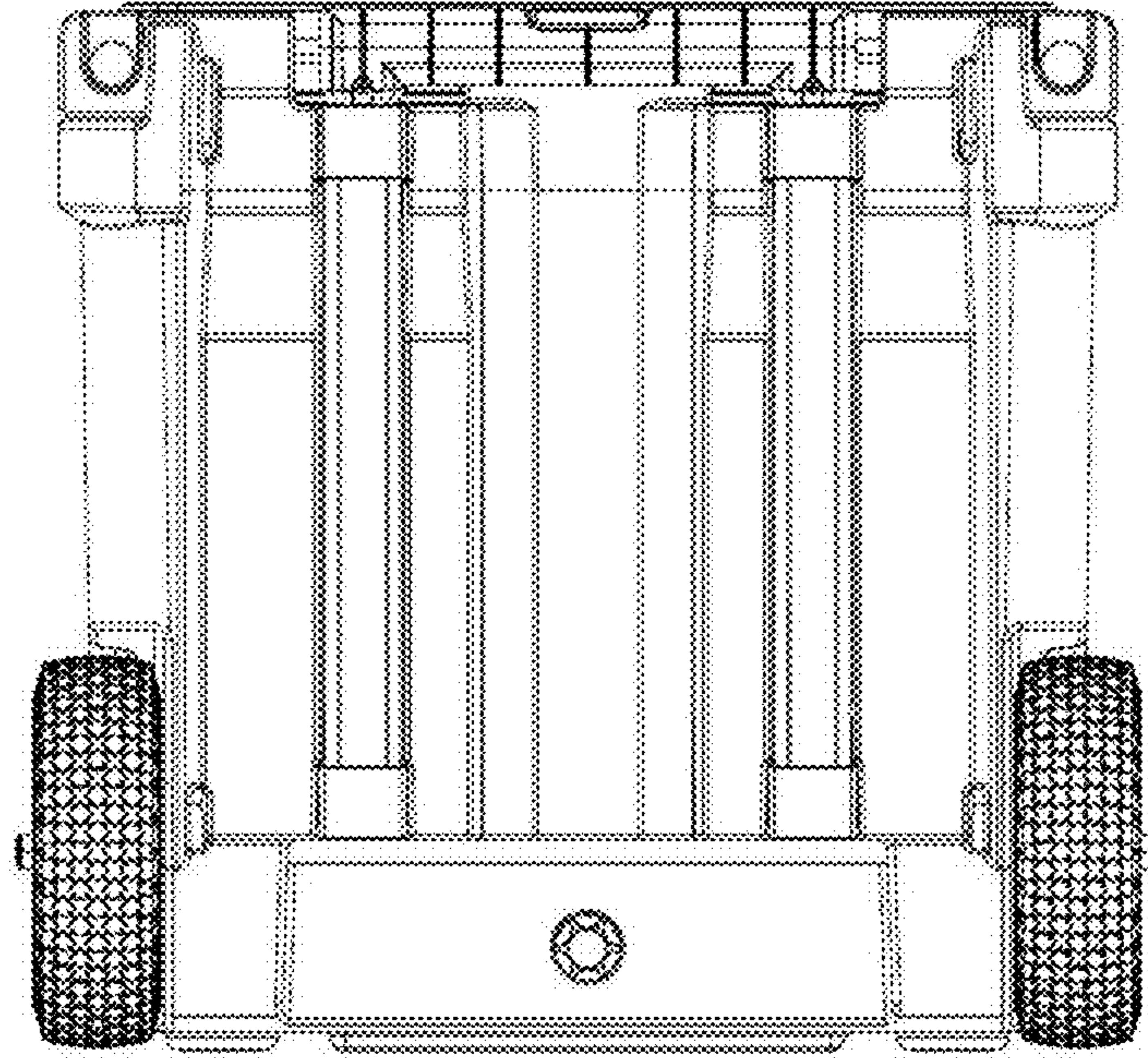


FIG. 3

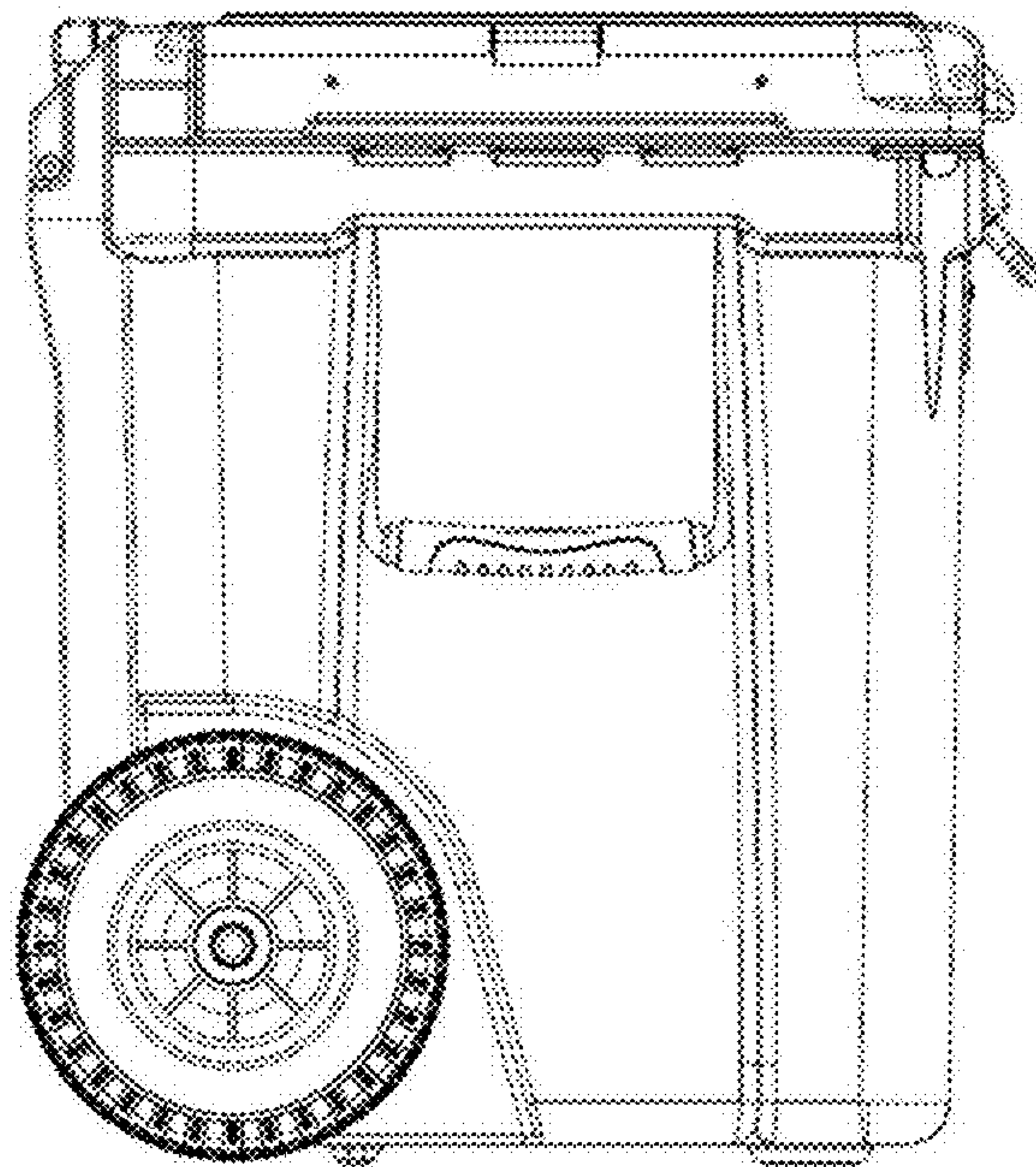


FIG. 4

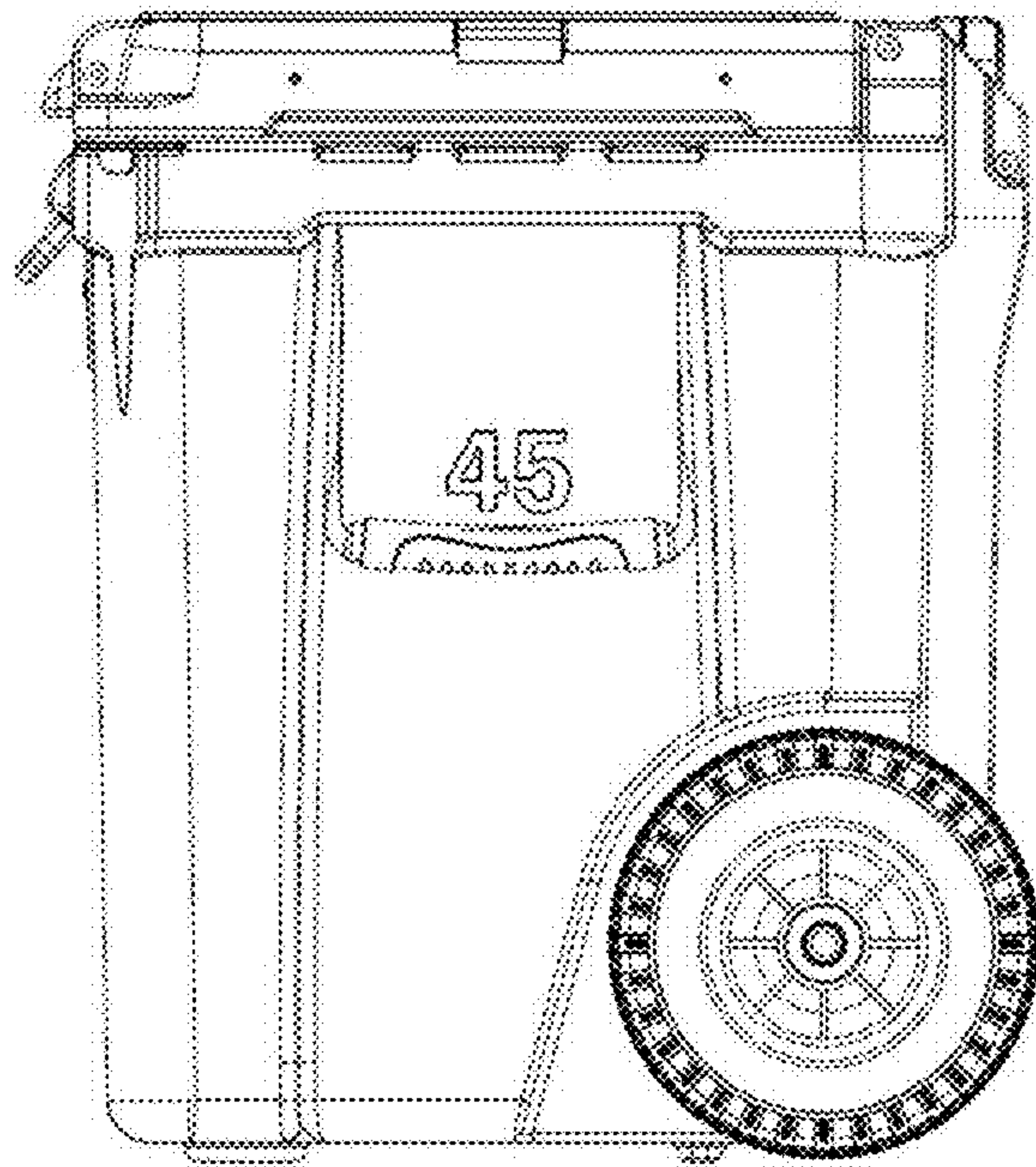


FIG. 5

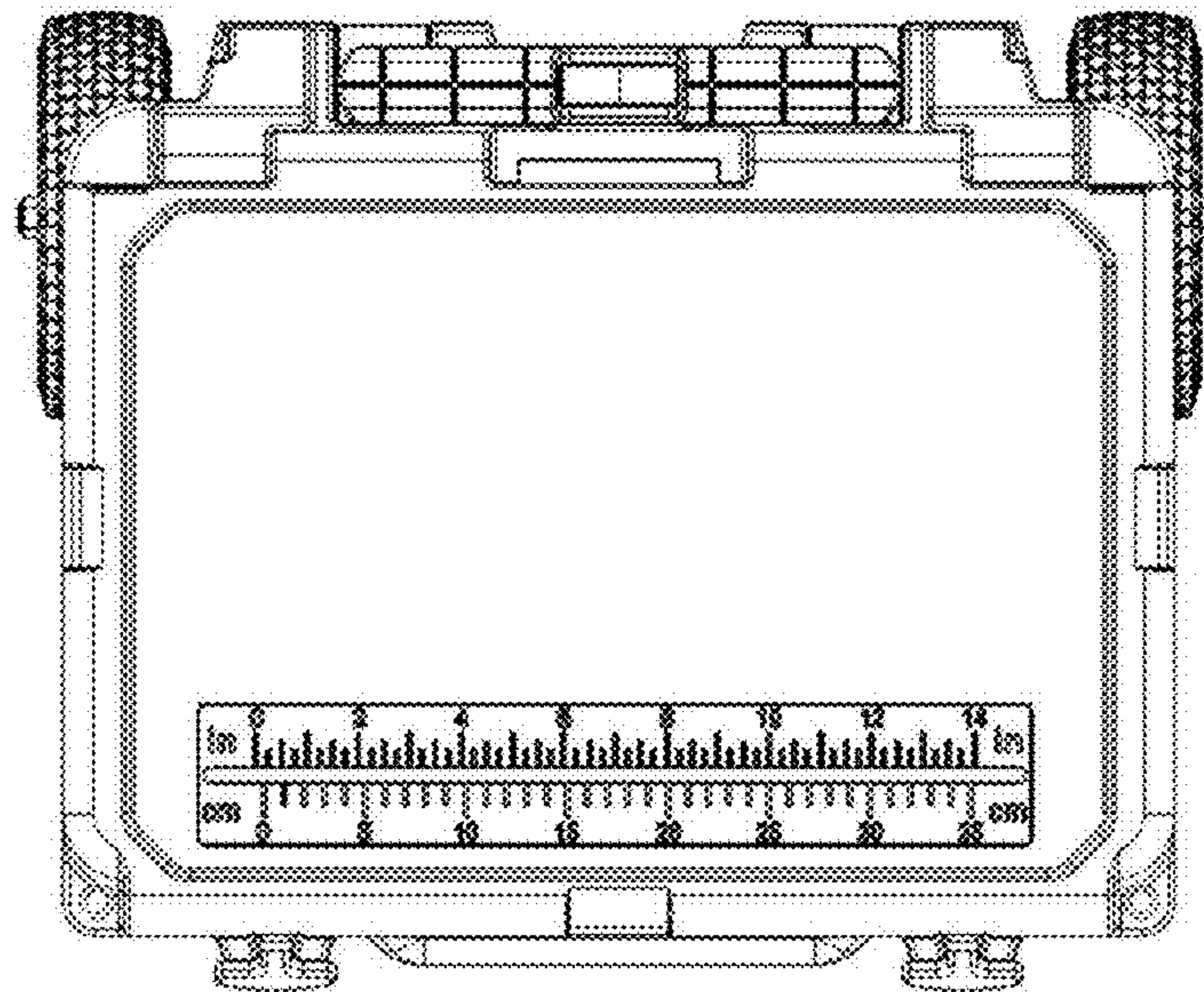


FIG. 6

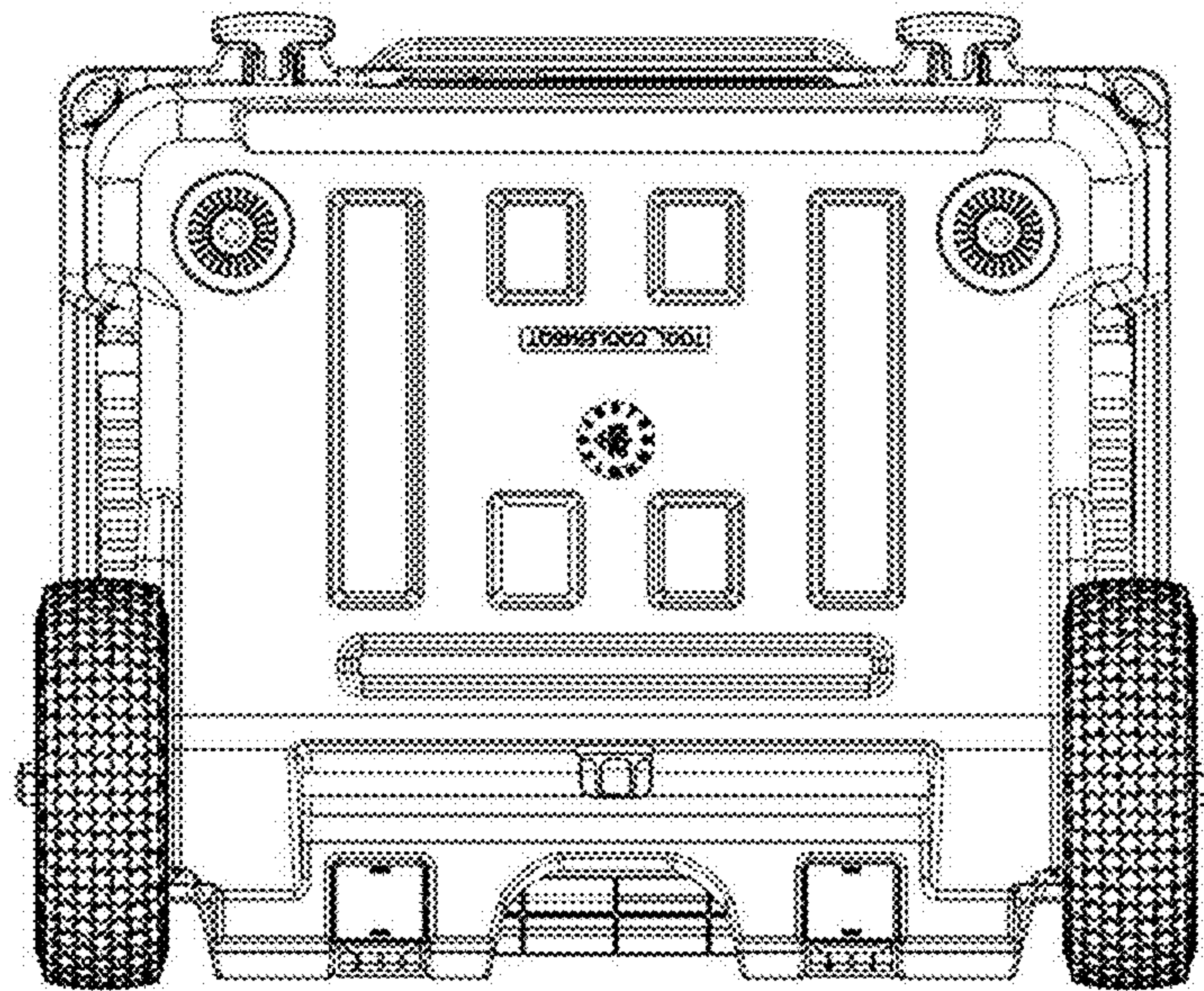


FIG. 7

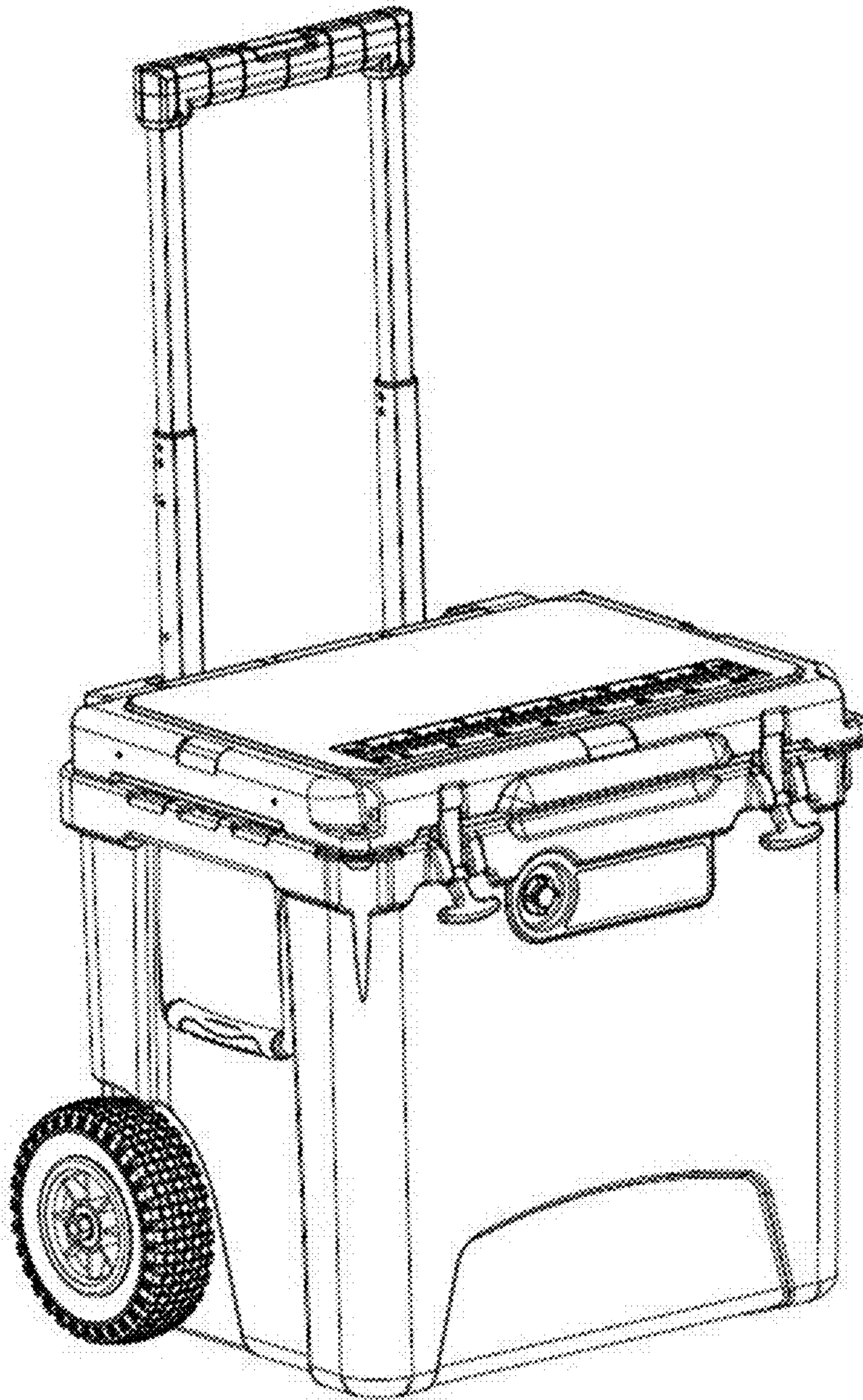


FIG. 8

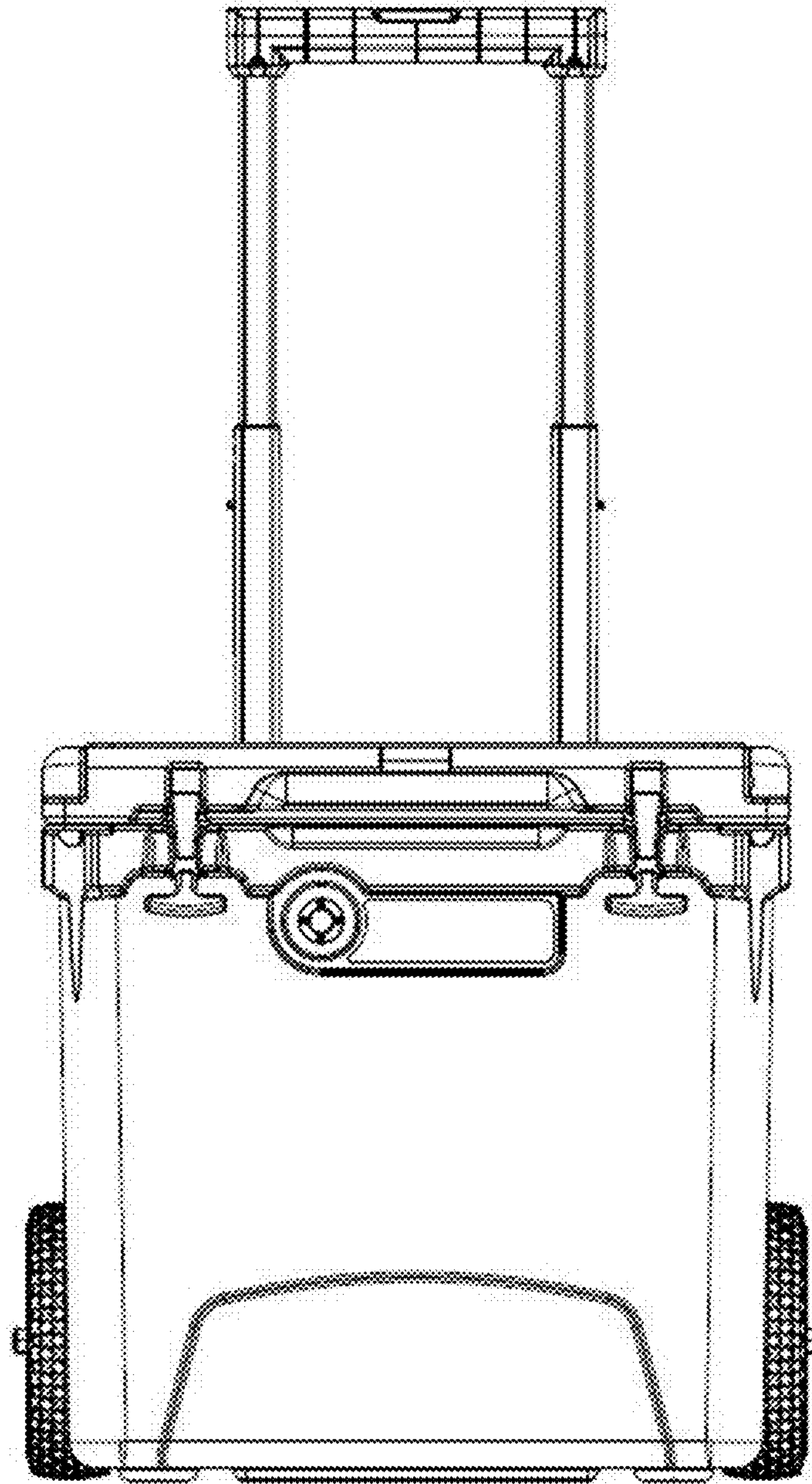


FIG. 9

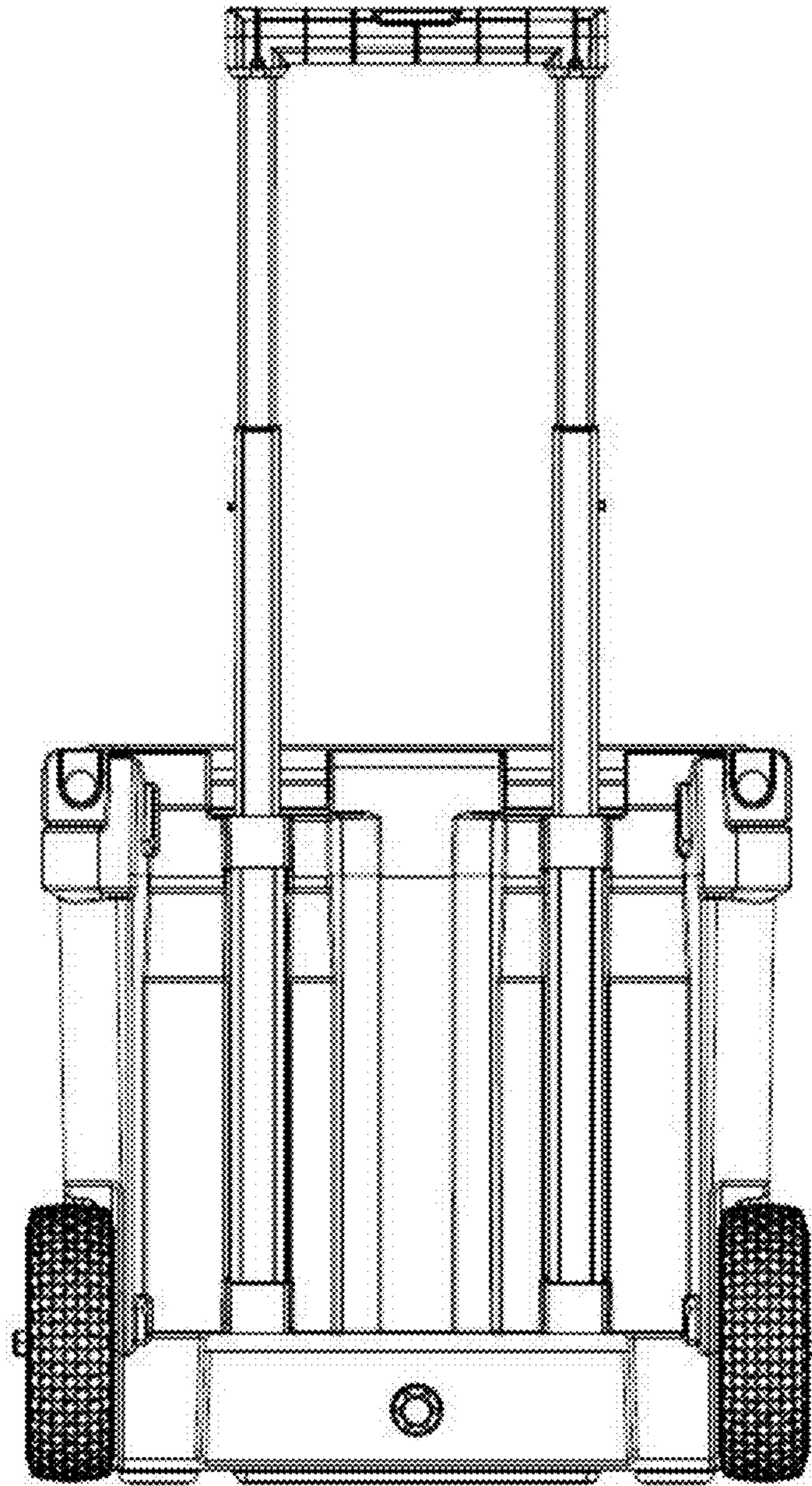


FIG. 10

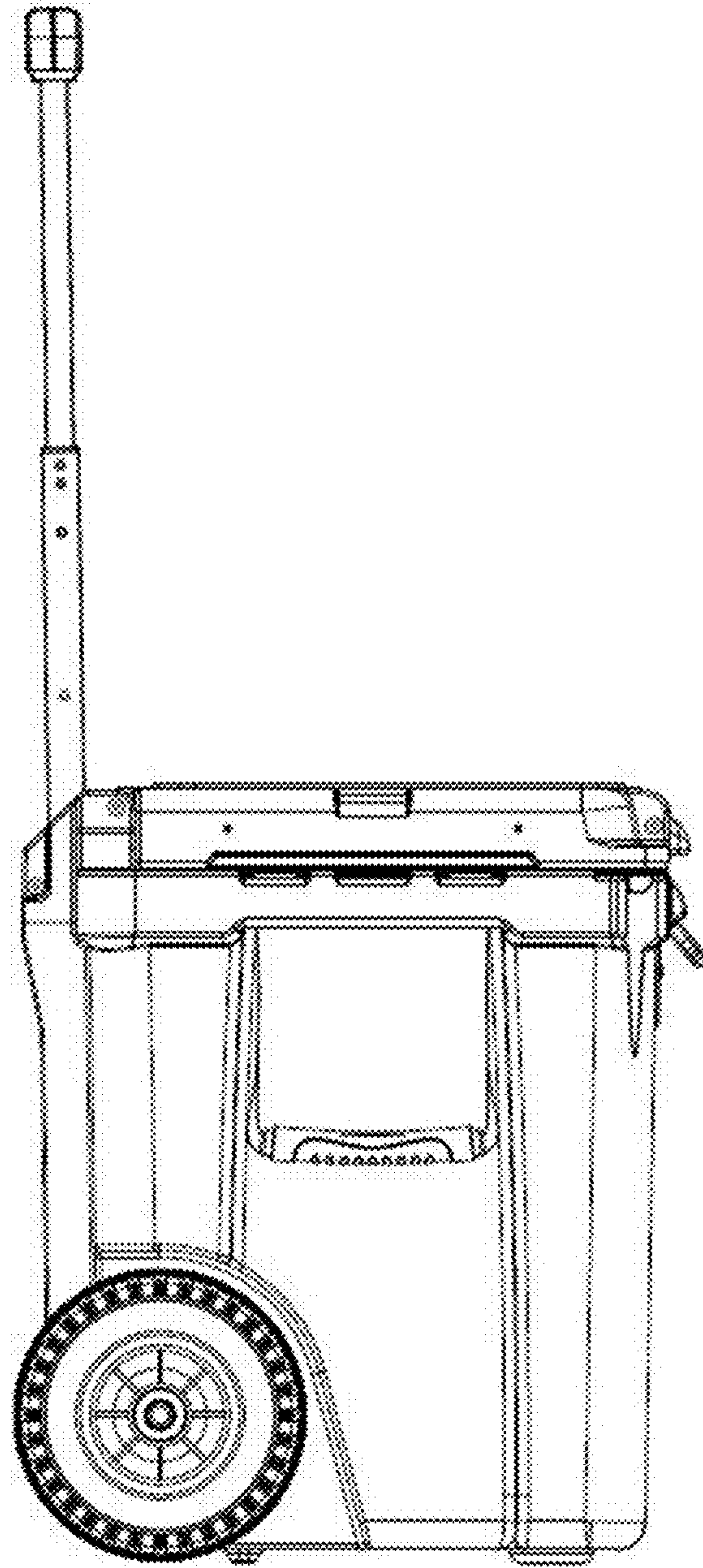


FIG. 11

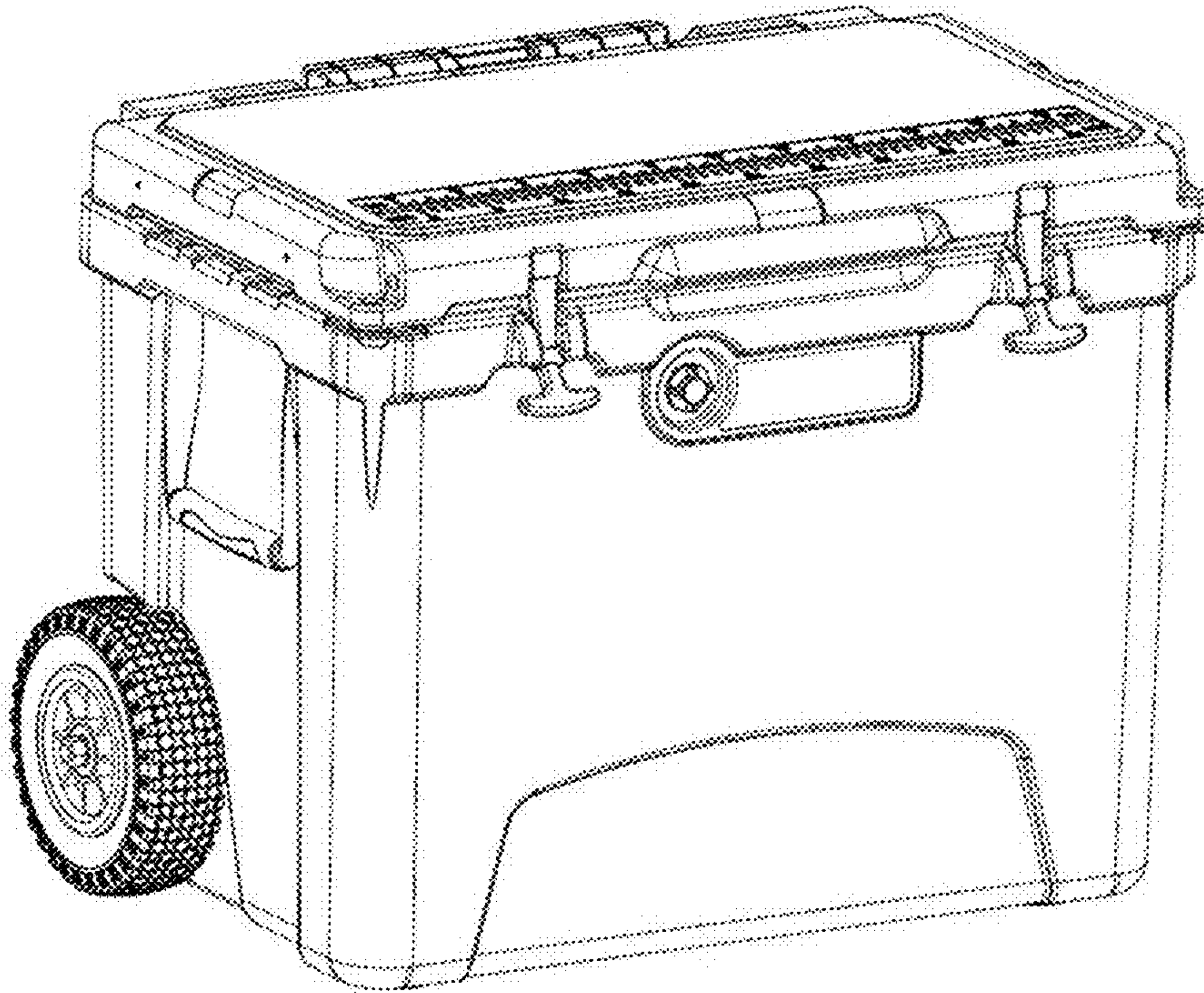


FIG. 12

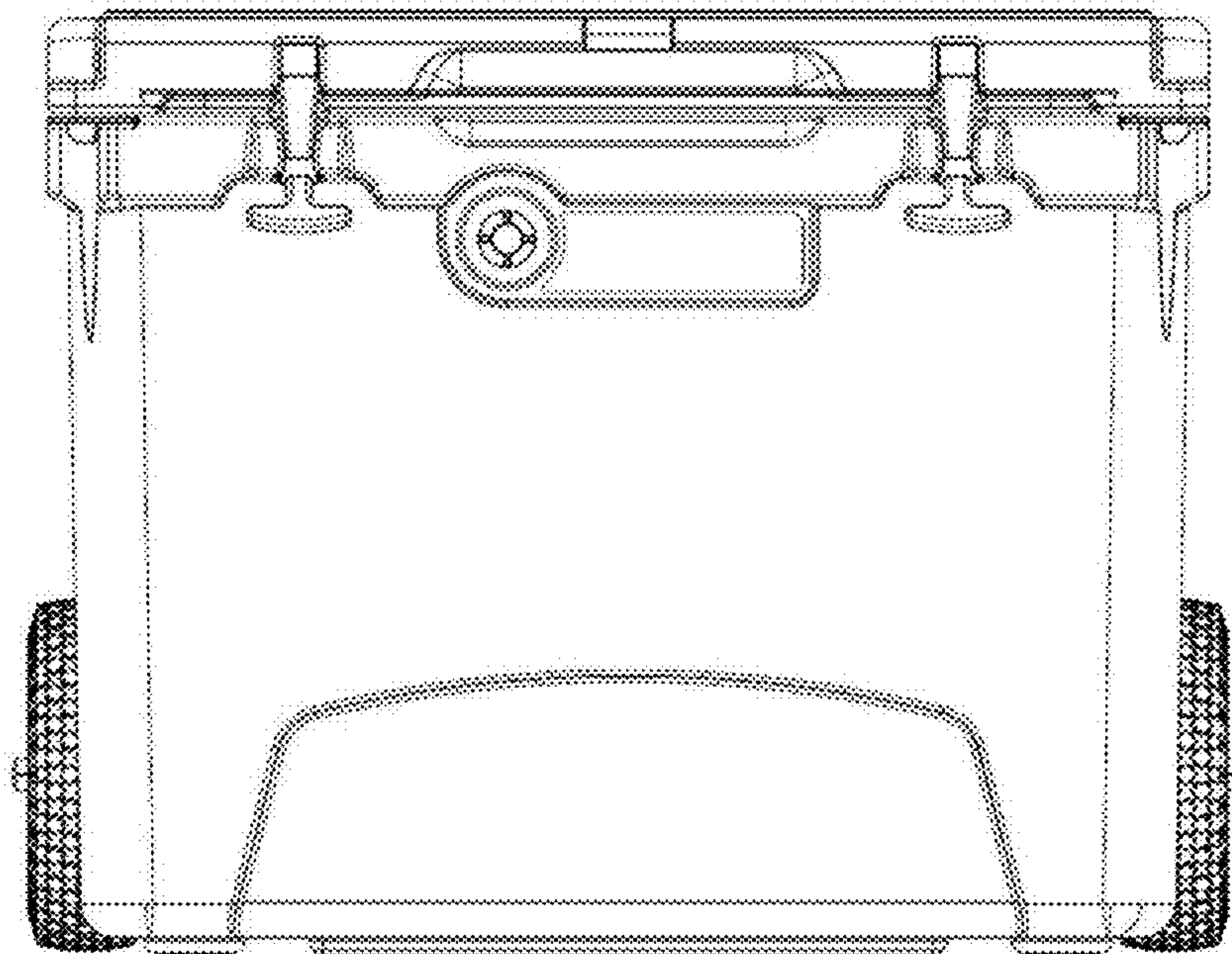


FIG. 13

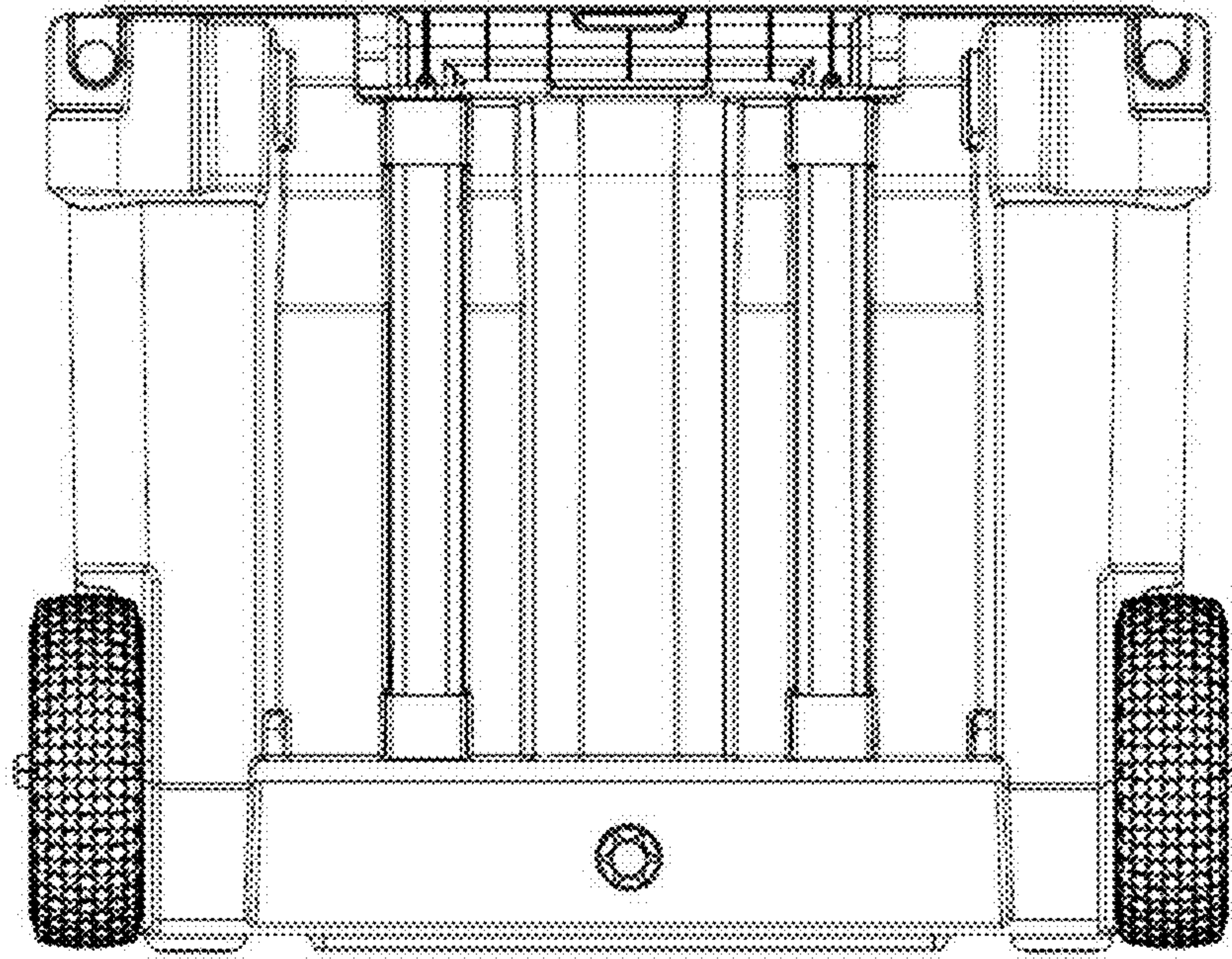


FIG. 14

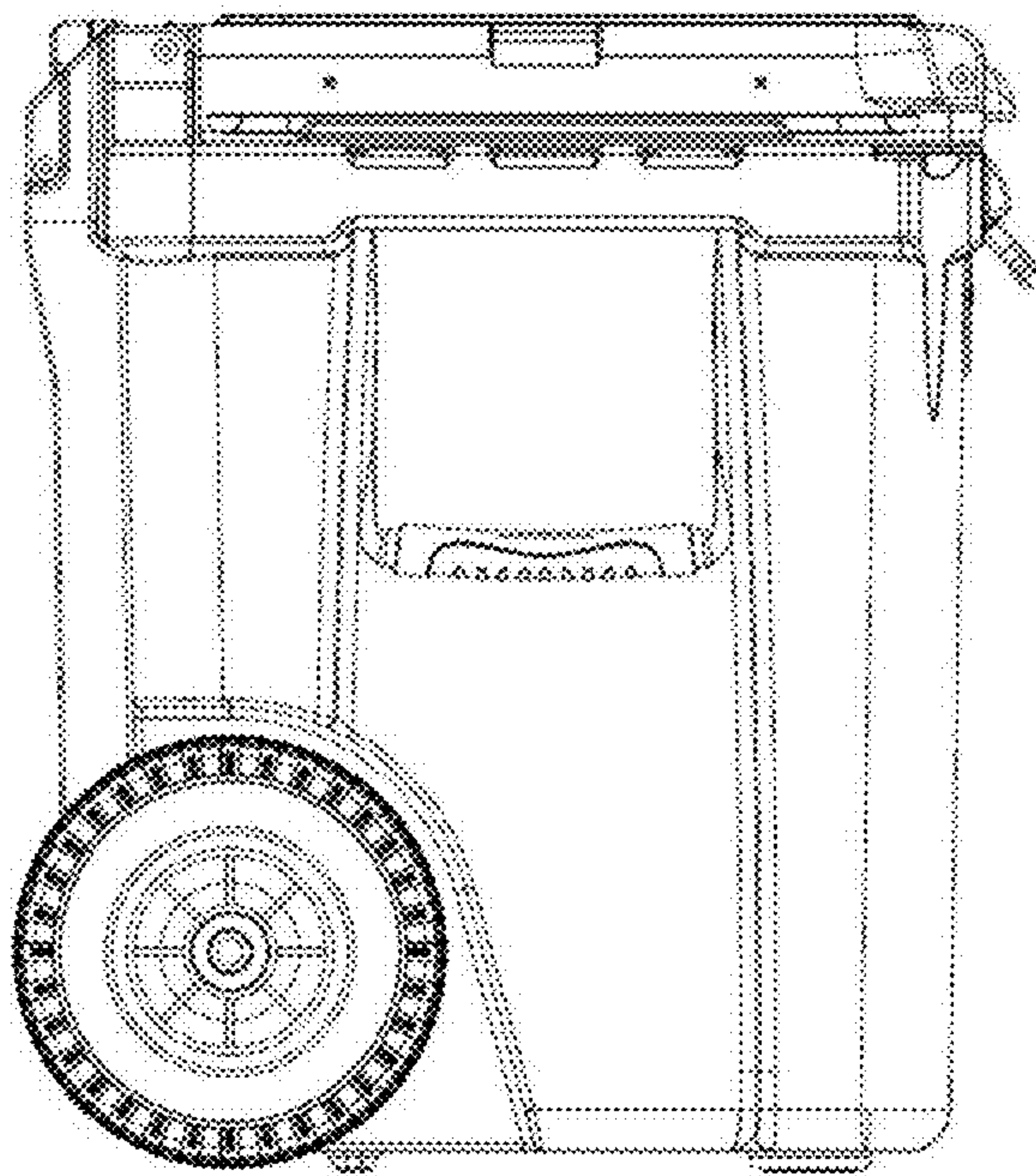


FIG. 15

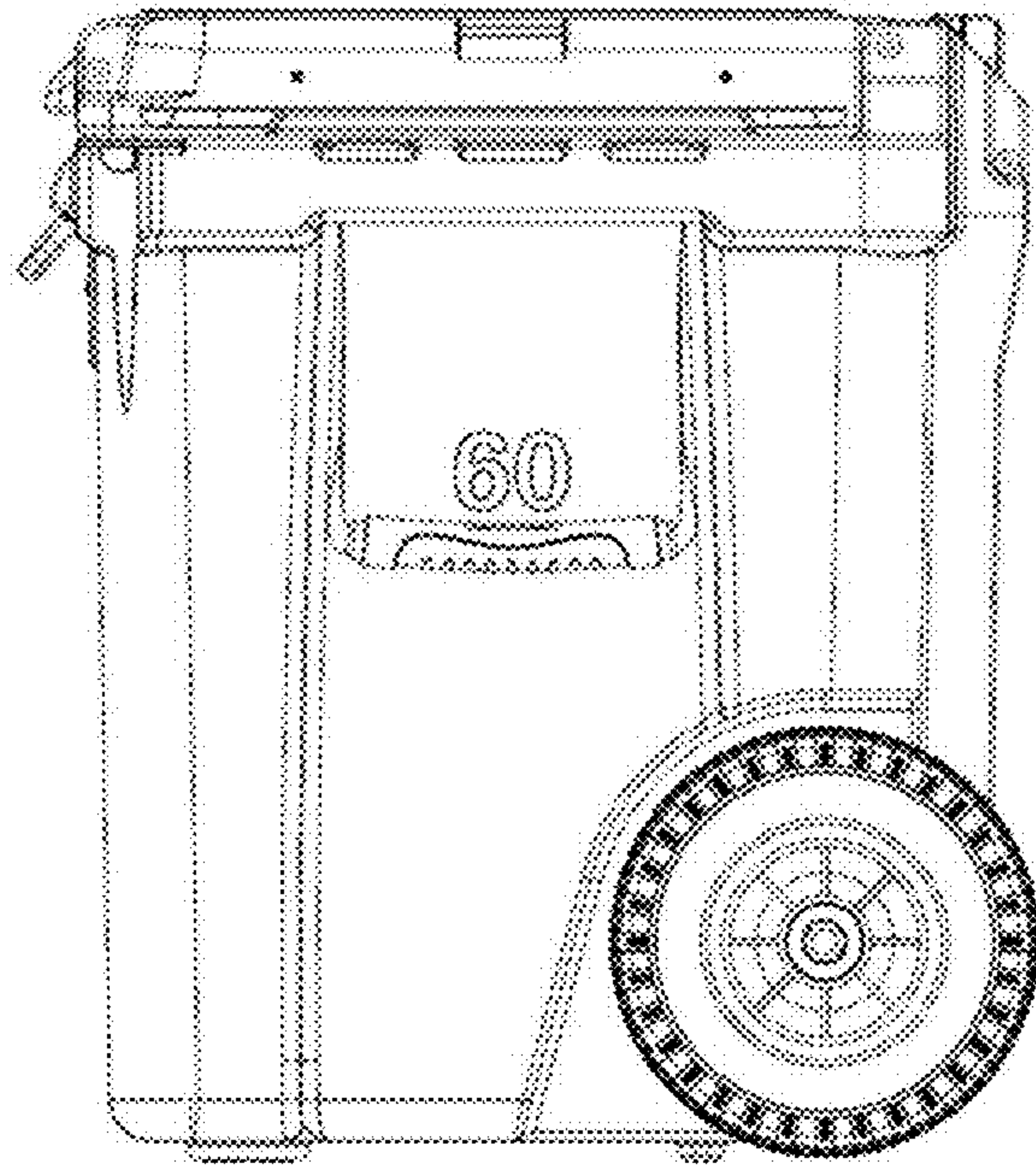


FIG. 16

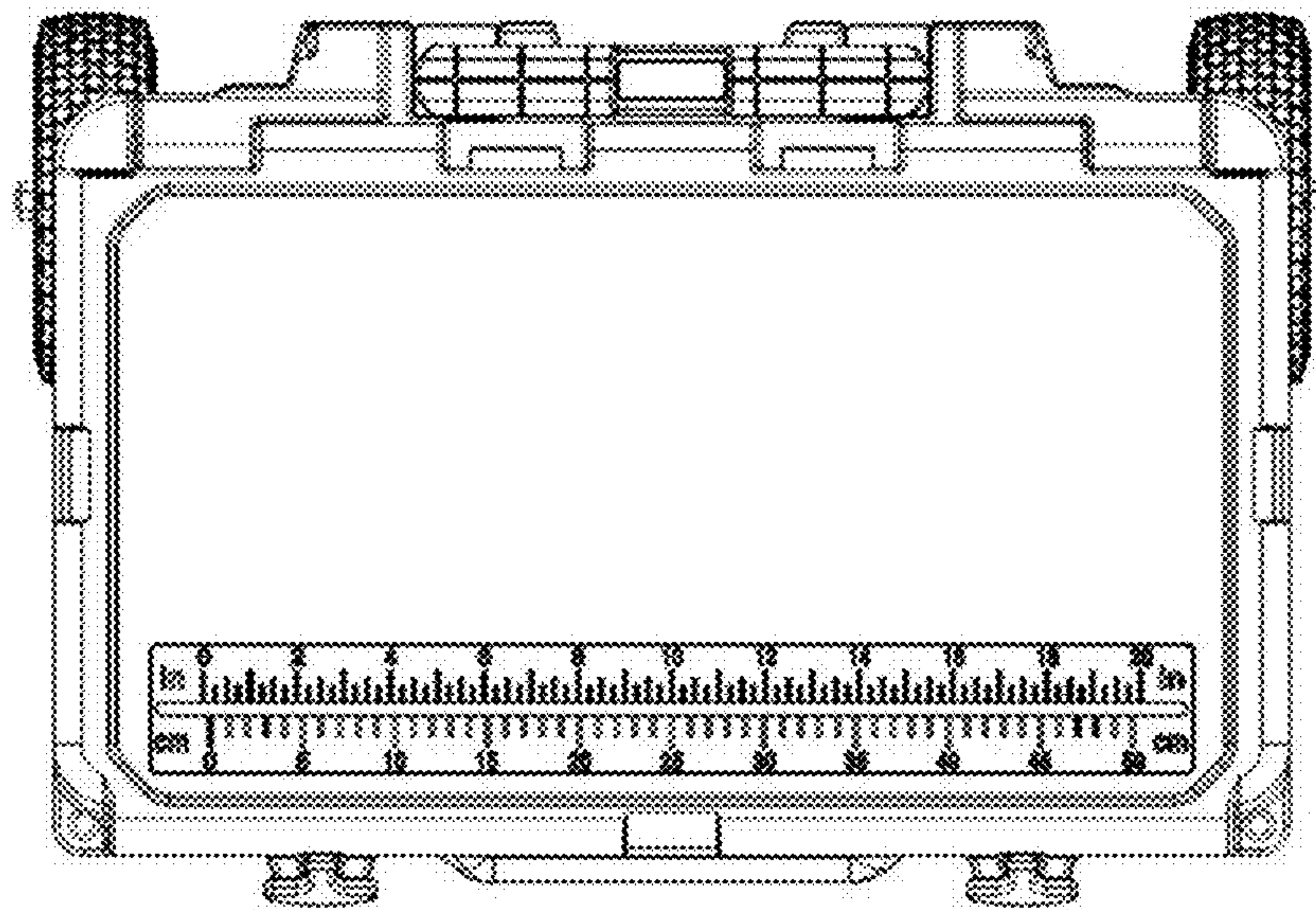


FIG. 17

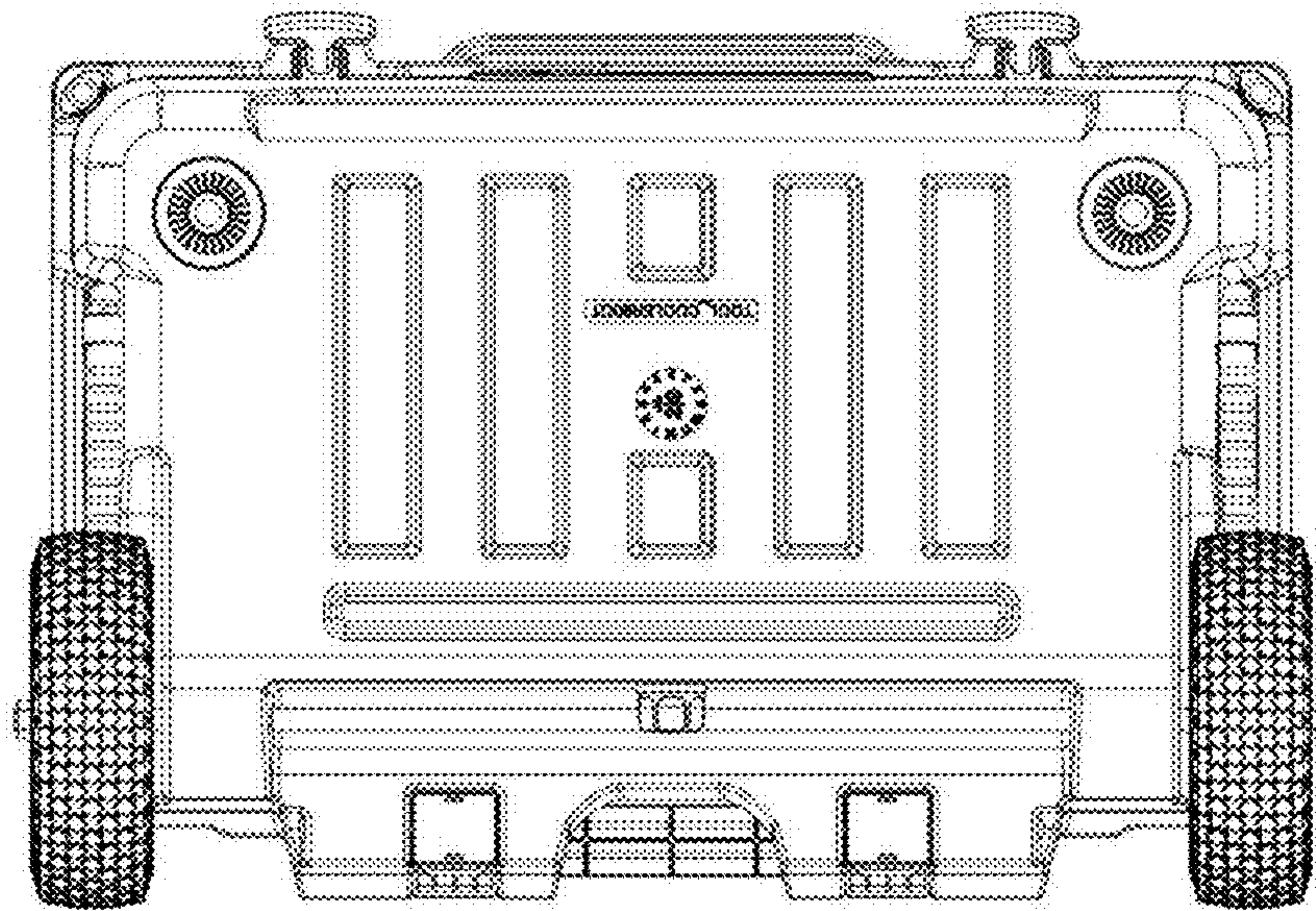


FIG. 18

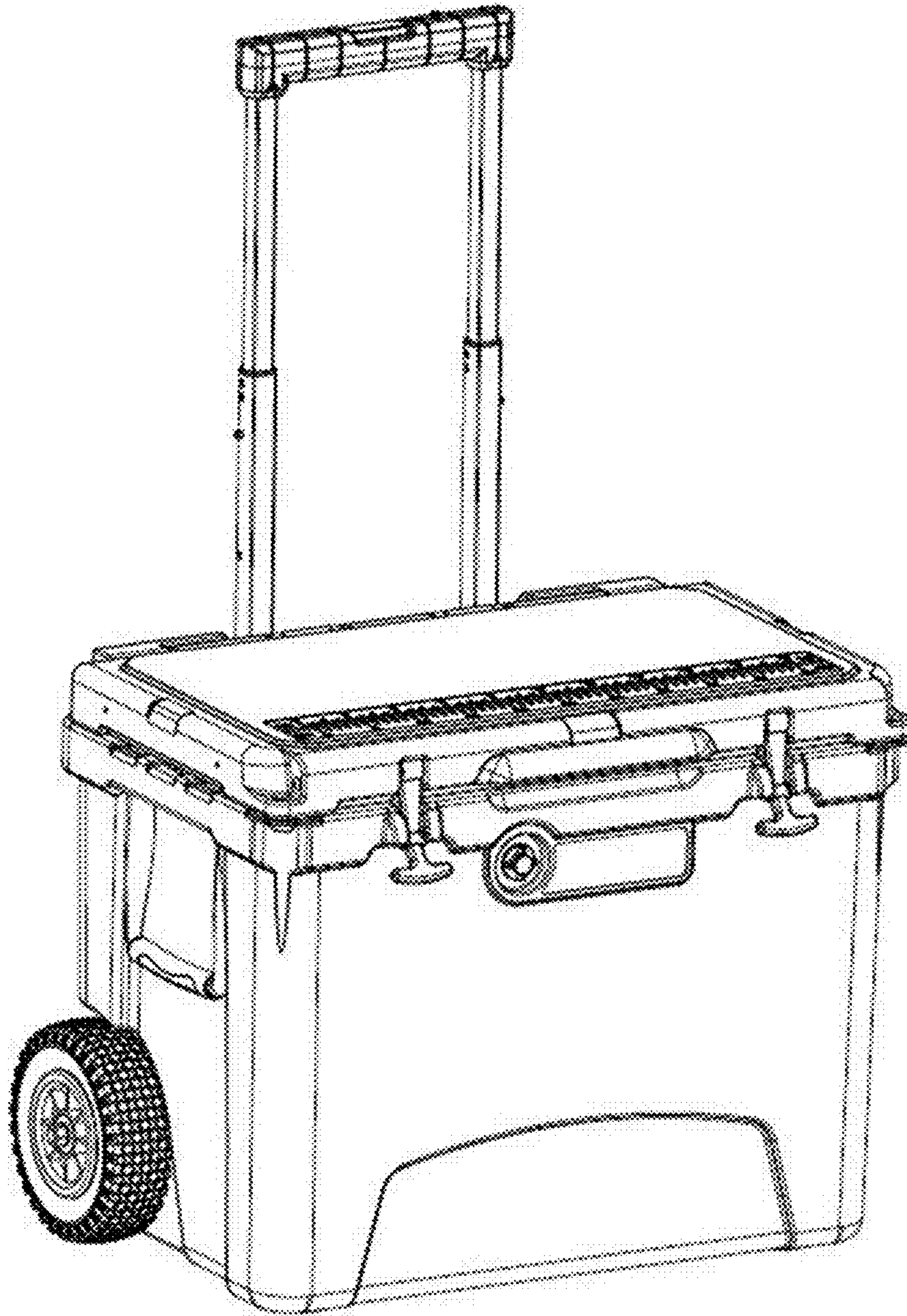


FIG. 19

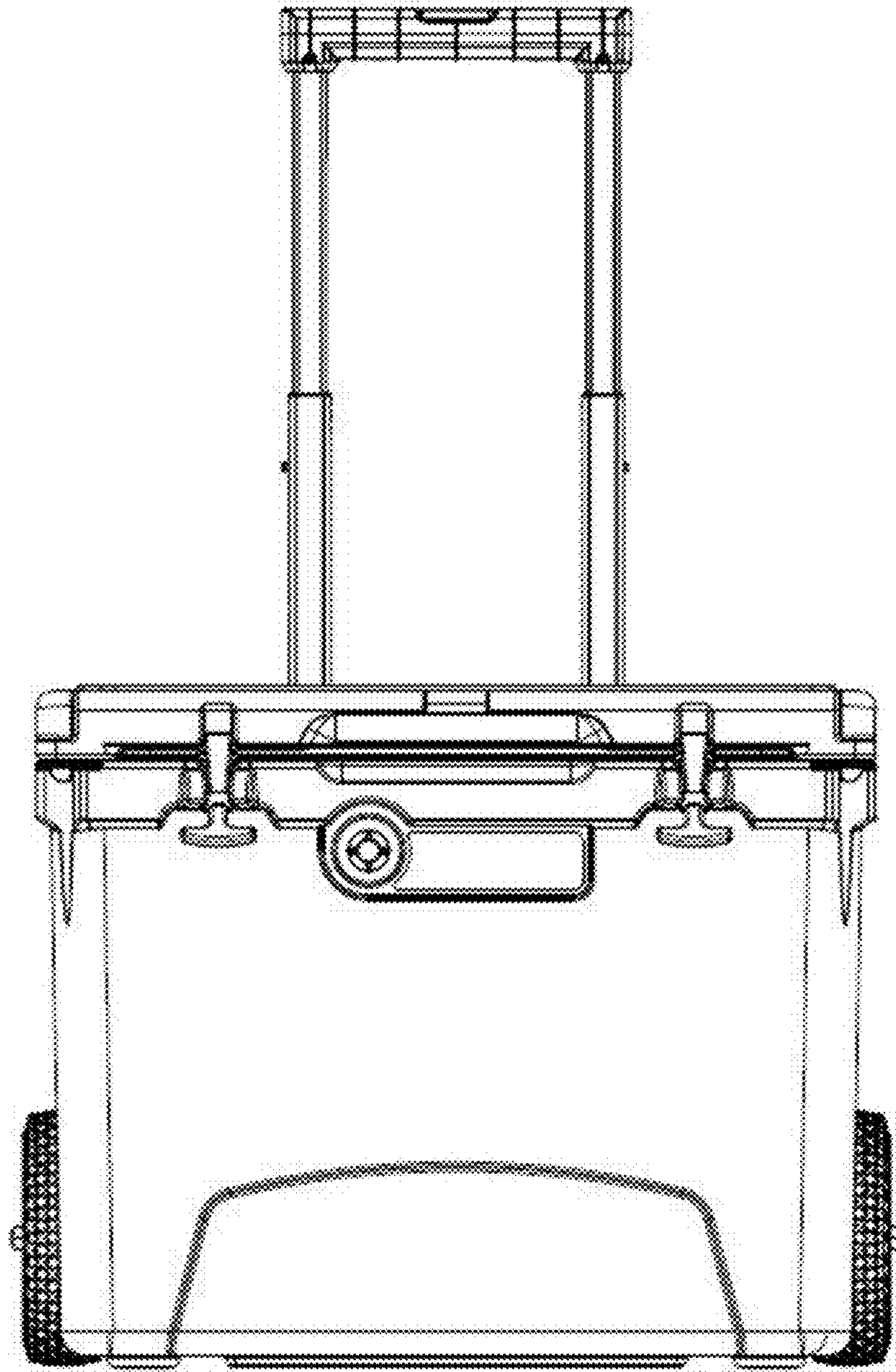


FIG. 20

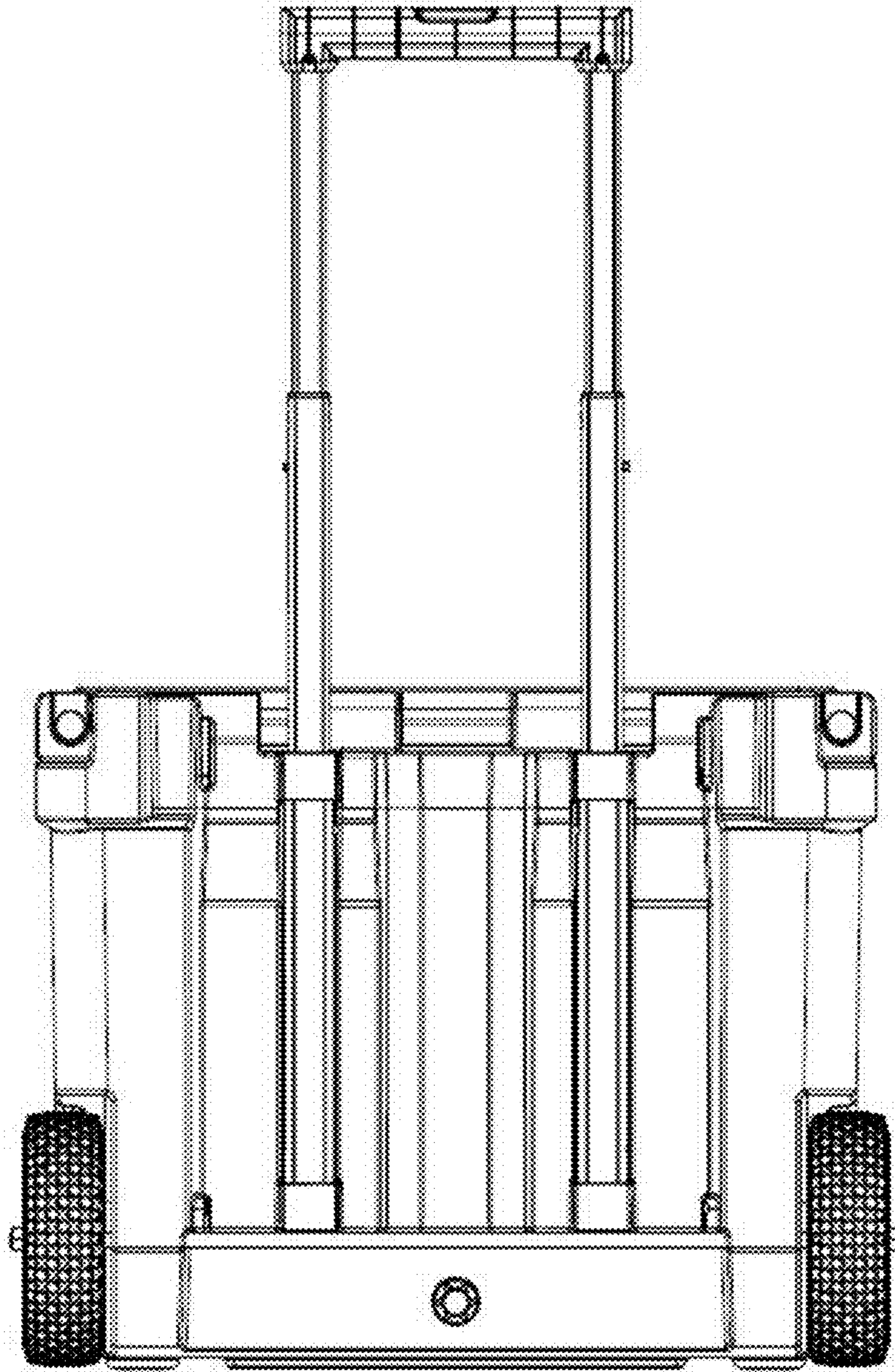


FIG. 21

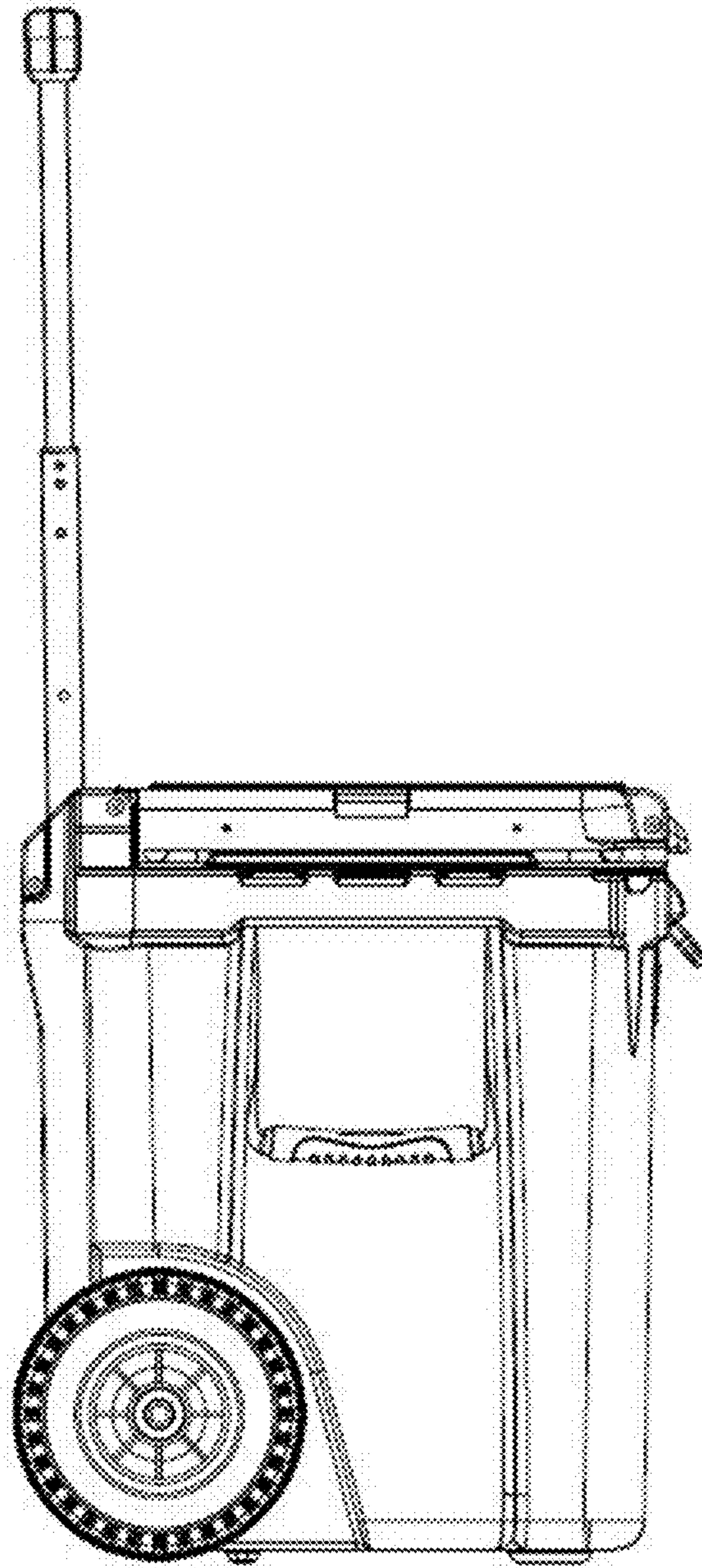


FIG. 22