



US00D955821S

(12) **United States Design Patent**  
**Agbato**

(10) **Patent No.:** **US D955,821 S**

(45) **Date of Patent:** **\*\* Jun. 28, 2022**

(54) **COOLER**

(71) Applicant: **Olufemi A. Agbato**, Alpharetta, GA  
(US)

(72) Inventor: **Olufemi A. Agbato**, Alpharetta, GA  
(US)

(73) Assignee: **Dam Coolers, LLC**, Alpharetta, GA  
(US)

(\*\*) Term: **15 Years**

(21) Appl. No.: **29/741,434**

(22) Filed: **Jul. 13, 2020**

(51) **LOC (13) Cl.** ..... **07-07**

(52) **U.S. Cl.**  
USPC ..... **D7/605**

(58) **Field of Classification Search**  
USPC ..... D3/217, 245, 289, 318; D7/313, 391,  
D7/603, 605, 606, 607, 608; D9/434  
CPC . B65D 1/00; B65D 1/22; B65D 81/18; B65D  
81/2015; B65D 81/2038; B65D 81/38;  
B65D 81/3806; B65D 81/3813; B65D  
81/3818; B65D 81/383  
See application file for complete search history.

(56) **References Cited**

**U.S. PATENT DOCUMENTS**

8,910,819	B2 *	12/2014	Seiders	.....	E05B 65/52 220/592.2
D827,386	S *	9/2018	Ichikawa	.....	D7/605
D835,948	S *	12/2018	Jacobsen	.....	D7/605
D836,402	S *	12/2018	Jacobsen	.....	D7/605
D836,994	S *	1/2019	Meda	.....	D7/605
D836,995	S *	1/2019	Carey	.....	D7/605
D845,080	S *	4/2019	Jacobsen	.....	D7/605
D880,252	S *	4/2020	Jacobsen	.....	D7/605
D888,503	S *	6/2020	Meda	.....	D7/605
10,676,267	B2 *	6/2020	Seiders	.....	B65B 31/04
D895,375	S *	9/2020	Hurley, Jr.	.....	B65D 53/02 D7/605

D919,373	S *	5/2021	Xiong	.....	D7/605
D925,296	S *	7/2021	Bullock	.....	B65D 45/24 D7/605
D930,440	S *	9/2021	Astle	.....	B65D 3/06 D7/605
D930,441	S *	9/2021	Seiders	.....	D7/605

(Continued)

**OTHER PUBLICATIONS**

DAM 25, DAM Coolers.com. Retrieved from the internet: Feb. 24, 2022<URL:https://www.damcoolers.com/product/dam25/ (Year: 2020).\*

*Primary Examiner* — Joseph Kukella  
*Assistant Examiner* — Darryl J Dardenne

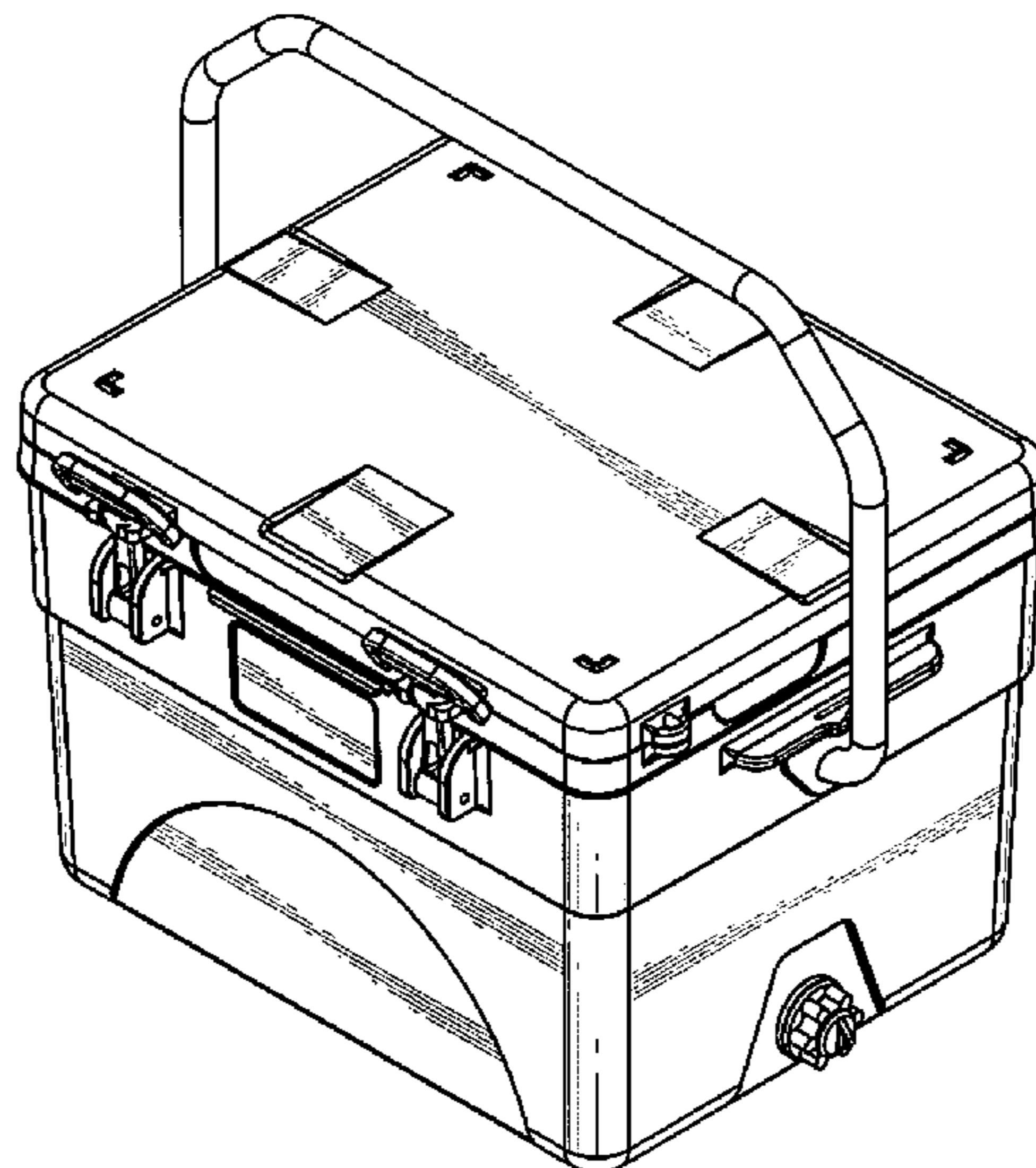
(57) **CLAIM**

The ornamental design for a cooler, as shown and described.

**DESCRIPTION**

FIG. 1 is a perspective view of a cooler showing my new design;  
FIG. 2 is a rear perspective view thereof;  
FIG. 3 is a perspective view thereof showing the cooler in an open condition;  
FIG. 4 is a front elevation view thereof;  
FIG. 5 is a rear elevation view thereof;  
FIG. 6 is a top plan view thereof;  
FIG. 7 is a bottom plan view thereof;  
FIG. 8 is a left-side elevation view thereof;  
FIG. 9 is a right-side elevation view thereof;  
FIG. 10 is front elevation view thereof with the cooler in an open condition  
FIG. 11 is a front elevation with the top handle folded down;  
FIG. 12 is a bottom plan view thereof with an enlargement of the cooler feet; and,  
FIG. 13 is a bottom perspective view anti enlargement of the cooler feet.

**1 Claim, 13 Drawing Sheets**



(56)

**References Cited**

U.S. PATENT DOCUMENTS

D942,812 S \* 2/2022 Luo ..... B65D 81/3823  
D7/605  
D944,299 S \* 2/2022 Astle ..... D15/79  
2017/0305605 A1\* 10/2017 Sonntag ..... B65D 81/3823  
2017/0313492 A1\* 11/2017 Seiders ..... B65D 81/3823  
2018/0186547 A1\* 7/2018 Morine ..... B65D 3/06  
2019/0092530 A1\* 3/2019 Seiders ..... B65D 53/02

\* cited by examiner

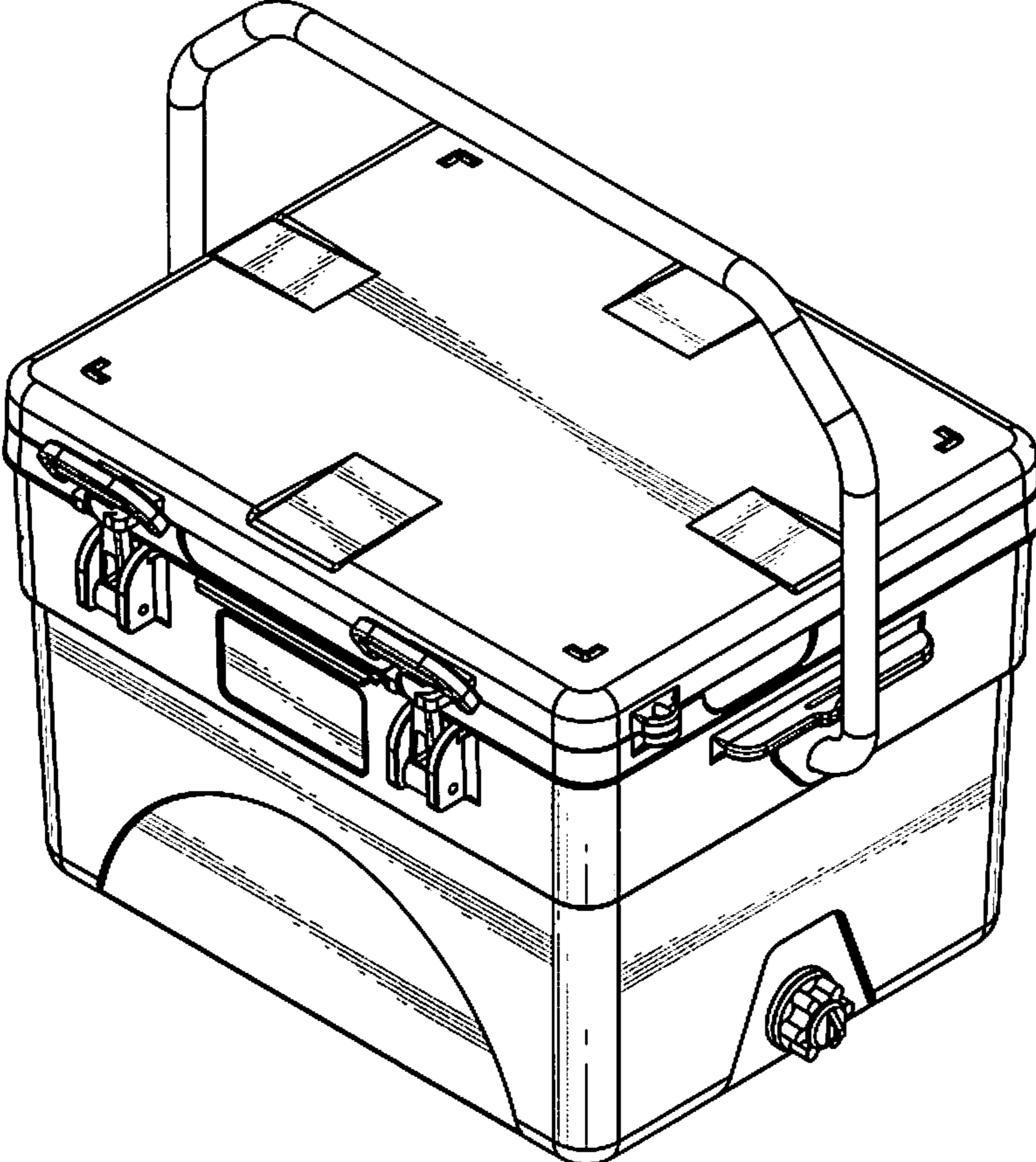


FIG. 1

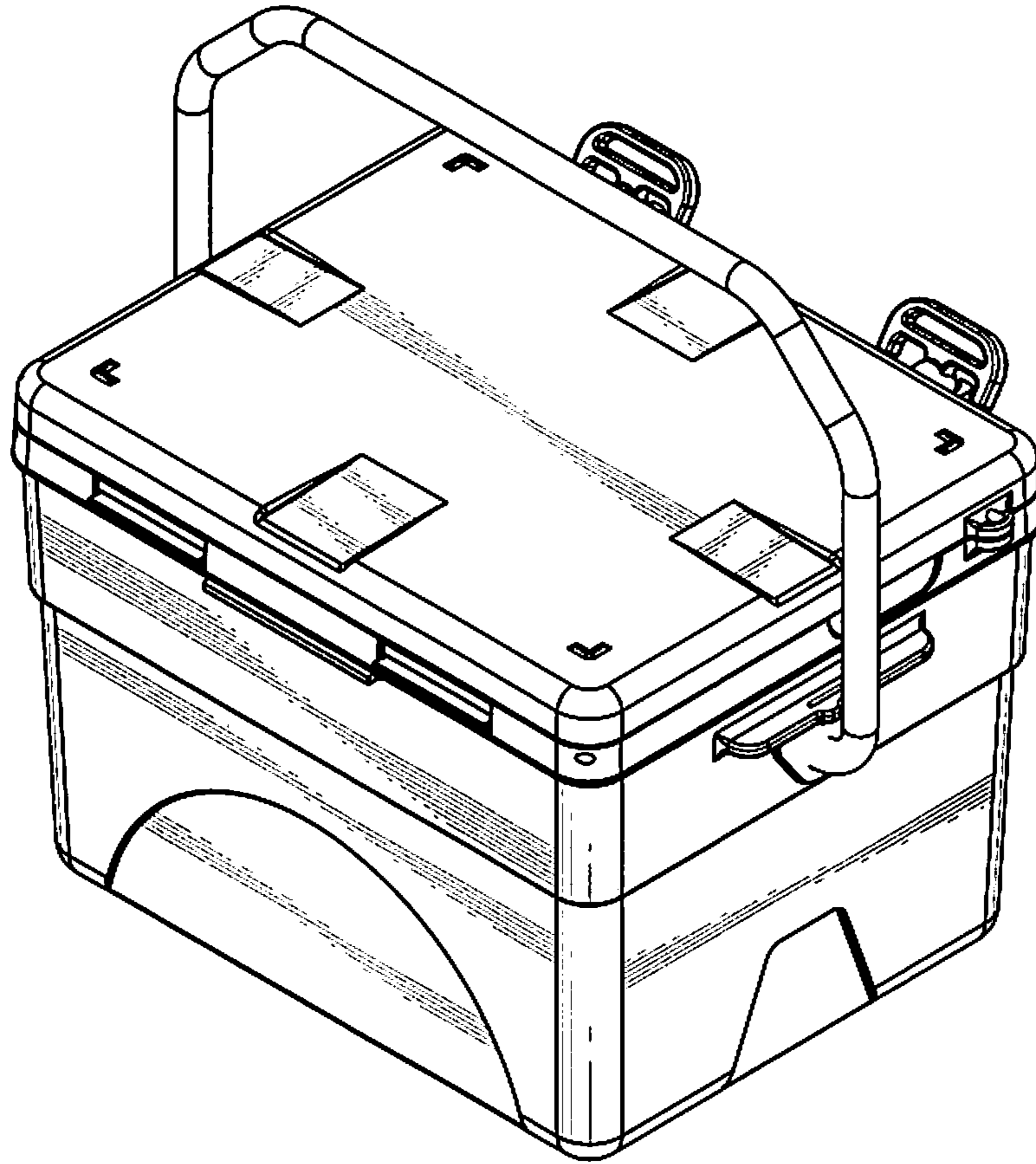


FIG. 2

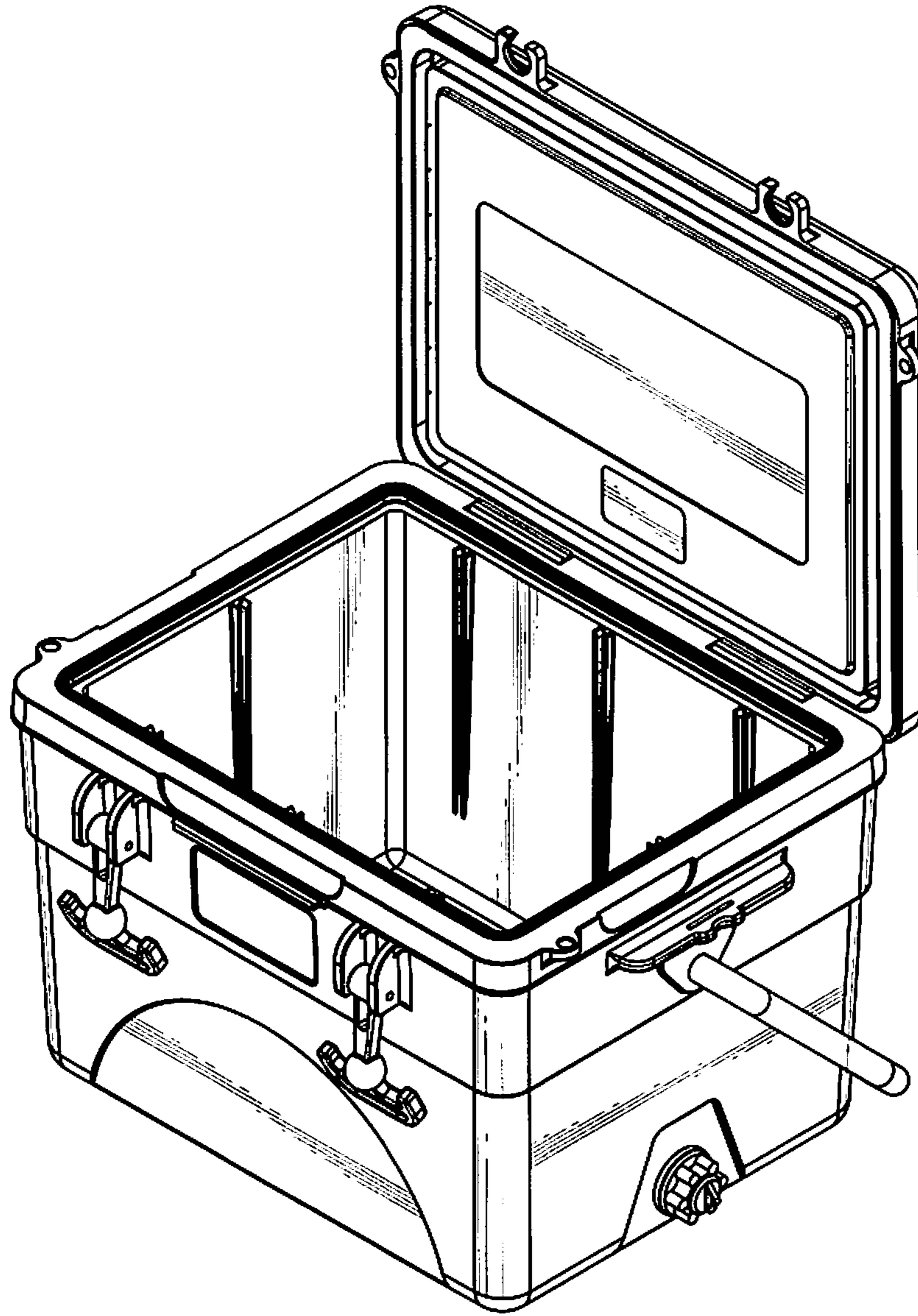


FIG. 3

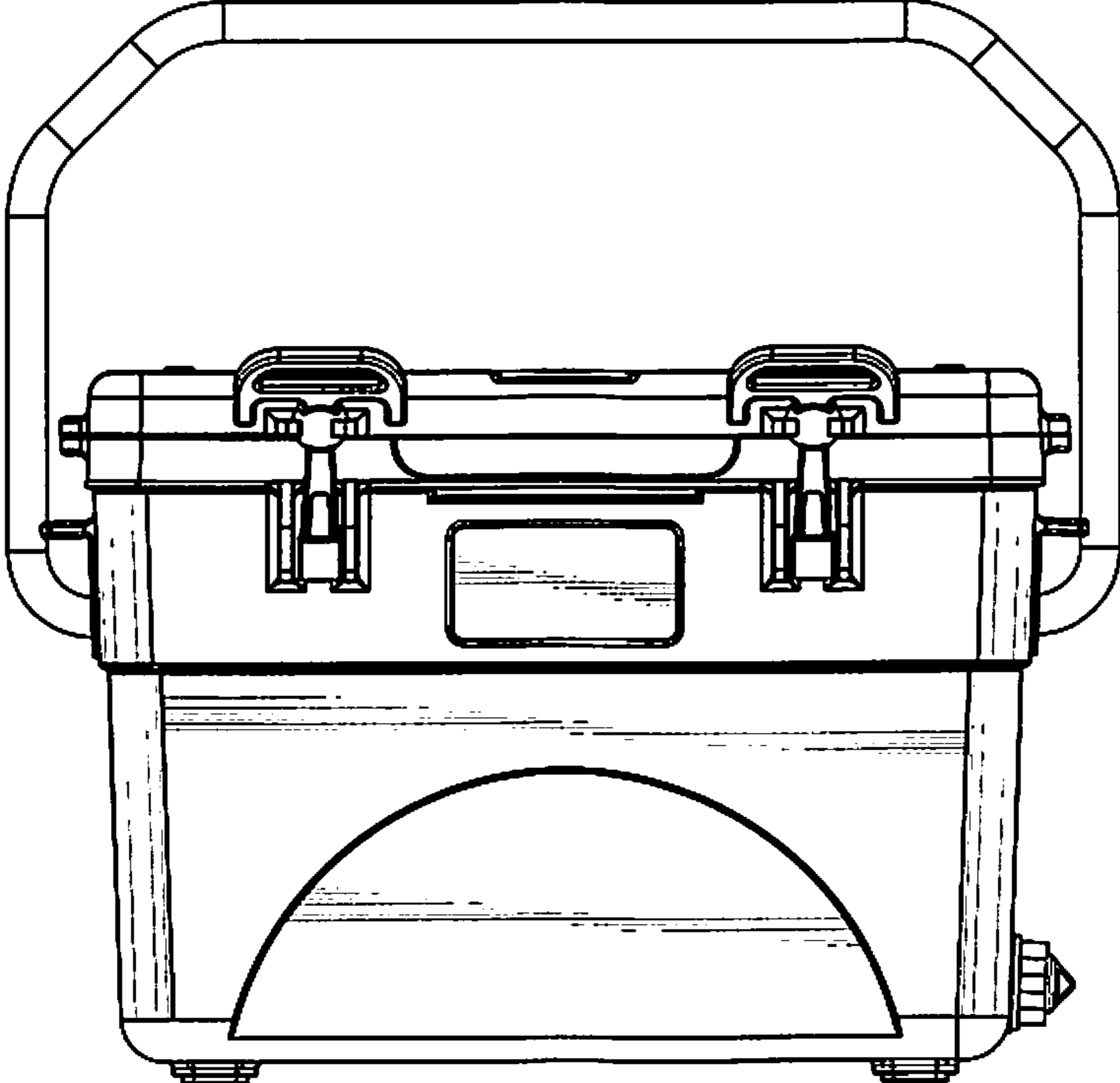


FIG. 4

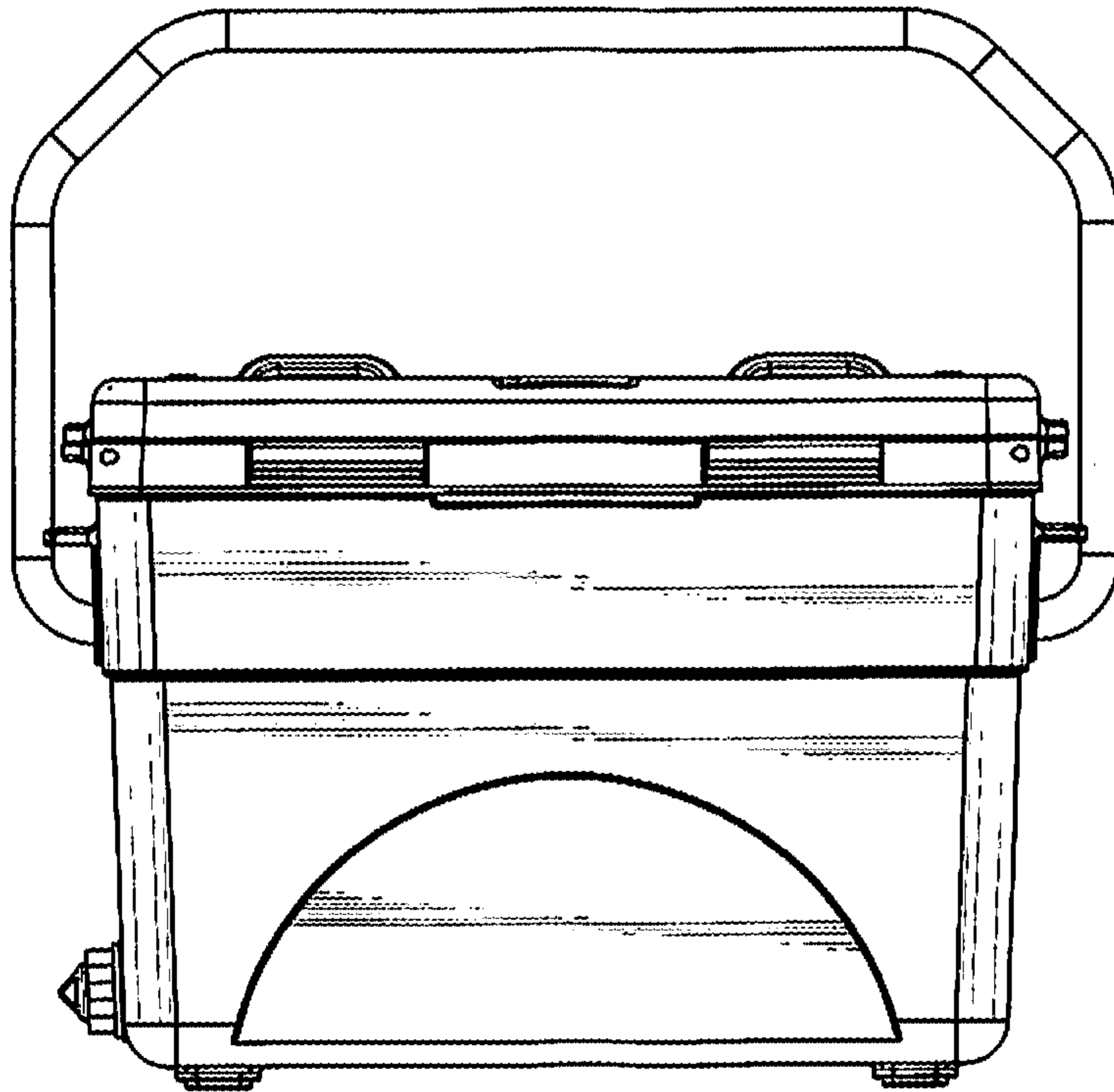


FIG. 5

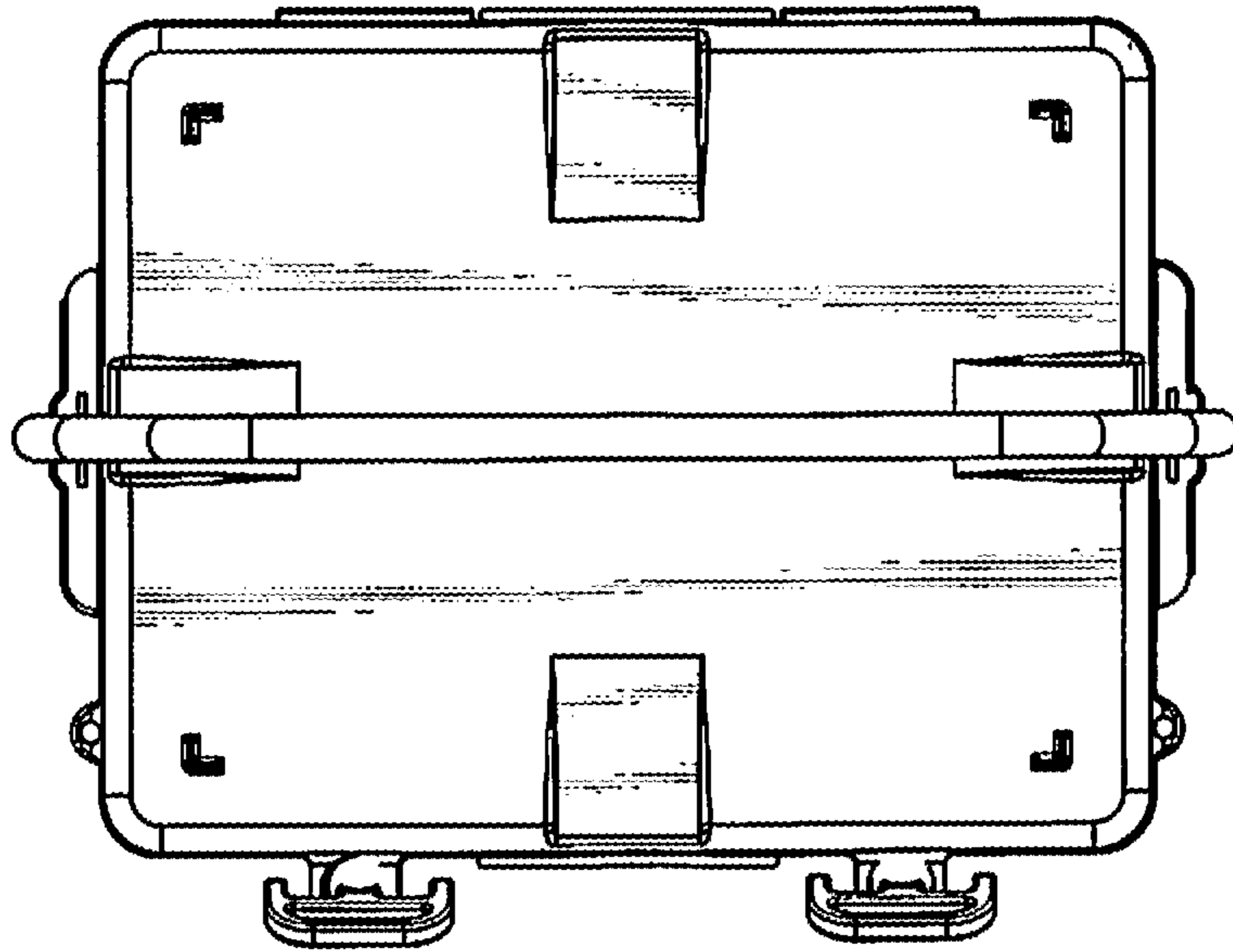


FIG. 6



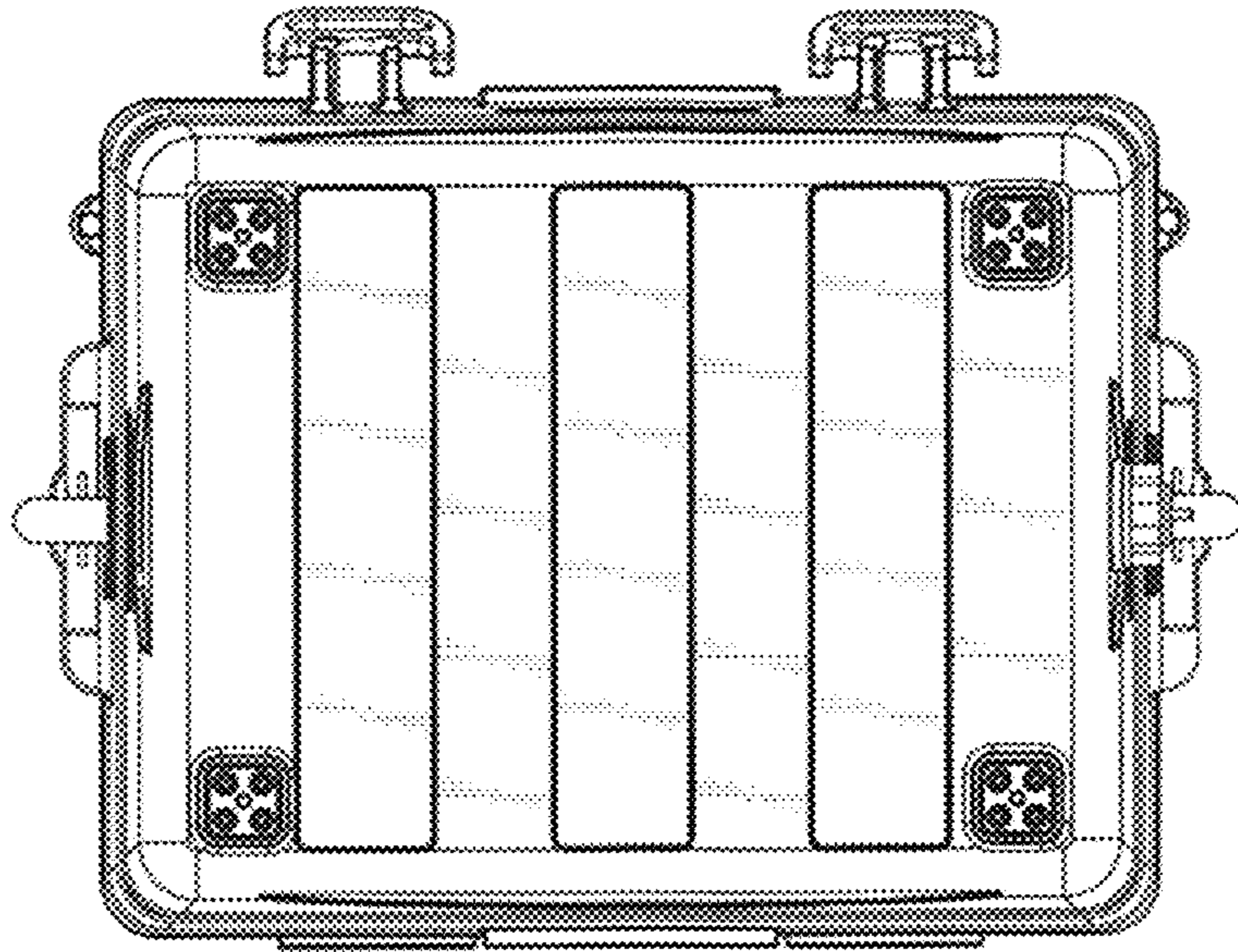


FIG. 7

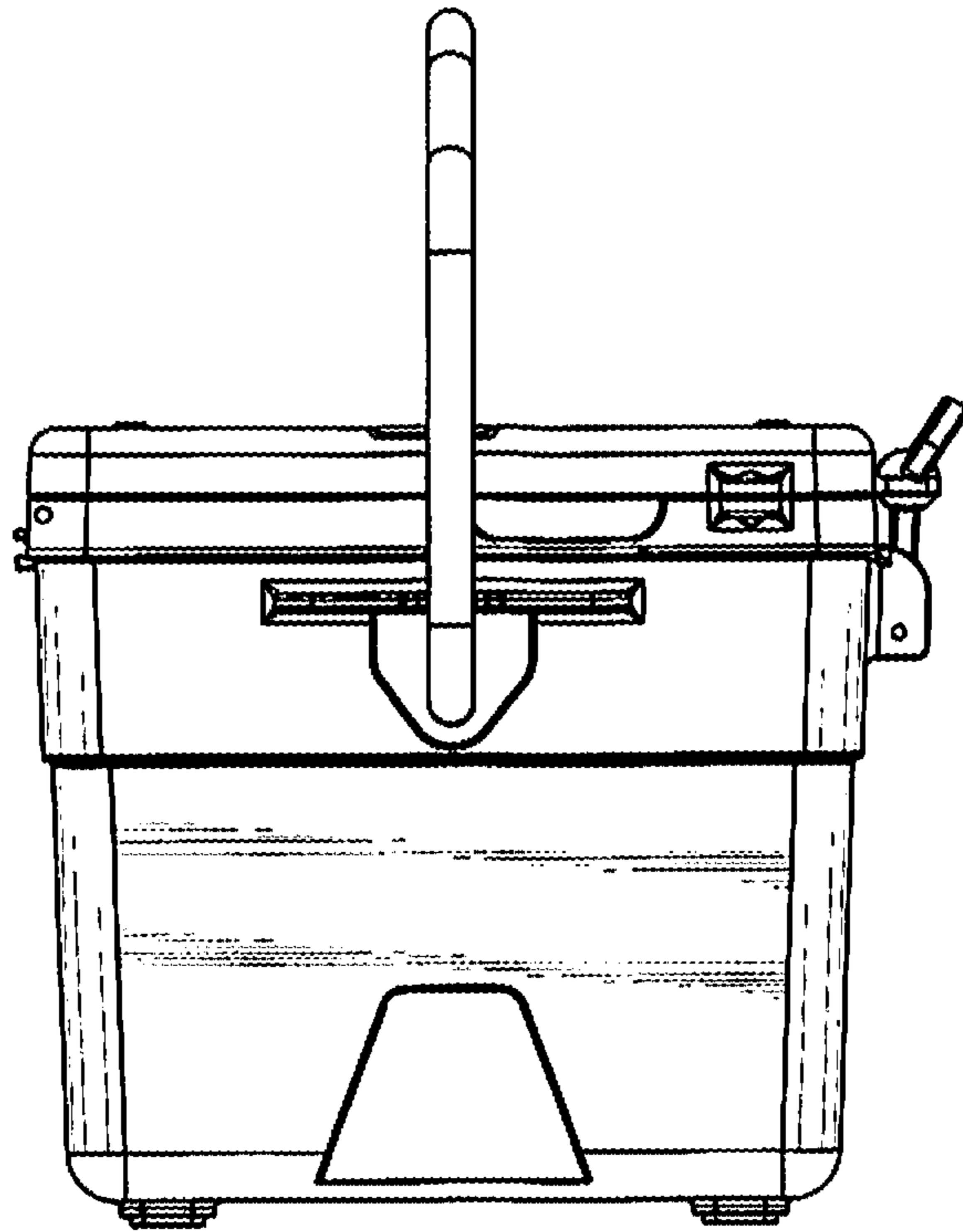


FIG. 8

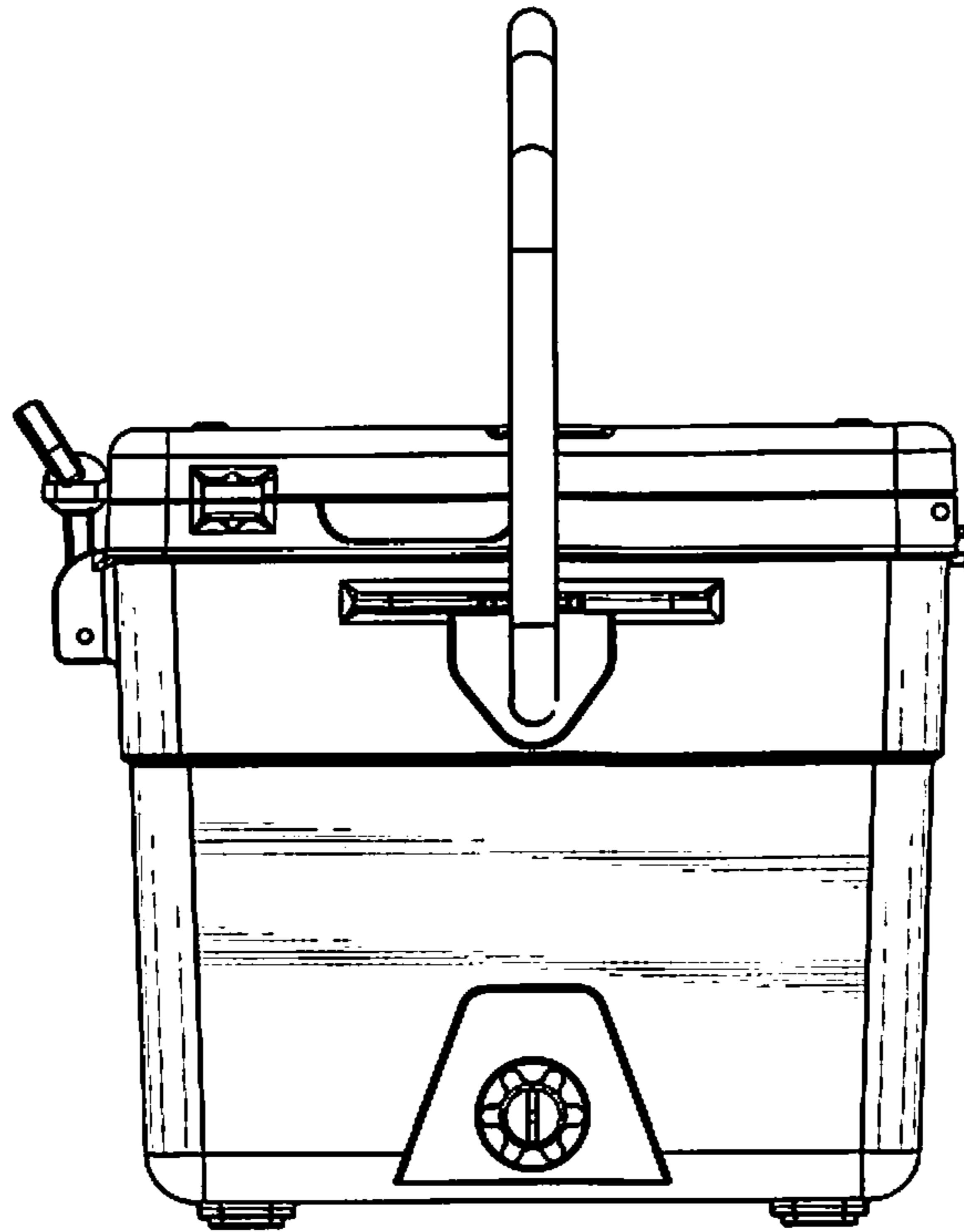


FIG. 9

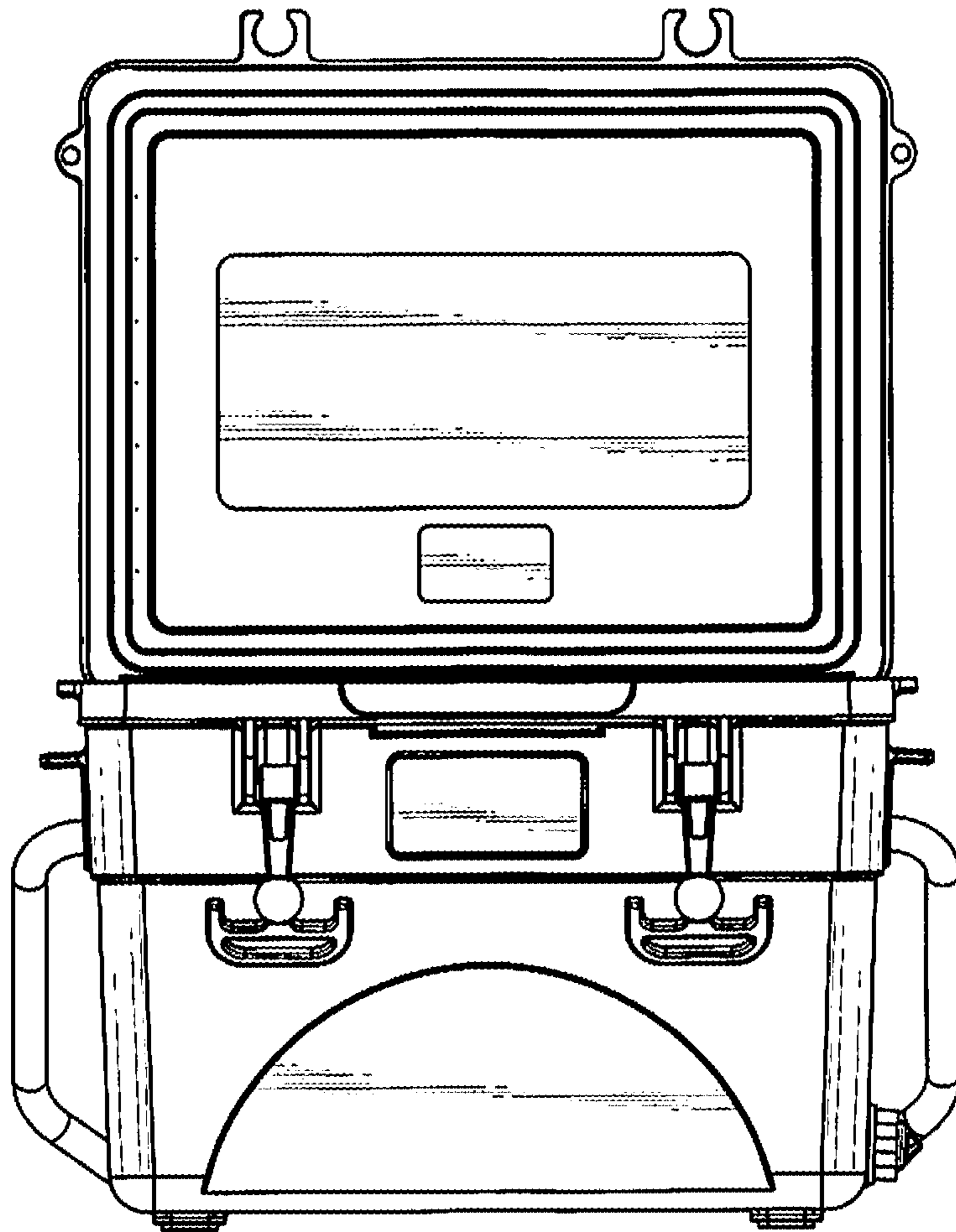


FIG. 10

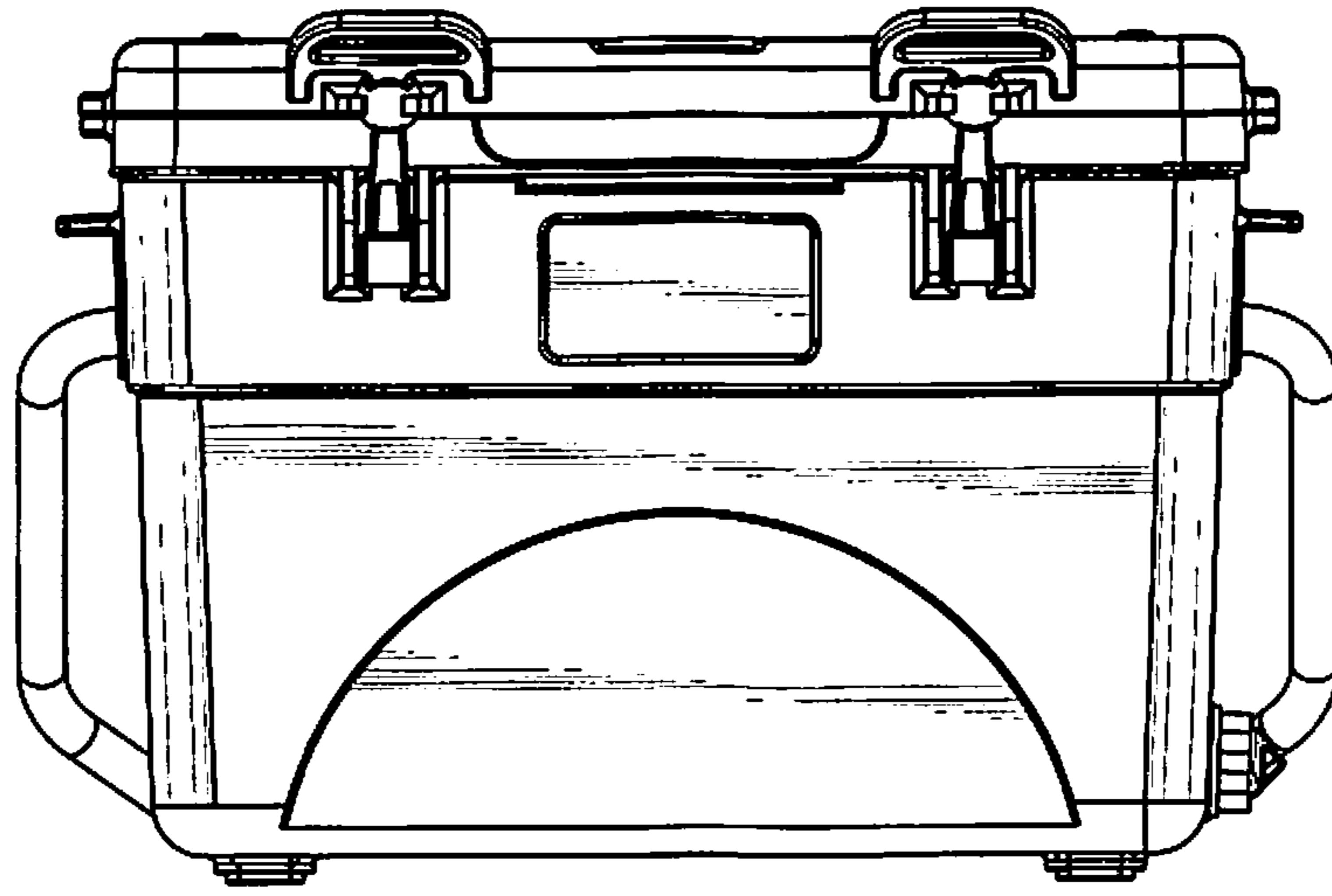


FIG. 11

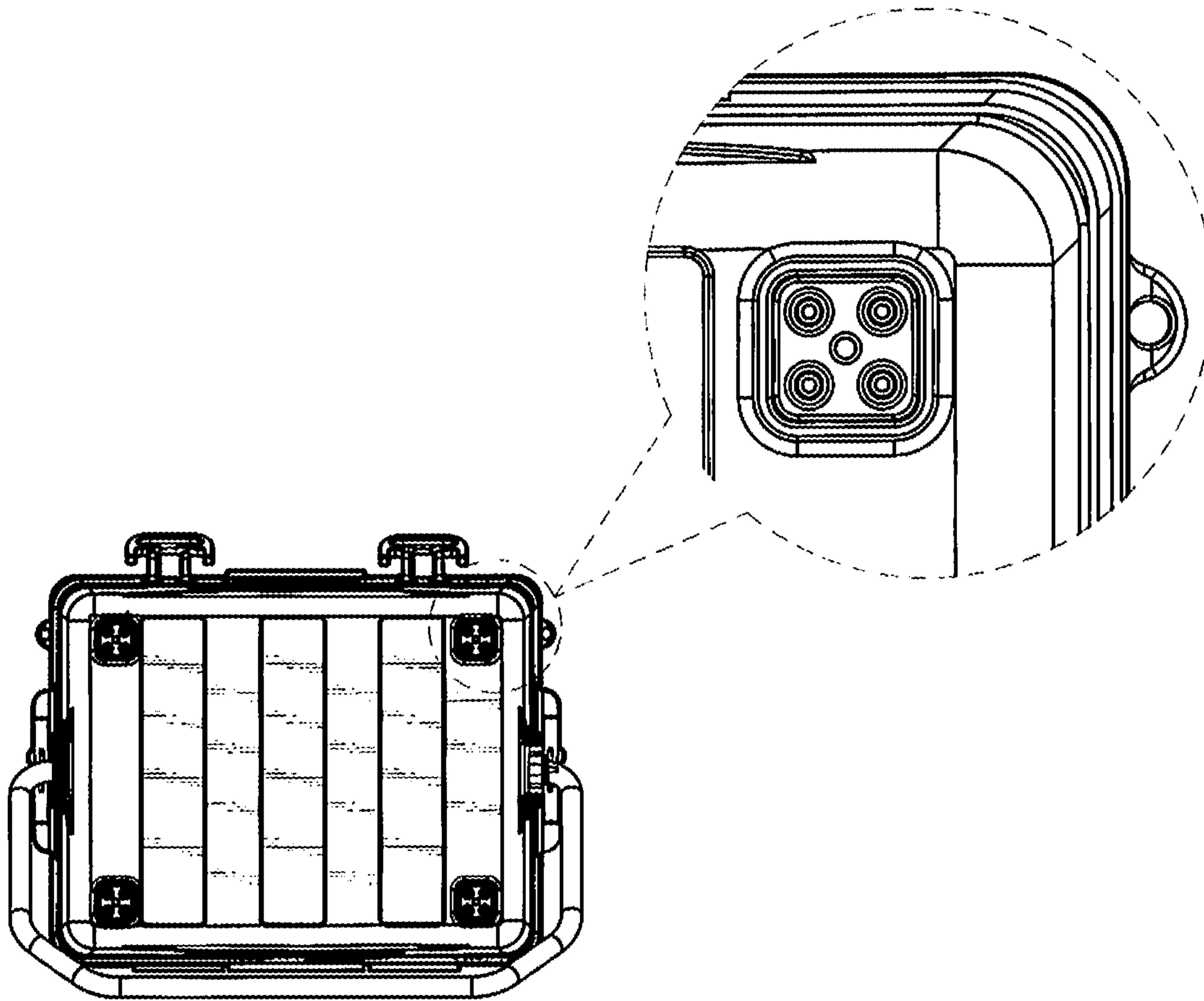


FIG. 12

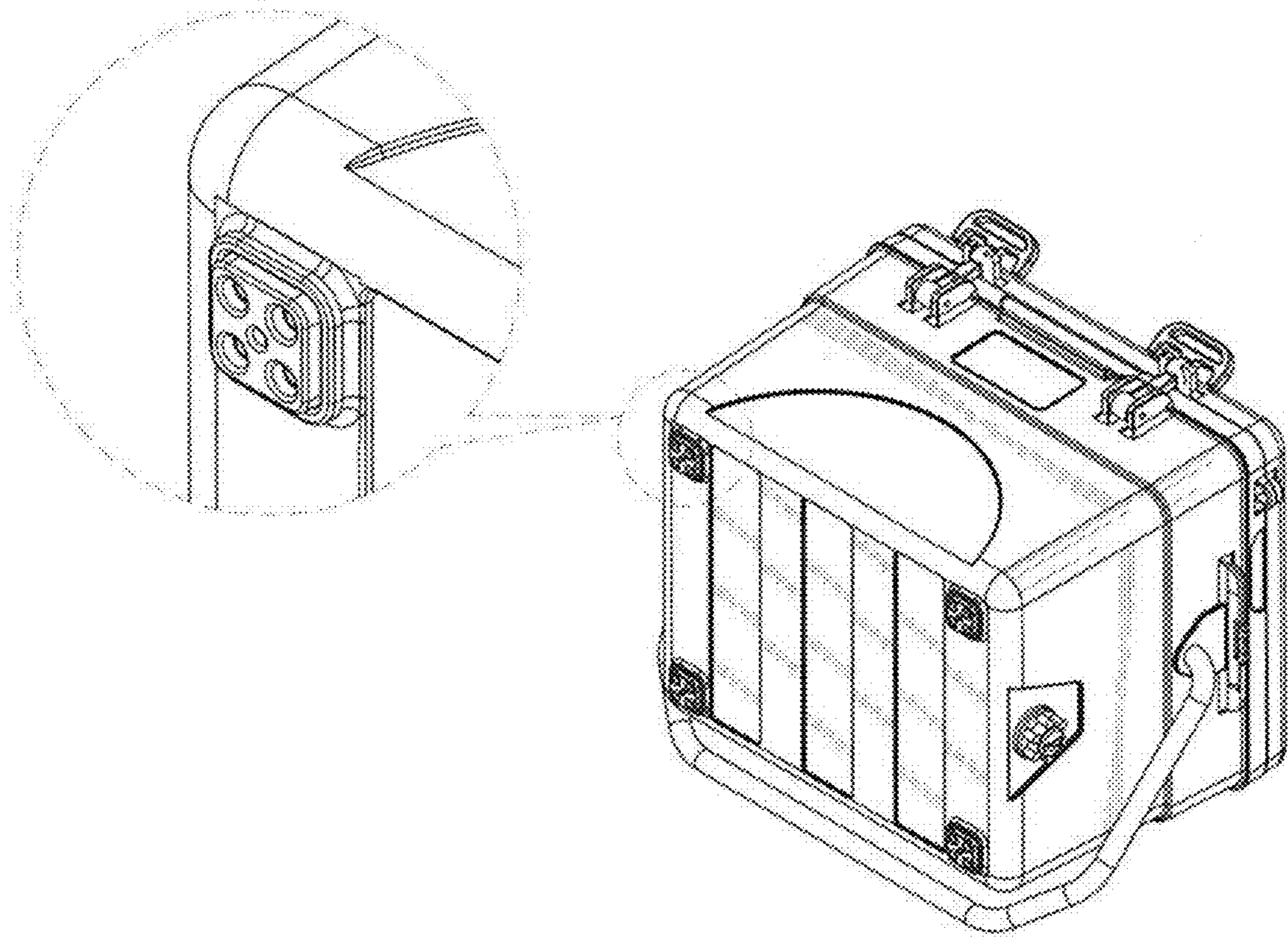


FIG. 13