



US00D955818S

(12) **United States Design Patent** (10) **Patent No.:** **US D955,818 S**  
**Ames** (45) **Date of Patent:** **\*\* Jun. 28, 2022**

(54) **TUMBLER**  
(71) Applicant: **Real Value LLC**, Norman, OK (US)  
(72) Inventor: **Micah Ames**, Oklahoma City, OK (US)  
(73) Assignee: **Real Value LLC**, Moore, OK (US)  
(\*\*) Term: **15 Years**  
(21) Appl. No.: **29/706,394**

D608,640 S \* 1/2010 Carreno ..... D9/449  
D620,357 S 7/2010 Jewett et al.  
D648,177 S 11/2011 Eyal  
D655,580 S \* 3/2012 Kotani ..... D7/608  
D672,238 S 12/2012 Aziz et al.  
(Continued)

**FOREIGN PATENT DOCUMENTS**

CA 164637 \* 5/2016  
CN 305399580 \* 10/2019  
(Continued)

**OTHER PUBLICATIONS**

Procizion, "Insulated Stainless Steel Vacuum Flask Travel Mug,"  
Mar. 24, 2015, Amazon.com, www.amazon.com/dp/B00V5BQIH2?  
th=1 (Year: 2015).\*

(Continued)

*Primary Examiner* — Joseph Kukella  
*Assistant Examiner* — Arva P Adams  
(74) *Attorney, Agent, or Firm* — Hall Estill Law Firm

(22) Filed: **Sep. 19, 2019**  
(51) **LOC (13) Cl.** ..... **07-01**  
(52) **U.S. Cl.**  
USPC ..... **D7/511**; D7/608; D9/549  
(58) **Field of Classification Search**  
USPC ..... D7/300, 300.1, 354, 391, 392, 392.1,  
D7/396.2, 396.3, 409, 507, 509-511,  
D7/513-516, 523, 608, 619.1, 619.2, 900;  
D9/447, 517, 519, 520, 529, 549;  
D24/197, 224  
CPC .... A47G 19/12; A47G 19/22; A47G 19/2205;  
A47G 19/2261; A47G 19/2222; A47G  
19/2227; A47G 19/2266; A47G 19/2272;  
A47G 19/2288; A47G 23/0241; A47J  
41/00; A47J 41/0055; A47J 41/0072;  
A47J 41/02; A47J 41/028; B65D 51/245;  
B65D 51/265; B65D 51/28; B65D  
77/0493; C02F 1/002  
See application file for complete search history.

(57) **CLAIM**

The ornamental design for a tumbler, as shown and described.

**DESCRIPTION**

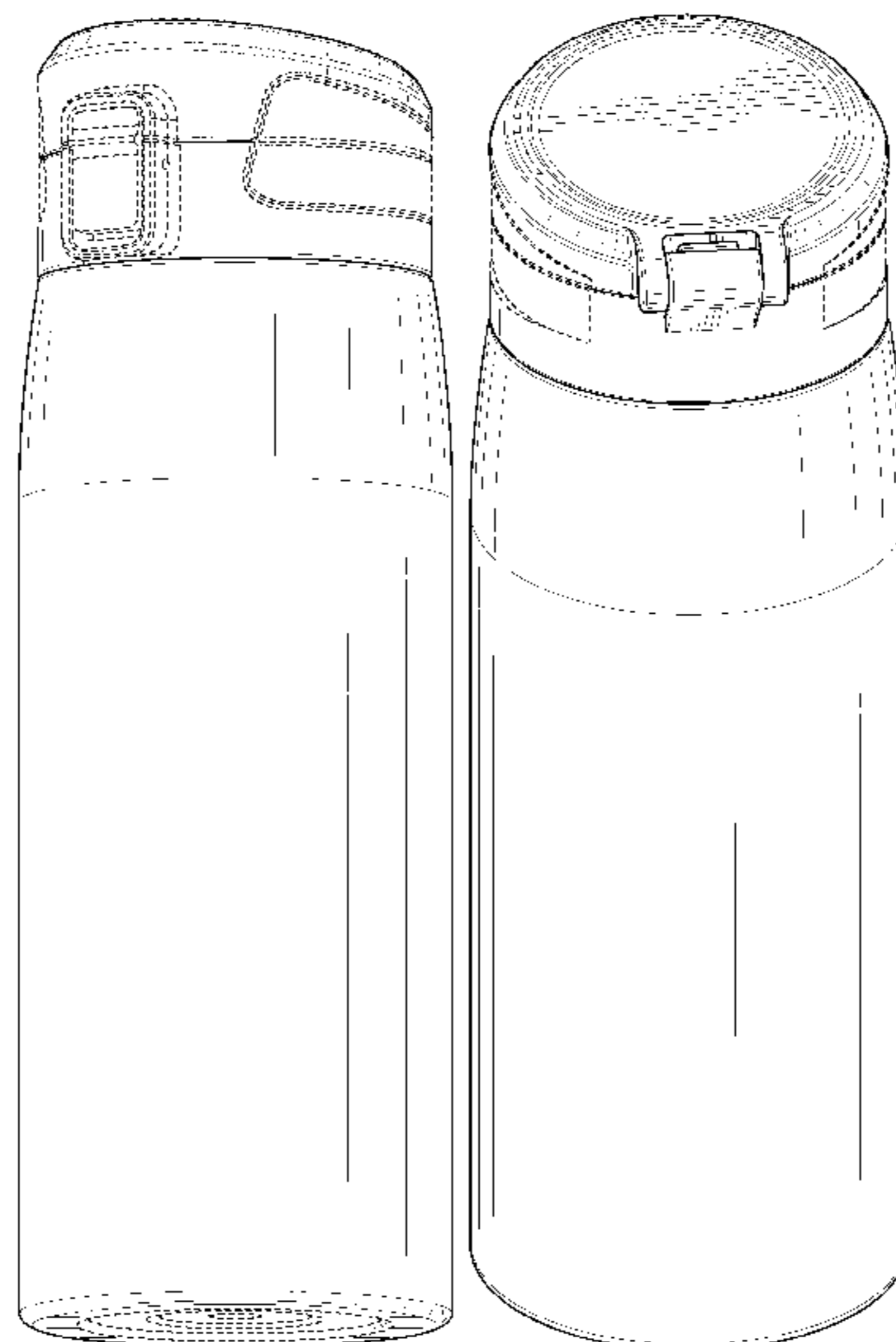
FIG. 1 is a partial front and partial side perspective view, showing my new design for a tumbler.  
FIG. 2 is a partial top and back, perspective view of FIG. 1.  
FIG. 3 is a front view of FIG. 1.  
FIG. 4 is a back view of FIG. 1.  
FIG. 5 is a right side view of FIG. 1.  
FIG. 6 is a left side view of FIG. 1.  
FIG. 7 is a top view of FIG. 1; and,  
FIG. 8 is a bottom view of FIG. 1.  
The broken lines show portions of the tumbler that form no part of the claimed design.

(56) **References Cited**

**U.S. PATENT DOCUMENTS**

D451,023 S \* 11/2001 Kitamura ..... A47G 19/2272  
D9/449  
D455,611 S \* 4/2002 Kitamura ..... A47G 19/2288  
D7/608  
D485,132 S \* 1/2004 Ohno ..... D7/608  
D592,012 S \* 5/2009 Carreno ..... D7/510  
D596,460 S \* 7/2009 Nezu ..... D7/510

**1 Claim, 7 Drawing Sheets**



(56)

References Cited

U.S. PATENT DOCUMENTS

D672,609 S 12/2012 Aziz et al.  
 D686,872 S \* 7/2013 Lane ..... D9/449  
 D690,557 S \* 10/2013 Carreno ..... D7/510  
 D695,069 S \* 12/2013 Lane ..... D7/510  
 D700,012 S 2/2014 Hurley et al.  
 D723,333 S 3/2015 Lin  
 D724,385 S 3/2015 Hurley et al.  
 D725,966 S \* 4/2015 Boroski ..... D7/511  
 D758,790 S \* 6/2016 Boroski ..... D7/392.1  
 D761,058 S \* 7/2016 Ou ..... D7/510  
 D763,622 S \* 8/2016 Shirley ..... D9/503  
 D778,117 S \* 2/2017 Du ..... G01F 22/00  
 D778,118 S \* 2/2017 Du ..... D7/608  
 D780,578 S \* 3/2017 Lane ..... D7/396.2  
 D787,935 S 5/2017 Kaiser  
 D790,920 S 7/2017 Goodwin et al.  
 D791,579 S 7/2017 Goodwin et al.  
 D794,453 S \* 8/2017 Boroski ..... D9/449  
 D795,011 S \* 8/2017 Pisarevsky ..... D7/510  
 D808,220 S 1/2018 Burns et al.  
 D809,920 S 2/2018 Maple  
 D810,504 S 2/2018 Goodwin et al.

D811,818 S 3/2018 Wu  
 D812,428 S 3/2018 Wu  
 D815,908 S 4/2018 Kauss et al.  
 D822,439 S 7/2018 Spivey et al.  
 D849,481 S \* 5/2019 Washburn ..... D7/510  
 D853,784 S \* 7/2019 Wu ..... D7/392.1  
 10,697,816 B2 \* 6/2020 Hsiao ..... G01F 22/00  
 D892,557 S \* 8/2020 Wang ..... D7/510  
 D892,558 S \* 8/2020 Wang ..... D7/529  
 2015/0282654 A1 \* 10/2015 Ku ..... A47G 19/2272  
 220/254.5  
 2017/0267423 A1 \* 9/2017 Maruyama ..... A47G 19/2288

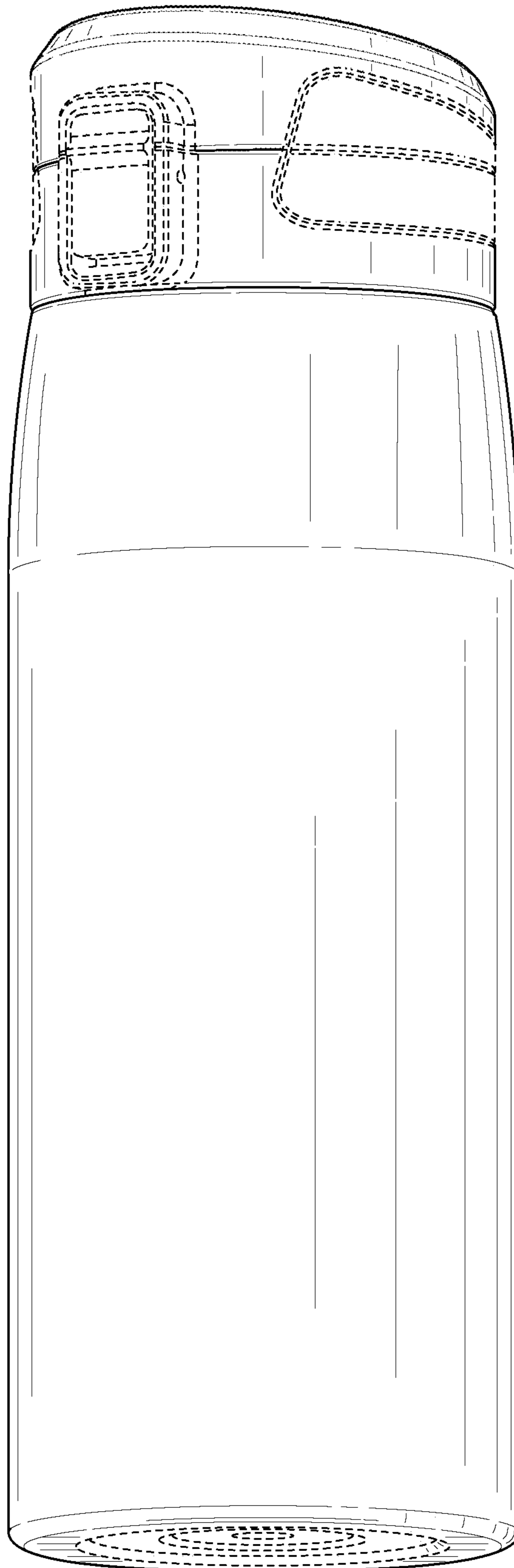
FOREIGN PATENT DOCUMENTS

JP D1429191 \* 12/2011  
 KR 300809290.0000 \* 8/2015

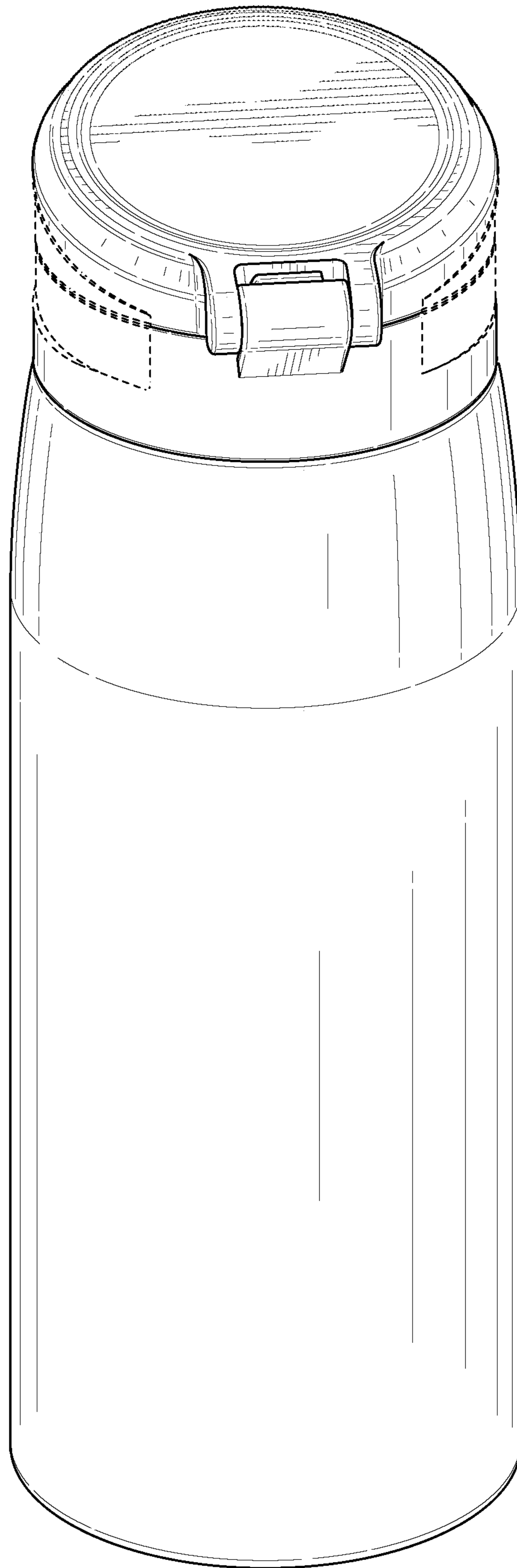
OTHER PUBLICATIONS

Amazon.com, "Simple Modern Kona Thermos Insulated Travel Mug with Flip Lid," Jun. 12, 2019, Amazon.com, [www.amazon.com/Simple-Modern-Kona-Travel-Tumbler/dp/B07T26F21M?th=1](http://www.amazon.com/Simple-Modern-Kona-Travel-Tumbler/dp/B07T26F21M?th=1) (Year: 2019).\*

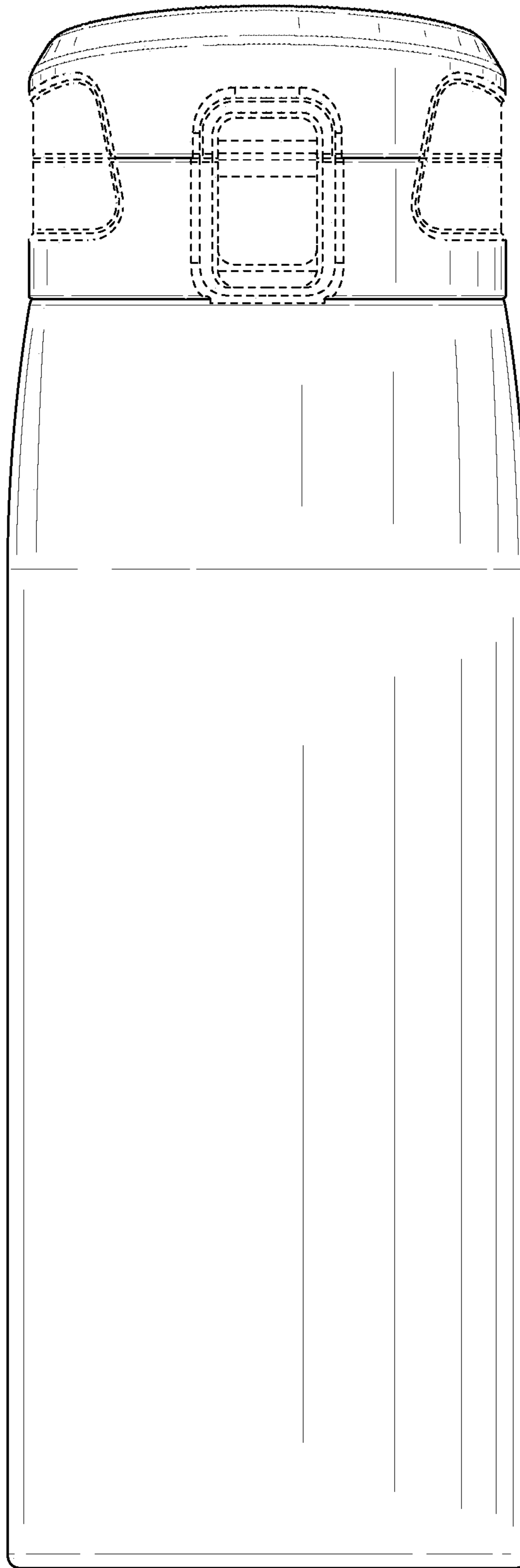
\* cited by examiner



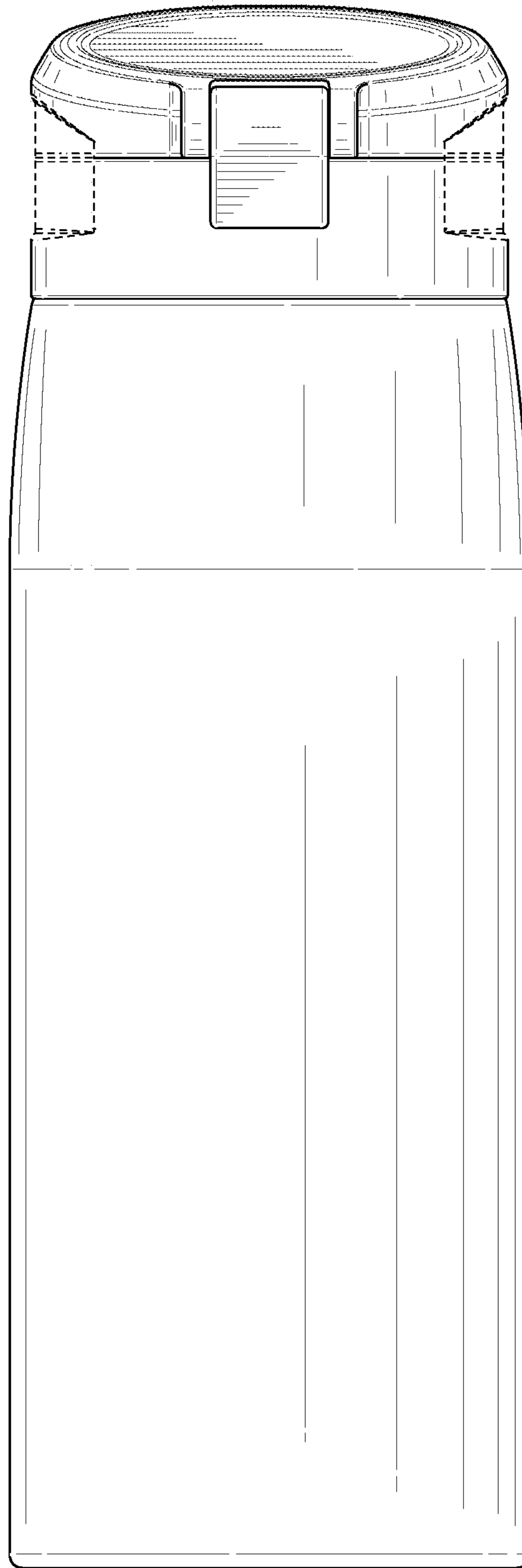
**FIG. 1**



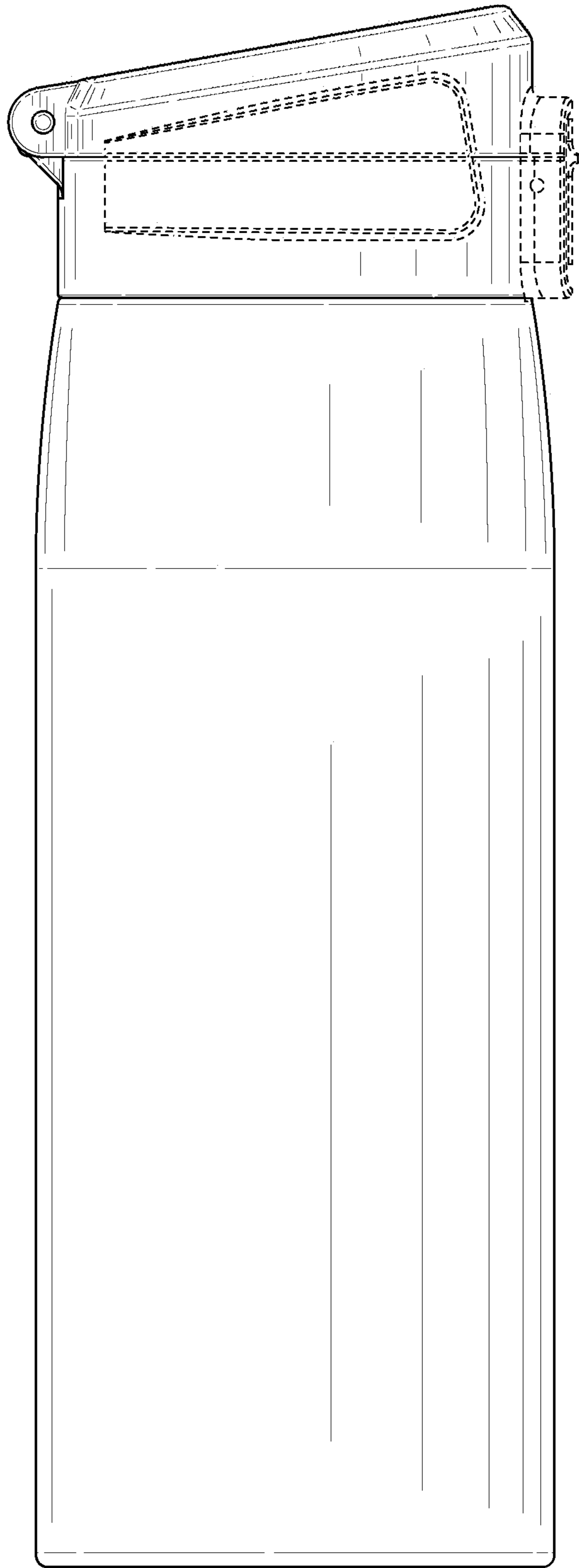
**FIG. 2**



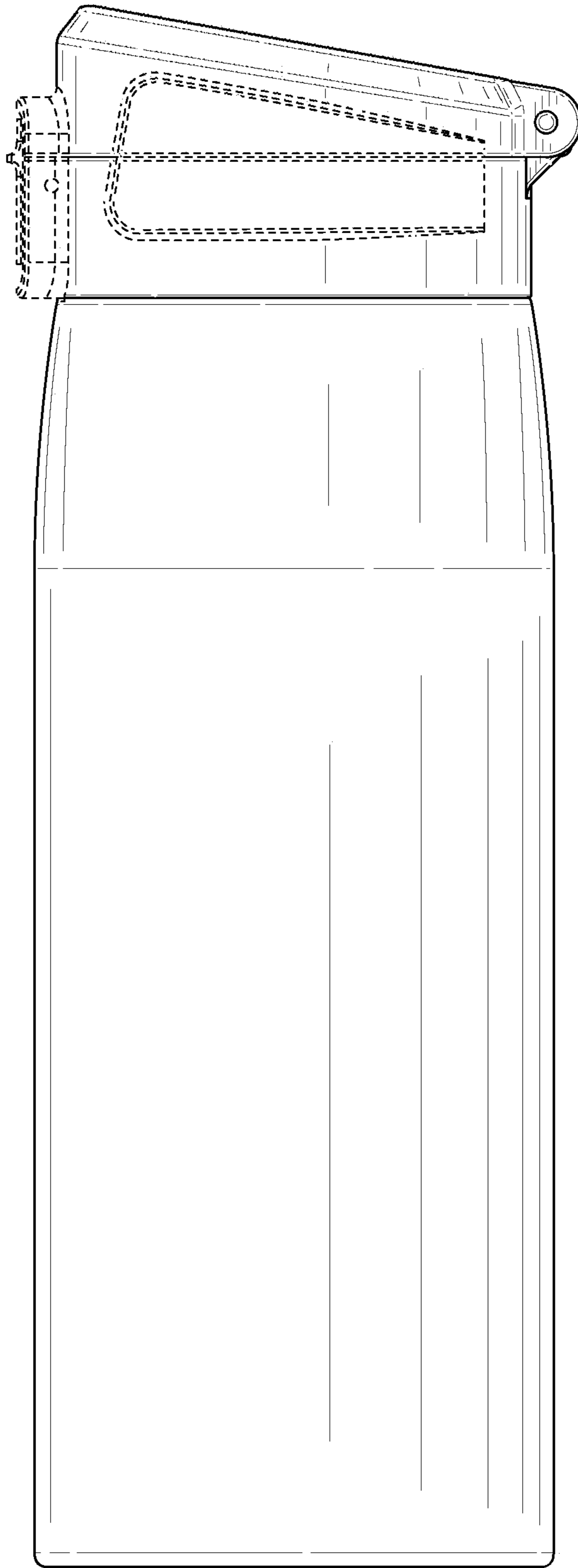
**FIG. 3**



**FIG. 4**

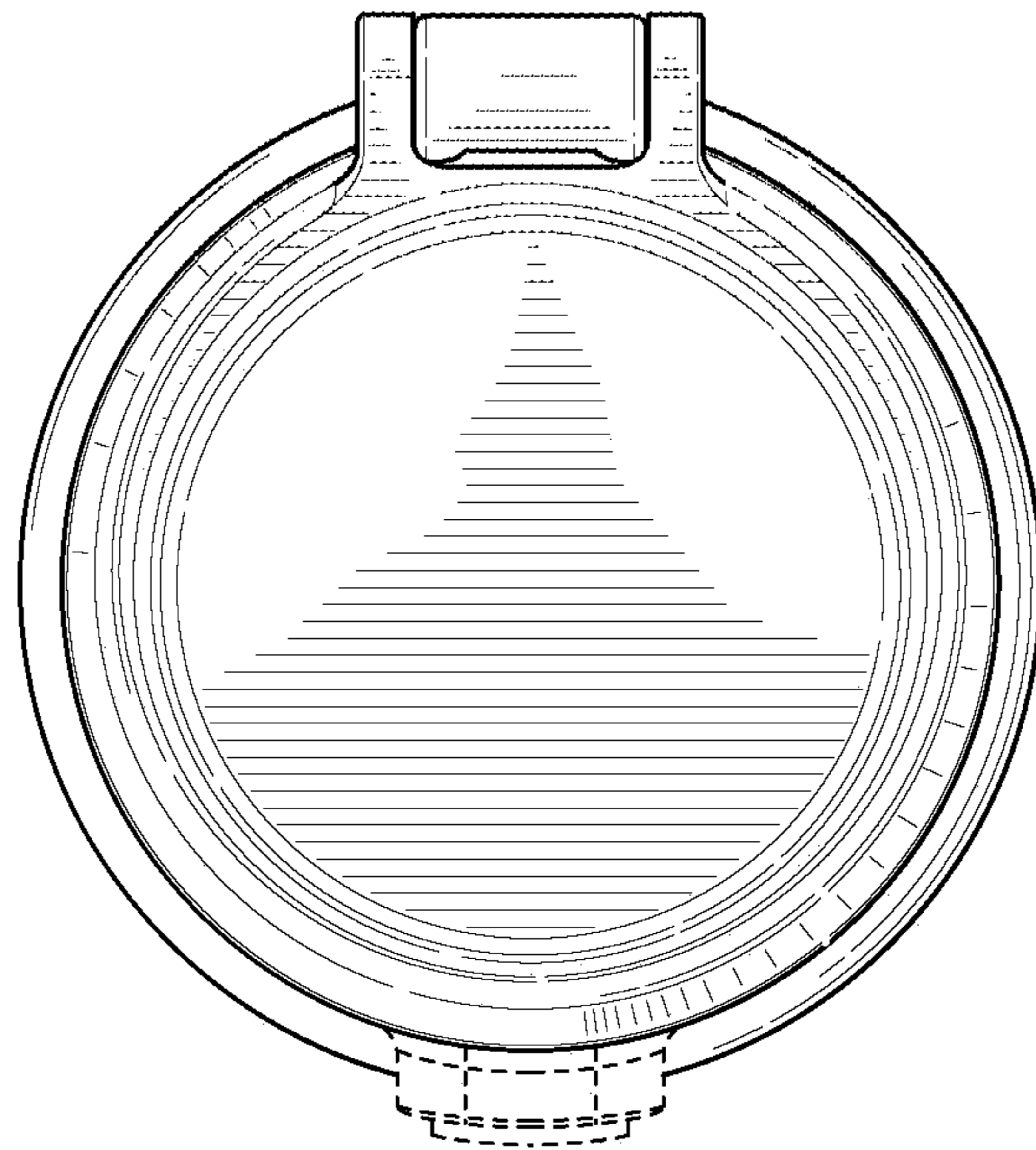


**FIG. 5**

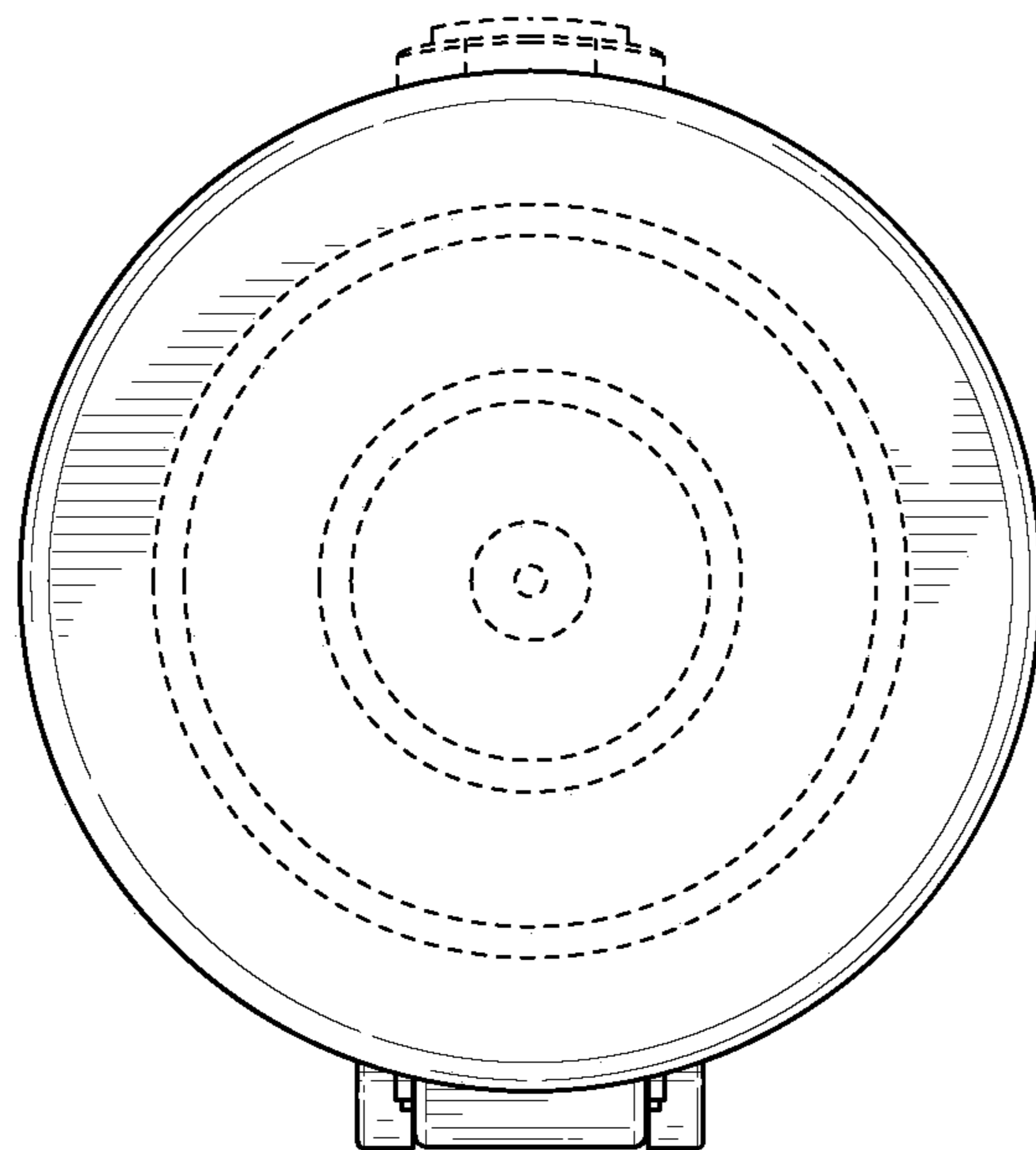


**FIG. 6**





**FIG. 7**



**FIG. 8**