



US00D955817S

(12) **United States Design Patent**  
**Hao**

(10) **Patent No.:** **US D955,817 S**  
(45) **Date of Patent:** **\*\* Jun. 28, 2022**

- (54) **WATER BOTTLE**
- (71) Applicant: **Junjie Hao**, Guangdong (CN)
- (72) Inventor: **Junjie Hao**, Guangdong (CN)
- (73) Assignee: **Shenzhen Mlife Household Products Co., Ltd.**, Guangdong (CN)
- (\*\*) Term: **15 Years**
- (21) Appl. No.: **29/695,676**
- (22) Filed: **Jun. 20, 2019**
- (51) **LOC (13) Cl.** ..... **07-01**
- (52) **U.S. Cl.**  
USPC ..... **D7/510; D7/536**
- (58) **Field of Classification Search**  
USPC ..... D7/507, 509, 510, 511, 387, 392.1,  
D7/396.2, 368, 690, 376, 300.1, 300.2,  
D7/312, 213; D9/435, 436, 530, 537,  
D9/543, 503, 504  
CPC ..... A47J 43/27; A47G 19/22; A47G 19/16;  
A47G 19/2205; A47G 19/2288; B65D  
1/265  
See application file for complete search history.

D887,212 S \* 6/2020 Wang ..... D7/511  
D889,910 S \* 7/2020 Wang ..... D7/511  
D893,262 S \* 8/2020 Wang ..... D7/511

**OTHER PUBLICATIONS**

[https://www.amazon.com/AOMAIS-Motivational-Leak-Proof-Bottles-Fitness/dp/B07T39Z42R/ref=psdc\\_3395091\\_t3\\_B08MDTX76Q](https://www.amazon.com/AOMAIS-Motivational-Leak-Proof-Bottles-Fitness/dp/B07T39Z42R/ref=psdc_3395091_t3_B08MDTX76Q) (Year: 2019).\*

[https://www.amazon.com/Covacure-Gallon-Water-Bottle-Marker/dp/B07V7VM4FZ/ref=sr\\_1\\_30?dchild=1&keywords=AOMAIS%2BGallon%2Bwater%2Bbottle&qid=1632092283&s=home-garden&sr=1-30&th=1](https://www.amazon.com/Covacure-Gallon-Water-Bottle-Marker/dp/B07V7VM4FZ/ref=sr_1_30?dchild=1&keywords=AOMAIS%2BGallon%2Bwater%2Bbottle&qid=1632092283&s=home-garden&sr=1-30&th=1) (Year: 2019).\*

\* cited by examiner

*Primary Examiner* — Jae Liang

(57) **CLAIM**

The ornamental design for a water bottle, as shown and described.

**DESCRIPTION**

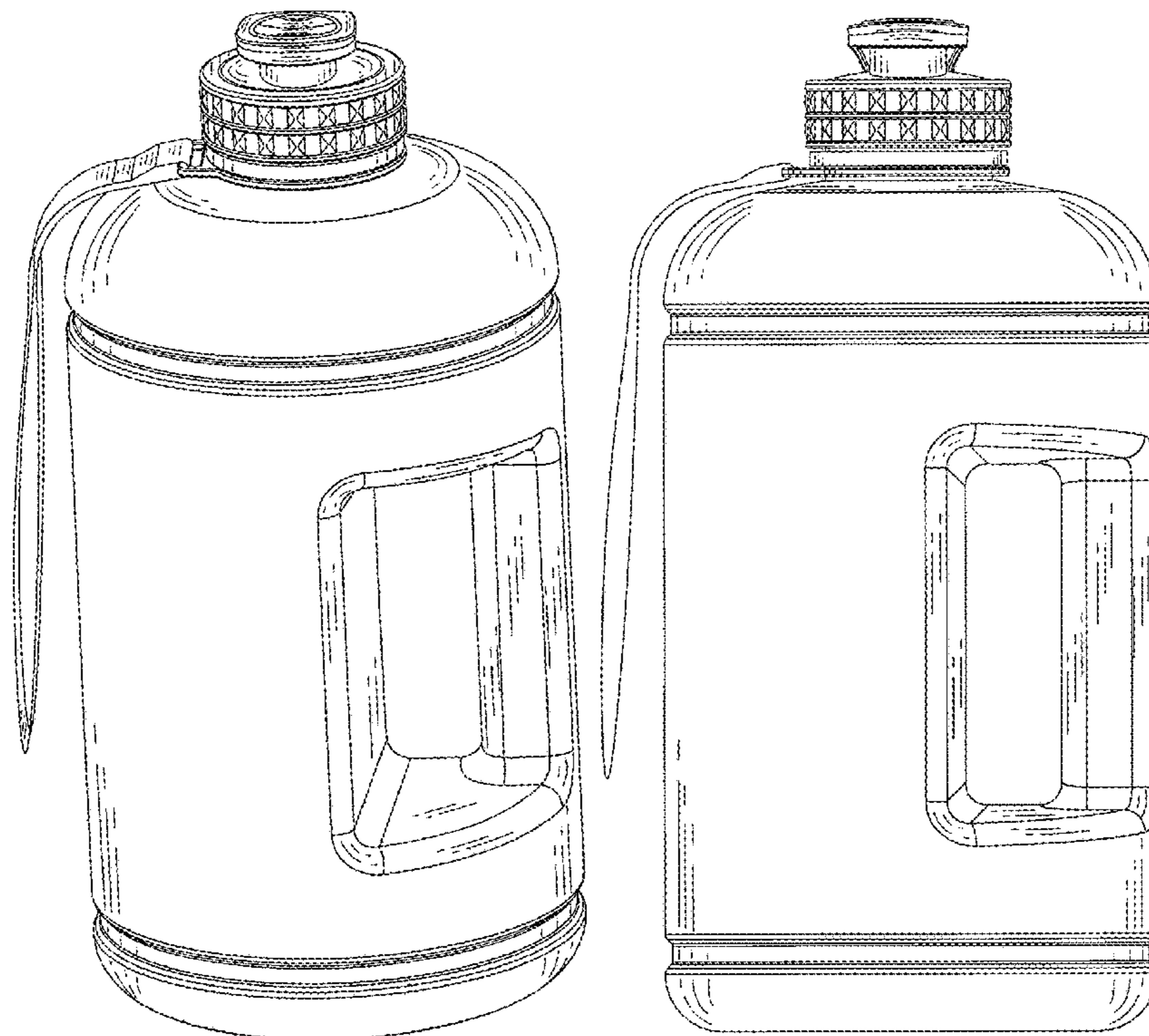
FIG. 1 is a perspective view of a water bottle showing my new design;  
FIG. 2 is a front elevation view thereof;  
FIG. 3 is a rear elevation view thereof;  
FIG. 4 is a left side elevation view thereof;  
FIG. 5 is a right side elevation view thereof;  
FIG. 6 is a top plan view thereof; and,  
FIG. 7 is a bottom plan view thereof.  
The broken lines in the Figures depict environment only and form no part of the claimed design.

**1 Claim, 7 Drawing Sheets**

(56) **References Cited**

**U.S. PATENT DOCUMENTS**

D793,164 S \* 8/2017 Charlton ..... D7/510  
D805,350 S \* 12/2017 Cetera ..... D7/510  
D871,845 S \* 1/2020 Huang ..... D7/510  
D872,534 S \* 1/2020 Peng ..... D7/510  
D881,647 S \* 4/2020 Wang ..... D7/510



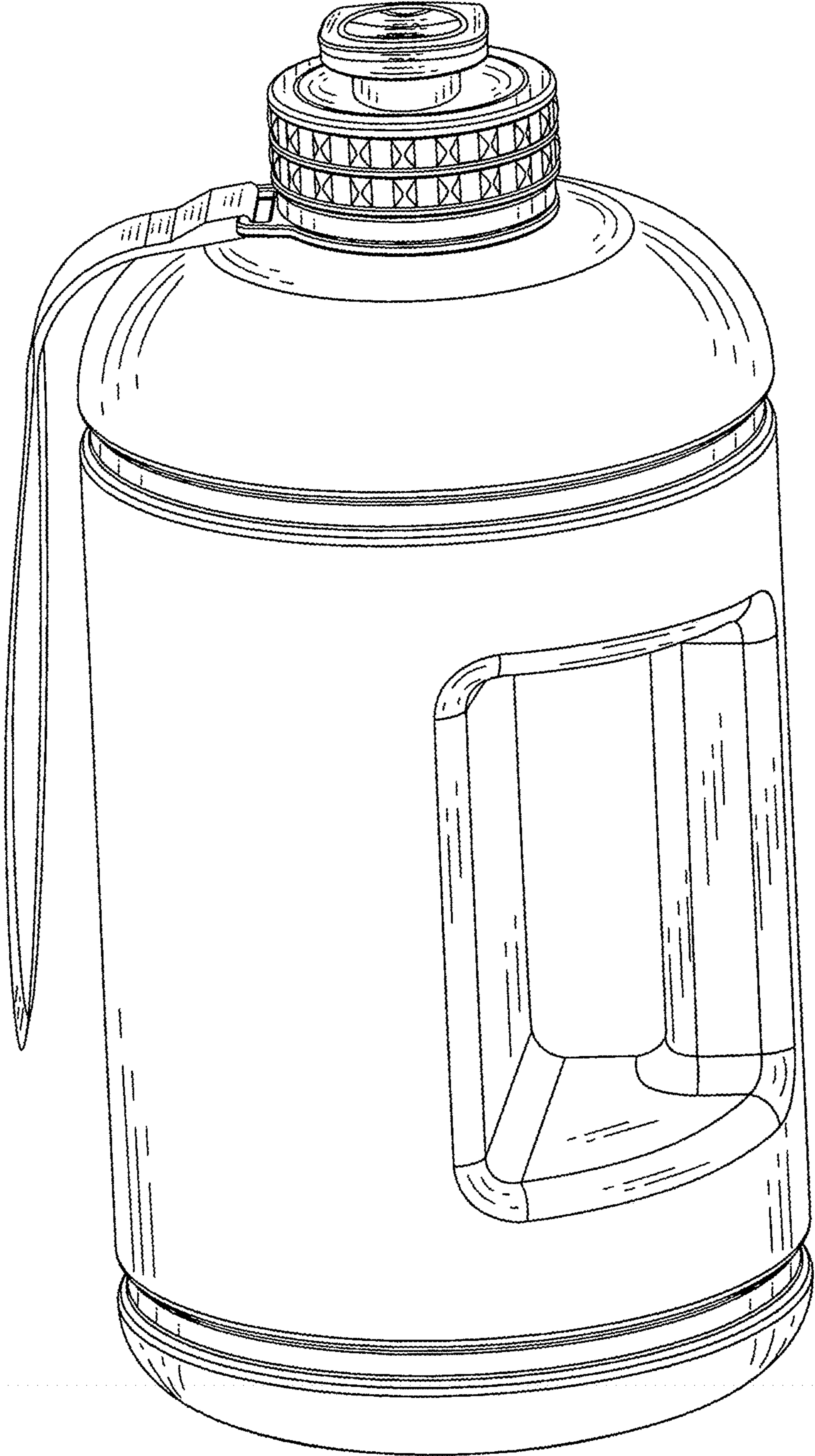


FIG.1

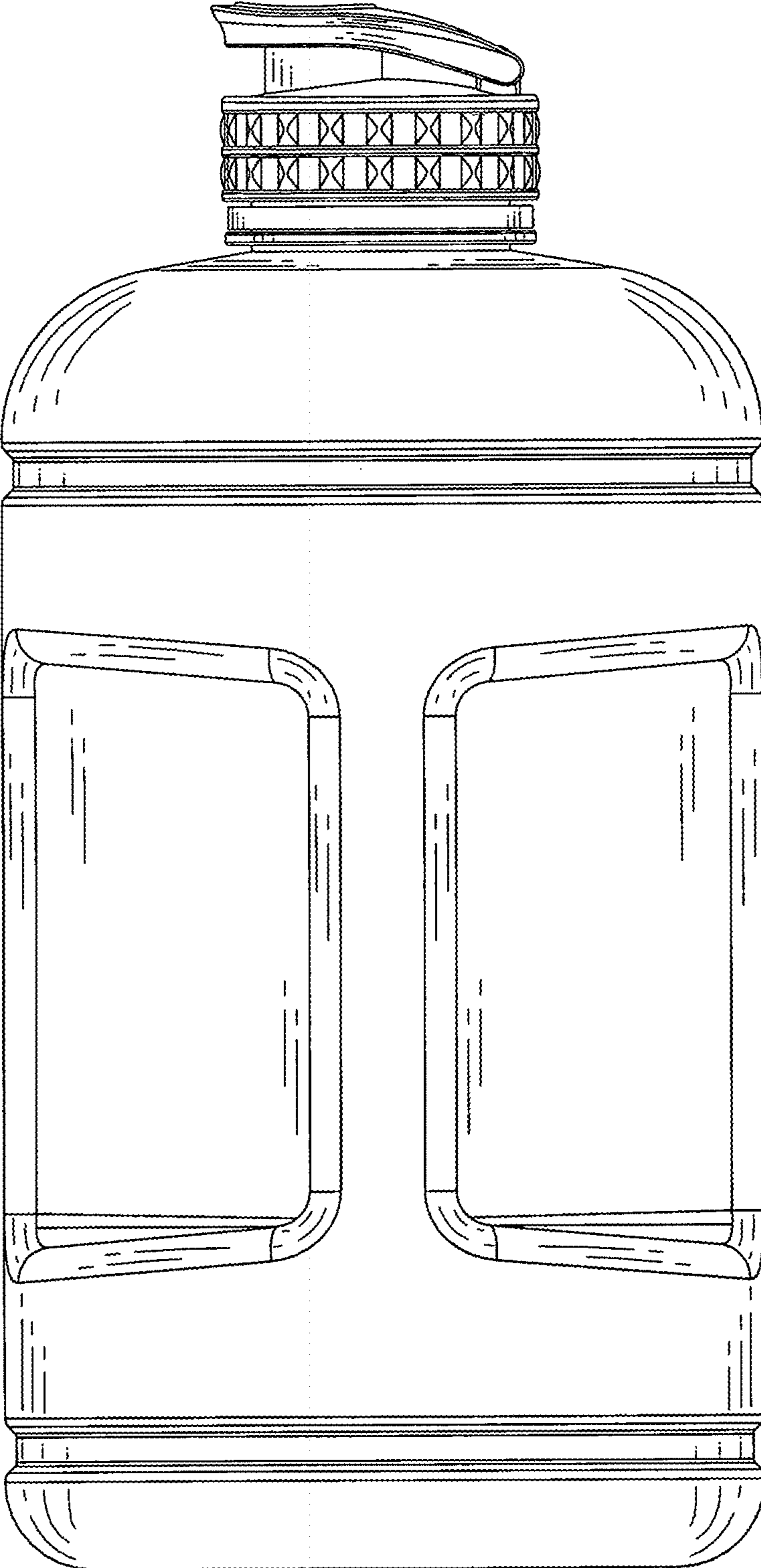


FIG.2

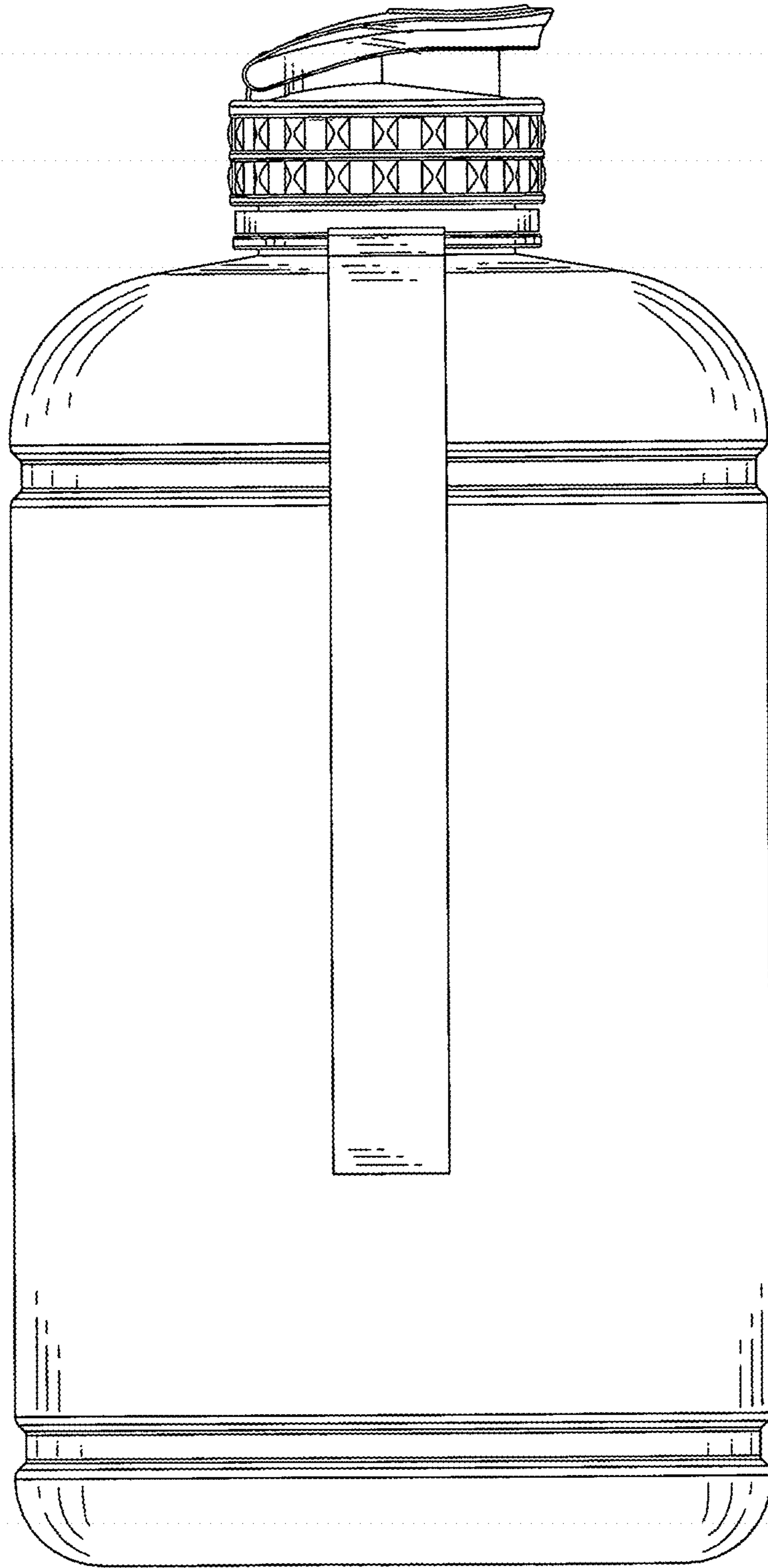


FIG.3

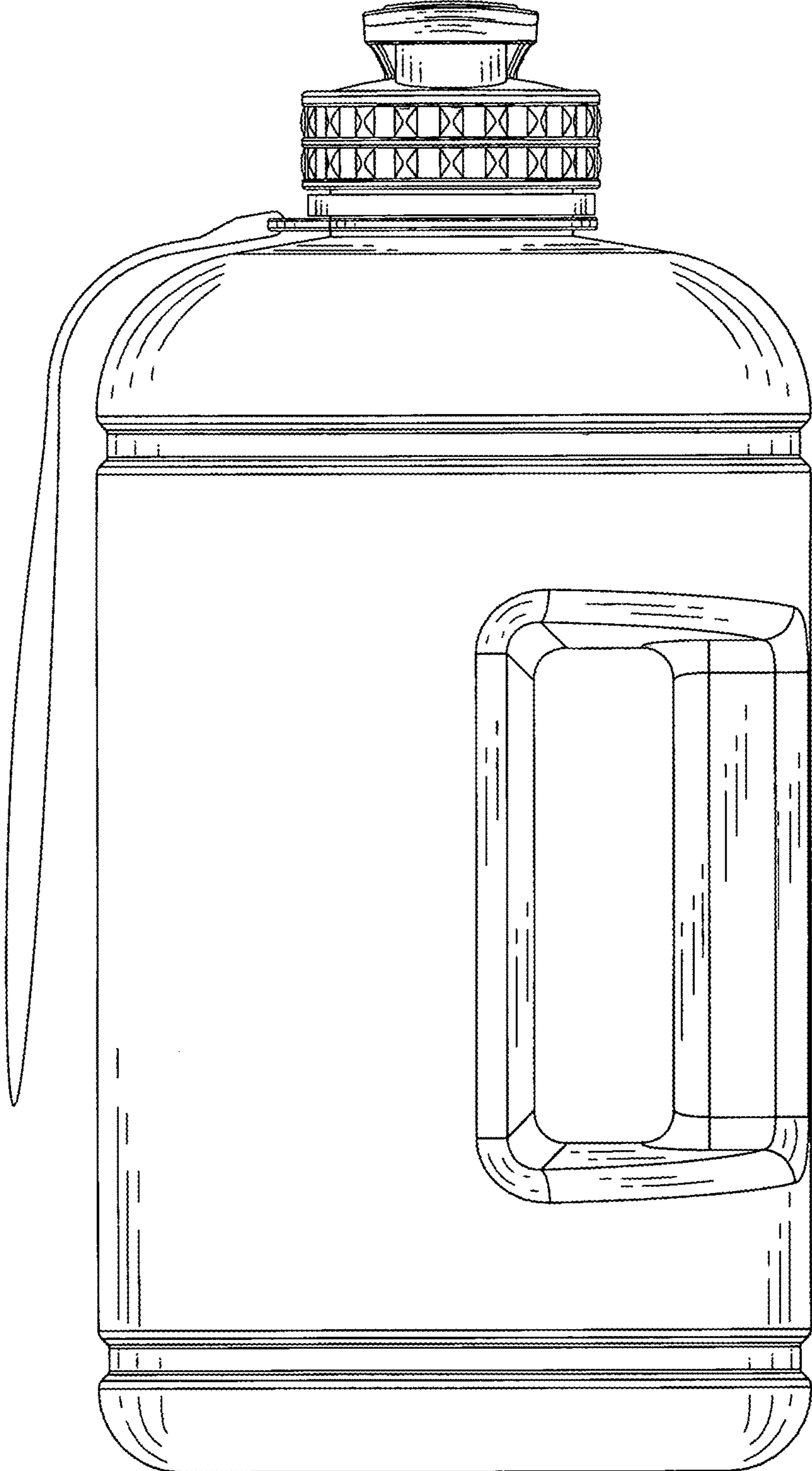


FIG. 4

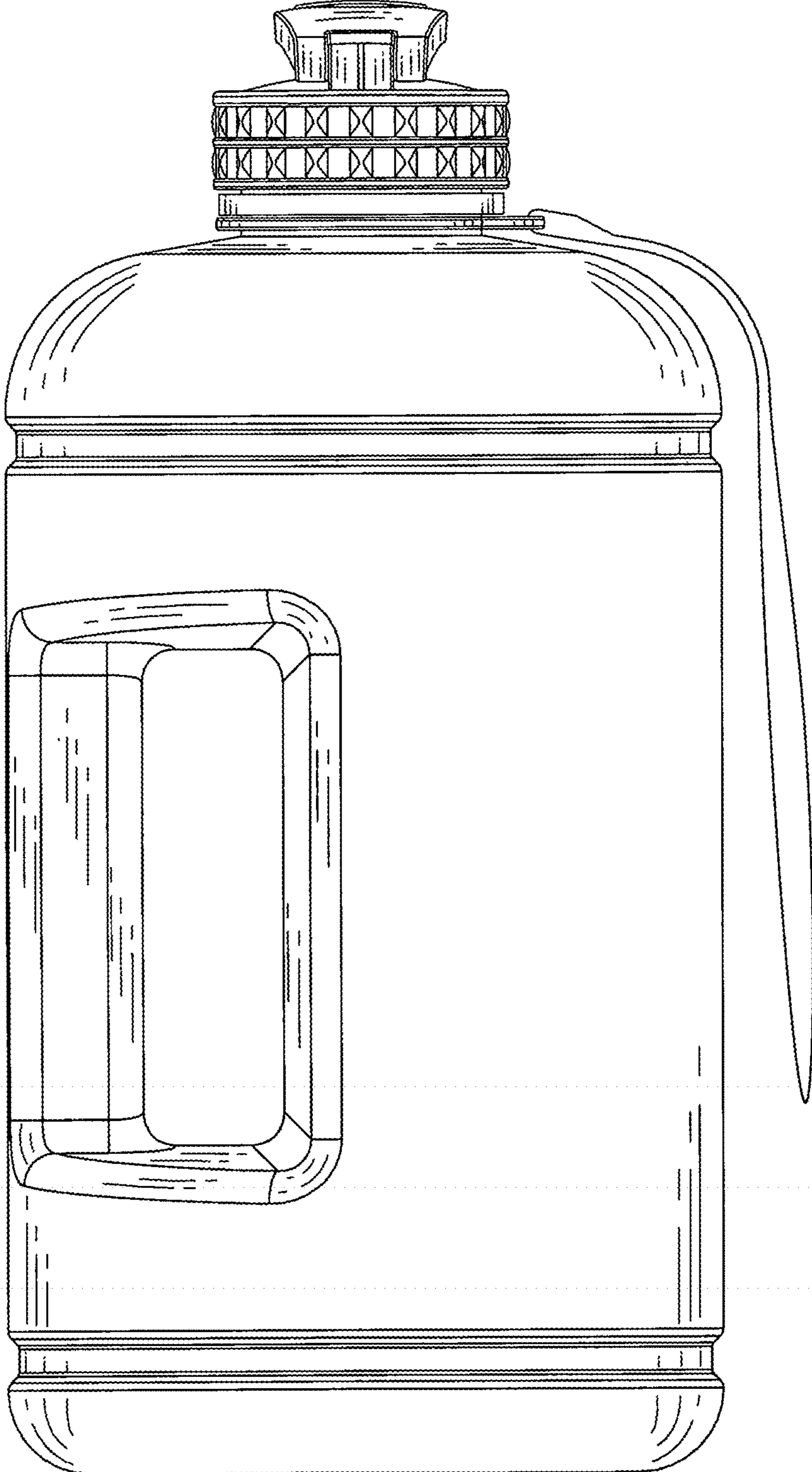


FIG. 5

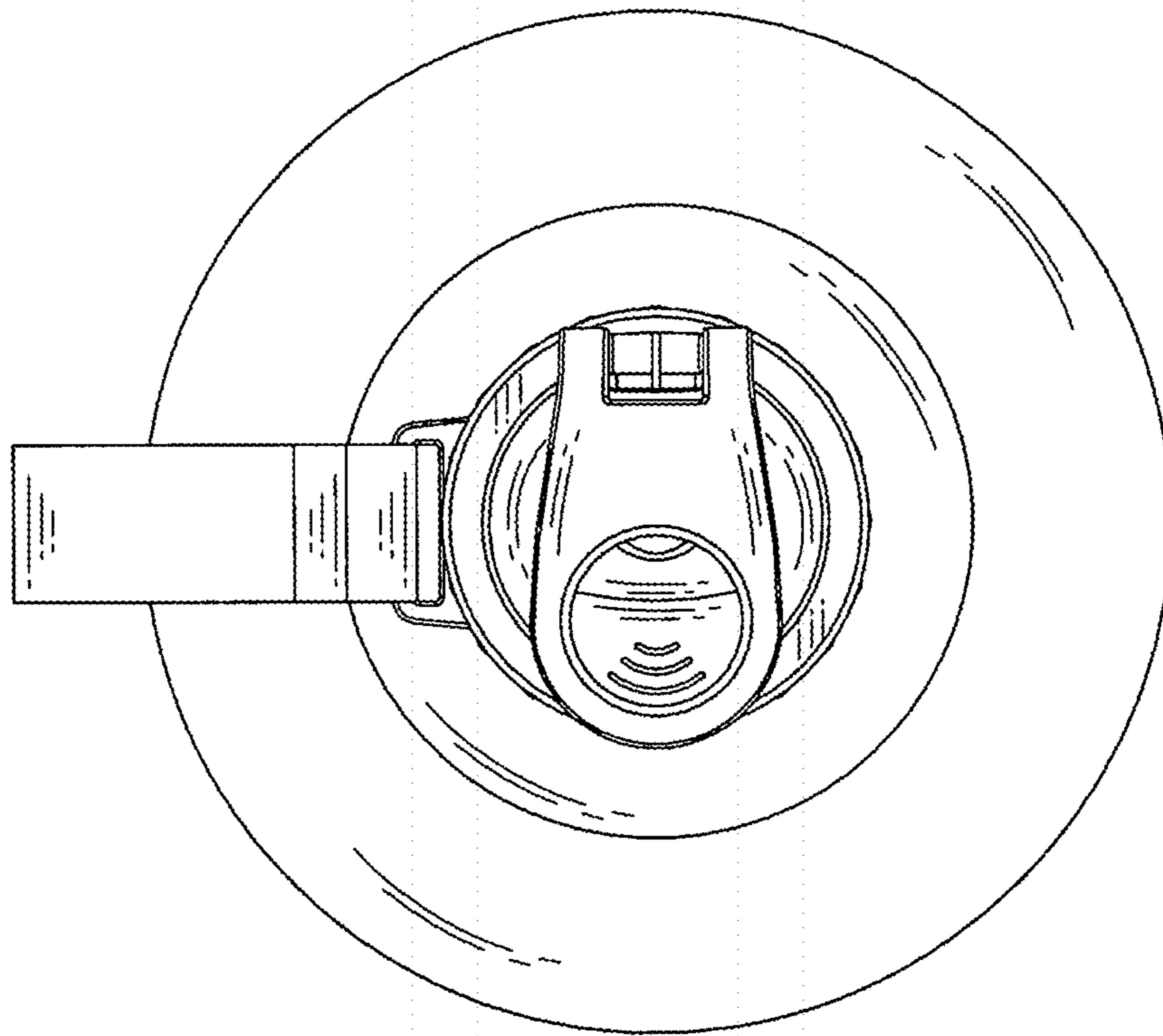


FIG. 6

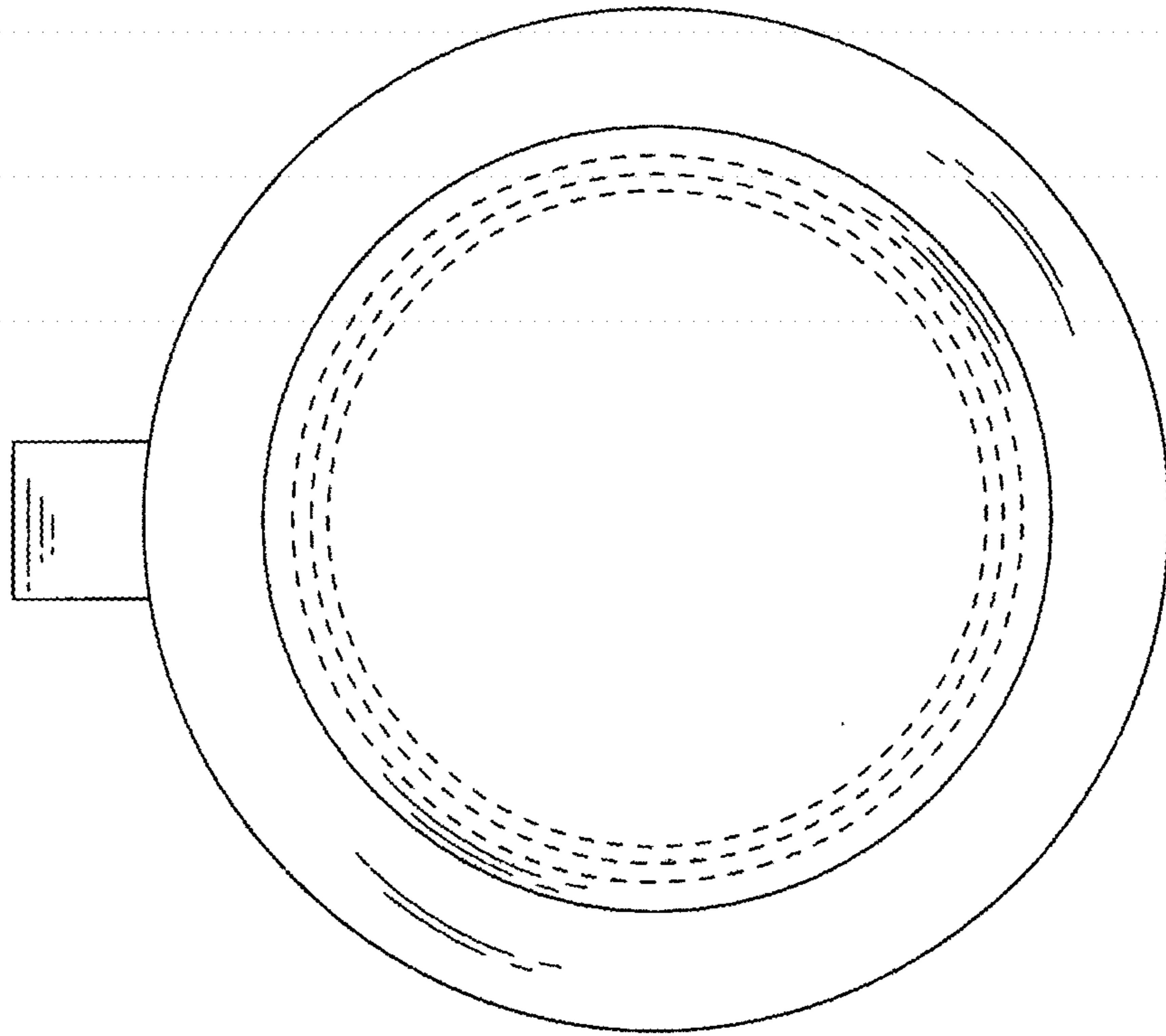


FIG. 7