



US00D955816S

(12) **United States Design Patent** (10) **Patent No.:** **US D955,816 S**  
**Nurse** (45) **Date of Patent:** **\*\* Jun. 28, 2022**

(54) **UMBRELLA TABLE LAZY SUSAN**  
(71) Applicant: **Ayoluwa Nurse**, South Orange, NJ (US)  
(72) Inventor: **Ayoluwa Nurse**, South Orange, NJ (US)  
(\*\*) Term: **15 Years**  
(21) Appl. No.: **29/745,637**  
(22) Filed: **Aug. 7, 2020**  
(51) **LOC (13) Cl.** ..... **07-01**  
(52) **U.S. Cl.**  
USPC ..... **D7/501**  
(58) **Field of Classification Search**  
USPC ..... D7/501, 500, 553.6, 554.1, 590, 600.2;  
211/74, 133.4, 131.1; D6/691, 349, 685,  
D6/406.6; 40/377  
CPC ..... A47J 47/16; A47B 49/004  
See application file for complete search history.

5,857,741 A \* 1/1999 Anderson ..... A47B 83/02  
224/521  
6,082,269 A \* 7/2000 Padberg ..... A47B 37/04  
108/44  
D517,353 S \* 3/2006 Carter ..... D6/692.5  
D572,733 S \* 7/2008 Ota ..... D15/138  
D593,585 S \* 6/2009 Ota ..... D15/138  
D595,088 S \* 6/2009 Watts ..... D7/501  
D737,098 S \* 8/2015 Smith ..... D7/501  
9,215,950 B2 \* 12/2015 Walker ..... F24C 3/14  
D761,621 S \* 7/2016 Hsu ..... D7/501  
D769,708 S \* 10/2016 Smith ..... D8/399  
D787,368 S \* 5/2017 Meyers ..... D11/164  
D797,647 S \* 9/2017 Spafford ..... D12/400  
D806,474 S \* 1/2018 Greenwood ..... D7/501  
D846,481 S \* 4/2019 Turner ..... D12/400  
D889,175 S \* 7/2020 Clayton ..... D6/705.1  
D894,686 S \* 9/2020 Nagawkar ..... D7/540

(Continued)

*Primary Examiner* — Cynthia R Underwood  
(74) *Attorney, Agent, or Firm* — Michael J. Feigin, Esq.;  
Feigin and Fridman LLC

(57) **CLAIM**

The ornamental design for an umbrella table lazy Susan, as shown and described.

**DESCRIPTION**

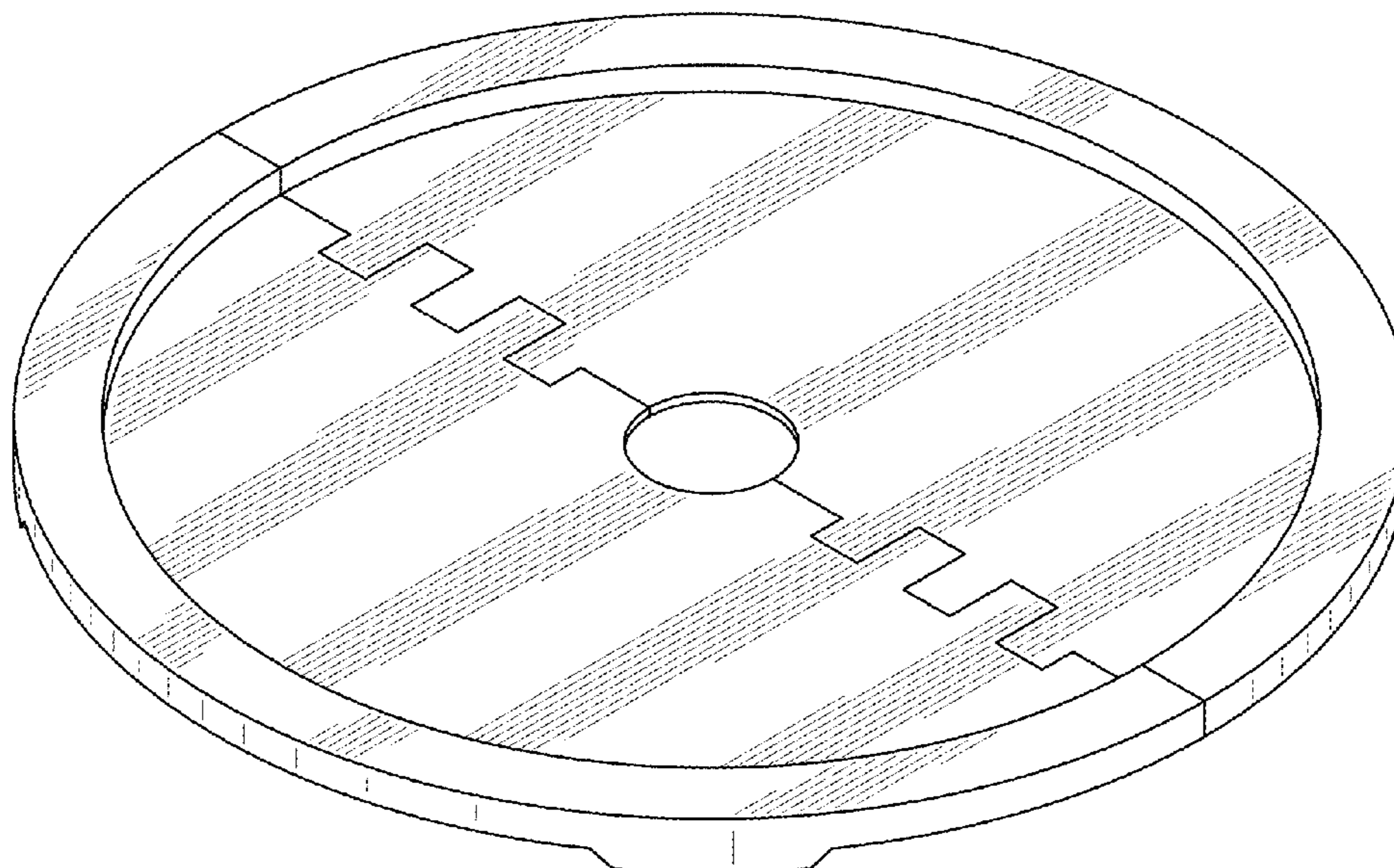
FIG. 1 shows a top and side perspective view of a umbrella table lazy Susan, shown in an open state;  
FIG. 2 shows a bottom and reverse side view thereof.  
FIG. 3 shows a top plan view thereof.  
FIG. 4 shows a bottom plan view thereof.  
FIG. 5 shows a side elevation view thereof, the opposite side being a mirror image thereof.  
FIG. 6 shows a front elevation view thereof, the opposite side being a mirror image thereof.  
FIG. 7 shows a perspective view in a dosed state; and,  
FIG. 8 shows a perspective view thereof in an environment where the device can be used.

**1 Claim, 7 Drawing Sheets**

(56) **References Cited**

U.S. PATENT DOCUMENTS

2,620,089 A \* 12/1952 Van Loghem ..... A47G 23/03  
220/605  
D238,039 S \* 12/1975 Juhlin ..... D7/584  
3,951,079 A \* 4/1976 Tolleson ..... A47F 5/02  
108/94  
D270,799 S \* 10/1983 Creske ..... D7/553.6  
D286,130 S \* 10/1986 Bowen ..... D7/402  
D297,897 S \* 10/1988 Stackhouse ..... D6/677  
D301,956 S \* 7/1989 Newton ..... D7/501  
D312,554 S \* 12/1990 Daenen ..... D7/501  
D322,011 S \* 12/1991 Asner ..... D7/554.2  
D365,498 S \* 12/1995 Lillelund ..... D7/505  
5,533,857 A \* 7/1996 Ferrone ..... A47B 11/00  
414/757  
D373,865 S \* 9/1996 Wells ..... D32/54  
D386,792 S \* 11/1997 Miller ..... D20/21



(56)

**References Cited**

U.S. PATENT DOCUMENTS

D938,206 S \* 12/2021 Massey ..... D6/688.1  
D939,276 S \* 12/2021 Greenwood ..... D7/501

\* cited by examiner

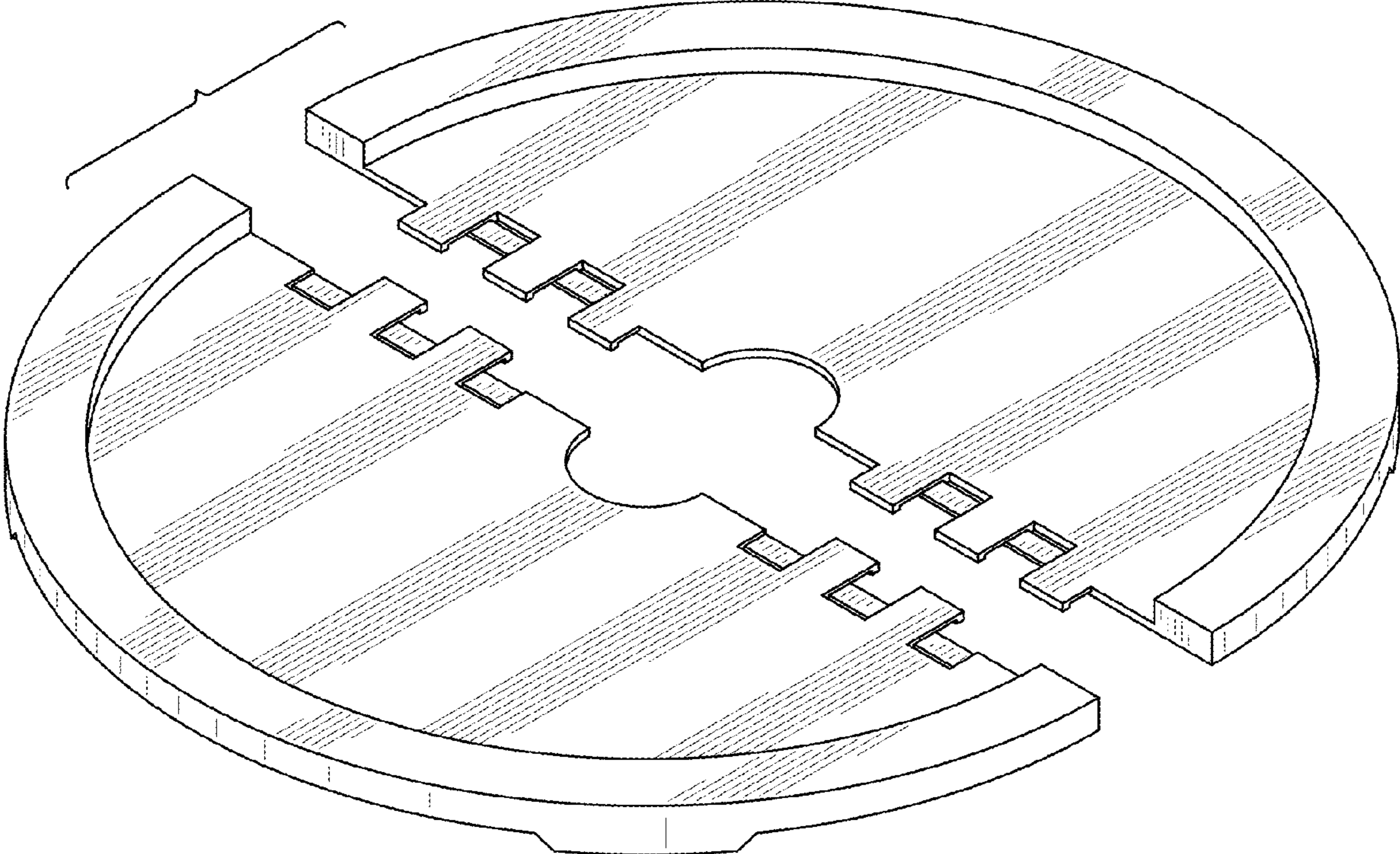


FIG. 1

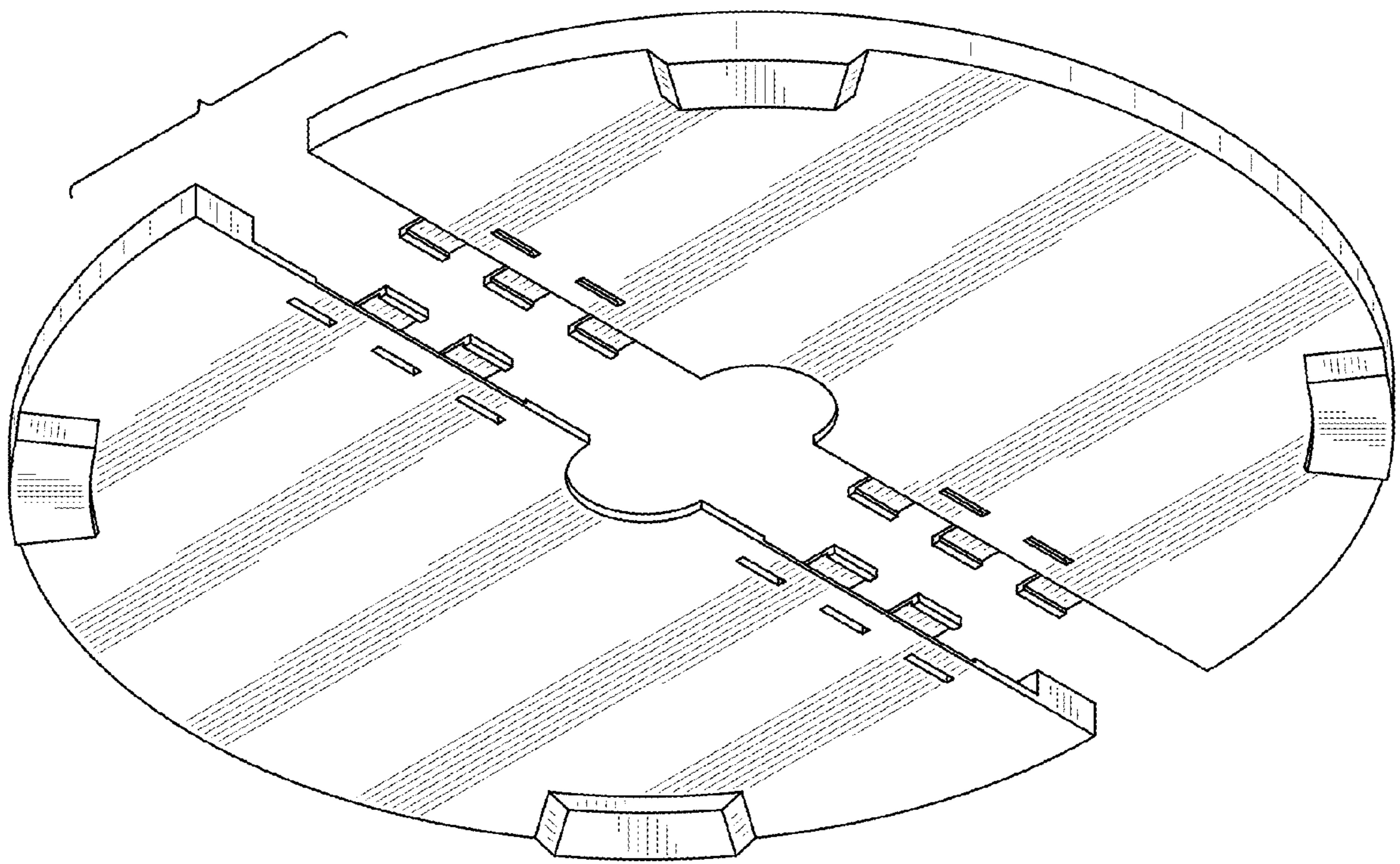


FIG. 2

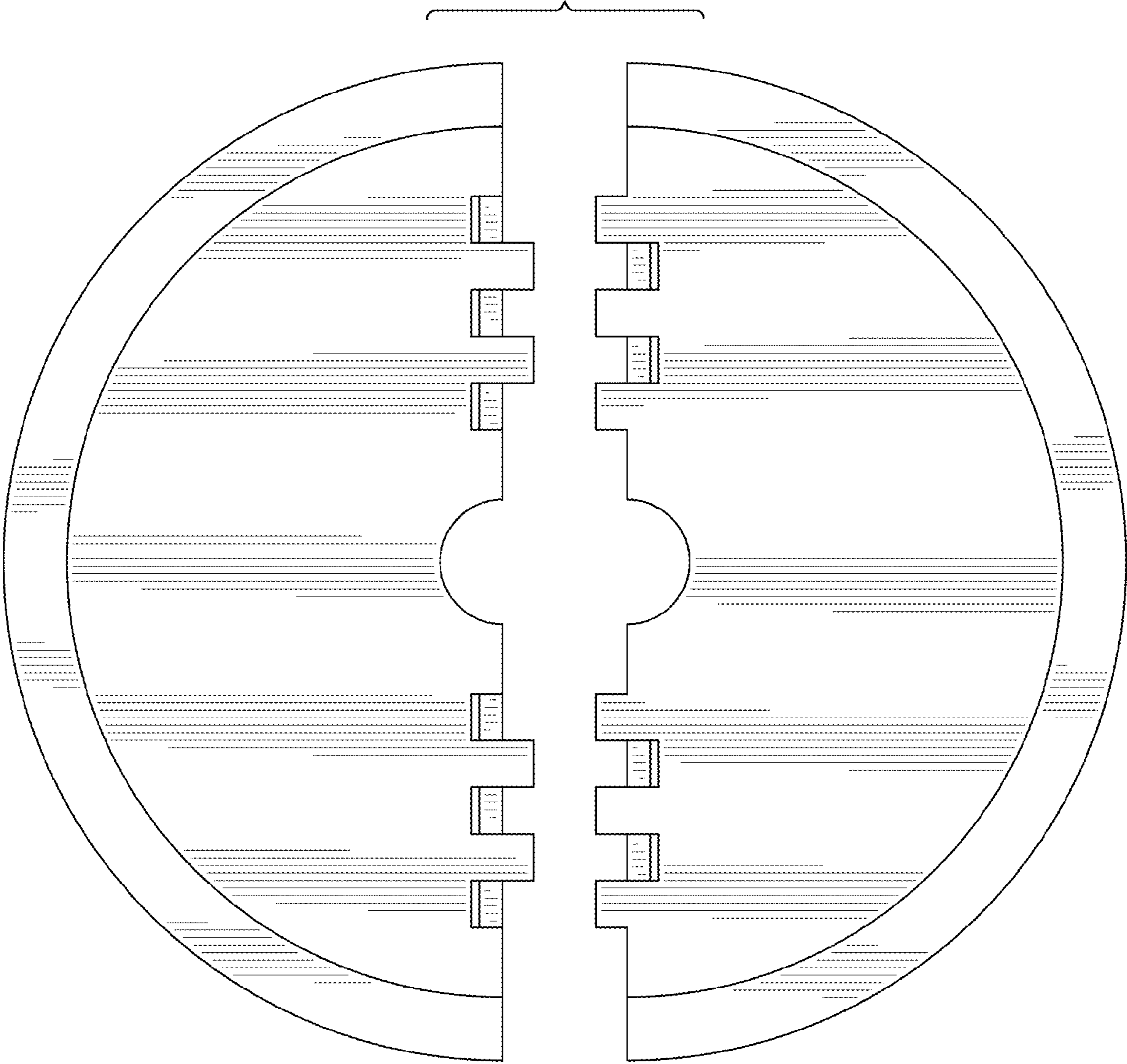


FIG. 3

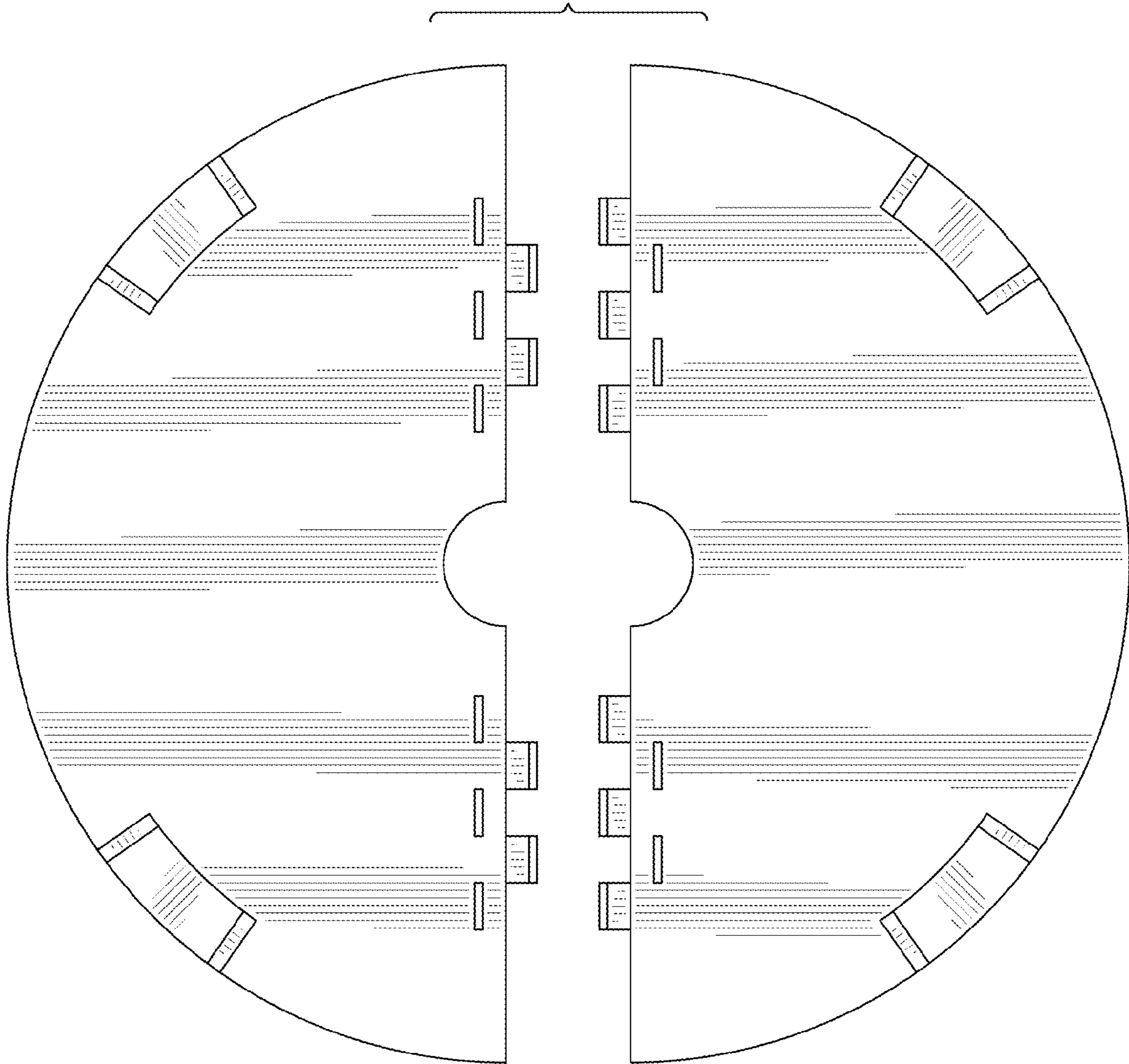


FIG. 4

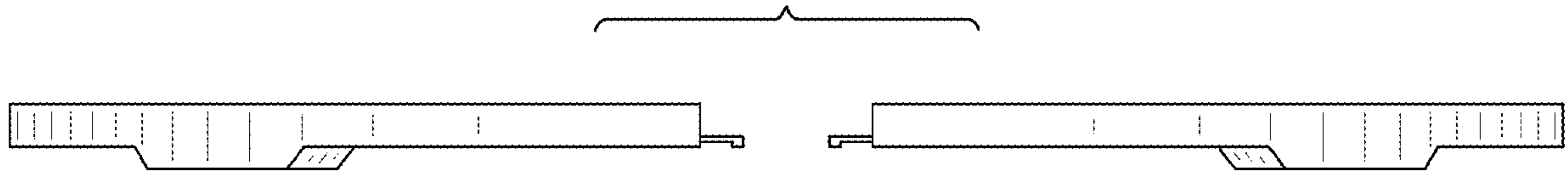


FIG. 5



FIG. 6

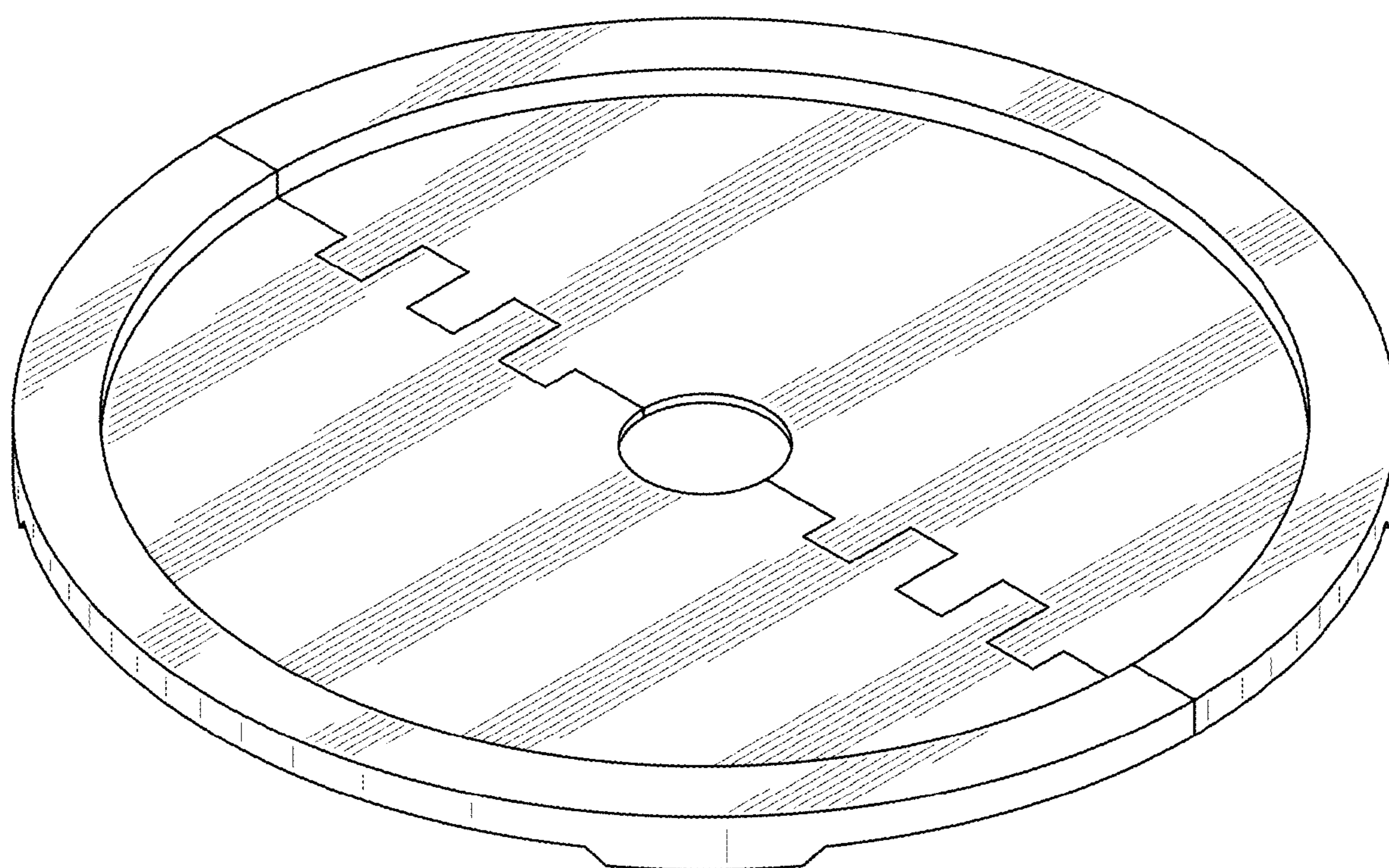


FIG. 7



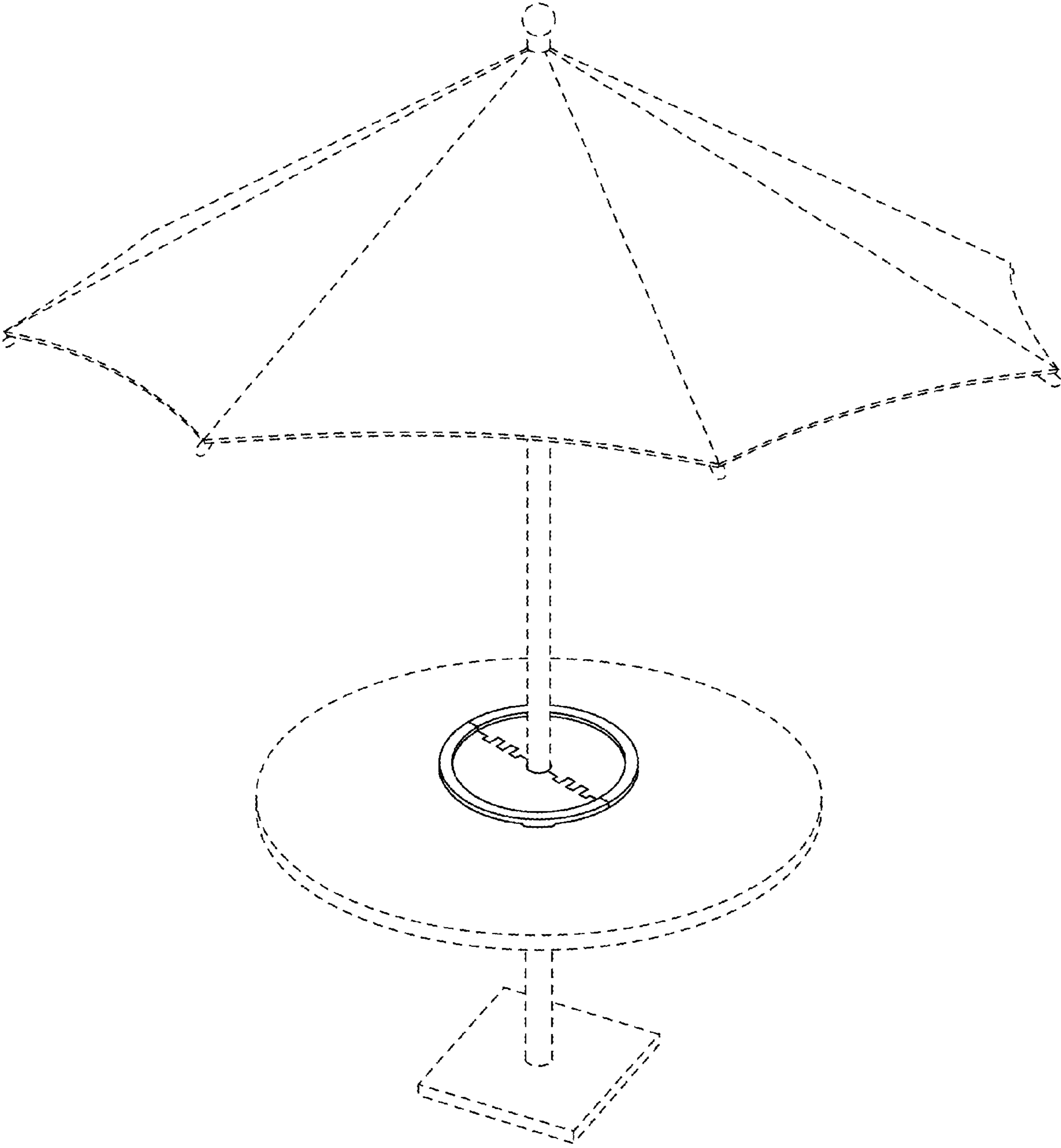


FIG. 8