

US00D955815S

(12) **United States Design Patent**  
**Pasqual et al.**

(10) **Patent No.:** **US D955,815 S**  
(45) **Date of Patent:** **\*\* Jun. 28, 2022**

(54) **HEATER UNIT**

(71) Applicant: **Zoppas Industries de Mexico S.A., de C.V.**, San Luis Potosí (MX)

(72) Inventors: **Maurizio Francesco Pasqual**, San Luis Potosí (MX); **Jose Jesus Reyes Soto**, San Luis Potosí (MX); **Alfredo Cuevas Morales**, San Luis Potosí (MX); **Pierpaolo Campeol**, San Luis Potosí (MX)

(73) Assignee: **Zoppas Industries de Mexico S.A., de C.V.**

(\*\*) Term: **15 Years**

(21) Appl. No.: **29/694,309**

(22) Filed: **Jun. 10, 2019**

(51) **LOC (13) Cl.** ..... **07-02**

(52) **U.S. Cl.**  
USPC ..... **D7/407**

(58) **Field of Classification Search**

USPC ..... D7/213, 323, 327, 331, 339, 340, 346, D7/348, 350.1, 352, 354, 355, 357, 362, D7/365, 367, 387, 388, 402, 403, D7/406-409, 412; D23/332, 335, 339, D23/341, 382, 390, 397  
CPC .. A47J 27/00; A47J 27/02; A47J 27/14; A47J 33/00; A47J 36/00; A47J 36/16; A47J 36/34; A47J 36/42; A47J 37/00; A47J 37/01; A47J 37/04; A47J 37/06; A47J 37/0647; A47J 37/07; A47J 37/0713; A47J 37/0727; A47J 37/074; A47J 39/00; A47J 39/003; A47J 43/00; A47J 43/20; A47J 47/00; F24B 1/20; F24C 3/00; F24C 3/002; F24C 3/004; F24C 3/006; F24C 3/008; F24C 3/02; F24C 3/025; F24C 3/027; F24C 3/04; F24C 3/042; F24C 3/045; F24C 3/047; F24C 3/06; F24C 3/062; F24C 3/065; F24C 3/067; F24C 3/08; F24C 3/082; F24C 3/085; F24C 7/00; F24C

(Continued)

(56) **References Cited**

U.S. PATENT DOCUMENTS

3,192,361 A \* 6/1965 Post ..... H05B 3/76  
219/454.11  
4,435,638 A \* 3/1984 Simon ..... H05B 3/76  
126/39 E

(Continued)

OTHER PUBLICATIONS

Design No. 301030243, Sep. 30, 2009—Chinese National Intellectual Property Administration (CNIPA) Publication Date—Sep. 30, 2009 Owner—Jiangsu Shunfa Electric Heating Material Co Ltd, Designer—Sha Guowei WIPO, available at <https://www3.wipo.int/designdb/en/index.jsp> (Year: 2009).\*

(Continued)

*Primary Examiner* — Mary Ann Calabrese

*Assistant Examiner* — Natalya M Rapundalo

(74) *Attorney, Agent, or Firm* — Mintz, Levin, Cohn, Ferris, Glovsky and Popeo, P.C.

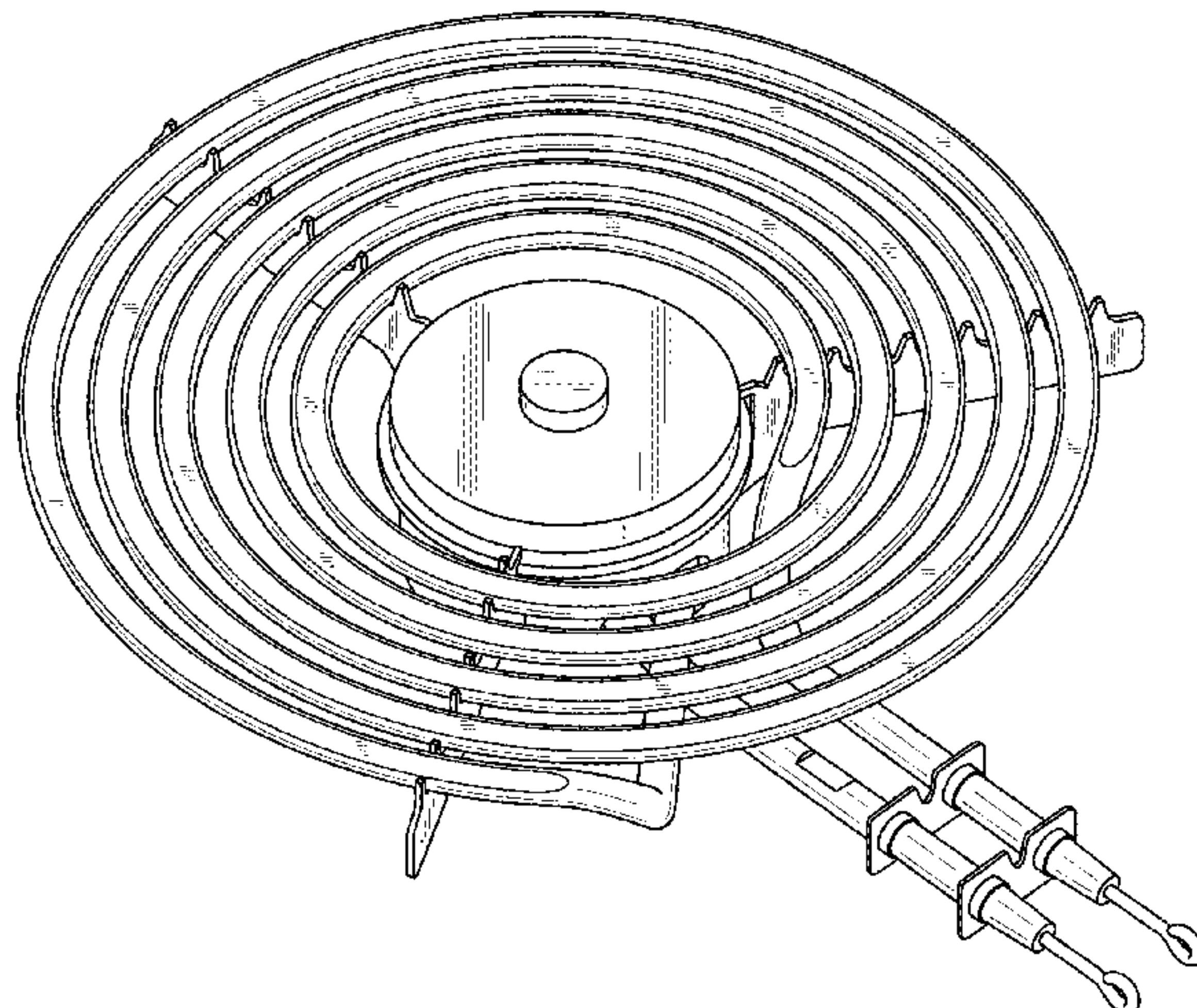
(57) **CLAIM**

The ornamental design for a heater unit, as shown and described.

**DESCRIPTION**

FIG. 1 is a top, front, and left side perspective view of a heater unit of our design;  
FIG. 2 is a bottom, front, and right side perspective view thereof;  
FIG. 3 is a top view thereof;  
FIG. 4 is a bottom view thereof;  
FIG. 5 is a right side view thereof;  
FIG. 6 is a left side view thereof;  
FIG. 7 is a rear view thereof; and,  
FIG. 8 is a front view thereof.

**1 Claim, 6 Drawing Sheets**



(58) **Field of Classification Search**

CPC . 7/002; F24C 7/04; F24C 7/043; F24C 7/046;  
 F24C 7/06; F24C 7/062; F24C 7/067;  
 F24C 9/00; F24C 11/00; F24C 15/00;  
 F24C 15/06; F24C 15/10; F24C 15/102;  
 F24C 15/103; F24C 15/107; F24C  
 15/108; F24C 15/12

See application file for complete search history.

(56) **References Cited**

U.S. PATENT DOCUMENTS

5,227,611	A *	7/1993	Allatt .....	H05B 3/76 219/454.12
5,347,609	A *	9/1994	Huff .....	F24C 1/06 219/452.11
5,410,128	A *	4/1995	Vermillion .....	F24C 15/102 219/454.11
6,049,068	A *	4/2000	Logan .....	H05B 3/681 219/453.11
D625,558	S *	10/2010	Griffith .....	H05B 3/24 D7/407
D638,927	S *	5/2011	Kidane .....	F24C 15/102 D23/415
D835,940	S *	12/2018	Krishnan .....	A47J 37/0676 D7/407
2011/0068094	A1 *	3/2011	Pan .....	H05B 3/68 219/452.11

2017/0356658	A1 *	12/2017	Smith .....	H05B 3/24
2018/0238557	A1 *	8/2018	Pasqual .....	H05B 3/76
2019/0186752	A1 *	6/2019	Xu .....	F24C 15/105

OTHER PUBLICATIONS

5304516159 Range Surface Element, first available Jul. 26, 2018, Amazon, [online], [site visited Dec. 11, 2020] Available from internet URL: <https://www.amazon.com/Frigidaire-5304516159-Original-Equipment-Manufacturer/dp/B07FXYPDRS> (Year: 2018).\*

ERP 5304516159 Range Safety Surface Element, first available Jun. 4, 2019, Amazon, [online], [site visited Dec. 11, 2020] Available from internet URL: <https://www.amazon.com/ERP-5304516159-Safety-Surface-Element/dp/B07SPX13CB> (Year: 2019).\*

Design No. 007370119-0002, Dec. 10, 2019—European Union Intellectual Property Office (EUIPO) Publication Date—Jan. 30, 2020 Owner—Zoppas Industries De Mexico S.A., De C.V., Designer—Maurizio F. Pasqual et al. DesignView, available at [www.tmdn.org/tmdsview-web/welcome](http://www.tmdn.org/tmdsview-web/welcome) (Year: 2020).\*

ERP WB30X31057 8-Inch Safety Surface Element For Electric Ranges, Walmart, [online], [site visited Dec. 11, 2020] Available from internet URL: <https://www.walmart.com/ip/ERP-WB30X31057-8-Inch-Safety-Surface-Element-For-Electric-Ranges/490210724> (Year: 2020).\*

Range/Stove/Oven Heating Element 5304516159, Frigidaire Parts, [online], [site visited Dec. 14, 2020] Available from internet URL: <https://www.frigidaireapplianceparts.com/PartDetail/Heating-Element/5304516159/4839734> (Year: 2020).\*

\* cited by examiner



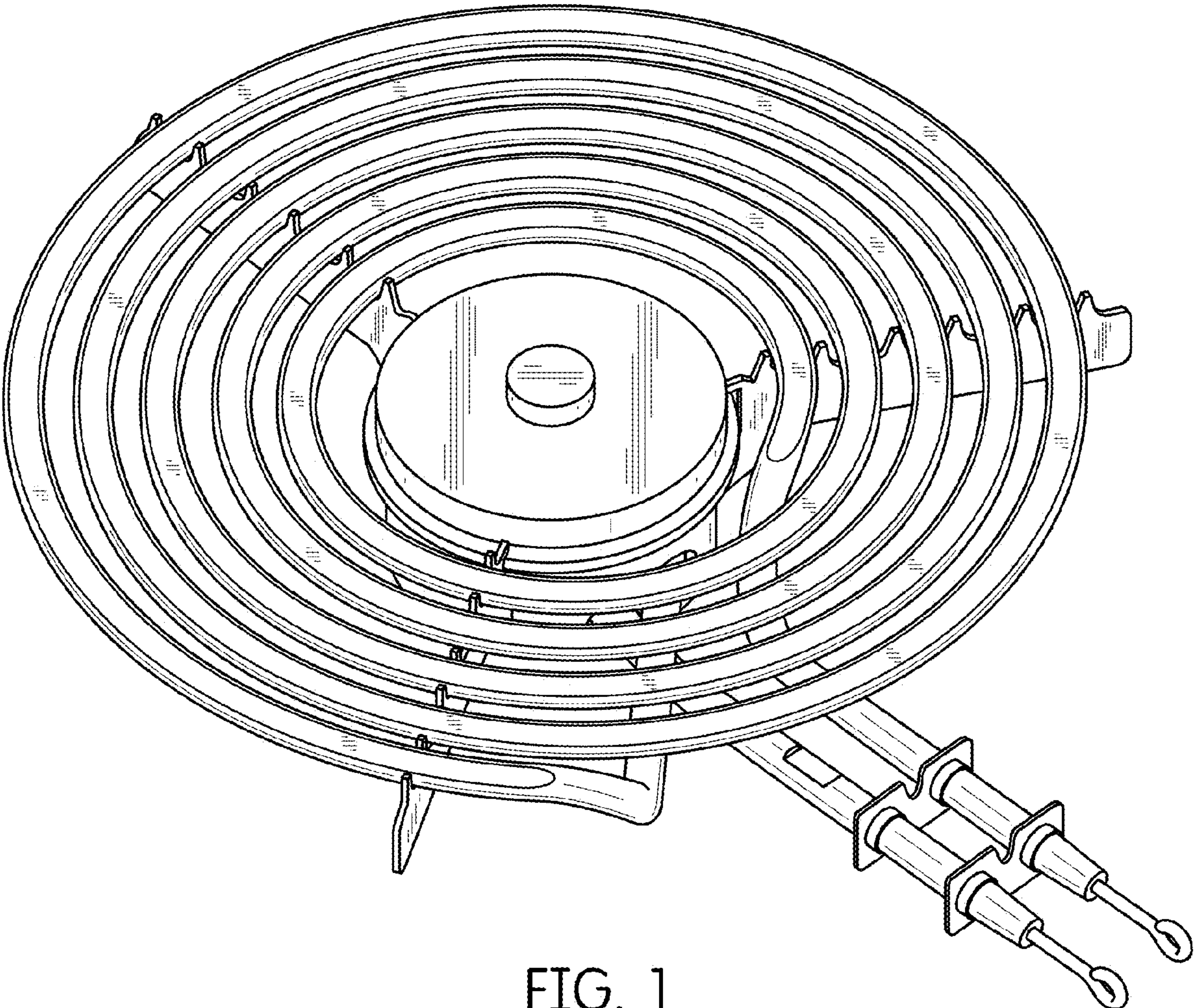


FIG. 1

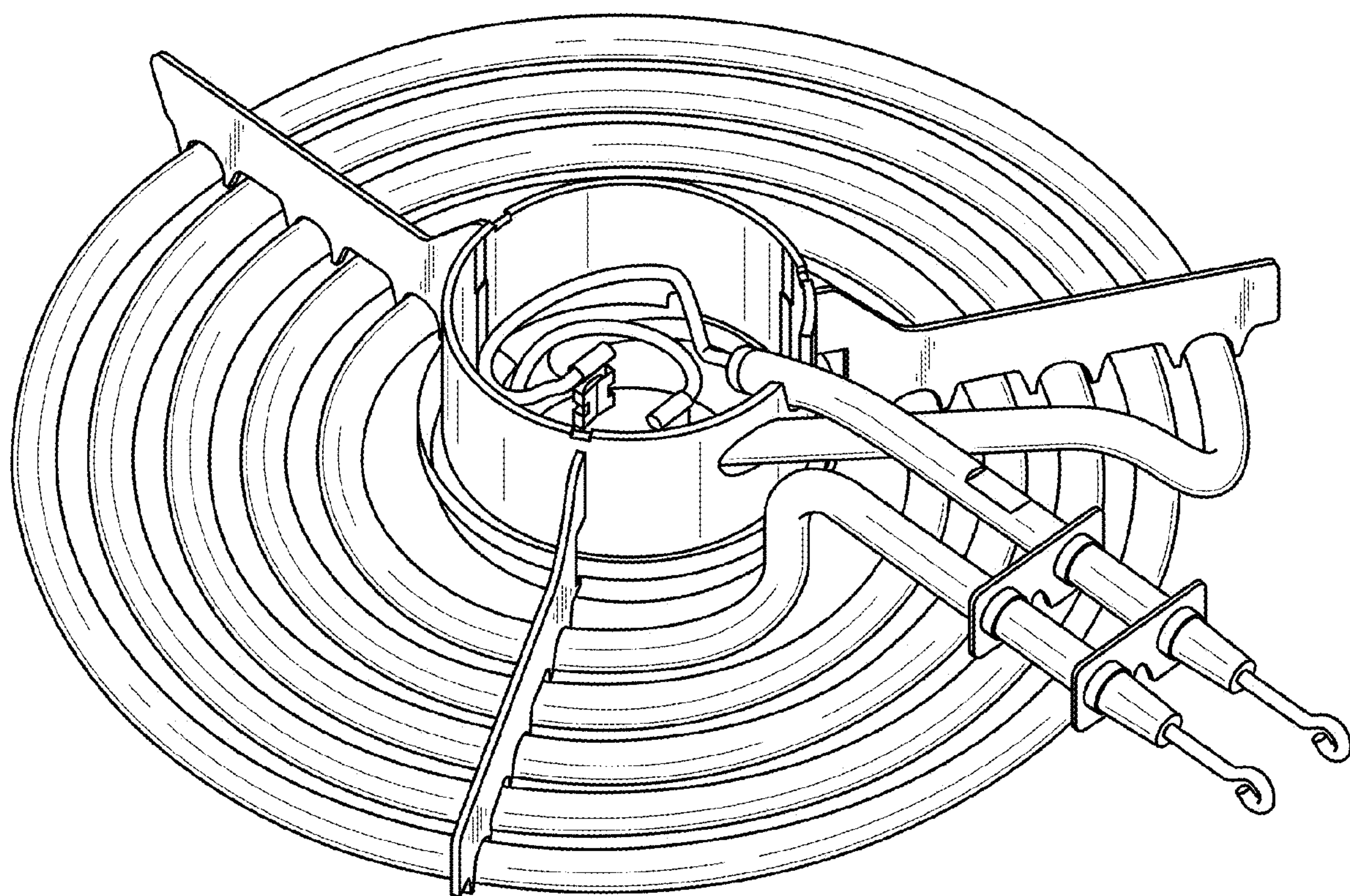


FIG. 2



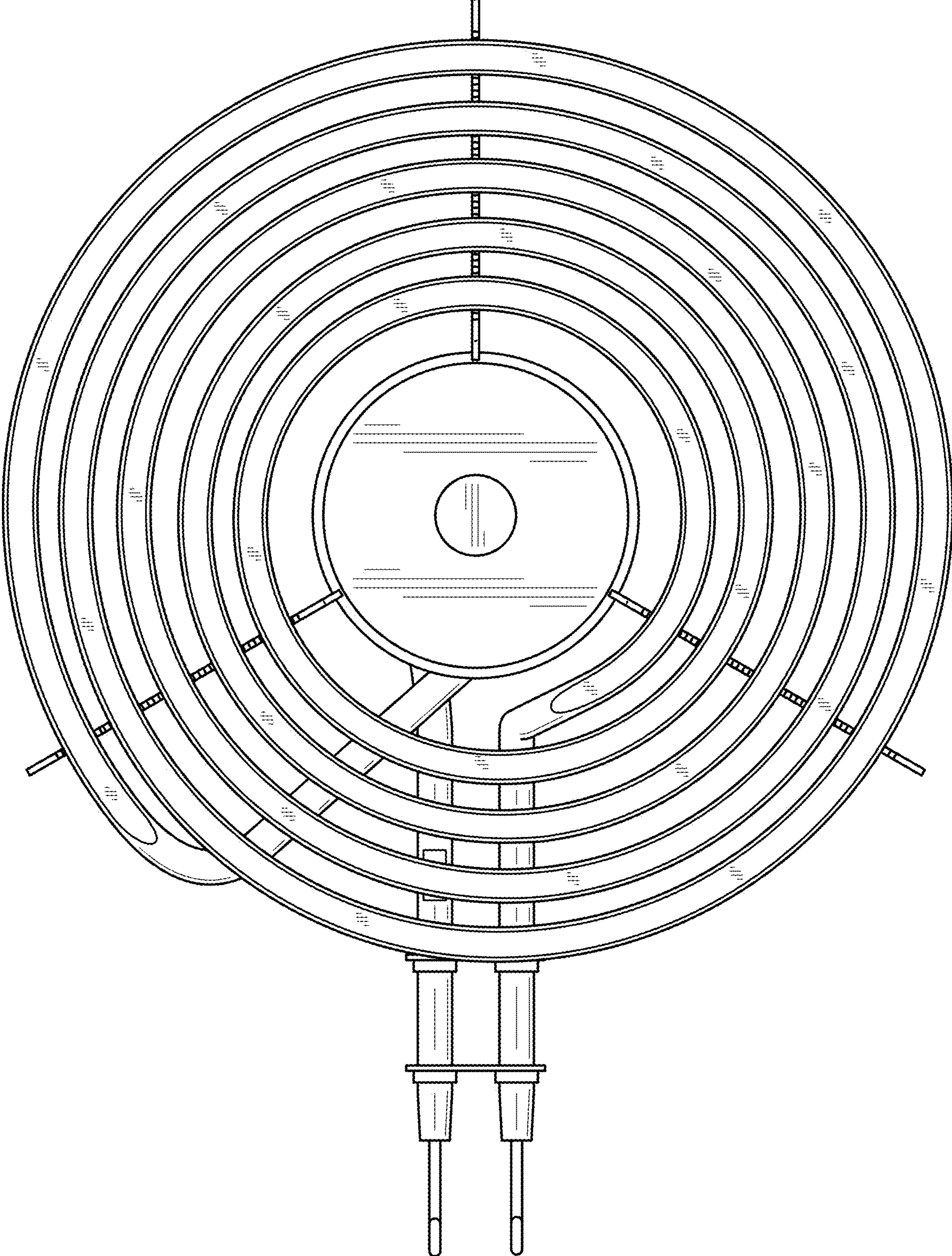


FIG. 3

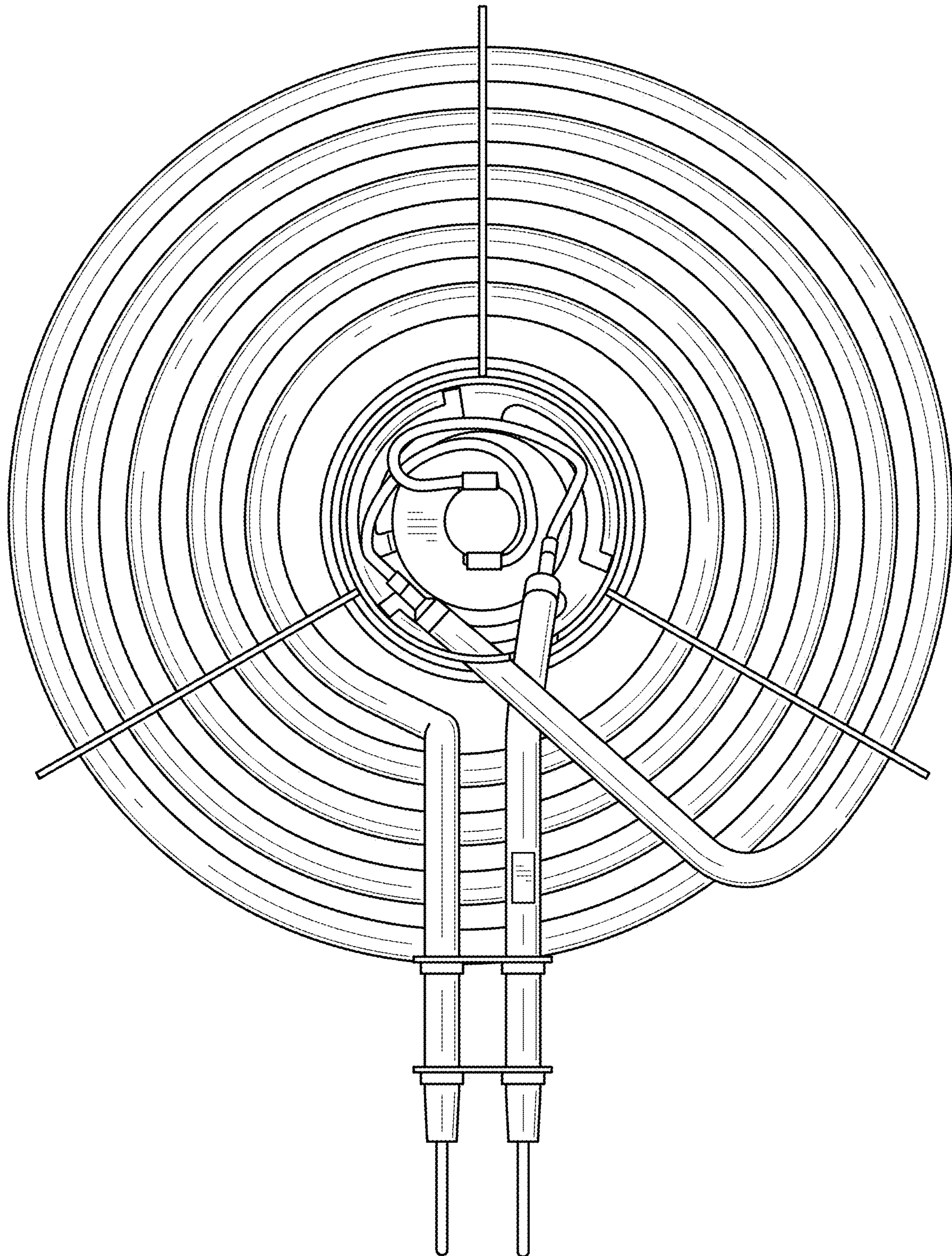


FIG. 4



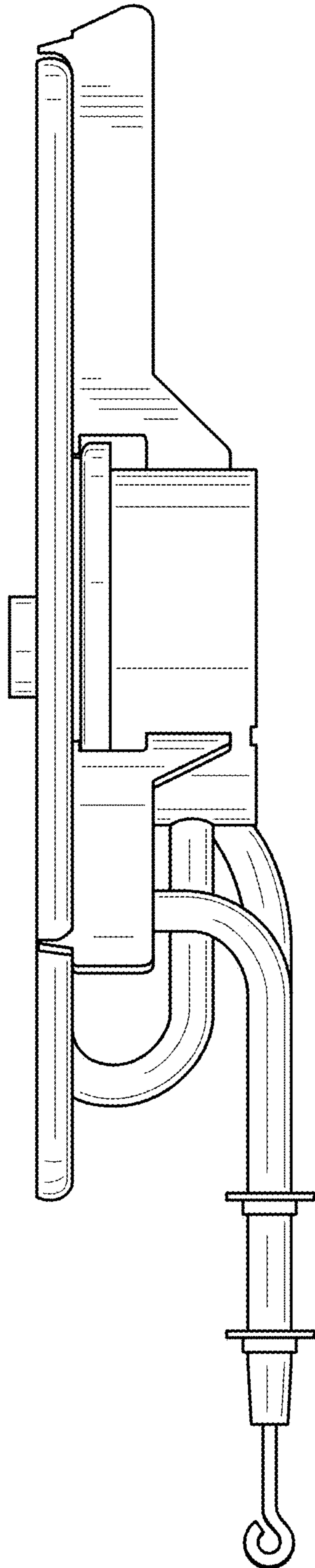


FIG. 5

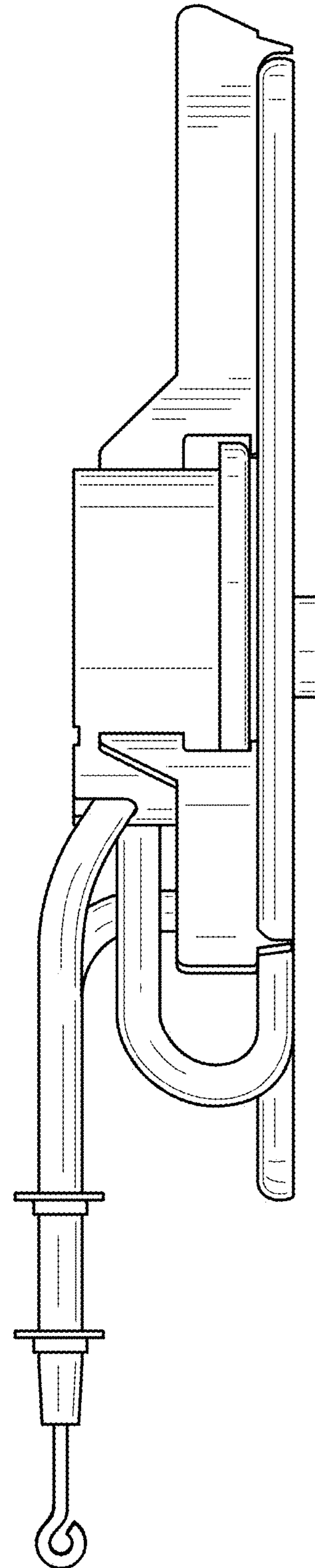


FIG. 6

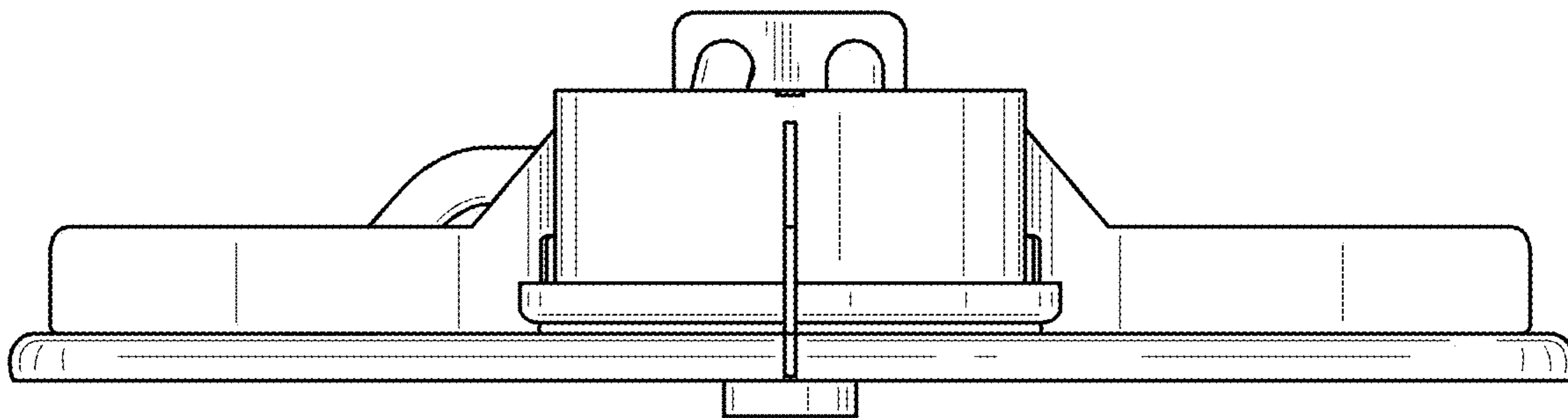


FIG. 7

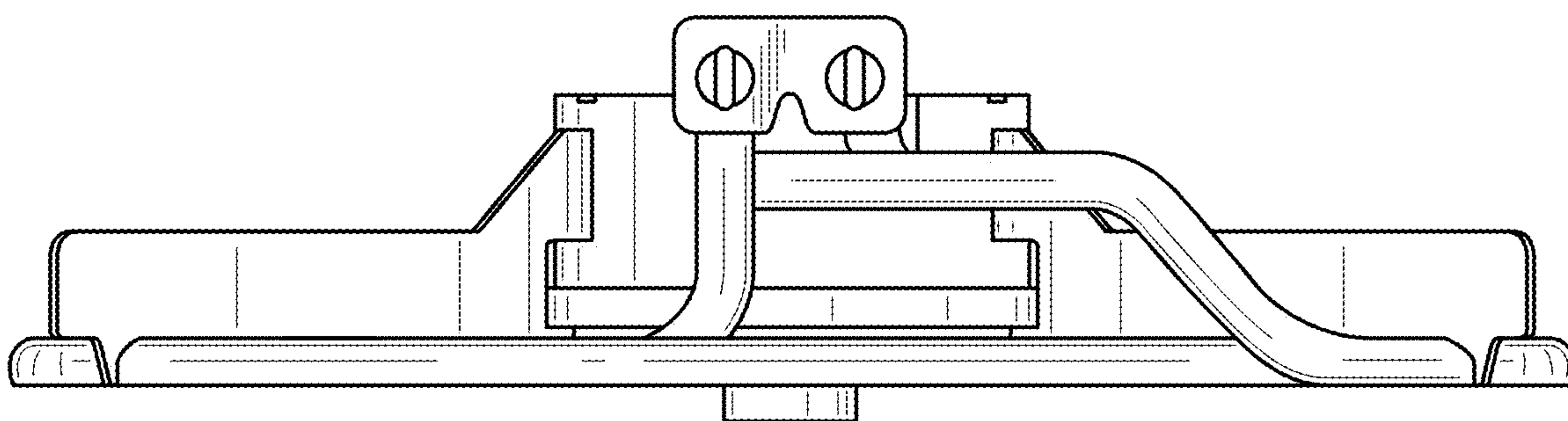


FIG. 8