



US00D955813S

(12) **United States Design Patent**
Campbell et al.

(10) **Patent No.:** **US D955,813 S**
(45) **Date of Patent:** **** Jun. 28, 2022**

(54) **MOUTHPIECE**

https://www.amazon.com/dp/B07W36TMCD/ref=emc_b_5_t (Year: 2019).*

(71) Applicant: **CAMELBAK PRODUCTS, LLC**,
Petaluma, CA (US)

Primary Examiner — Jae Liang

(72) Inventors: **Derek Campbell**, Petaluma, CA (US);
Eric Mar, San Rafael, CA (US);
Kelsey O. Hammond, Santa Rosa, CA (US)

(74) *Attorney, Agent, or Firm* — Amardeep S. Grewal;
Gerard M. Donovan; Reed Smith LLP

(73) Assignee: **CAMELBAK PRODUCTS, LLC**,
Petaluma, CA (US)

(57) **CLAIM**

The ornamental design for a mouthpiece, as shown and described.

(**) Term: **15 Years**

DESCRIPTION

(21) Appl. No.: **29/812,496**

FIG. 1 is a perspective view of a first embodiment of a mouthpiece showing our new design;

(22) Filed: **Oct. 21, 2021**

FIG. 2 is a front view thereof;

Related U.S. Application Data

(63) Continuation of application No. 29/753,713, filed on Oct. 1, 2020, now Pat. No. Des. 938,226, which is a (Continued)

FIG. 3 is a rear view thereof;

(51) **LOC (13) Cl.** **07-01**

FIG. 4 is side view thereof;

(52) **U.S. Cl.**

USPC **D7/396.2**; D7/391; D9/435

FIG. 5 is another side view thereof;

(58) **Field of Classification Search**

USPC D7/387, 388, 391, 392.1, 396.1, 393, D7/396, 396.6, 507, 509, 510, 511, 624.1, (Continued)

FIG. 6 is a top view thereof;

(56) **References Cited**

U.S. PATENT DOCUMENTS

D537,714 S * 3/2007 Yerby D9/449
D566,549 S * 4/2008 Russell D9/445
D597,213 S * 7/2009 Barnett D24/117
8,584,902 B2 * 11/2013 Dejonge B65D 50/061
215/214

FIG. 7 is a bottom view thereof;

FIG. 8 is another perspective view thereof;

FIG. 9 is another perspective view thereof; and

FIG. 10 is another perspective view thereof.

FIG. 11 is a perspective view of a second embodiment of a mouthpiece showing our new design;

FIG. 12 is a front view thereof;

FIG. 13 is a rear view thereof;

FIG. 14 is side view thereof;

FIG. 15 is another side view thereof;

FIG. 16 is a top view thereof;

FIG. 17 is a bottom view thereof;

FIG. 18 is another perspective view thereof;

FIG. 19 is another perspective view thereof; and,

FIG. 20 is another perspective view thereof.

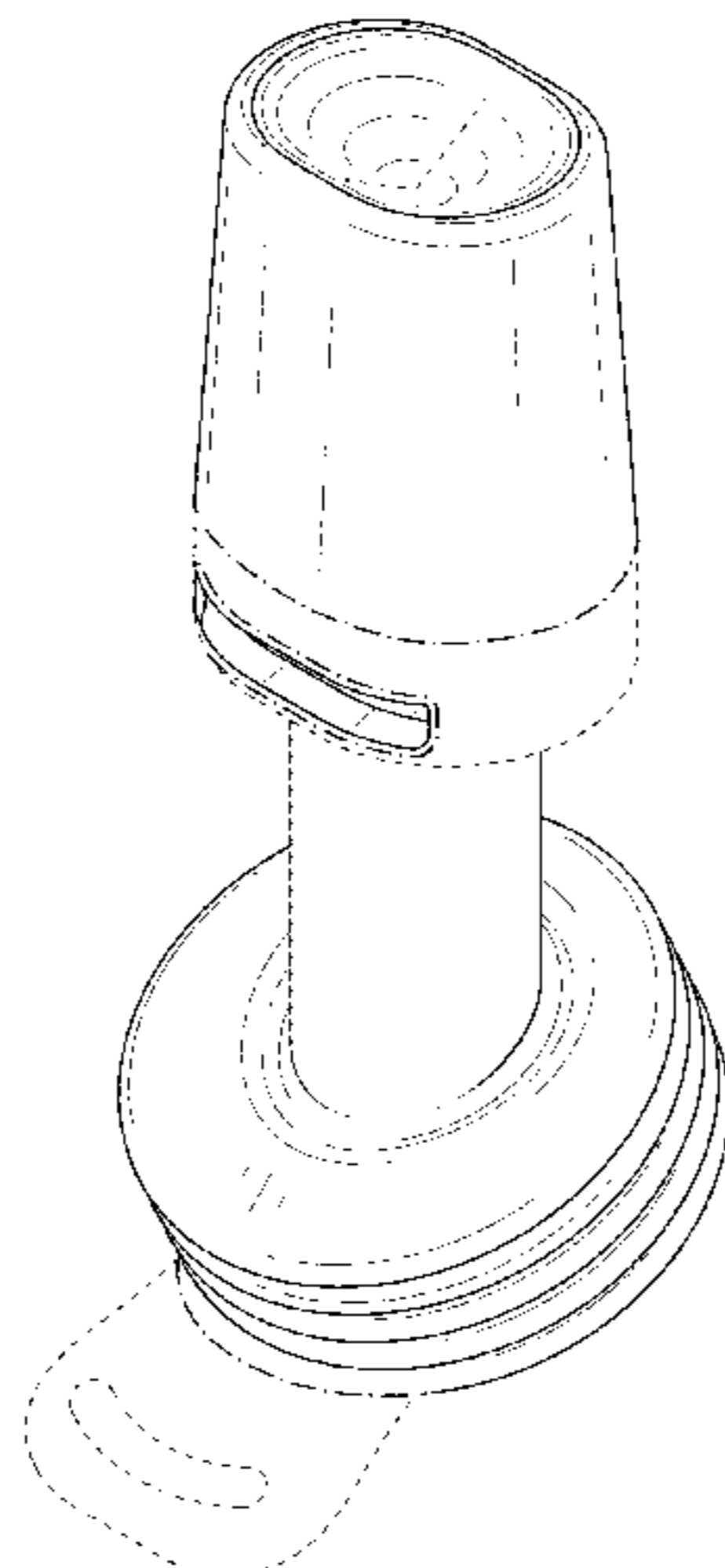
The dashed lines shown in the drawings illustrate portions of the mouthpiece that are not presently claimed and thus form no part of the presently claimed design. The shading lines shown in the drawings represent the three-dimensional contour of the claimed design and are not intended to indicate surface decoration. The dot-dash broken lines define the bounds of the claimed design and form no part thereof.

(Continued)

OTHER PUBLICATIONS

https://www.amazon.com/dp/B0019DCVTA/ref=cm_sw_em_r_mt_dp_HWCRSP00MFT5ZX43RTICR (Year: 2017).*

1 Claim, 18 Drawing Sheets



Related U.S. Application Data

continuation of application No. 29/671,012, filed on Nov. 21, 2018, now Pat. No. Des. 901,238, which is a continuation-in-part of application No. 29/649,585, filed on May 31, 2018, now Pat. No. Des. 871,836.

(58) **Field of Classification Search**

USPC D7/624.2, 601, 602, 608, 530, 531, 409,
D7/523, 396.2; D13/171, 174; D9/435,
D9/436, 454, 455, 456, 439, 443, 450,
D9/434

CPC A47G 19/22; A47G 19/2211; A47G
19/2216; A47F 3/16; A47J 27/21008;
A47J 27/21041

See application file for complete search history.

(56) **References Cited**

U.S. PATENT DOCUMENTS

D708,518 S * 7/2014 Ivosevic D9/445
D730,730 S * 6/2015 Haley D9/440
D769,712 S * 10/2016 Antignane D9/443
D835,937 S * 12/2018 Nichols D7/392.1
D847,560 S * 5/2019 Galland D7/392.1
D860,716 S * 9/2019 Abante D7/392.1
D871,133 S * 12/2019 Bullock D7/392.1
D871,836 S * 1/2020 Campbell D7/391
D901,238 S * 11/2020 Campbell D7/391
D938,226 S * 12/2021 Campbell D7/391
2014/0069947 A1 * 3/2014 Smith A47G 19/2272
264/254
2019/0367224 A1 * 12/2019 Campbell A45F 3/16

* cited by examiner

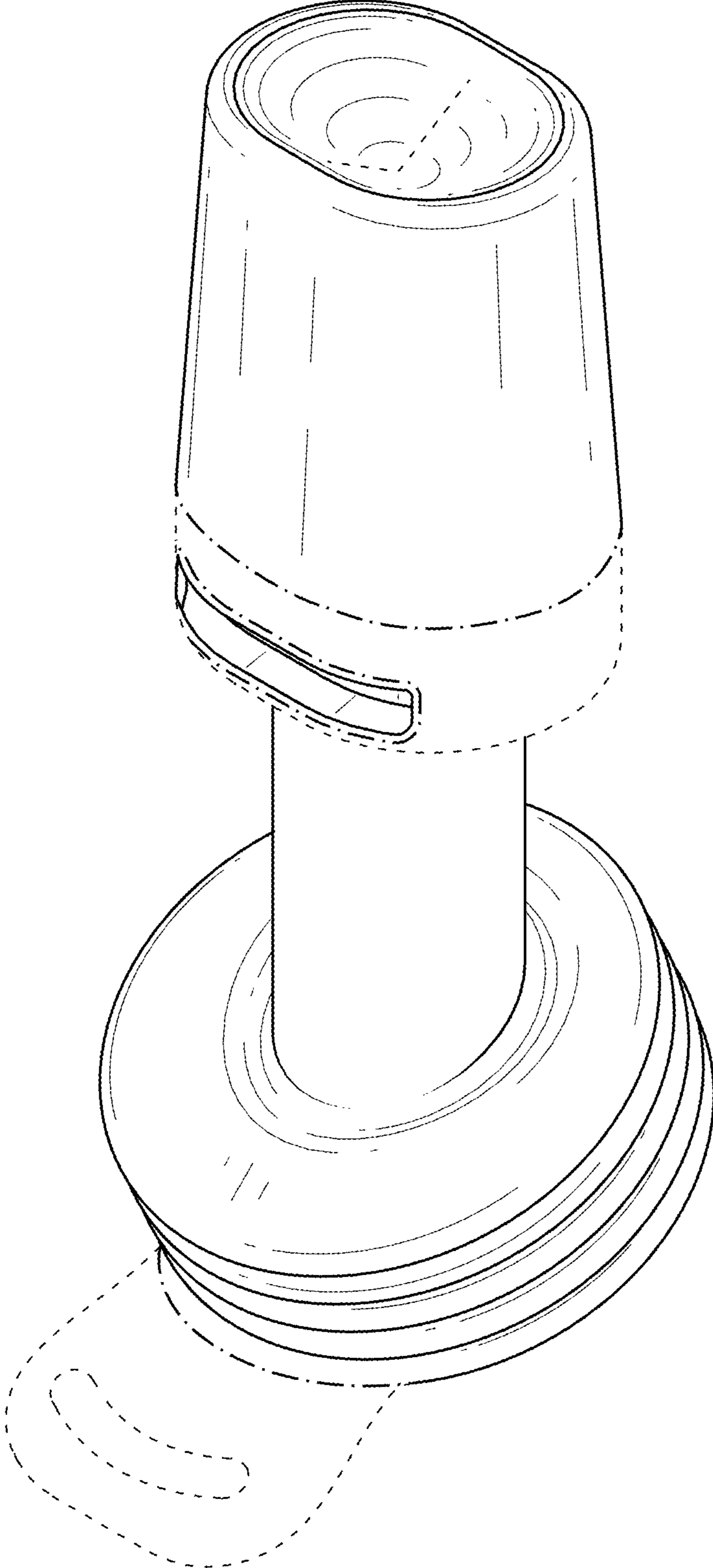


FIG. 1

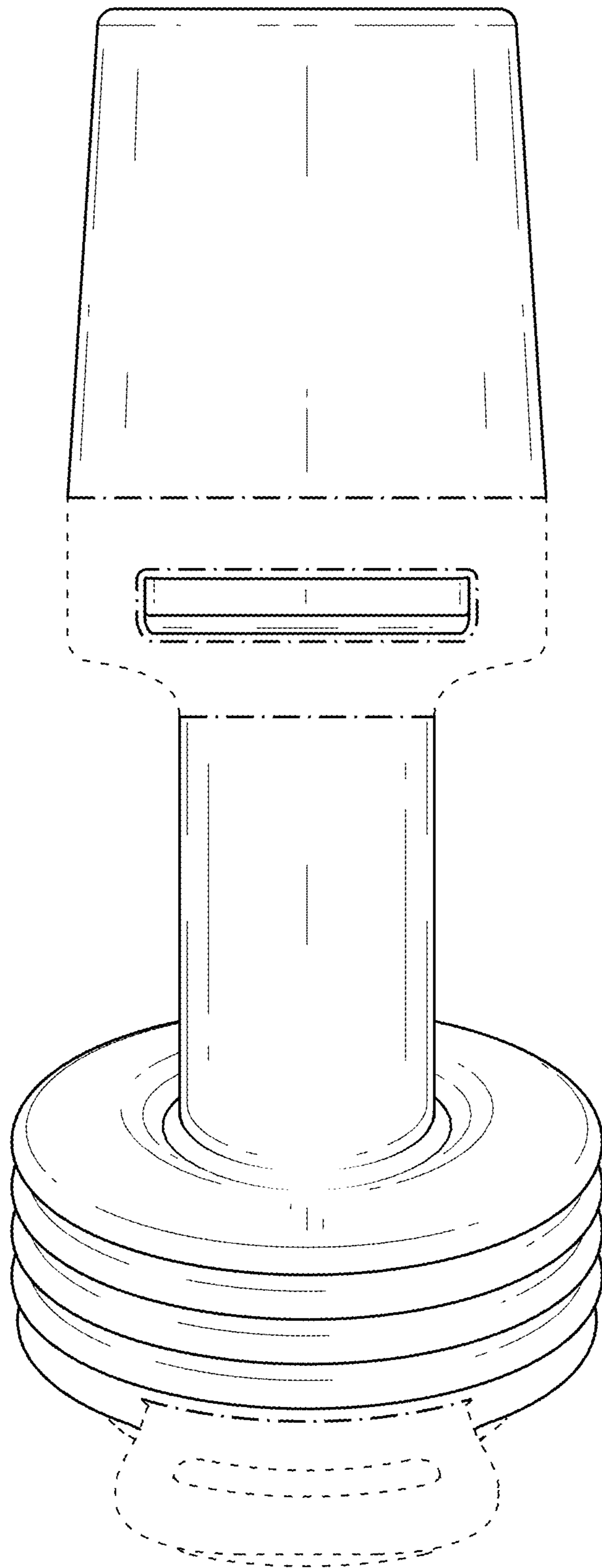


FIG. 2

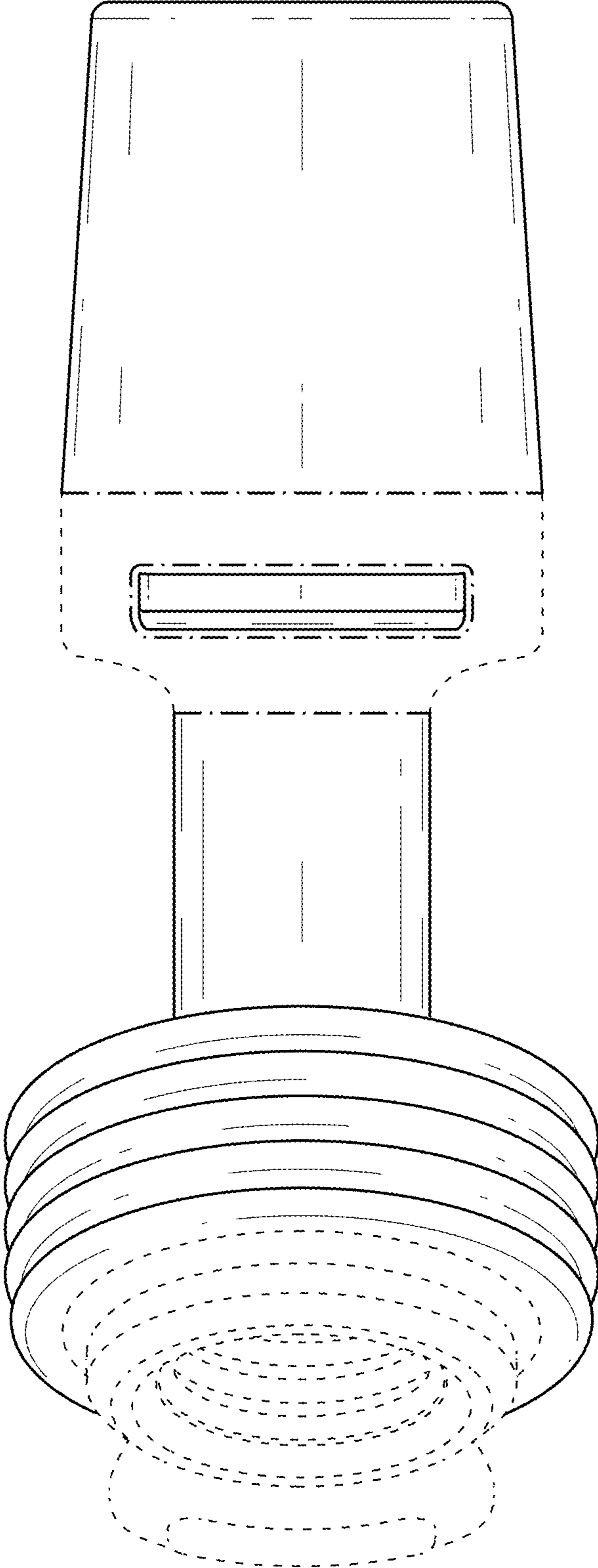


FIG. 3

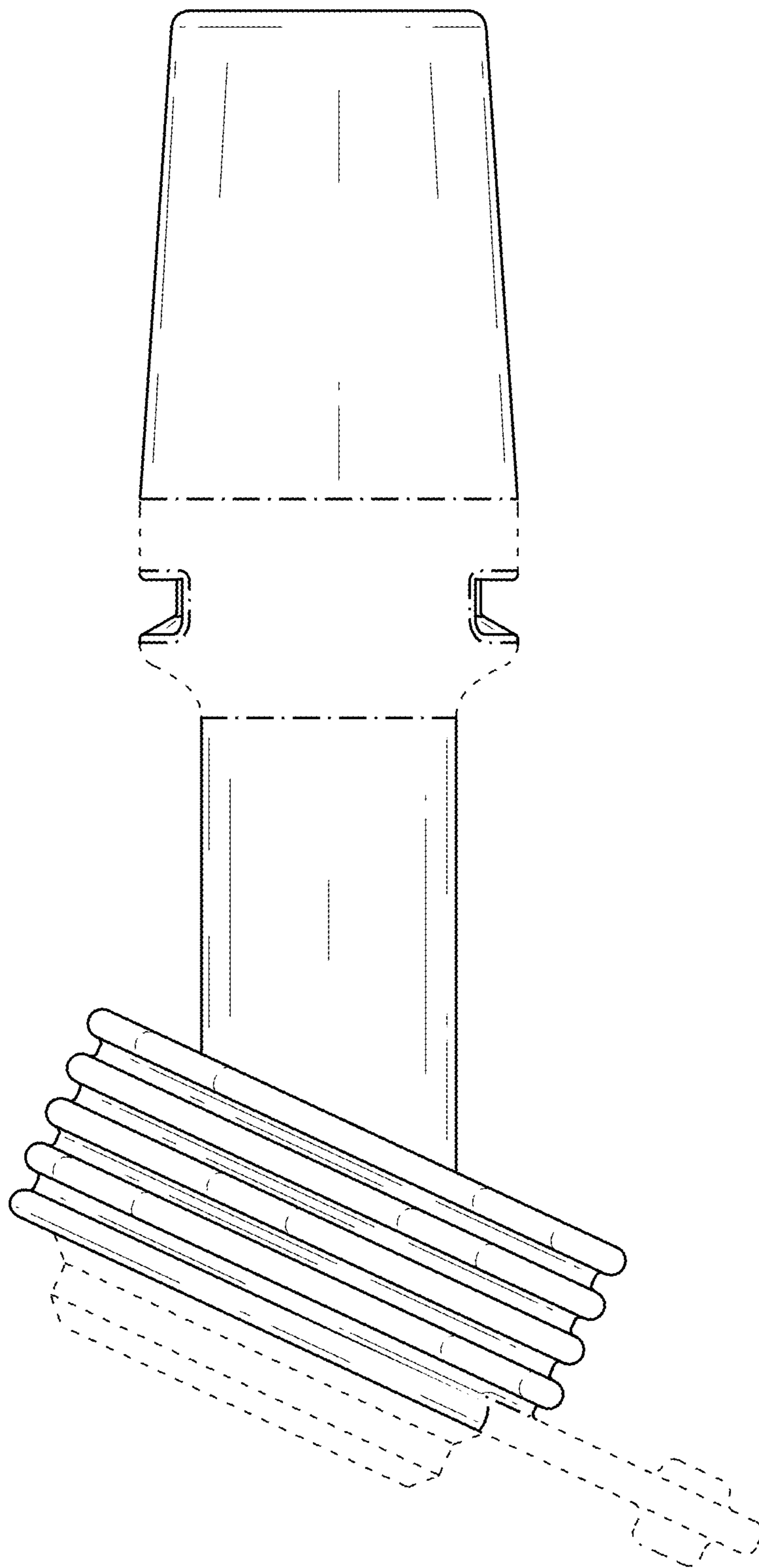


FIG. 4

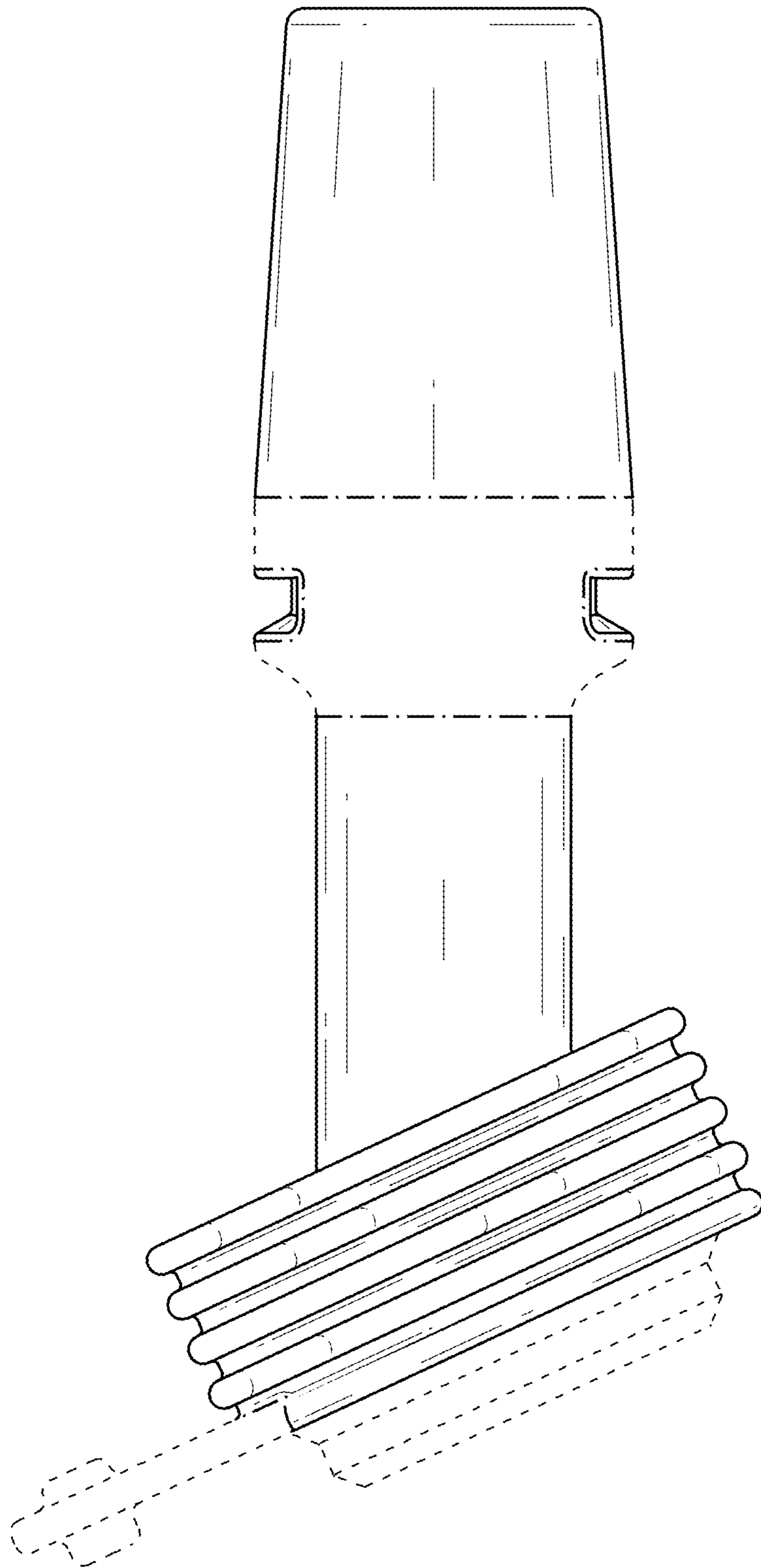


FIG. 5

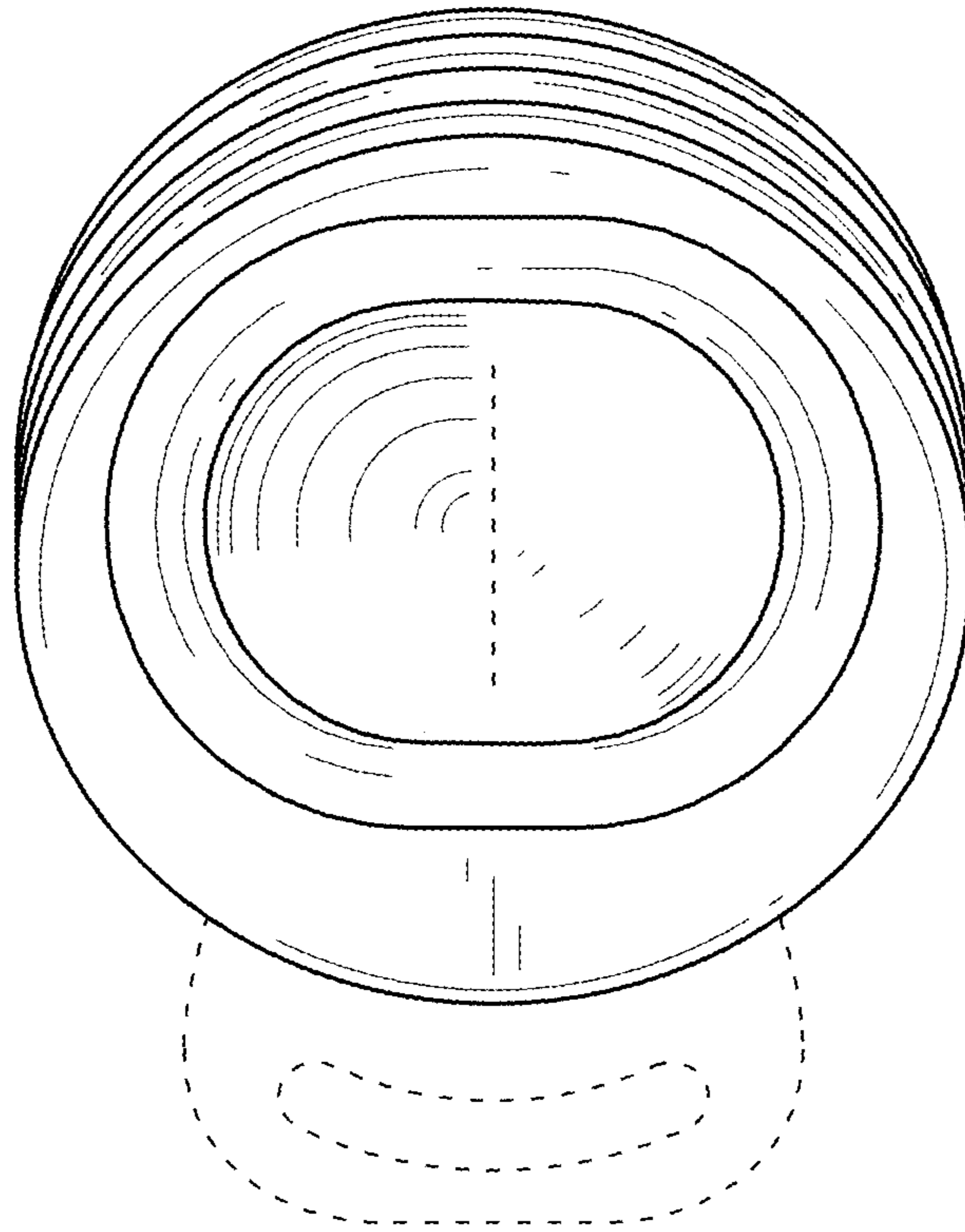


FIG. 6

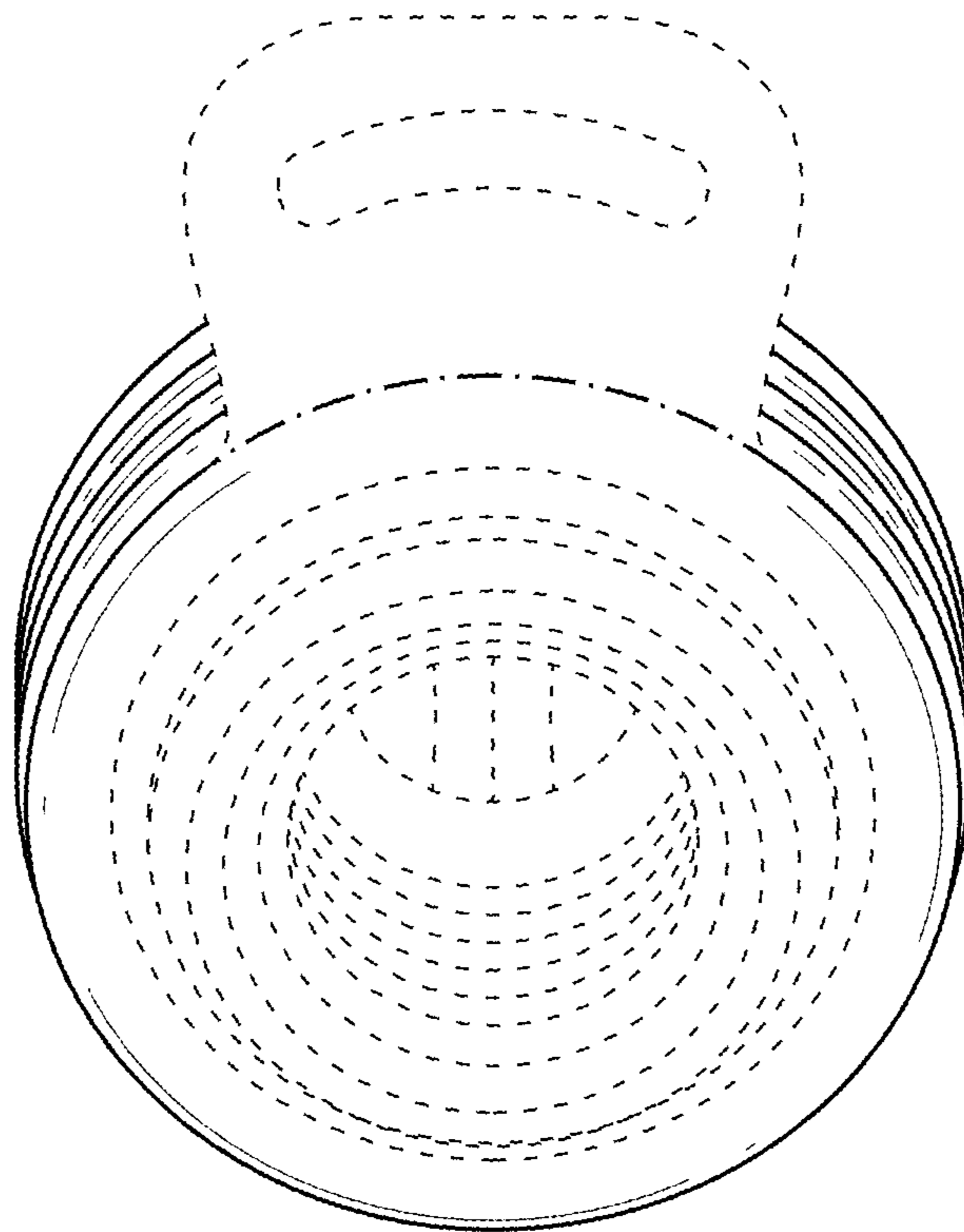


FIG. 7

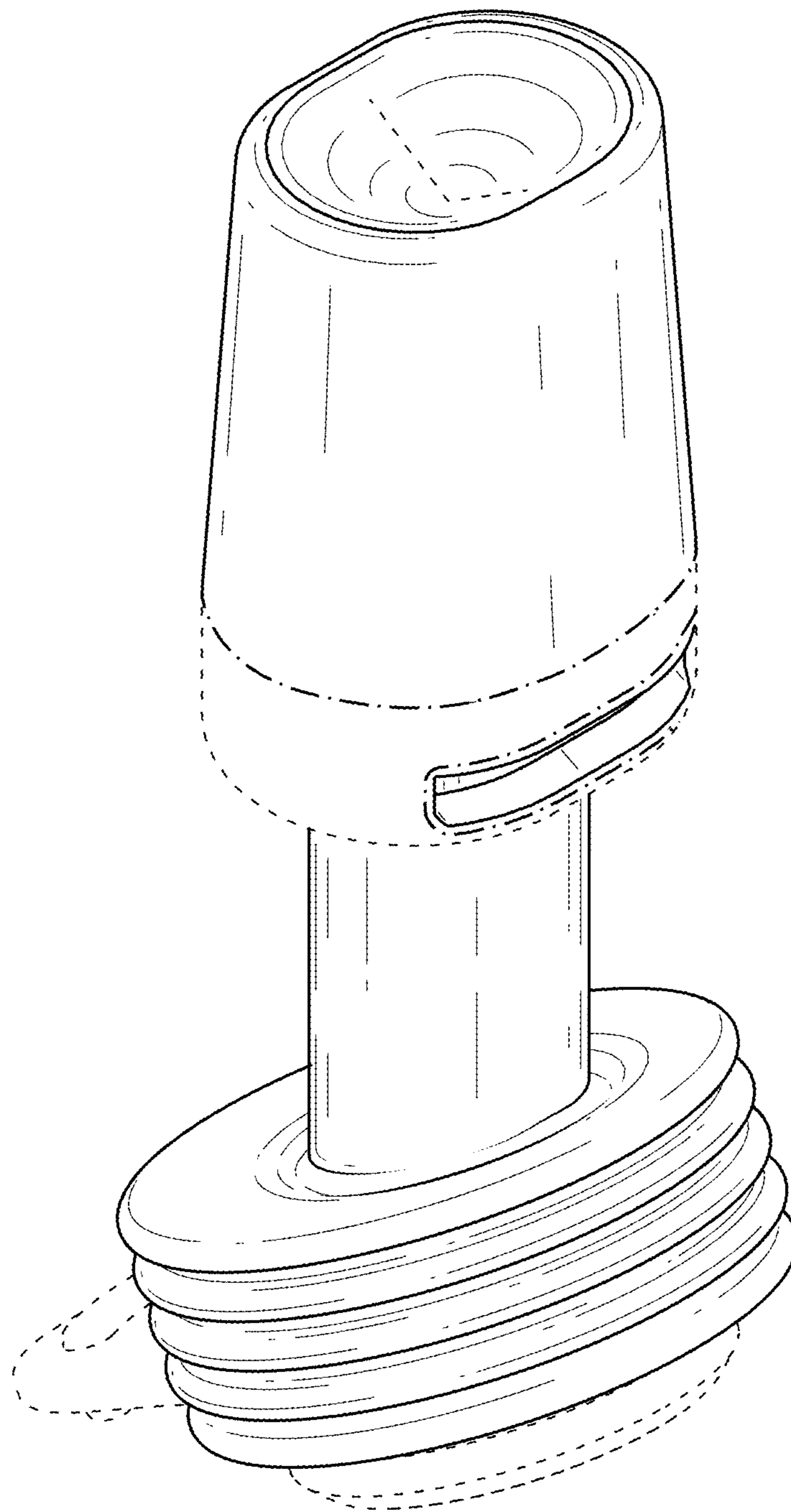


FIG. 8

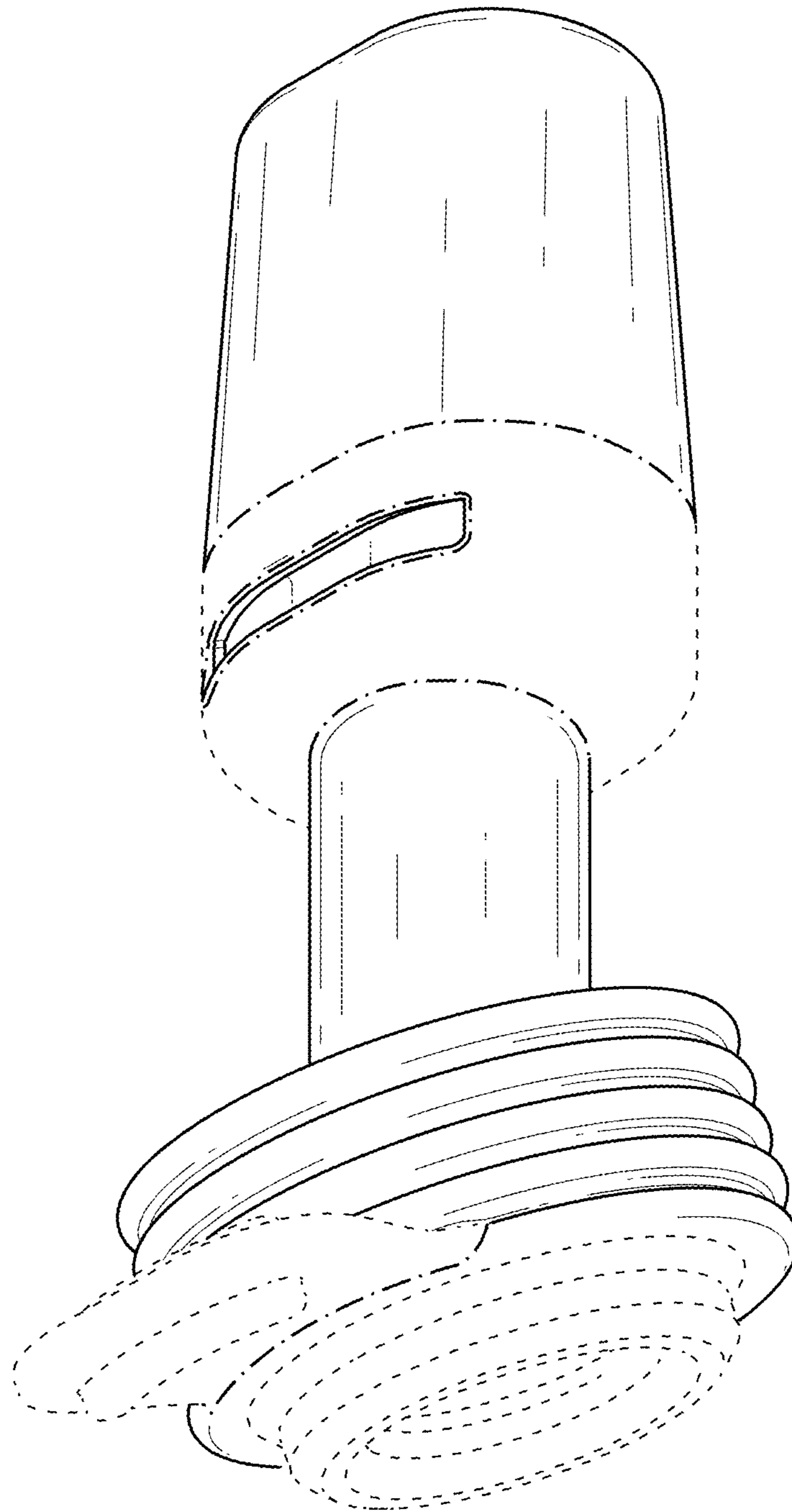


FIG. 9

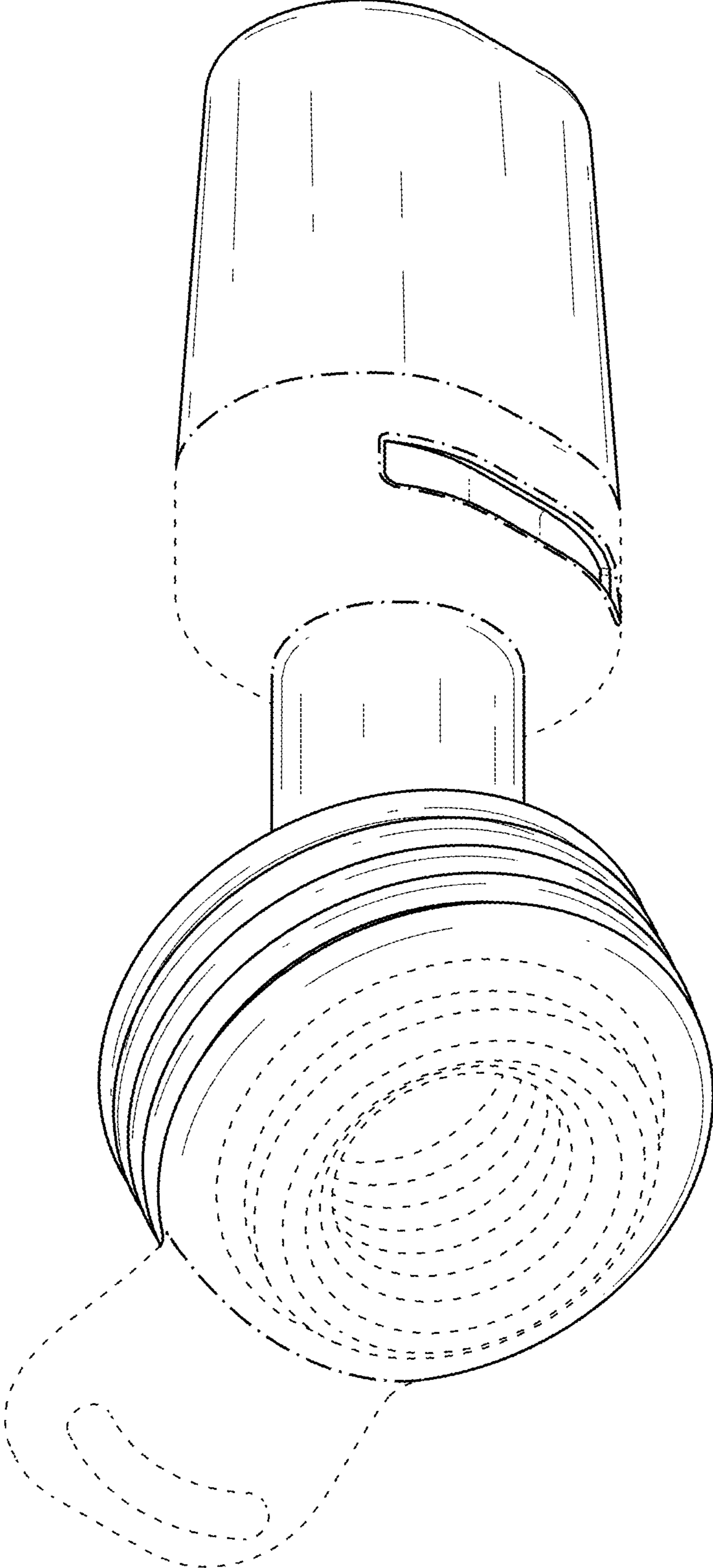


FIG. 10

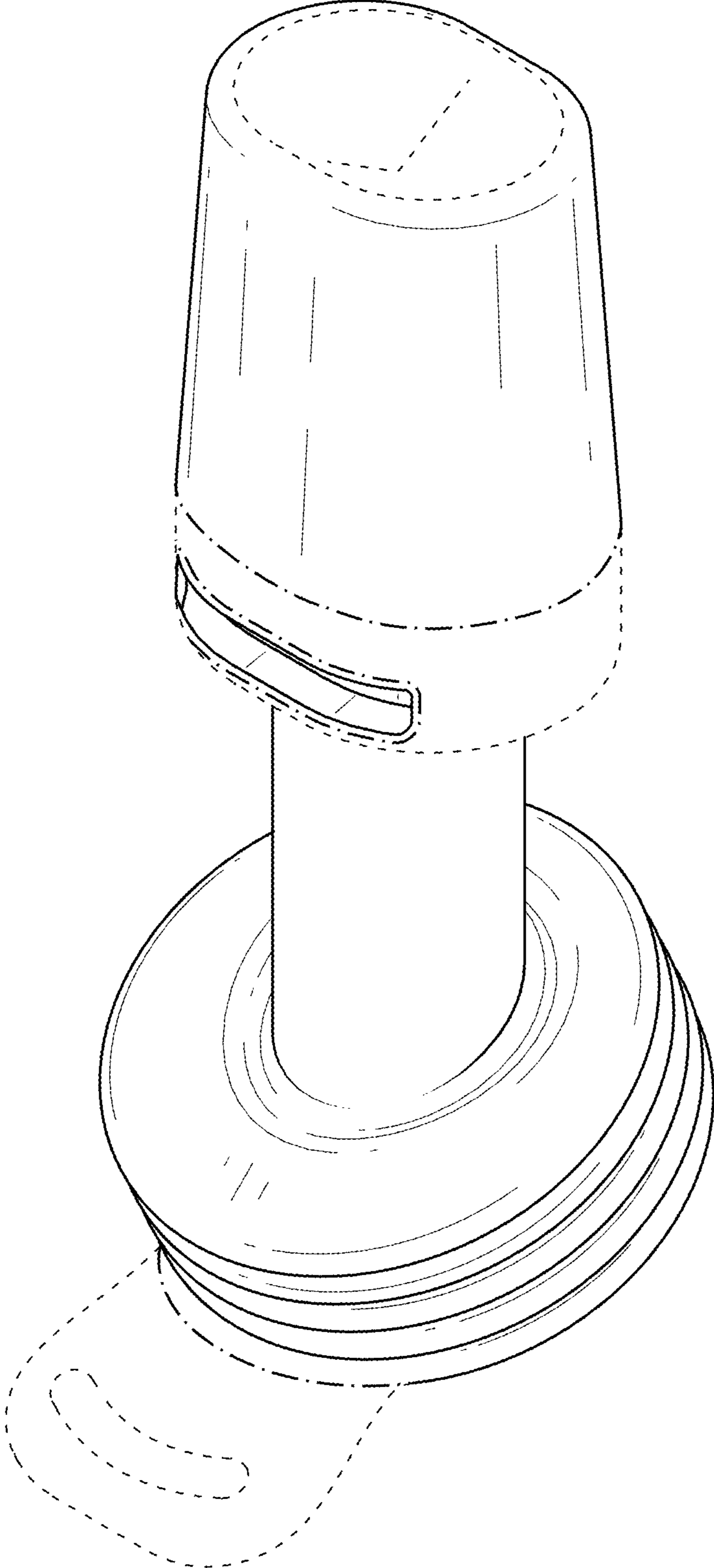


FIG. 11

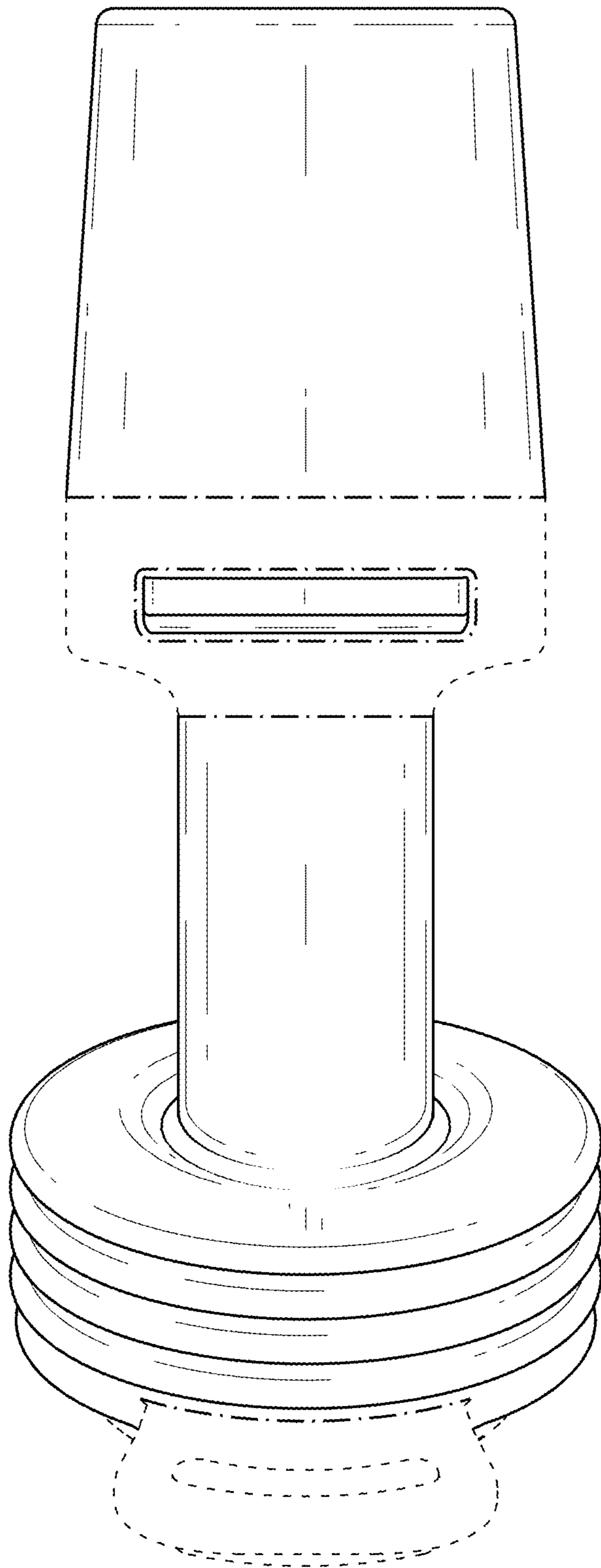


FIG. 12

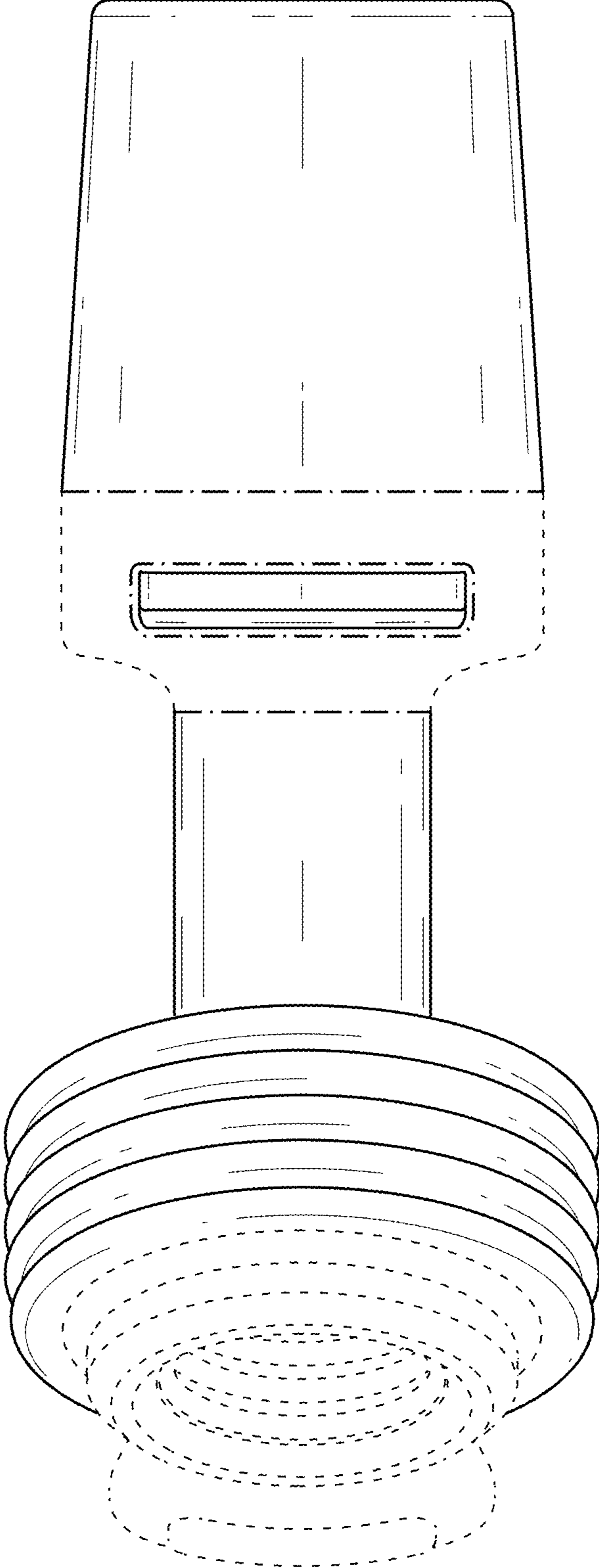


FIG. 13

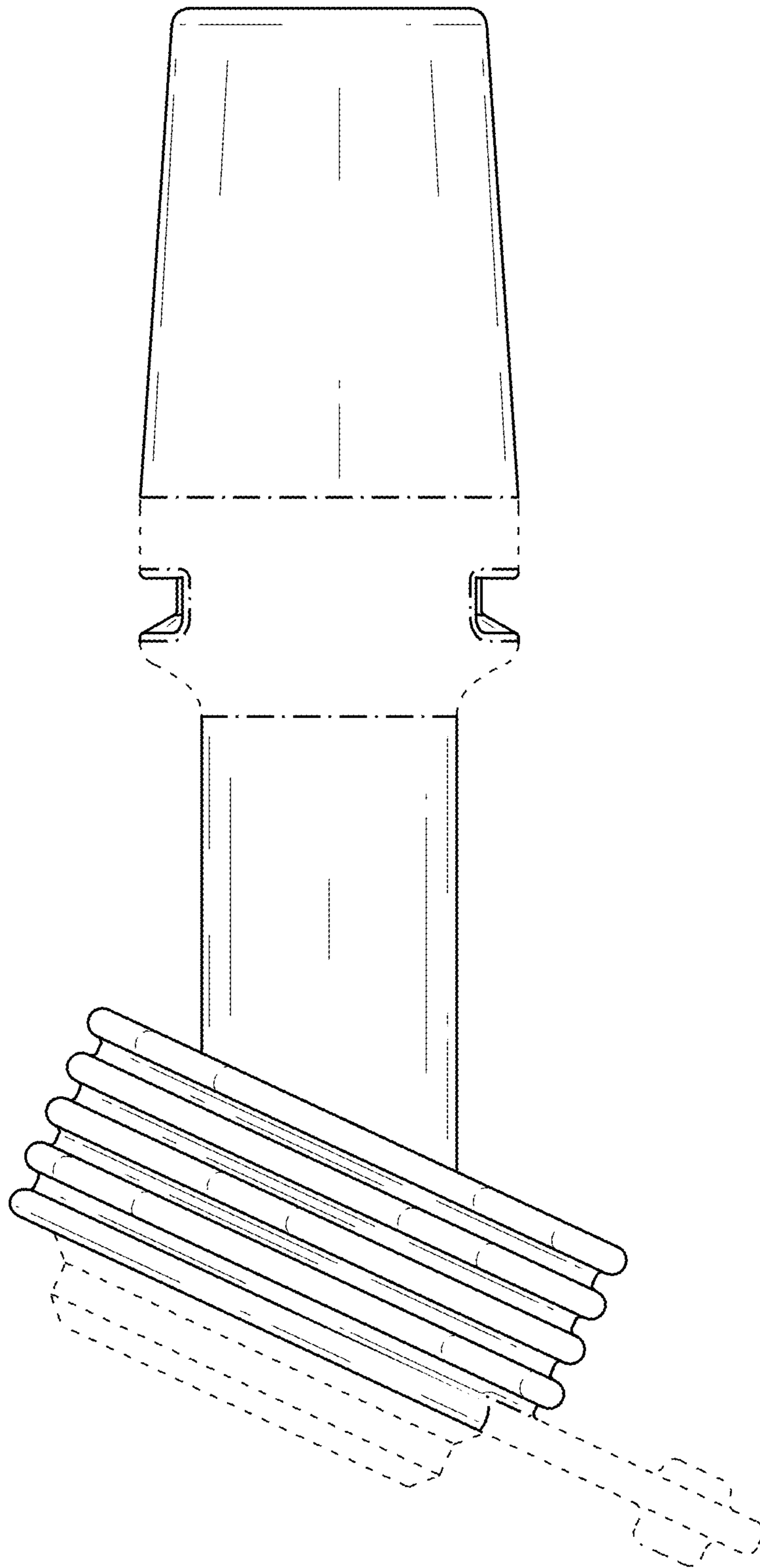


FIG. 14

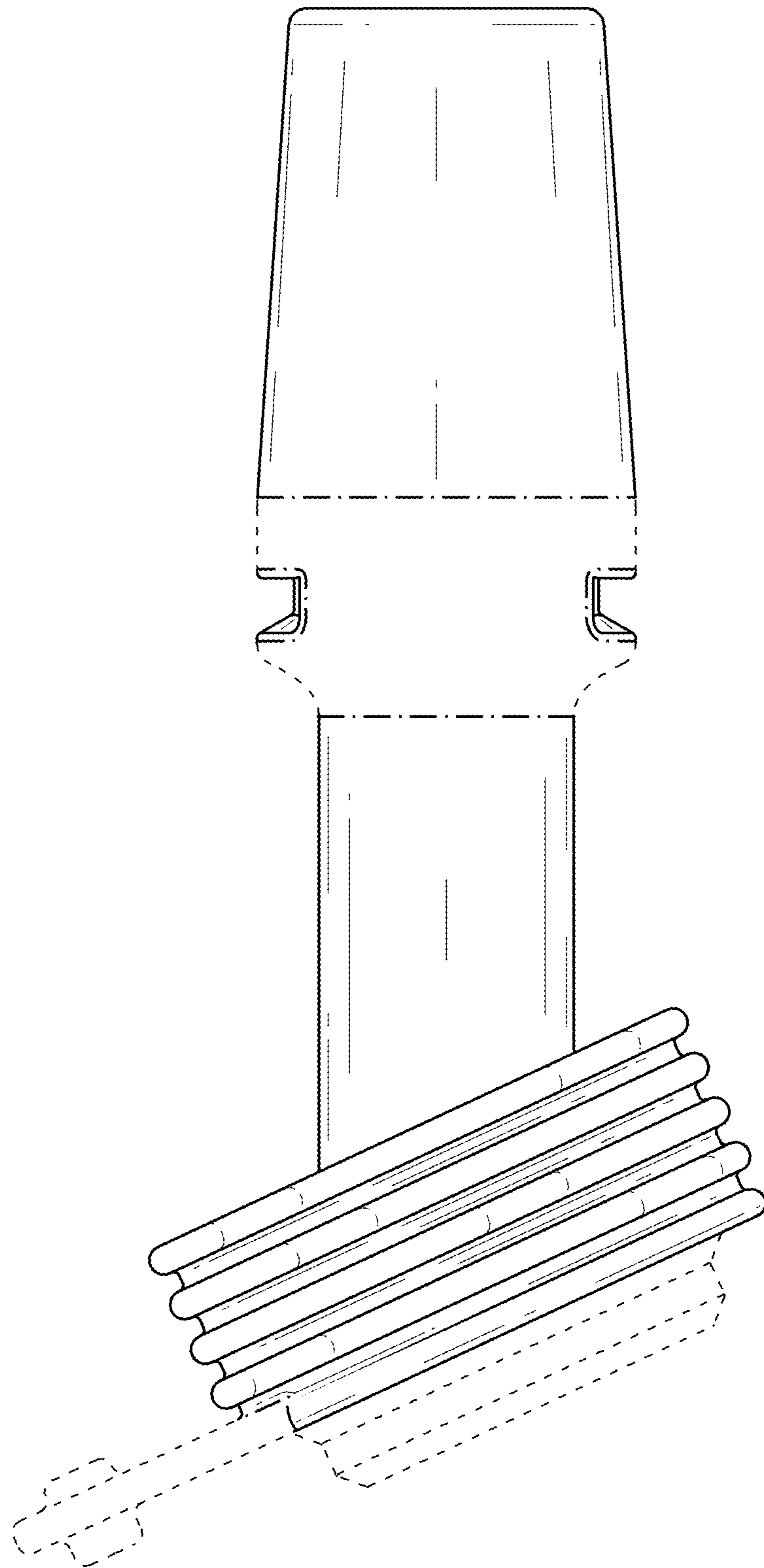


FIG. 15

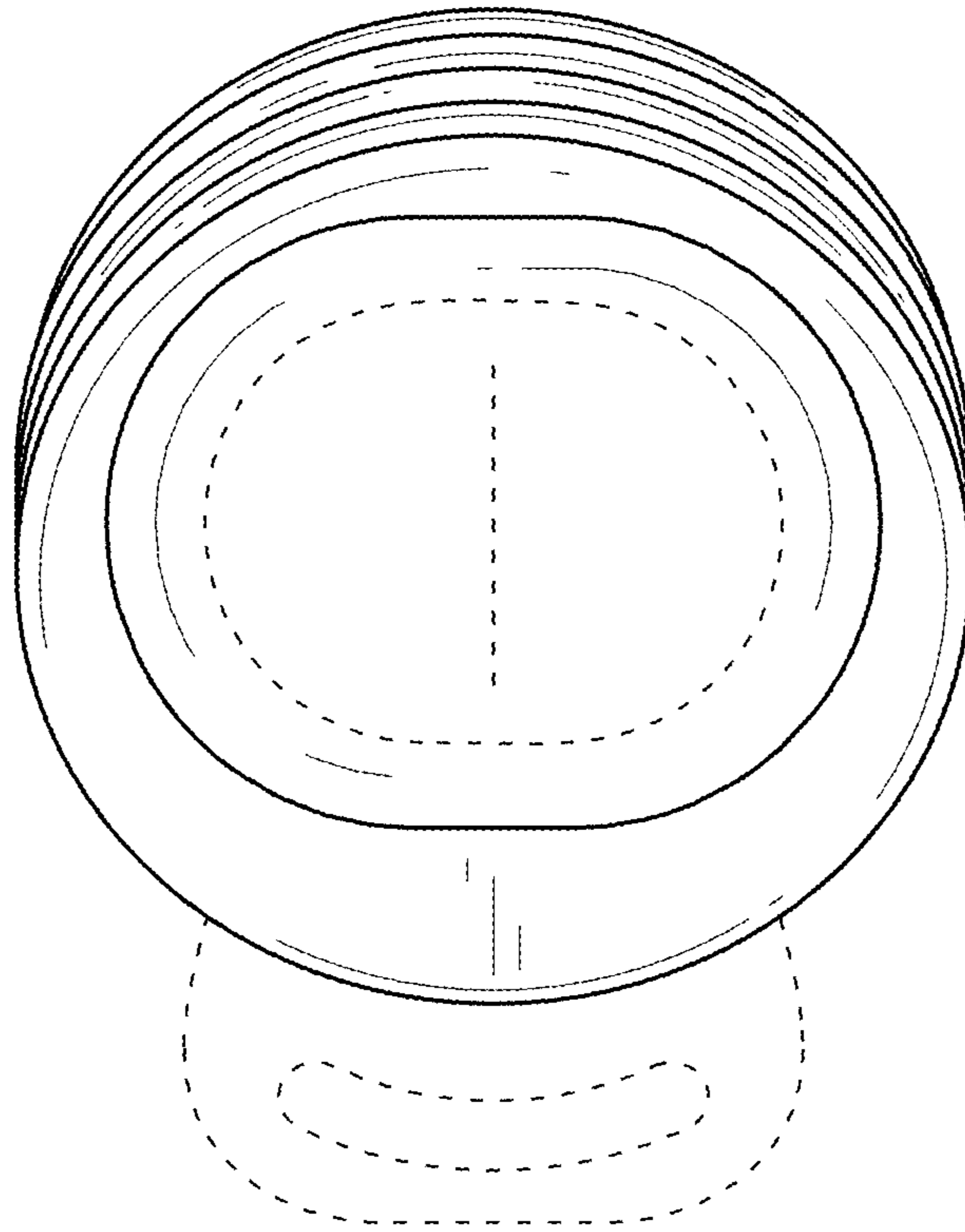


FIG. 16

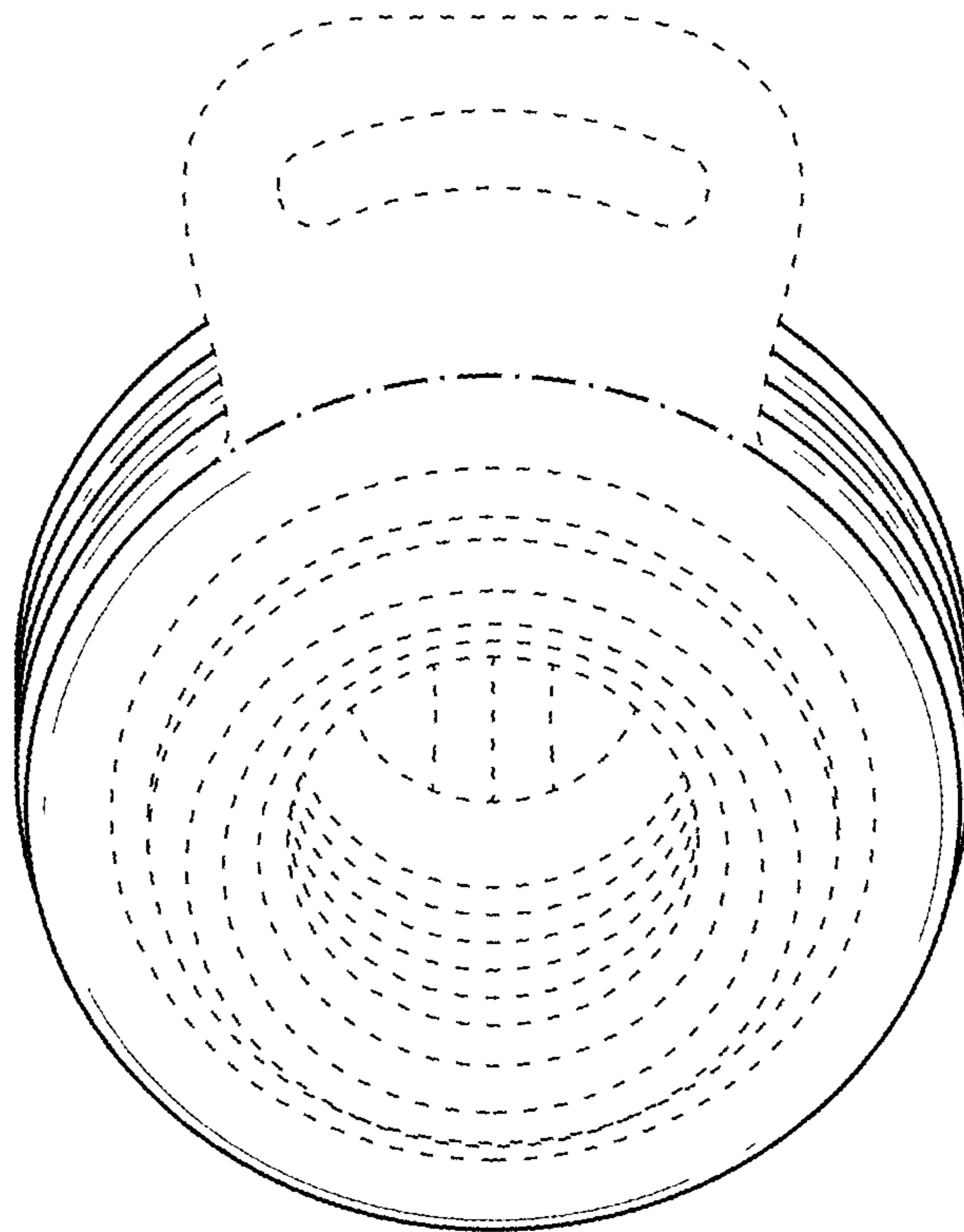


FIG. 17

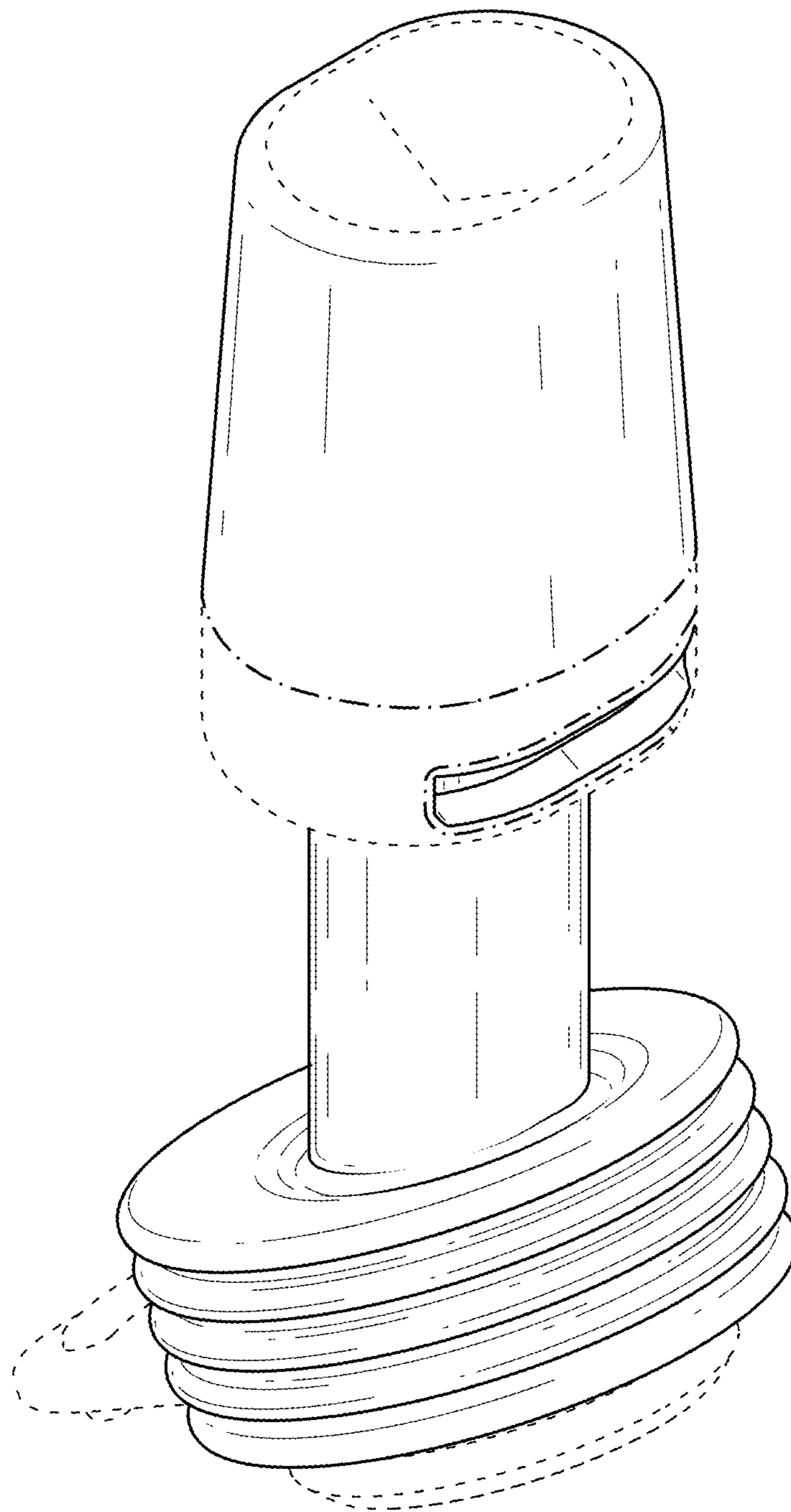


FIG. 18

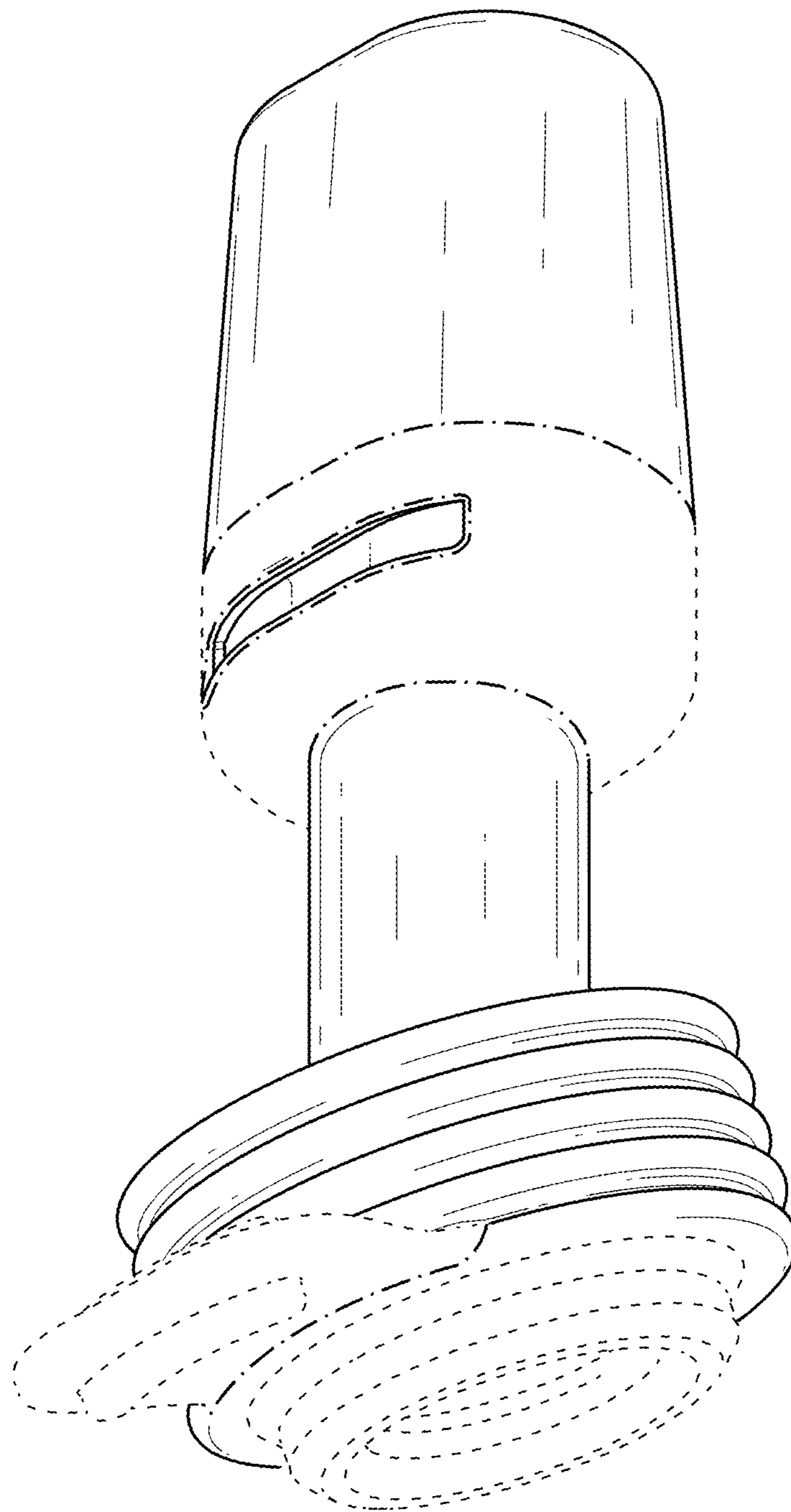


FIG. 19

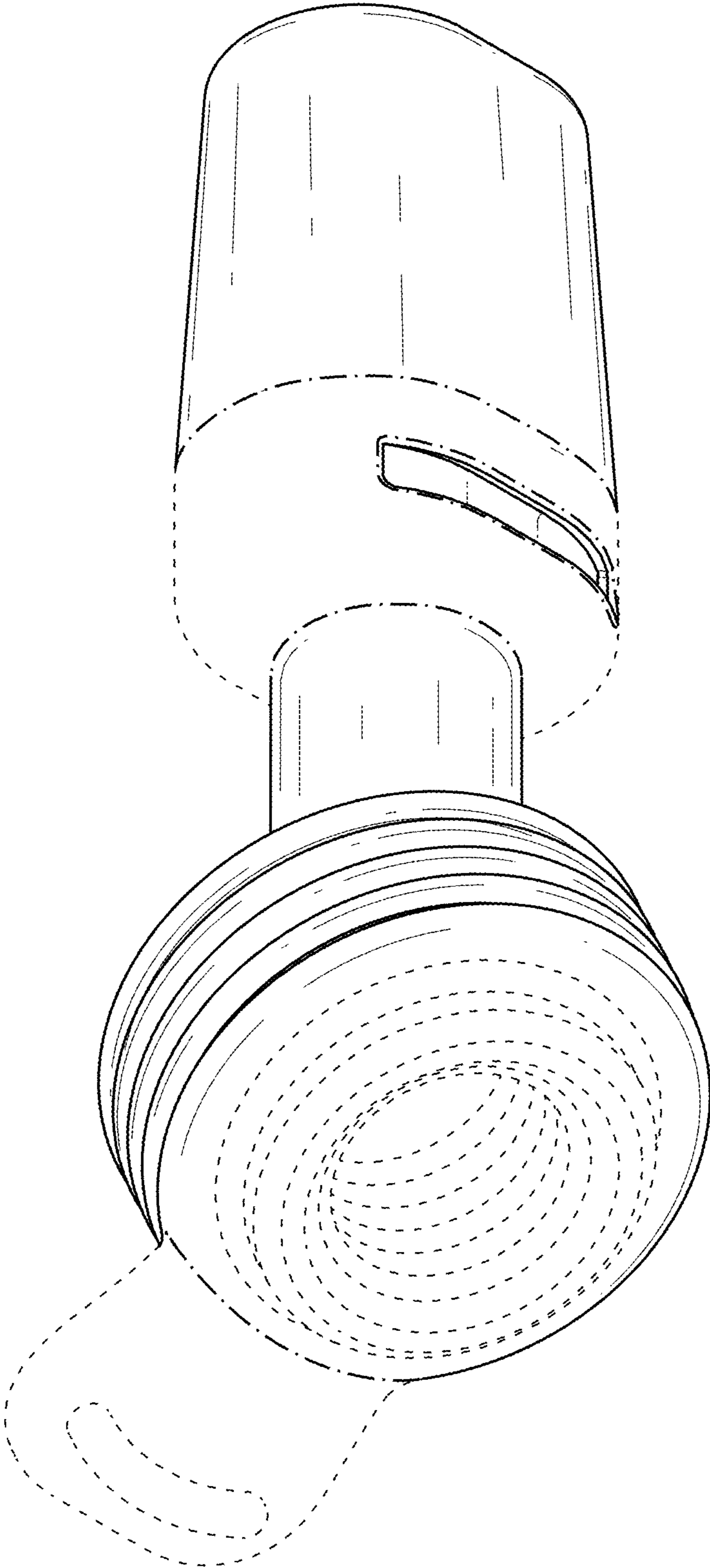


FIG. 20