



US00D955812S

(12) **United States Design Patent**
Ge

(10) **Patent No.:** **US D955,812 S**
(45) **Date of Patent:** **** Jun. 28, 2022**

(54) **WIDE MOUTH STRAW LID**
(71) Applicant: **Yongkang Pinda Industry and Trade Co., Ltd., Yongkang (CN)**
(72) Inventor: **Linghuan Ge, Tongcheng (CN)**
(**) Term: **15 Years**
(21) Appl. No.: **29/797,318**

D810,500 S * 2/2018 Maple D7/392.1
D810,506 S 2/2018 Erickson
D830,772 S * 10/2018 Rosette D7/510
(Continued)

FOREIGN PATENT DOCUMENTS

CN 303853042 * 9/2016
CN 306867408 * 10/2021
(Continued)

OTHER PUBLICATIONS

Amazon.com "XACIOA Straw Lid for Hydro Flask Wide Mouth Bottle" (online) first available Mar. 4, 2021. Ret from Int on Mar. 21, 2022, URL: https://www.amazon.com/XACIOA-Bottle-Flexible-Replacement-Hydroflask/dp/B08Z7NMNZJ/ref=sr_1_18?keywords=hydroflask%2Bstraw%2Blid%2Bwide%2Bmouth&qid=1647902193&sr=8-18&th=1 (8 pgs.).*

(Continued)

Primary Examiner — Wendy L Arminio
(74) *Attorney, Agent, or Firm* — Rumit Ranjit Kanakia

(57) **CLAIM**

I claim the ornamental design for a wide mouth straw lid, as shown and described.

DESCRIPTION

FIG. 1 is a perspective view of a wide mouth straw lid showing my new design;
FIG. 2 is a front view thereof;
FIG. 3 is a back view thereof;
FIG. 4 is a right-side view thereof;
FIG. 5 is a left-side view thereof;
FIG. 6 is a top view thereof;
FIG. 7 is a bottom view thereof; and,
FIG. 8 is a perspective view of the wide mouth straw lid of FIG. 1 shown in a closed position.
The broken lines depict portions of the wide mouth straw lid that form no part of the claimed design.

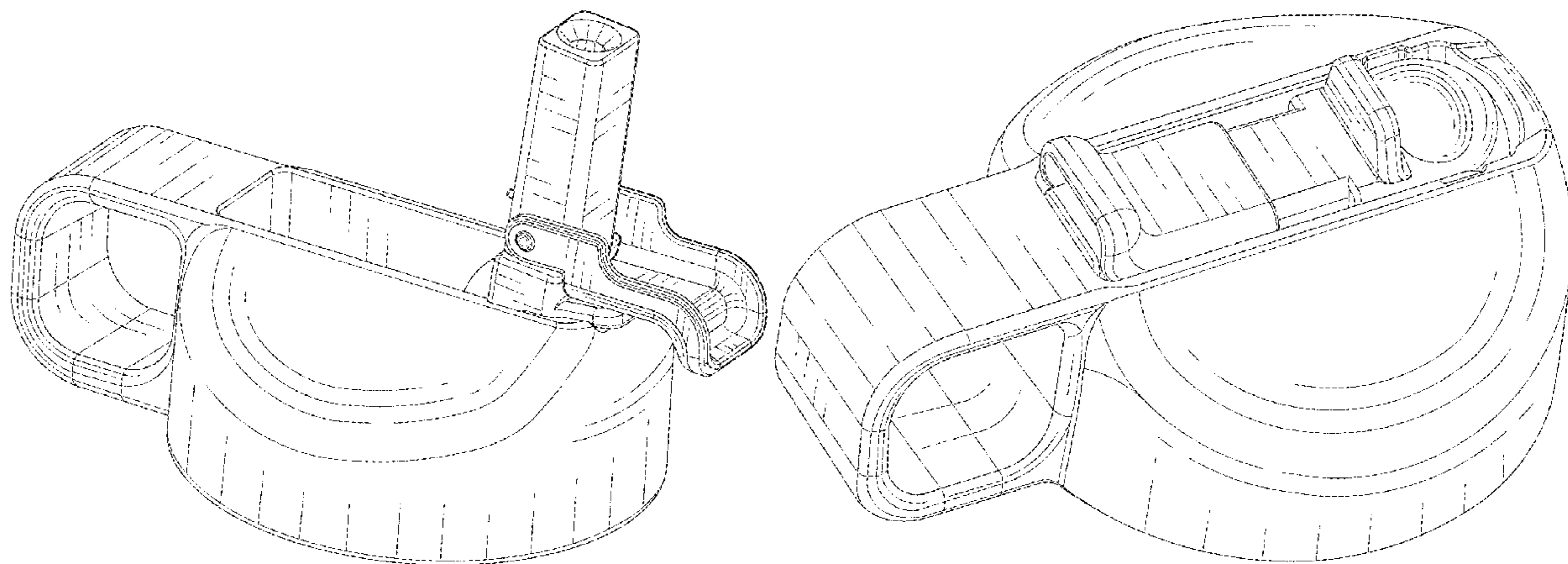
1 Claim, 8 Drawing Sheets

(22) Filed: **Jun. 30, 2021**
(51) **LOC (13) Cl.** **07-02**
(52) **U.S. Cl.**
USPC **D7/392.1**; D9/443; D9/450; D7/396.2
(58) **Field of Classification Search**
USPC D9/434-436, 439, 440, 442-445, 447, D9/449, 450, 454, 499, 503, 504, 516, D9/529; D7/387, 391, 392, 392.1, 396.1, D7/396.2, 397, 398, 510, 511, 900; D3/202
CPC .. A61J 1/00; A61J 1/1412; B65D 1/00; B65D 1/02; B65D 1/10; B65D 1/46; B65D 5/46; B65D 41/00; B65D 41/26; B65D 41/38; B65D 41/56; B65D 41/62; B65D 43/00; B65D 47/00; B65D 47/04; B65D 47/06; B65D 47/061; B65D 47/065; B65D 47/08; B65D 47/12; B65D 47/122; B65D 47/40; B65D 2251/00; B65D 2543/00046; B65D 2543/00092; B65D 2543/00296
See application file for complete search history.

(56) **References Cited**

U.S. PATENT DOCUMENTS

D649,879 S * 12/2011 Gullickson D9/443
D685,606 S 7/2013 Keys
D704,986 S 5/2014 Manies
D732,892 S * 6/2015 Keys D7/510
D750,428 S 3/2016 Keys
D781,654 S * 3/2017 Marquard A45F 3/16
D799,320 S * 10/2017 Goodwin D9/449



(56)

References Cited

U.S. PATENT DOCUMENTS

D835,938 S * 12/2018 Zou D7/396.2
 D844,376 S * 4/2019 Rosette D7/392
 D871,144 S * 12/2019 Zhang D7/511
 D886,518 S * 6/2020 Li D7/392.1
 D887,775 S * 6/2020 Bo D7/392.1
 D896,574 S * 9/2020 Wang D9/450
 D908,423 S 1/2021 Xia et al.
 D911,770 S 3/2021 Ludolph
 10,988,389 B1 * 4/2021 Guduru B65D 47/32
 D922,135 S * 6/2021 Chen D7/392.1
 D924,624 S * 7/2021 Huang D9/449
 D929,802 S * 9/2021 Han D7/392.1
 D937,038 S * 11/2021 Sletten D9/443
 D939,888 S * 1/2022 Wang D7/396.2
 D943,342 S * 2/2022 Hao D7/392.1
 D945,214 S * 3/2022 Zhou D7/392.1

FOREIGN PATENT DOCUMENTS

EM 008596993-0001 * 7/2021
 GB 6145861 * 6/2021

OTHER PUBLICATIONS

Amazon.com “QIMUKKX Straw Lid for Hydro Flask Wide Mouth Water Bottle” (online) first available Nov. 6, 2021. Retrieved from Internet on Mar. 21, 2022, URL: https://www.amazon.com/QIMUKKX-Bottle-Replacement-Hydroflask-Accessories/dp/B09L63YVKY?ref_ast_sto_dp&th=1 (5 pgs.).*

* cited by examiner

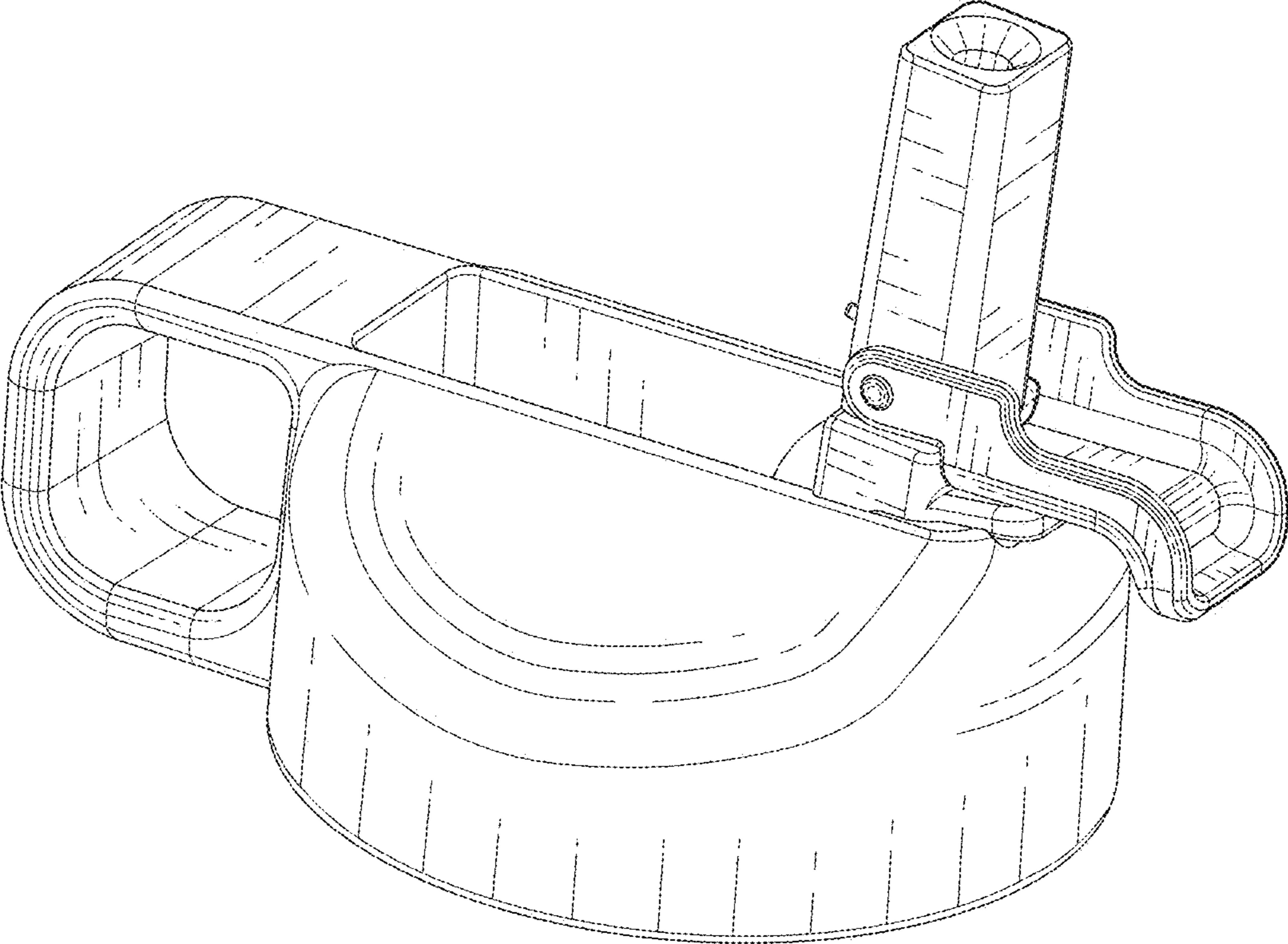


FIG. 1

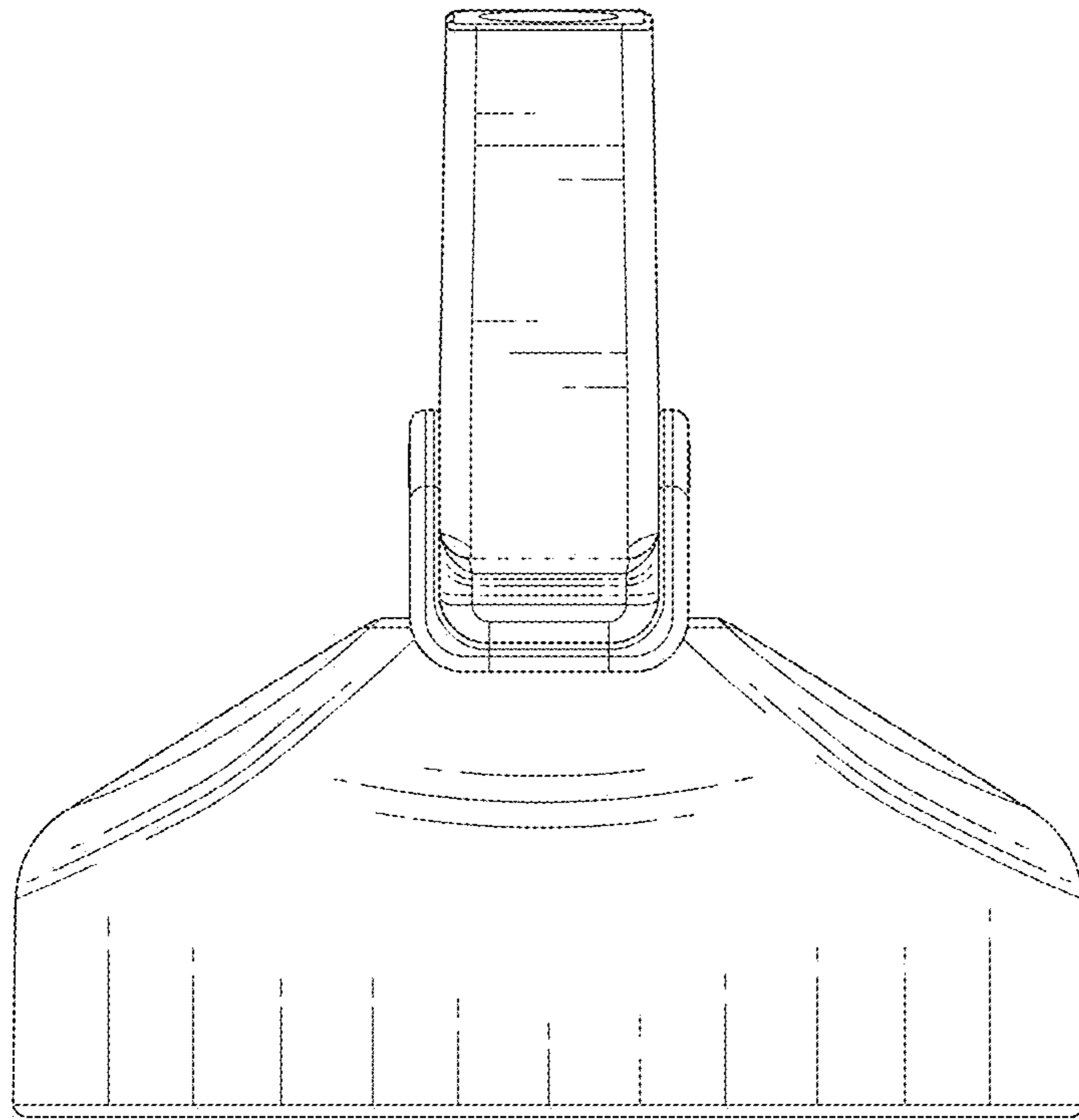


FIG. 2

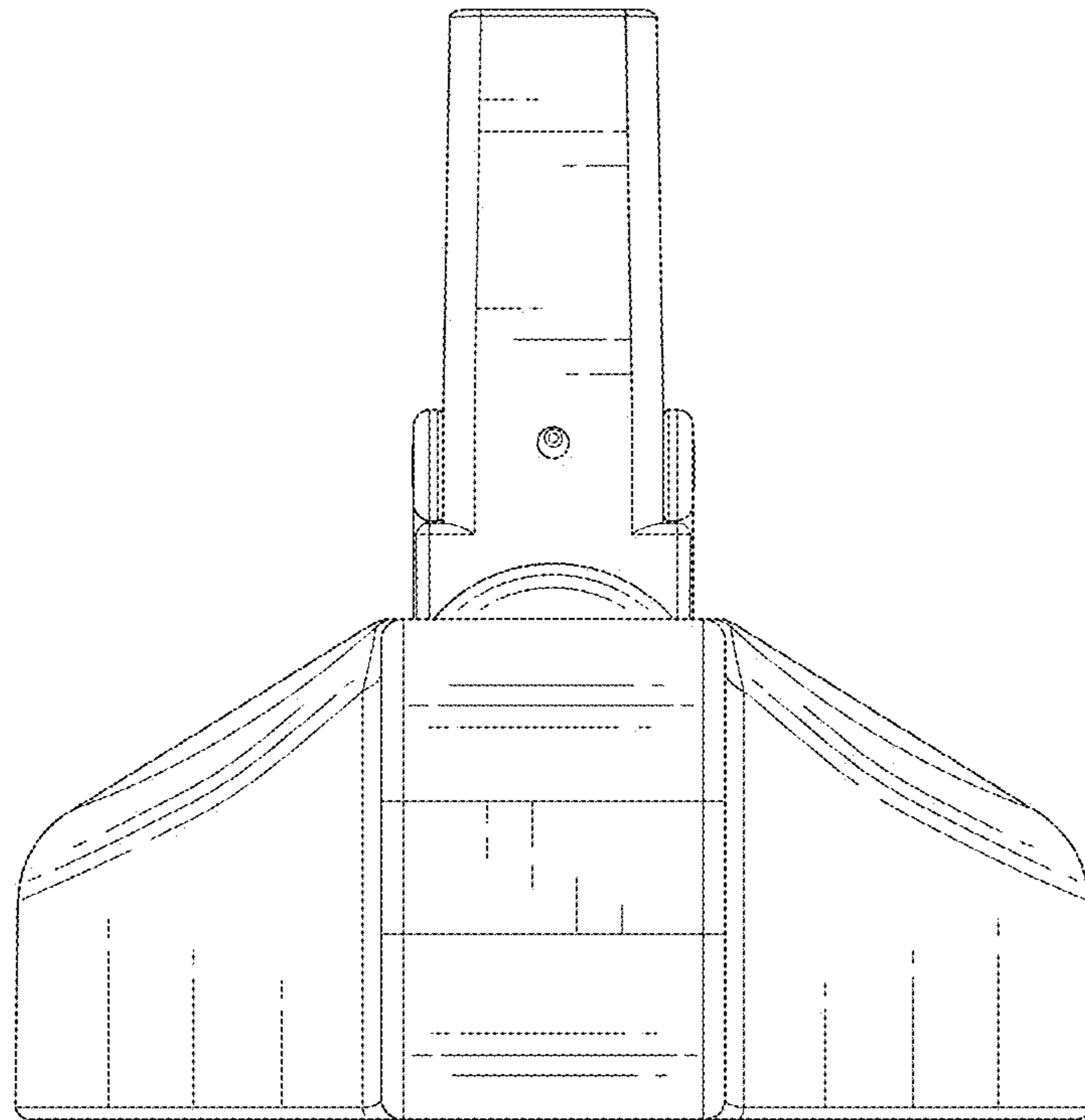


FIG. 3

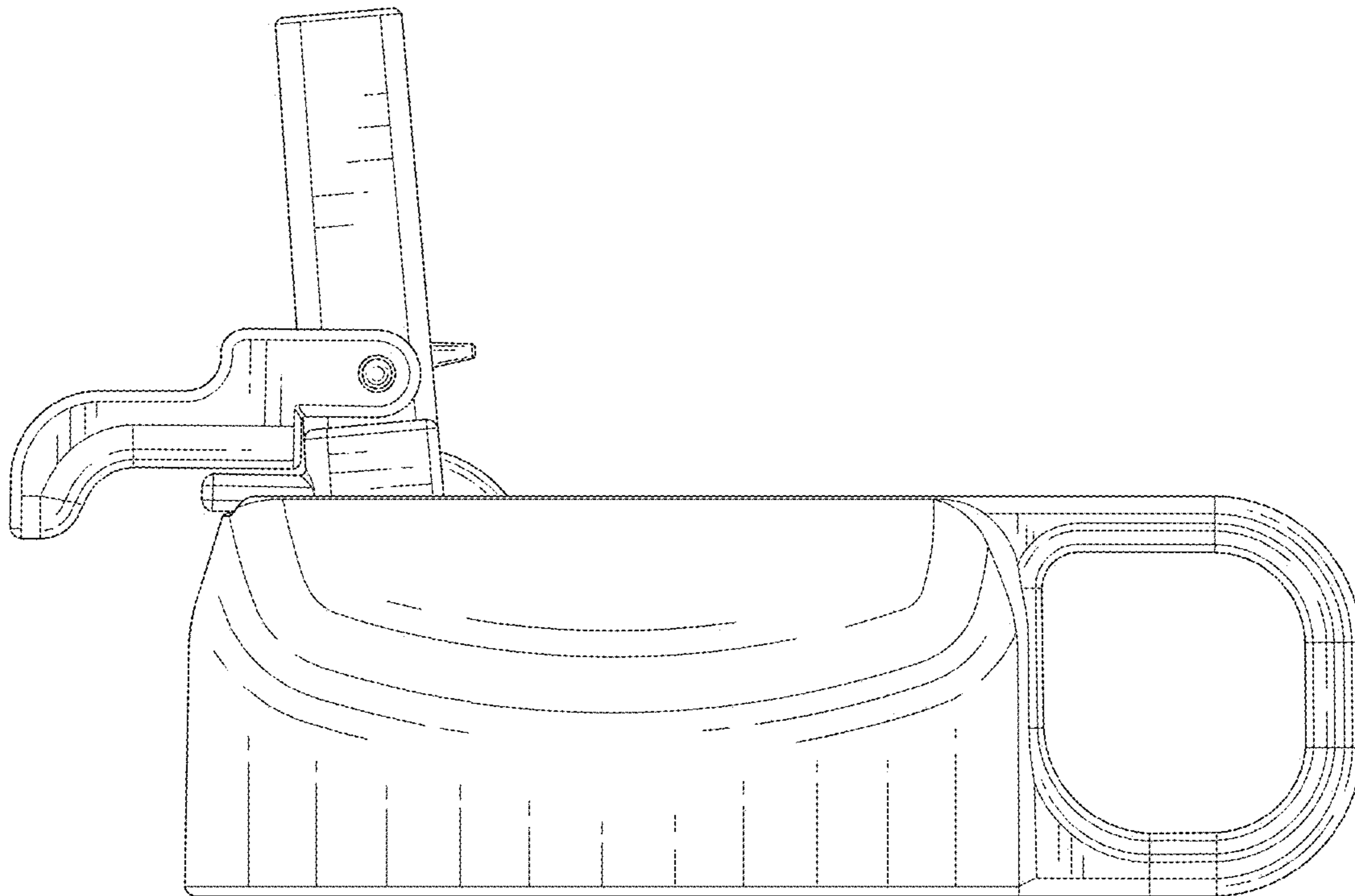


FIG. 4

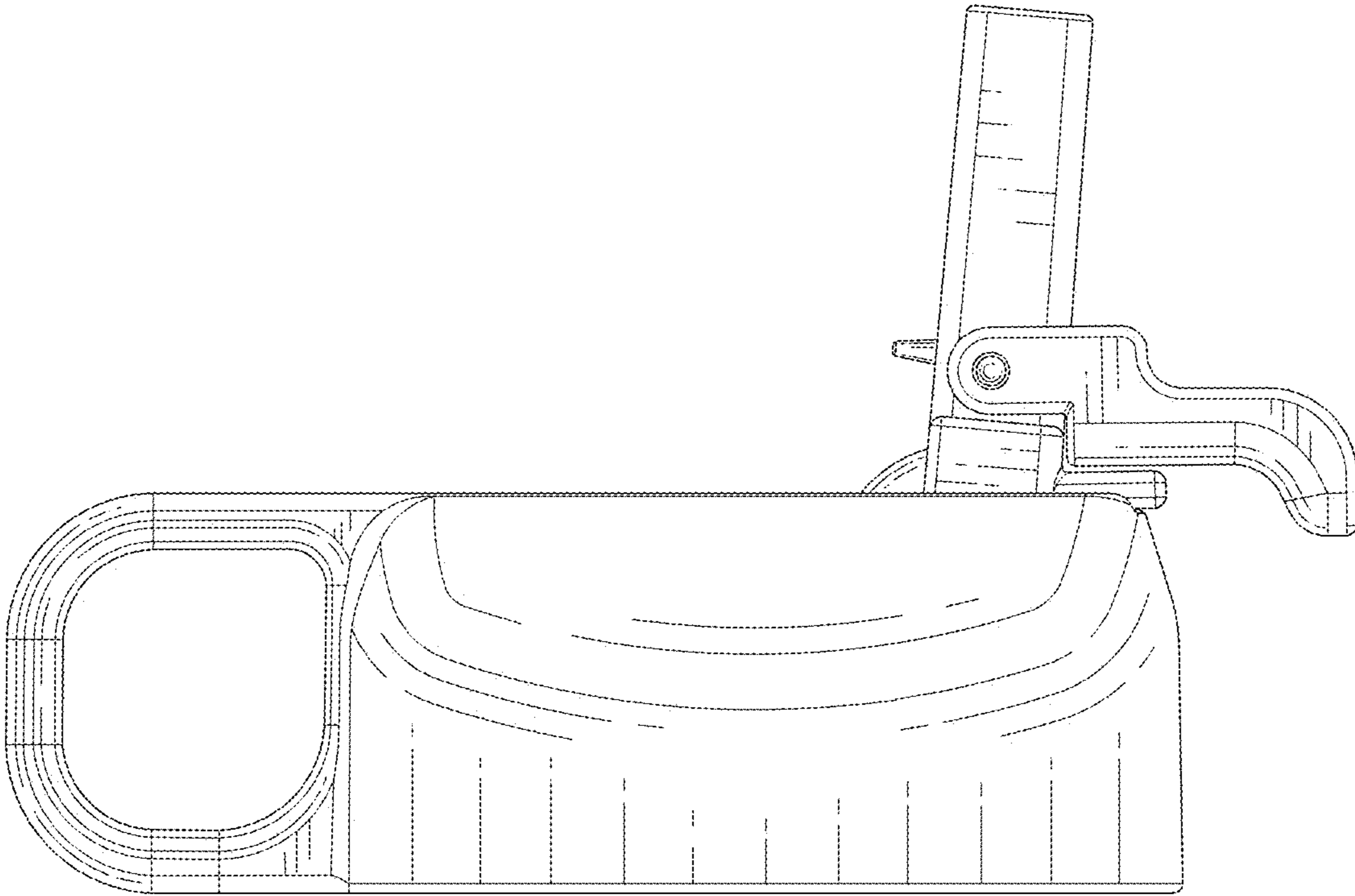


FIG. 5

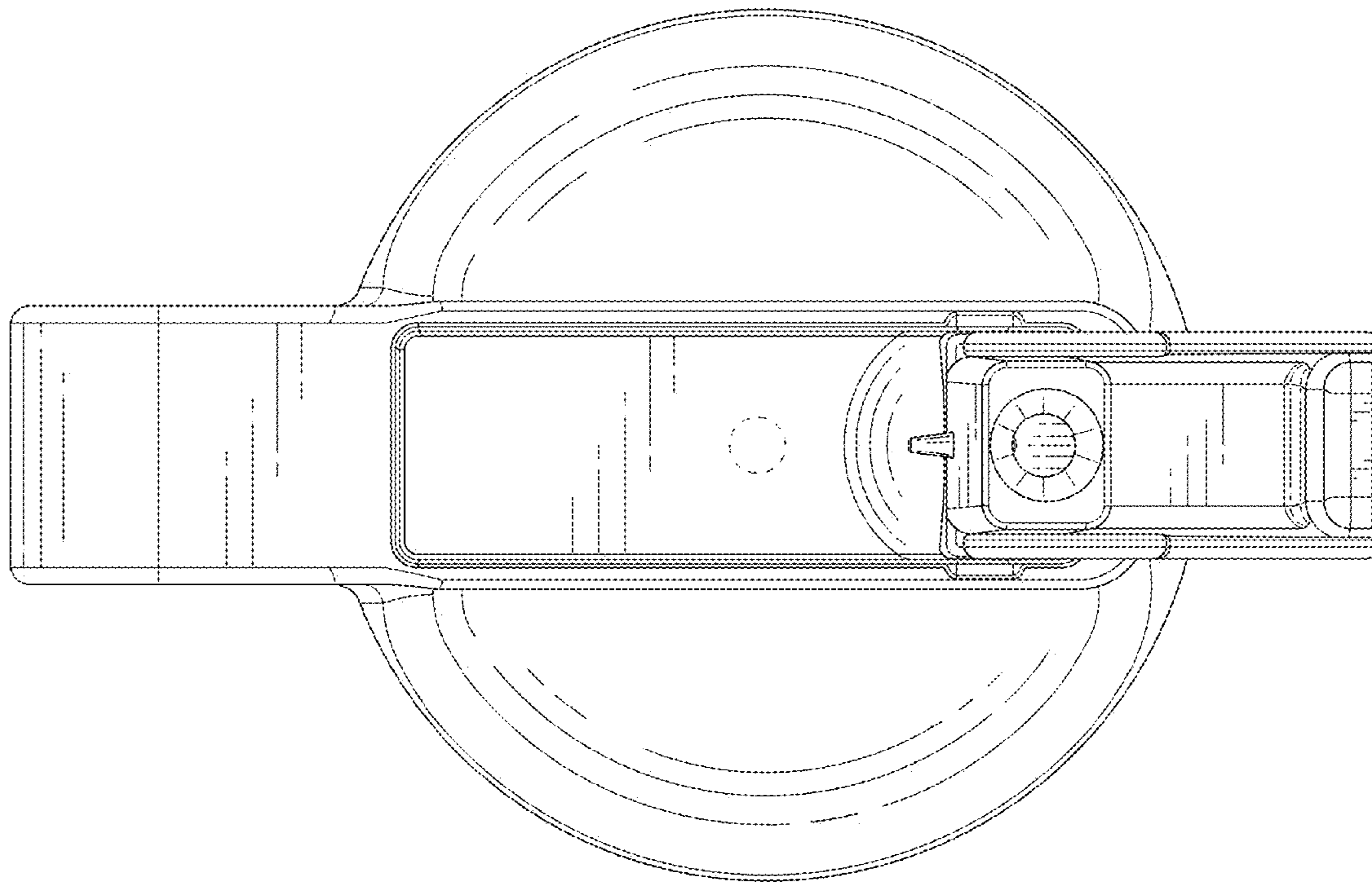


FIG. 6

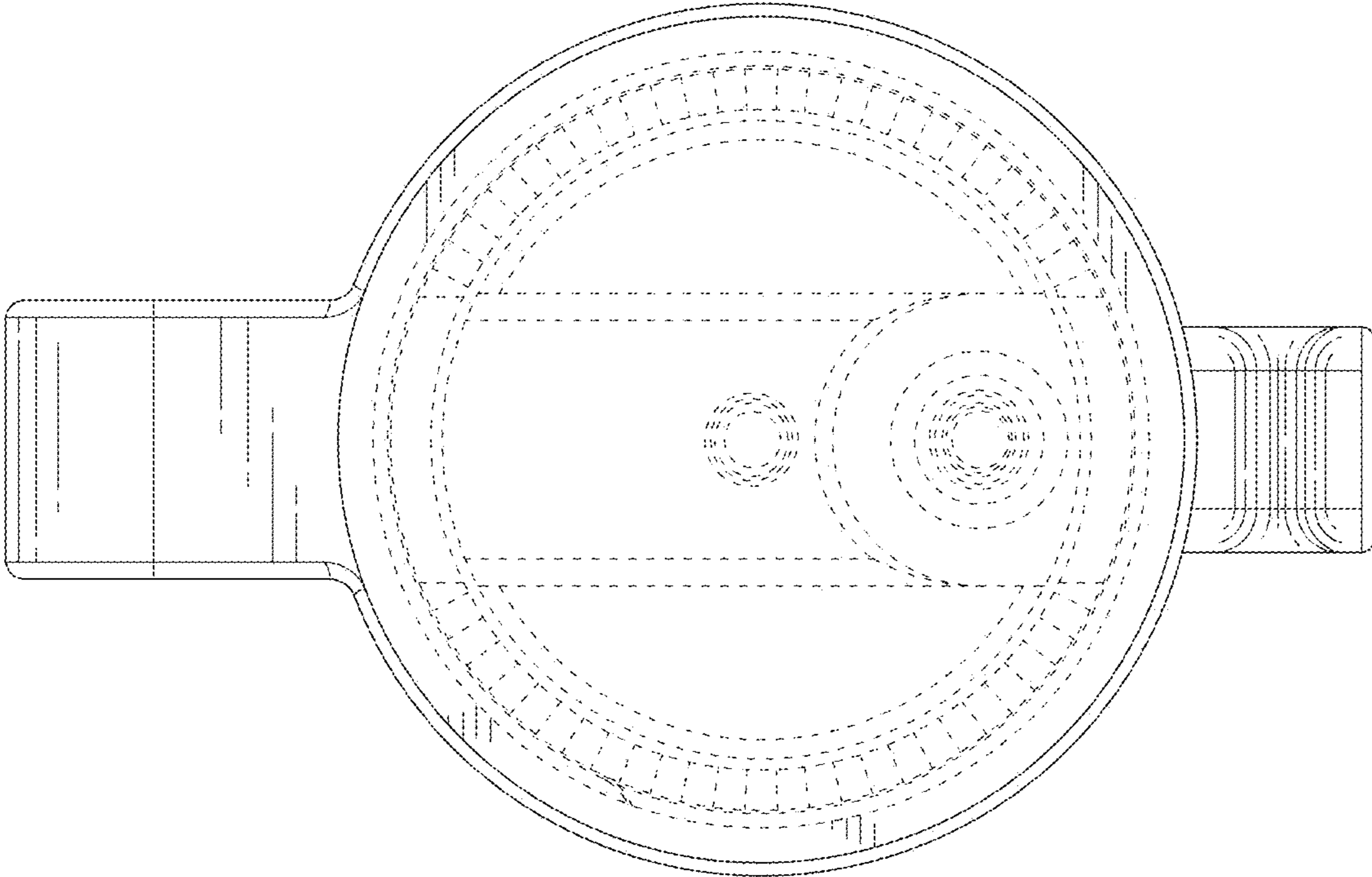


FIG. 7

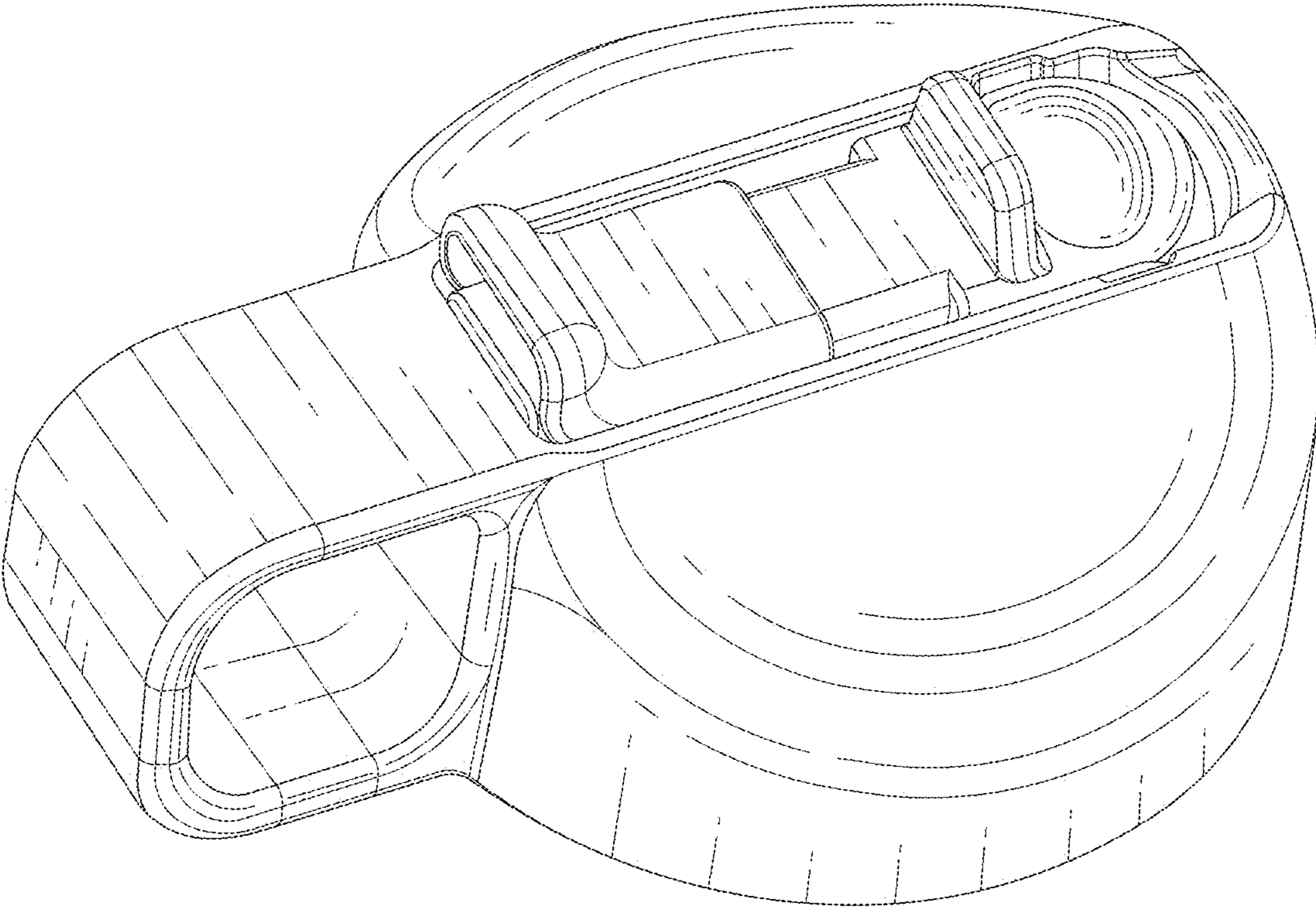


FIG. 8