



US00D955811S

(12) **United States Design Patent**
Zhou

(10) **Patent No.:** **US D955,811 S**
(45) **Date of Patent:** **** Jun. 28, 2022**

(54) **LID**

(71) Applicant: **UZ TECHNOLOGY (SHENZHEN) COMPANY LIMITED**, Shenzhen (CN)

(72) Inventor: **Han Zhou**, Shenzhen (CN)

(73) Assignee: **UZ TECHNOLOGY (SHENZHEN) COMPANY LIMITED**, Shenzhen (CN)

(**) Term: **15 Years**

(21) Appl. No.: **29/756,366**

(22) Filed: **Oct. 28, 2020**

(51) **LOC (13) Cl.** **07-99**

(52) **U.S. Cl.**
USPC **D7/392.1**

(58) **Field of Classification Search**
USPC D7/392, 392.1, 413, 509, 510, 534;
D9/435, 447, 449
CPC A47G 19/2272; A47G 19/22; B65D 43/02;
B65D 47/08
See application file for complete search history.

(56) **References Cited**

U.S. PATENT DOCUMENTS

D603,704 S * 11/2009 Jost D9/449
D675,060 S * 1/2013 Lane D9/449

D677,981 S * 3/2013 Levin D7/392
D745,827 S * 12/2015 Sorensen D9/450
D889,260 S * 7/2020 Hiltser D9/449
D896,024 S * 9/2020 Wang D9/449
D913,035 S * 3/2021 McCabe D7/392.1
D921,422 S * 6/2021 McCabe D9/449
D927,924 S * 8/2021 Lane D7/608
D939,271 S * 12/2021 Chen D7/392.1
D941,086 S * 1/2022 Zhou D7/392.1
2021/0039846 A1 * 2/2021 Jenkins B65D 47/0871

* cited by examiner

Primary Examiner — S. Bryan Reinholdt, Jr.

(57) **CLAIM**

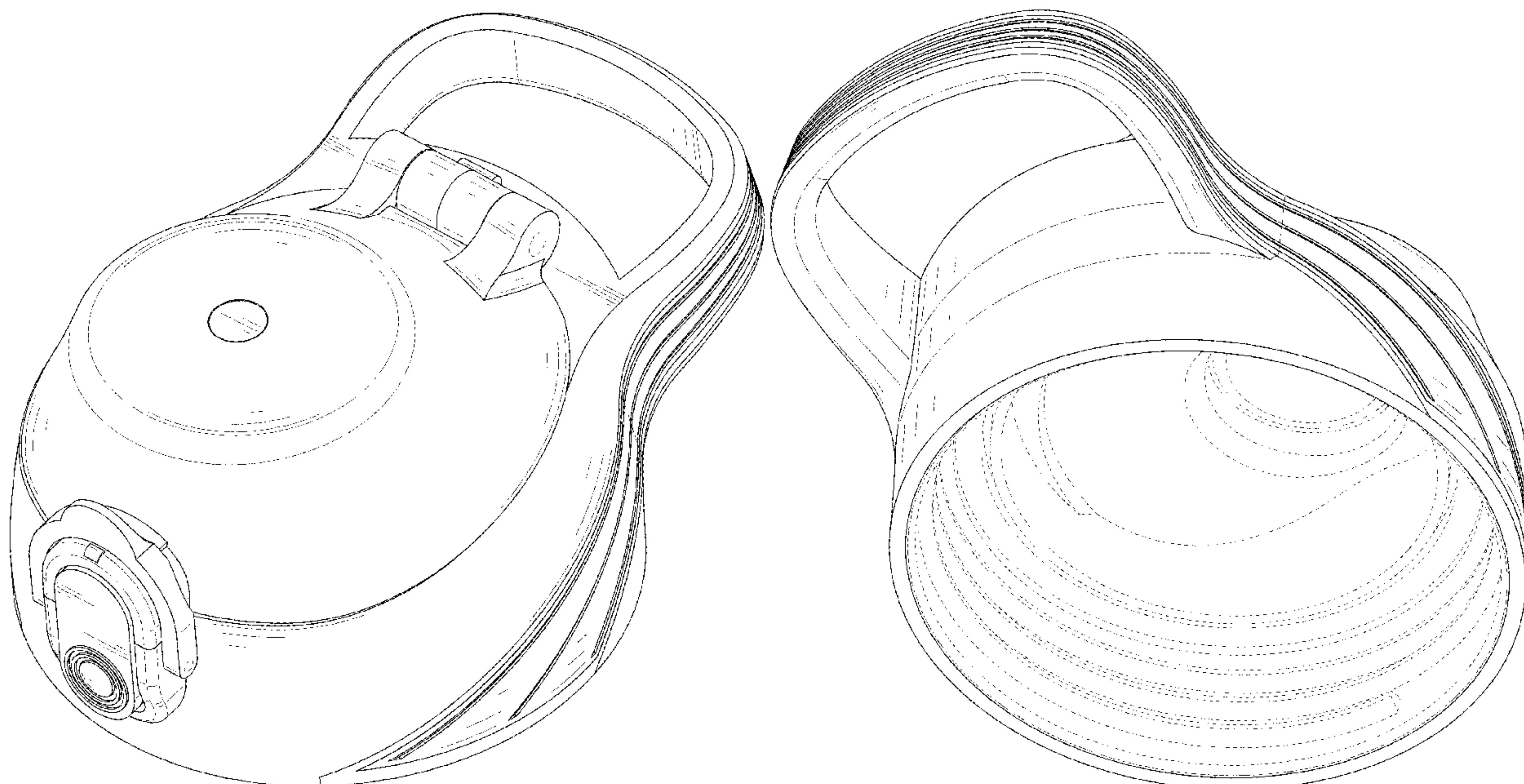
The ornamental design for a lid, as shown and described.

DESCRIPTION

FIG. 1 is a perspective view of a lid showing my new design; FIG. 2 is another perspective view thereof; FIG. 3 is a front elevational view thereof; FIG. 4 is a rear elevational view thereof; FIG. 5 is a left side elevational view thereof; FIG. 6 is a right side elevational view thereof; FIG. 7 is a top plan view thereof; FIG. 8 is a bottom plan view thereof; and, FIG. 9 is a perspective view of the lid where the lid is in a configuration of use.

The broken lines in the drawings depict portions of the lid that form no part of the claimed design. The dot-dash-dot broken lines in FIGS. 2 and 8 depict the boundaries of the claim and form no part thereof.

1 Claim, 9 Drawing Sheets



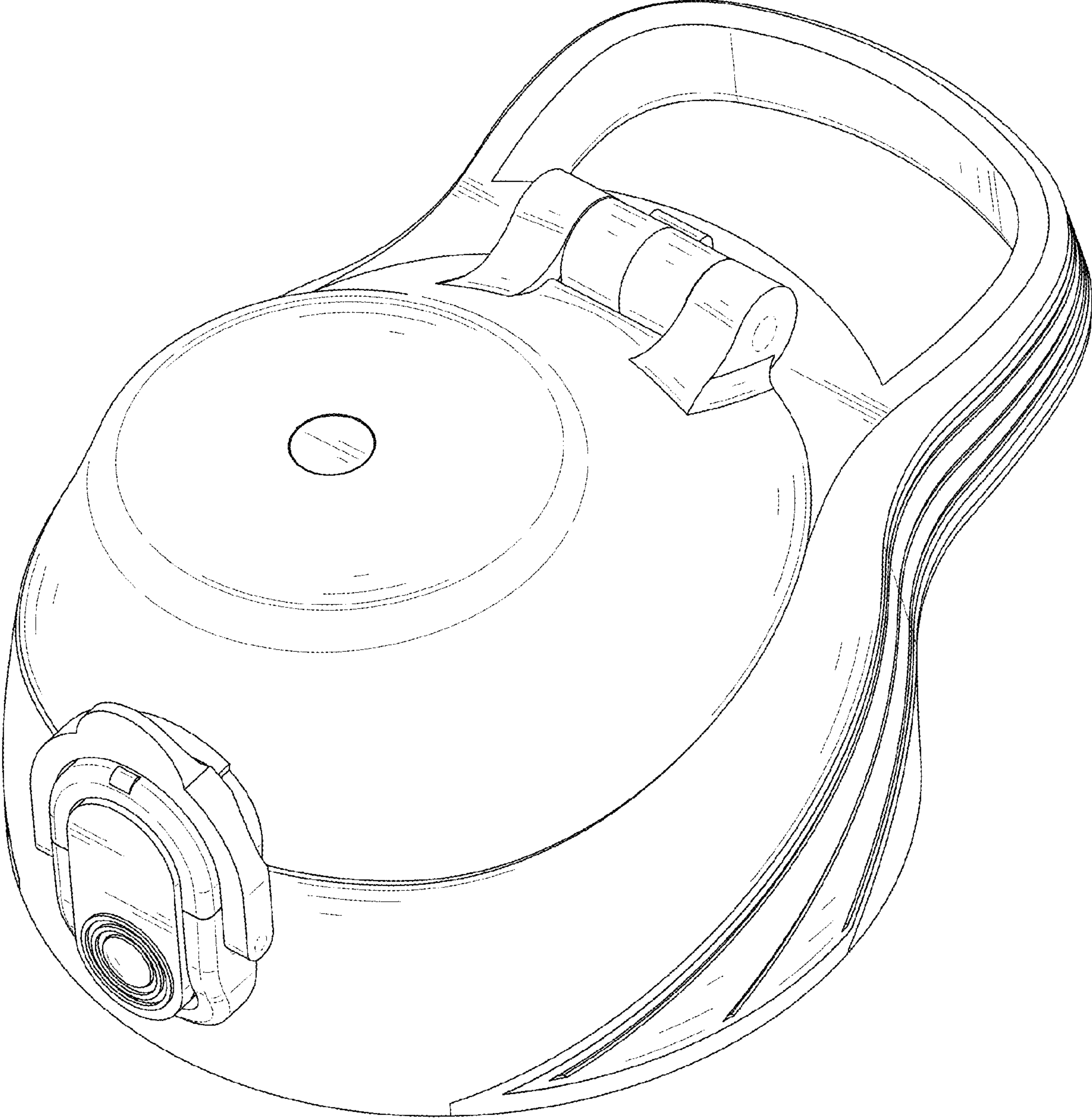


FIG. 1

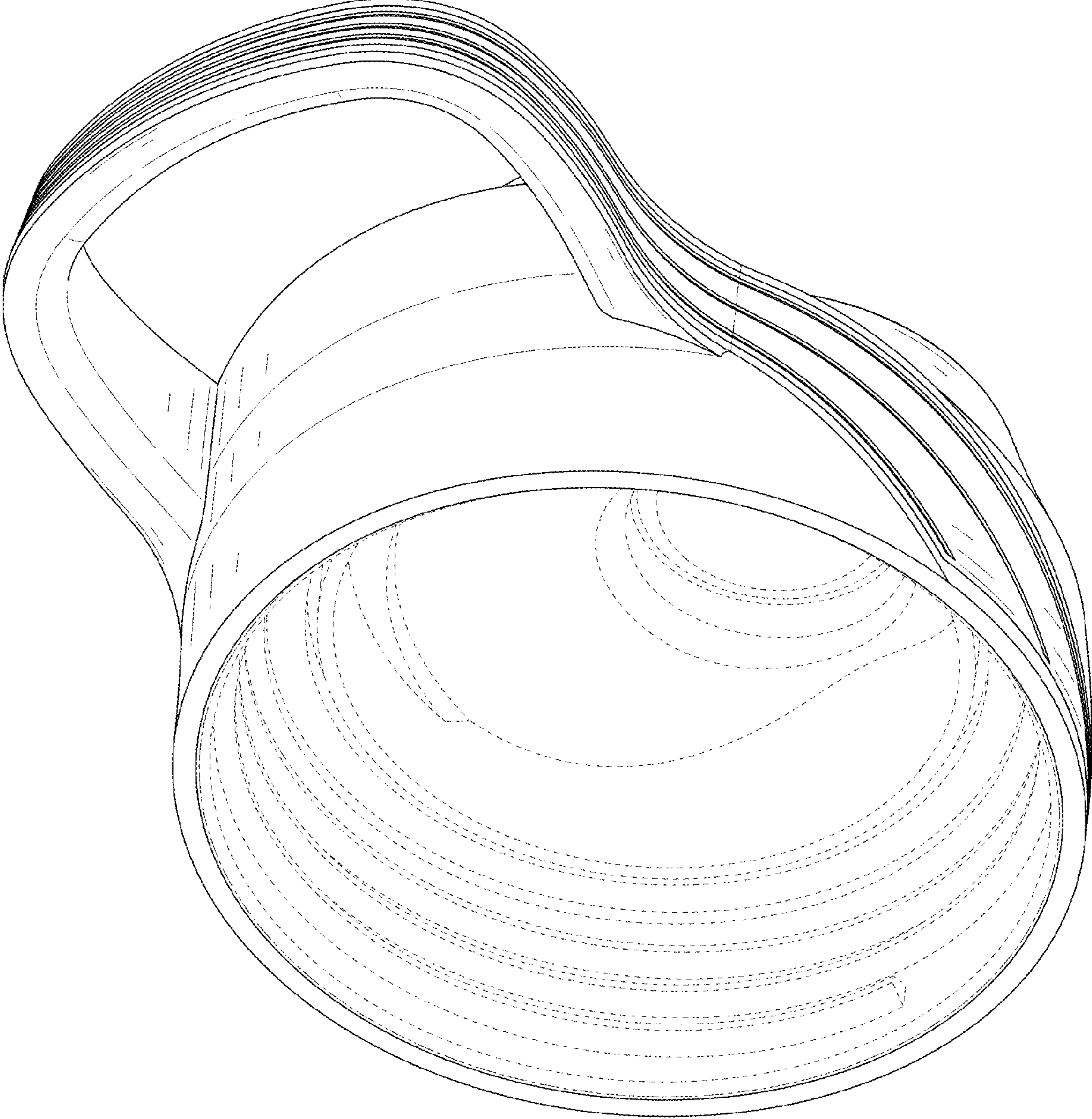


FIG. 2

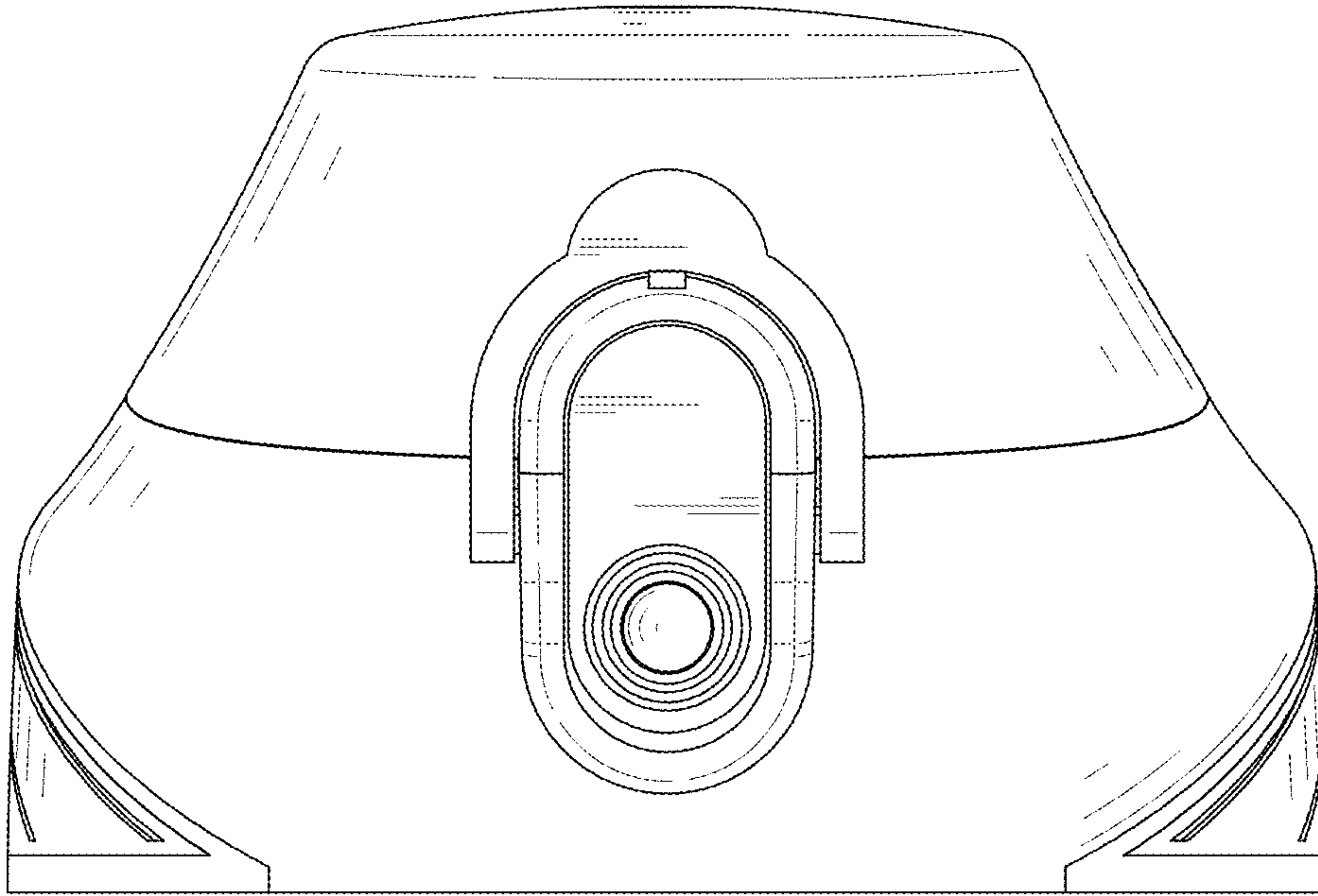


FIG. 3

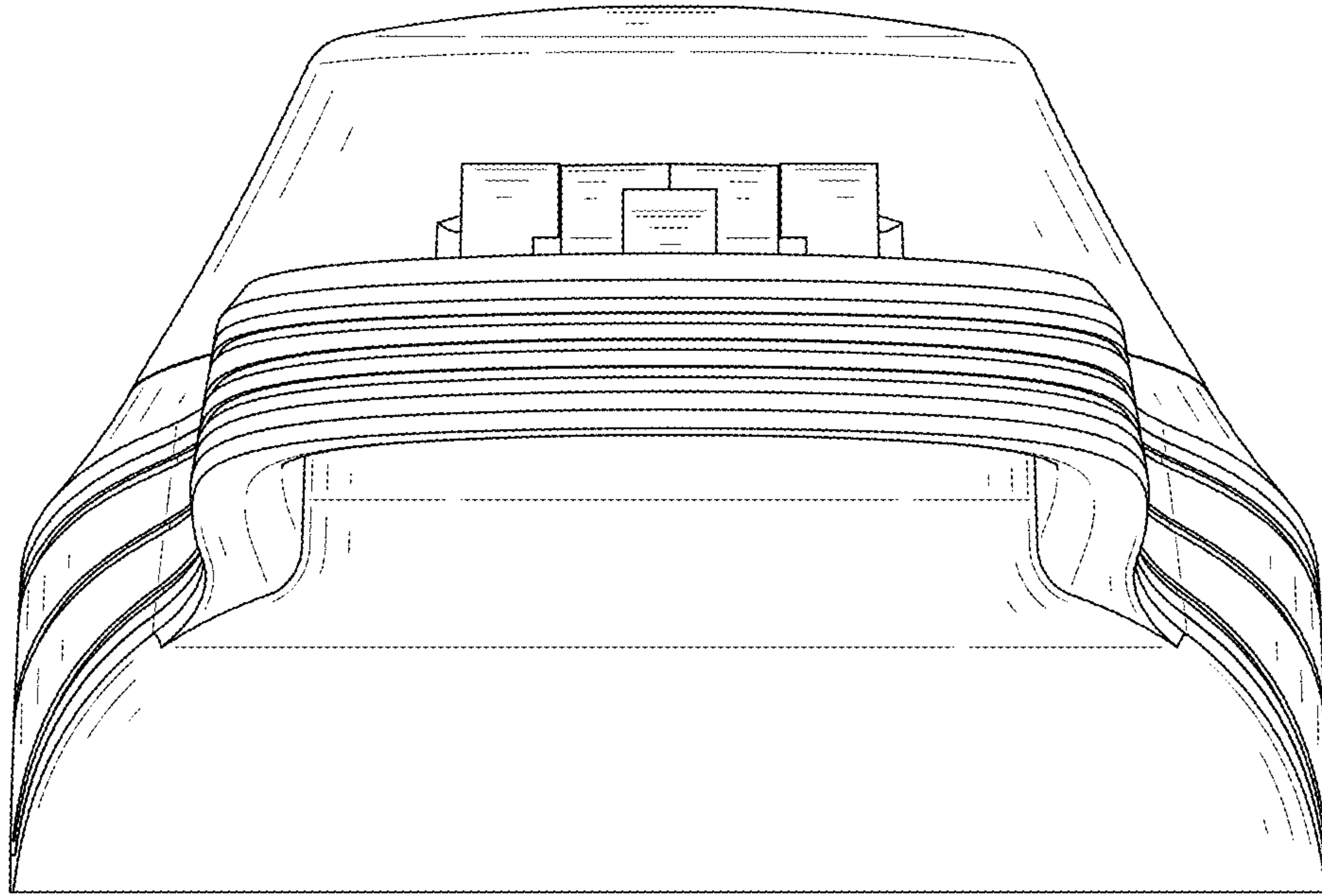


FIG. 4

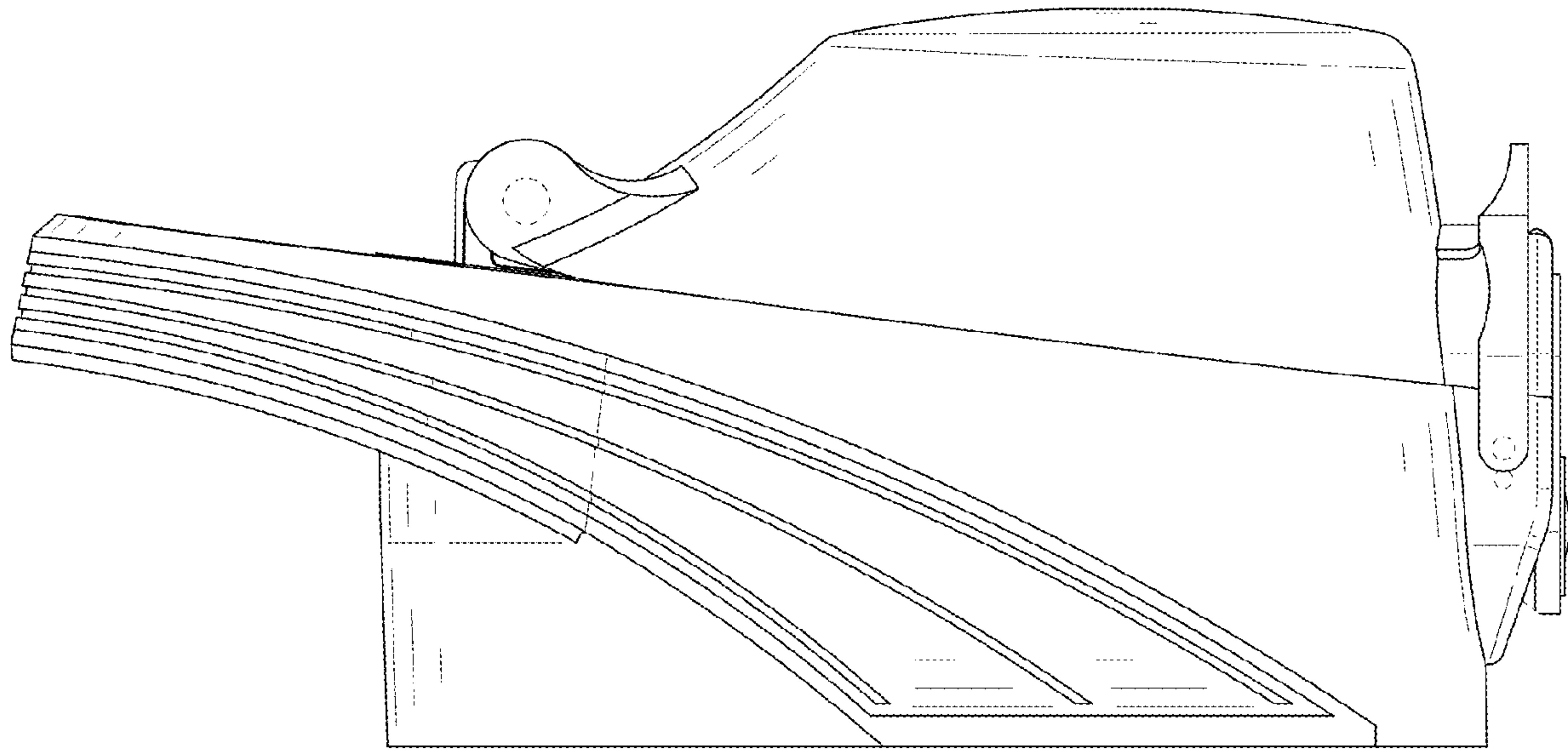


FIG. 5

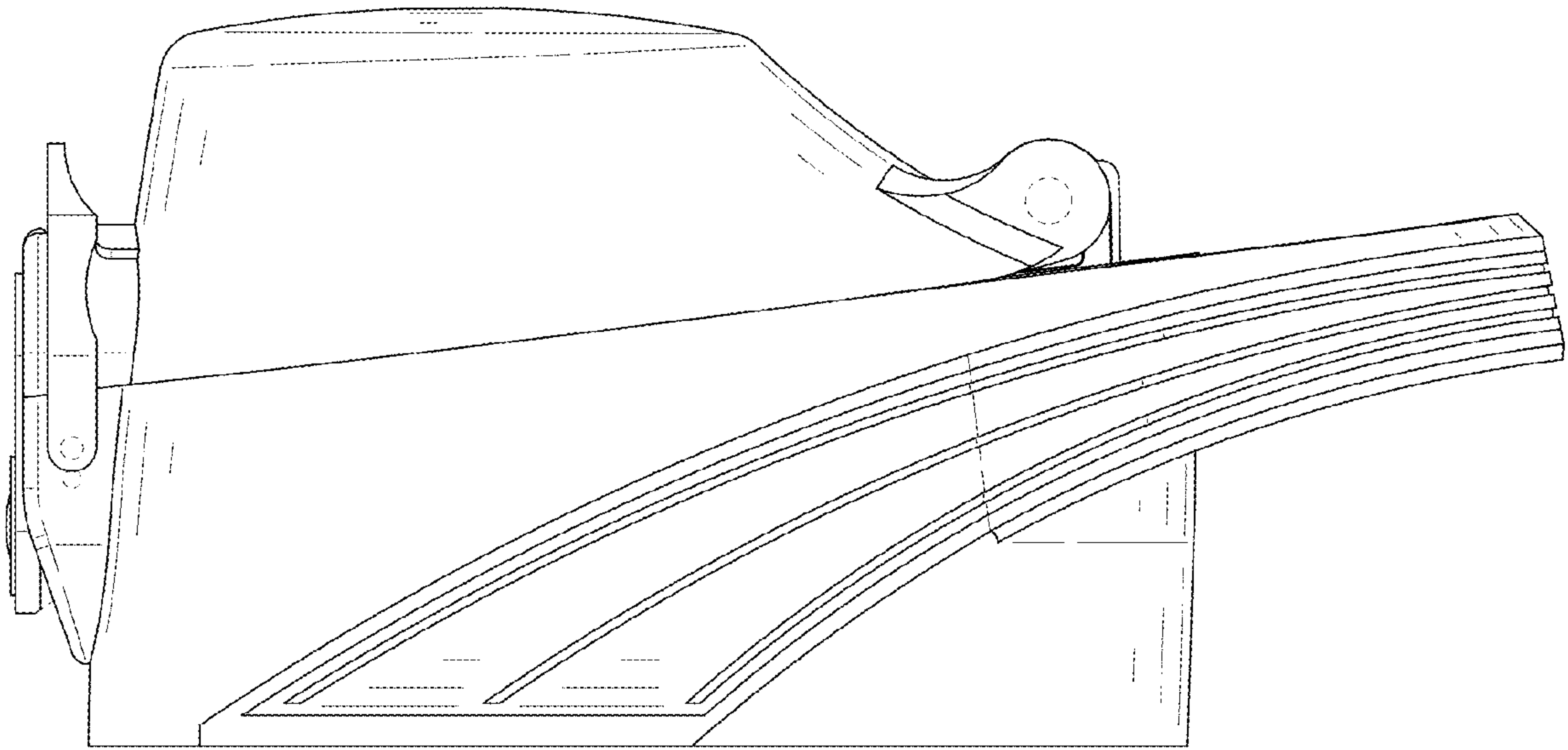


FIG. 6

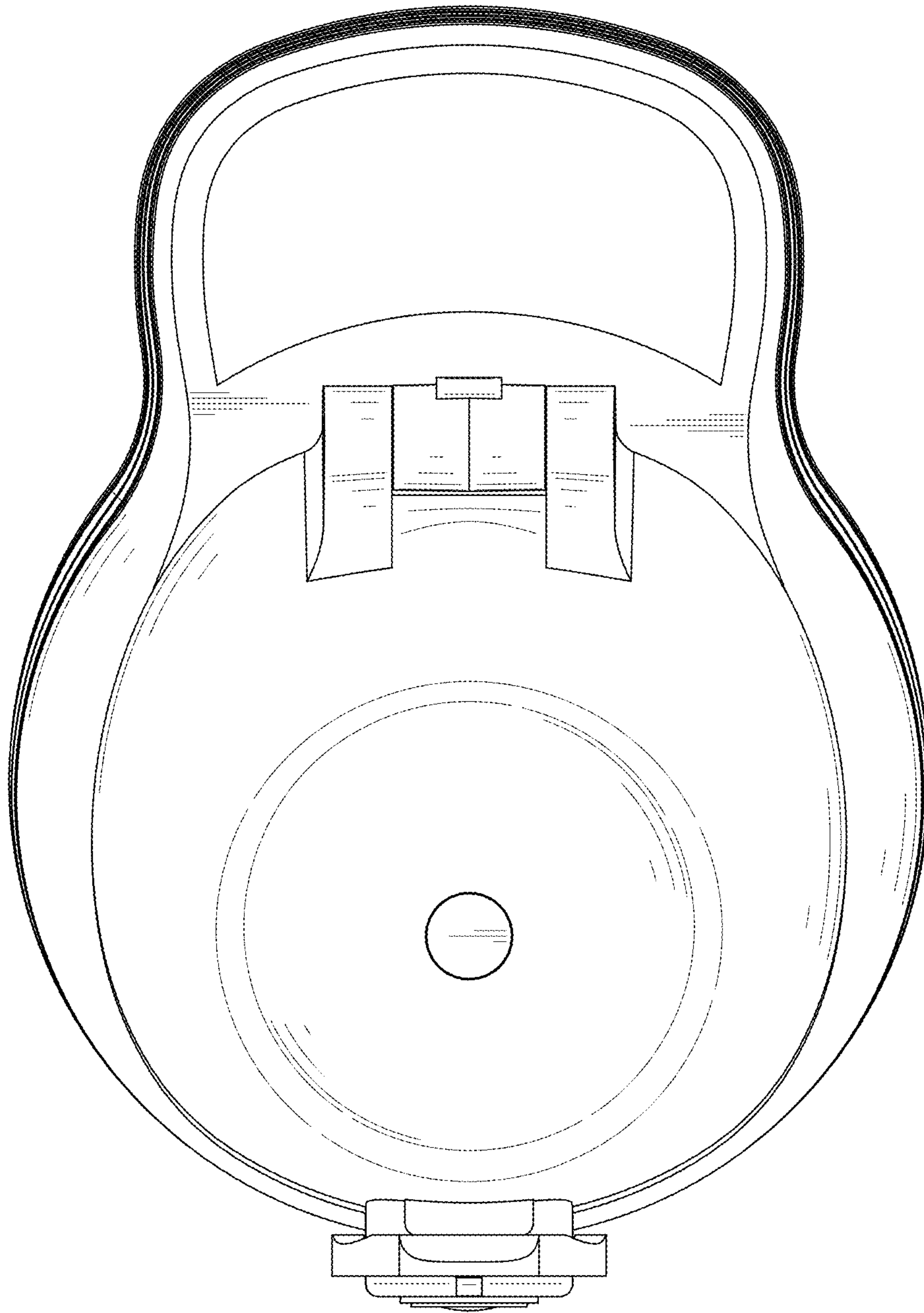


FIG. 7

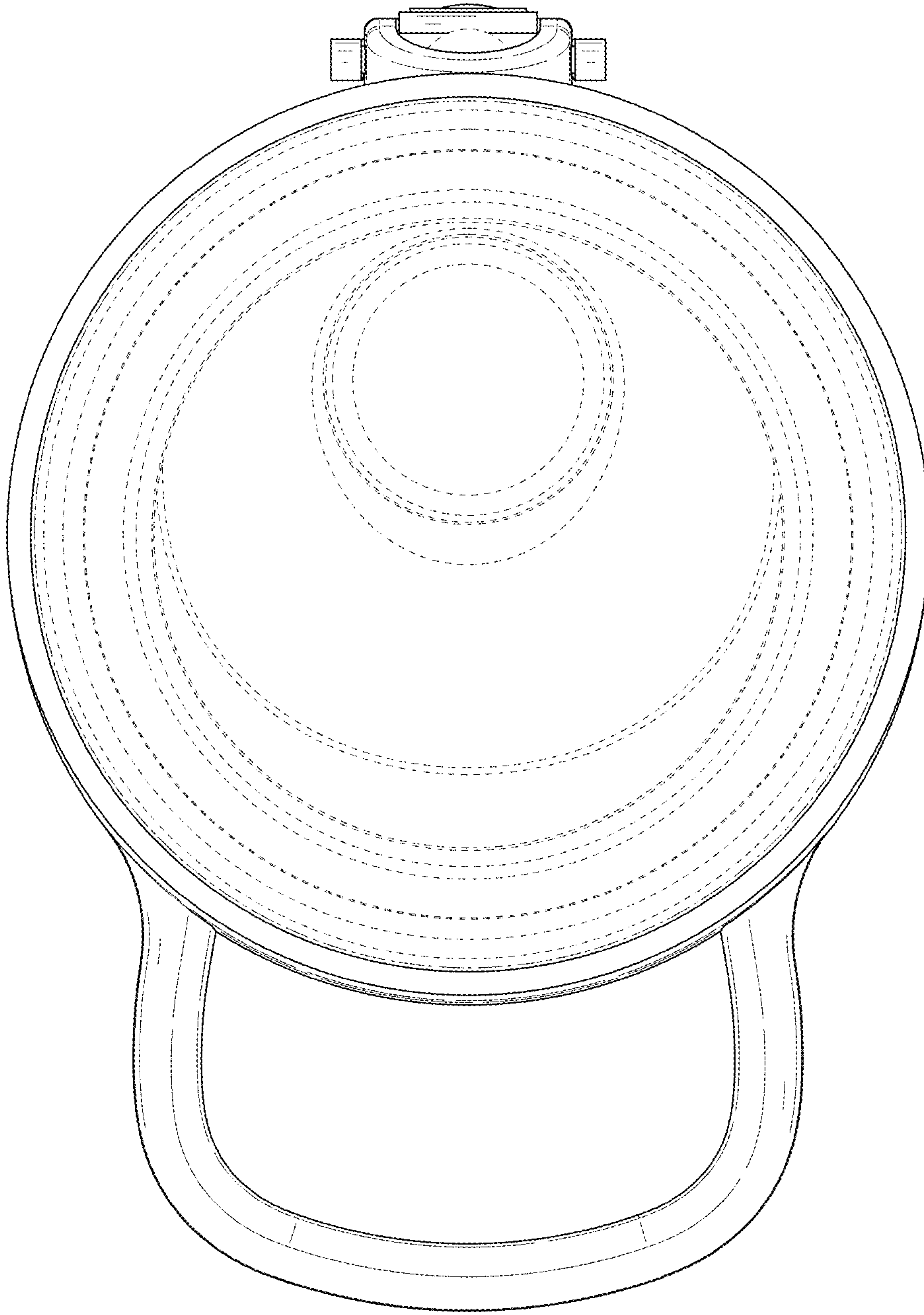


FIG. 8

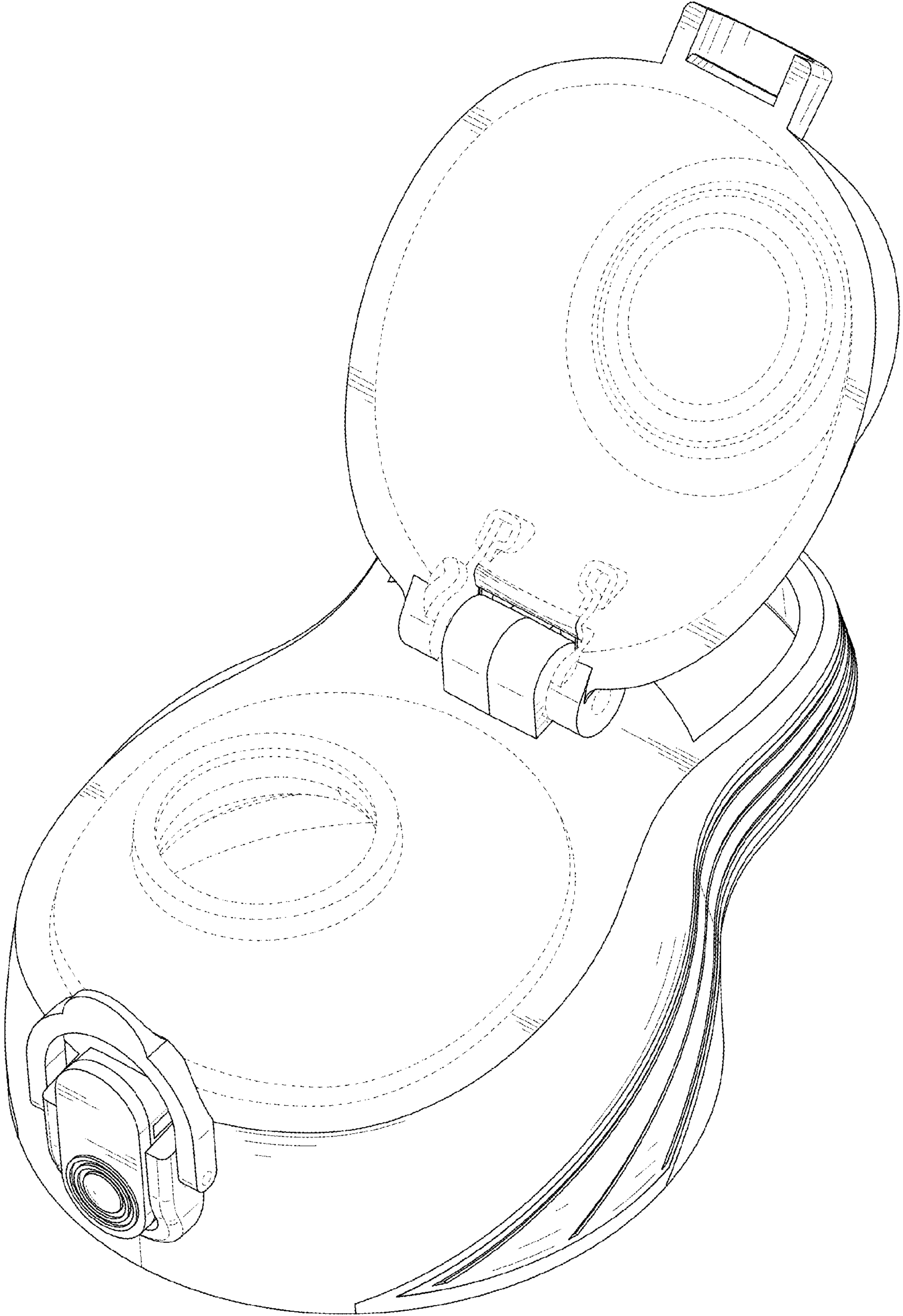


FIG. 9