



US00D955810S

(12) **United States Design Patent**
Ni

(10) **Patent No.:** **US D955,810 S**

(45) **Date of Patent:** **** Jun. 28, 2022**

(54) **LID FOR BEVERAGE CONTAINER**

(71) Applicant: **Zhenming Ni**, San Marino, CA (US)

(72) Inventor: **Zhenming Ni**, San Marino, CA (US)

(**) Term: **15 Years**

(21) Appl. No.: **29/750,849**

(22) Filed: **Sep. 16, 2020**

(51) **LOC (13) Cl.** **09-07**

(52) **U.S. Cl.**
USPC **D7/392.1; D9/443**

(58) **Field of Classification Search**
USPC D9/435, 439, 440, 442-449, 450, 454,
D9/531, 682-694, 723; D7/321, 391,
D7/392, 392.1, 396.2, 507, 509-511, 523,
D7/608, 900; D6/515
CPC B65D 83/205; B65D 83/206; B65D 83/40;
B65D 2543/00046; A47G 19/2272
See application file for complete search history.

(56) **References Cited**

U.S. PATENT DOCUMENTS

D729,569 S *	5/2015	Herbst	D7/392
D807,692 S *	1/2018	Yao	D7/392.1
D811,162 S *	2/2018	Rane	D7/396.2
D812,966 S *	3/2018	Murosky	D7/392.1
D870,508 S *	12/2019	Palkon	D7/392.1
D872,522 S *	1/2020	Diener	D7/392.1
D872,524 S *	1/2020	Bo	D7/392.1
D886,517 S *	6/2020	Bo	D7/392.1
D887,776 S *	6/2020	Bo	D7/392.1
D893,245 S *	8/2020	Zhang	D7/392.1
D894,671 S *	9/2020	Huang	D7/392.1
D894,672 S *	9/2020	Huang	D7/392.1
D897,760 S *	10/2020	Feng	D7/392.1
D897,761 S *	10/2020	Zhang	D7/392.1
D900,539 S *	11/2020	Yao	D7/392.1
D903,403 S *	12/2020	Ames	D7/392.1
D903,405 S *	12/2020	Zhang	D7/392.1

D906,042 S *	12/2020	Chen	D7/392.1
D911,100 S *	2/2021	Chen	D7/392.1
D911,101 S *	2/2021	Fang	D7/392.1
D917,953 S *	5/2021	Yao	D7/392
D917,956 S *	5/2021	Yao	D7/392
D917,959 S *	5/2021	Yao	D7/392
D923,394 S *	6/2021	Gu	D7/392.1
D923,396 S *	6/2021	Lin	D7/392.1
D924,000 S *	7/2021	Chen	D7/392.1
D924,624 S *	7/2021	Huang	D7/392.1
D924,626 S *	7/2021	Wang	D7/392.1
D925,275 S *	7/2021	Liu	D7/392.1
D929,802 S *	9/2021	Han	D7/392.1
D930,427 S *	9/2021	Ayres	D7/392.1
D931,042 S *	9/2021	Burga	D7/392.1

(Continued)

Primary Examiner — Brett Miller

Assistant Examiner — Rani J Abdallah

(74) *Attorney, Agent, or Firm* — Tsz Lung Yeung

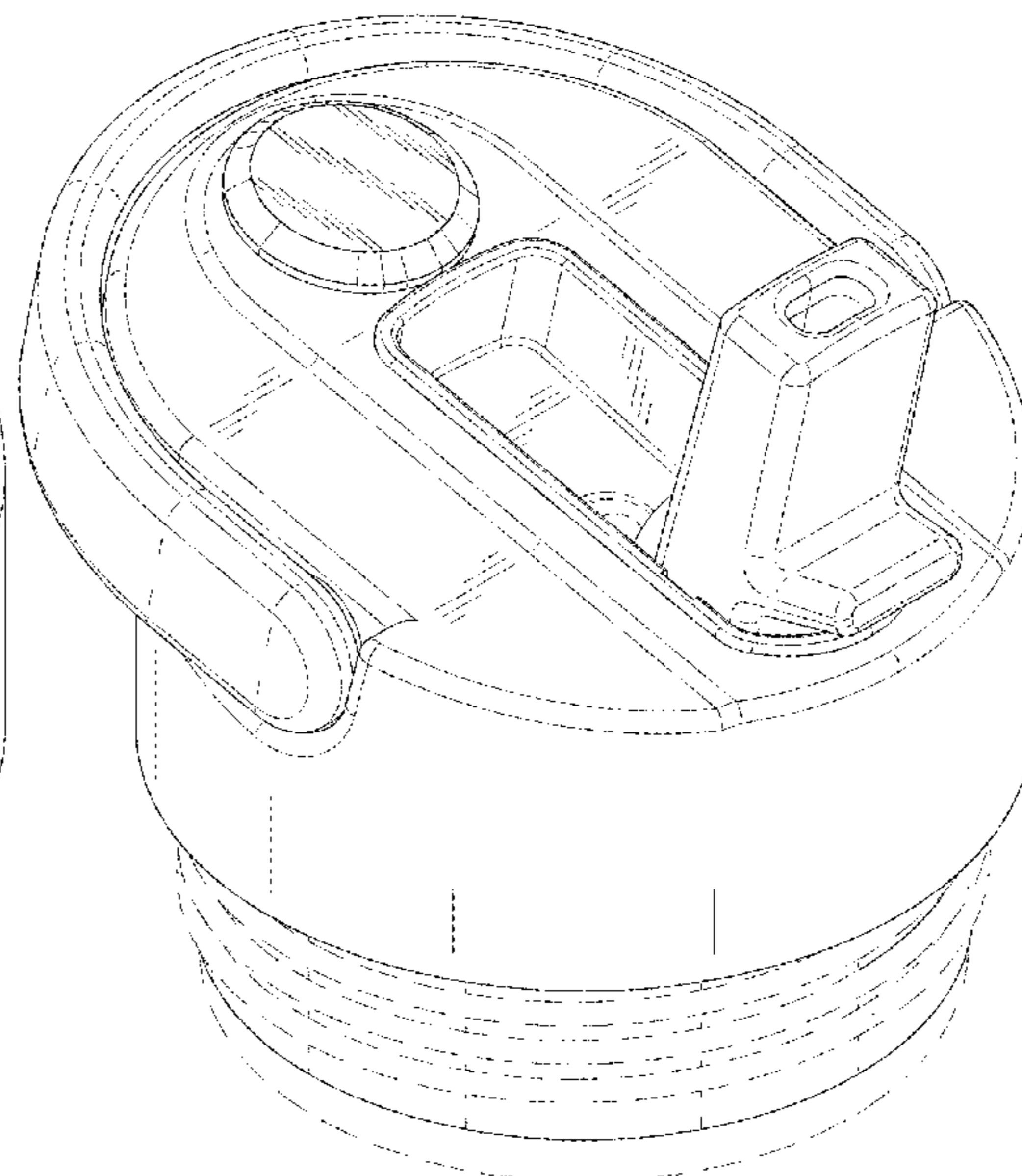
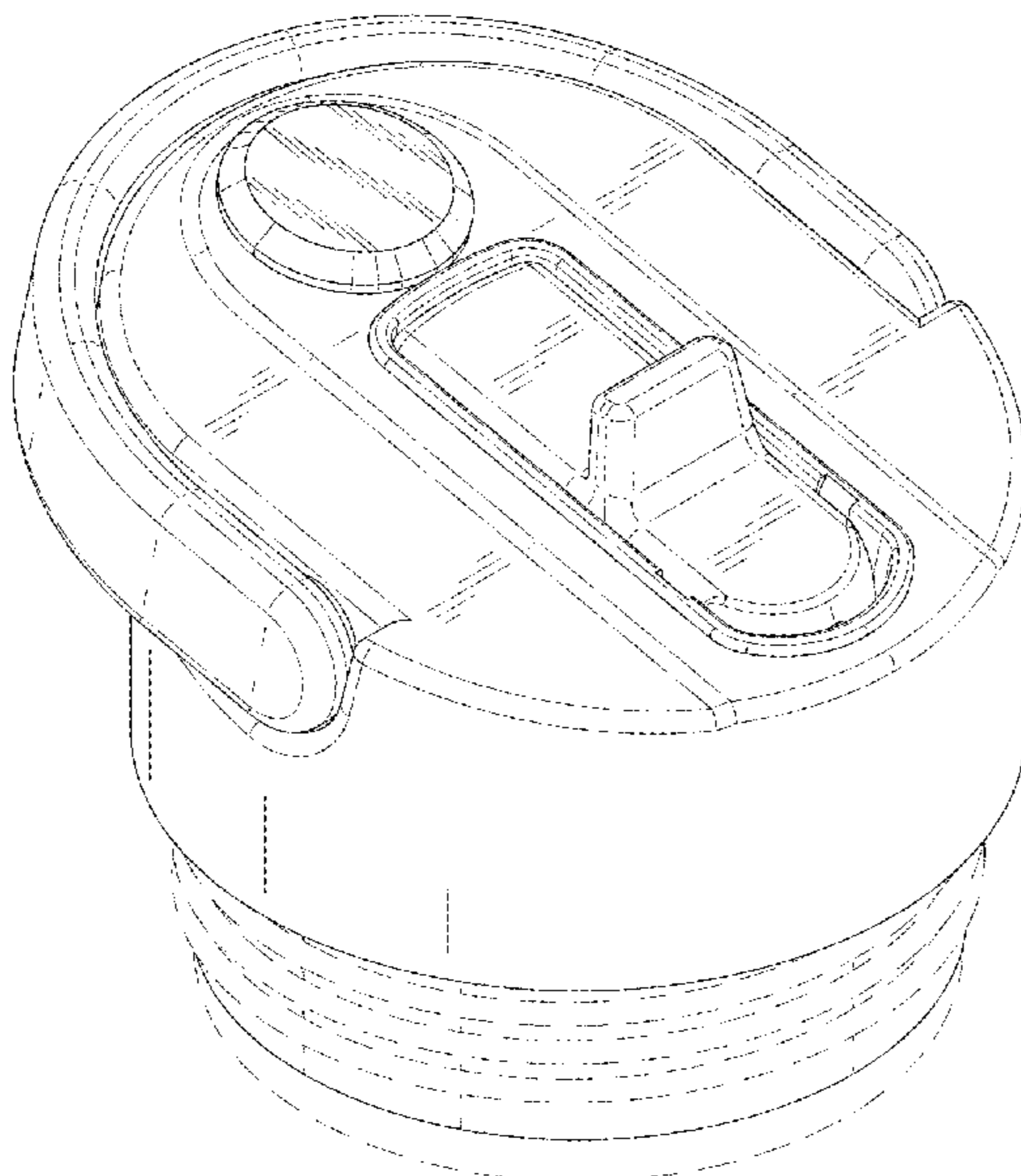
(57) **CLAIM**

The ornamental design for a lid for beverage container, as shown and described.

DESCRIPTION

FIG. 1 is a perspective view of a lid for beverage container showing my new design;
FIG. 2 is a front view thereof;
FIG. 3 is a rear view thereof;
FIG. 4 is a left side view thereof;
FIG. 5 is a right side view thereof;
FIG. 6 is a top view thereof;
FIG. 7 is a bottom view thereof;
FIG. 8 is a perspective view thereof, shown in an open position; and,
FIG. 9 is a perspective view thereof, shown in a carrying position.
The broken lines depict portions of the lid for beverage container that form no part of the claimed design.

1 Claim, 9 Drawing Sheets



(56)

References Cited

U.S. PATENT DOCUMENTS

D934,623	S	*	11/2021	Wang	D7/392.1
D935,264	S	*	11/2021	Kutlug	D7/392.1
D935,265	S	*	11/2021	Chen	D7/392.1
D938,223	S	*	12/2021	Chen	D7/392.1
D938,778	S	*	12/2021	Ge	D9/450
D939,887	S	*	1/2022	Hao	D7/392.1
D939,888	S	*	1/2022	Wang	D7/392.1
D940,501	S	*	1/2022	Burga	D7/392.1
D941,629	S	*	1/2022	Zhou	D7/392.1

* cited by examiner

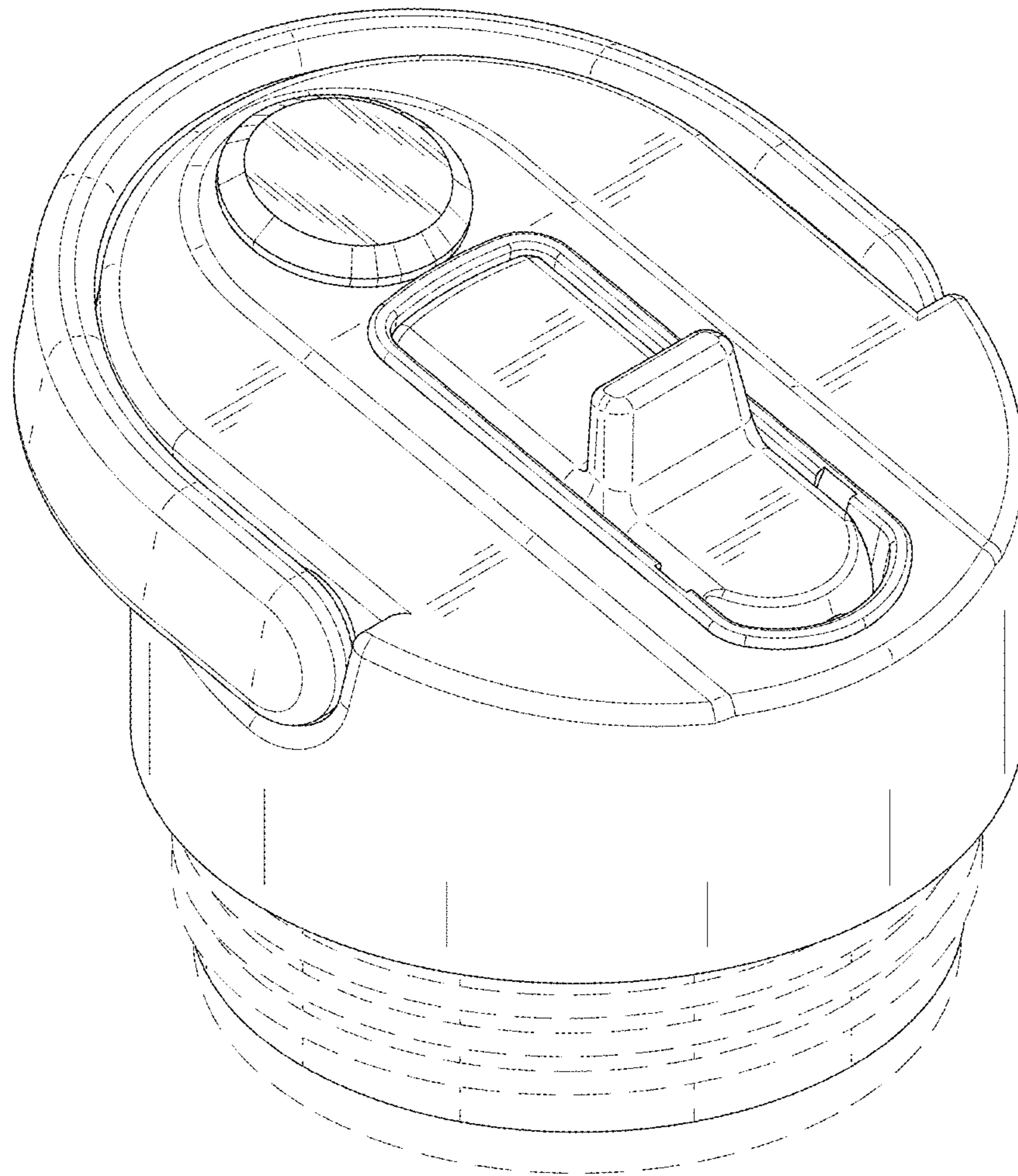


FIG. 1

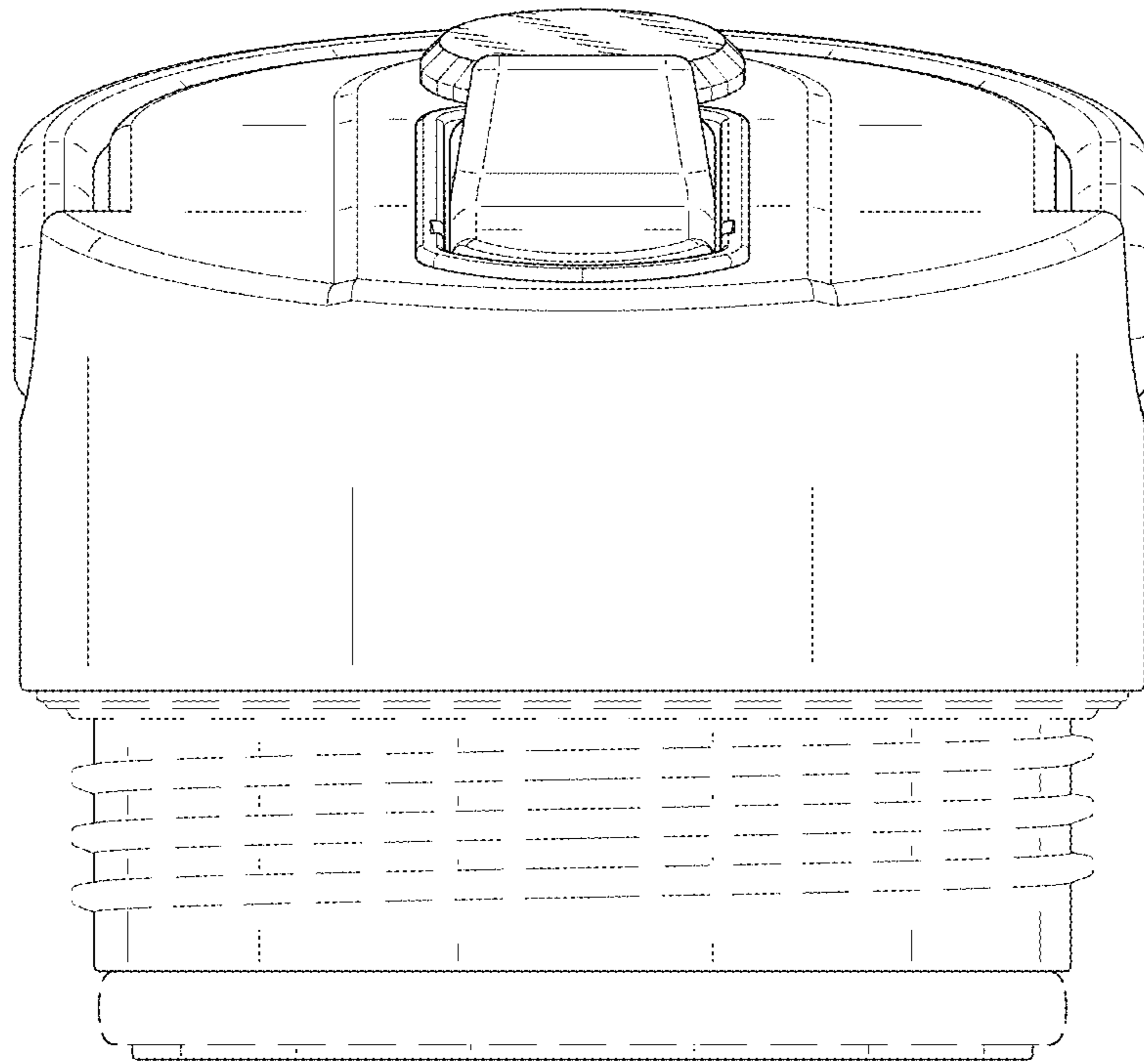


FIG.2

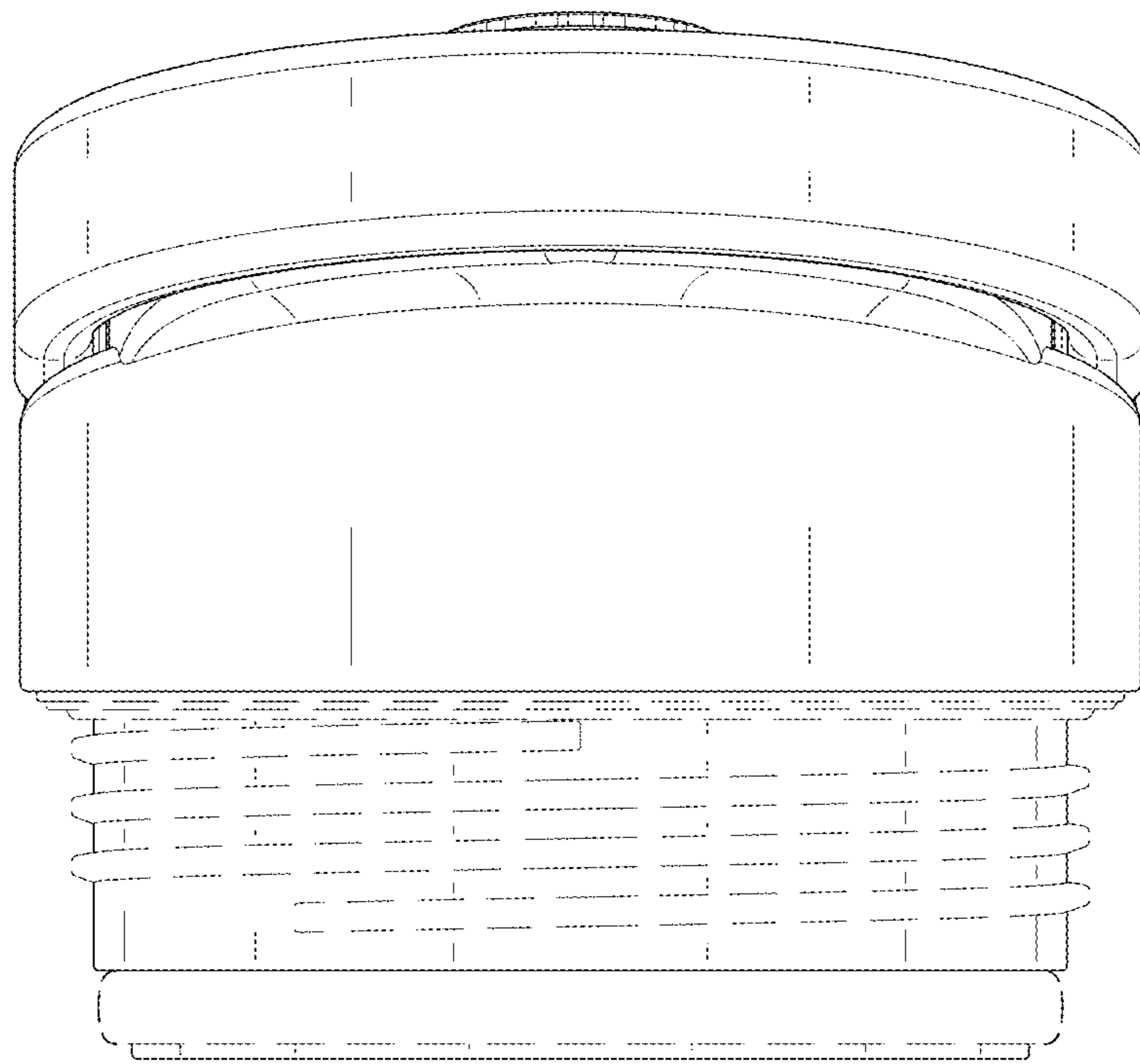


FIG. 3

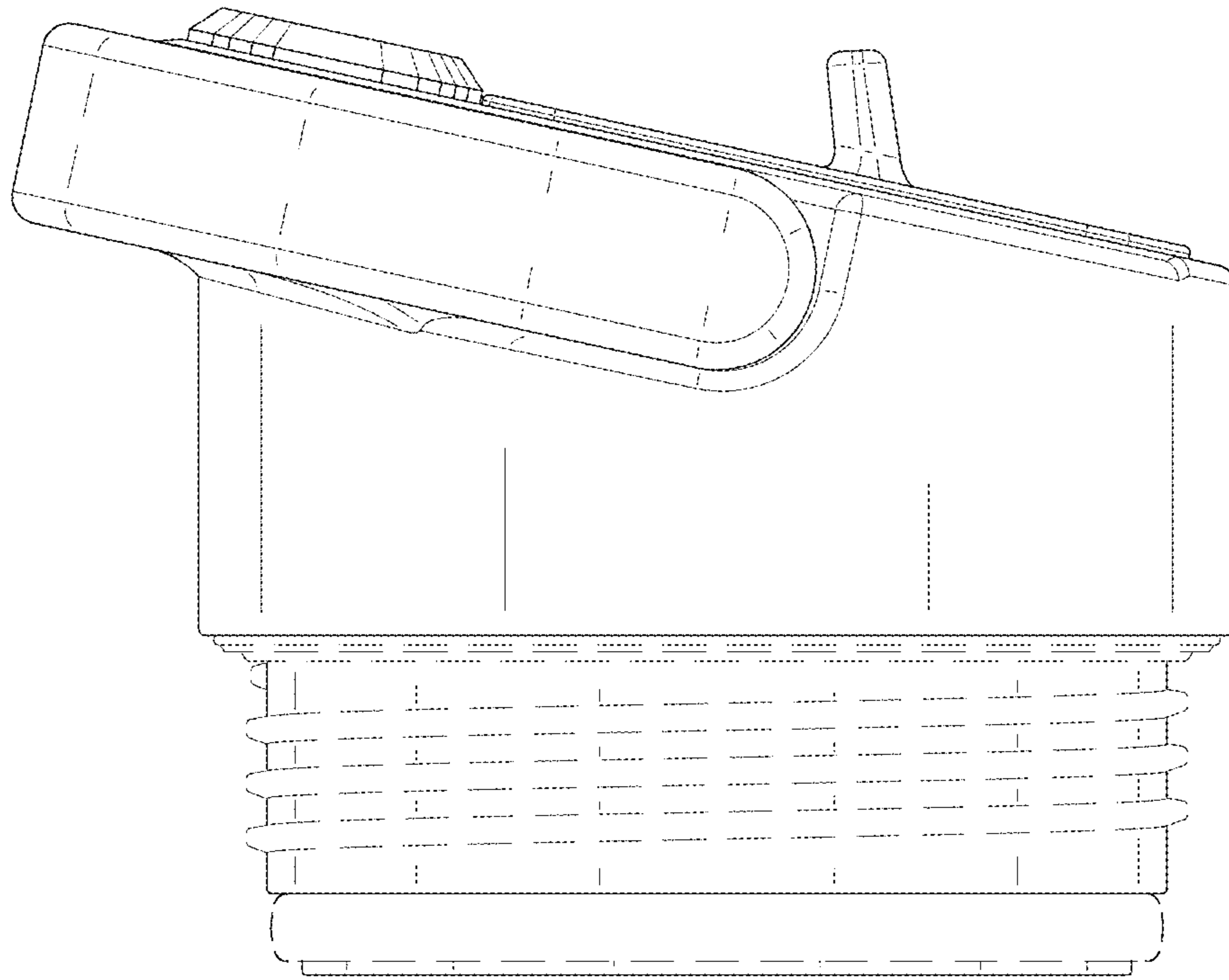


FIG. 4

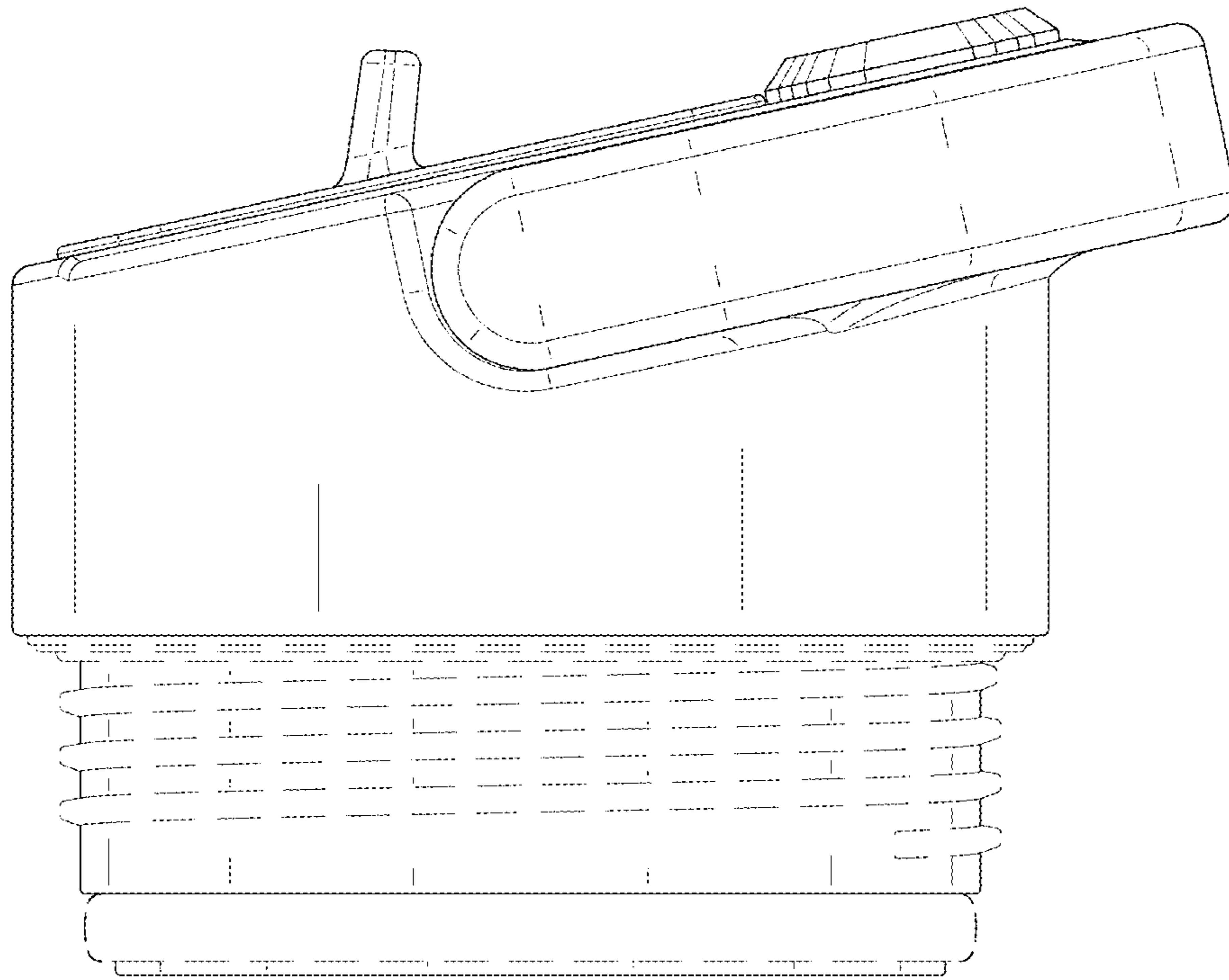


FIG. 5

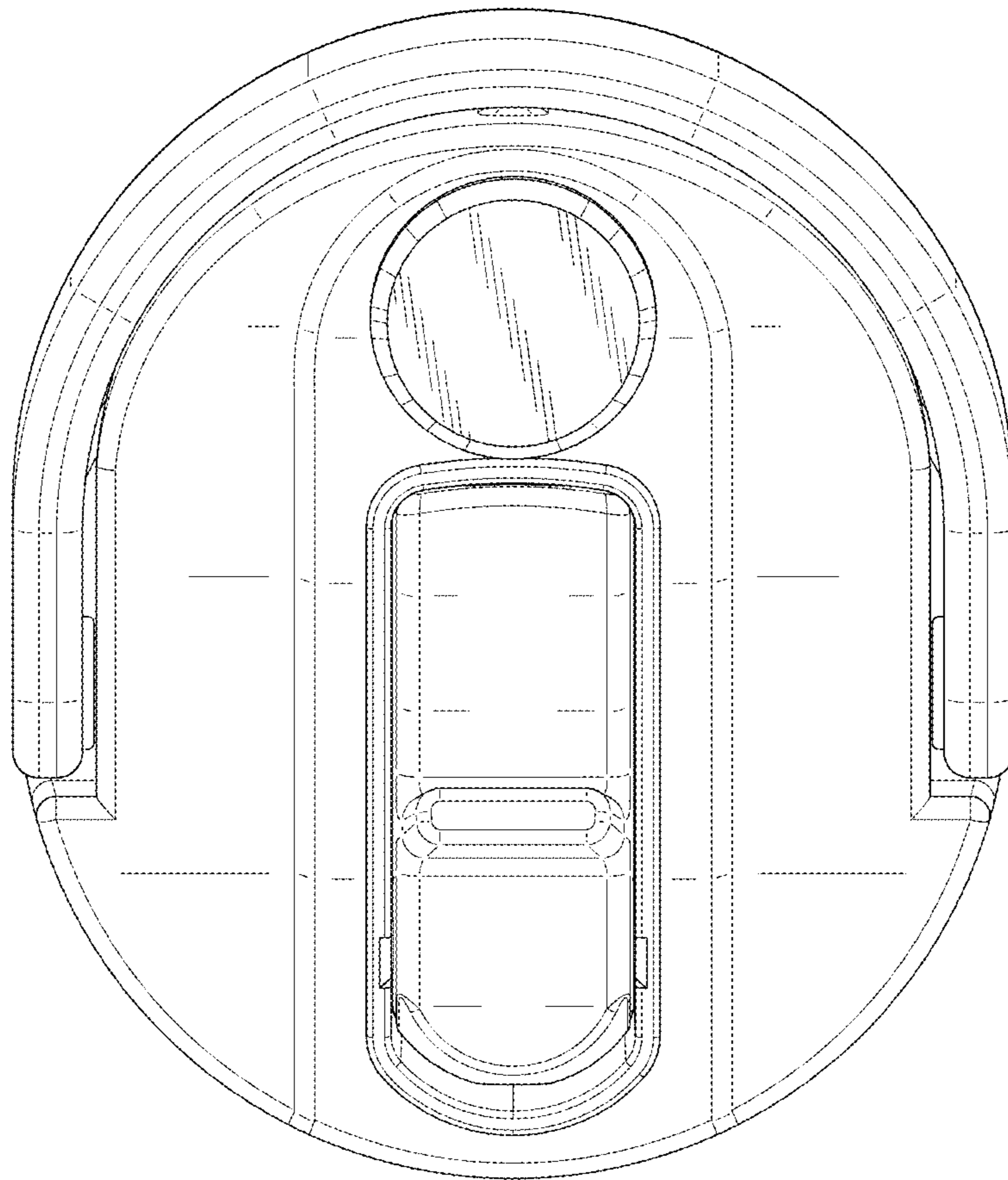


FIG. 6

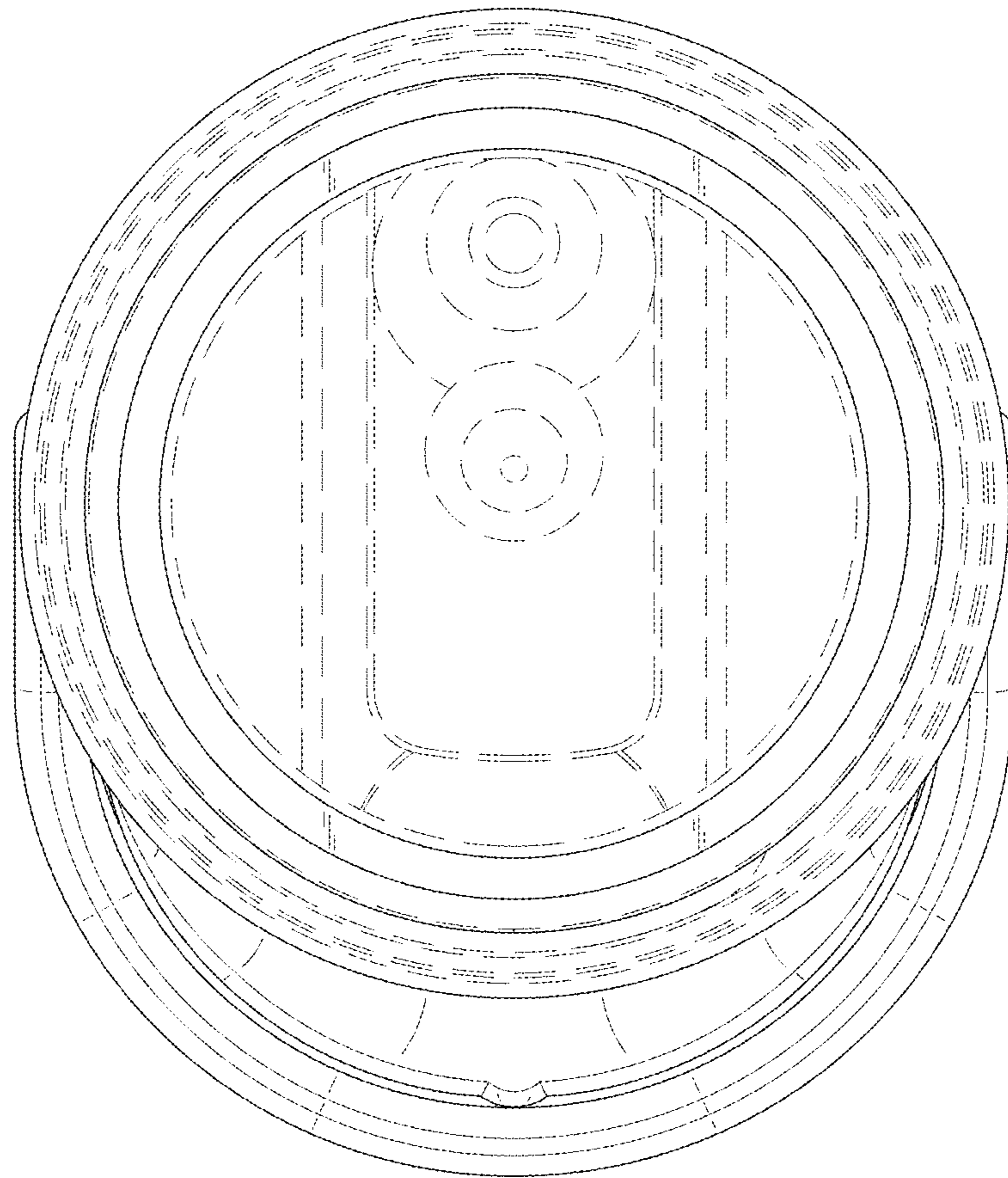


FIG. 7

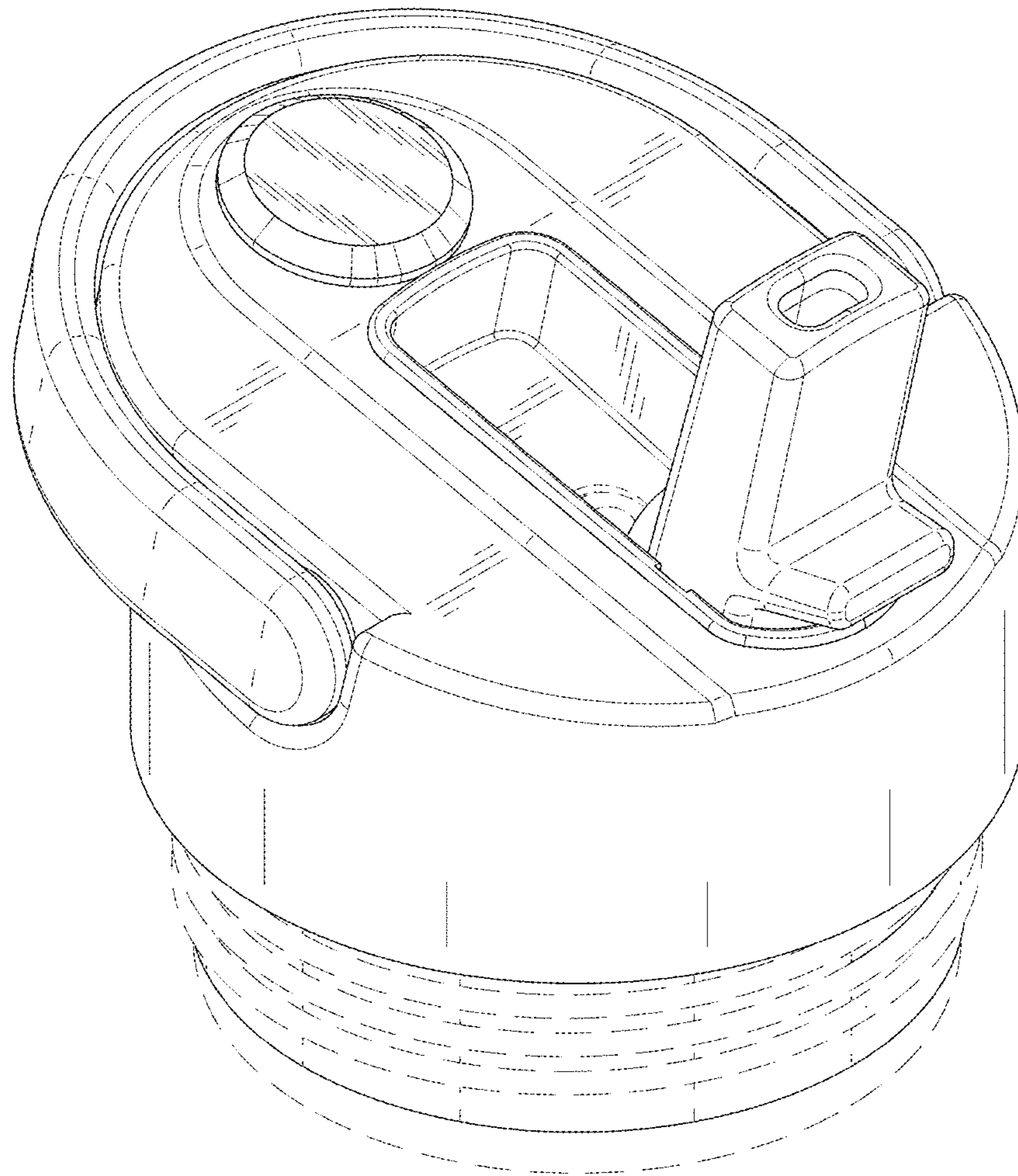


FIG. 8

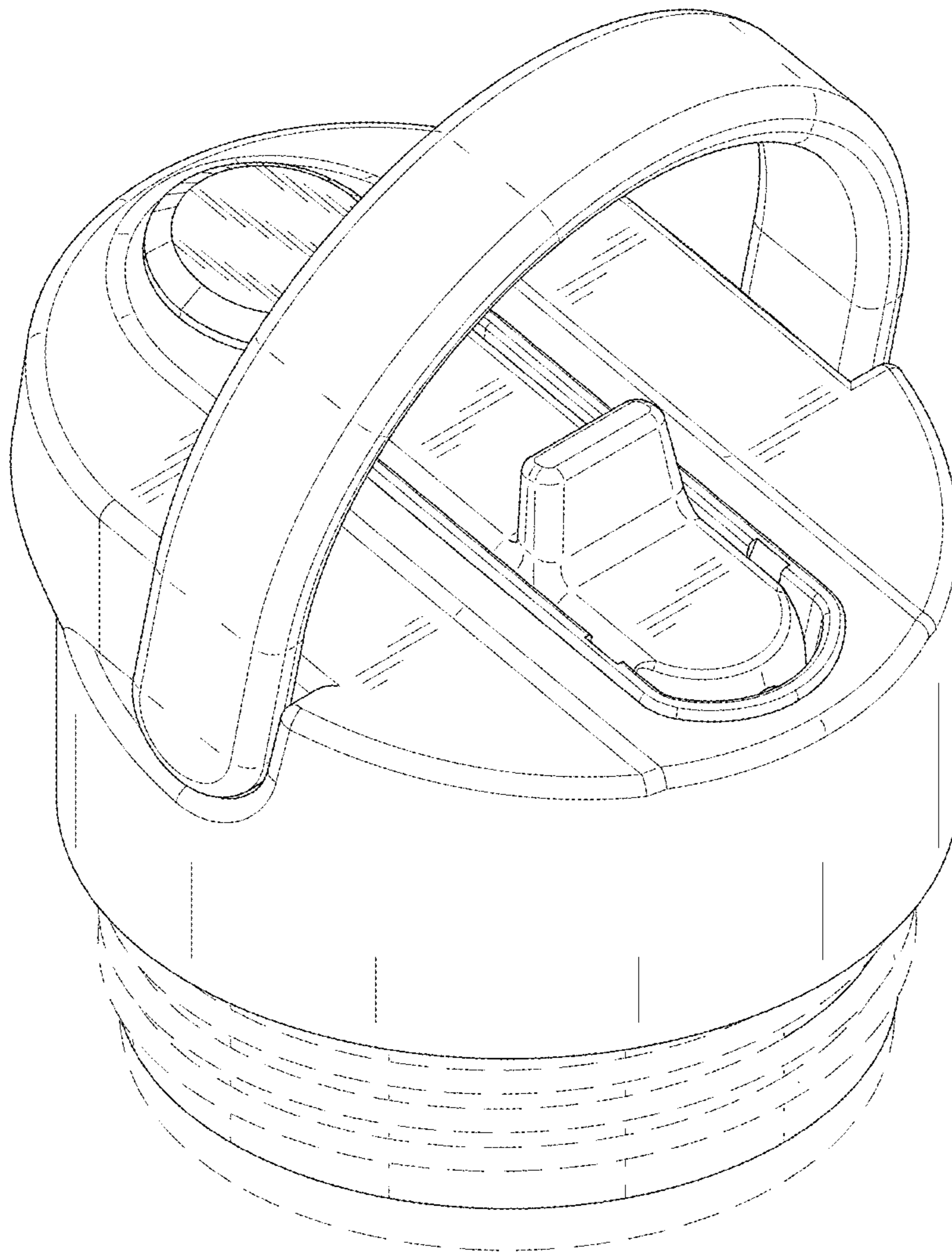


FIG. 9