



US00D955808S

(12) **United States Design Patent**  
**Campbell**

(10) **Patent No.:** **US D955,808 S**  
(45) **Date of Patent:** **\*\* Jun. 28, 2022**

(54) **CAP**  
(71) Applicant: **BottleKeeper, LLC**, Houston, TX (US)  
(72) Inventor: **Matthew T. Campbell**, Cave Creek, AZ (US)  
(73) Assignee: **BottleKeeper, LLC**, Houston, TX (US)  
(\*\*) Term: **15 Years**

D216,386 S \* 12/1969 Suggs ..... D9/434  
4,245,753 A 1/1981 Ellis  
4,444,324 A 4/1984 Grenell  
(Continued)

**FOREIGN PATENT DOCUMENTS**

CA 2956727 A1 \* 2/2016 ..... B65D 1/02  
DE 4126215 A1 2/1993  
(Continued)

(21) Appl. No.: **29/703,257**  
(22) Filed: **Aug. 26, 2019**  
(51) **LOC (13) Cl.** ..... **07-02**  
(52) **U.S. Cl.**  
USPC ..... **D7/392.1; D9/452**  
(58) **Field of Classification Search**  
USPC ..... D9/434, 435, 439, 443, 446, 447, 449,  
D9/452, 454, 438, 440; D7/387, 391,  
D7/392, 392.1, 396.1, 396.2; D23/206,  
D23/259, 260; D24/129; D3/202, 203.2;  
D28/91, 91.1  
CPC ..... B65D 81/3841; B65D 81/3839; B65D  
41/0414; B65D 85/72; B65D 1/00; B65D  
1/02; B65D 1/10; B65D 1/46; B65D  
5/46; B65D 41/00; B65D 41/38; B65D  
41/56; B65D 41/62; B65D 47/00; B65D  
47/06; B65D 47/08; A61J 1/00  
See application file for complete search history.

**OTHER PUBLICATIONS**

Simple Modern Ascent Handle Lid: Announced Oct. 28, 2017  
[online]. Site Visited [Jan. 28, 2022]. Available from Internet URL:  
[https://www.amazon.com/Simple-Modern-Ascent-Handle-Lid/dp/B076FHVZBH.\\*](https://www.amazon.com/Simple-Modern-Ascent-Handle-Lid/dp/B076FHVZBH.*)

(Continued)

*Primary Examiner* — Catherine S Posthauer  
(74) *Attorney, Agent, or Firm* — Quarles & Brady LLP

(57) **CLAIM**

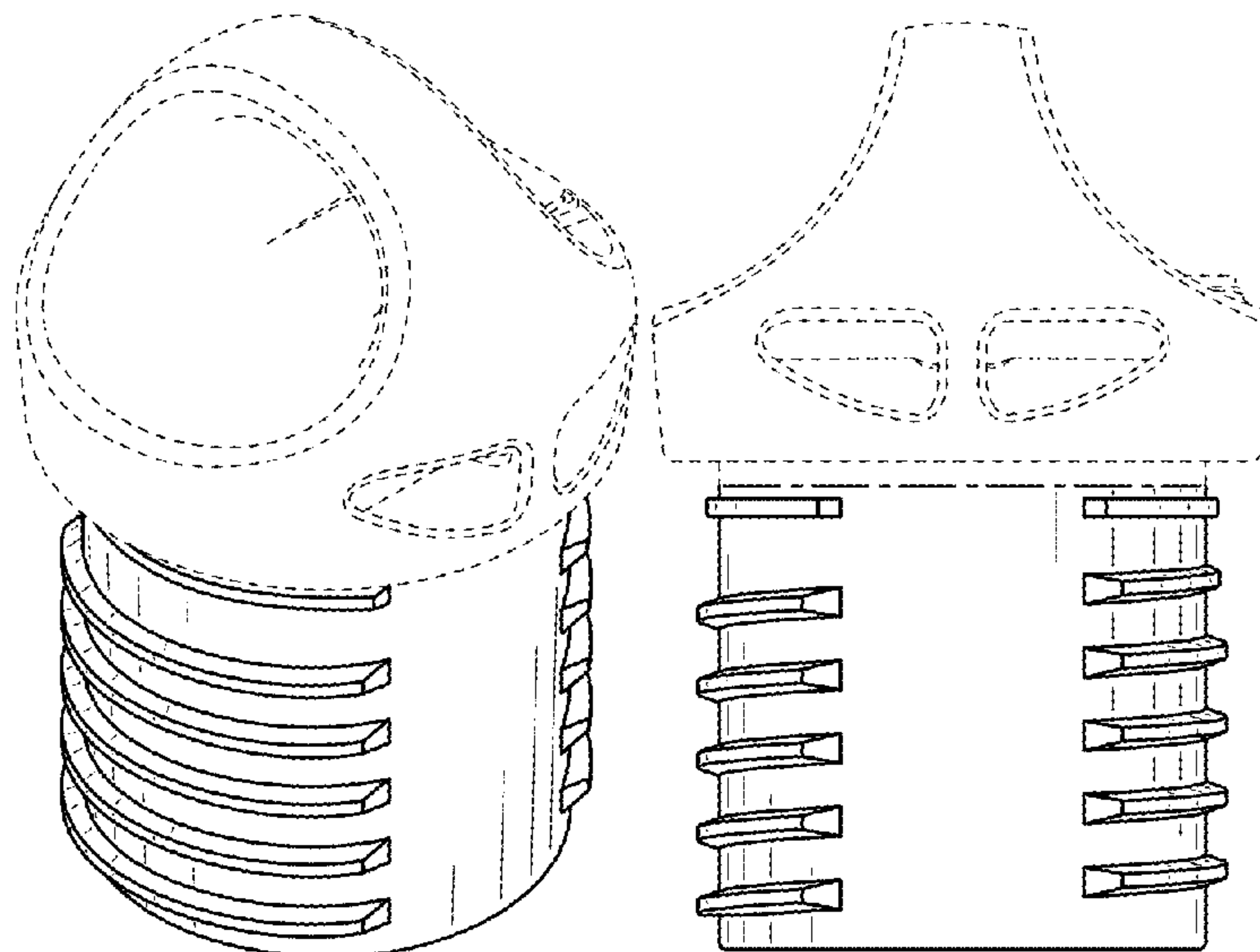
The ornamental design for a cap, as shown and described.

**DESCRIPTION**

FIG. 1 is an isometric front, top, and left side view of a cap, showing my new design;  
FIG. 2 is a front elevational view of the cap of FIG. 1;  
FIG. 3 is a rear elevational view of the cap of FIG. 1;  
FIG. 4 is a left side elevational view of the cap of FIG. 1;  
FIG. 5 is a right side elevational view of the cap of FIG. 1;  
FIG. 6 is a top plan view of the cap of FIG. 1; and,  
FIG. 7 is a bottom plan view of the cap of FIG. 1.  
The evenly broken lines are shown for the purpose of illustrating parts of the article that form no part of the claimed design. The dot-dash lines represent the boundaries of the claim and form no part thereof.

(56) **References Cited**  
U.S. PATENT DOCUMENTS  
441,228 A 11/1890 Cherbonnier  
460,918 A 10/1891 Kraetz  
2,163,568 A 6/1939 Peter  
2,889,065 A 6/1959 Lawlor  
2,963,187 A 12/1960 Carl  
3,120,319 A 2/1964 Buddrus  
3,229,840 A 1/1966 Albert  
3,308,980 A 3/1967 Taylor  
3,335,891 A 8/1967 Bailey

**1 Claim, 4 Drawing Sheets**



(56)

References Cited

U.S. PATENT DOCUMENTS

4,510,769 A	4/1985	McClellan, Jr.	D691,849 S	10/2013	Cetera et al.
D279,346 S	6/1985	Ruxton	D693,170 S	11/2013	Rosbach
4,690,300 A	9/1987	Woods	D695,069 S	12/2013	Lane
4,768,664 A	9/1988	Zimmermann	D695,138 S	12/2013	Ball
4,811,858 A	3/1989	Augur	D696,118 S	12/2013	Lindstrom
4,823,974 A	4/1989	Crosser	D696,900 S	1/2014	George et al.
D321,628 S	11/1991	Kobayashi et al.	D696,945 S	1/2014	Newman
5,186,350 A	2/1993	McBride	D699,516 S	2/2014	Kim et al.
5,213,215 A	5/1993	Prevot	D700,802 S	3/2014	Miller
5,261,554 A	11/1993	Forbes	D700,808 S	3/2014	Eyal
5,417,327 A	5/1995	Saumure	D702,086 S	4/2014	Thurlow
5,635,232 A	6/1997	Wallace	D702,092 S	4/2014	Mettler et al.
5,695,090 A	12/1997	Burdick	D702,506 S	4/2014	Mettler et al.
5,745,626 A	4/1998	Duck et al.	D705,063 S	5/2014	Weiss
5,904,267 A	5/1999	Thompson	D706,032 S	6/2014	Roth et al.
D410,548 S	6/1999	Chomik	D710,155 S	8/2014	Tatsukawa
5,975,337 A	11/1999	Hadley	D716,653 S	11/2014	Balembois
5,992,677 A	11/1999	Ebine	D724,385 S	3/2015	Hurley et al.
6,427,863 B1	8/2002	Nichols	D725,968 S	4/2015	George
6,467,644 B1	10/2002	Yeh	D726,476 S	4/2015	Ercanbrack
6,604,649 B1	8/2003	Campi	D727,171 S	4/2015	Marina et al.
D495,208 S	8/2004	Putnam	D727,671 S	4/2015	Gamelli
6,793,076 B1	9/2004	Luo et al.	D729,019 S	5/2015	Kilduff et al.
D512,874 S	12/2005	Poulson et al.	D730,729 S *	6/2015	George ..... D9/435
D533,396 S	12/2006	Lipson	D736,563 S	8/2015	George
D543,791 S	6/2007	Goto et al.	D737,144 S	8/2015	Hughes et al.
D547,610 S	7/2007	Edelstein et al.	D738,692 S	9/2015	Kilduff et al.
D553,914 S	10/2007	Wahl	D740,609 S	10/2015	Ayres
D573,390 S	7/2008	Ablo	D741,655 S	10/2015	Whelan et al.
D578,390 S *	10/2008	Green ..... D9/454	D743,741 S	11/2015	Itzhaki
D586,186 S	2/2009	Bhavnani	D758,132 S	6/2016	Breit
D599,616 S	9/2009	Cresswell et al.	D758,800 S	6/2016	Hayslett et al.
D604,561 S	11/2009	Chisholm	D760,081 S *	6/2016	Berge ..... D9/447
D614,918 S	5/2010	Chisholm	D761,624 S	7/2016	McLean et al.
D615,823 S	5/2010	Gilbert	D771,357 S	11/2016	Brewer
D616,743 S	6/2010	Cresswell et al.	D772,014 S	11/2016	Ayres
D619,418 S	7/2010	Nezu et al.	9,505,527 B1	11/2016	Campbell
D620,798 S *	8/2010	Cresswell ..... D9/443	D774,837 S	12/2016	Seiders et al.
D621,220 S	8/2010	Lown et al.	D779,273 S	2/2017	Lee et al.
D621,257 S *	8/2010	Gullickson ..... D9/443	D779,323 S	2/2017	Masrouf
D624,362 S	9/2010	Wahl	D779,881 S	2/2017	Lee et al.
D626,416 S	11/2010	Cresswell et al.	D780,530 S	3/2017	Seiders et al.
D627,227 S	11/2010	Andis	D780,531 S	3/2017	Seiders et al.
D627,601 S	11/2010	Eyal	D780,532 S	3/2017	Seiders et al.
D628,486 S	12/2010	Lane	D780,533 S	3/2017	Seiders et al.
D632,522 S	2/2011	Wahl et al.	D781,662 S	3/2017	Seiders et al.
D632,524 S	2/2011	Rosbach et al.	D782,881 S	4/2017	Seiders et al.
D633,338 S	3/2011	Rosbach et al.	D783,367 S	4/2017	Seiders et al.
D635,457 S	4/2011	Lane	D783,368 S	4/2017	Seiders et al.
D640,494 S	6/2011	Frederiksen	D784,775 S	4/2017	Seiders et al.
D648,984 S	11/2011	Gullickson et al.	D785,412 S	5/2017	Petre
D651,853 S	1/2012	Eyal	D786,012 S	5/2017	Hein et al.
D652,255 S	1/2012	Carland	D786,617 S	5/2017	Breit
D652,682 S	1/2012	Eyal	D787,886 S	5/2017	Cerasani
D653,081 S	1/2012	George	D787,893 S	5/2017	Seiders et al.
D655,581 S	3/2012	Kotani	D787,894 S	5/2017	Seiders et al.
D656,025 S	3/2012	Carreno	9,637,270 B2	5/2017	Campbell
D657,196 S	4/2012	Beyers, III	D788,544 S	6/2017	Seiders et al.
D658,450 S	5/2012	Ying	D789,796 S	6/2017	McSweeney et al.
D658,944 S	5/2012	Gilbert et al.	D790,285 S	6/2017	Seiders et al.
D660,081 S	5/2012	Gilbert	D791,550 S	7/2017	Marret
D661,945 S	6/2012	Eyal	D794,397 S	8/2017	Seiders et al.
D662,767 S	7/2012	Hotell et al.	D795,019 S	8/2017	Seiders et al.
D664,809 S	8/2012	Eyal	D795,020 S	8/2017	Seiders et al.
D665,621 S	8/2012	Eyal	D796,261 S	9/2017	Khalifa et al.
D670,525 S	11/2012	Fallon et al.	D799,898 S	10/2017	Yao
D672,609 S	12/2012	Aziz et al.	D799,900 S	10/2017	Santos et al.
D675,882 S	2/2013	Crockett	D799,906 S	10/2017	Seiders et al.
D676,708 S	2/2013	Lane	D799,907 S	10/2017	Seiders et al.
D677,119 S	3/2013	Ying	D799,908 S	10/2017	Seiders et al.
D680,431 S	4/2013	Hopkins	D800,502 S	10/2017	Weernink
D682,016 S	5/2013	Knight	D803,064 S	11/2017	Marina et al.
D687,677 S	8/2013	Sturgess	D803,632 S	11/2017	Seiders et al.
D689,332 S	9/2013	Krasner	D804,906 S	12/2017	Diener et al.
D691,420 S	10/2013	McIntire	D805,852 S	12/2017	Seiders et al.
			D806,477 S	1/2018	Wray et al.
			D807,125 S	1/2018	Seiders et al.
			D808,220 S	1/2018	Bums et al.
			D809,344 S	2/2018	Guthrie



(56)

References Cited

U.S. PATENT DOCUMENTS

D809,920 S 2/2018 Maple  
 D811,817 S 3/2018 Harrington, III et al.  
 D811,818 S 3/2018 Wu  
 D813,613 S 3/2018 Wall  
 D814,241 S 4/2018 Nickley et al.  
 D814,865 S 4/2018 Breit  
 D816,411 S 5/2018 Stover  
 D817,713 S 5/2018 Lin  
 D817,714 S 5/2018 Breit  
 D818,775 S 5/2018 Woodruff  
 D819,403 S 6/2018 Li et al.  
 D820,650 S 6/2018 Seiders et al.  
 D821,138 S 6/2018 Silsby et al.  
 D823,068 S 7/2018 Seiders et al.  
 D823,069 S 7/2018 Seiders et al.  
 D824,218 S 7/2018 Seiders et al.  
 10,040,593 B2 8/2018 Ross  
 D828,094 S 9/2018 Jackson et al.  
 D828,095 S 9/2018 Jackson et al.  
 D828,751 S \* 9/2018 Ploeger ..... D15/152  
 D829,056 S 9/2018 Wall  
 D829,058 S 9/2018 Seiders et al.  
 D829,101 S 9/2018 Spivey et al.  
 D830,773 S 10/2018 Jacobsen  
 D830,774 S 10/2018 Jacobsen  
 D830,784 S 10/2018 Moore et al.  
 D831,436 S 10/2018 Seiders et al.  
 D834,373 S 11/2018 Spivey et al.  
 10,118,735 B2 11/2018 Campbell  
 D836,389 S 12/2018 Abante et al.  
 D837,597 S 1/2019 Silsby  
 10,251,468 B1 \* 4/2019 Moore ..... B65D 23/0885  
 D847,630 S \* 5/2019 Cotan ..... D9/439  
 10,384,832 B2 8/2019 Johnson  
 D862,228 S \* 10/2019 Yao ..... D7/392.1  
 D876,227 S \* 2/2020 Ramsey ..... D9/438  
 D885,892 S \* 6/2020 Paquet ..... D9/443  
 D897,151 S 9/2020 Bullock et al.  
 D902,643 S \* 11/2020 Park ..... D7/391  
 D907,954 S \* 1/2021 Ludolph ..... D7/392.1  
 D908,487 S 1/2021 Xia  
 D917,225 S 4/2021 Huang  
 D917,960 S \* 5/2021 Yao ..... D9/516  
 D922,829 S \* 6/2021 Campbell ..... D7/608  
 11,034,505 B2 6/2021 Bullock  
 D931,042 S 9/2021 Burga et al.  
 D935,268 S 11/2021 Bullock et al.  
 2004/0045972 A1 3/2004 Stokes  
 2004/0124192 A1 7/2004 Teller  
 2005/0224442 A1 10/2005 White  
 2005/0269322 A1 12/2005 Betras et al.  
 2007/0051687 A1 3/2007 Olson  
 2007/0119517 A1 5/2007 Grace  
 2007/0125785 A1 6/2007 Robinson et al.  
 2007/0175906 A1 8/2007 Caladrino  
 2007/0221693 A1 9/2007 Moore  
 2009/0056369 A1 3/2009 Fink et al.  
 2009/0266737 A1 10/2009 Cole  
 2010/0005828 A1 1/2010 Fedell  
 2010/0084362 A1 4/2010 Letchinger et al.  
 2010/0288723 A1 11/2010 Mayer  
 2011/0011823 A1 1/2011 Moore  
 2011/0114588 A1 5/2011 Nowzari  
 2011/0204048 A1 8/2011 Carino et al.  
 2012/0145591 A1 6/2012 Ceder  
 2012/0199548 A1 8/2012 Kitto  
 2013/0153591 A1 6/2013 Grimes et al.

2013/0206717 A1 8/2013 Lane  
 2014/0238949 A1 8/2014 Patel  
 2015/0021346 A1 1/2015 Cappuccio  
 2015/0232232 A1 8/2015 Shibuki et al.  
 2017/0008207 A1 \* 1/2017 Tamarindo ..... B65D 85/72  
 2018/0162608 A1 6/2018 Kim  
 2018/0194518 A1 7/2018 Li et al.  
 2018/0194537 A1 7/2018 Chan  
 2019/0152655 A1 \* 5/2019 Lake ..... B65D 81/3841

FOREIGN PATENT DOCUMENTS

DE 102004025620 A1 2/2006  
 EP 1452455 A1 9/2004  
 FR 1054716 A 2/1954  
 JP 2008030773 A 2/2008  
 KR 2010000510 U 1/2010  
 TW 460607 U 9/2013  
 WO 2008063750 A2 5/2008

OTHER PUBLICATIONS

Stanley Replacement Lid: Announced May 26, 2020 [online]. Site Visited [Feb. 9, 2022]. Availalbe from Internet URL: <https://www.amazon.co.uk/Stanley-10-08920-001-Replacement-Plug/dp/B082LZST96>.\*

Universal Vacuum Flask Pot Stopper Cup Cap: Site Visited [Feb. 9, 2022]. Availalbe from Internet URL: [https://www.ebay.com/itm/304018532062?chn=ps&var=603173204378&\\_trkparms=ispr%3D1&amdata=enc%3A1IOBCXa-0QGKFUE-9KtPxzQ46&norover=1&mkevt=1&mkrid=711-117182-37290-0&mkcid=2&itemid=603173204378\\_304018532062&targetid=1599090336417&device=c&mktype=&googleloc=9059726&poi=&campaignid=15275224983&mkgroupid=131097072938&rl](https://www.ebay.com/itm/304018532062?chn=ps&var=603173204378&_trkparms=ispr%3D1&amdata=enc%3A1IOBCXa-0QGKFUE-9KtPxzQ46&norover=1&mkevt=1&mkrid=711-117182-37290-0&mkcid=2&itemid=603173204378_304018532062&targetid=1599090336417&device=c&mktype=&googleloc=9059726&poi=&campaignid=15275224983&mkgroupid=131097072938&rl).\*

“Meymom Baby Bottle Thread Changer or Bottle Converter; Allow Spectra S1 S2 Pumps’ Wide Mouth Flanges to use Medela Bottles, Ameda Bottles, Lifefactory Bottles, Dr. Brown Narrow Neck Bottles, 4 pc.” <https://www.amazon.com/Maymom-Changer-Converter-Spectra-Lifefactory/dp/B01EUNA96W?th=1> (published 2016). Retrieved Jan. 21, 2022. (5 pages).

Back2Tap, [online], Reusable Bottles posted on Jan. 6, 2011, retrieved on Jan. 28, 2019. Retrieved from, <URL: <http://www.back2tap.com/tag/stainless-steel-water-bottles/>>, 3 pages.

Benefits of Stainless Steel Water Bottles, [online], posted on Mar. 1, 2012, retrieved on Jan. 28, 2019. Retrieved from, <URL: <https://b2bbusinessnews.wordpress.com/2012/03/01/benefits-of-stainless-steel-water-bottles/>>, 3 pages.

Brewtis the BottleKeeper, [online], posted on Dec. 26, 2013, retrieved on Jan. 28, 2019. Retrieved from, <URL: <http://www.dudeiwanthat.com/gear/food-drink/brewtis-the-bottlekeeper.asp>>, 22 pages.

EarthLust Stainless Steel Water Bottle, [online], product reviewed on Oct. 17, 2008, retrieved on Jan. 28, 2019. Retrieved from, <URL: <https://www.amazon.com/dp/BOO1DYOCOW7tag=new-best-seller-20>>, 4 pages.

Neiko 71010 Stainless Steel Sports Water Bottle, [online], published on Nov. 3, 2009, retrieved on Jan. 28, 2019. Retrieved from, <URL: [https://www.amazon.com/Eco-Friendly-Mouth-Stainless-Steel-Bottle/dp/B002VDA2AC/ref=sr\\_1\\_107?s=sporting-goods&ie=UTF8&qid=1396116064&s%E2%80%A6](https://www.amazon.com/Eco-Friendly-Mouth-Stainless-Steel-Bottle/dp/B002VDA2AC/ref=sr_1_107?s=sporting-goods&ie=UTF8&qid=1396116064&s%E2%80%A6)>, 8 pages.

Wawabots Personalized Photo Water Bottles, [online], published on Nov. 30, 2011, retrieved on Jan. 28, 2019. Retrieved from, <URL: <https://inhabitat.com/inhabitats/product-review-wawabots-personalized-photo-water-bottles/>>, 7 pages.

\* cited by examiner

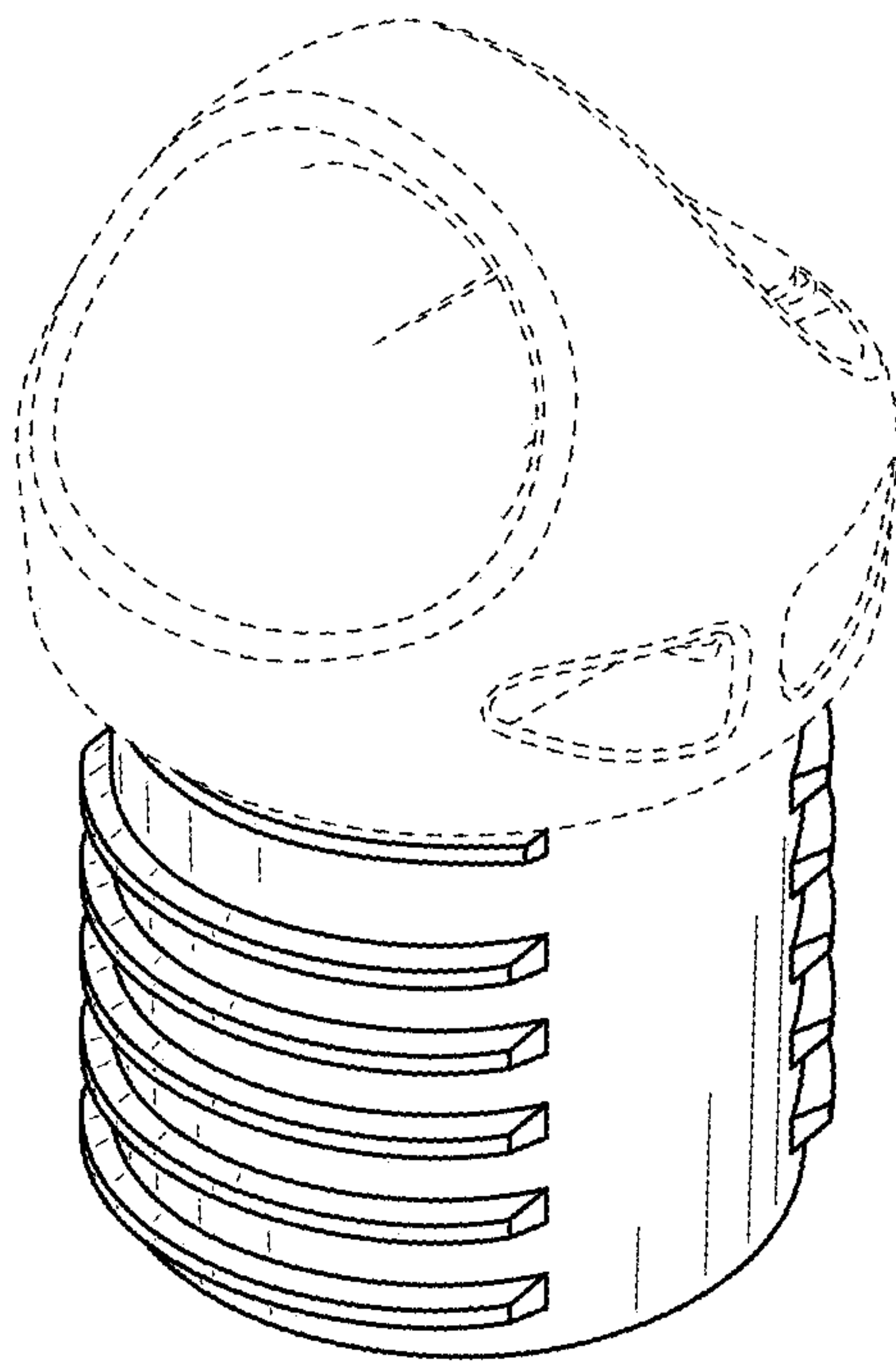


FIG. 1

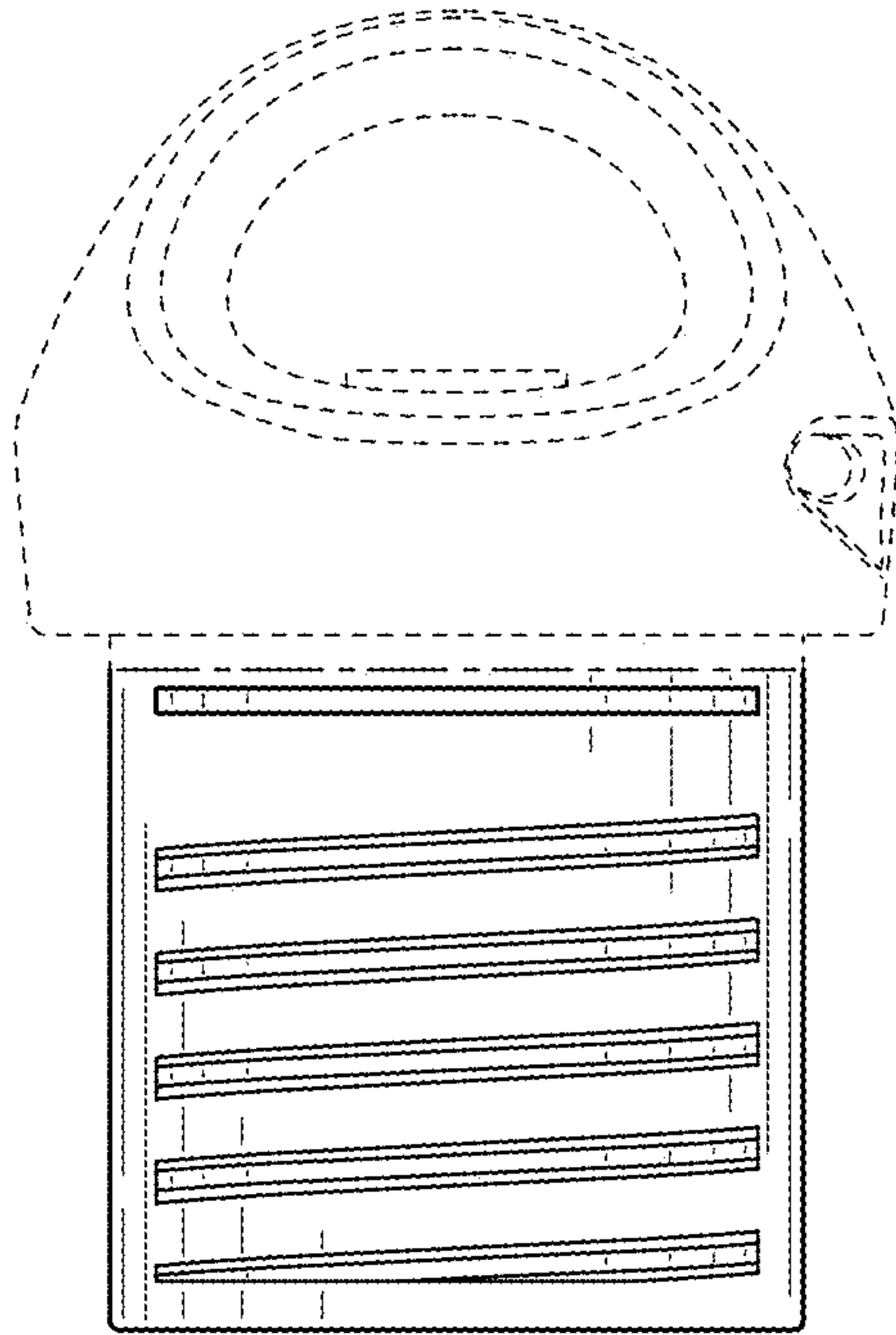


FIG. 2

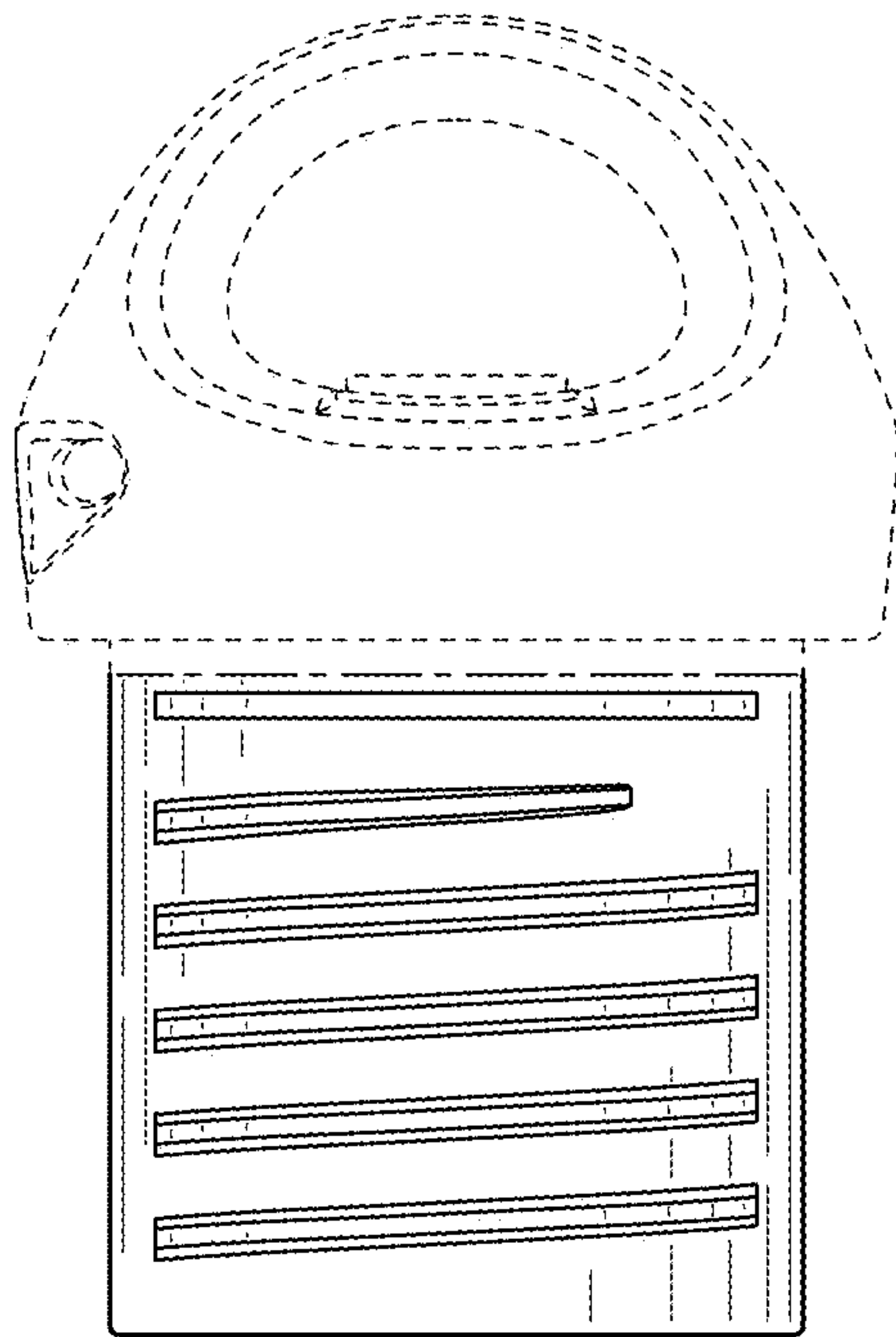


FIG. 3

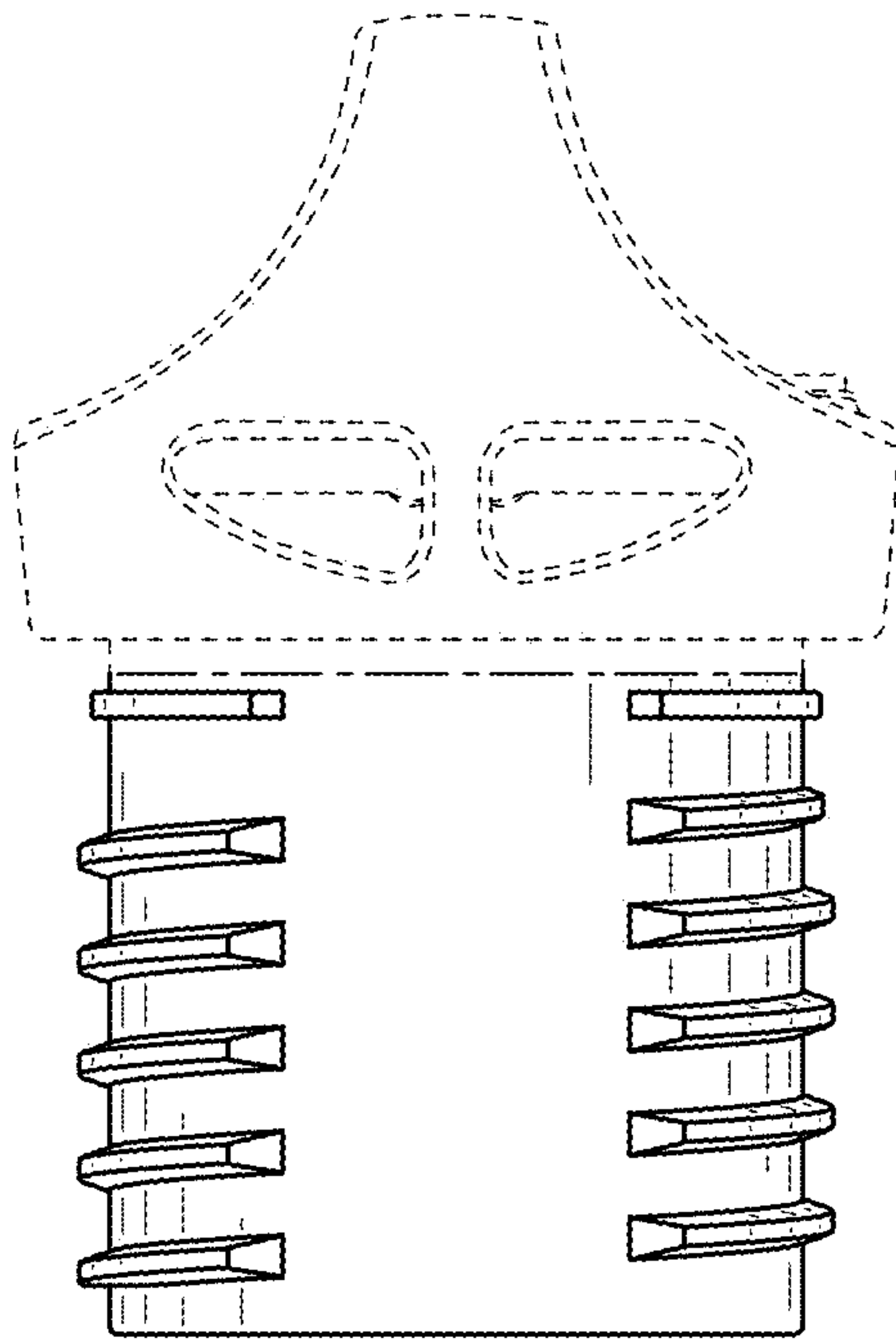


FIG. 4

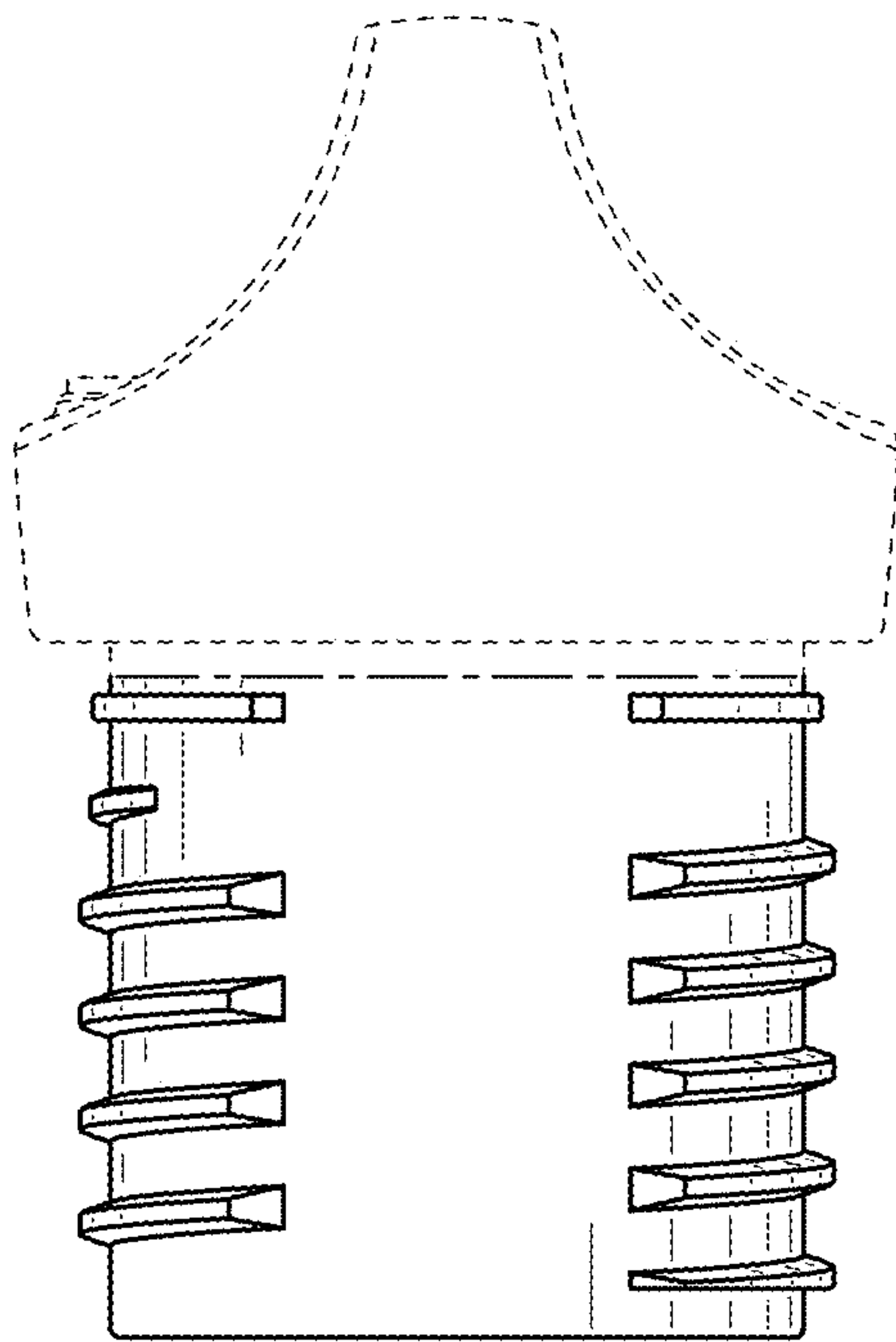
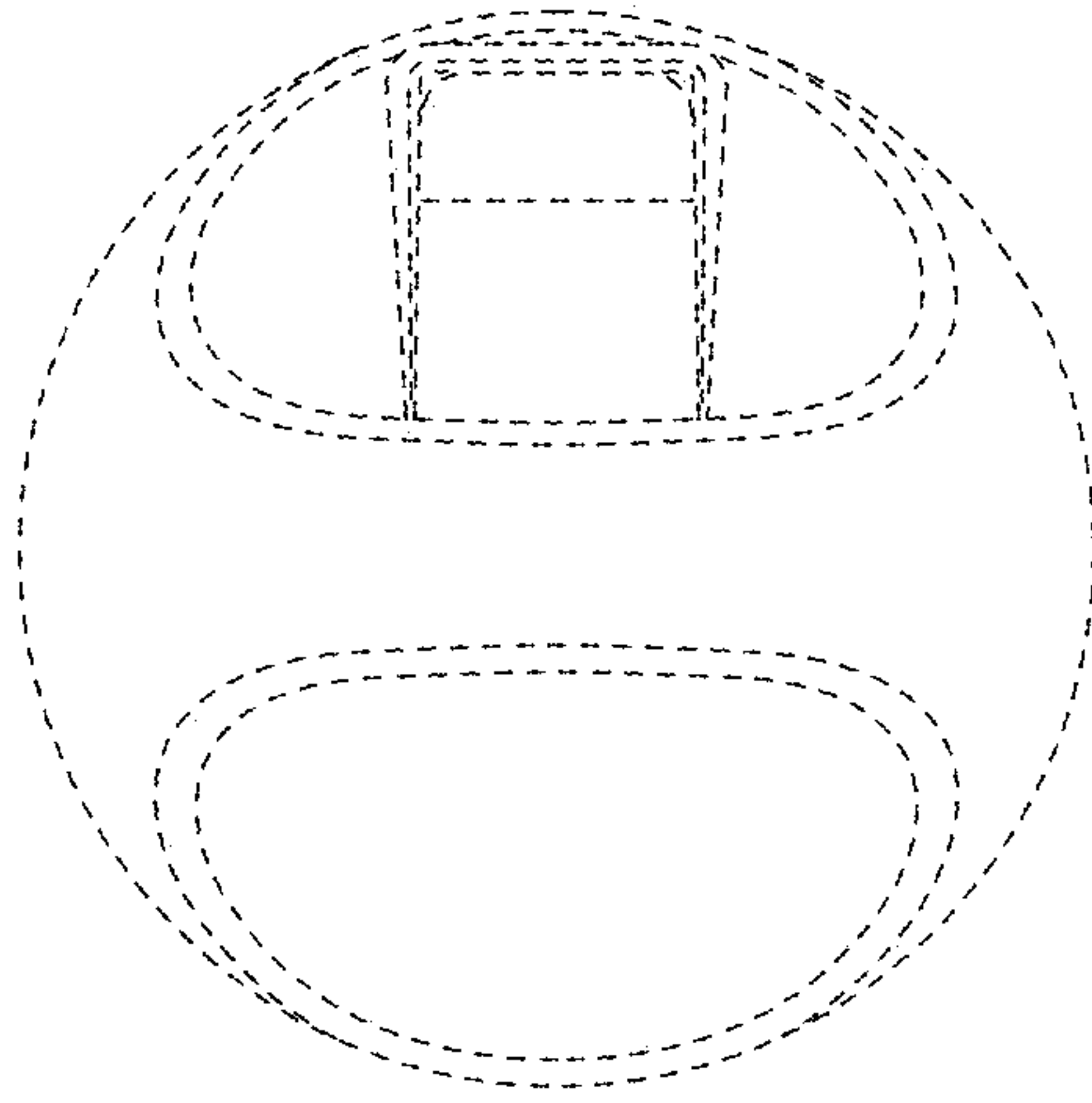
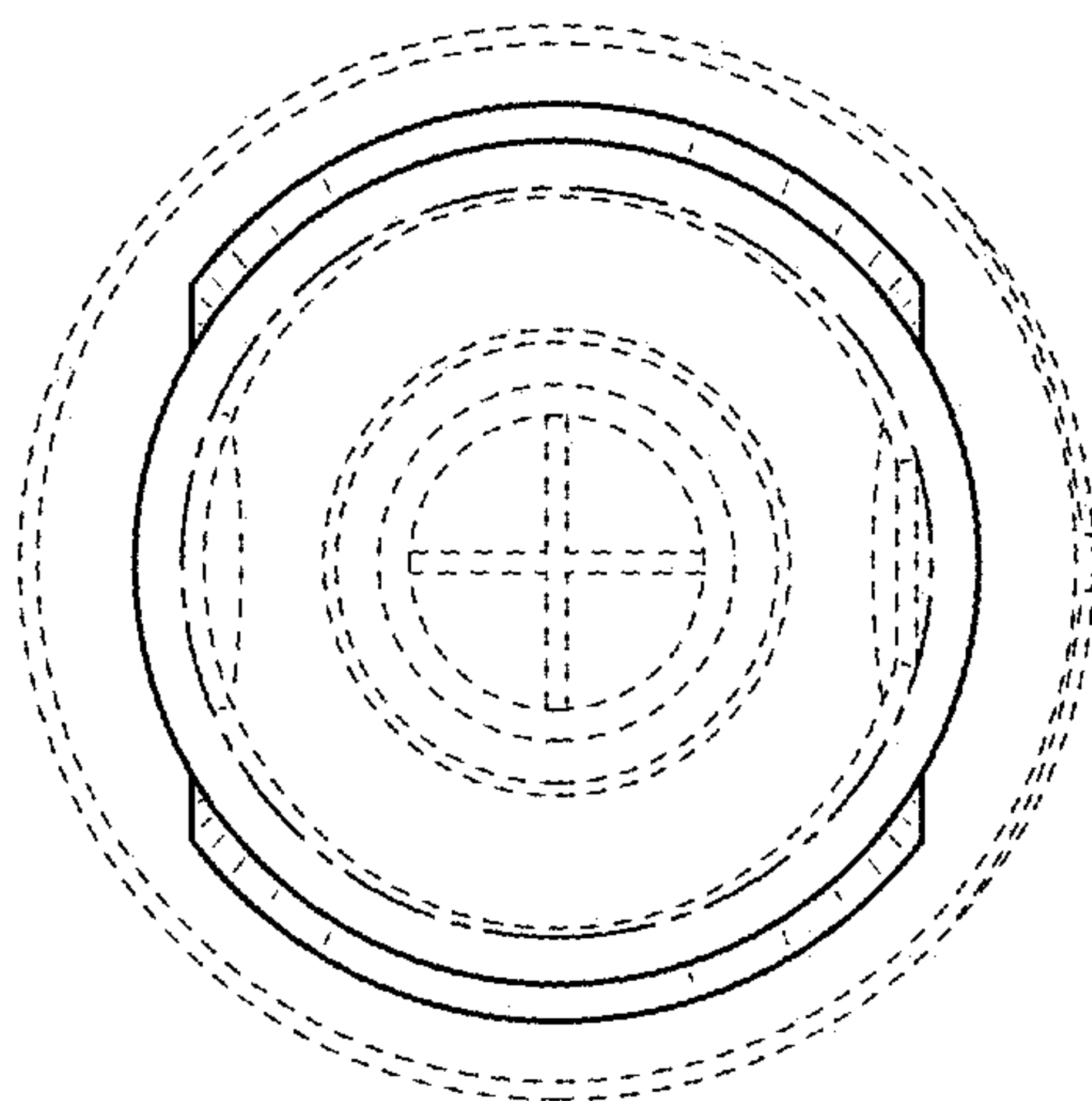


FIG. 5





**FIG. 6**



**FIG. 7**

UNITED STATES PATENT AND TRADEMARK OFFICE  
**CERTIFICATE OF CORRECTION**

PATENT NO. : D955,808 S  
APPLICATION NO. : 29/703257  
DATED : June 28, 2022  
INVENTOR(S) : Matthew T. Campbell

Page 1 of 6


It is certified that error appears in the above-identified patent and that said Letters Patent is hereby corrected as shown below:

On the Title Page

Delete the Title Page and substitute therefore with the attached title page consisting of the corrected illustrative figure(s).

In the Drawings

Please replace FIGS. 1-7 with FIGS. 1-7 as shown on the attached pages.

Signed and Sealed this  
Eleventh Day of October, 2022  
  
Katherine Kelly Vidal  
*Director of the United States Patent and Trademark Office*



(12) **United States Design Patent** (10) **Patent No.:** **US D955,808 S**  
**Campbell** (45) **Date of Patent:** **\*\* Jun. 28, 2022**

(54) **CAP**  
 (71) Applicant: **BottleKeeper, LLC**, Houston, TX (US)  
 (72) Inventor: **Matthew T. Campbell**, Cave Creek, AZ (US)  
 (73) Assignee: **BottleKeeper, LLC**, Houston, TX (US)  
 (\*\*) Term: **15 Years**  
 (21) Appl. No.: **29/703,257**  
 (22) Filed: **Aug. 26, 2019**  
 (51) **LOC (13) CL.** ..... **07-02**  
 (52) **U.S. CL.**  
 USPC ..... **D7/392.1; D9/452**  
 (58) **Field of Classification Search**  
 USPC ..... D9/434, 435, 439, 443, 446, 447, 449, D9/452, 454, 438, 440; D7/387, 391, D7/392, 392.1, 396.1, 396.2; D23/206, D23/259, 260; D24/129; D3/202, 203.2; D28/91, 91.1  
 CPC ..... B65D 81/3841; B65D 81/3839; B65D 41/0414; B65D 85/72; B65D 1/00; B65D 1/02; B65D 1/10; B65D 1/46; B65D 5/46; B65D 41/00; B65D 41/38; B65D 41/56; B65D 41/62; B65D 47/00; B65D 47/06; B65D 47/08; A61J 1/00  
 See application file for complete search history.

D216,386 S \* 12/1969 Suggs ..... D9/434  
 4,245,753 A 1/1981 Ellis  
 4,444,324 A 4/1984 Grenell  
 (Continued)

**FOREIGN PATENT DOCUMENTS**

CA 2956727 A1 \* 2/2016 ..... B65D 1/02  
 DE 4126215 A1 2/1993  
 (Continued)

**OTHER PUBLICATIONS**

Simple Modern Ascent Handle Lid: Announced Oct. 28, 2017 [online]. Site Visited [Jan. 28, 2022]. Available from Internet URL: <https://www.amazon.com/Simple-Modern-Ascent-Handle-Lid/dp/B076FHVZBH>.  
 (Continued)

*Primary Examiner* — Catherine S Posthauer  
 (74) *Attorney, Agent, or Firm* — Quarles & Brady LLP

**CLAIM**

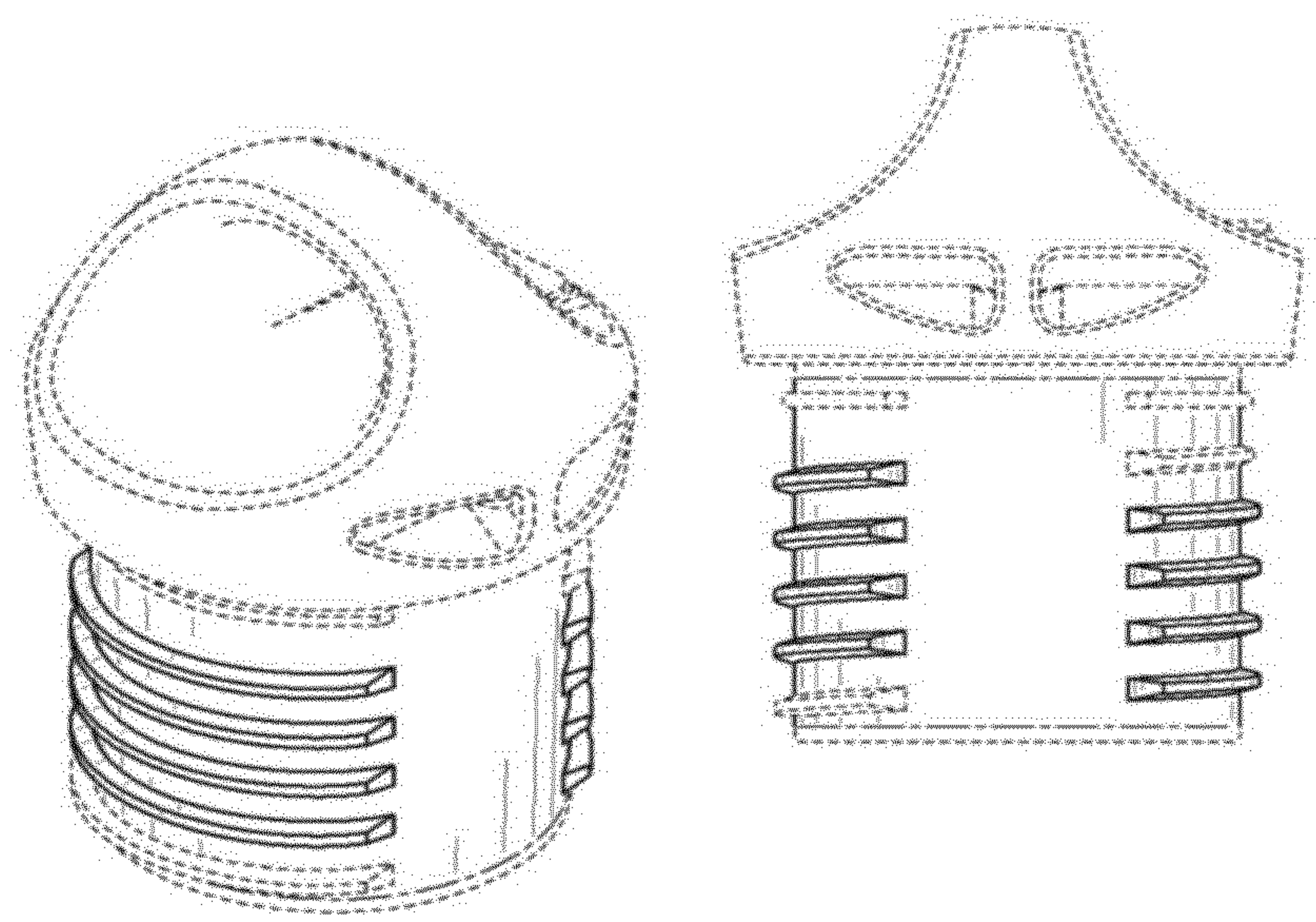
(57) The ornamental design for a cap, as shown and described.

**DESCRIPTION**

FIG. 1 is an isometric front, top, and left side view of a cap, showing my new design;  
 FIG. 2 is a front elevational view of the cap of FIG. 1;  
 FIG. 3 is a rear elevational view of the cap of FIG. 1;  
 FIG. 4 is a left side elevational view of the cap of FIG. 1;  
 FIG. 5 is a right side elevational view of the cap of FIG. 1;  
 FIG. 6 is a top plan view of the cap of FIG. 1; and  
 FIG. 7 is a bottom plan view of the cap of FIG. 1.  
 The evenly broken lines are shown for the purpose of illustrating parts of the article that form no part of the claimed design. The dot-dash lines represent the boundaries of the claim and form no part thereof.

**1 Claim, 4 Drawing Sheets**

(56) **References Cited**  
**U.S. PATENT DOCUMENTS**  
 441,228 A 11/1890 Cherbonnier  
 460,918 A 10/1891 Kraetz  
 2,163,568 A 6/1939 Peter  
 2,889,065 A 6/1959 Lawlor  
 2,963,187 A 12/1960 Carl  
 3,120,319 A 2/1964 Buddrus  
 3,229,840 A 1/1966 Albert  
 3,308,980 A 3/1967 Taylor  
 3,335,891 A 8/1967 Bailey



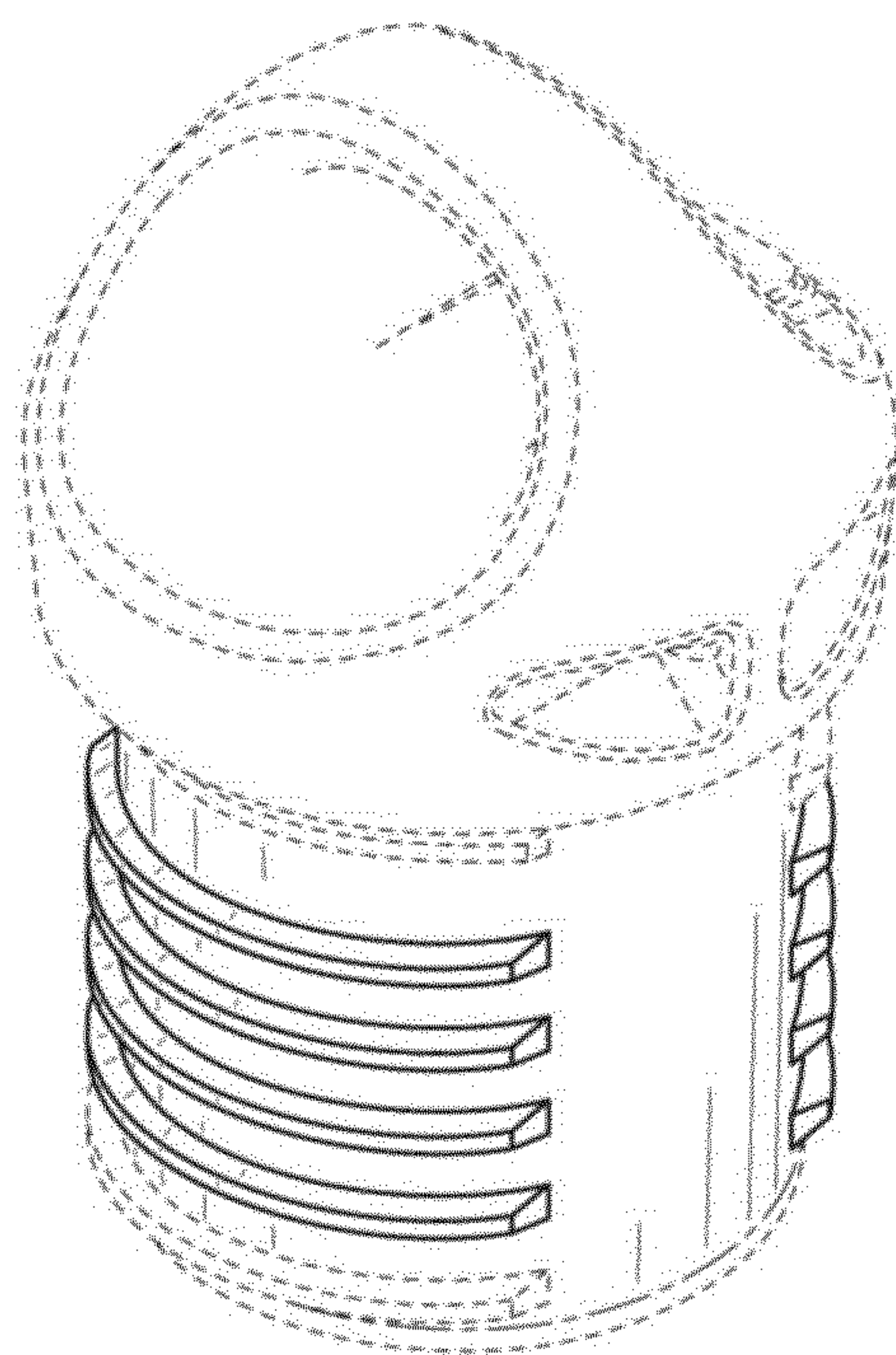


FIG. 1



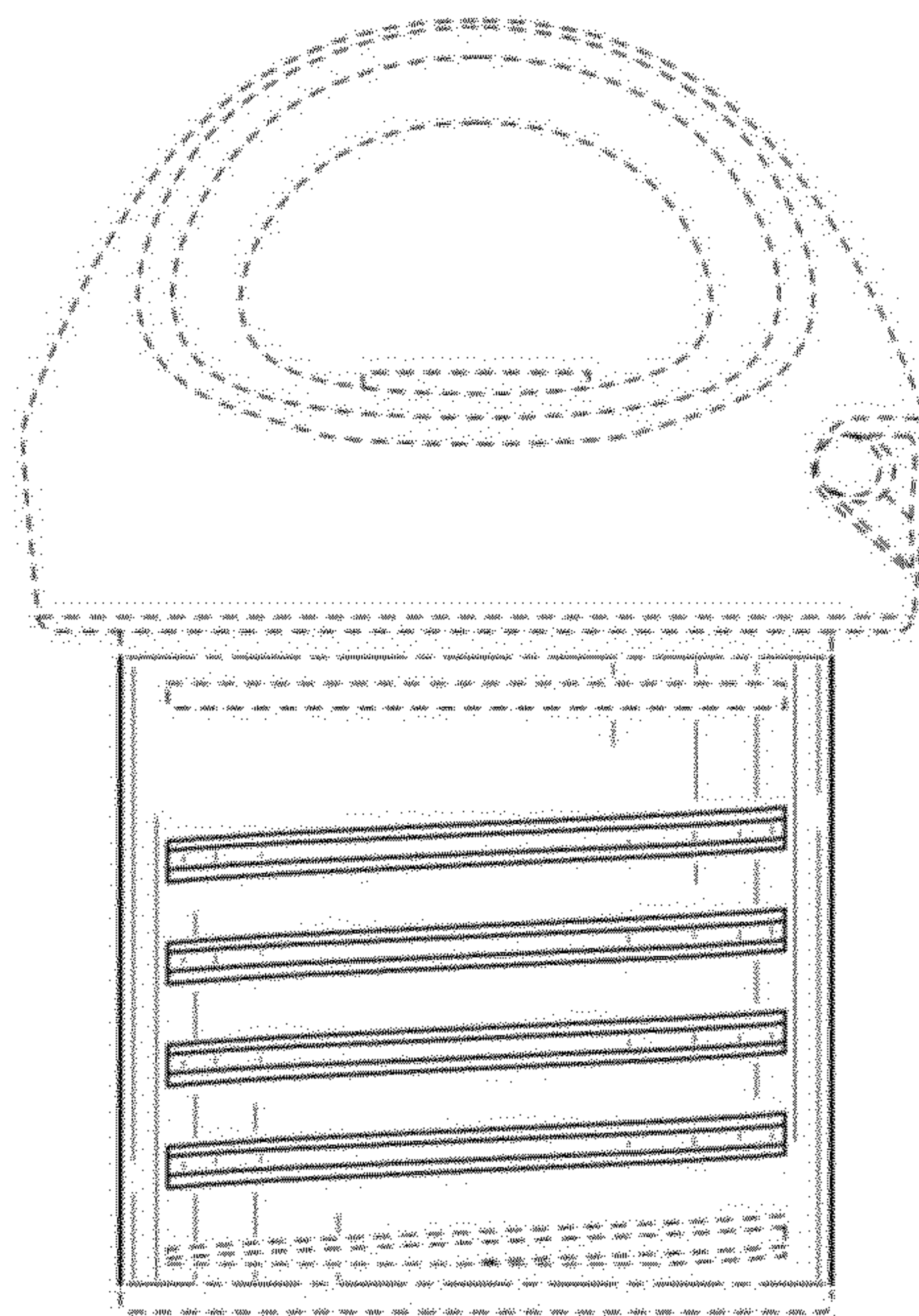


FIG. 2

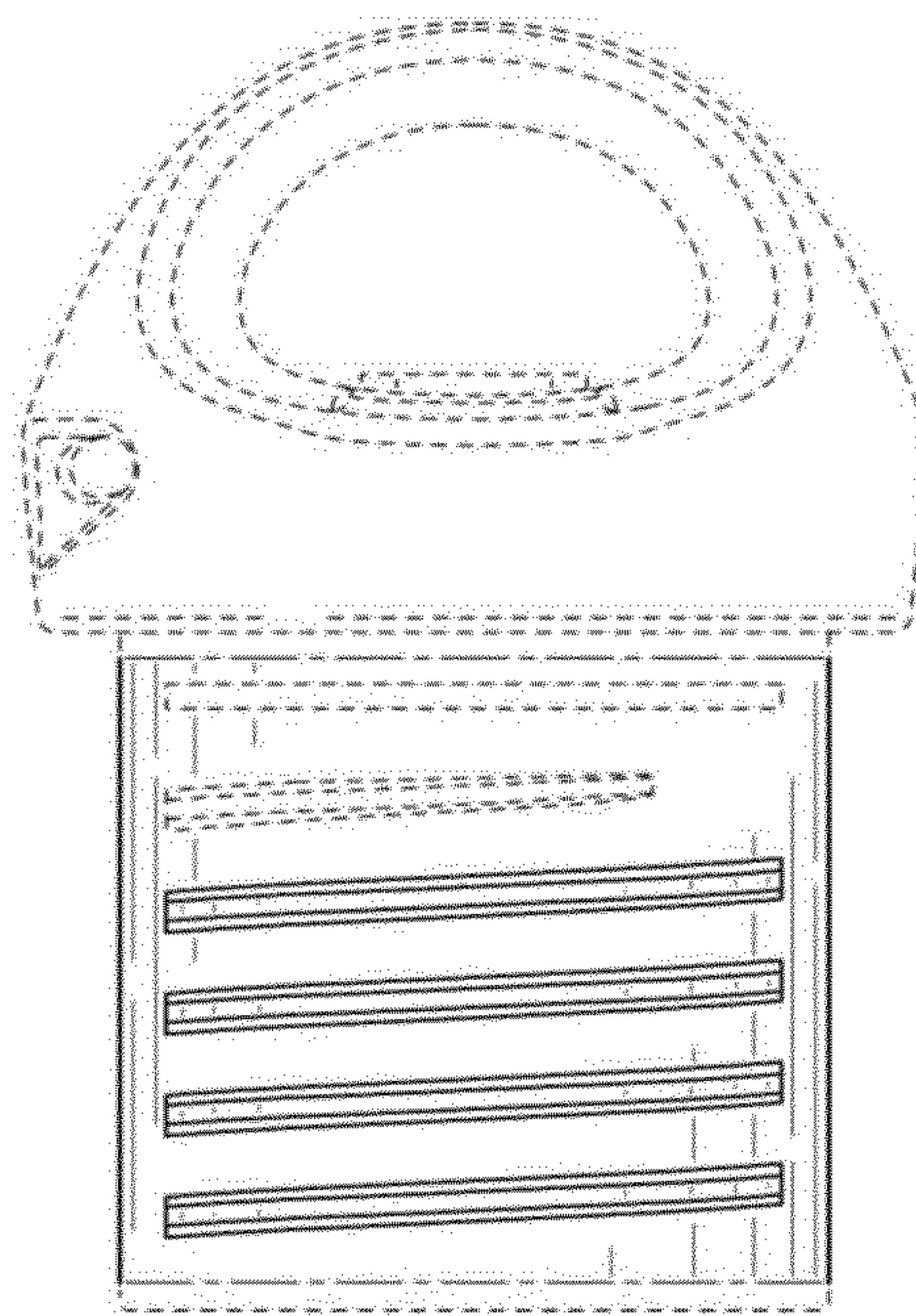


FIG. 3



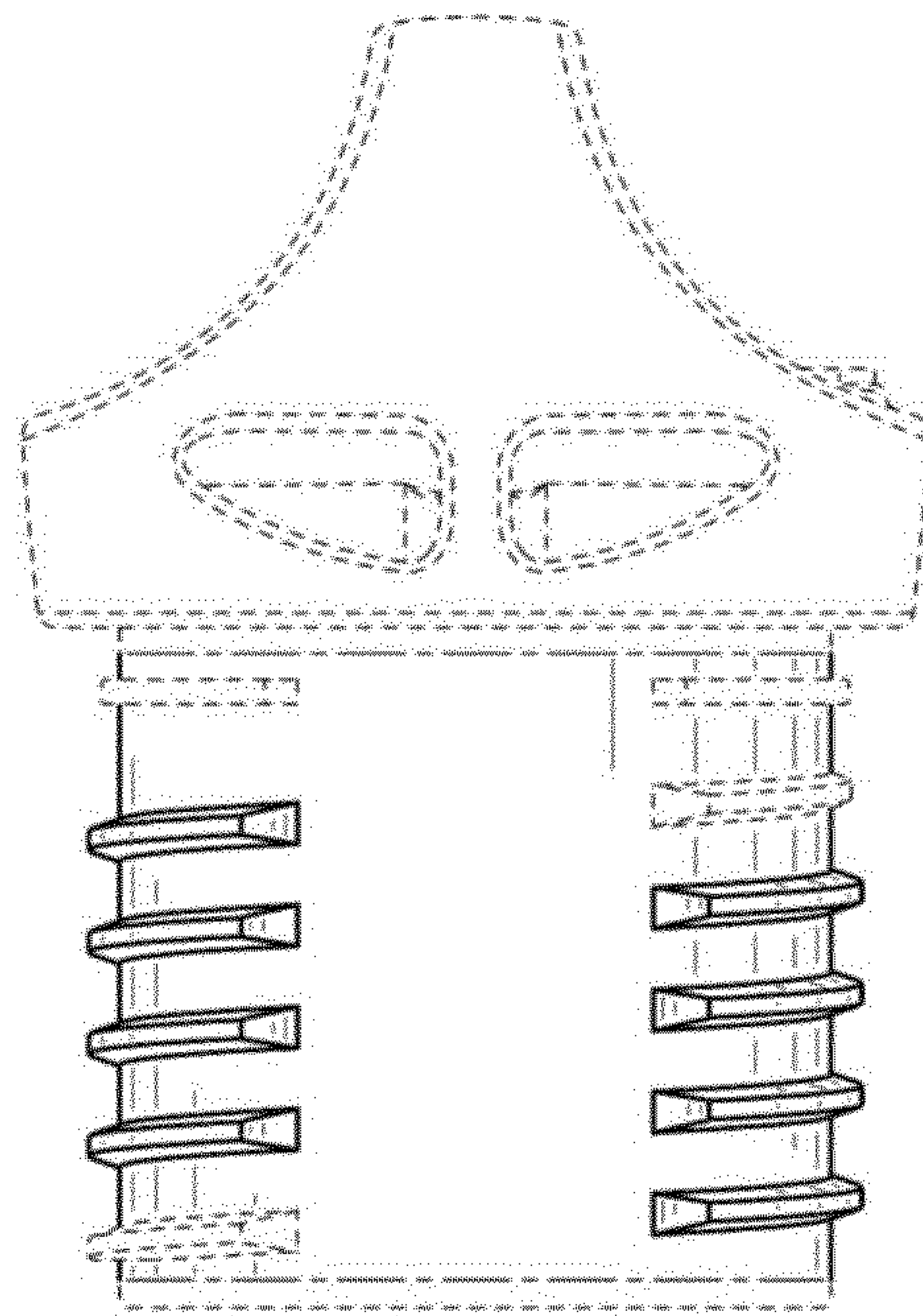


FIG. 4

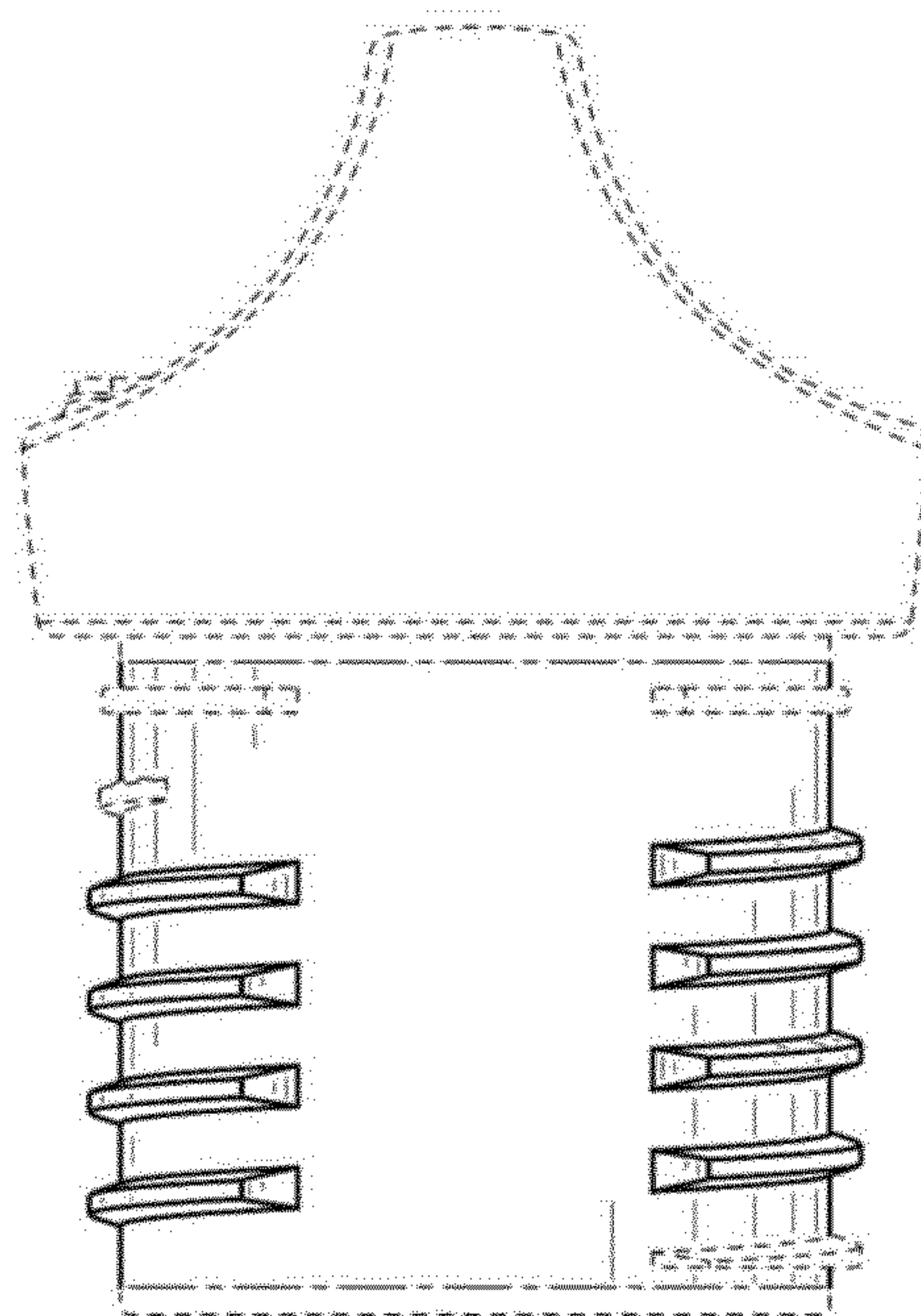


FIG. 5

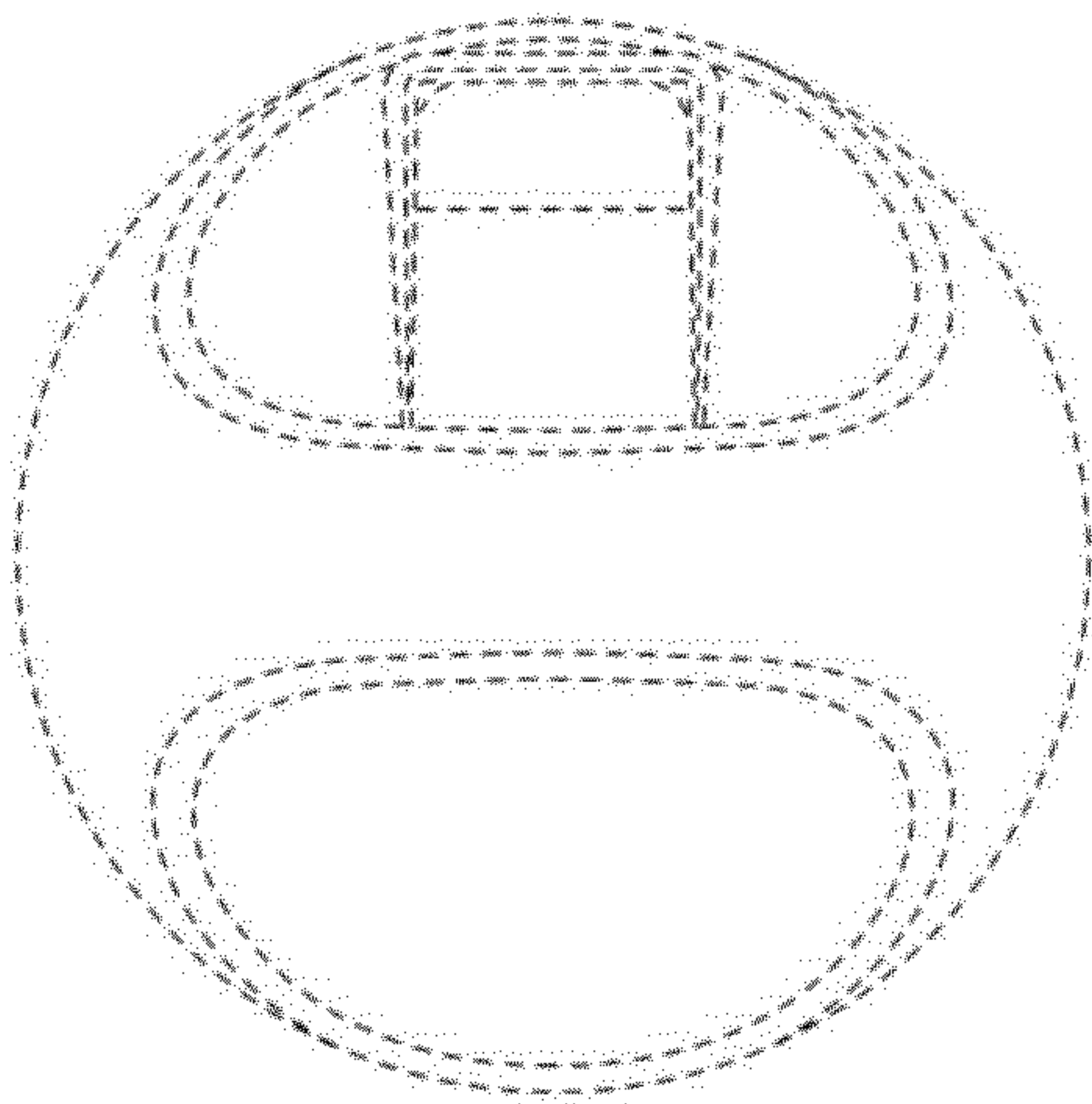


FIG. 6

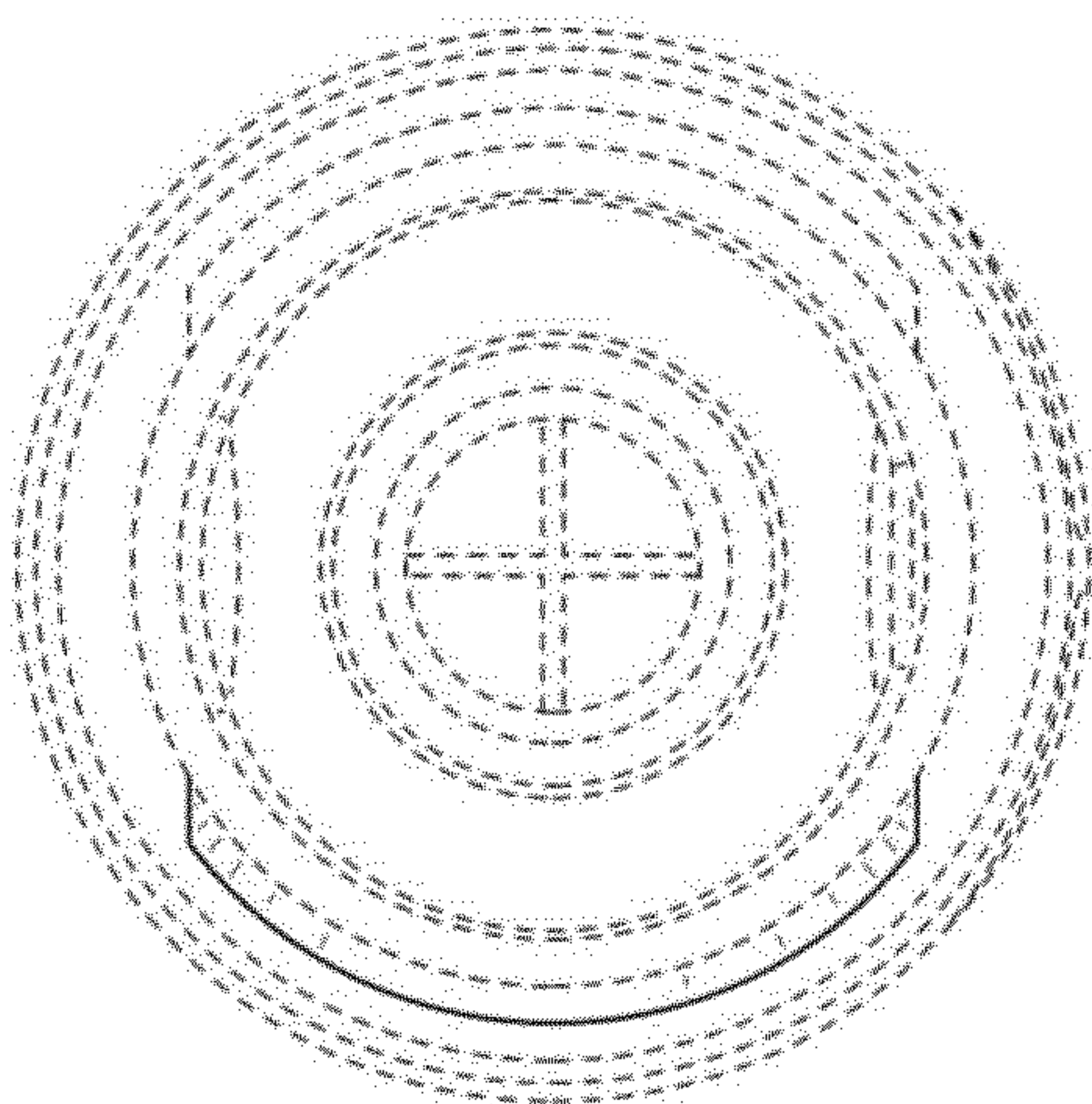


FIG. 7