



US00D955807S

(12) **United States Design Patent** (10) **Patent No.:** **US D955,807 S**
Sill (45) **Date of Patent:** **** *Jun. 28, 2022**

(54) **CONTAINER LID**

(56)

References Cited

(71) Applicant: **Inno-Pak, LLC**, Delaware, OH (US)

U.S. PATENT DOCUMENTS

(72) Inventor: **Jonathan D. Sill**, Delaware, OH (US)

(73) Assignee: **Inno-Pak, LLC**, Delaware, OH (US)

(*) Notice: This patent is subject to a terminal disclaimer.

(**) Term: **15 Years**

(21) Appl. No.: **29/656,462**

(22) Filed: **Jul. 12, 2018**

(51) **LOC (13) Cl.** **07-99**

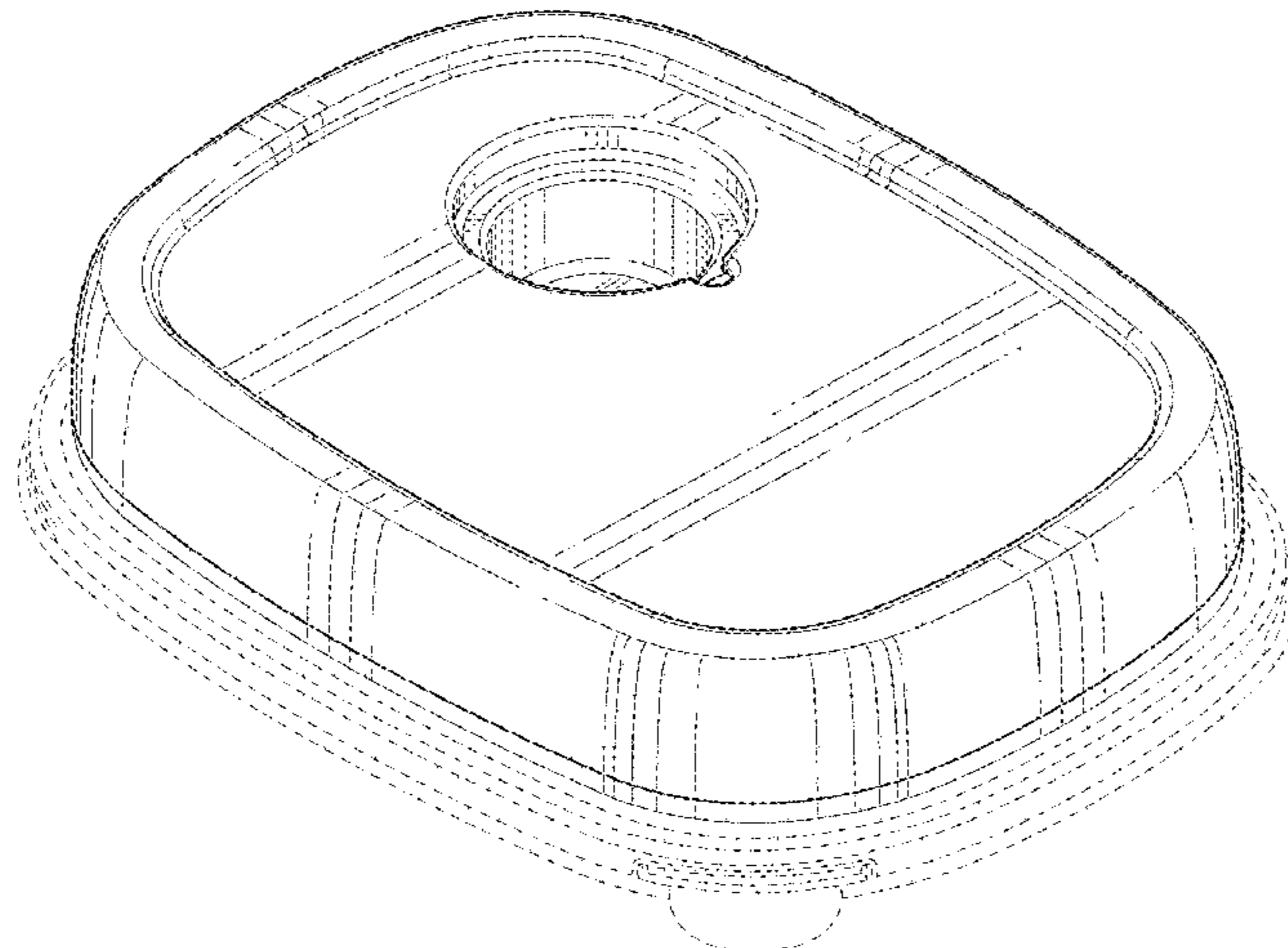
(52) **U.S. Cl.**
USPC **D7/392.1**

(58) **Field of Classification Search**

USPC D9/14, 432, 433, 434, 435, 449, 499,
D9/601, 612, 702, 703, 711, 713,
D9/721-722, 730, 414, 416, 420, 436,
D9/440, 445, 446, 450, 454, 455, 707,
D9/708, 709, 715, 720, 734; D24/127,
D24/188, 217; D28/73, 76, 78, 82, 83,
D28/91; D6/512, 515-523; D3/294, 302,
D3/318; D7/392.1, 392, 601, 602, 629,
D7/701, 703, 707, 708
CPC A47K 10/18; A47K 10/421; A47K
2010/3233; A47K 2010/3266; B65D
2251/1016; B65D 75/5838; B65D 85/00;
B65D 81/00; B65D 81/22; B65D 81/26;
B65D 83/0805; B65D 51/00; B65D
71/00; B65D 5/00; B65D 5/001; B65D
5/0015; B65D 5/0227-0254; B65D 5/18;
B65D 5/38; B65D 5/40; B65D 5/2033;
B65D 5/40024; B65D 5/6605; A47J
47/14

1,369,999 A	3/1921	Hector
2,301,510 A	11/1942	Bolen
2,740,349 A	4/1956	De Gonia
3,565,245 A	2/1971	Asher
3,624,787 A	11/1971	Newman
3,679,093 A	7/1972	Chang
3,954,178 A	5/1976	Mason, Jr.
3,955,742 A	5/1976	Marshall
D242,108 S	11/1976	Dart
4,232,785 A	11/1980	Lucas
4,270,660 A	6/1981	Putt
4,300,700 A	11/1981	Chang
D266,818 S	11/1982	Trombly
D282,338 S	1/1986	Putt
4,572,423 A	2/1986	Spencer
4,603,825 A	8/1986	Kotliar
4,896,820 A	1/1990	Harrington
4,903,848 A	2/1990	Chatman
4,930,637 A	6/1990	DeRoseau
5,005,704 A	4/1991	Martin
D318,985 S	8/1991	Szablak
D323,616 S	2/1992	Mueller
5,275,281 A	1/1994	Ebeling
5,301,697 A	4/1994	Gueret
D350,046 S	8/1994	Zimmerman
5,705,212 A	1/1998	Atkinson
5,971,168 A	10/1999	Proulx
6,003,710 A	12/1999	Huang
D418,716 S	1/2000	Haley
D419,371 S	1/2000	Haley
6,273,278 B1	8/2001	Enyedy
D448,288 S	9/2001	Zettle
D452,155 S	12/2001	Stodd
6,354,433 B1	3/2002	Mattes
6,412,653 B1	7/2002	Waterhouse
D465,382 S	11/2002	Wolf
6,604,645 B1	8/2003	Vaupotic
D480,264 S	10/2003	de Groote
6,688,469 B1	2/2004	Barnes
D491,455 S	6/2004	Li
6,840,395 B2	1/2005	Agarwal
D502,050 S	2/2005	Munson
7,017,774 B2	3/2006	Haedt
D531,054 S	10/2006	Sagel
D549,050 S	8/2007	Spencer

See application file for complete search history.



D550,503 S	9/2007	Liu	
D551,496 S	9/2007	Ablo	
D563,166 S	3/2008	Woolfolk	
D563,785 S	3/2008	Maki	
D564,287 S	3/2008	Bouveret	
D653,907 S	2/2012	Backaert	
D660,659 S	5/2012	Cohen	
D687,705 S	8/2013	Krupa	
D688,091 S	8/2013	Golota	
D694,062 S	11/2013	Andres	
D694,063 S	11/2013	Andres	
8,985,382 B2	3/2015	Vernon	
D736,616 S	8/2015	Suen	
D741,642 S	10/2015	Yessin	
D748,498 S	2/2016	Pipes	
D752,978 S	4/2016	Zabeleta	
D759,427 S	6/2016	Wiggins	
D769,132 S	10/2016	Tilahun	
D771,432 S	11/2016	Affatato	
D772,002 S	11/2016	Affatato	
D789,784 S	6/2017	Hendricks	
D792,760 S	7/2017	Foster	
D794,444 S	8/2017	Chen	
D795,069 S	8/2017	Haddad	
D795,070 S	8/2017	Haddad	
D796,908 S	9/2017	Dennis	
D801,176 S	10/2017	Lynd	
D803,677 S	11/2017	Yang	
D809,335 S	2/2018	Bouveret	
D814,922 S	4/2018	Magana	
D835,455 S *	12/2018	Sedgwick	D7/392.1
D835,456 S *	12/2018	Sedgwick	D7/392.1
D835,457 S *	12/2018	Sedgwick	D7/392.1
D835,458 S *	12/2018	Sedgwick	D7/392.1
D835,459 S *	12/2018	Sedgwick	D7/392.1
D862,230 S *	10/2019	Hatcher	D9/456
2004/0035867 A1	2/2004	Schultz	
2012/0031901 A1	2/2012	Dudson	
2012/0138608 A1	6/2012	Rusnak	
2014/0021206 A1	1/2014	Vernon	
2014/0238982 A1	8/2014	Dabney-Wiggs	

FOREIGN PATENT DOCUMENTS

GB 2154993 A 9/1985

OTHER PUBLICATIONS

Eco Fun Bento Box Lunch Box: Announced [Aug. 12, 2012 (online)]. Site viisited [Mar. 27, 2020. Available from Internet URL: <https://rockinmama.net/eco-fun-with-bento-lunch-box-solutions-for-kids/>.*

Tupperware Salad To Go Lunch Set Bowl: Announced Nov. 23, 2011 (Online)]. Site Visited [Mar. 27, 2020]. Available from Internet URL: https://www.amazon.com/Tupperware-Salad-Utensils-Dressing-Container/dp/B004G1CVJW/ref=cm_cr_arp_d_product_top?ie=UTF8.*

* cited by examiner

Primary Examiner — Catherine S Posthauer
(74) Attorney, Agent, or Firm — Ward and Smith, P.A.;
Ryan K. Simmons

(57) CLAIM

The ornamental design for a container lid, as shown and described.

DESCRIPTION

FIG. 1 is a top perspective view of a first embodiment of a container lid showing my new design;

FIG. 2 is a top plan view thereof;
FIG. 3 is a bottom plan view thereof;
FIG. 4 is a front elevation view thereof;
FIG. 5 is a rear elevation view thereof;
FIG. 6 is a left side elevation view thereof;
FIG. 7 is a right side elevation view thereof;
FIG. 8 is a top perspective view of a second embodiment of a container lid showing my new design;
FIG. 9 is a top plan view thereof;
FIG. 10 is a bottom plan view thereof;
FIG. 11 is a left side elevation view thereof, the right side view being the same;
FIG. 12 is a top perspective view of a third embodiment of a container lid showing my new design;
FIG. 13 is a top plan view thereof;
FIG. 14 is a bottom plan view thereof;
FIG. 15 is a front elevation view thereof, the rear view being the same;
FIG. 16 is a left side elevation view thereof, the right side view being the same;
FIG. 17 is a top perspective view of a fourth embodiment of a container lid showing my new design;
FIG. 18 is a top plan view thereof;
FIG. 19 is a bottom plan view thereof;
FIG. 20 is a front elevation view thereof, the rear view being the same;
FIG. 21 is a top perspective view of a fifth embodiment of a container lid showing my new design;
FIG. 22 is a top plan view thereof;
FIG. 23 is a bottom plan view thereof;
FIG. 24 is a front elevation view thereof;
FIG. 25 is a rear elevation view thereof;
FIG. 26 is a left side elevation view thereof;
FIG. 27 is a right side elevation view thereof;
FIG. 28 is a top perspective view of a sixth embodiment of a container lid showing my new design;
FIG. 29 is a top plan view thereof;
FIG. 30 is a bottom plan view thereof;
FIG. 31 is a front elevation view thereof;
FIG. 32 is a rear elevation view thereof;
FIG. 33 is a top perspective view of a seventh embodiment of a container lid showing my new design;
FIG. 34 is a top plan view thereof;
FIG. 35 is a bottom plan view thereof;
FIG. 36 is a front elevation view thereof;
FIG. 37 is a rear elevation view thereof;
FIG. 38 is a left side elevation view thereof; and,
FIG. 39 is a right side elevation view thereof.
Front and rear views of the container lids have been omitted from the second embodiment, as they are identical to the front and rear views of the article as shown in FIGS. 4-5, respectively, of the first embodiment. Left and right side views of the container lid have been omitted from the fourth embodiment, as they are identical to the left and right side views of the container lid as shown in FIGS. 6-7, respectively, of the first embodiment. Left and right side views of the container lid have been omitted from the sixth embodiment, as they are identical to the left and right side views of the container lid as shown in FIGS. 26-27, respectively. The broken lines are shown for the purpose of illustrating parts of the article that form no part of the claim. The dot-dash lines represent the boundaries of the claim and form no part thereof.

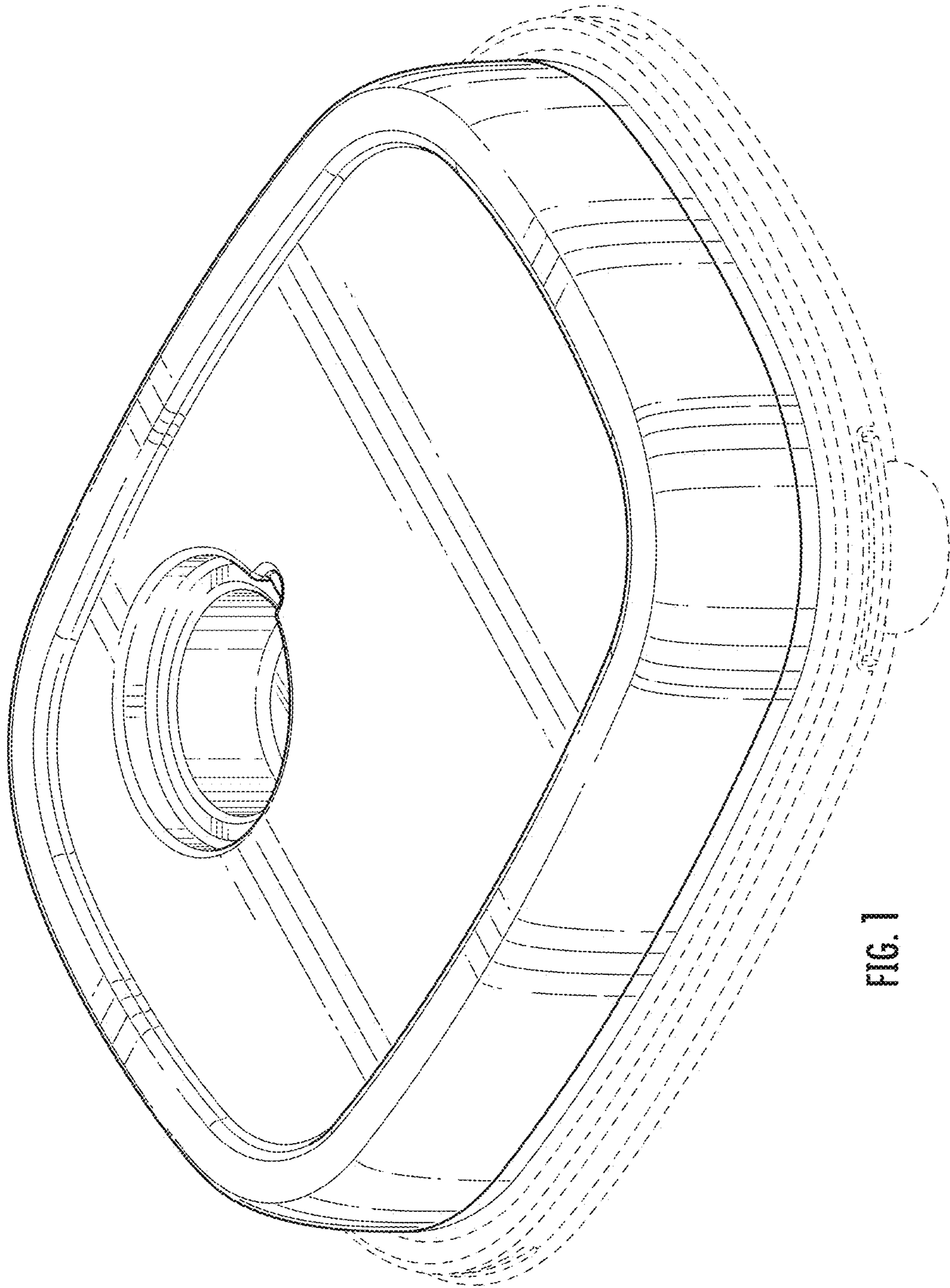


FIG. 1

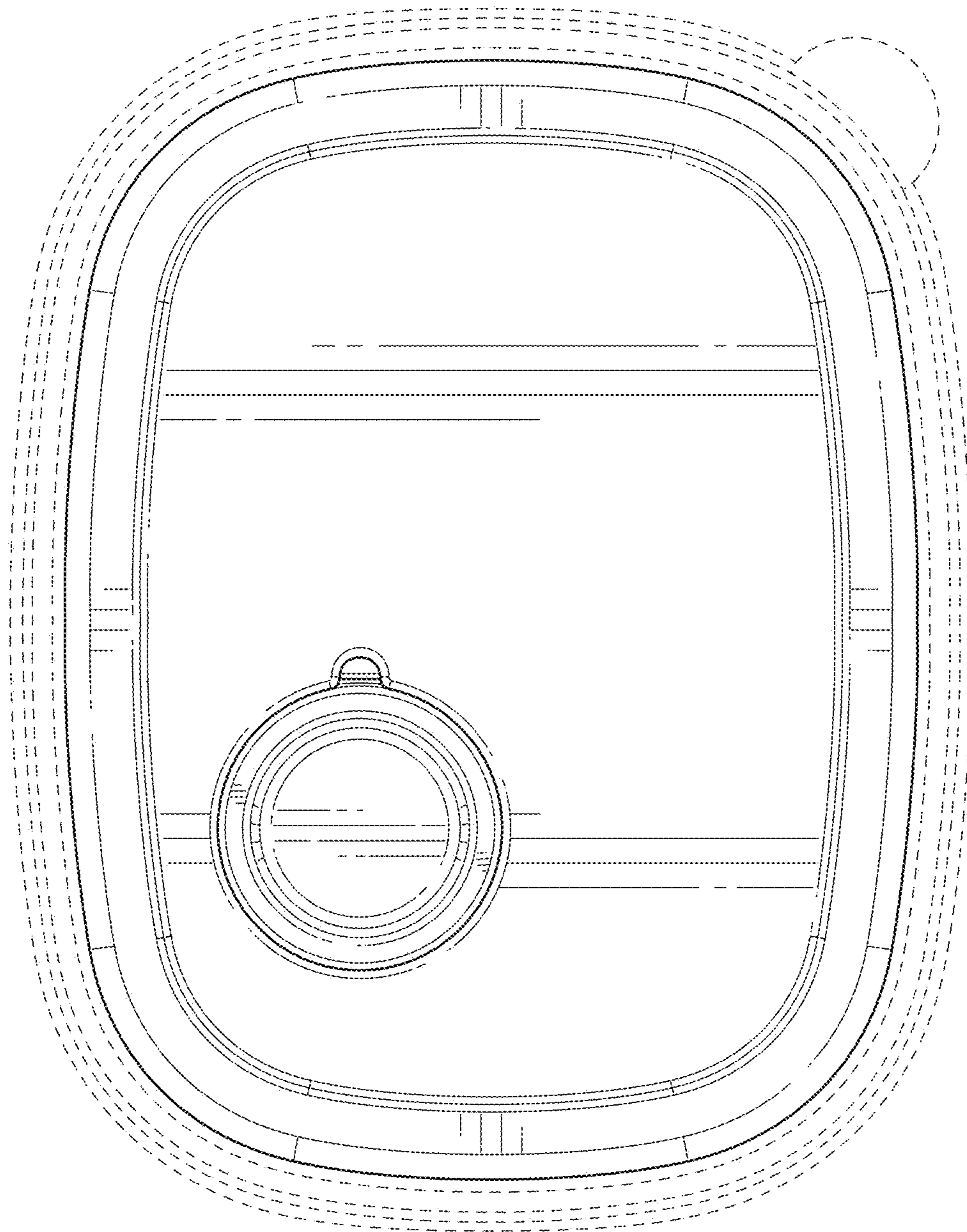


FIG. 2

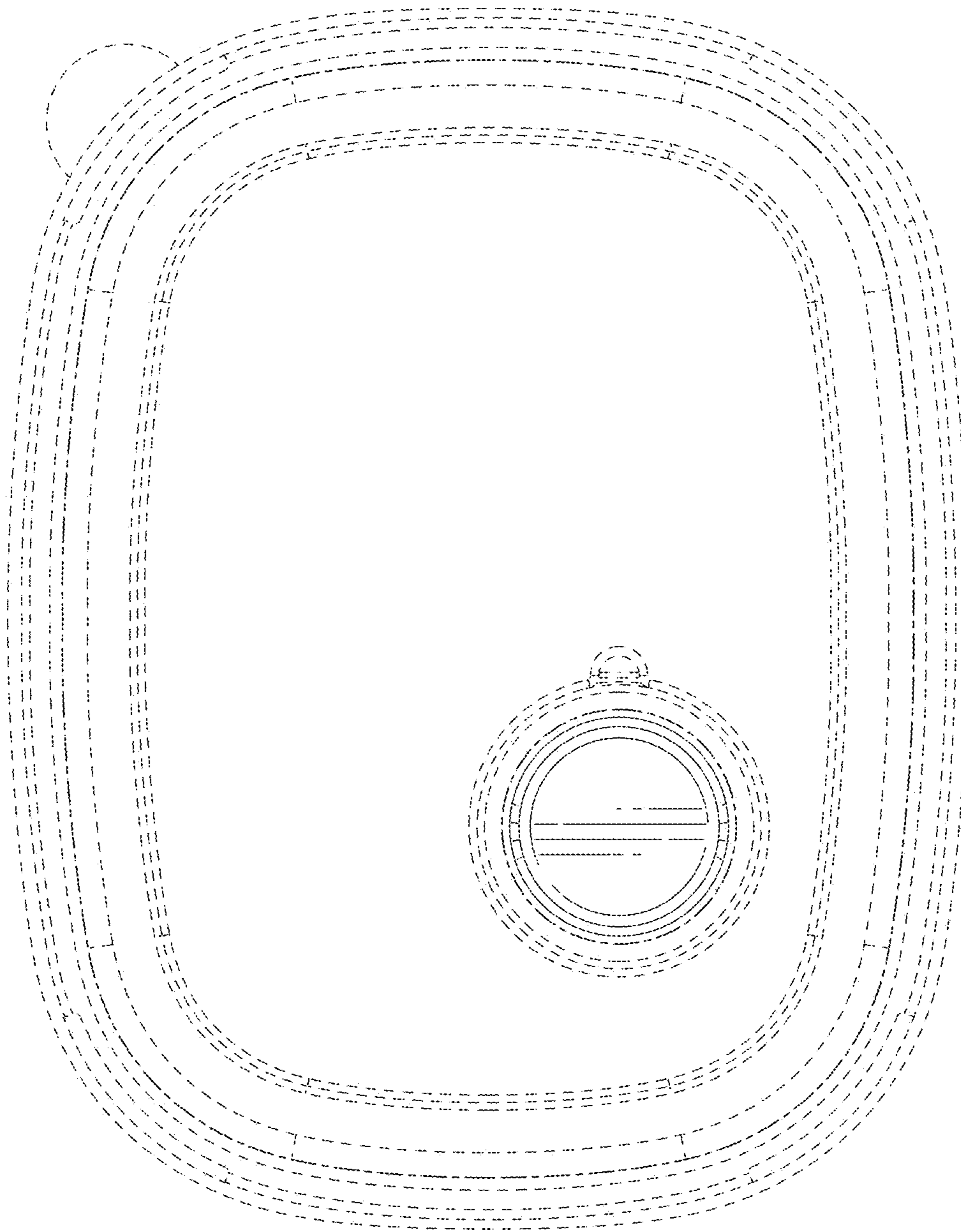


FIG. 3

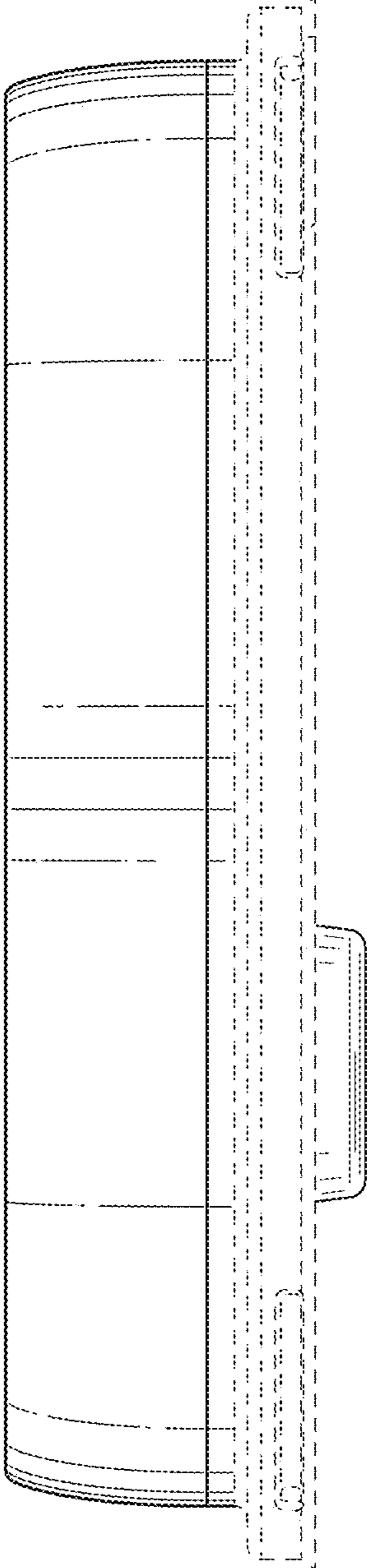


FIG. 4

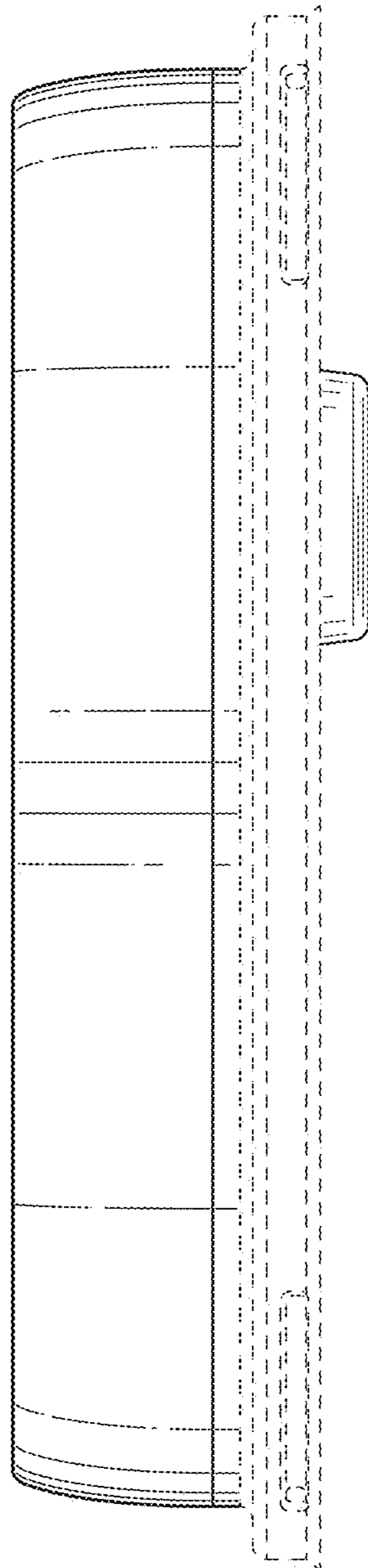


FIG. 5

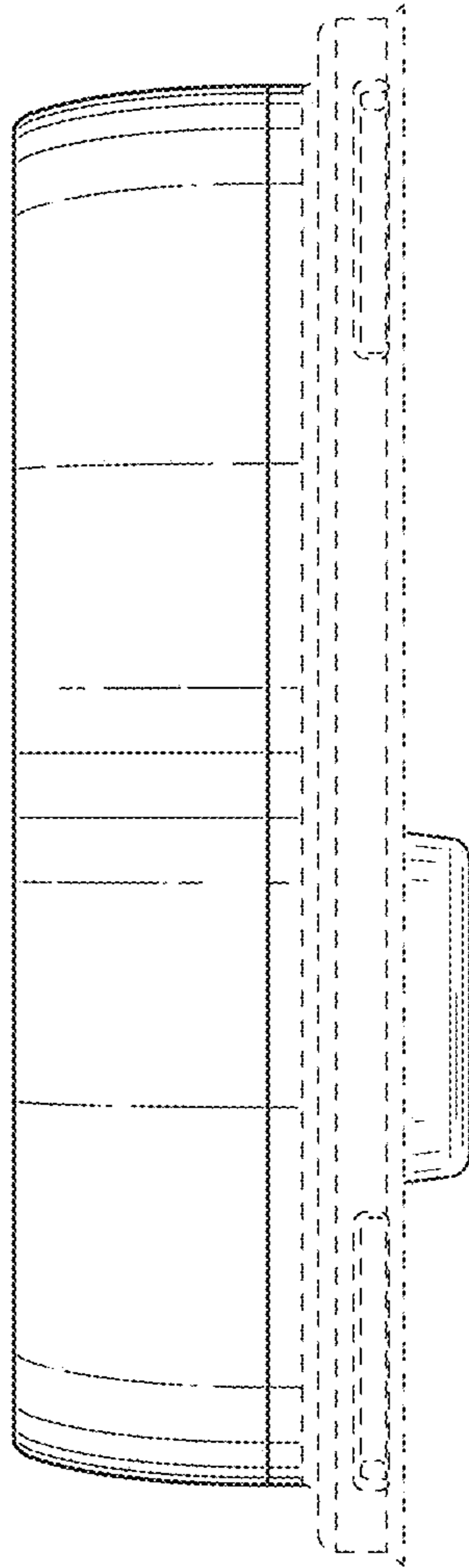


FIG. 6

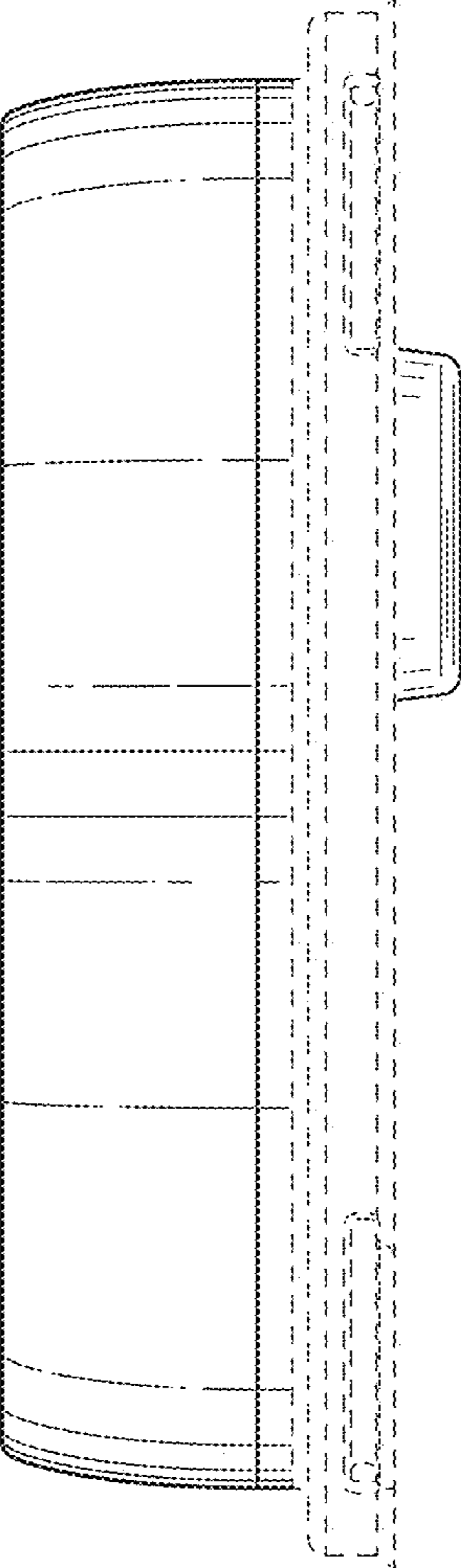


FIG. 7

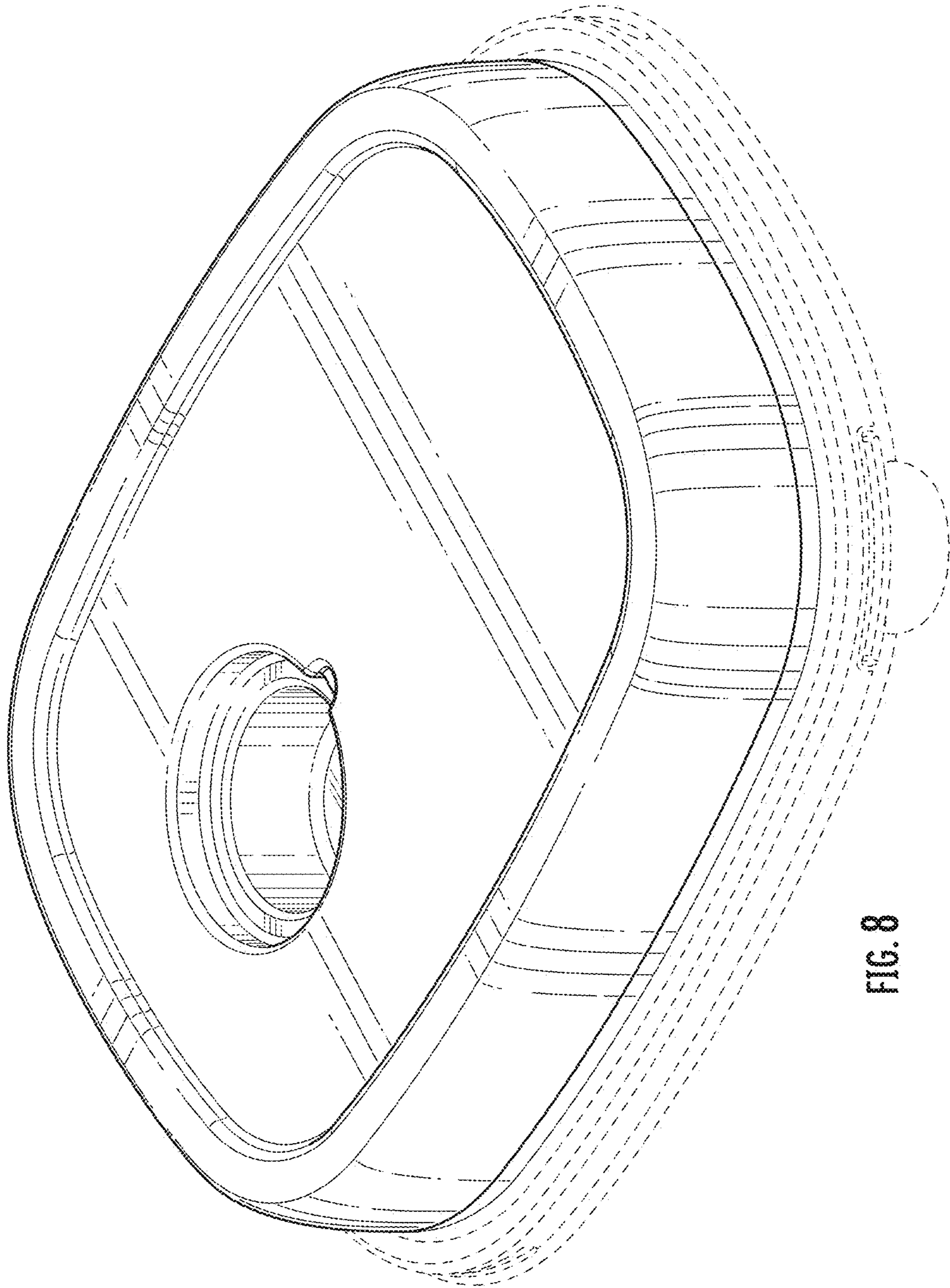


FIG. 8

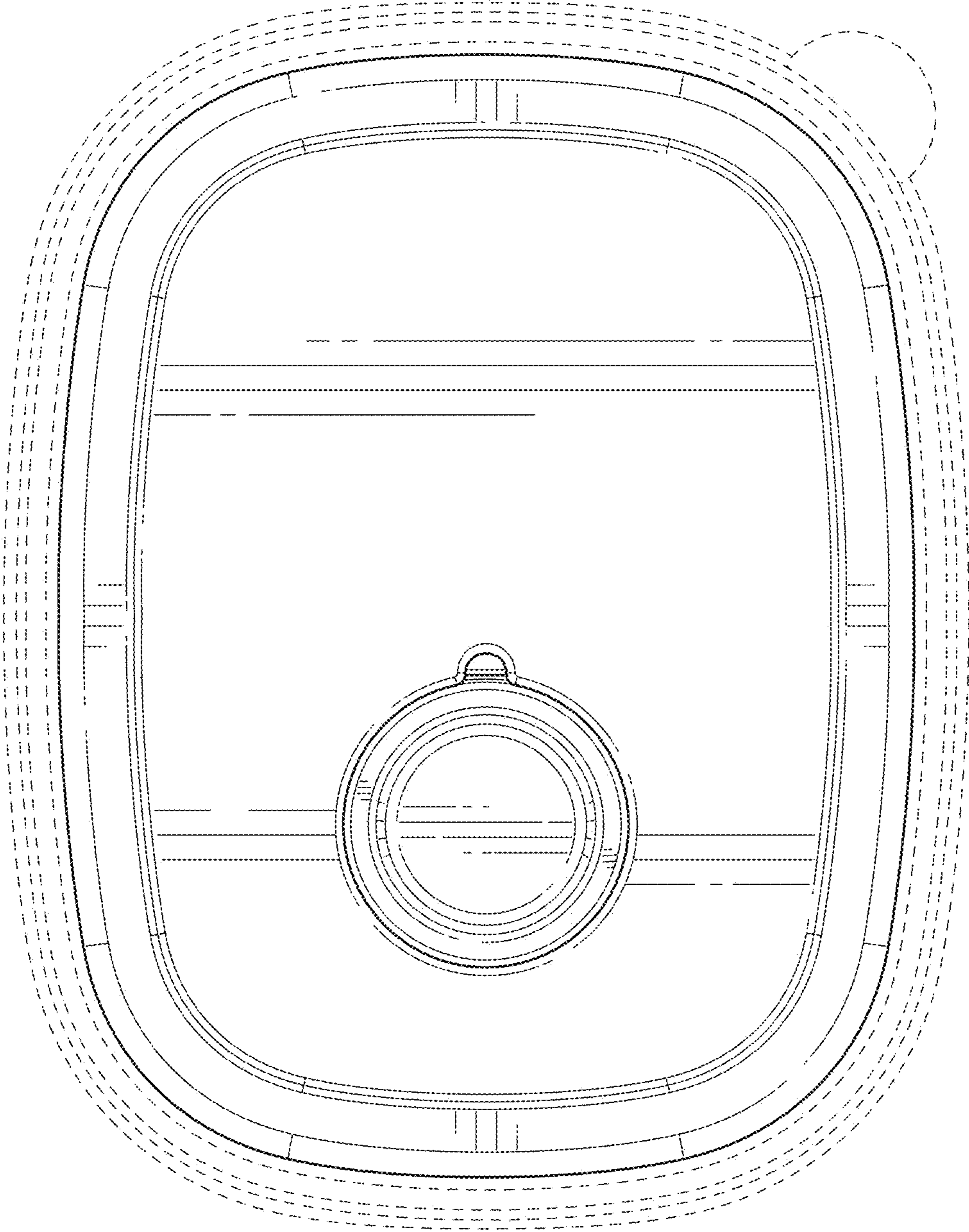


FIG. 9

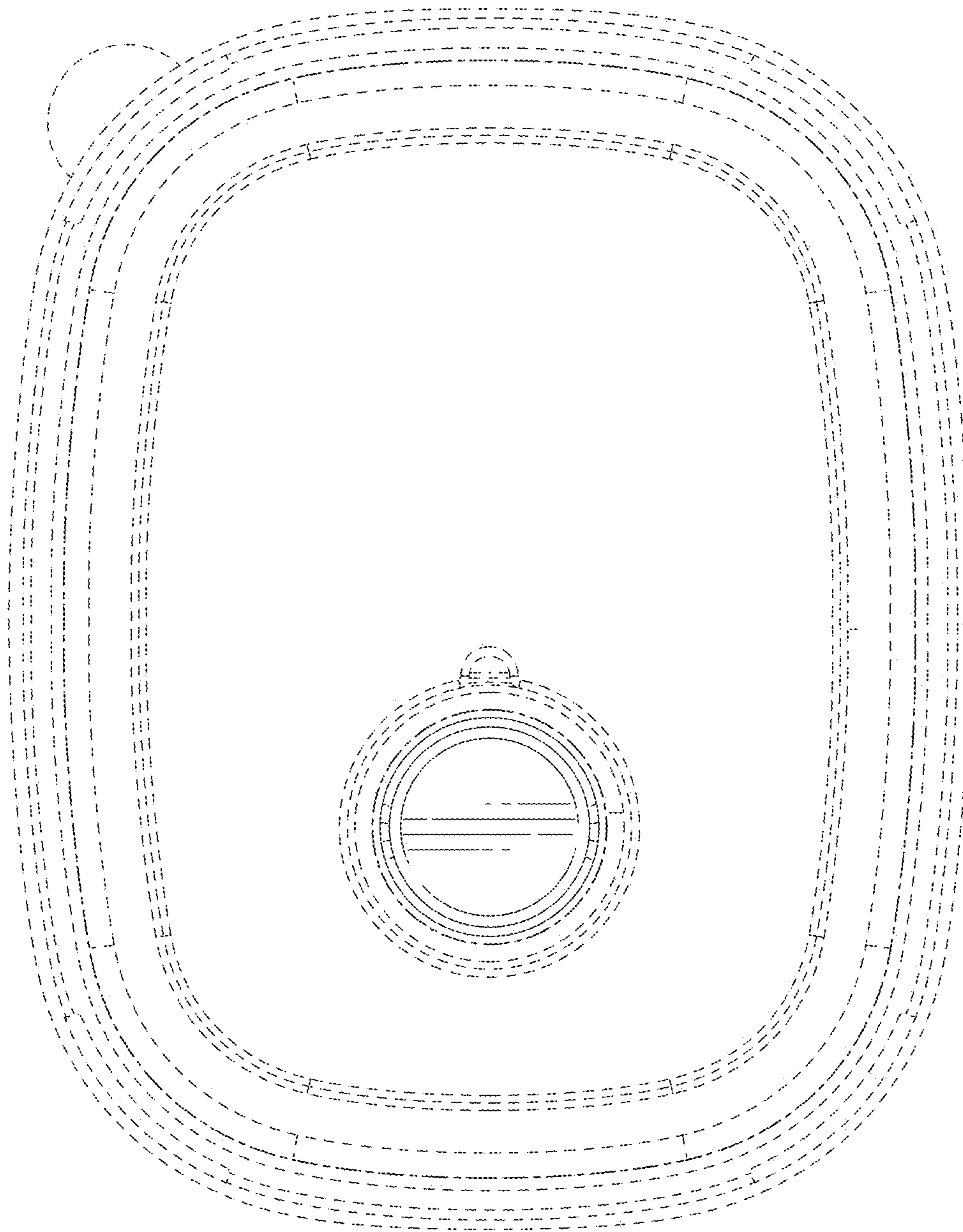


FIG. 10

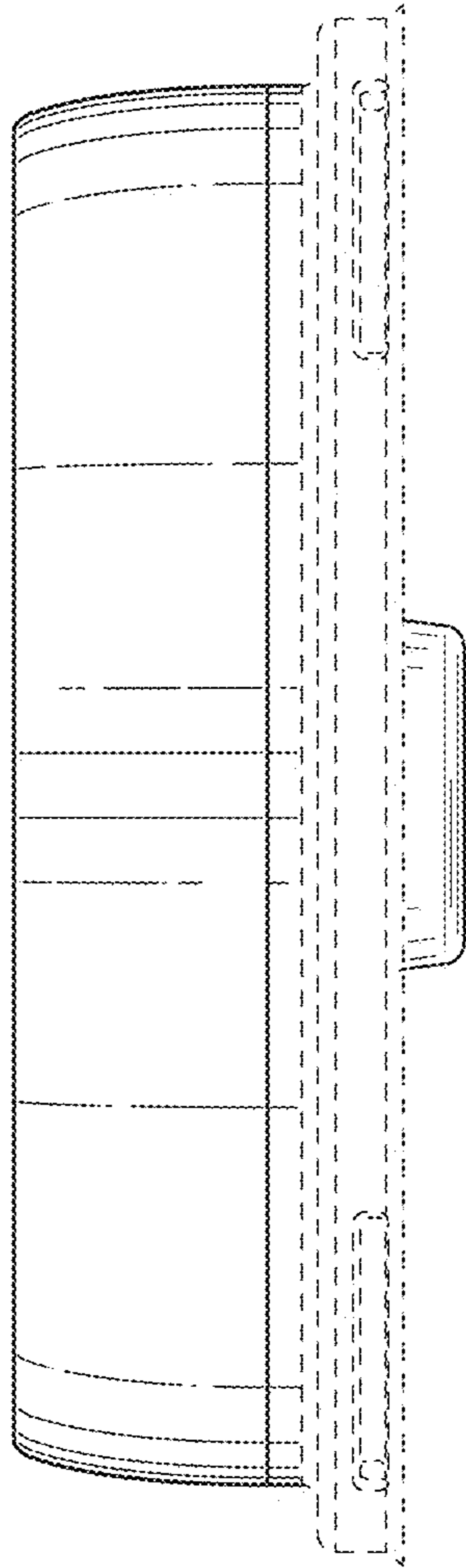


FIG. 11

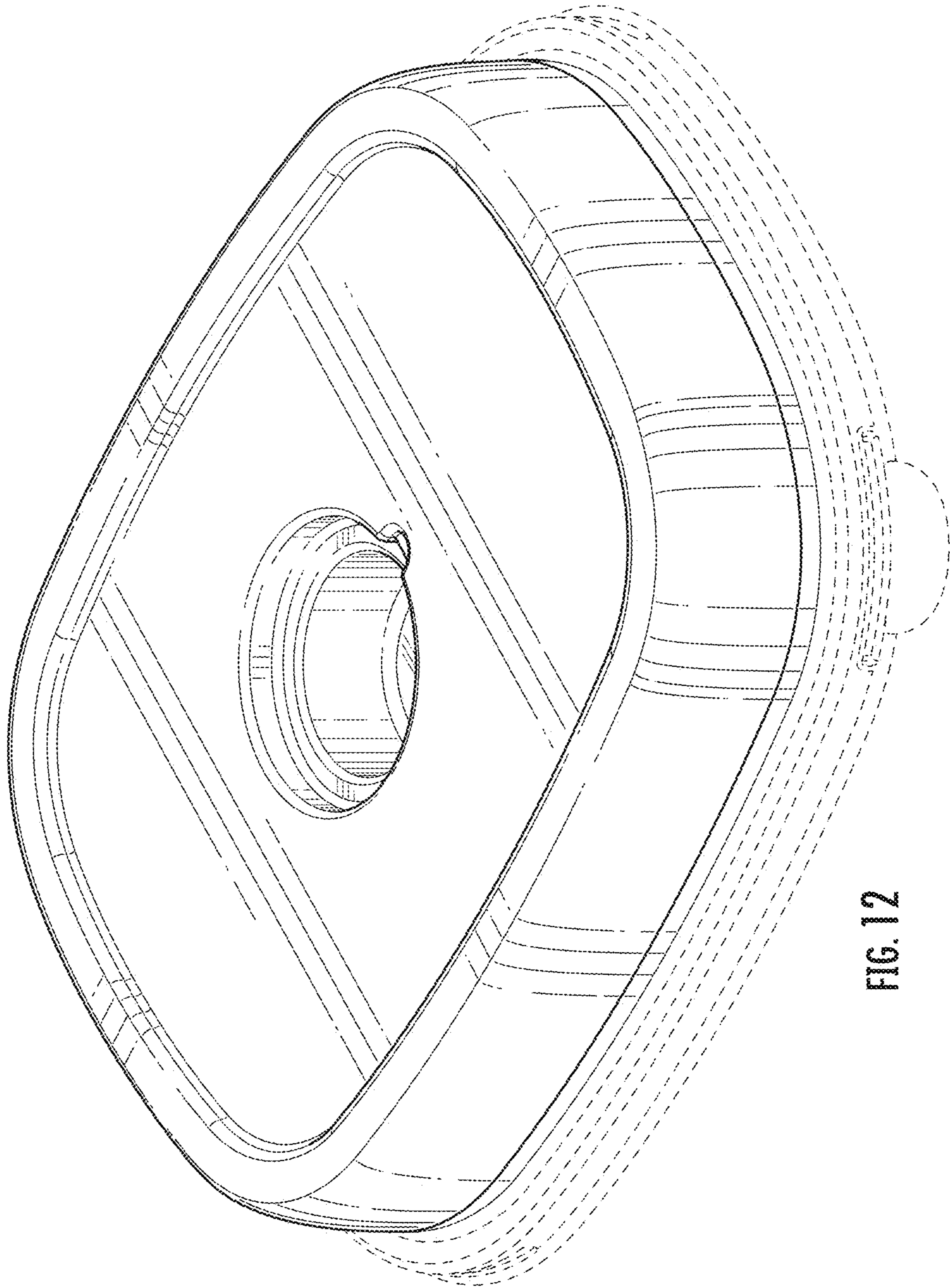


FIG. 12

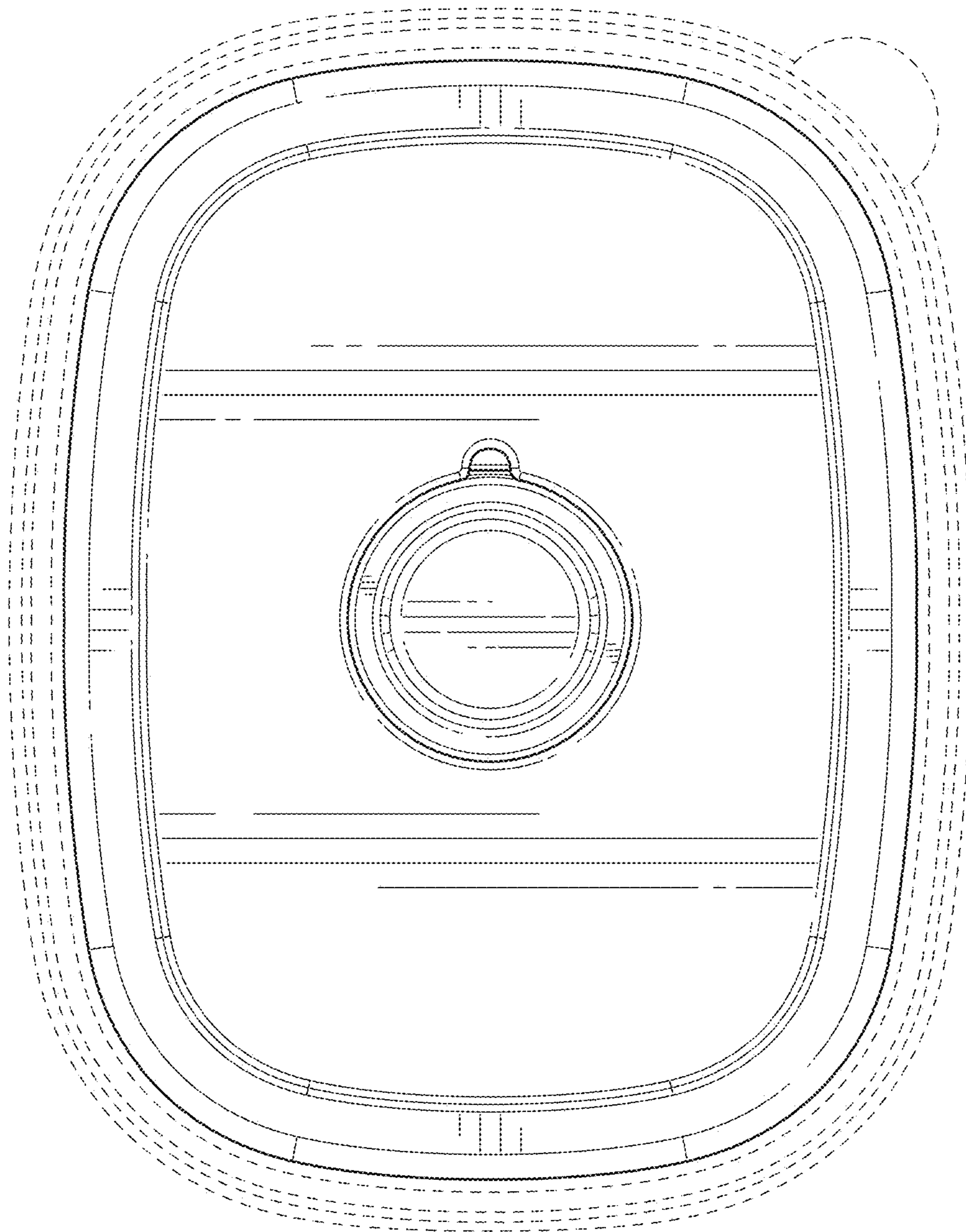


FIG. 13

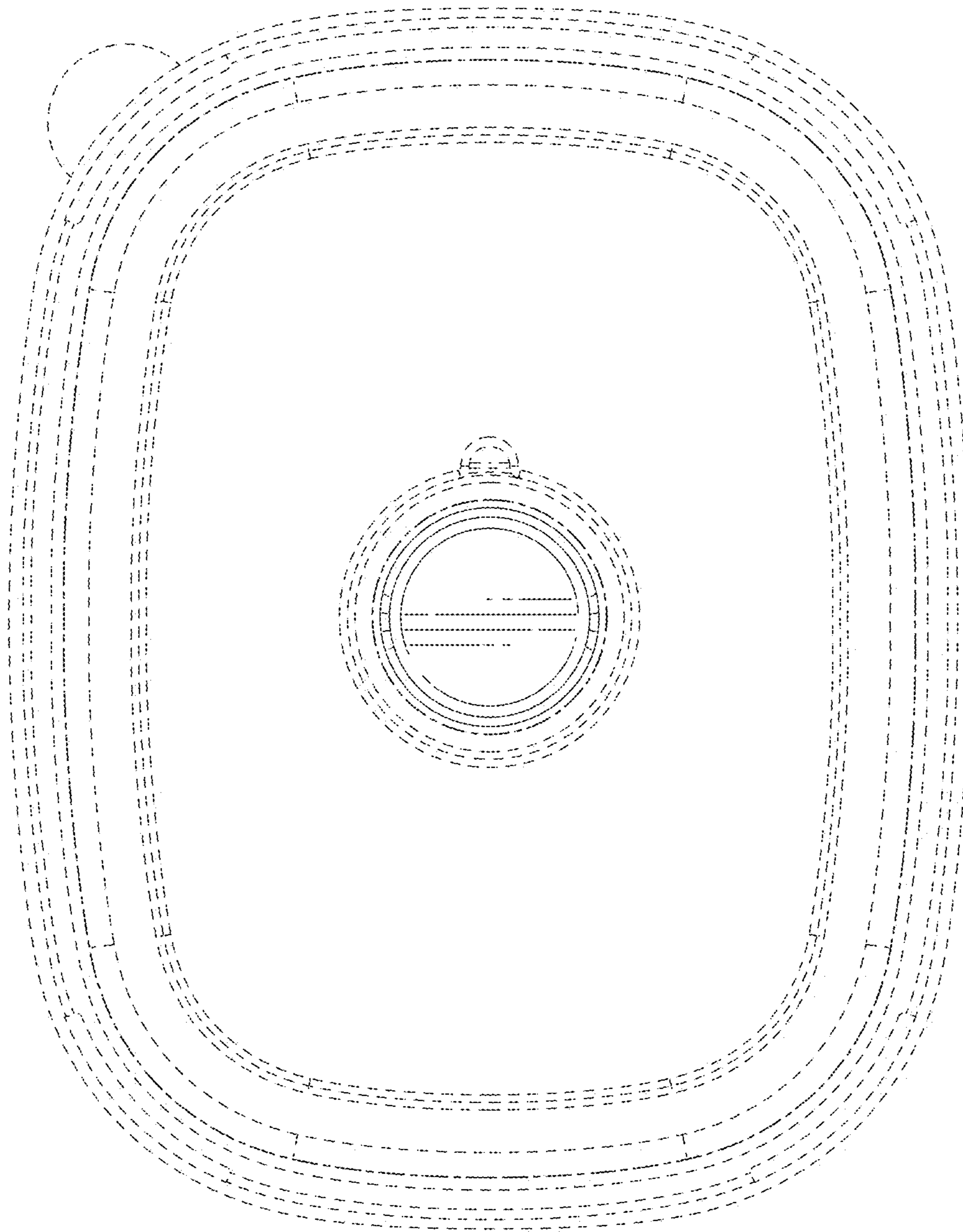


FIG. 14

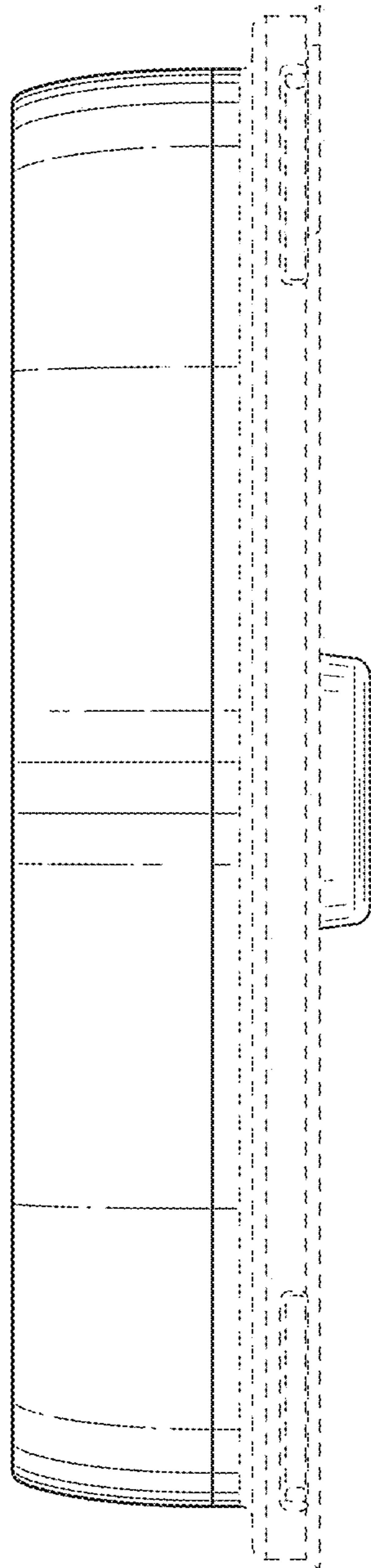


FIG. 15

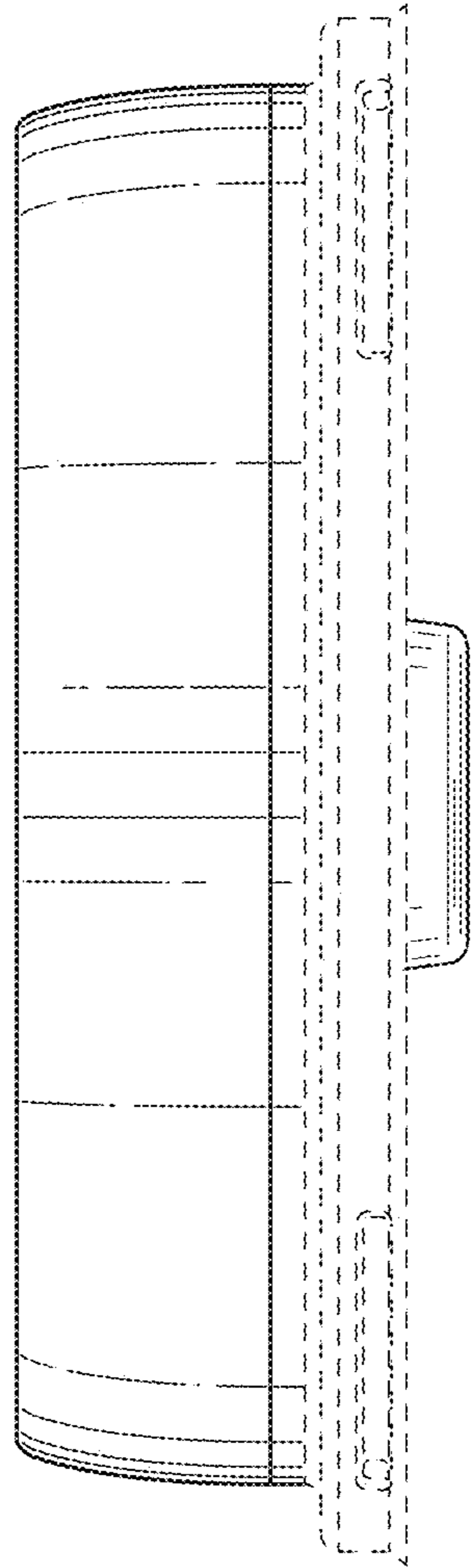


FIG. 16

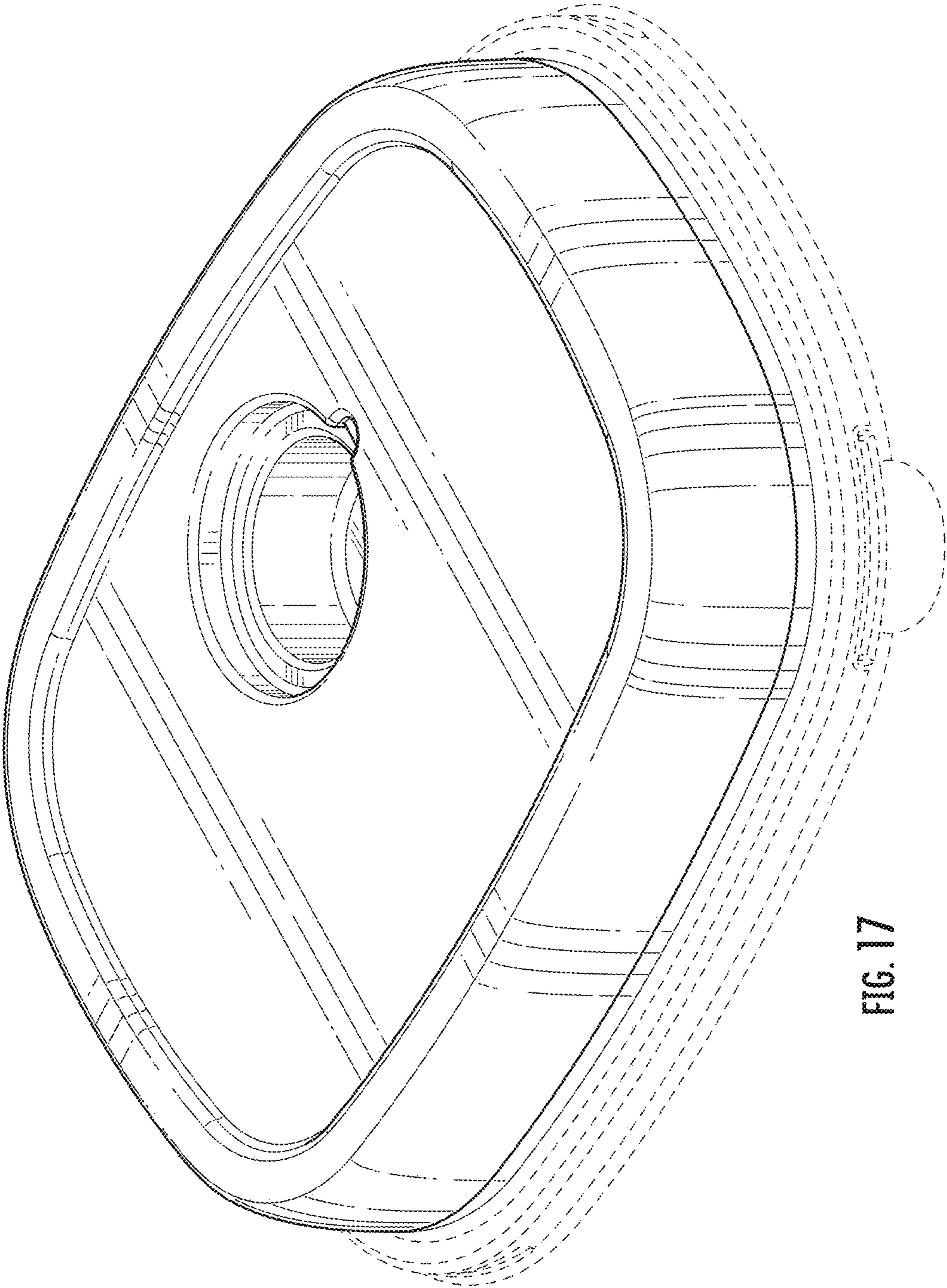


FIG. 17

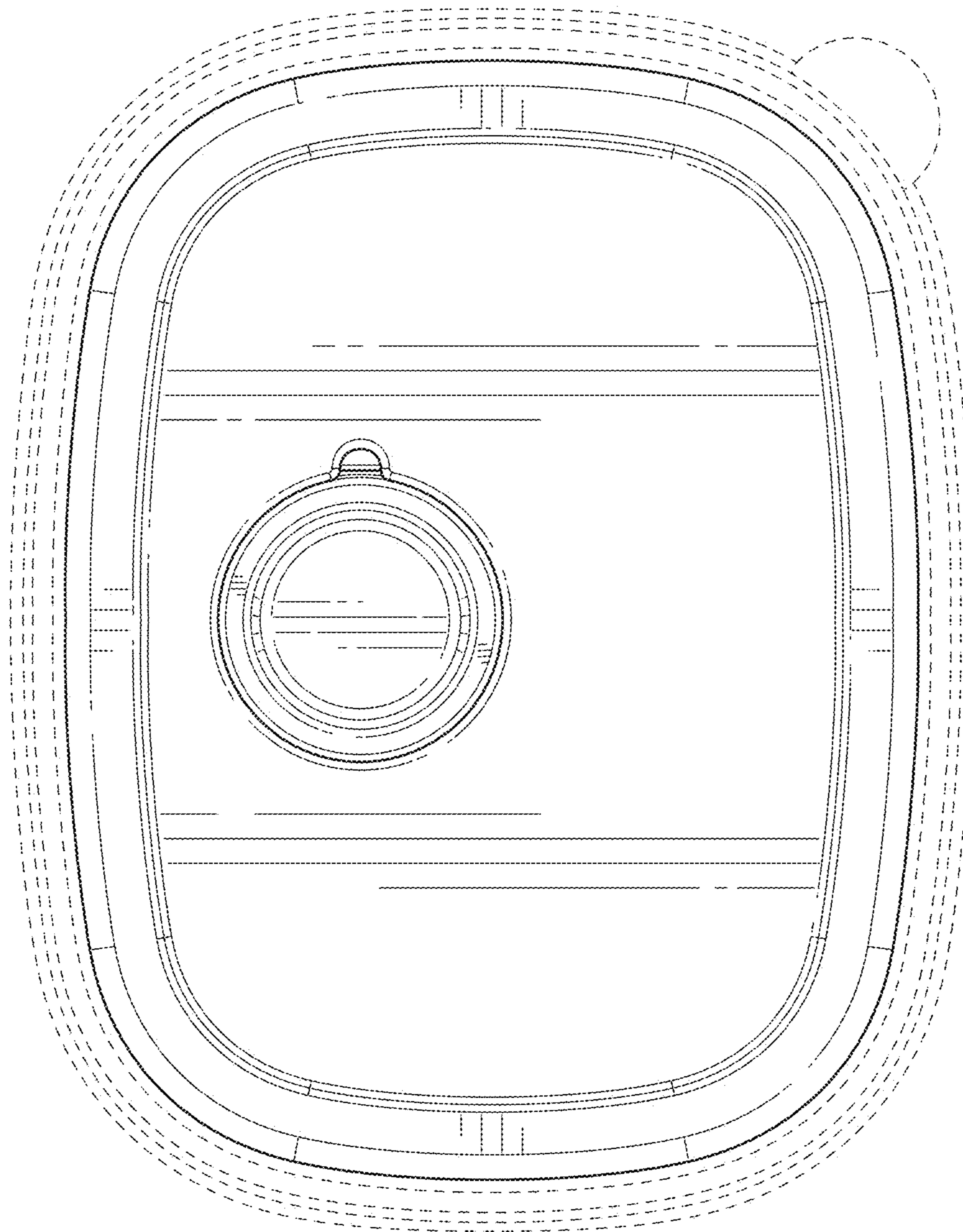


FIG. 18

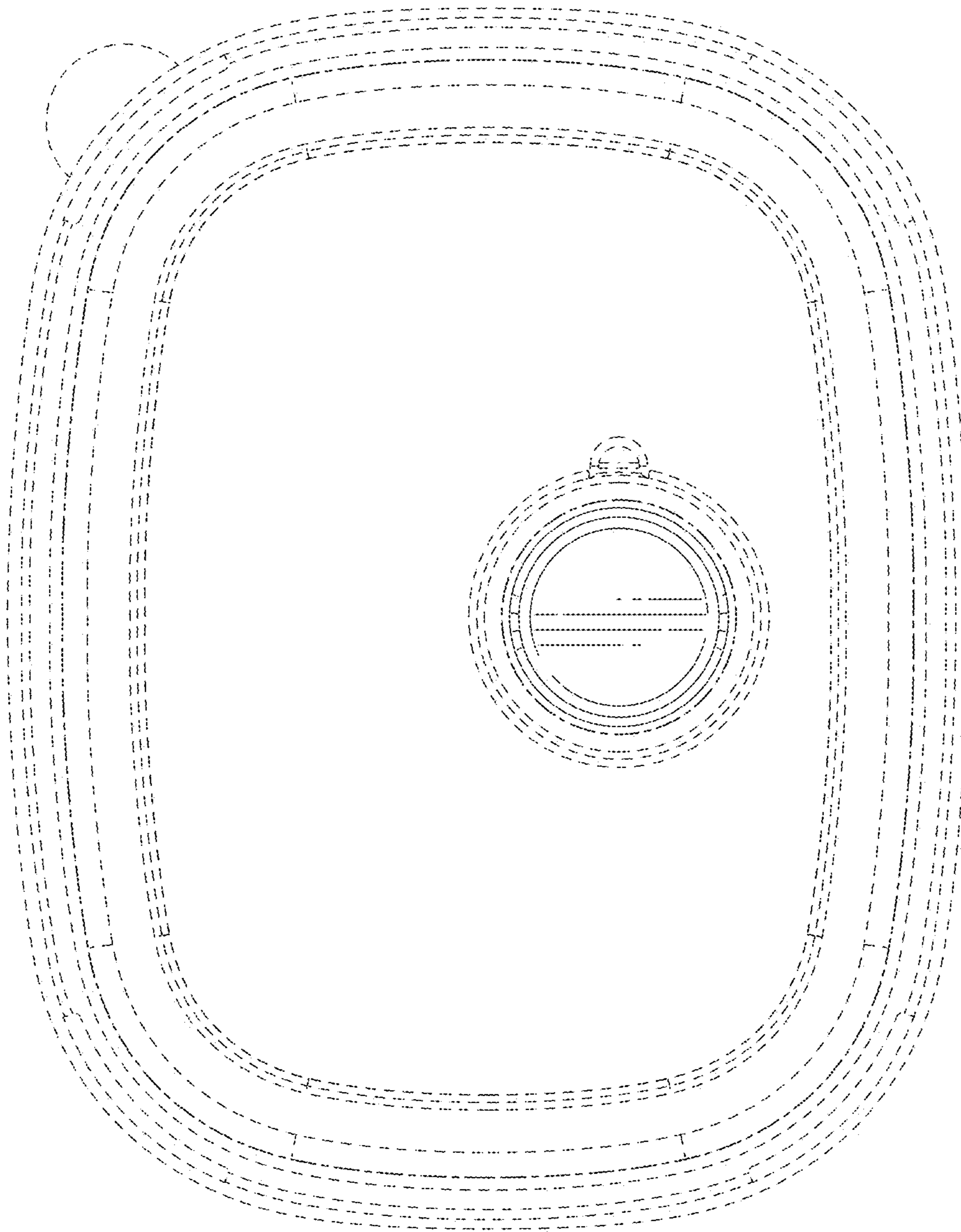


FIG. 19

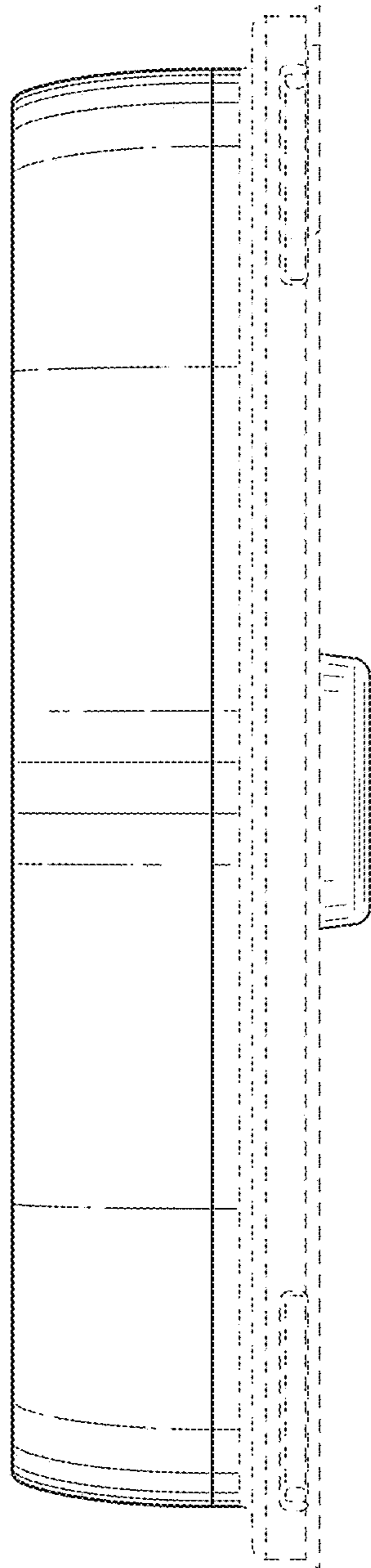


FIG. 20

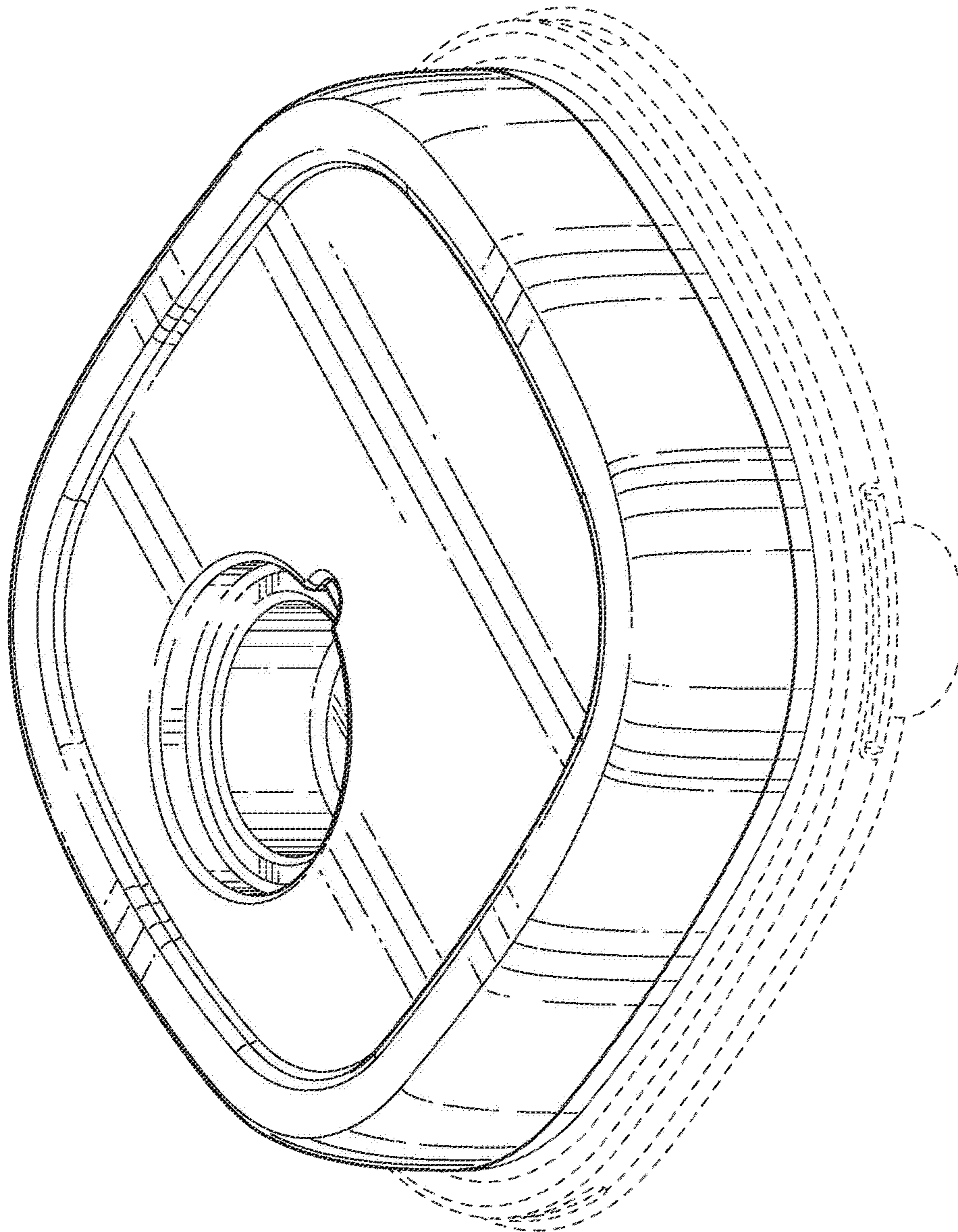


FIG. 21

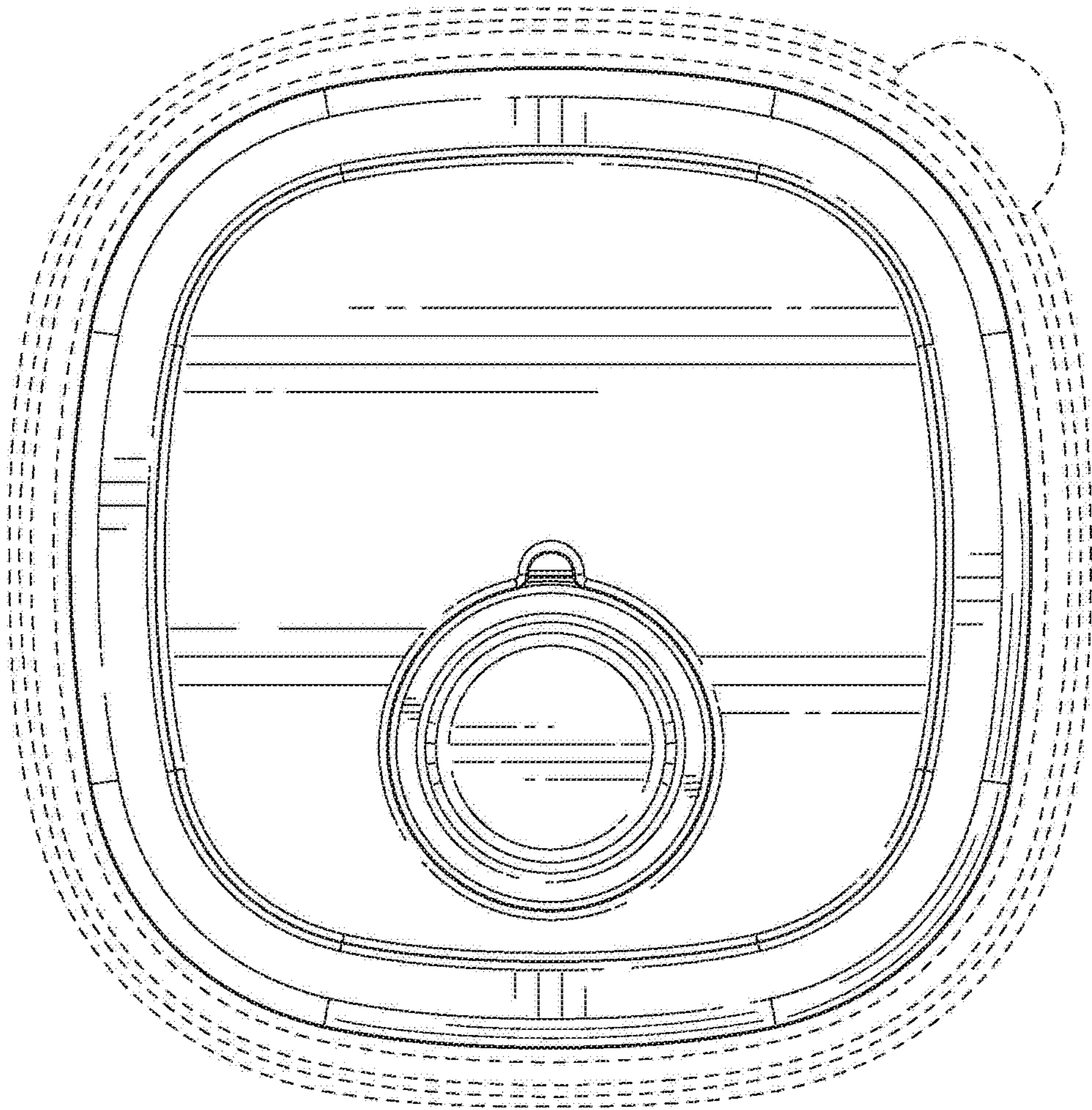


FIG. 22

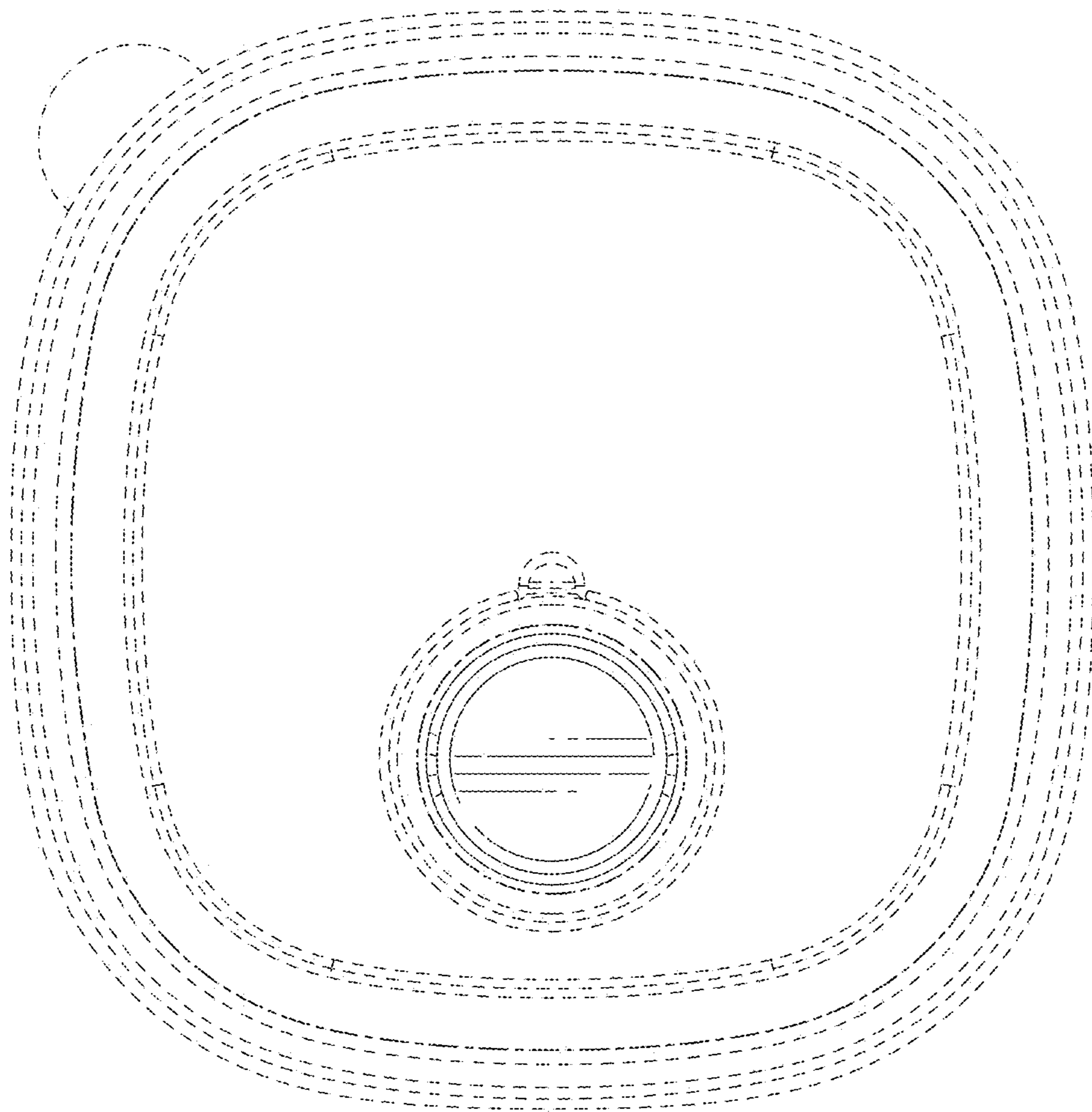


FIG. 23

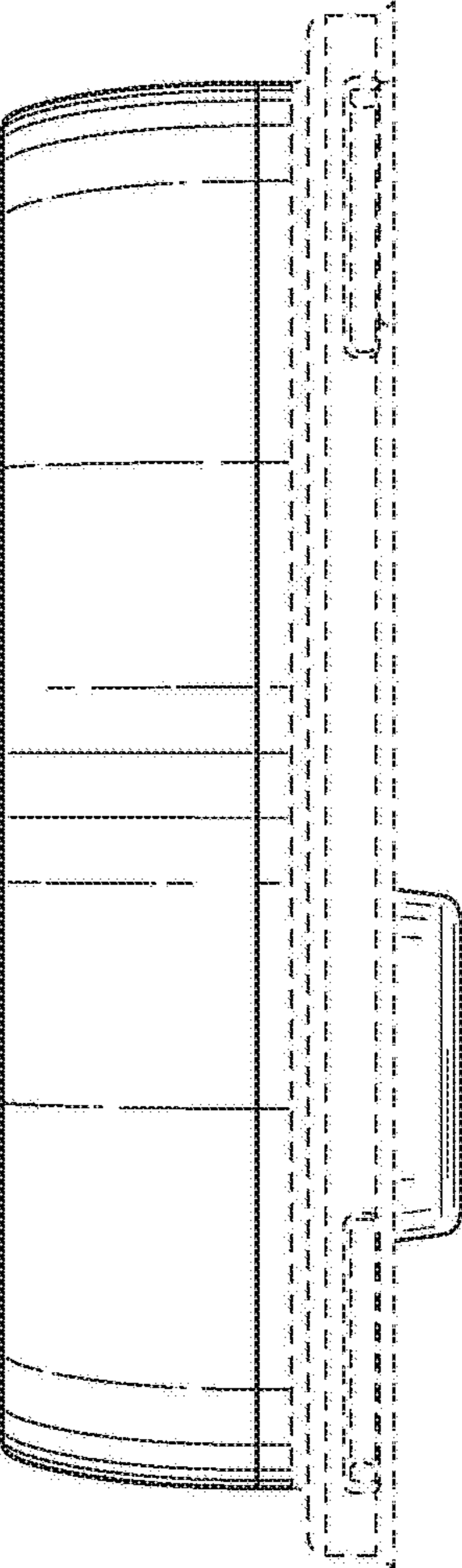


FIG. 24

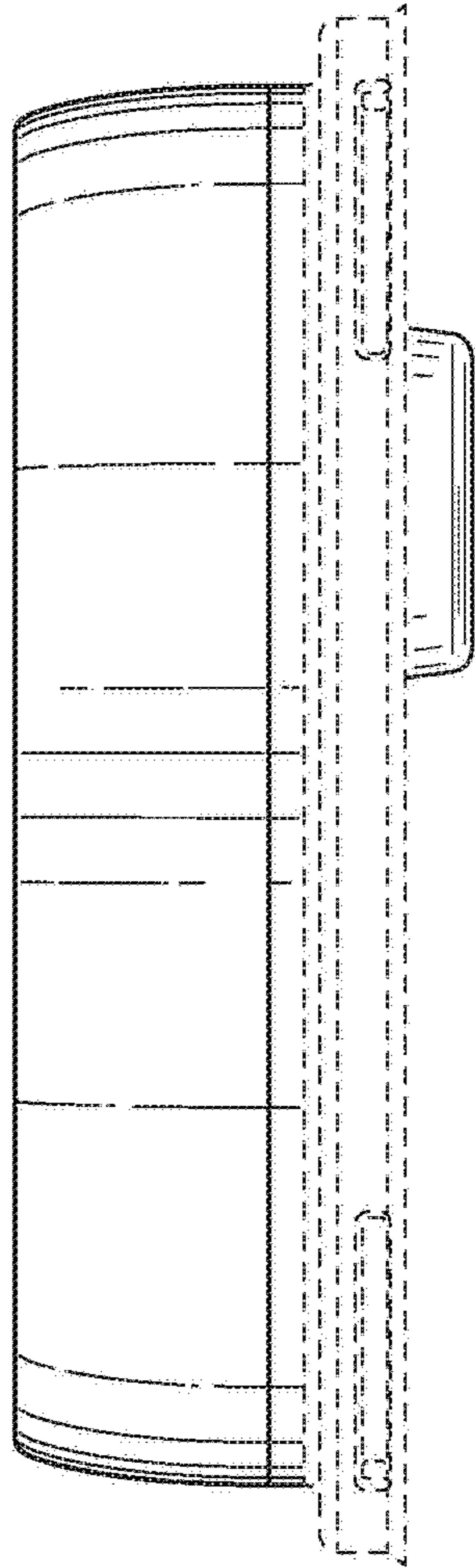


FIG. 25

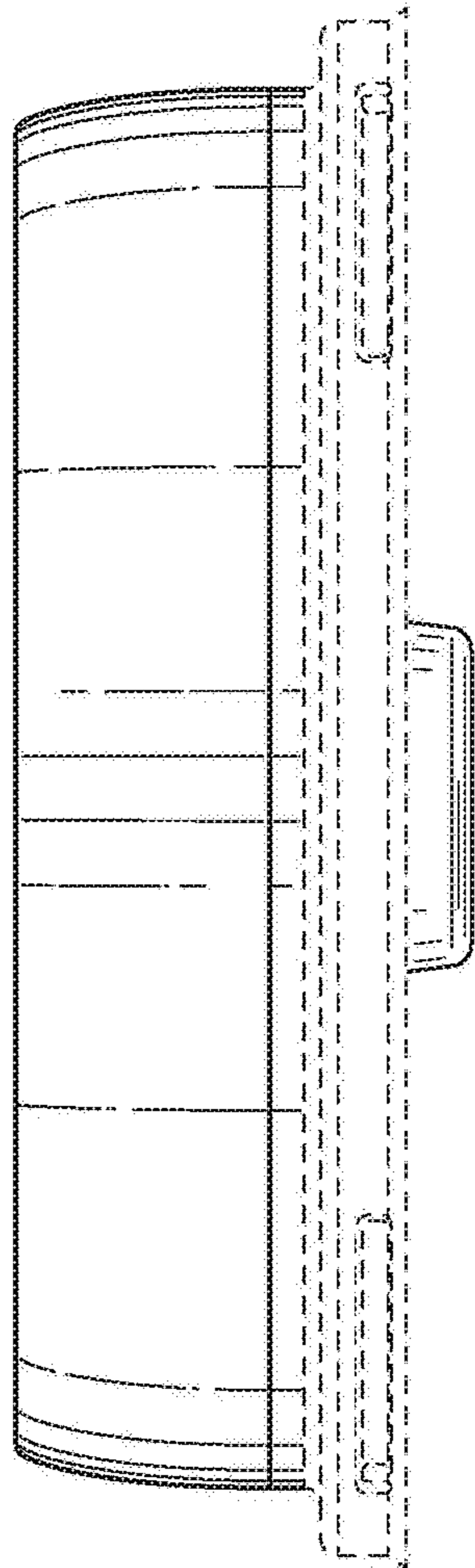


FIG. 26

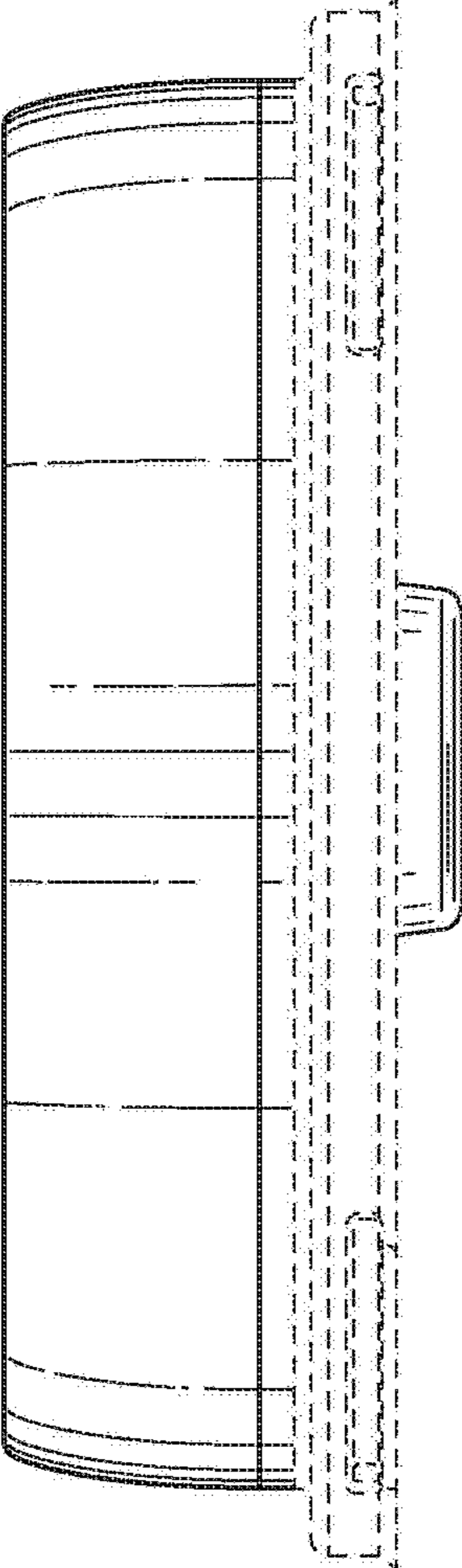


FIG. 27

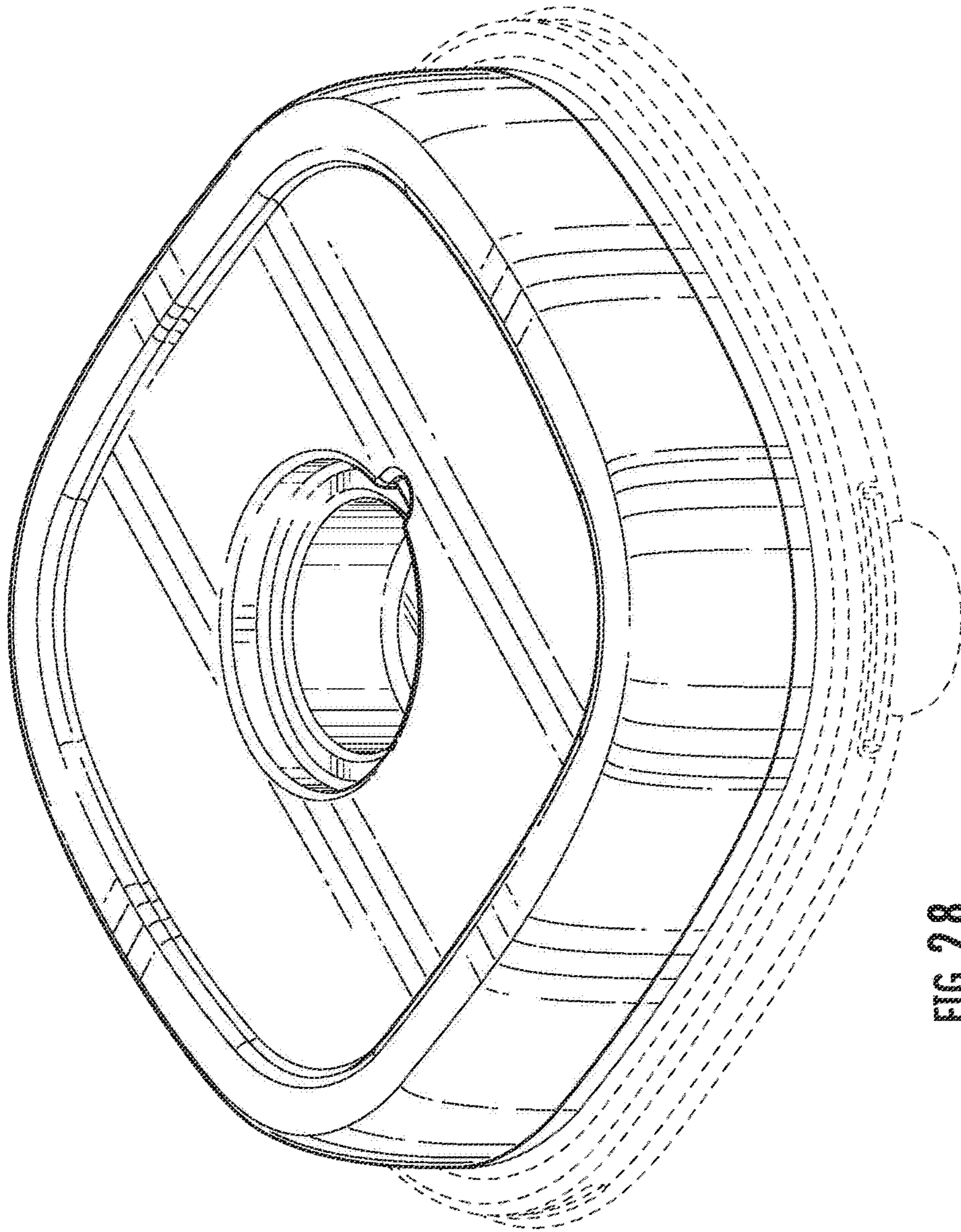


FIG. 28

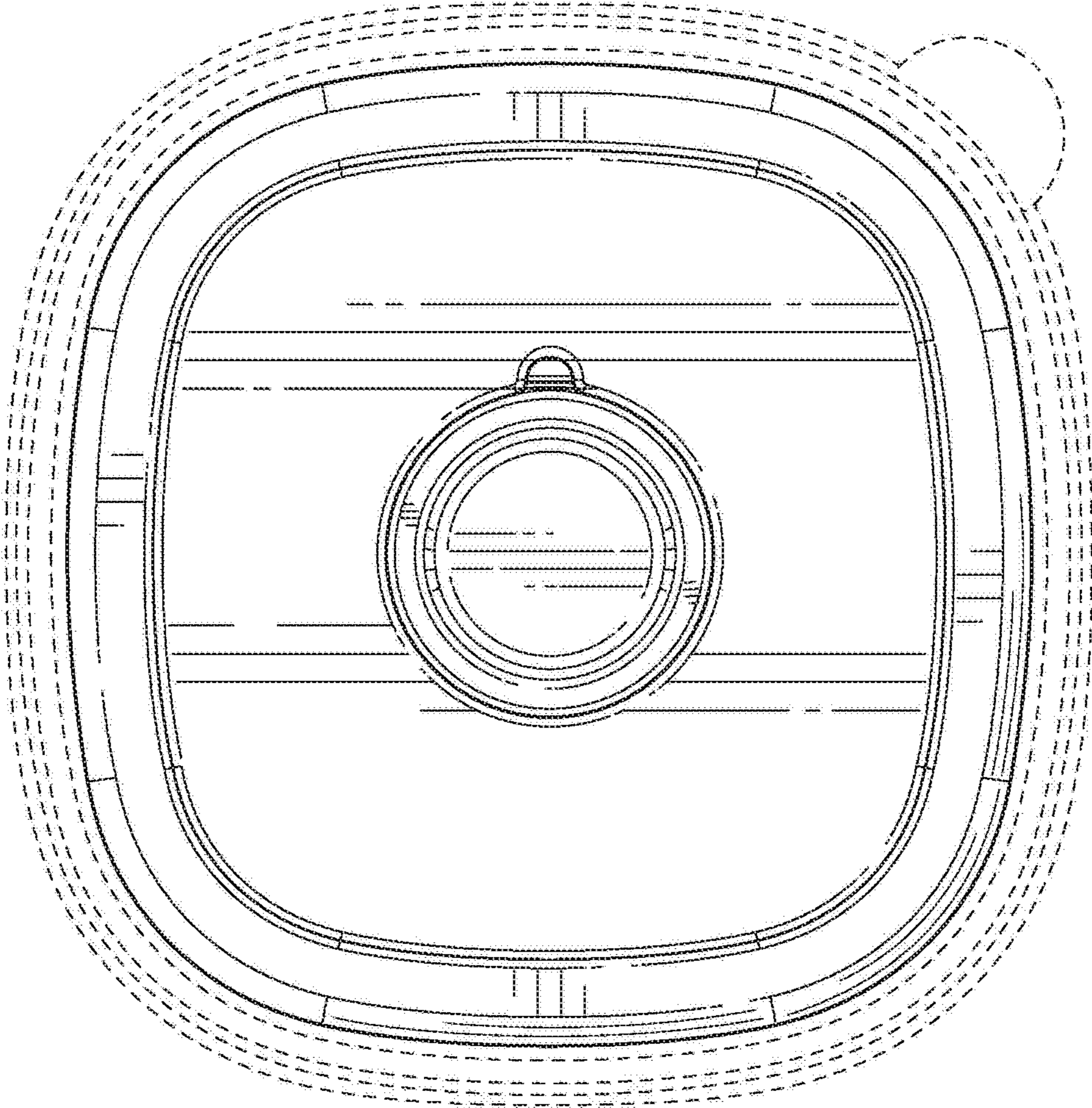


FIG. 29

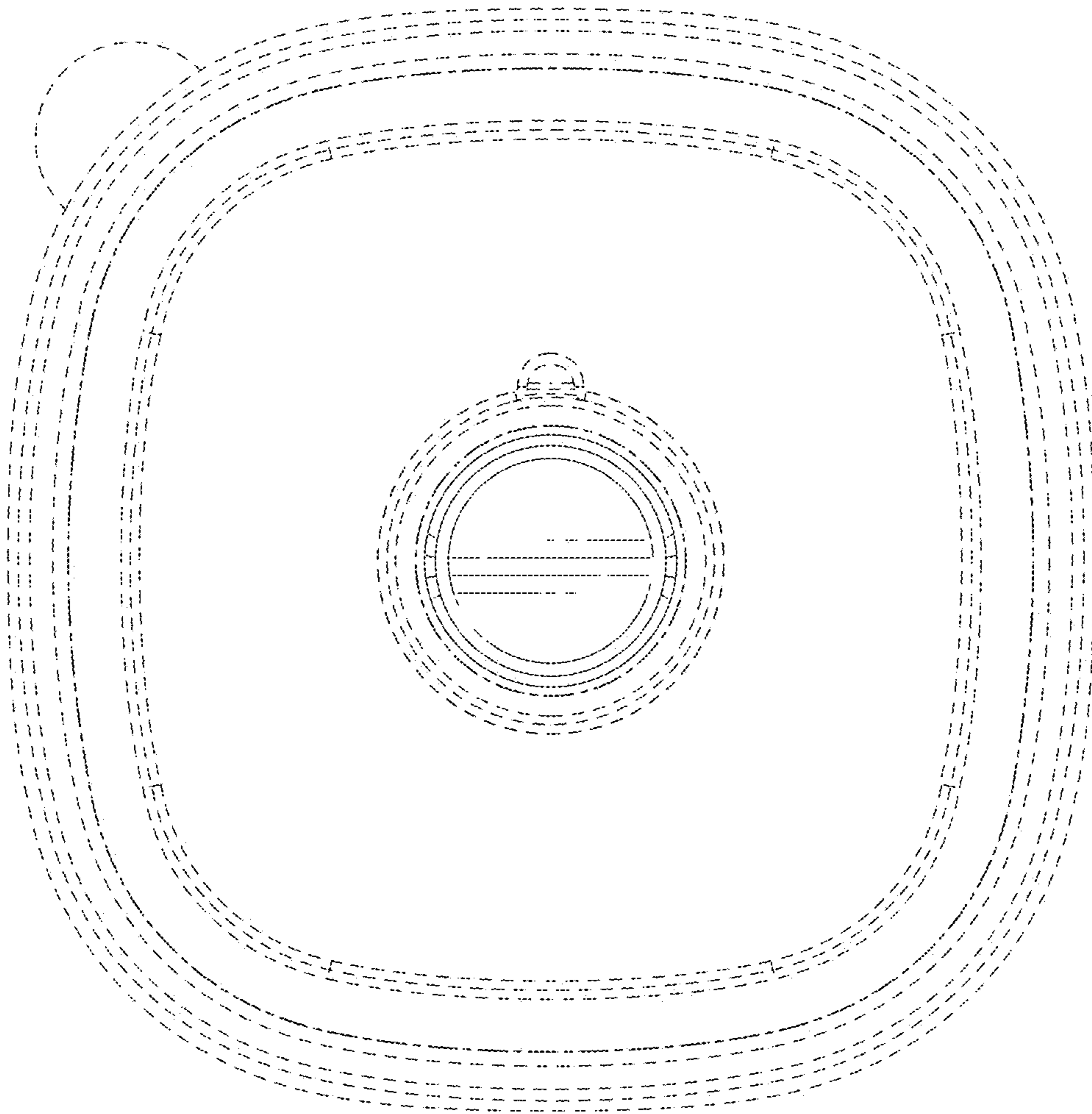


FIG. 30

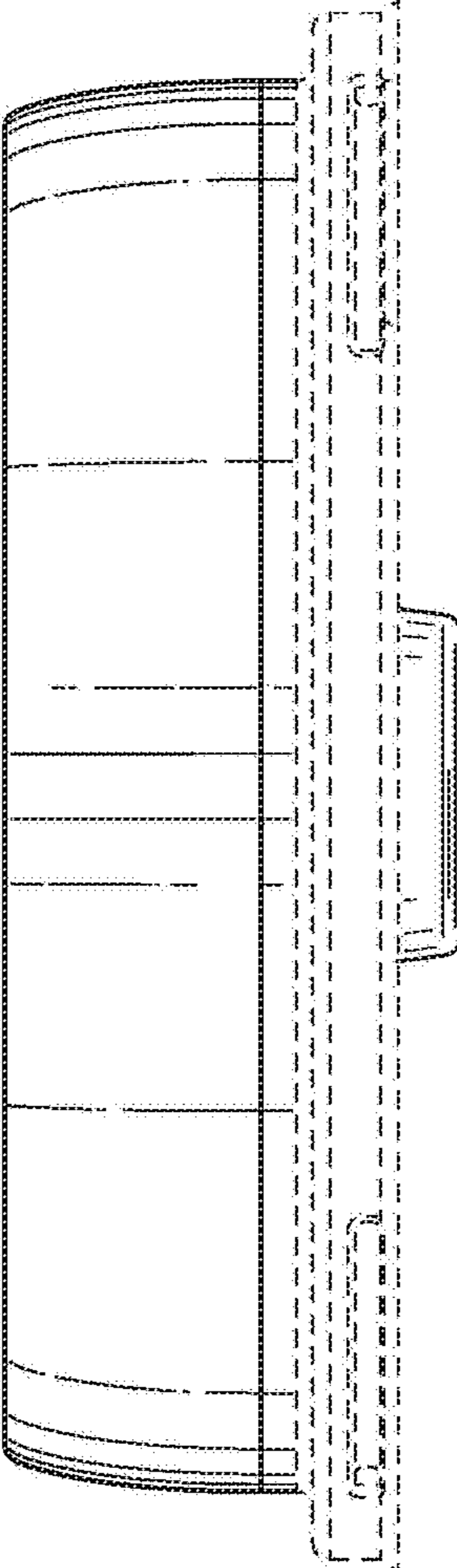


FIG. 31

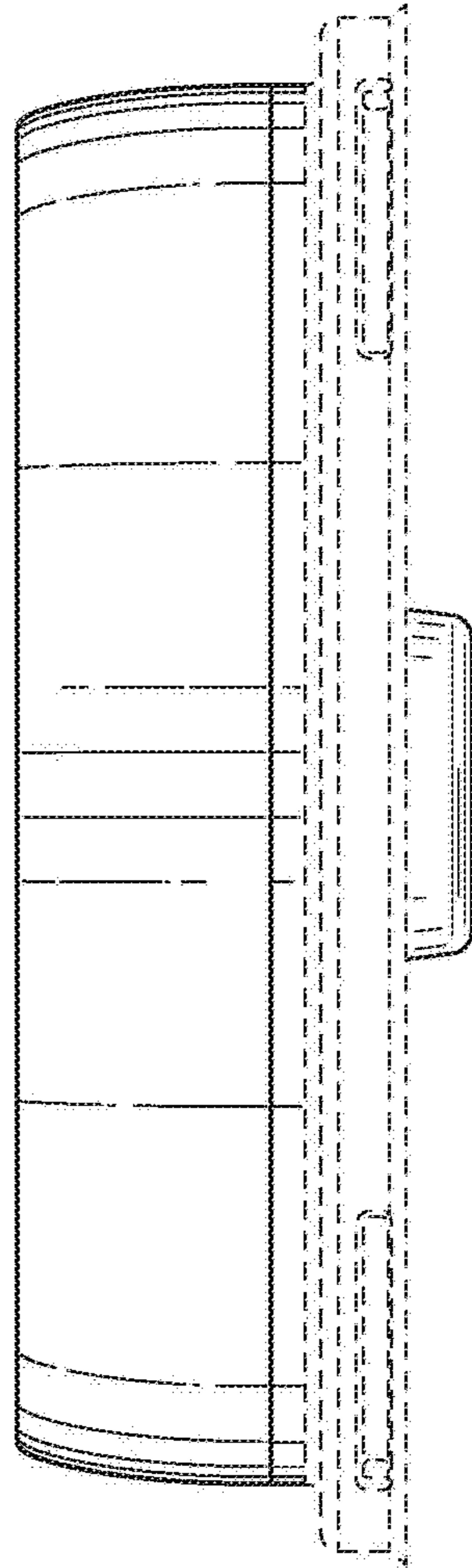


FIG. 32

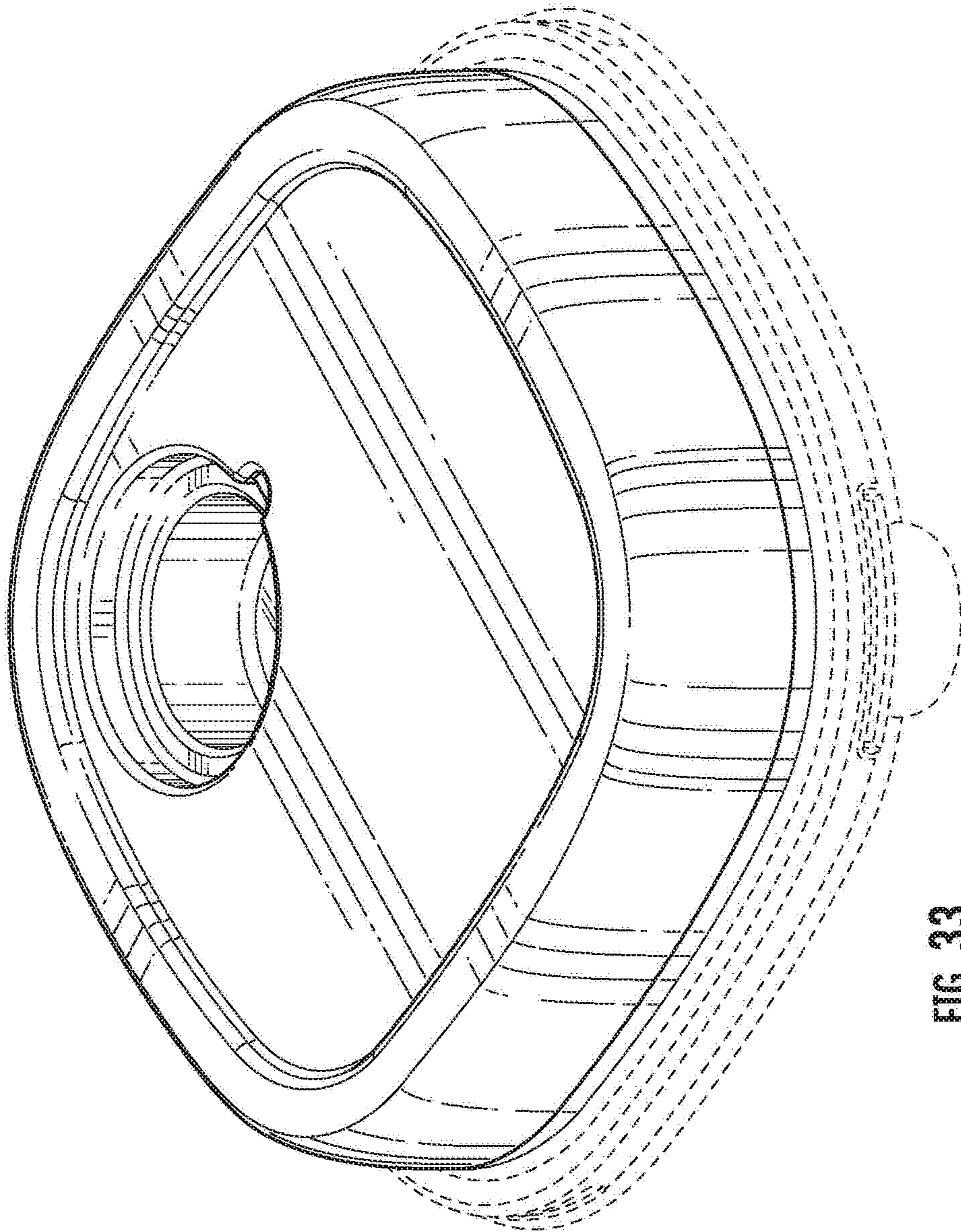


FIG. 33

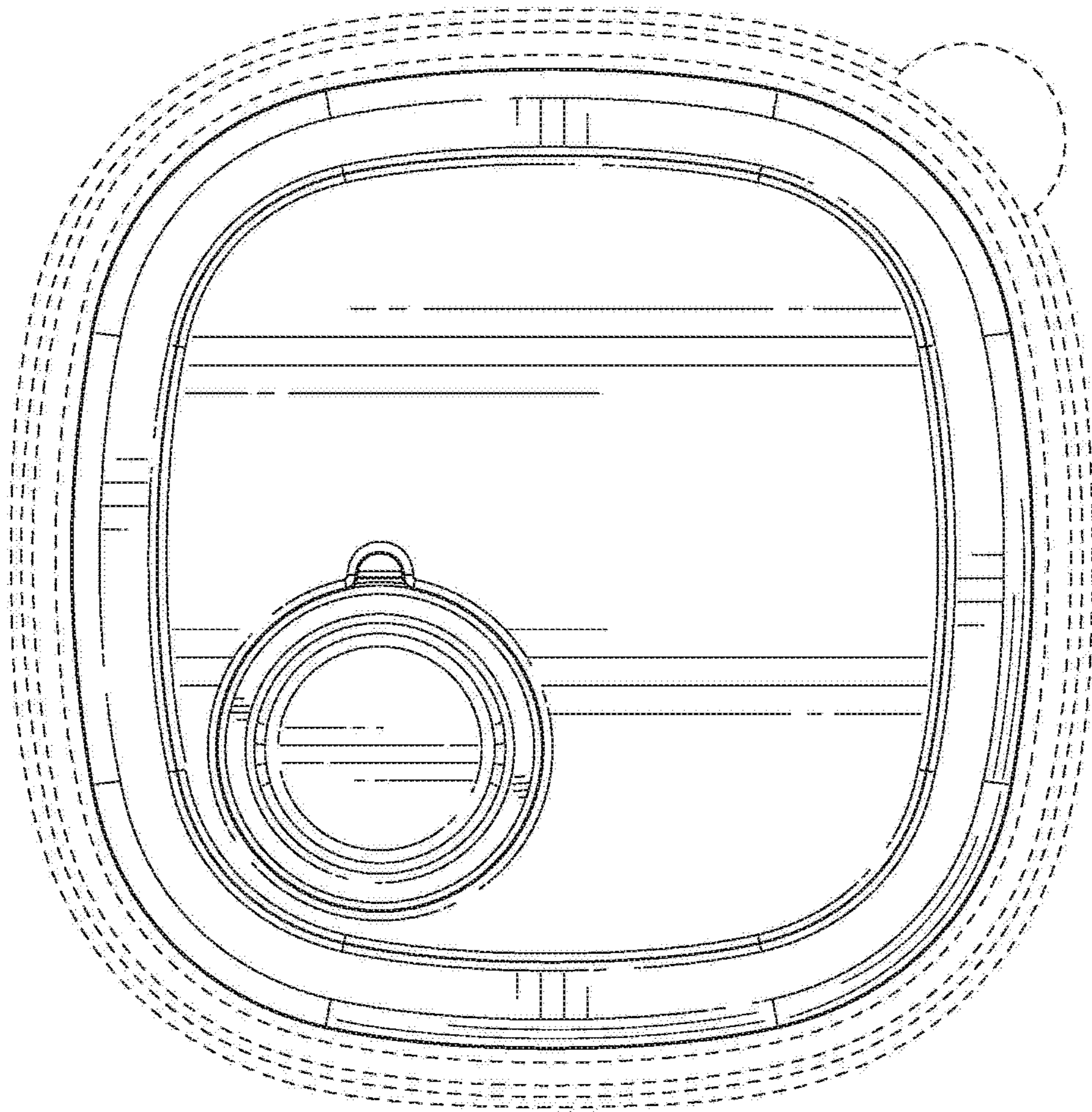


FIG. 34

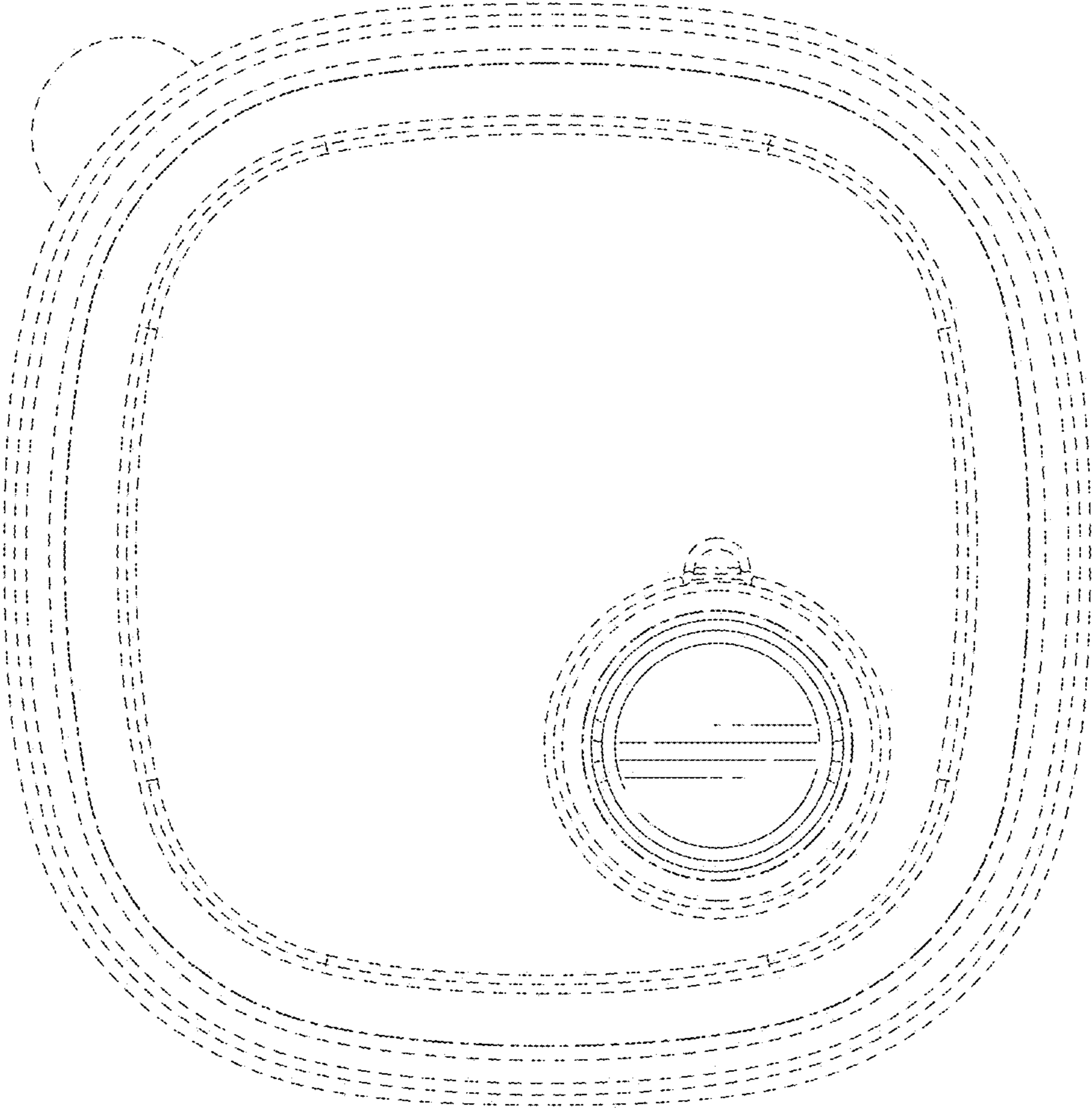


FIG. 35

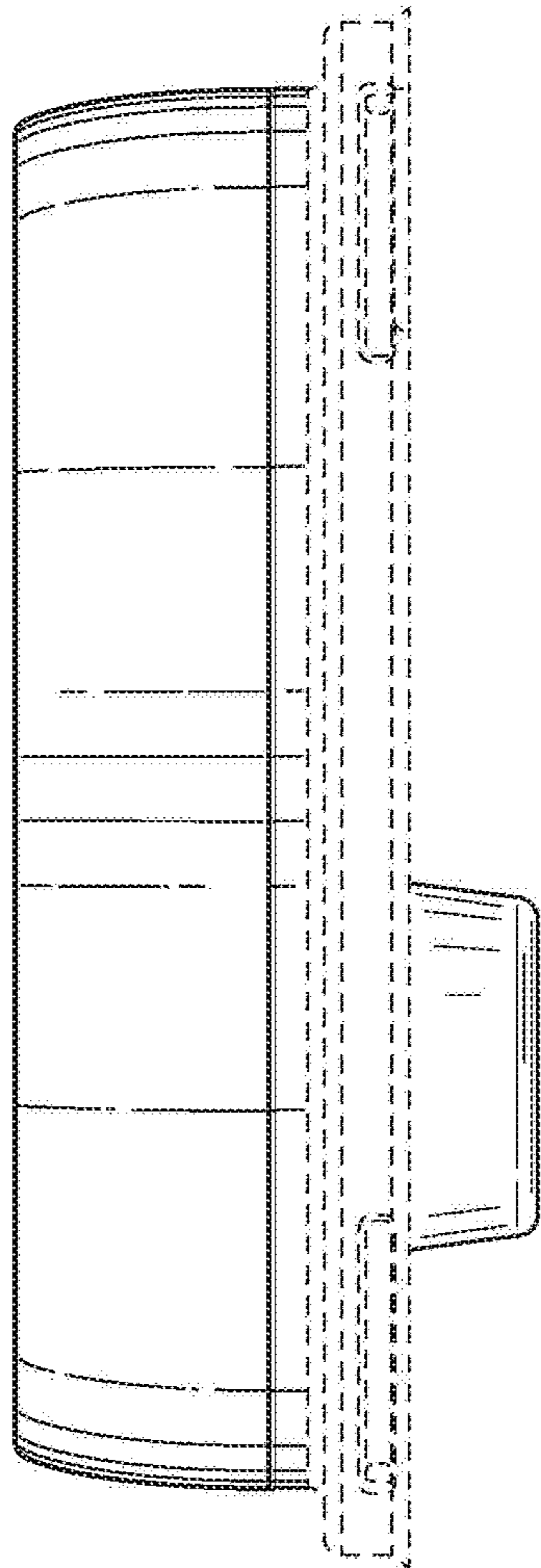


FIG. 36

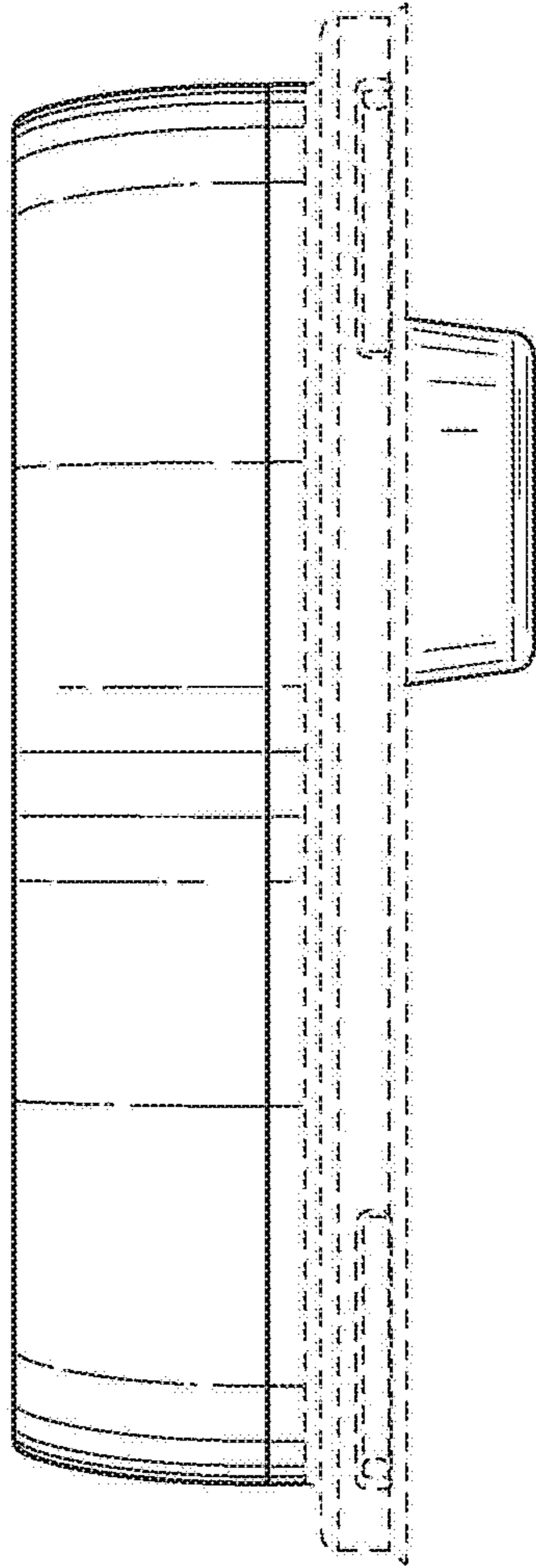


FIG. 37

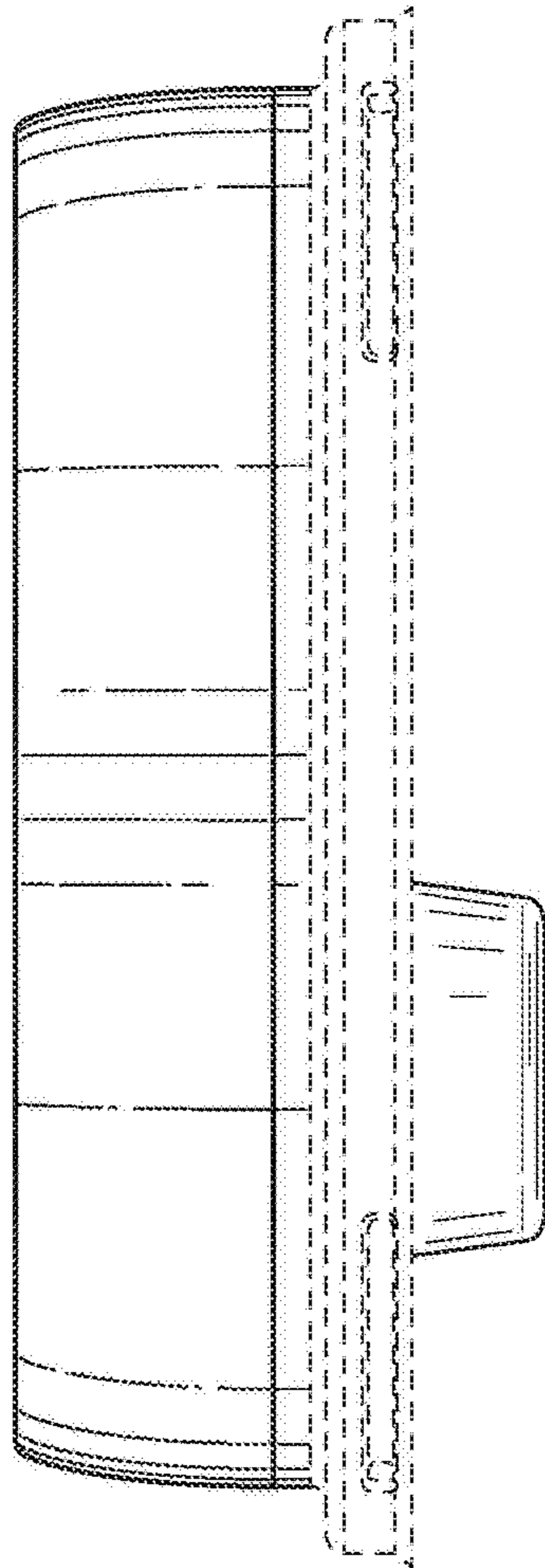


FIG. 38

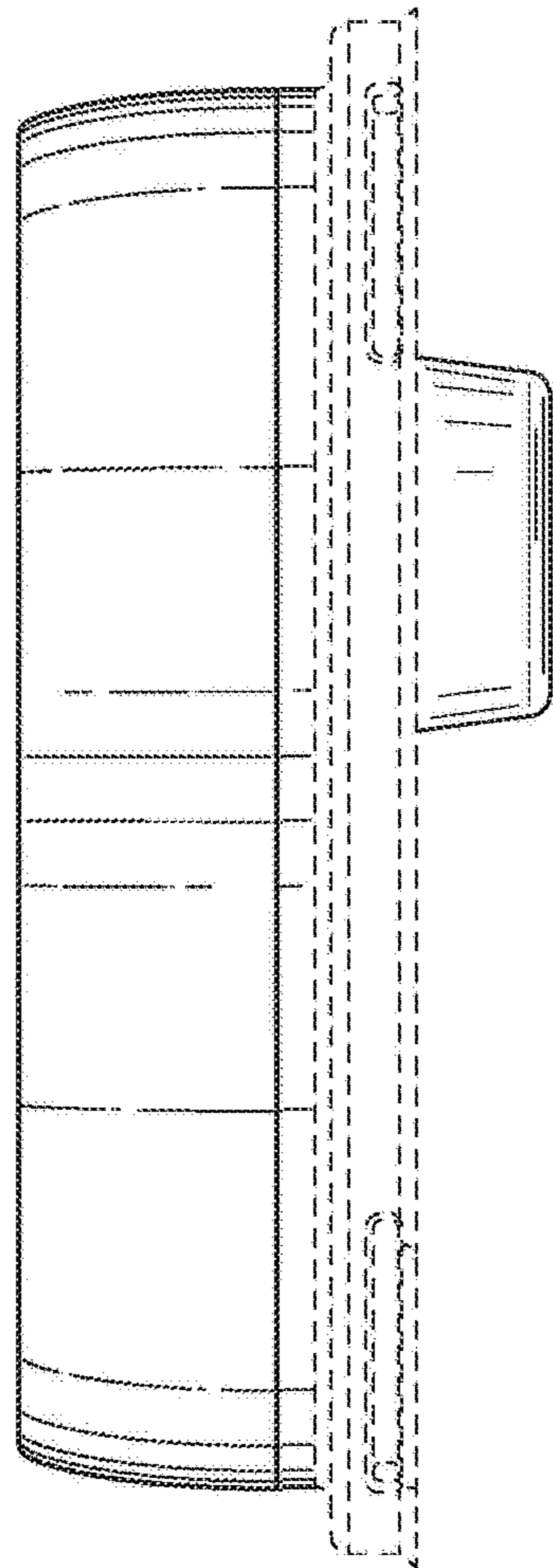


FIG. 39