



US00D955806S

(12) **United States Design Patent**
Huan

(10) **Patent No.:** **US D955,806 S**
(45) **Date of Patent:** **** Jun. 28, 2022**

- (54) **COOKING POT LID**
- (71) Applicant: **CONAIR CORPORATION**, Stamford, CT (US)
- (72) Inventor: **Lin Yao Huan**, Jiangmen (CN)
- (73) Assignee: **Conair LLC**, Stamford, CT (US)
- (**) Term: **15 Years**
- (21) Appl. No.: **29/751,587**
- (22) Filed: **Sep. 22, 2020**
- (51) **LOC (13) Cl.** **07-02**
- (52) **U.S. Cl.**
USPC **D7/391**; D7/354
- (58) **Field of Classification Search**
USPC D7/323, 354-363, 391, 393-396, 409;
D9/439; D28/82
CPC A47G 19/12; A47J 27/00; A47J 27/002;
A47J 27/08; A47J 27/0811; A47J 27/21;
A47J 27/58; A47J 36/025; A47J 36/06;
A47J 36/12; A47J 37/00; A47J 37/10;
A47J 37/101; A47J 37/103; A47J 37/12;
A47J 37/1204; A47J 45/061; A47J
45/071; A47J 45/08; B65D 25/28; B65D
45/22; B65D 51/1672; H05B 6/12
See application file for complete search history.

D587,519 S *	3/2009	Cheng	D7/360
D620,744 S *	8/2010	Rose	D7/354
D664,804 S *	8/2012	Cheng	D7/354
D757,486 S *	5/2016	Steiner	D7/354
D830,117 S *	10/2018	Shieh	D7/391
D843,774 S *	3/2019	Lam	D7/354

OTHER PUBLICATIONS

Cuisinart MultiClad Pro Stainless Steel 2-Quart Saucepan with Cover. Date First Available on Amazon.com Oct. 23, 2012. <https://www.amazon.com/Cuisinart-MCP19-18N-MultiClad-Stainless-Saucepan/dp/B009P48318/ref> (Year: 2012).*

* cited by examiner

Primary Examiner — Ricky Pham
(74) *Attorney, Agent, or Firm* — Ohlandt, Greeley, Ruggiero & Perle, L.L.P.

(56) **References Cited**

U.S. PATENT DOCUMENTS

D416,437 S *	11/1999	Cheng	D7/391
D458,076 S *	6/2002	Hoekstra	D7/360
D473,101 S *	4/2003	Burton	D7/391
D475,886 S *	6/2003	Burton	D7/391
D514,877 S *	2/2006	Tetreault	D7/391
D571,145 S *	6/2008	Rae	D7/391
D578,342 S *	10/2008	Rae	D7/391

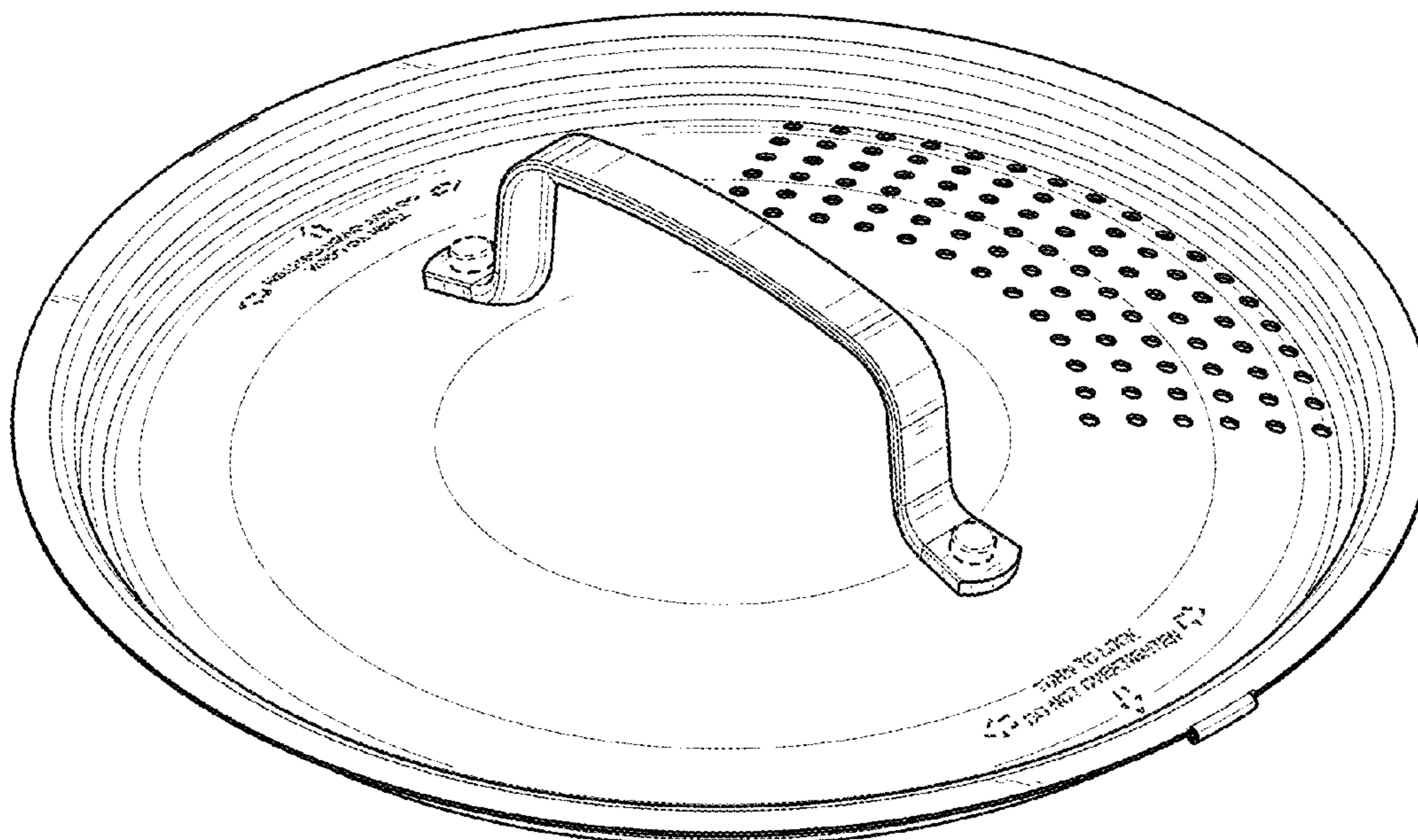
(57) **CLAIM**

The ornamental design for a cooking pot lid, as shown and described.

DESCRIPTION

FIG. 1 is a perspective view of a cooking pot lid according to the present application;
FIG. 2 is a front view thereof;
FIG. 3 is a rear view thereof;
FIG. 4 is a left side view thereof;
FIG. 5 is a right side view thereof;
FIG. 6 is a top view thereof; and,
FIG. 7 is a bottom view thereof.
The broken lines in the drawings are for illustrative purposes only and form no part of the claimed design.

1 Claim, 7 Drawing Sheets



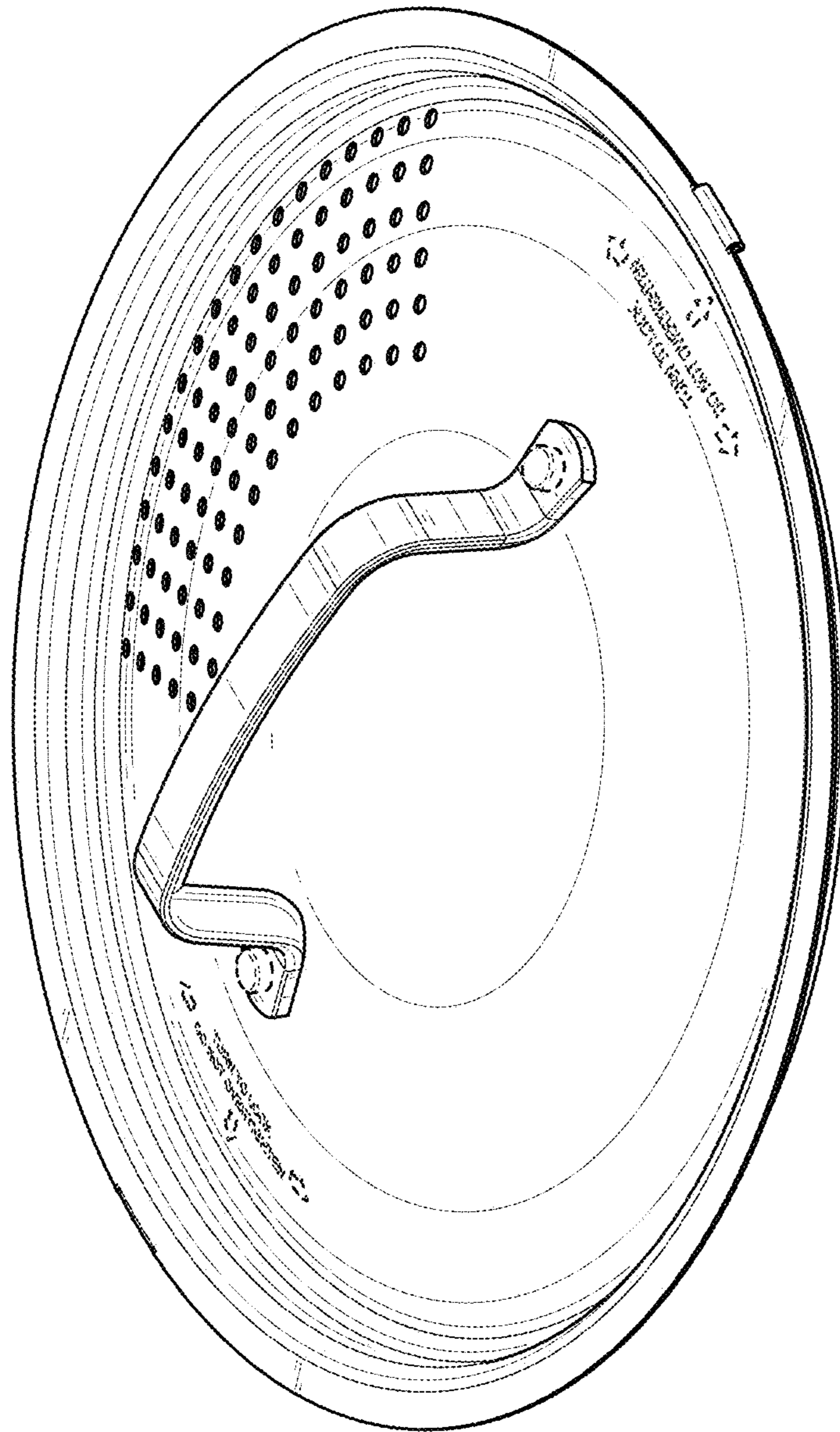


FIG. 1

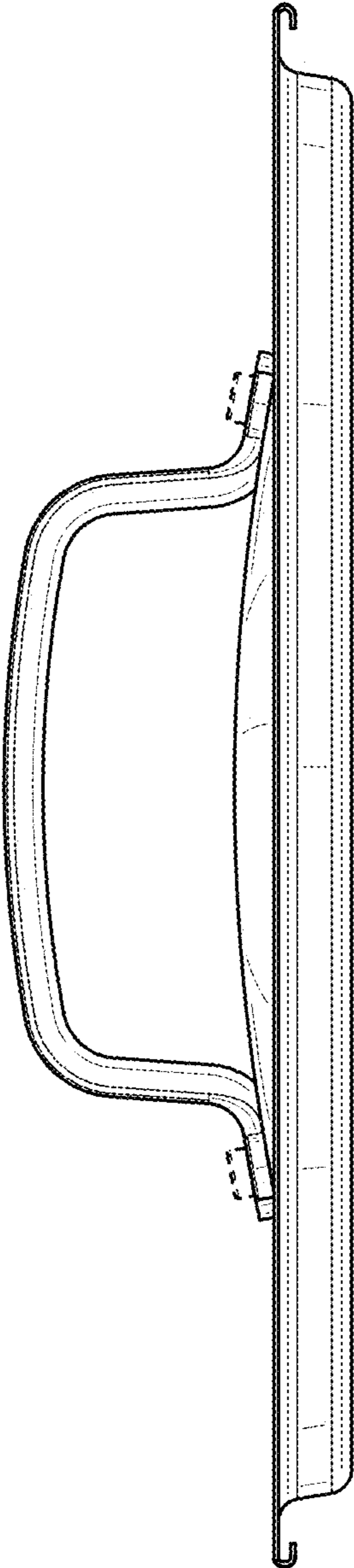


FIG. 2

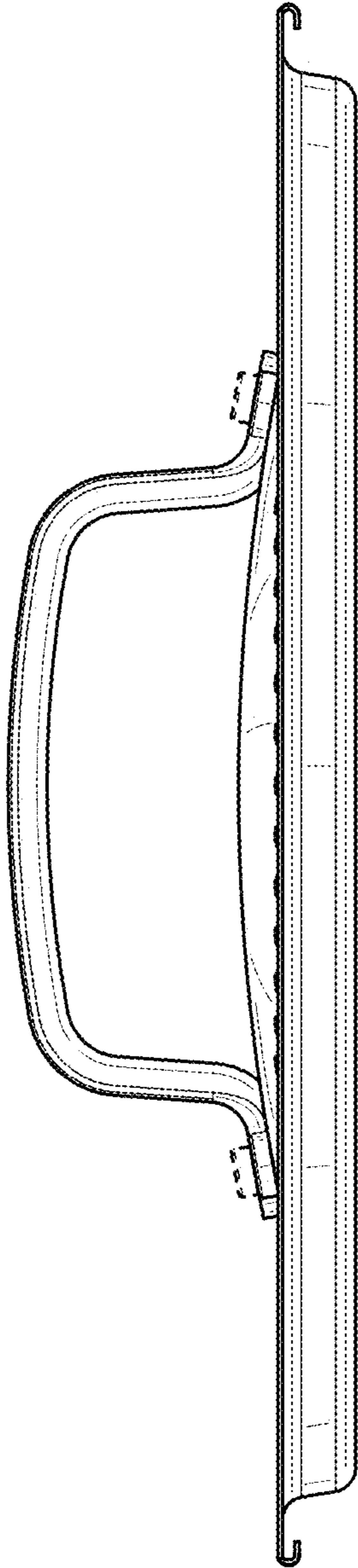


FIG. 3

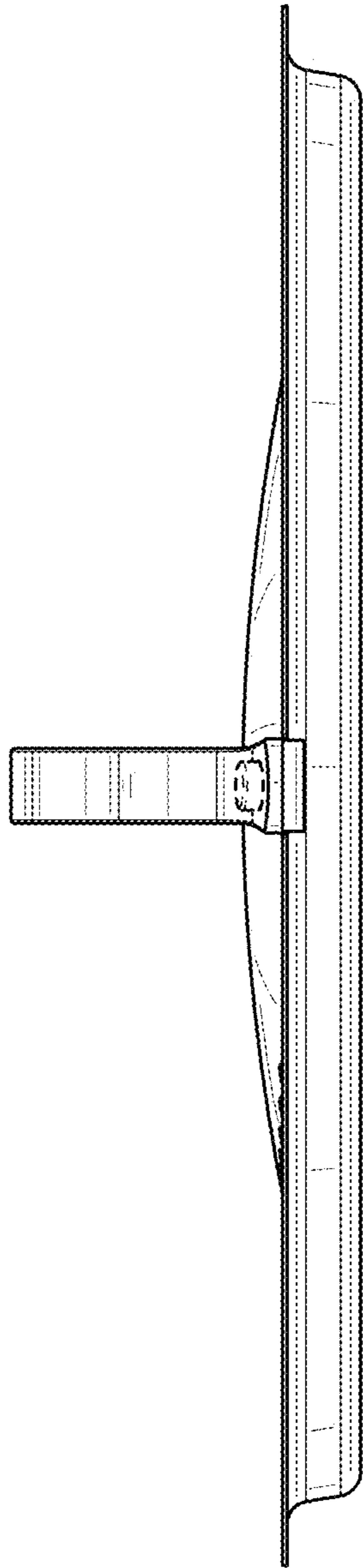


FIG. 4

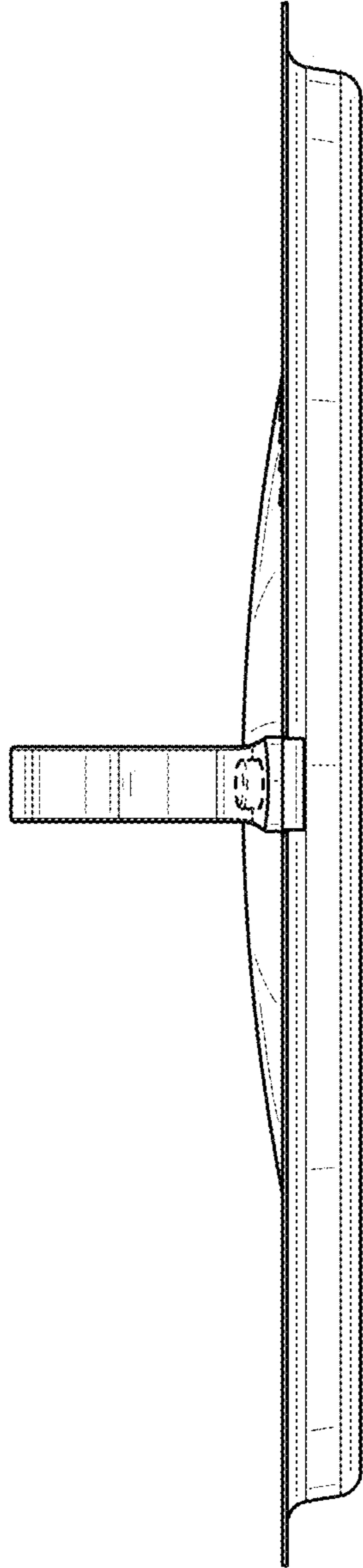


FIG. 5

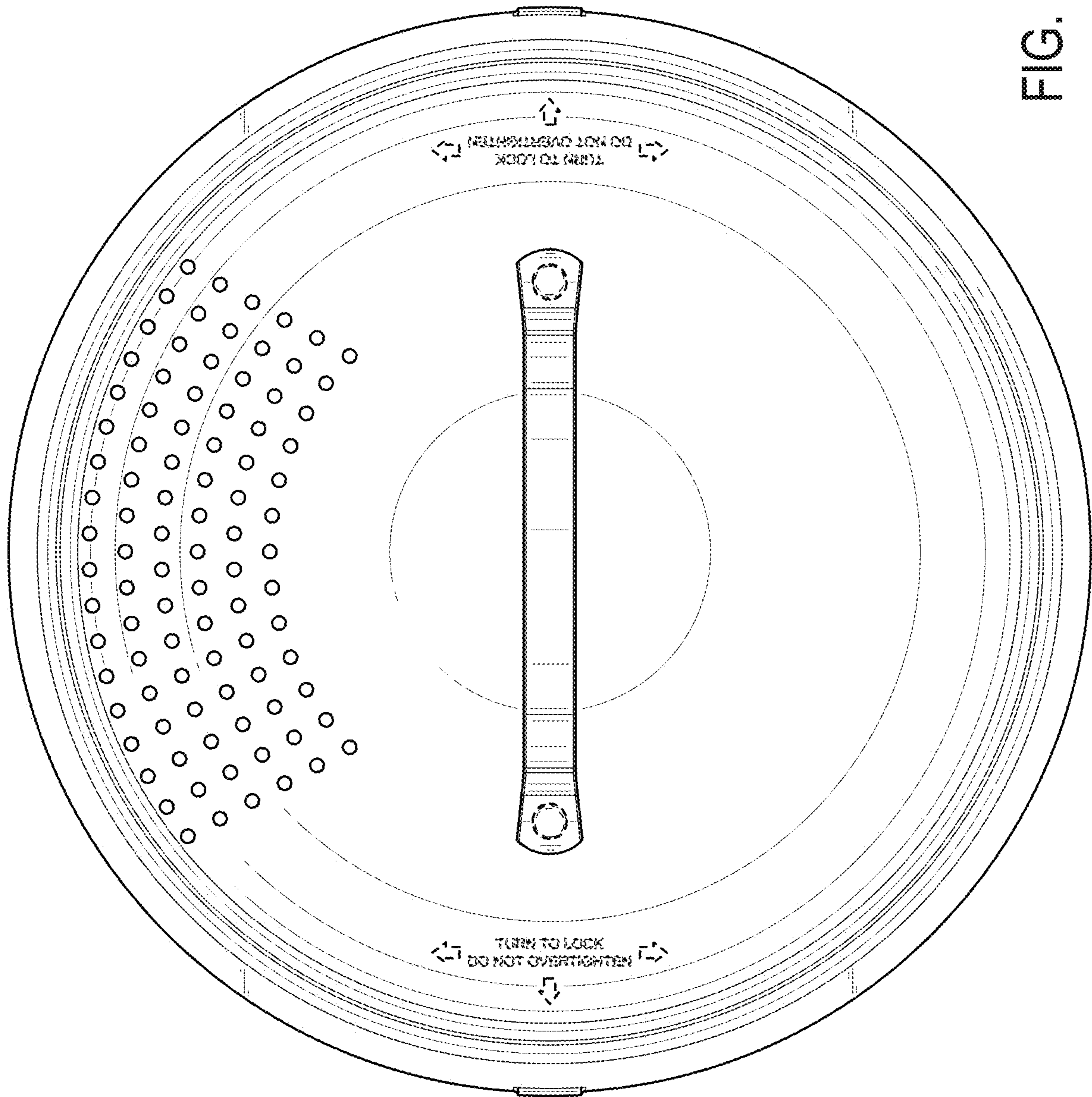


FIG. 6

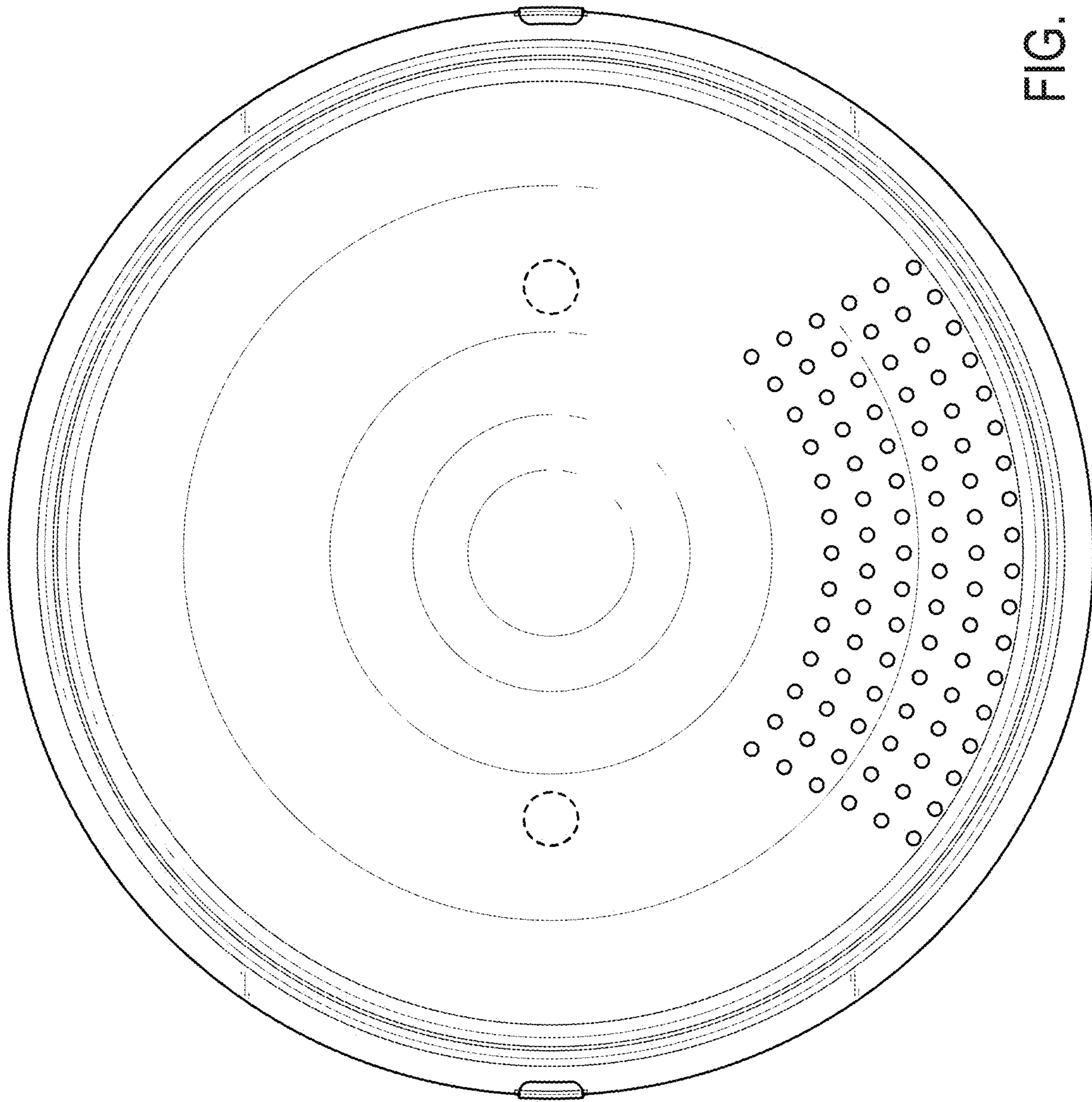


FIG. 7