



US00D955805S

(12) **United States Design Patent** (10) **Patent No.:** **US D955,805 S**  
**Ludwig et al.** (45) **Date of Patent:** **\*\* Jun. 28, 2022**

(54) **PLATE COVER** 3,375,954 A 4/1968 Honkanen et al.  
3,429,369 A 2/1969 Segal  
(71) Applicant: **Whirley Industries, Inc.**, Warren, PA (US) 3,610,458 A 10/1971 Nissley  
3,794,090 A 2/1974 Commisso  
3,815,736 A \* 6/1974 Sedlak ..... A47G 19/26  
D7/392.1  
(72) Inventors: **Benjamin L. Ludwig**, Warren, PA (US); **Peter Dorney**, Warren, PA (US); **Matthew Schlotzhauer**, Warren, PA (US) RE28,720 E \* 2/1976 Sedlak ..... A47G 19/26  
206/508  
4,061,241 A \* 12/1977 Retelny ..... B65D 1/34  
206/508  
4,530,344 A 7/1985 Iyengar et al.  
4,741,452 A 5/1988 Holzkopf  
(73) Assignee: **Whirley Industries Inc.**, Warren, PA (US) 4,777,931 A 10/1988 Ziegler et al.  
4,863,058 A 9/1989 Antoni et al.  
(Continued)

(\*\*) Term: **15 Years**

(21) Appl. No.: **29/729,765**  
(22) Filed: **Mar. 30, 2020**  
(51) **LOC (13) Cl.** ..... **07-02**  
(52) **U.S. Cl.**  
USPC ..... **D7/391**  
(58) **Field of Classification Search**  
USPC ..... D7/323, 325, 354-363, 391, 392.1,  
D7/393-396, 409; D9/445, 452, 453  
CPC ..... A47G 19/12; A47G 19/26; A47J 27/00;  
A47J 27/002; A47J 27/08; A47J 27/0811;  
A47J 27/21; A47J 27/58; A47J 36/025;  
A47J 36/06; A47J 36/12; A47J 37/00;  
A47J 37/10; A47J 37/101; A47J 37/103;  
A47J 37/12; A47J 37/1204; A47J 45/061;  
A47J 45/071; A47J 45/08; B65D 1/34;  
H05B 6/12  
See application file for complete search history.

(56) **References Cited**  
U.S. PATENT DOCUMENTS

1,973,449 A 9/1934 Tighe, Jr.  
D138,080 S \* 6/1944 Durham ..... D9/453  
D168,462 S 12/1952 Krilow  
D169,004 S 3/1953 Krilow  
3,066,824 A 12/1962 Bostrom

**OTHER PUBLICATIONS**

Tovolo—81-31531 Vented Collapsible Microwave Splatter Proof Food Plate Cover. Date First Available on Amazon.com Mar. 27, 2007. <https://www.amazon.com/Tovolo-81-31531-Microwave-Cover-Charcoal/dp/B07GTC4NCV/ref> (Year: 2007).\*

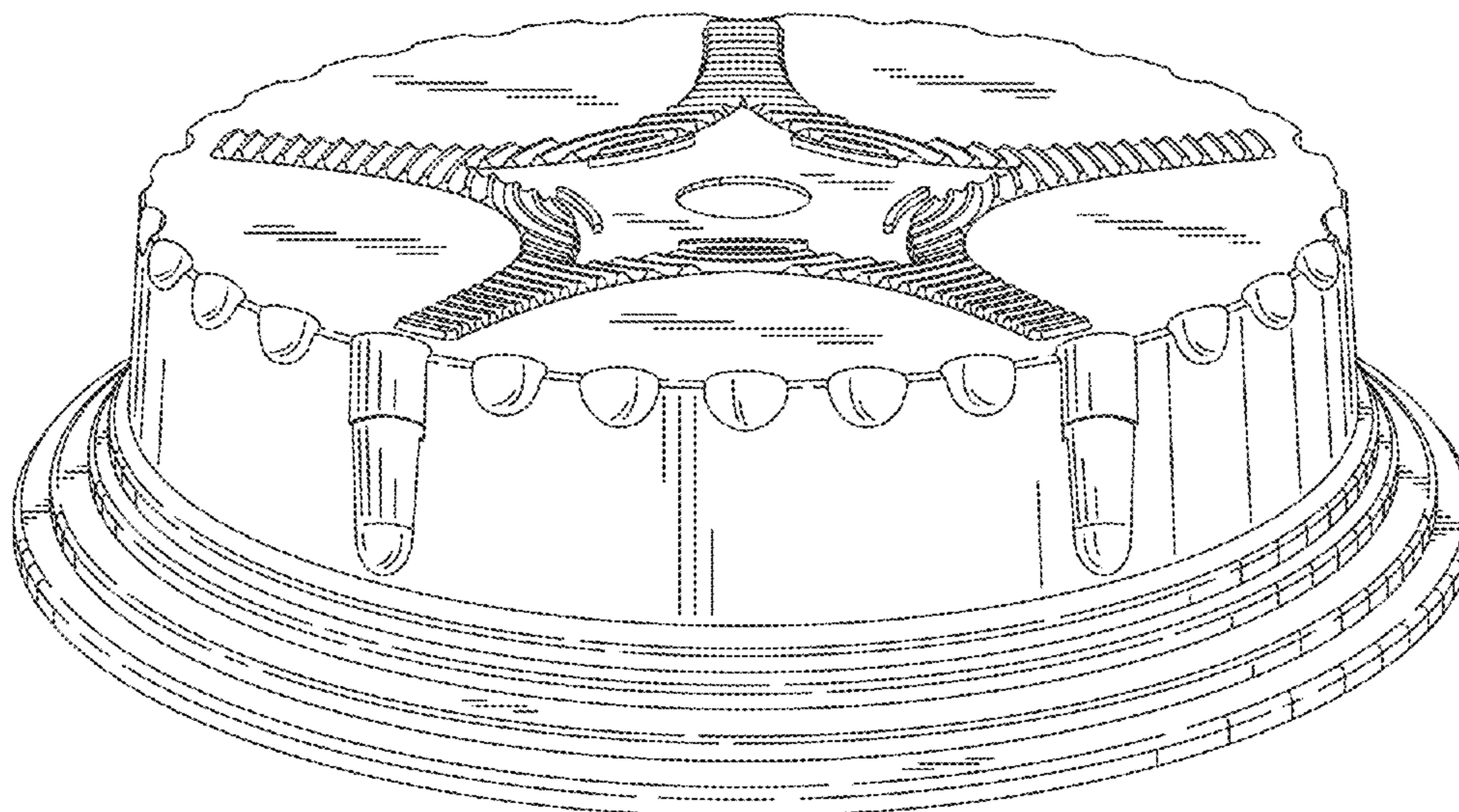
(Continued)  
*Primary Examiner* — Ricky Pham  
(74) *Attorney, Agent, or Firm* — Buchanan Ingersoll & Rooney PC

(57) **CLAIM**  
The ornamental design for a plate cover, as shown and described.

**DESCRIPTION**

FIG. 1 is a perspective view of a plate cover;  
FIG. 2 is a top view of FIG. 1;  
FIG. 3 is a bottom view of FIG. 1;  
FIG. 4 is a right-handed side view of FIG. 1; and,  
FIG. 5 is a left-handed side view of FIG. 1.  
The broken lines shown are included for the purpose of illustrating unclaimed subject matter and form no part of the claimed design.

**1 Claim, 4 Drawing Sheets**



(56)

**References Cited**

U.S. PATENT DOCUMENTS

5,287,959	A	2/1994	Hansen et al.	
5,356,026	A	10/1994	Andress et al.	
5,441,166	A	8/1995	Lucas, Jr. et al.	
D366,616	S *	1/1996	Knickerbocker	..... D9/445
5,604,130	A	2/1997	Warner et al.	
5,763,831	A	6/1998	Shotey et al.	
D433,334	S *	11/2000	Hayes	..... D9/452
D468,582	S *	1/2003	Seager	..... D7/392.1
D562,626	S *	2/2008	Freeman	..... D7/391
D588,866	S *	3/2009	Ho	..... D7/391
D642,011	S *	7/2011	Seager	..... D7/391
8,186,533	B1	5/2012	Tseng	
D682,610	S *	5/2013	Carder	..... D7/392.1
D749,354	S	2/2016	Lentine	
D758,122	S *	6/2016	Simpson	..... A47G 19/03 D7/391
D867,134	S	11/2019	Savenok	
D877,559	S *	3/2020	Ludwig	..... B65D 21/0212 D7/391
D884,415	S	5/2020	Ludwig et al.	
2004/0188442	A1	9/2004	Ohyama	

OTHER PUBLICATIONS

Non-Final Office Action dated Aug. 18, 2020 for U.S. Appl. No. 16/376,042.

Non-Final Office Action for U.S. Appl. No. 16/376,042, filed Apr. 5, 2019 and dated Dec. 4, 2020.

PlateTopper®, 2020, see <http://platetopper.com/>.

PlateTopper®, Sep. 10, 2016, <https://www.youtube.com/watch?v=cqvyTmOHS3w>.

PlateTopper®, 2020, [https://www.amazon.com/PlateTopper-Red/dp/B006ZPTRPS/ref=cm\\_er\\_arp\\_d\\_product\\_top?e=UTF8](https://www.amazon.com/PlateTopper-Red/dp/B006ZPTRPS/ref=cm_er_arp_d_product_top?e=UTF8)).

\* cited by examiner

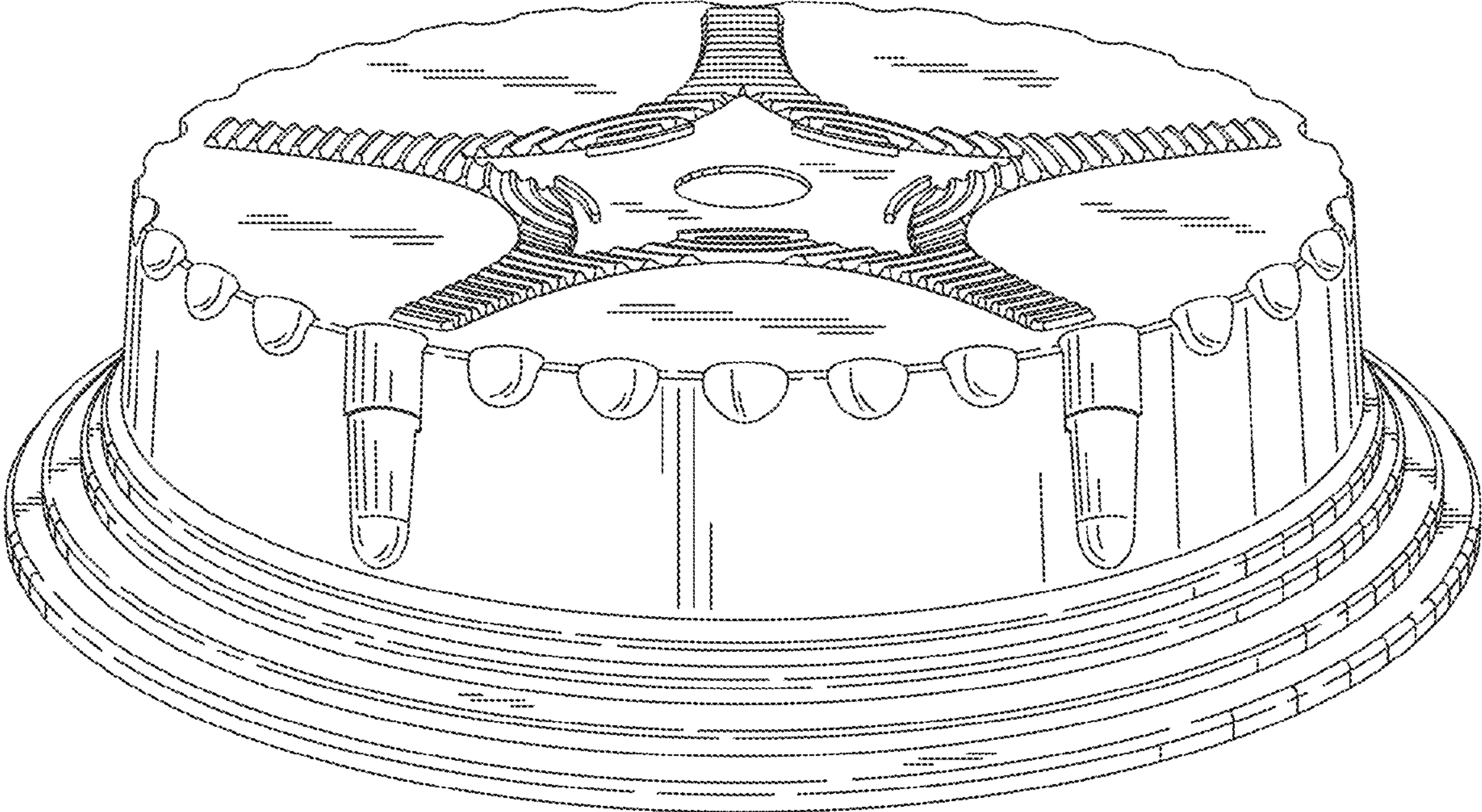


FIG. 1

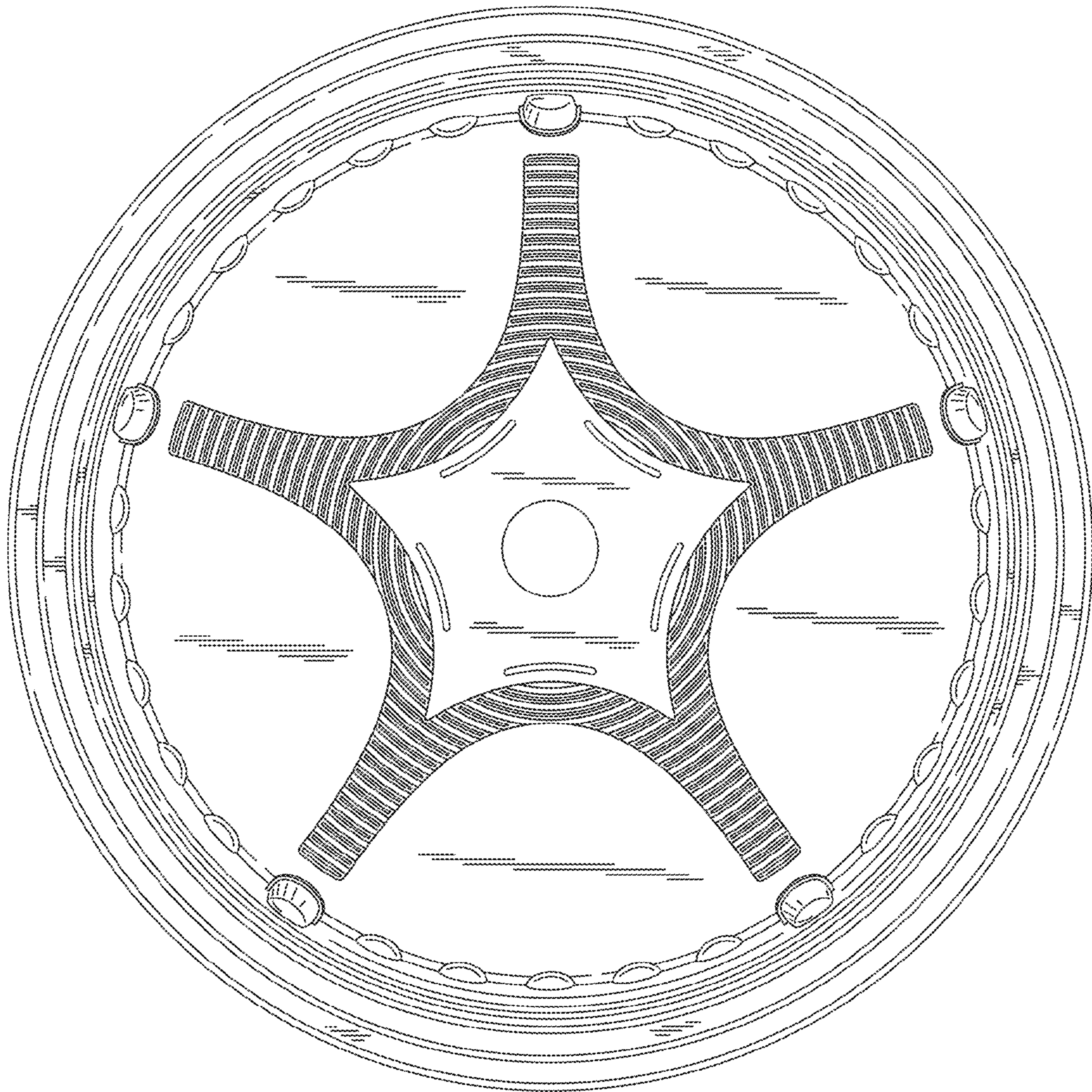


FIG. 2

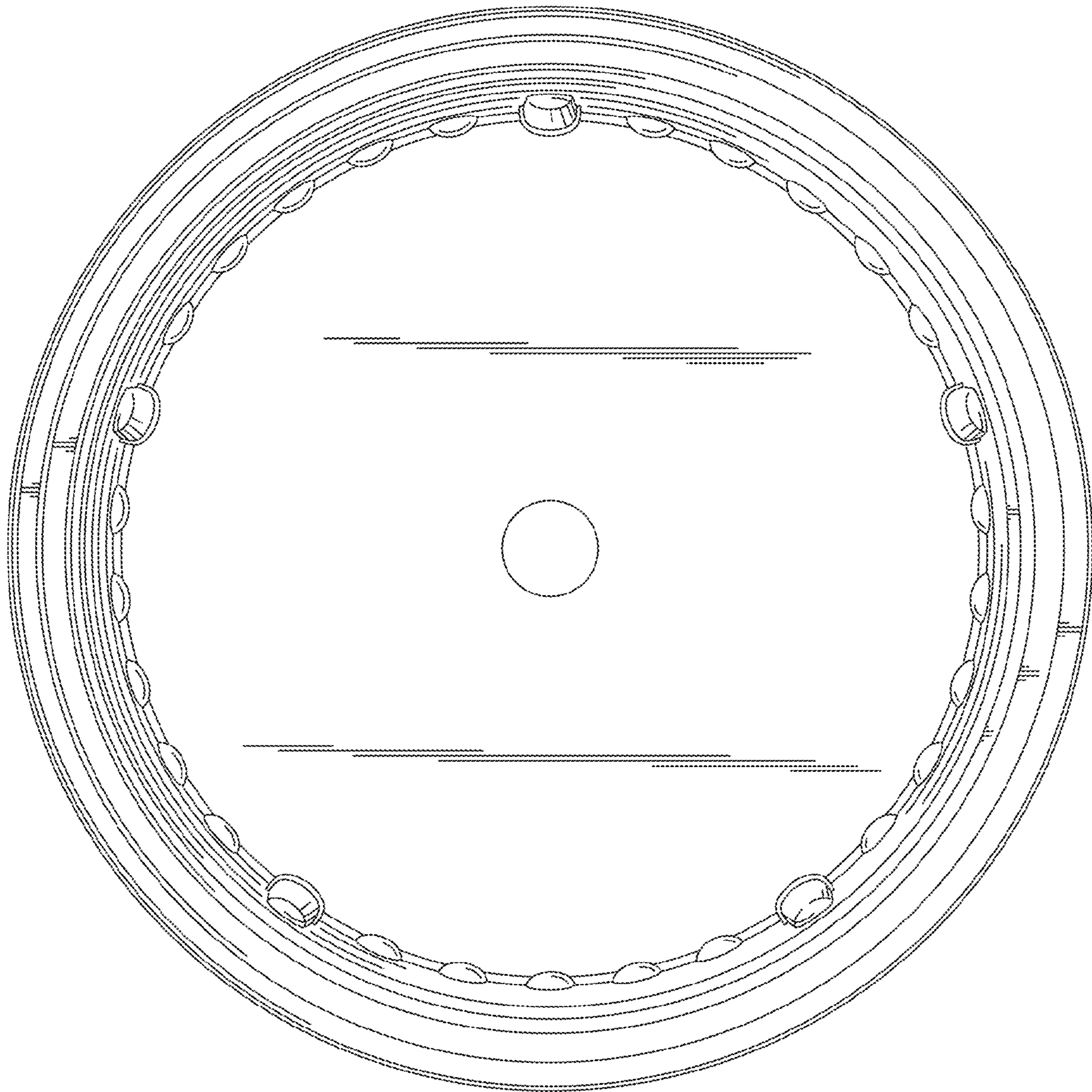


FIG. 3

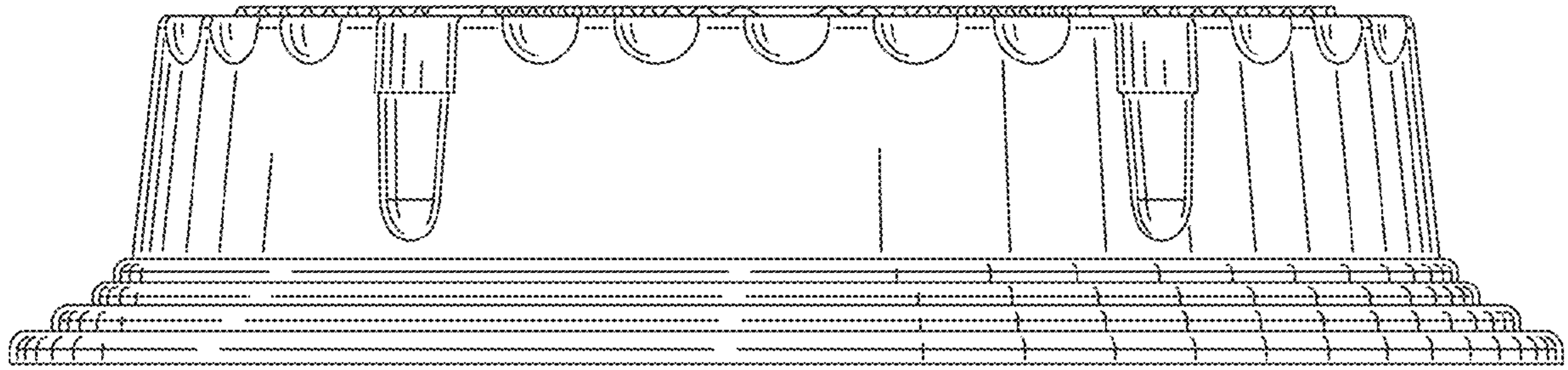


FIG. 4

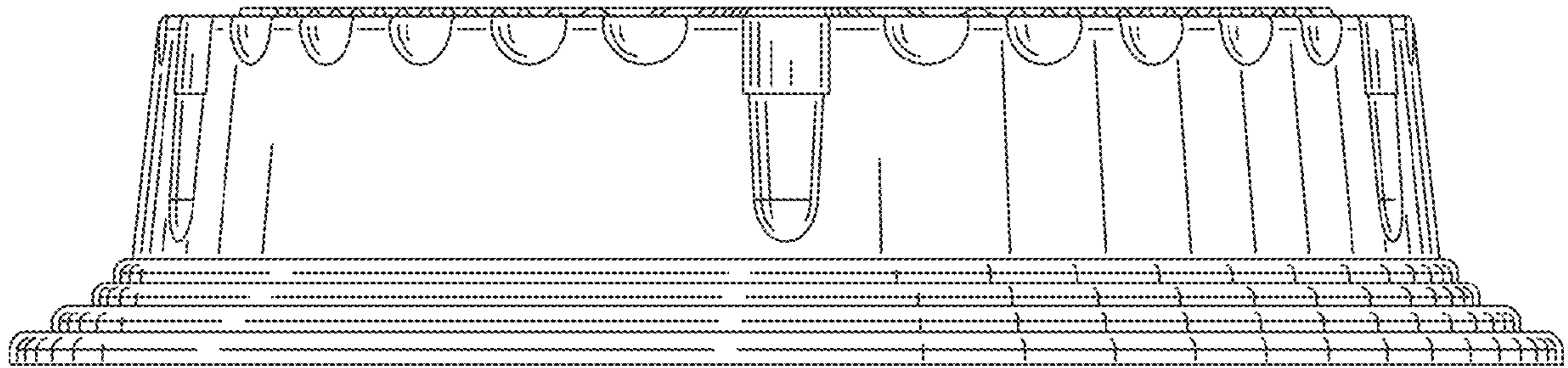


FIG. 5