



US00D955803S

(12) **United States Design Patent**
Boscic et al.

(10) **Patent No.:** **US D955,803 S**
(45) **Date of Patent:** **** Jun. 28, 2022**

- (54) **COOKING POT**
- (71) Applicant: **Dart Industries Inc.**, Orlando, FL (US)
- (72) Inventors: **Andrea Boscic**, Brussels (BE); **Junyu Ye**, Leuven (BE); **Antoon Keymeulen**, Aalst (BE); **Teo Sok Yee**, Singapore (SG)
- (73) Assignee: **Dart Industries Inc.**, Orlando, FL (US)
- (**) Term: **15 Years**
- (21) Appl. No.: **29/772,314**
- (22) Filed: **Mar. 1, 2021**
- (51) **LOC (13) Cl.** **07-02**
- (52) **U.S. Cl.**
USPC **D7/360; D7/354**
- (58) **Field of Classification Search**
USPC D7/323, 354-363, 391, 393-396, 409, D7/542, 543, 545
CPC A47G 19/12; A47J 27/00; A47J 27/002; A47J 27/08; A47J 27/21; A47J 27/58; A47J 36/025; A47J 36/02; A47J 36/06; A47J 36/12; A47J 37/00; A47J 37/0704; A47J 37/10; A47J 37/101; A47J 37/103; A47J 37/12; A47J 37/1204; A47J 45/061; A47J 45/071; A47J 45/08; H05B 6/12
See application file for complete search history.

(56) **References Cited**

U.S. PATENT DOCUMENTS

- D212,704 S * 11/1968 Benes D7/360
- D218,346 S * 8/1970 Aubecq D7/360
- D295,819 S * 5/1988 Mercadante D7/545

- 6,105,810 A * 8/2000 Daenen A47J 36/12
220/366.1
- D589,295 S * 3/2009 Rohrer D7/360
- D667,273 S * 9/2012 Henry D7/542
- D804,891 S * 12/2017 Mirchandani D7/354
- D811,800 S * 3/2018 Workman D7/354
- D880,221 S * 4/2020 Hollinger D7/354
- D931,677 S * 9/2021 Cossu D7/360
- 2011/0252977 A1 * 10/2011 Sacherman A47J 37/0704
99/450
- 2013/0206777 A1 * 8/2013 Hoekstra A47J 27/002
220/573.1
- 2017/0172345 A1 * 6/2017 Bennett A47J 37/101

* cited by examiner

Primary Examiner — Ricky Pham

(74) *Attorney, Agent, or Firm* — Taylor J. Ross

(57) **CLAIM**

The ornamental design for a cooking pot, as shown and described.

DESCRIPTION

FIG. 1 is a top, rear and right side isometric view of a cooking pot showing our new design, the handles shown in phantom lines;

FIG. 2 is a bottom, front and right side isometric view thereof;

FIG. 3 is a top plan view thereof;

FIG. 4 is a bottom plan view thereof;

FIG. 5 is a front view, the rear being a mirror image thereof;

FIG. 6 is a right side view, the left side being a mirror image thereof; and,

FIG. 7 is a cross-sectional view taken along line 7-7 of FIG. 3.

The broken lines shown in the drawings are for illustrative purposes only and form no part of the claimed design.

1 Claim, 3 Drawing Sheets

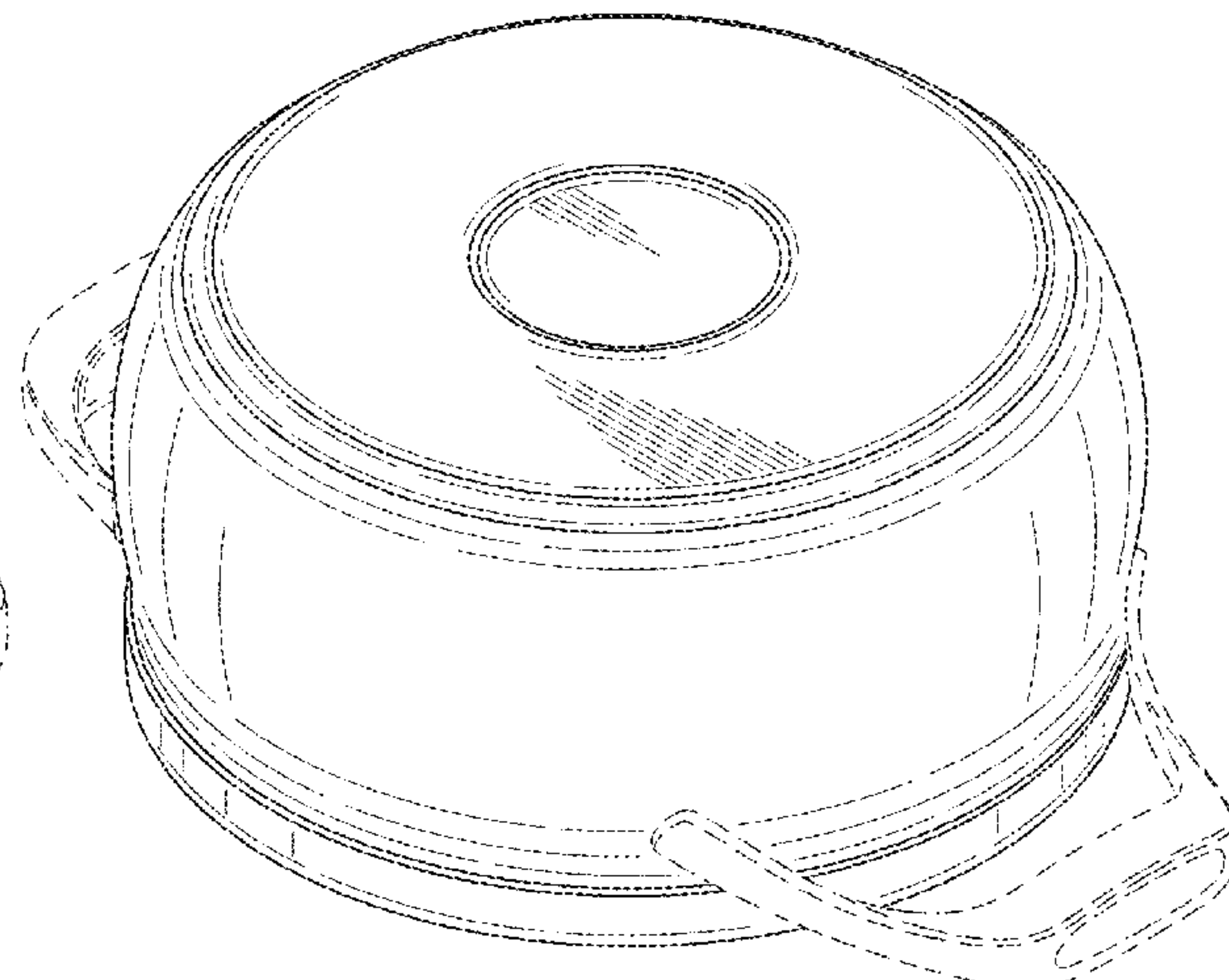
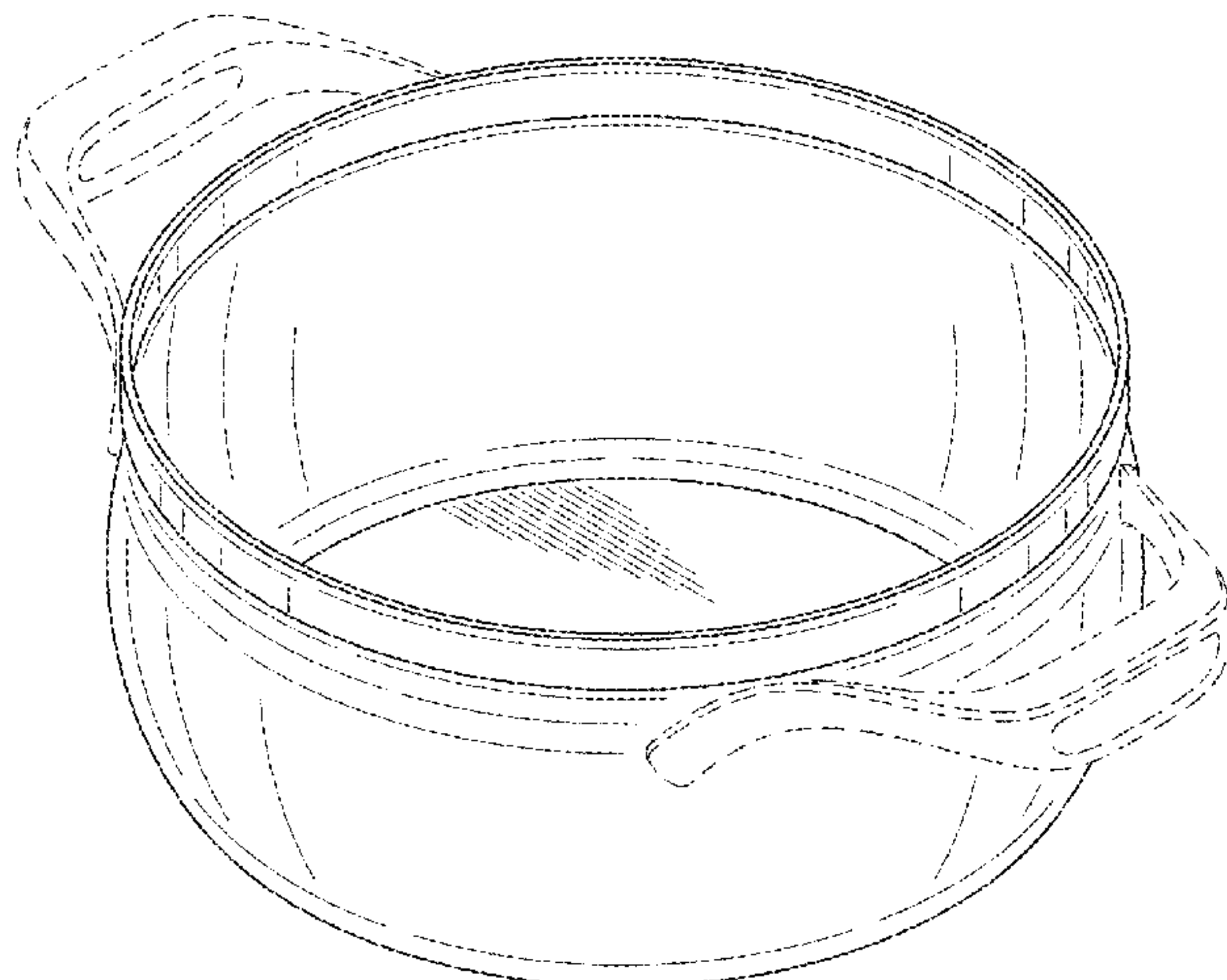


FIG. 1

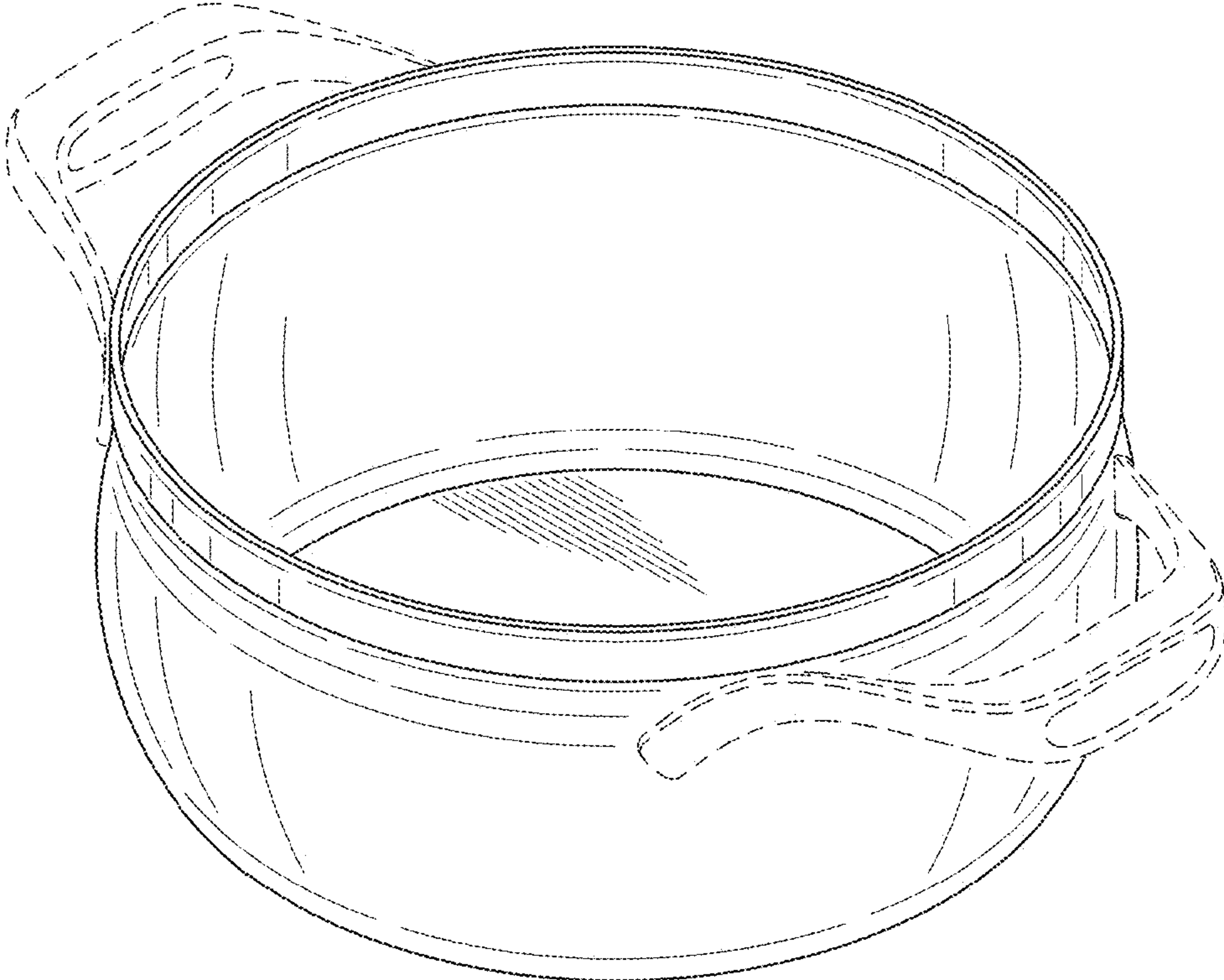


FIG. 2

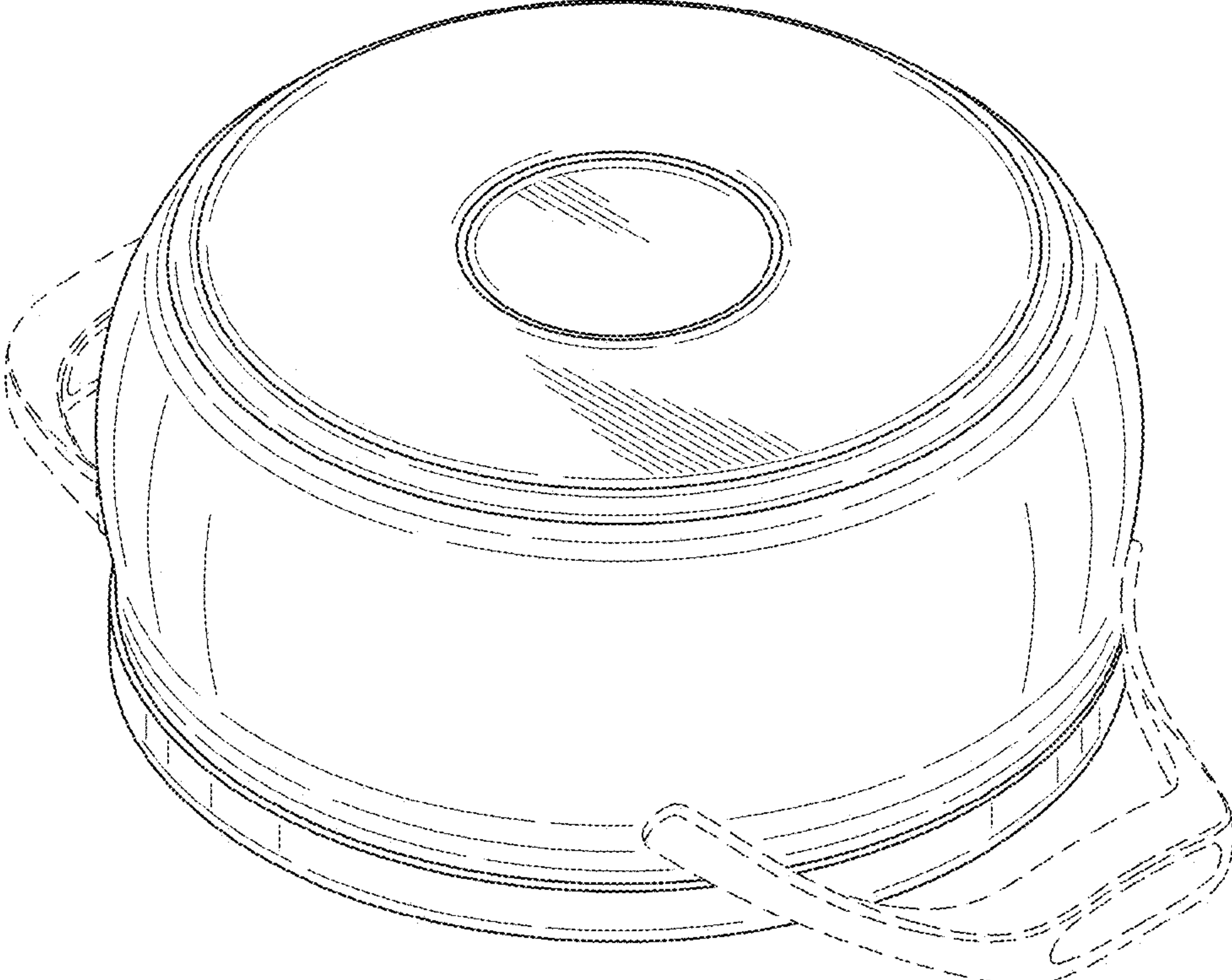


FIG. 3

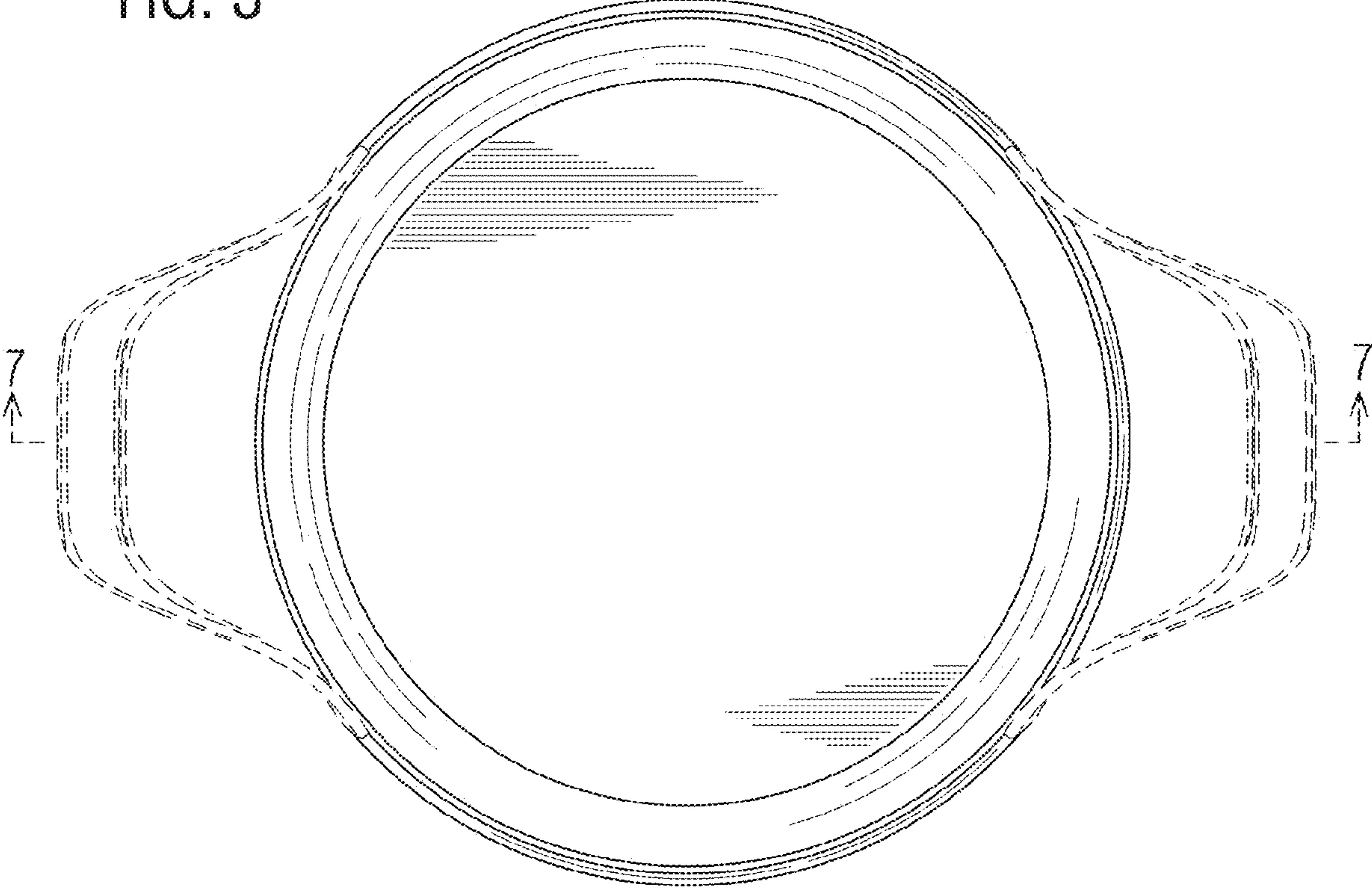


FIG. 4

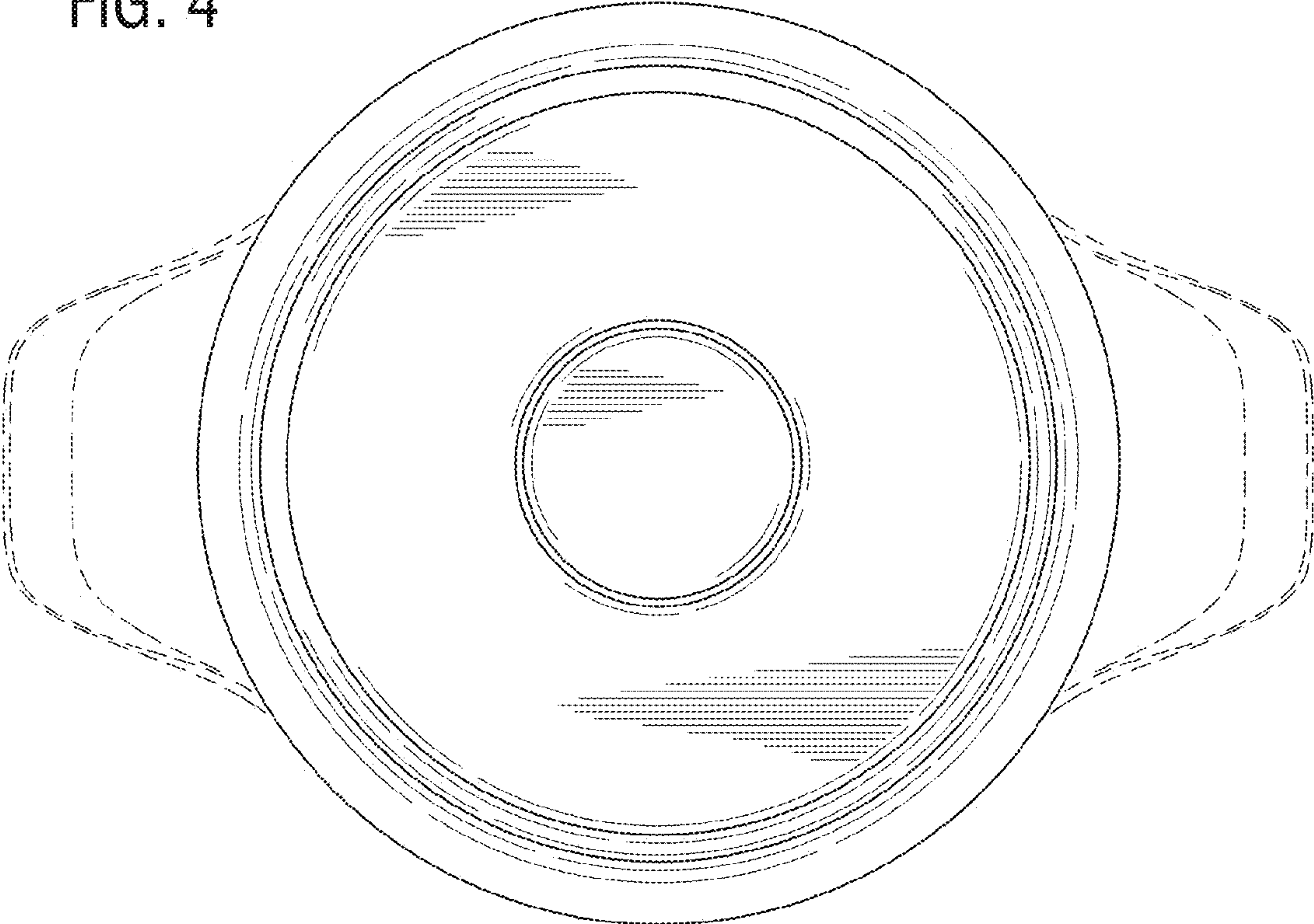


FIG. 5

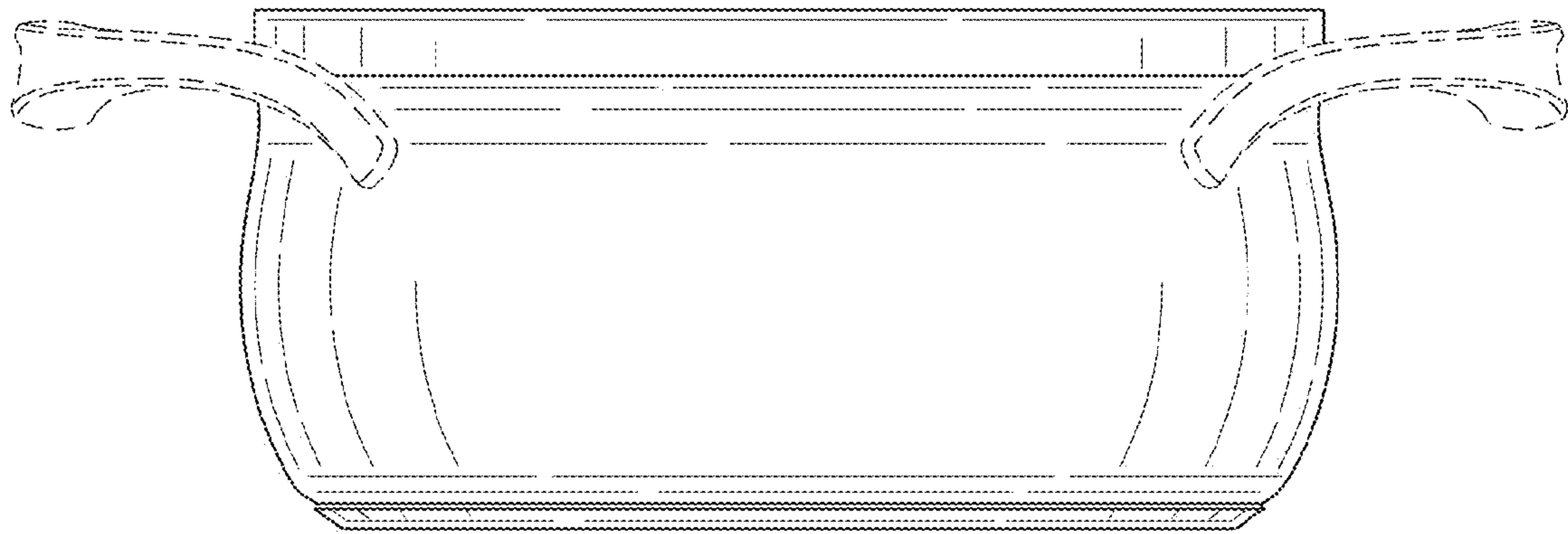


FIG. 6

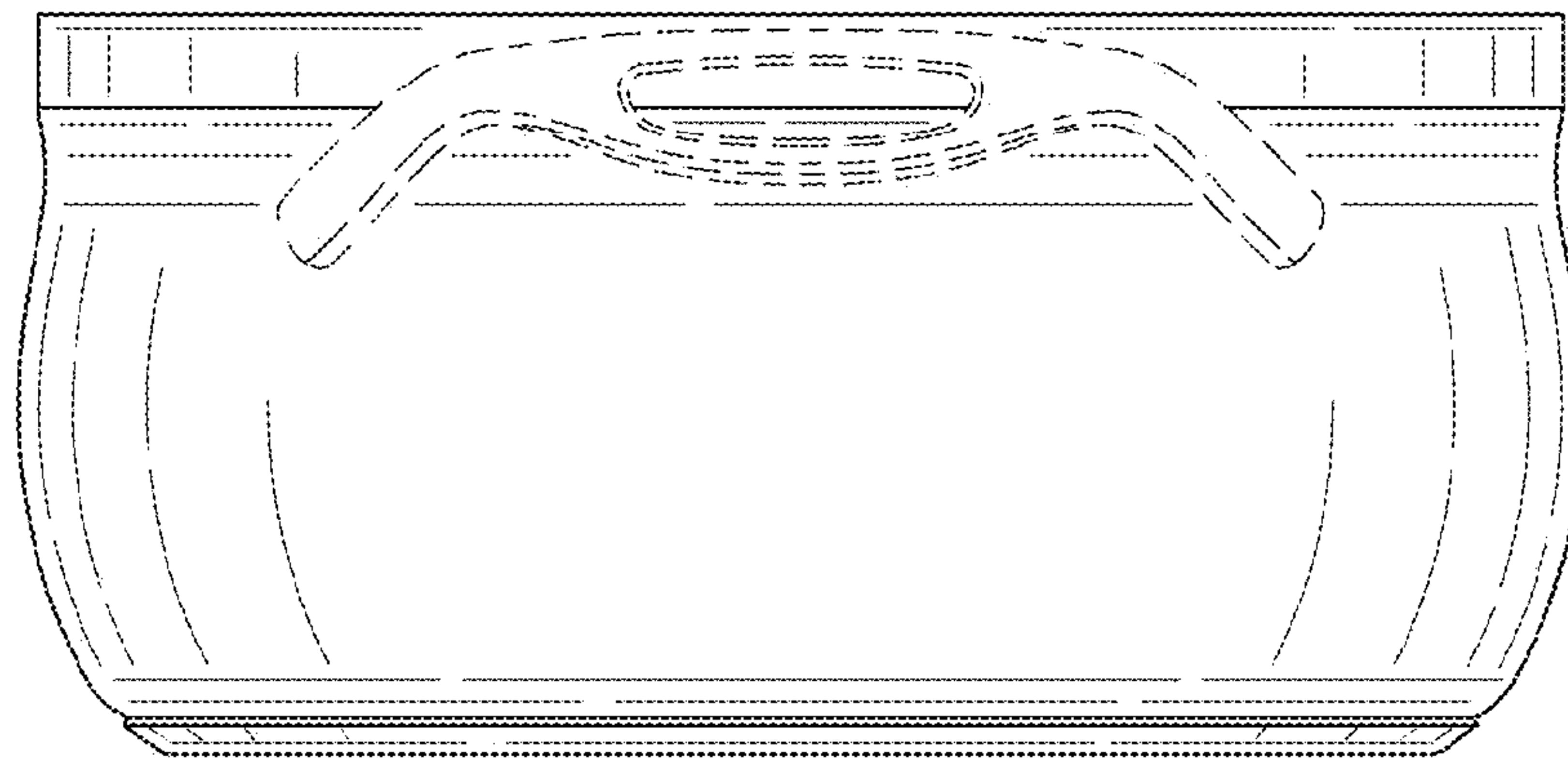


FIG. 7

