



US00D955802S

(12) **United States Design Patent**
Jiang et al.

(10) **Patent No.:** **US D955,802 S**
(45) **Date of Patent:** **** Jun. 28, 2022**

(54) **ELECTRIC PRESSURE COOKER**
(71) Applicant: **BEIJING XIAOMI MOBILE SOFTWARE CO., LTD., Beijing (CN)**
(72) Inventors: **Jing Jiang, Beijing (CN); Ningning Li, Beijing (CN); Baowen Zhao, Beijing (CN)**
(73) Assignee: **BEIJING XIAOMI MOBILE SOFTWARE CO., LTD., Beijing (CN)**
(**) Term: **15 Years**
(21) Appl. No.: **35/510,993**
(22) Filed: **Oct. 16, 2020**
(80) **Hague Agreement Data**
Int. Filing Date: **Oct. 16, 2020**
Int. Reg. No.: **DM/211589**
Int. Reg. Date: **Oct. 16, 2020**
Int. Reg. Pub. Date: **Dec. 18, 2020**

(30) **Foreign Application Priority Data**
Apr. 30, 2020 (CN) 202030191307.0
(51) **LOC (13) Cl.** **07-02**
(52) **U.S. Cl.**
USPC **D7/358**
CPC **A47J 27/0804 (2013.01)**
(58) **Field of Classification Search**
USPC D7/323, 332, 354-361, 391, 393
CPC A47J 27/0804; A47J 36/10
See application file for complete search history.

(56) **References Cited**
U.S. PATENT DOCUMENTS
D330,825 S * 11/1992 Sekita D7/354
D337,479 S * 7/1993 Doi D7/354
D368,620 S * 4/1996 Piret D7/354

D432,349 S * 10/2000 Jo D7/358
D448,965 S * 10/2001 Jang-Won D7/358
D486,351 S * 2/2004 Lu D7/354
D607,267 S * 1/2010 Molayem D7/358
D653,902 S * 2/2012 Chen D7/354
D704,500 S * 5/2014 Kim D7/354
D763,036 S * 8/2016 Smart D7/354
D787,881 S * 5/2017 Barquin D7/354
D798,650 S * 10/2017 Joseph D7/354
D804,890 S * 12/2017 Benoit D7/354
D827,360 S * 9/2018 Chung D7/354
D828,078 S * 9/2018 Mattei D7/361
D832,638 S * 11/2018 Hiltenbrand D7/358
D854,875 S * 7/2019 Tan D7/354
D886,510 S * 6/2020 Zhang D7/354
D887,197 S * 6/2020 Li D7/354
D887,198 S * 6/2020 Zhao D7/354
D900,529 S * 11/2020 You D7/358
D907,426 S * 1/2021 Hua D7/354
D907,427 S * 1/2021 Ye D7/354
D915,125 S * 4/2021 Moon D7/354
D915,126 S * 4/2021 Moon D7/354
D920,732 S * 6/2021 Deng D7/354
D920,733 S * 6/2021 Cozzolino D7/358
D935,834 S * 11/2021 You D7/358
D938,217 S * 12/2021 Luo D7/354

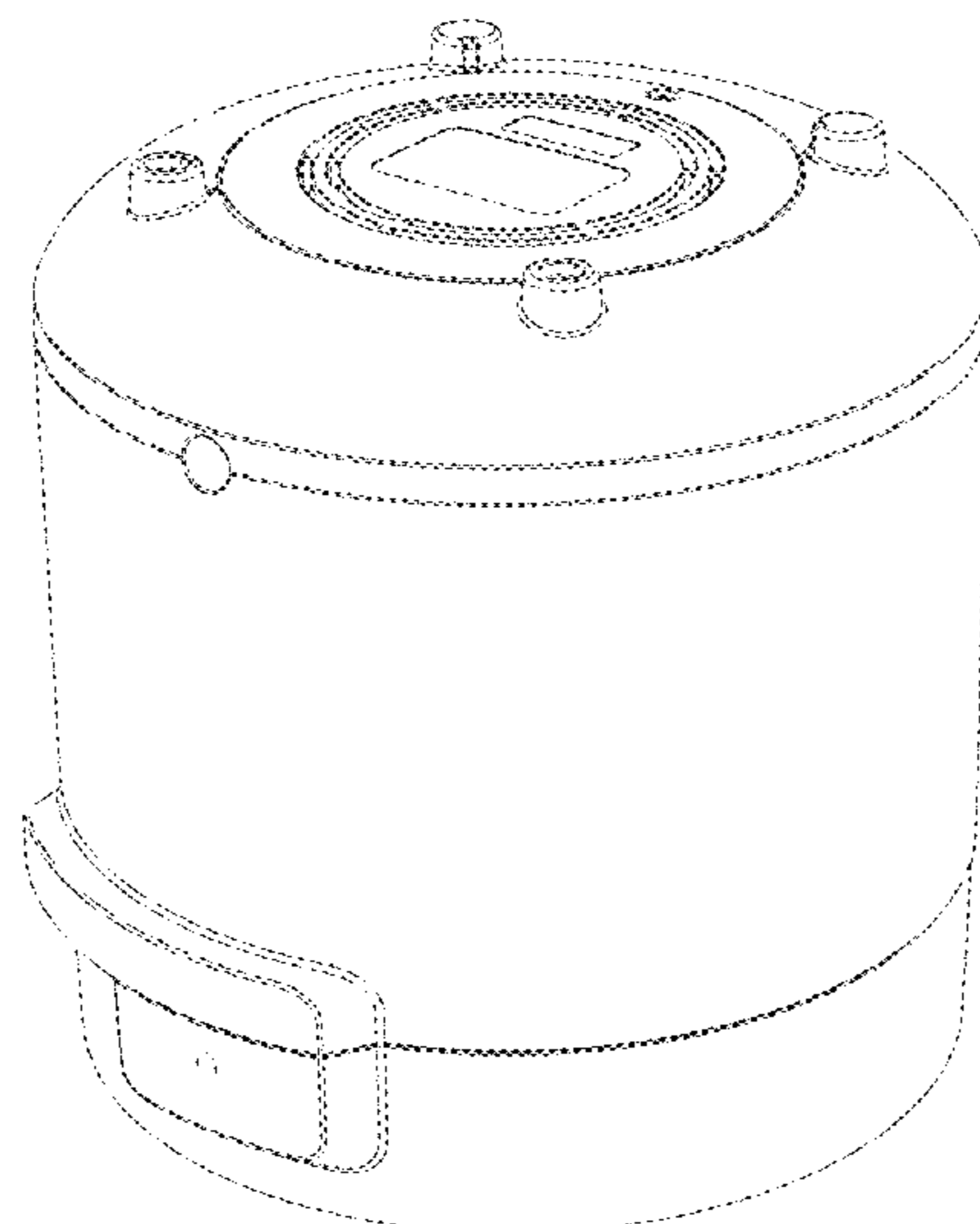
(Continued)

Primary Examiner — Richard E Chilcot
(74) *Attorney, Agent, or Firm* — Syncoda LLC; Feng Ma

(57) **CLAIM**
The ornamental design for an electric pressure cooker, as shown and described.

DESCRIPTION
1. Electric pressure cooker
1.1 : Front
1.2 : Back
1.3 : Left
1.4 : Right
1.5 : Top
1.6 : Bottom
1.7 : Perspective
1.8 : Perspective

1 Claim, 8 Drawing Sheets



(56)

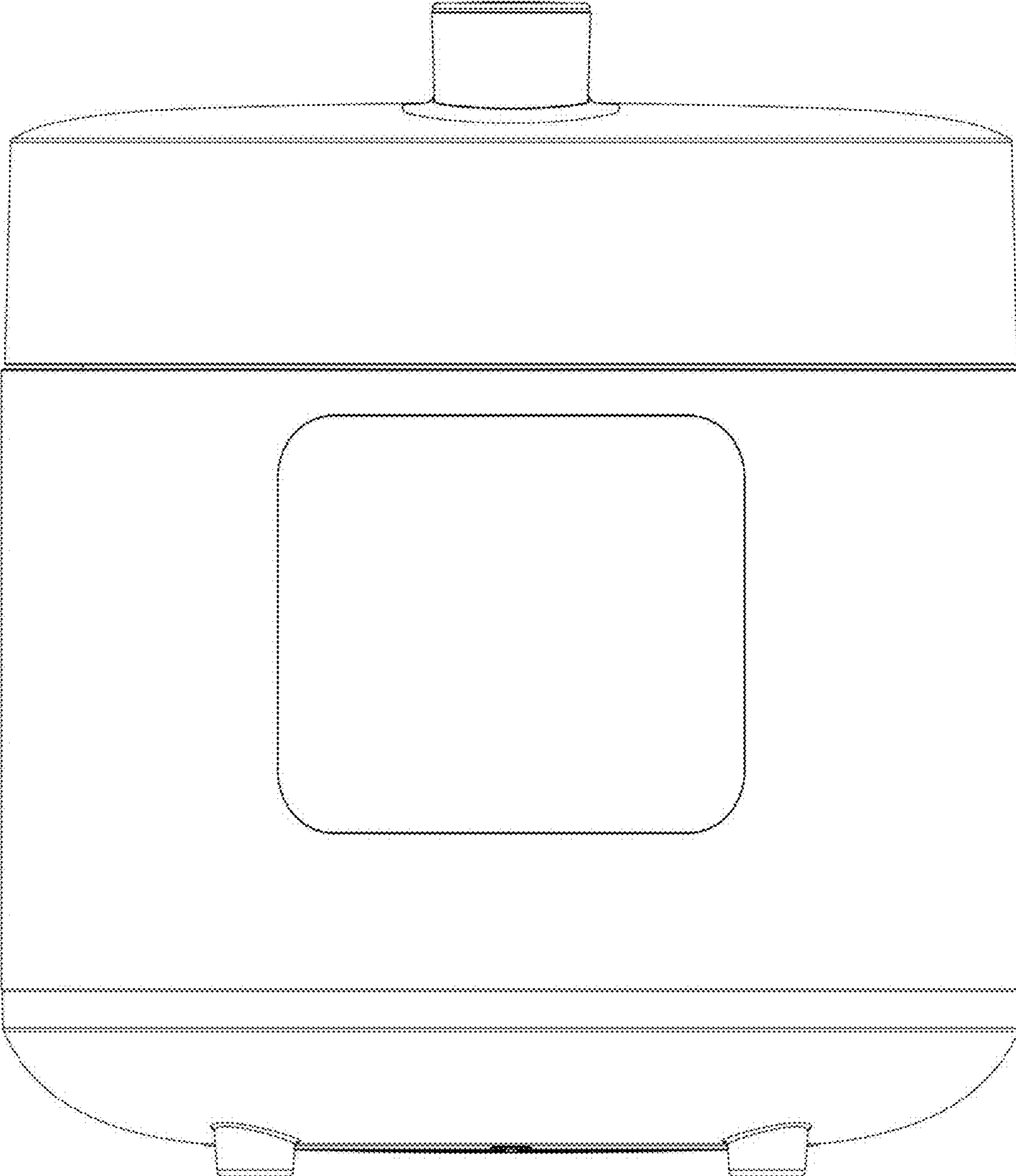
References Cited

U.S. PATENT DOCUMENTS

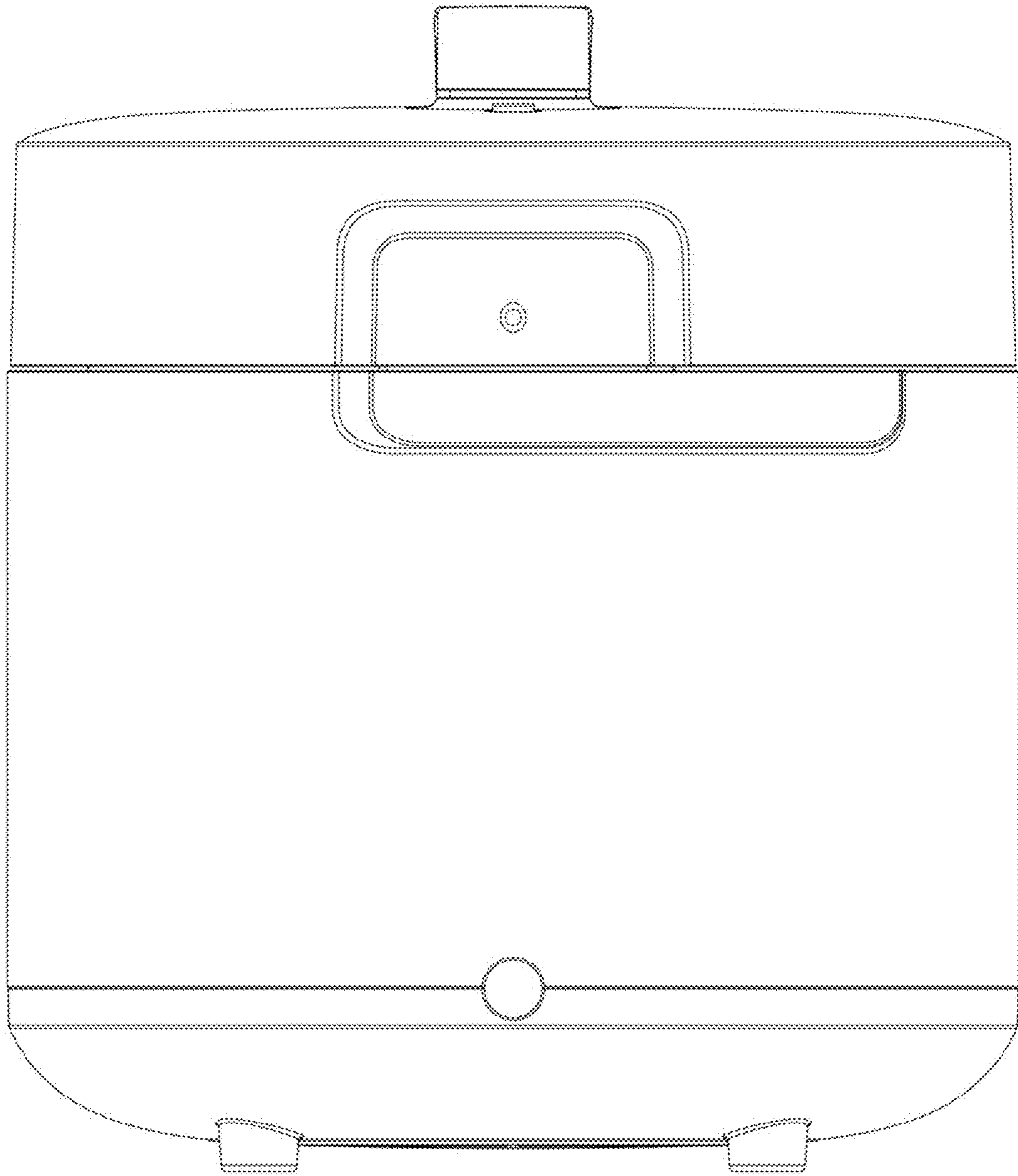
2013/0019759 A1* 1/2013 Tumenbatur A47J 27/0813
126/374.1
2018/0110355 A1* 4/2018 Huang A47J 27/09
2019/0254462 A1* 8/2019 Lei A47J 27/56
2020/0000263 A1* 1/2020 Peng A47J 27/0802
2021/0315408 A1* 10/2021 Mei A47J 27/0804

* cited by examiner

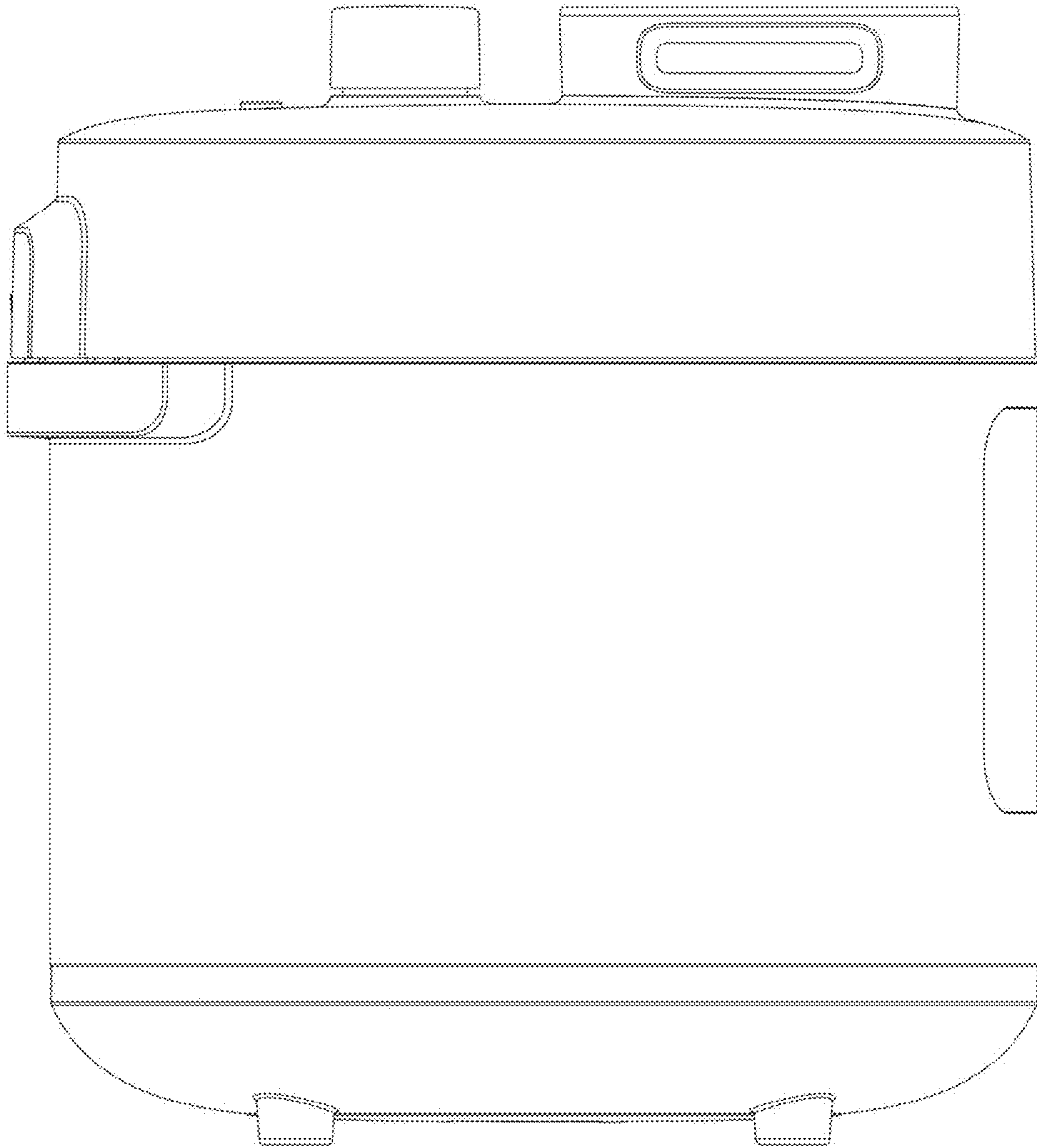
1.1



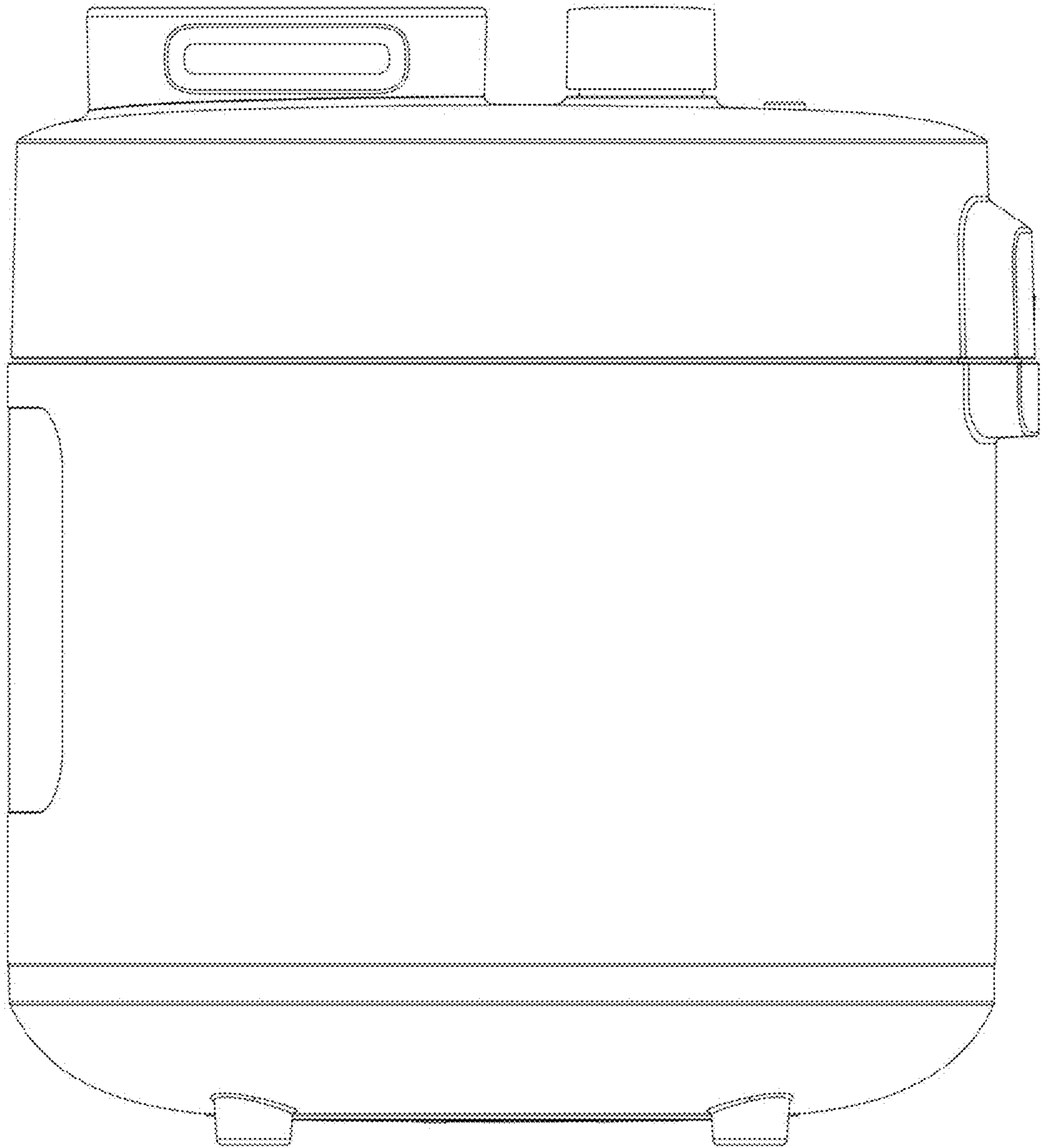
1.2



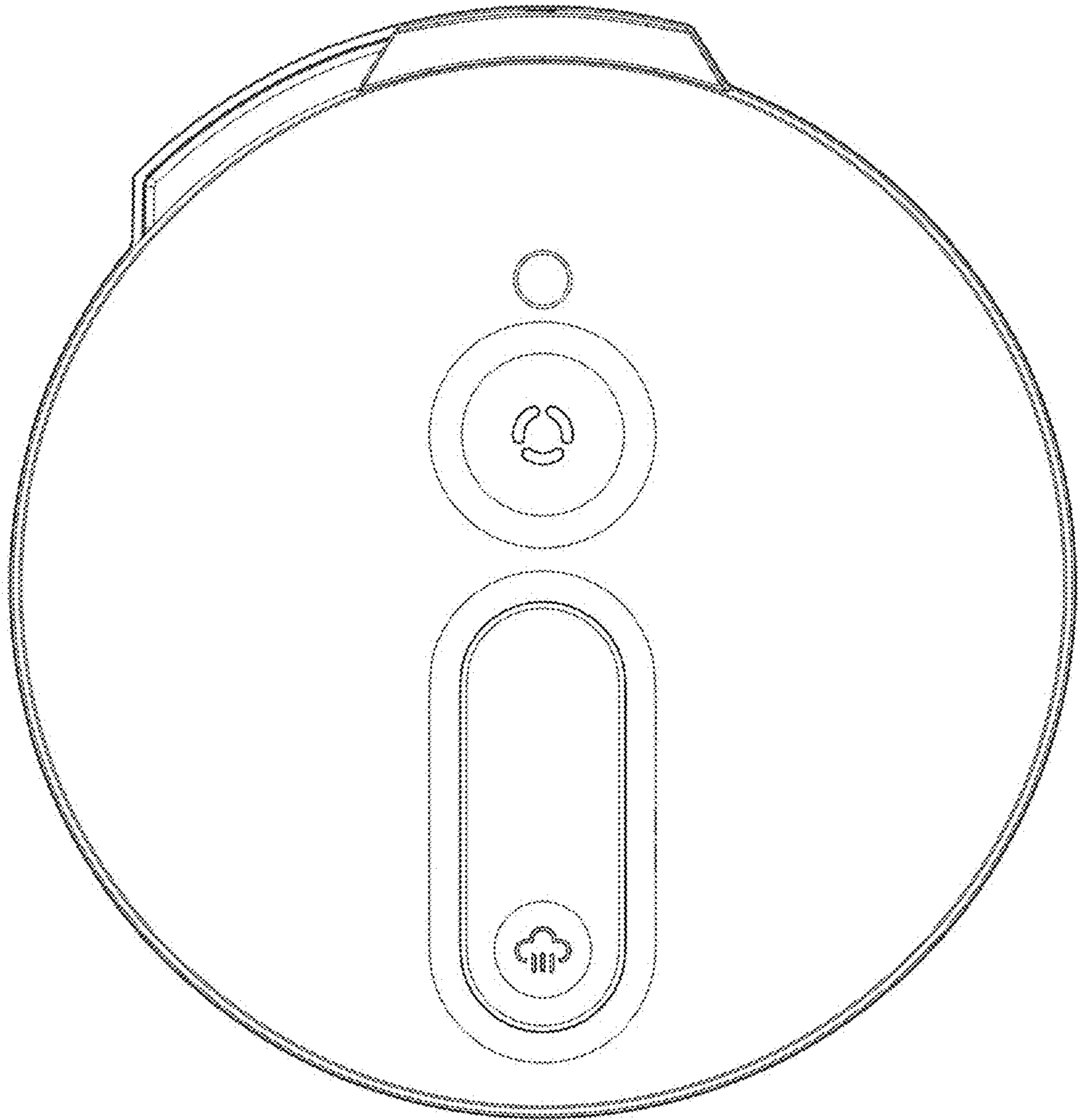
1.3



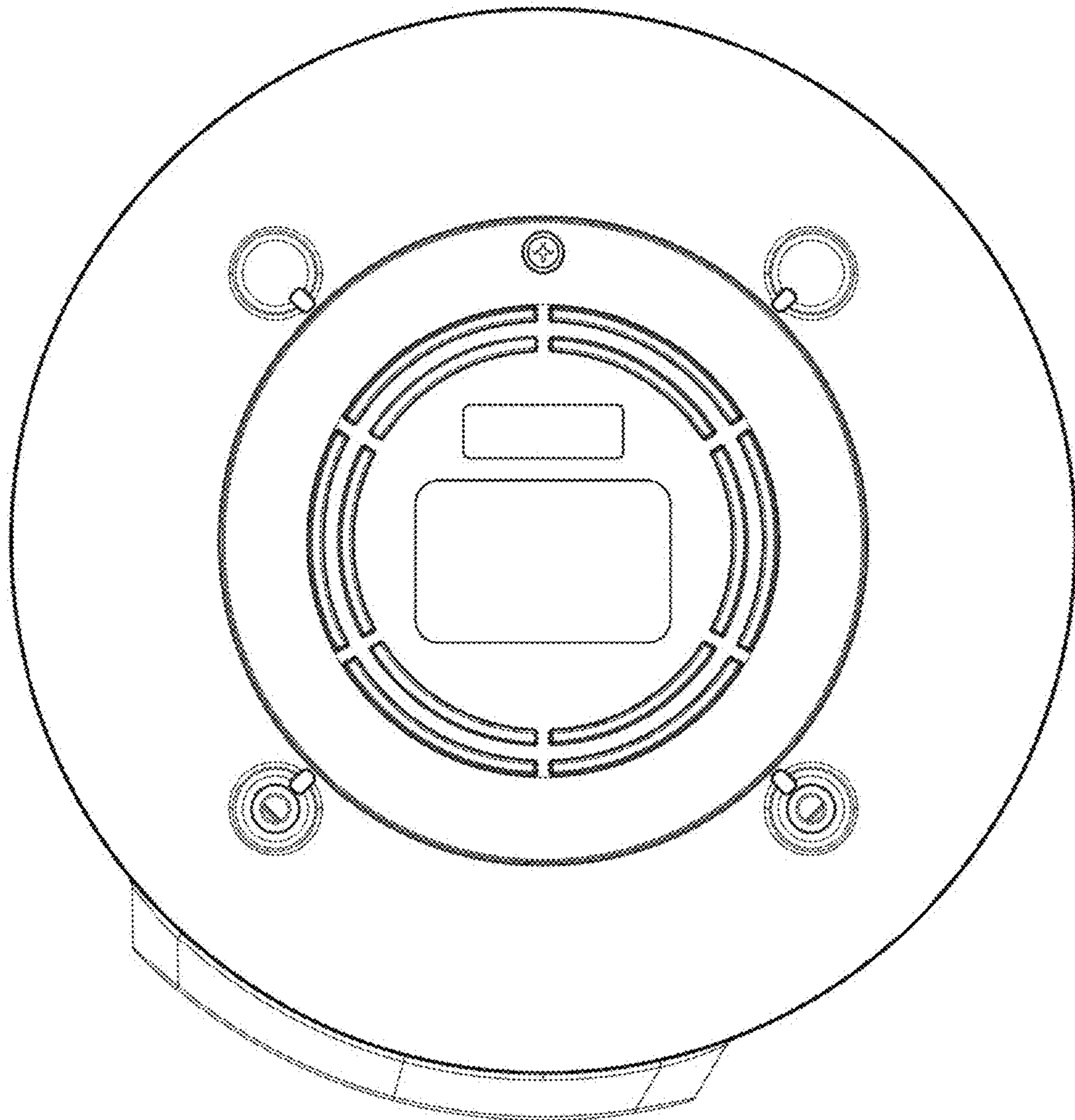
1.4



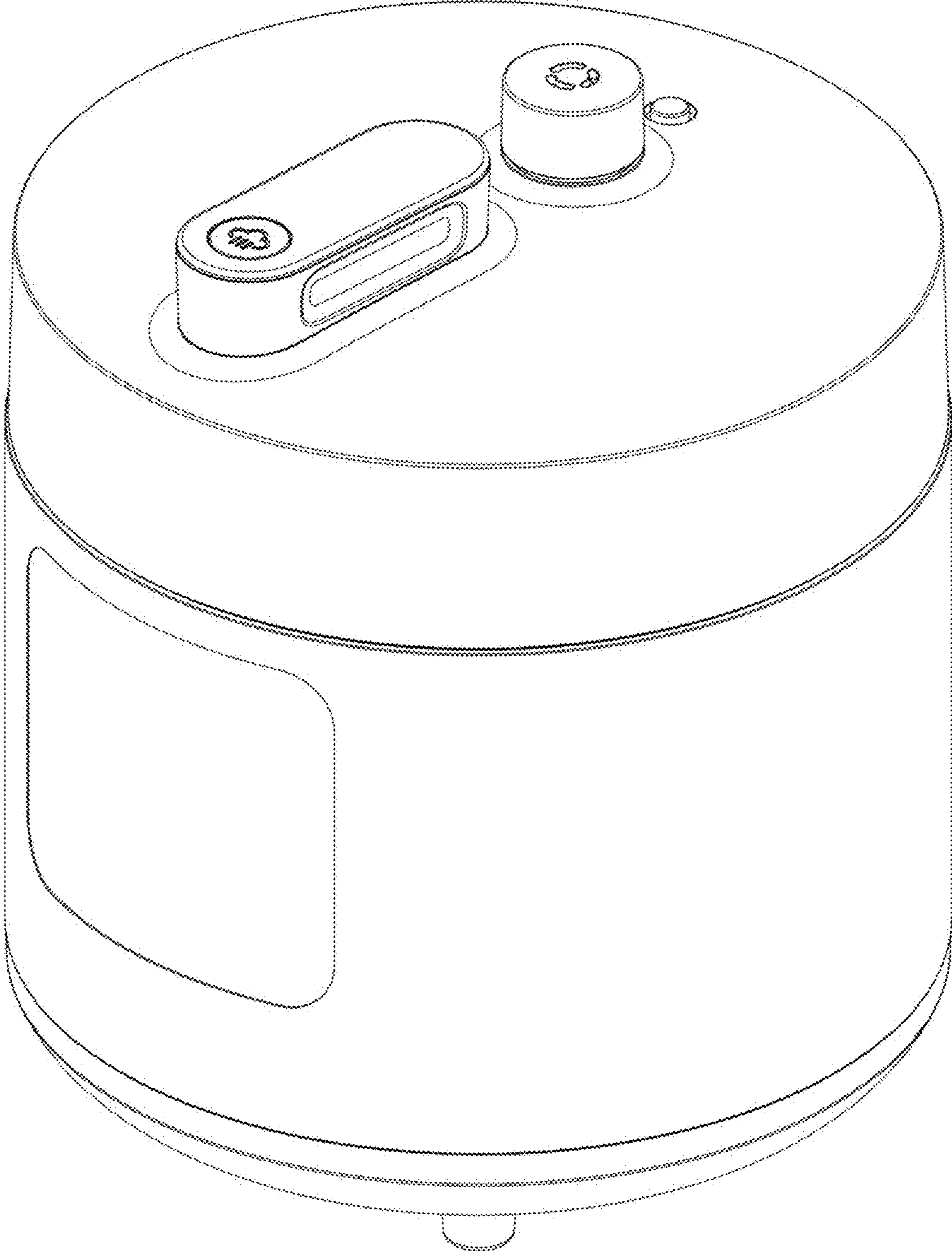
1.5



1.6



1.7



1.8

