



US00D955800S

(12) **United States Design Patent**
Kim et al.

(10) **Patent No.:** **US D955,800 S**

(45) **Date of Patent:** **** Jun. 28, 2022**

(54) **OVEN**

(71) Applicant: **Samsung Electronics Co., Ltd.**,
Suwon-si (KR)

(72) Inventors: **Kyu-Seok Kim**, Suwon-si (KR);
Jae-Jun Kim, Suwon-si (KR);
Sun-Min Lee, Suwon-si (KR);
Hwan-Woong Choi, Suwon-si (KR)

(73) Assignee: **Samsung Electronics Co., Ltd.**,
Suwon-si (KR)

(**) Term: **15 Years**

(21) Appl. No.: **29/741,835**

(22) Filed: **Jul. 16, 2020**

(30) **Foreign Application Priority Data**

May 22, 2020 (KR) 30-2020-0022580

(51) **LOC (13) Cl.** **07-02**

(52) **U.S. Cl.**
USPC **D7/350.1**

(58) **Field of Classification Search**
USPC D7/323, 328, 332-337, 339, 340,
D7/347-351, 354, 387, 393, 396, 402,
D7/405-409
CPC A47J 37/00; A47J 37/06; A47J 37/0605;
A47J 37/0623; A47J 37/0629; A47J
37/0635; A47J 37/0641; A47J 37/0647;
A47J 37/0658; F24C 7/00; F24C 7/02;
F24C 7/04

See application file for complete search history.

(56) **References Cited**

U.S. PATENT DOCUMENTS

D262,349 S * 12/1981 Rinaldi D7/350.3
D708,005 S * 7/2014 Kurt D7/350.4
D717,581 S * 11/2014 Kim D7/351
D764,227 S * 8/2016 Jeon D7/402

D783,336 S * 4/2017 Suh D7/351
D802,996 S * 11/2017 Bhogal D7/405
D842,638 S * 3/2019 Filinesi D7/348
D861,409 S * 10/2019 Bhogal D7/328

(Continued)

FOREIGN PATENT DOCUMENTS

CN 2017302292812 12/2017
CN 2018303209770 11/2018

(Continued)

OTHER PUBLICATIONS

Design No. 306608658, Jan. 6, 2021—China National Intellectual Property Administration (CNIPA) Publication Date—Jun. 15, 2021
Owner—Guangdong Galanz Enterprises Co Ltd, Designer—Sun Zikang WIPO, available at <https://www3.wipo.int/designdb/en/index.jsp> (Year: 2021).*

(Continued)

Primary Examiner — Mary Ann Calabrese
Assistant Examiner — Natalya M Rapundalo
(74) *Attorney, Agent, or Firm* — NSIP Law

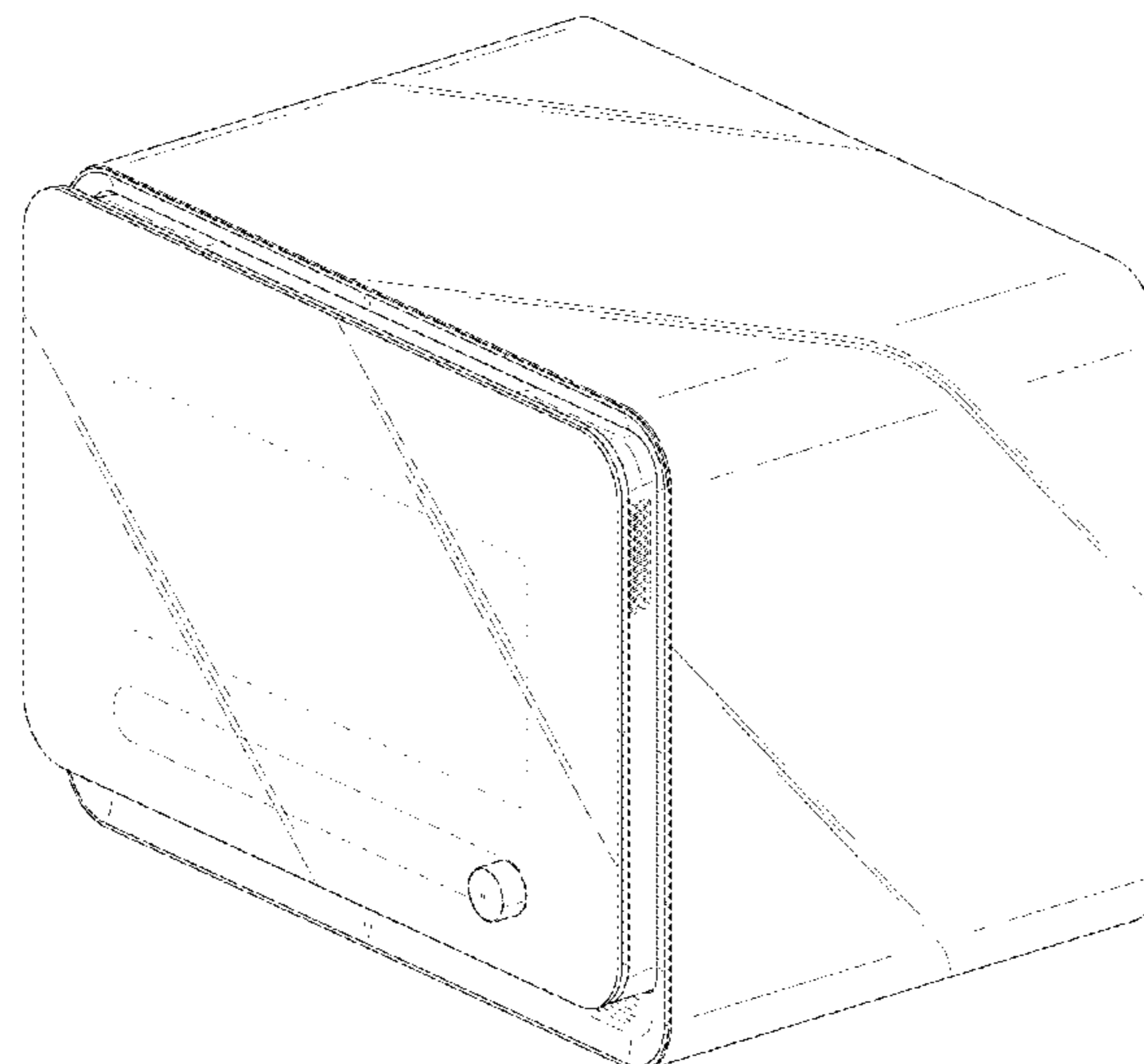
(57) **CLAIM**

We claim the ornamental design for an oven, as shown and described.

DESCRIPTION

FIG. 1 is a front perspective view of an oven showing our new design;
FIG. 2 is a front view thereof;
FIG. 3 is a rear view thereof;
FIG. 4 is a left-side view thereof;
FIG. 5 is a right-side view thereof;
FIG. 6 is a top view thereof; and,
FIG. 7 is a bottom view thereof.
The broken lines in the figures depict portions of the oven which form no part of the claimed design.

1 Claim, 7 Drawing Sheets



(56)

References Cited

U.S. PATENT DOCUMENTS

D878,136 S * 3/2020 Bhogal H05B 6/647
D7/328
D909,807 S * 2/2021 Xu H05B 6/6414
D7/351
D934,619 S * 11/2021 Lees D7/350.1
2018/0045420 A1* 2/2018 Yeo H05B 6/6414
2021/0353097 A1* 11/2021 Jeong H05B 6/647

FOREIGN PATENT DOCUMENTS

CN 2019302492199 10/2019
CN 201930429855X 12/2019
CN 2019303940826 1/2020

OTHER PUBLICATIONS

FOTILE Chefcubii 4-in-1 Countertop Convection Steam Combi
Oven Air Fryer Food Dehydrator, first available Sep. 27, 2021,
Amazon, [online], [site visited Feb. 10, 2022], Available from
internet URL: [https://www.amazon.com/FOTILE-Chefcubii-
Countertop-Convection-Temperature/dp/B09H1CGRTV](https://www.amazon.com/FOTILE-Chefcubii-Countertop-Convection-Temperature/dp/B09H1CGRTV) (Year: 2021).*

* cited by examiner

FIG. 1

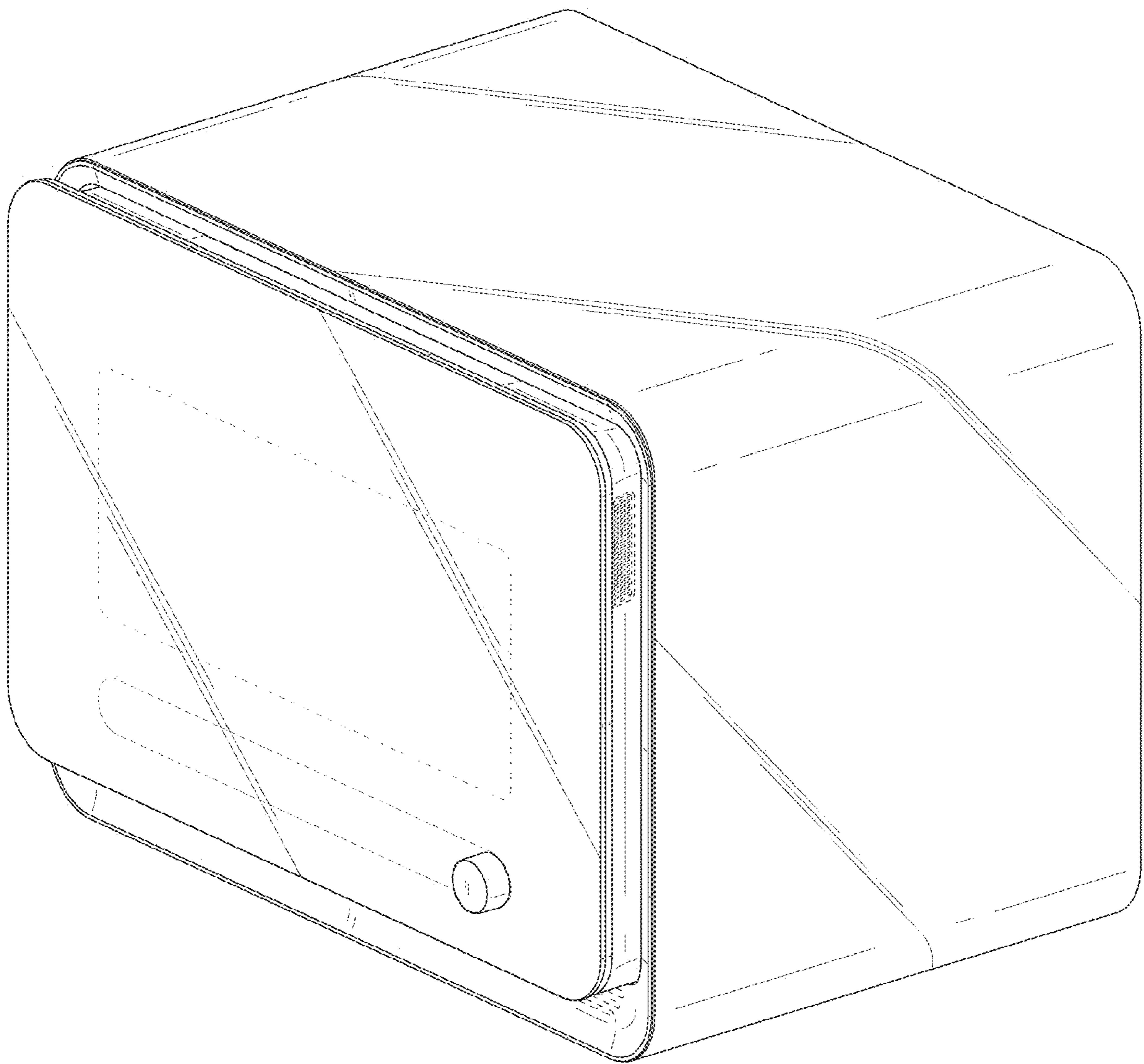


FIG. 2

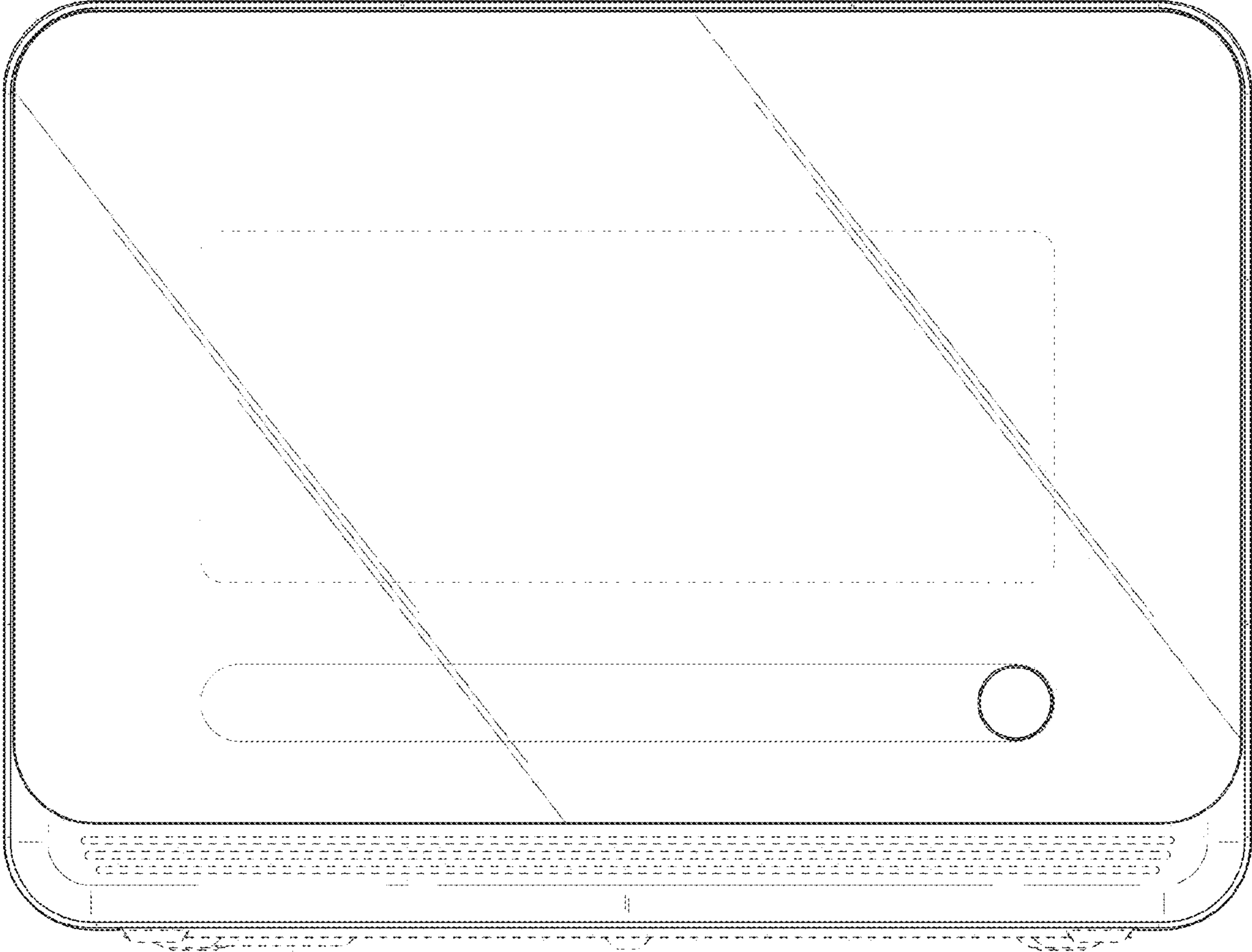


FIG. 3

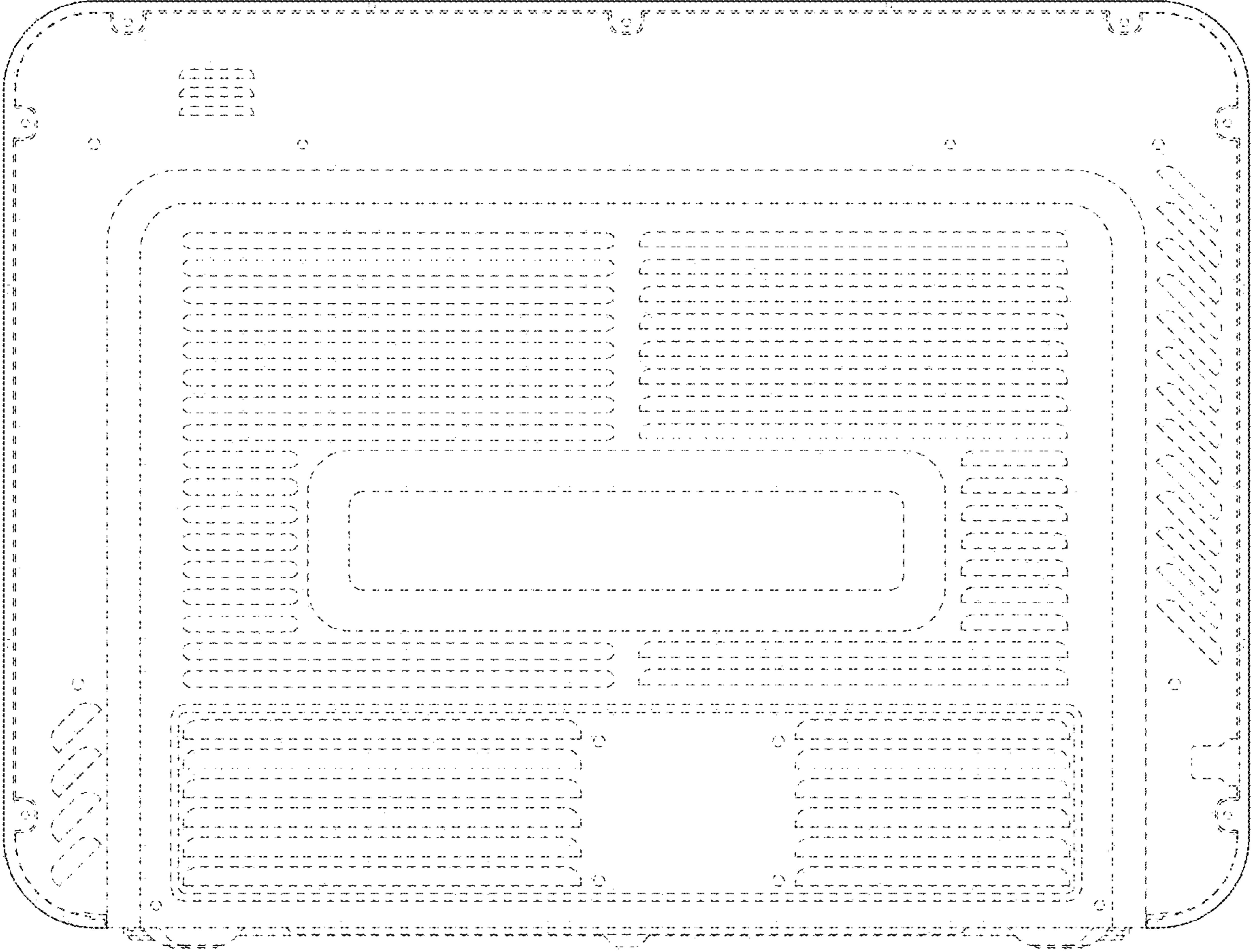


FIG. 4

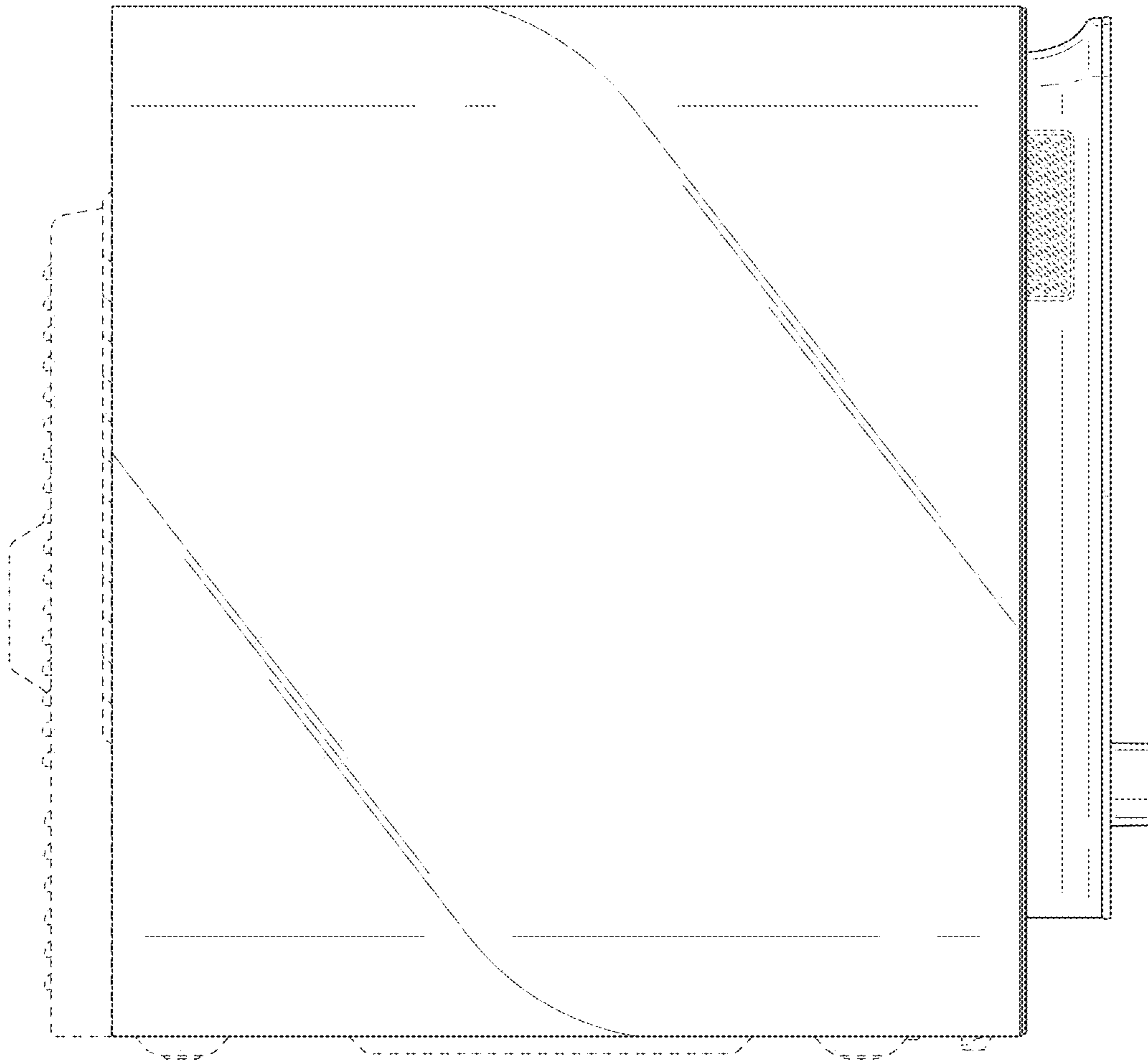


FIG. 5

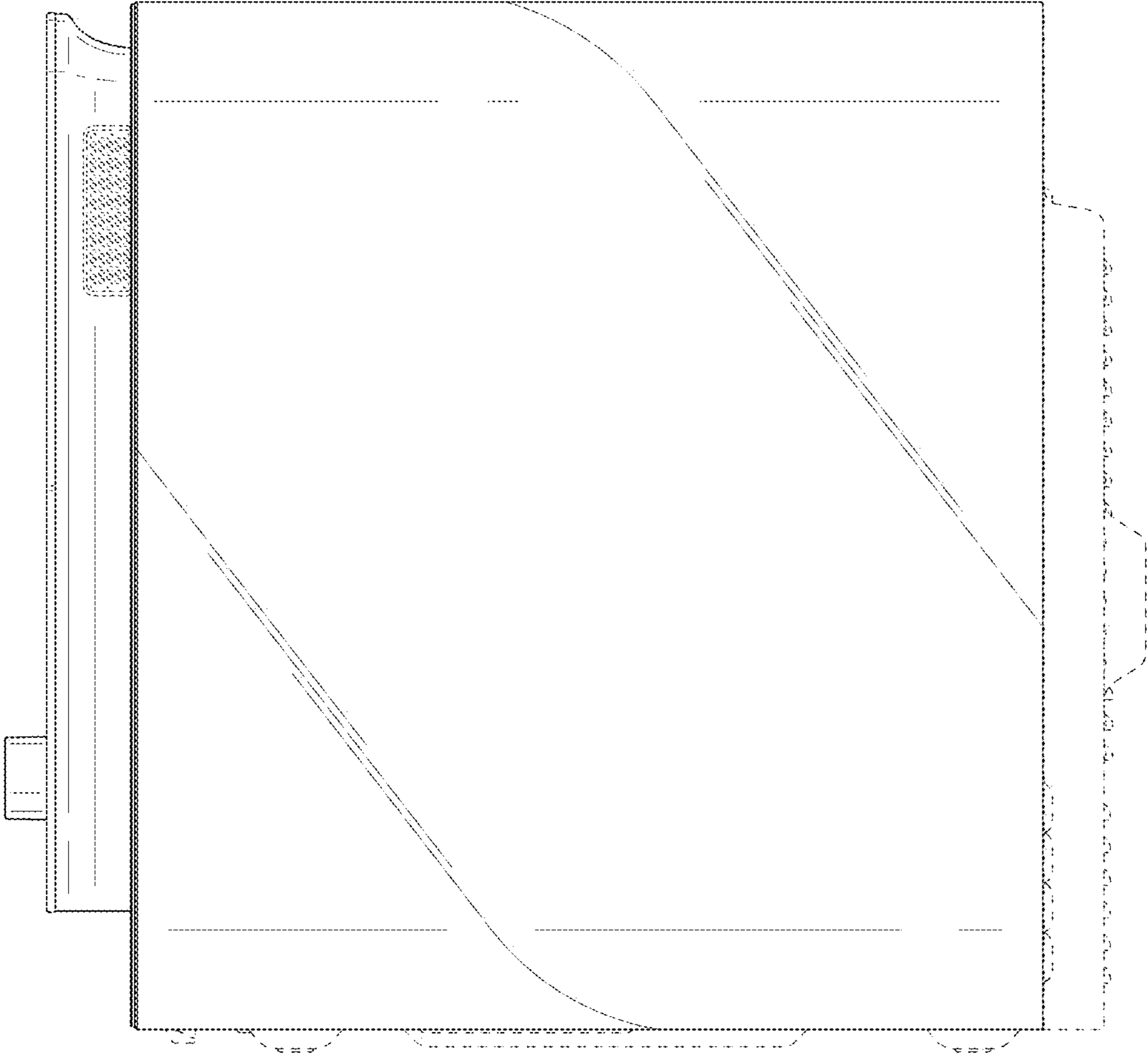


FIG. 6

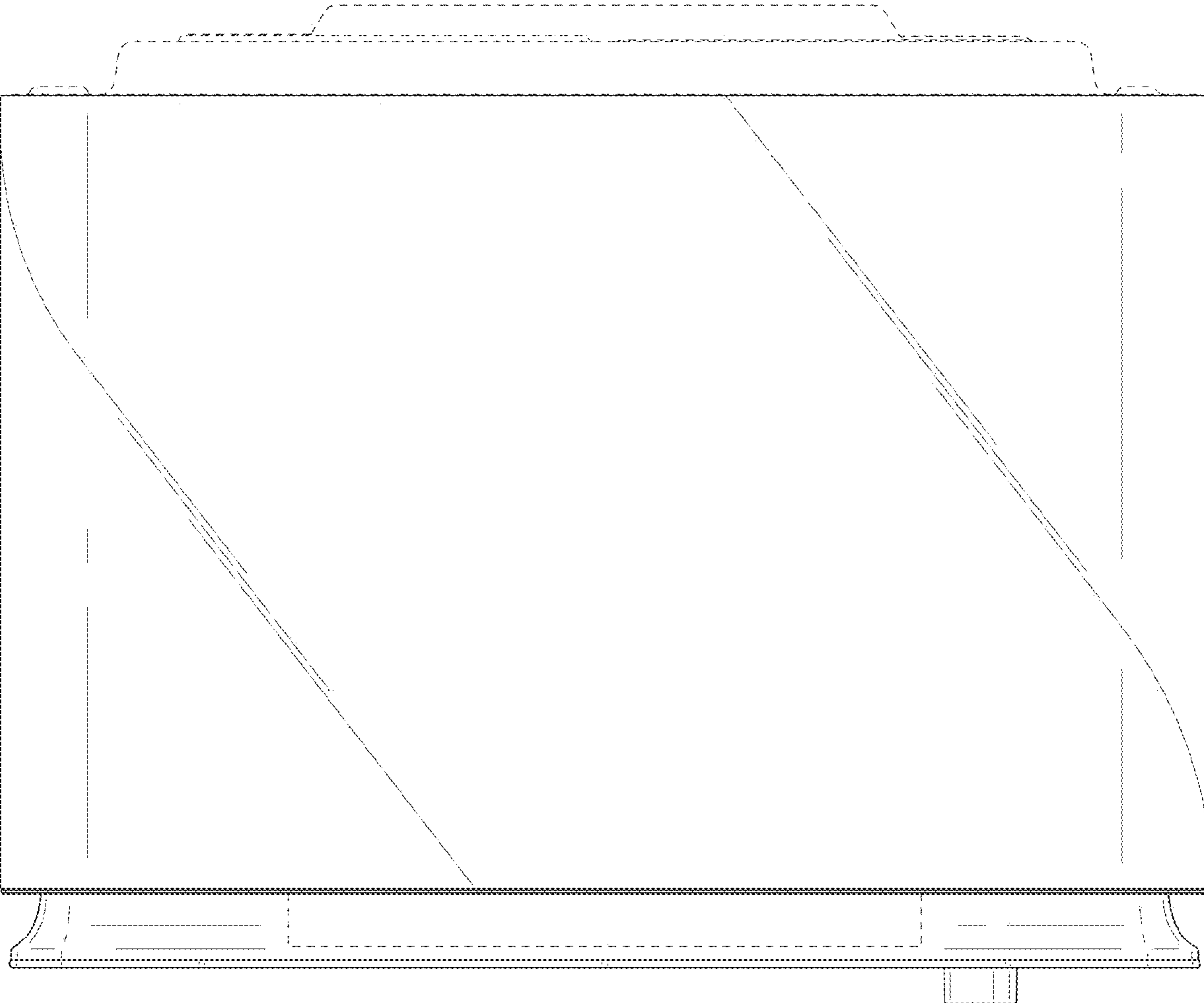


FIG. 7

