



US00D955799S

(12) **United States Design Patent**
Wintsch et al.

(10) **Patent No.:** **US D955,799 S**
(45) **Date of Patent:** **** Jun. 28, 2022**

(54) **GAS COOKER**

(71) Applicant: **Katadyn Produkte AG**, Kempththal (CH)

(72) Inventors: **Christoph Wintsch**, Volketswil (CH);
Cesar Ribeiro, Schaffhausen (CH)

(**) Term: **15 Years**

(21) Appl. No.: **35/510,798**

(22) Filed: **Oct. 7, 2020**

(80) **Hague Agreement Data**

Int. Filing Date: **Oct. 7, 2020**

Int. Reg. No.: **DM/211150**

Int. Reg. Date: **Oct. 7, 2020**

Int. Reg. Pub. Date: **Nov. 20, 2020**

(51) **LOC (13) Cl.** **07-02**

(52) **U.S. Cl.**
USPC **D7/332**

(58) **Field of Classification Search**
USPC D7/306, 310, 311, 313, 332, 334, 400,
D7/402, 523, 524, 589, 608, 679
CPC A47J 37/0763
See application file for complete search history.

(56) **References Cited**

U.S. PATENT DOCUMENTS

- 597,535 A * 1/1898 Bliss A47J 37/0763
126/26
- 1,458,544 A * 6/1923 Popper A47J 36/26
126/38
- 1,483,159 A * 2/1924 Coleman F24C 5/20
126/38
- 2,247,612 A * 7/1941 Haislip F24B 1/205
126/25 A
- 2,466,781 A * 4/1949 Redler F24C 7/10
219/452.11

(Continued)

FOREIGN PATENT DOCUMENTS

- GB 8211150000-1000 * 10/2020
- GB 8211150000-2000 * 10/2020
- WO WO 2008/058566 A1 5/2008

OTHER PUBLICATIONS

New Atlas, Ultra-sleek Optimus dual-burner stove feeds van life and trail life, Publication date Jan. 27, 2021, [site visited Jan. 3, 2022], Available on the Internet <https://newatlas.com/outdoors/optimus-gemini-dual-burner-stove/> (Year: 2021).*

(Continued)

Primary Examiner — S. Bryan Reinholdt, Jr.

(57) **CLAIM**

The ornamental design for a gas cooker, as shown and described.

DESCRIPTION

1.-2. Gas cooker

FIG. 1.1 is a front elevation view of the gas cooker showing our new design with arms of the gas cooker shown in an expanded configuration;

FIG. 1.2 is a back elevation view thereof;

FIG. 1.3 is a left side elevation view thereof;

FIG. 1.4 is a right side elevation view thereof;

FIG. 1.5 is a top plan view thereof;

FIG. 1.6 is a front, left, top perspective view thereof;

FIG. 1.7 is a bottom plan view thereof;

FIG. 2.1 is a front elevation view of the gas cooker of FIG. 1.1 shown with the arms in a contracted configuration;

FIG. 2.2 is a left side elevation view thereof;

FIG. 2.3 is a back elevation view thereof;

FIG. 2.4 is a right side elevation view thereof;

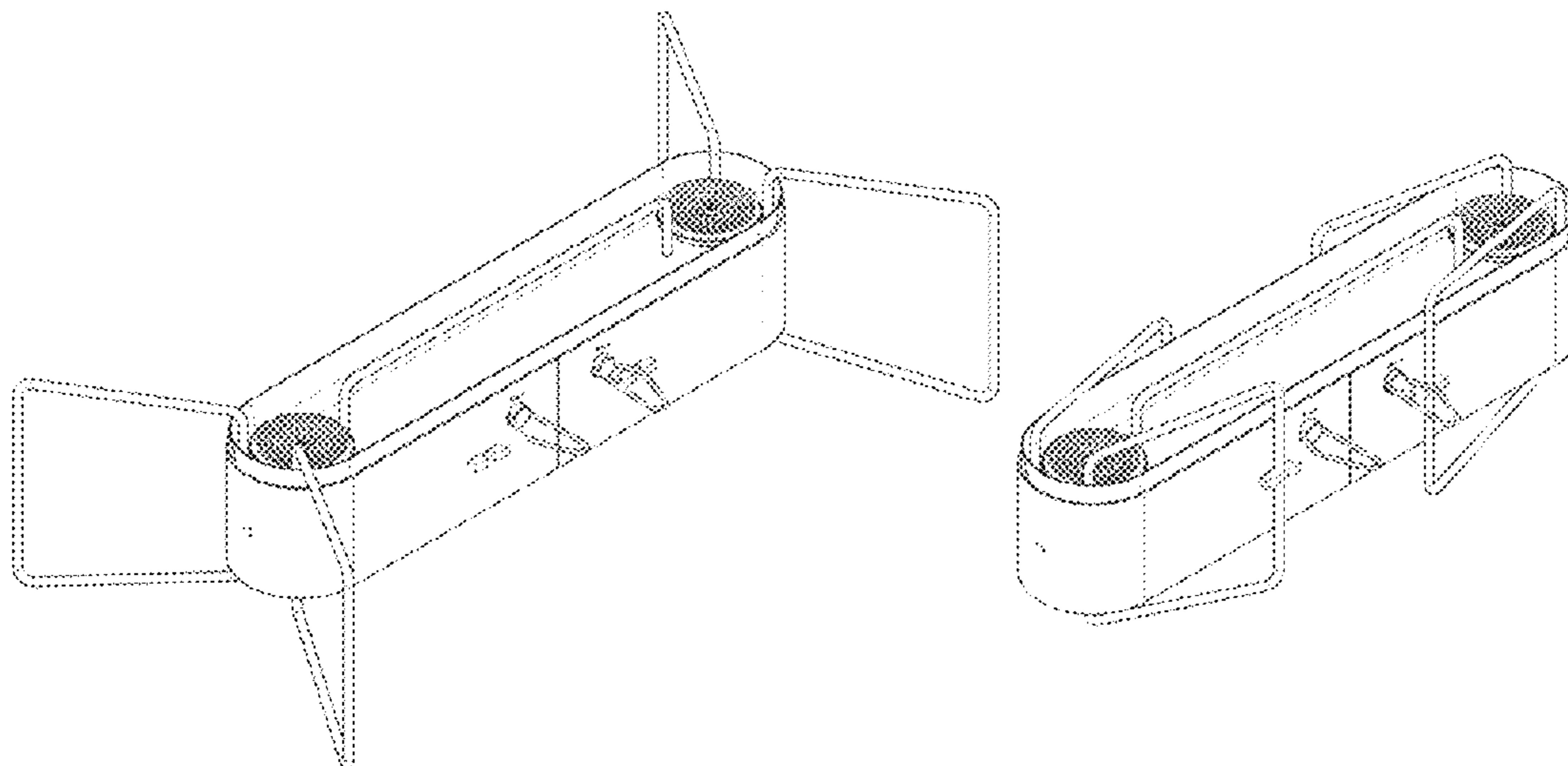
FIG. 2.5 is a front, left, top perspective view thereof;

FIG. 2.6 is a top plan view thereof; and

FIG. 2.7 is a bottom plan view thereof.

The broken lines in FIGS. 1.7 and 2.7 depict portions of the gas cooker that form no part of the claimed design.

1 Claim, 14 Drawing Sheets



(56)

References Cited

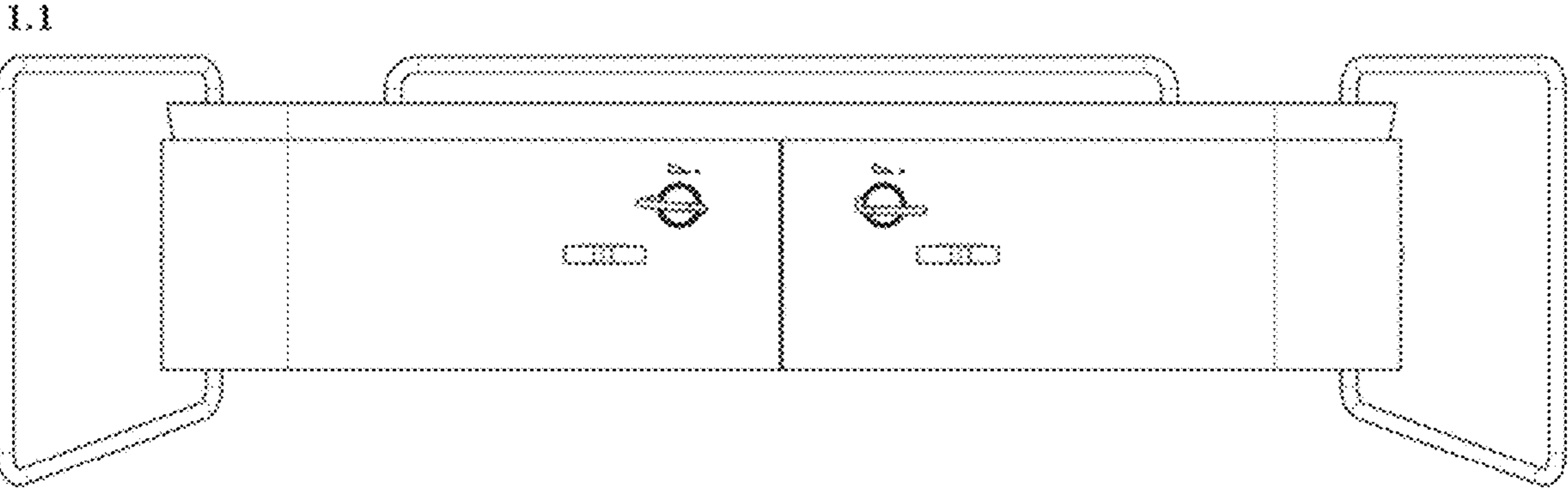
U.S. PATENT DOCUMENTS

3,430,622 A * 3/1969 Locke F24C 3/14
126/38
3,724,441 A * 4/1973 Finley F24C 3/14
126/38
D229,276 S * 11/1973 Schonbrun D7/332
3,789,821 A 2/1974 Fick et al.
5,423,308 A 6/1995 Huang et al.
5,884,553 A 3/1999 Morris
D498,388 S * 11/2004 Long D7/402
D865,444 S * 11/2019 Young D7/402
2013/0032138 A1 2/2013 Kihlstrom
2018/0184844 A1* 7/2018 Hagstrom F24C 15/26

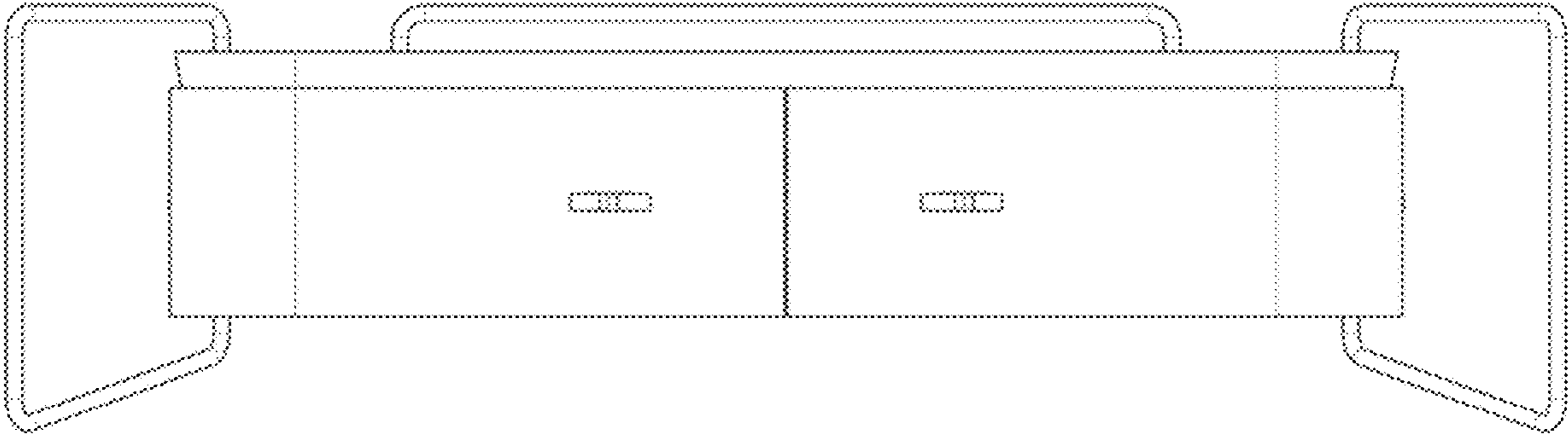
OTHER PUBLICATIONS

ISPO website, Optimus Gemini: Light Double Burner for Outdoor
Cooks, Publication date Mar. 2021, [site visited Jan. 3, 2022],
Available on the Internet URL [https://www.ispo.com/en/ispo-award/
2021/optimus-gemini](https://www.ispo.com/en/ispo-award/2021/optimus-gemini) (Year: 2021).*

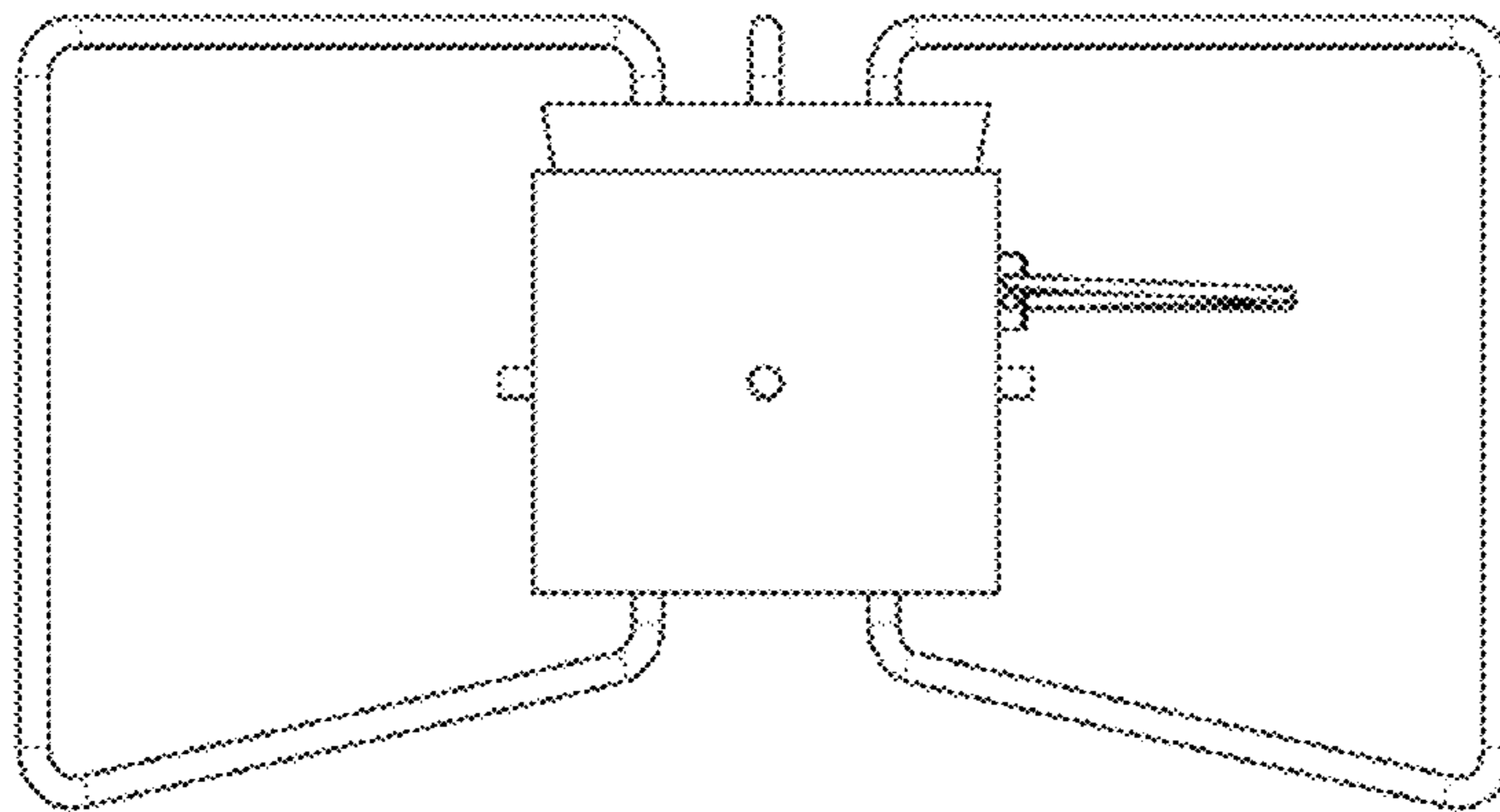
* cited by examiner



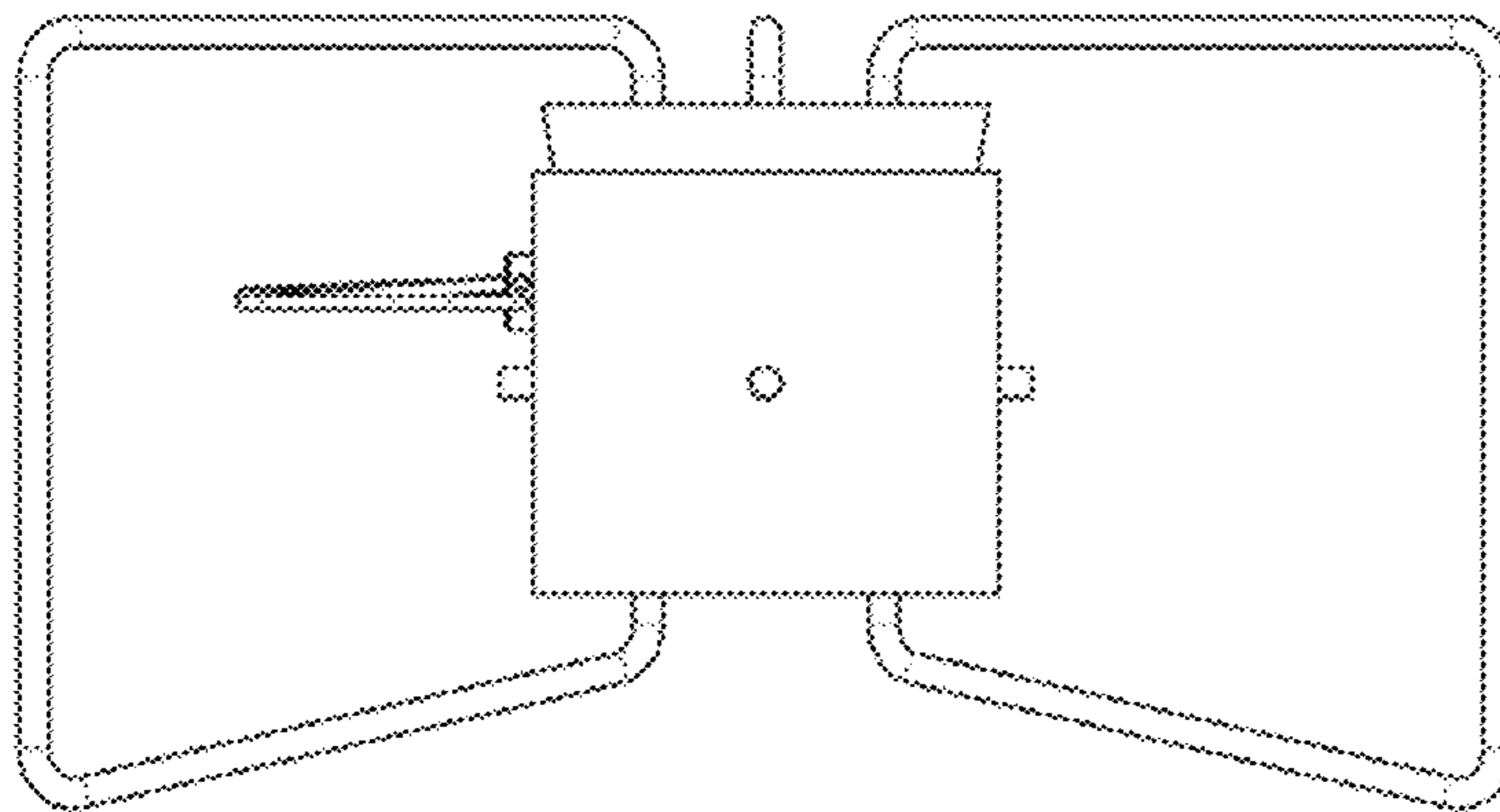
1.2

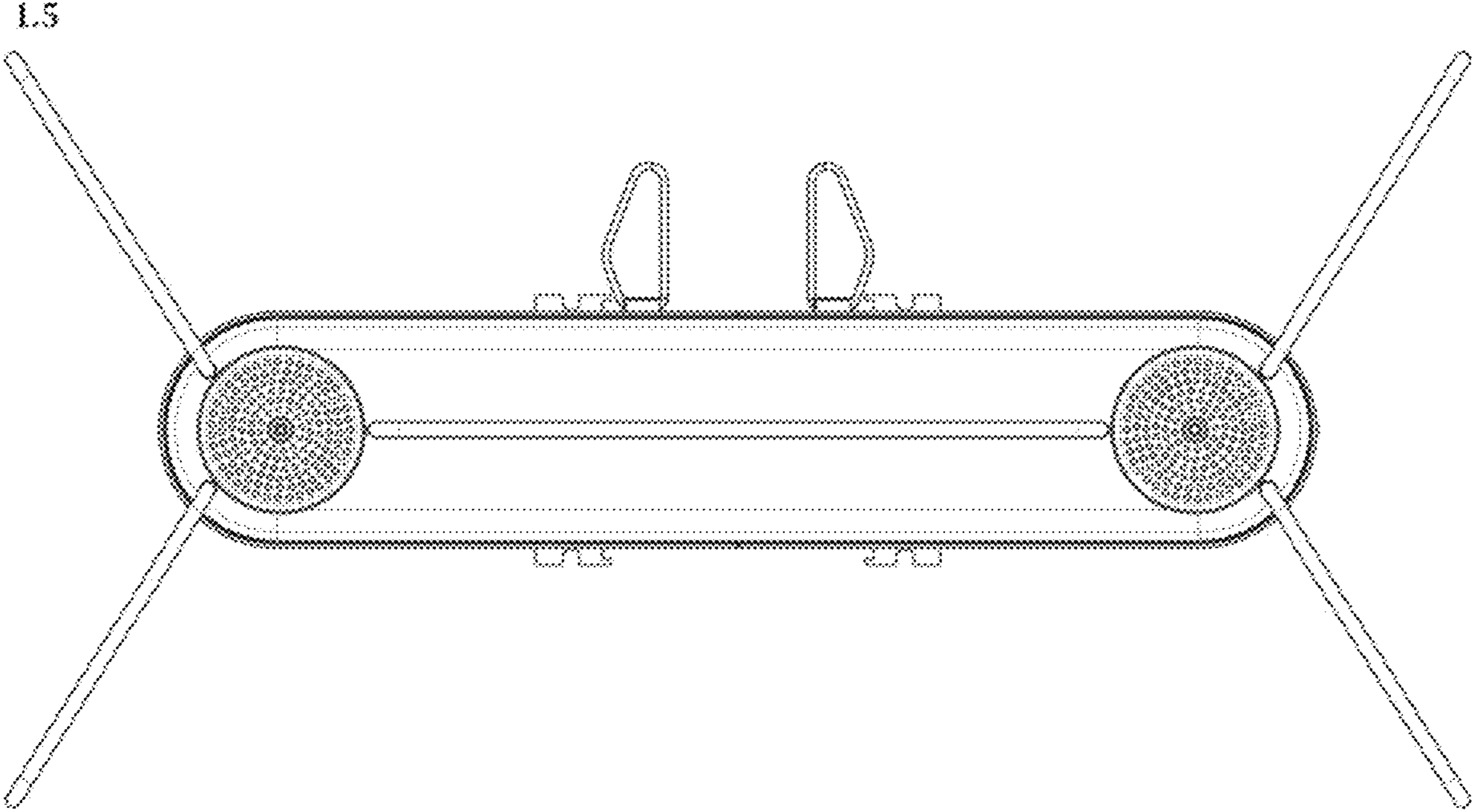


1.3

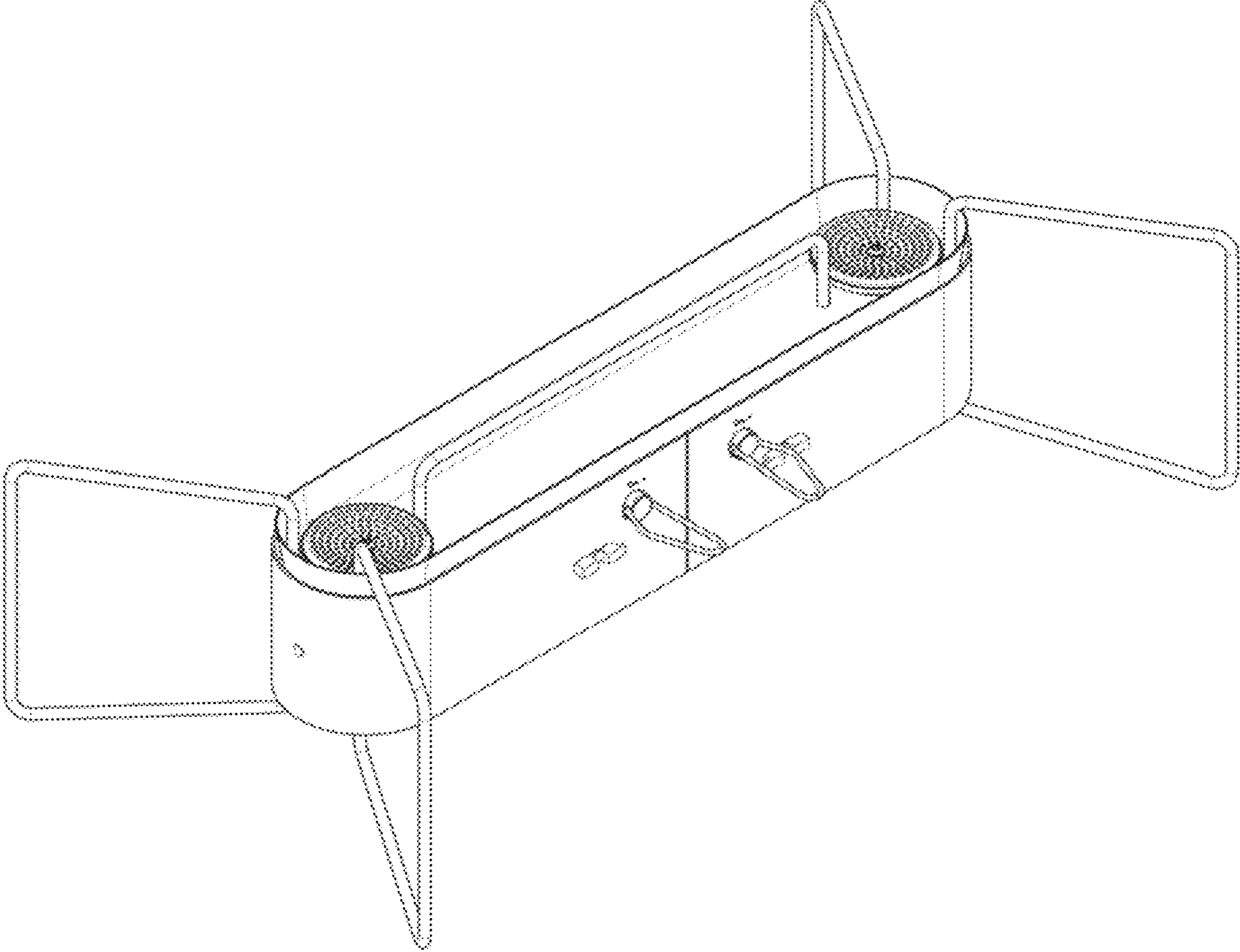


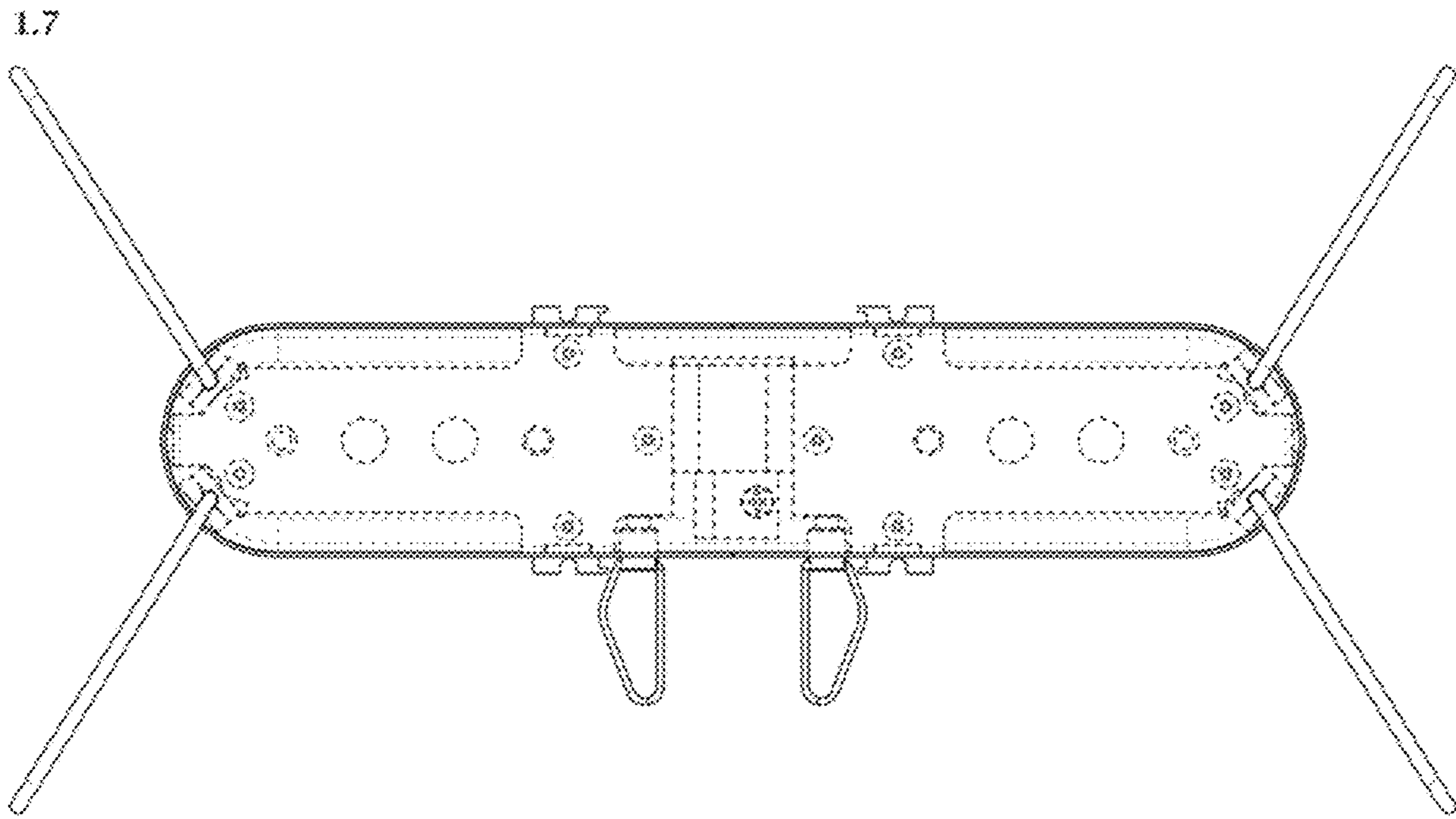
1.4



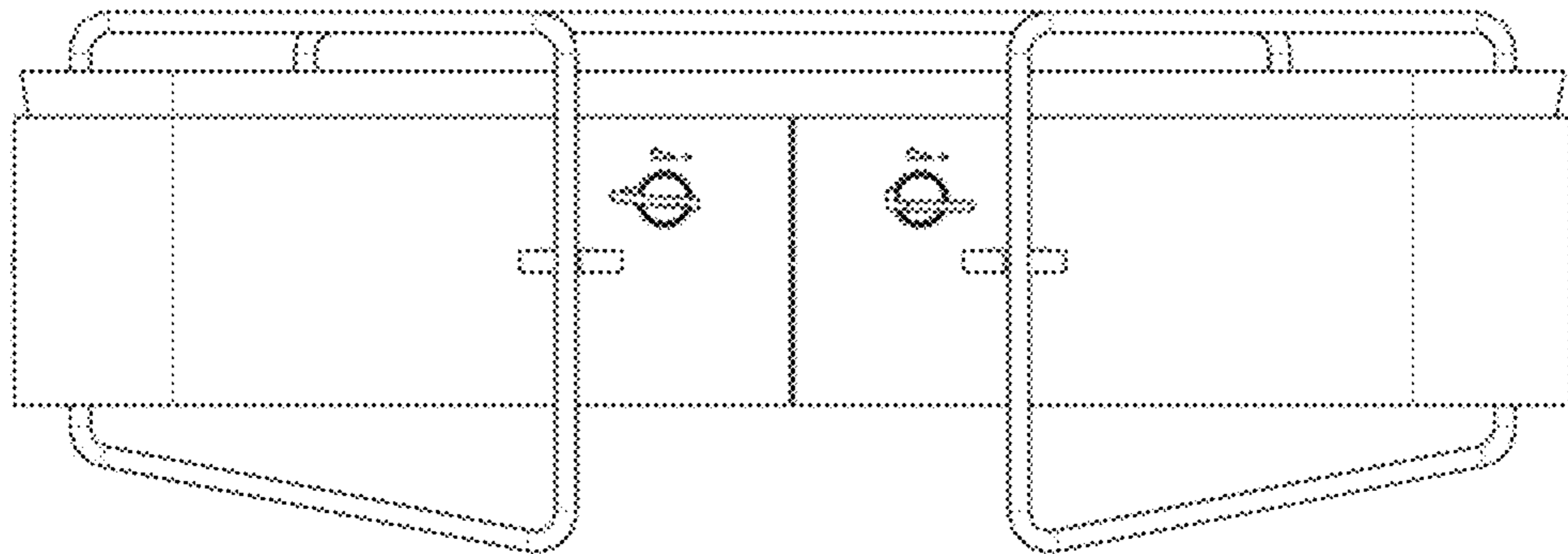


1.6

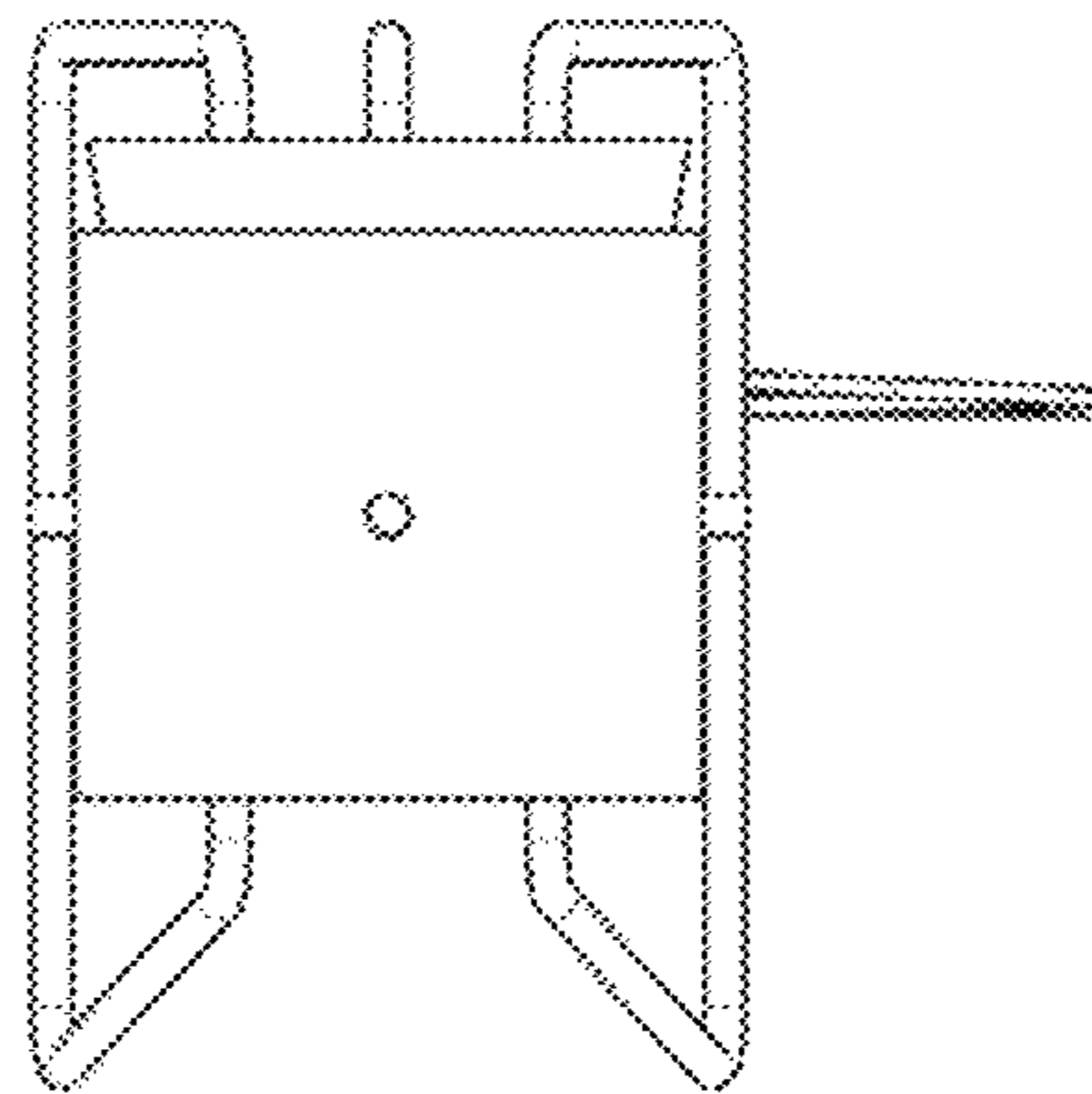




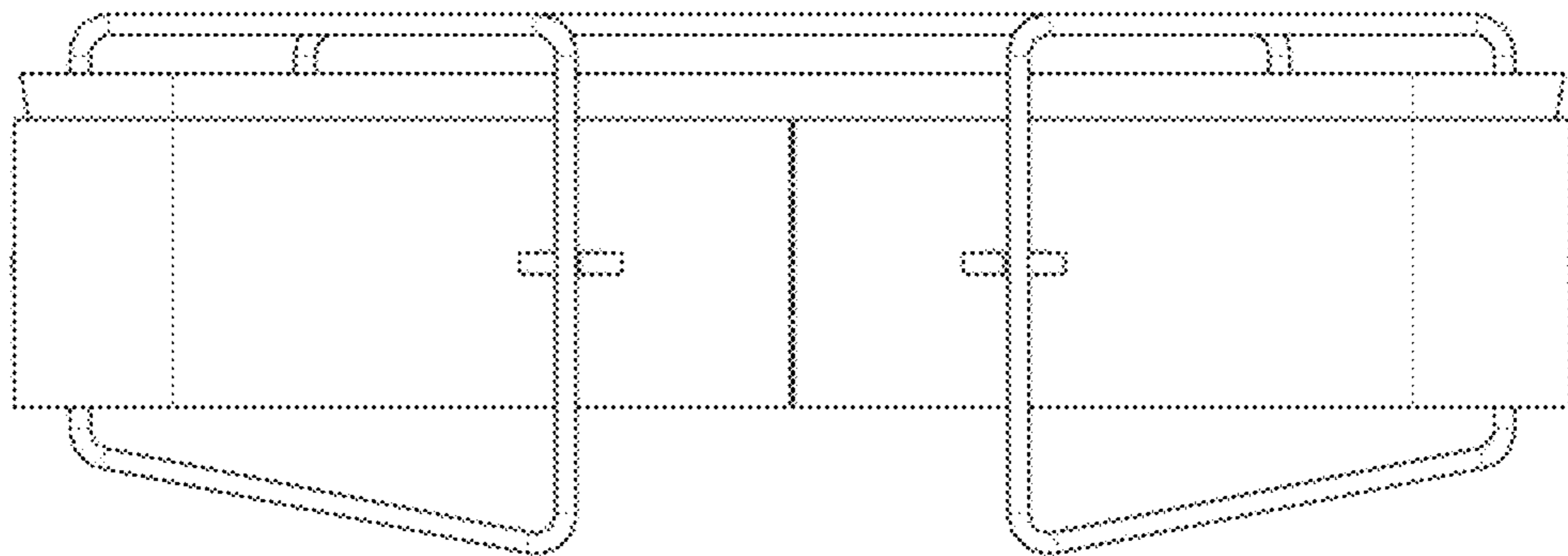
21



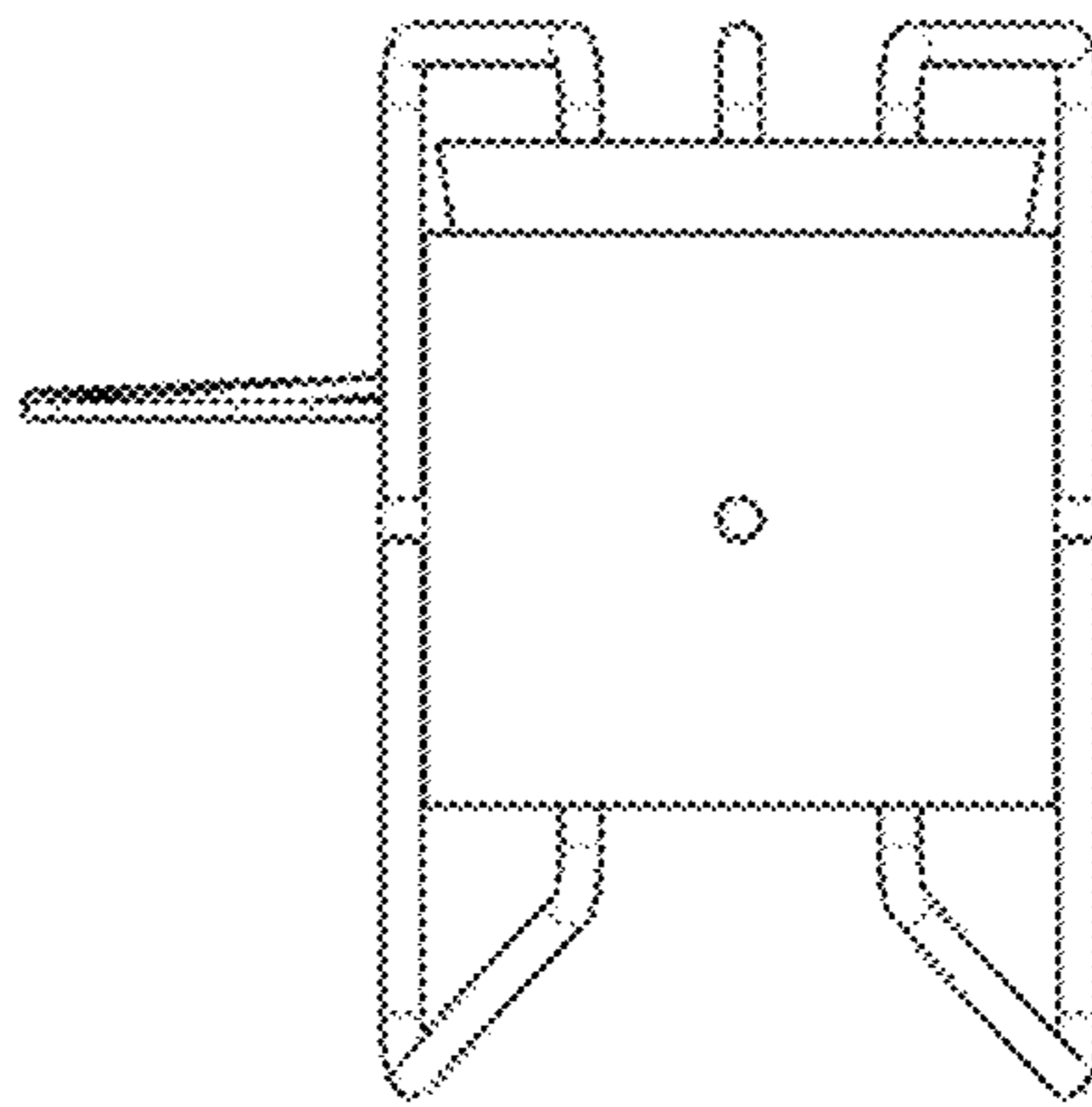
2.2



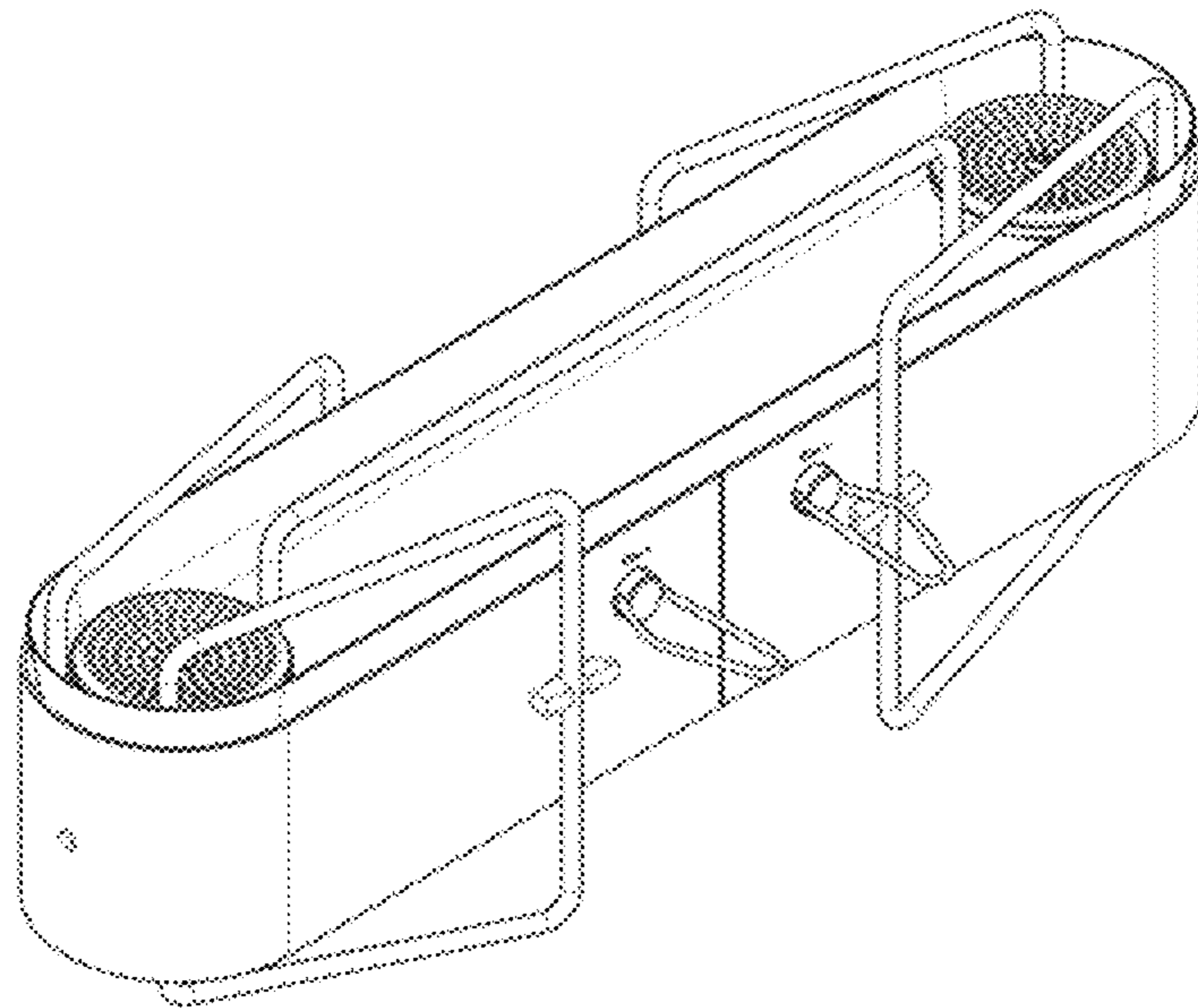
23



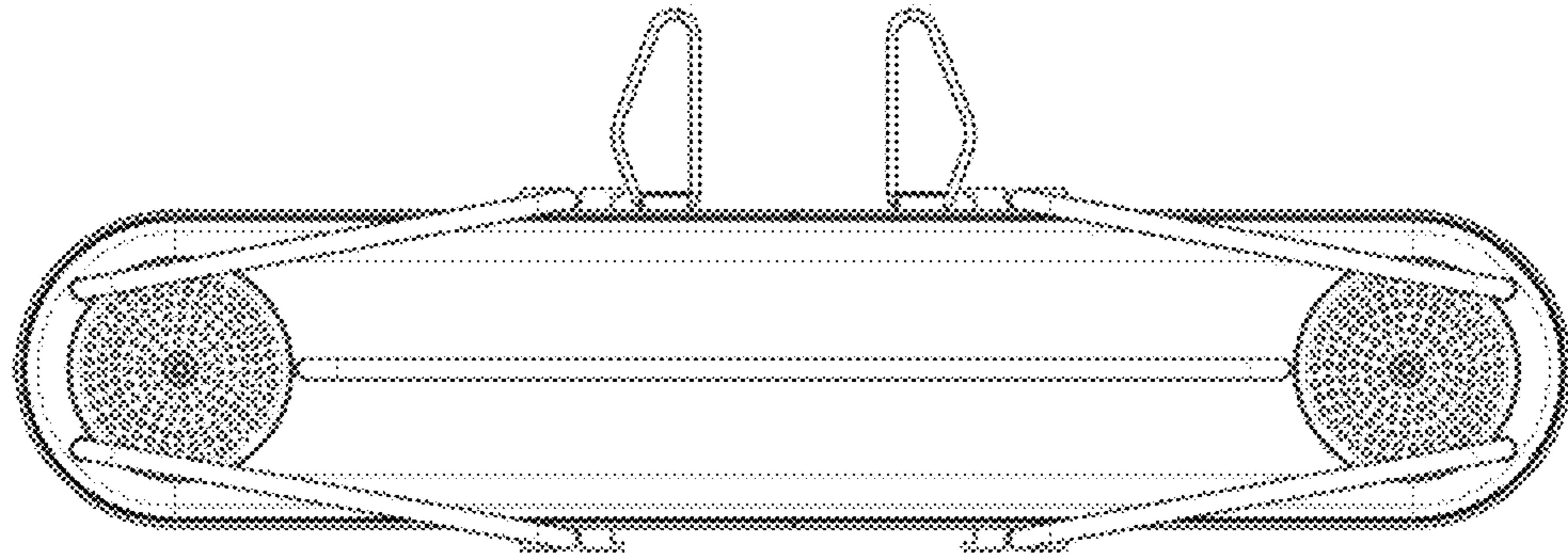
2.4



2.5



2.6



2.7

