



US00D955798S

(12) **United States Design Patent** (10) **Patent No.:** **US D955,798 S**
Duran et al. (45) **Date of Patent:** **** Jun. 28, 2022**

(54) **COMBINED COFFEE MACHINE AND COFFEE POT**

31/18; A47J 31/061; A47J 27/04; A47J 31/0573; A47J 31/52; A47J 31/44

See application file for complete search history.

(71) Applicant: **Arçelik Anonim Sirketi**, Istanbul (TR)

(56) **References Cited**

(72) Inventors: **Nihat Duran**, Tuzla Istanbul (TR); **Asli Ökmen**, Tuzla Istanbul (TR); **Gizem Durakoglu Emre**, Tuzla Istanbul (TR); **Can Onur Vanci**, Tuzla Istanbul (TR); **Özlem Kök Gültekin**, Tuzla Istanbul (TR); **Tamer Yüksek**, Tuzla Istanbul (TR); **Dogaç Can Sagirosmanoglu**, Tuzla Istanbul (TR); **Ece Çinar**, Tuzla Istanbul (TR)

U.S. PATENT DOCUMENTS

4,081,659	A *	3/1978	Kemp	A47J 31/44 392/467
D250,688	S	1/1979	Felske et al.	
D274,400	S *	6/1984	Muller	D7/309
D317,546	S *	6/1991	Rakocy et al.	D7/309
D387,944	S *	12/1997	Hippen	D7/311
D489,217	S *	5/2004	Seum et al.	D7/309
D497,278	S	10/2004	Picozza et al.	
D546,112	S *	7/2007	Rorke	D7/309
D627,188	S *	11/2010	Picozza	D7/309
D628,007	S *	11/2010	Di Bitonto	D7/310
D669,154	S *	10/2012	Choi	D23/207
8,777,109	B2	7/2014	Oberpriller et al.	
D726,483	S *	4/2015	Lin	D7/310
D732,332	S *	6/2015	Kai	D7/311
D788,510	S *	6/2017	Steiner	D7/309
D838,531	S *	1/2019	Bodum	D7/309
D860,993	S	9/2019	McDermott et al.	
D862,963	S *	10/2019	Lee	D7/311

(Continued)

(73) Assignee: **ARÇELİK ANONİM SİRKETİ**, Istanbul (TR)

(**) Term: **15 Years**

(21) Appl. No.: **29/681,469**

Primary Examiner — Andrew Kerr

(22) Filed: **Feb. 26, 2019**

(74) Attorney, Agent, or Firm — Fox Rothschild LLP

(30) **Foreign Application Priority Data**

Dec. 17, 2018	(EM)	005907540-0004
Dec. 17, 2018	(EM)	005907540-0005
Dec. 17, 2018	(EM)	005907540-0006

(57) **CLAIM**

The ornamental designs for a combined coffee machine and coffee pot, as shown and described.

(51) **LOC (13) Cl.** **07-01**

DESCRIPTION

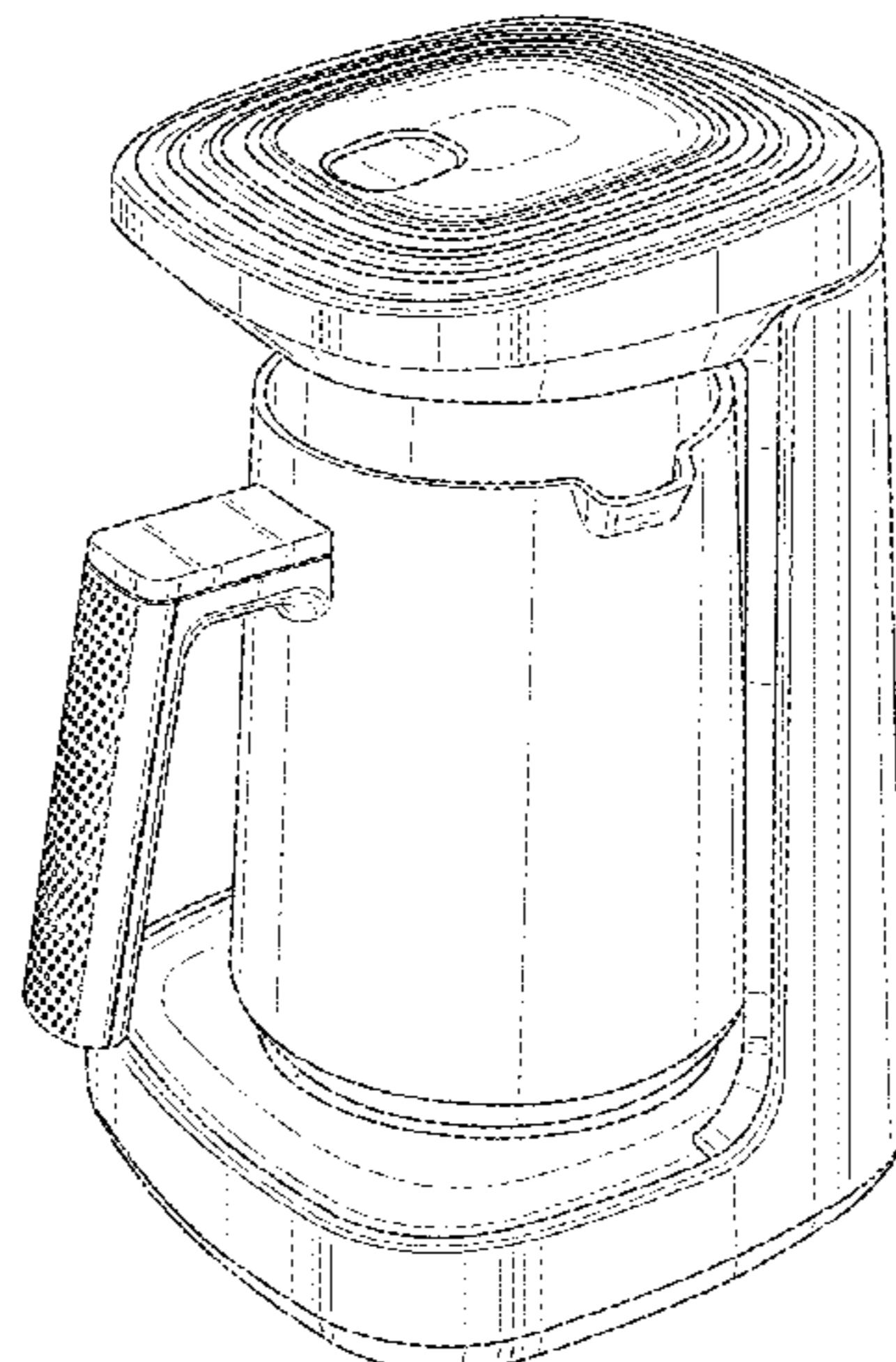
(52) **U.S. Cl.**
USPC **D7/309; D7/311**

(58) **Field of Classification Search**

USPC D7/300, 309–311, 306–308, 305, 397, D7/355, 362, 365, 367, 399; 222/146.6, 222/185.1, 135; 99/295, 273, 304, 288, 99/279, 307, 283
CPC A47J 31/02; A47J 31/407; A47J 31/50; A47J

FIG. 1 is a right perspective view of a combined coffee machine and coffee pot showing our new design; FIG. 2 is a left side view thereof; FIG. 3 is a rear view thereof; FIG. 4 is a top view thereof; FIG. 5 is a bottom view thereof; and, FIG. 6 is a front view thereof.

(Continued)



The broken lines depict portions of the combined coffee machine and coffee pot that form no part of the claim.

1 Claim, 6 Drawing Sheets

(56)

References Cited

U.S. PATENT DOCUMENTS

D863,855	S	*	10/2019	van Oord	D7/306
D863,857	S	*	10/2019	Umholtz	D7/311
D863,881	S	*	10/2019	Umholtz	D7/399
D867,047	S	*	11/2019	McConnell	D7/310
D882,321	S		4/2020	Fisher Wong et al.	
D888,488	S	*	6/2020	McColl	D7/309
D894,658	S	*	9/2020	Davenport	D7/309
D894,659	S		9/2020	Kestenbaum	
D896,021	S	*	9/2020	Bond	D7/374
D912,453	S		3/2021	Liebe et al.	
D927,912	S		8/2021	Lee et al.	
D942,193	S	*	2/2022	Sokol	D6/707.19
2014/0013958	A1		1/2014	Krasne et al.	
2018/0215603	A1		8/2018	Hecht	

* cited by examiner

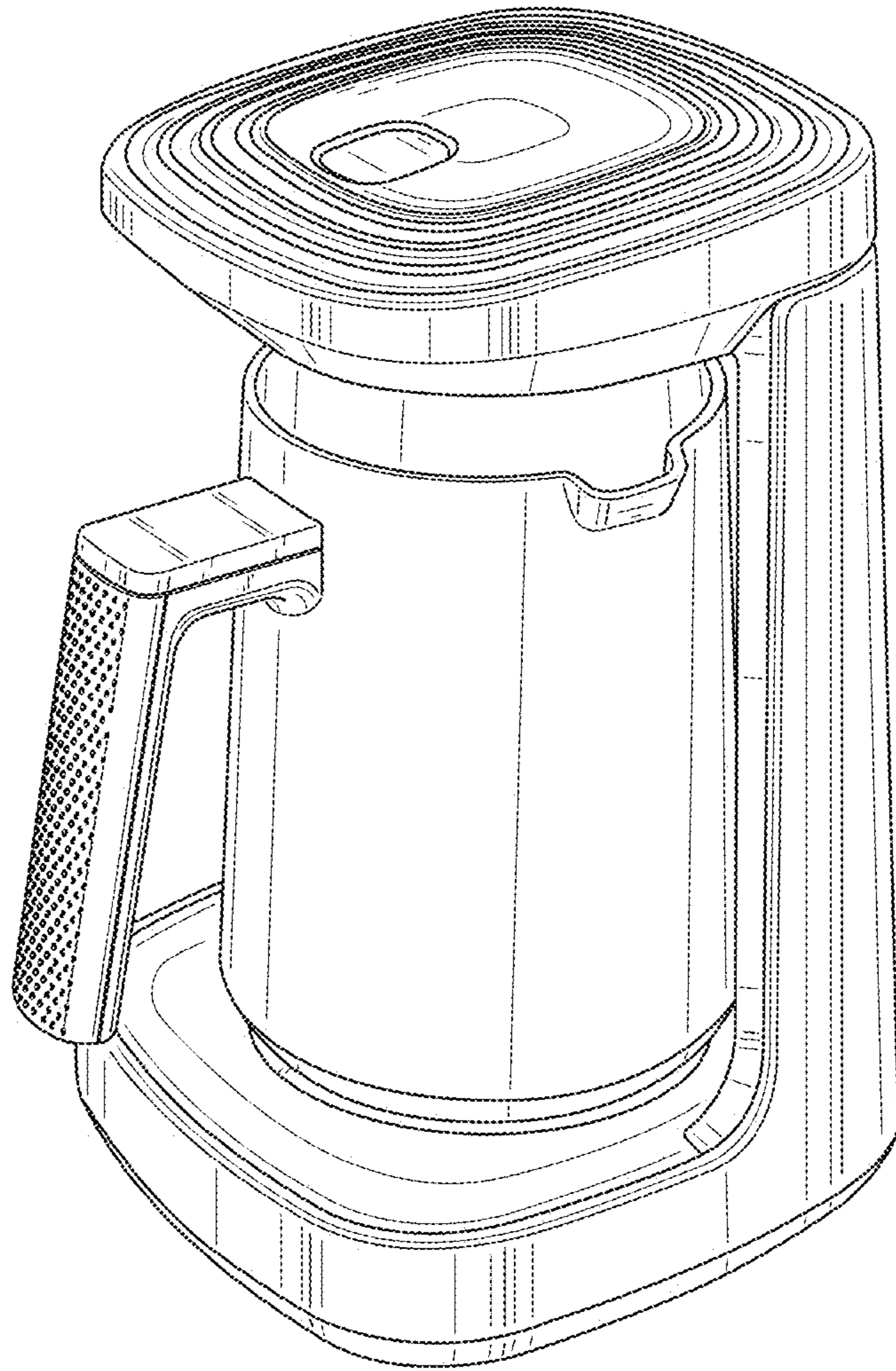


FIG. 1

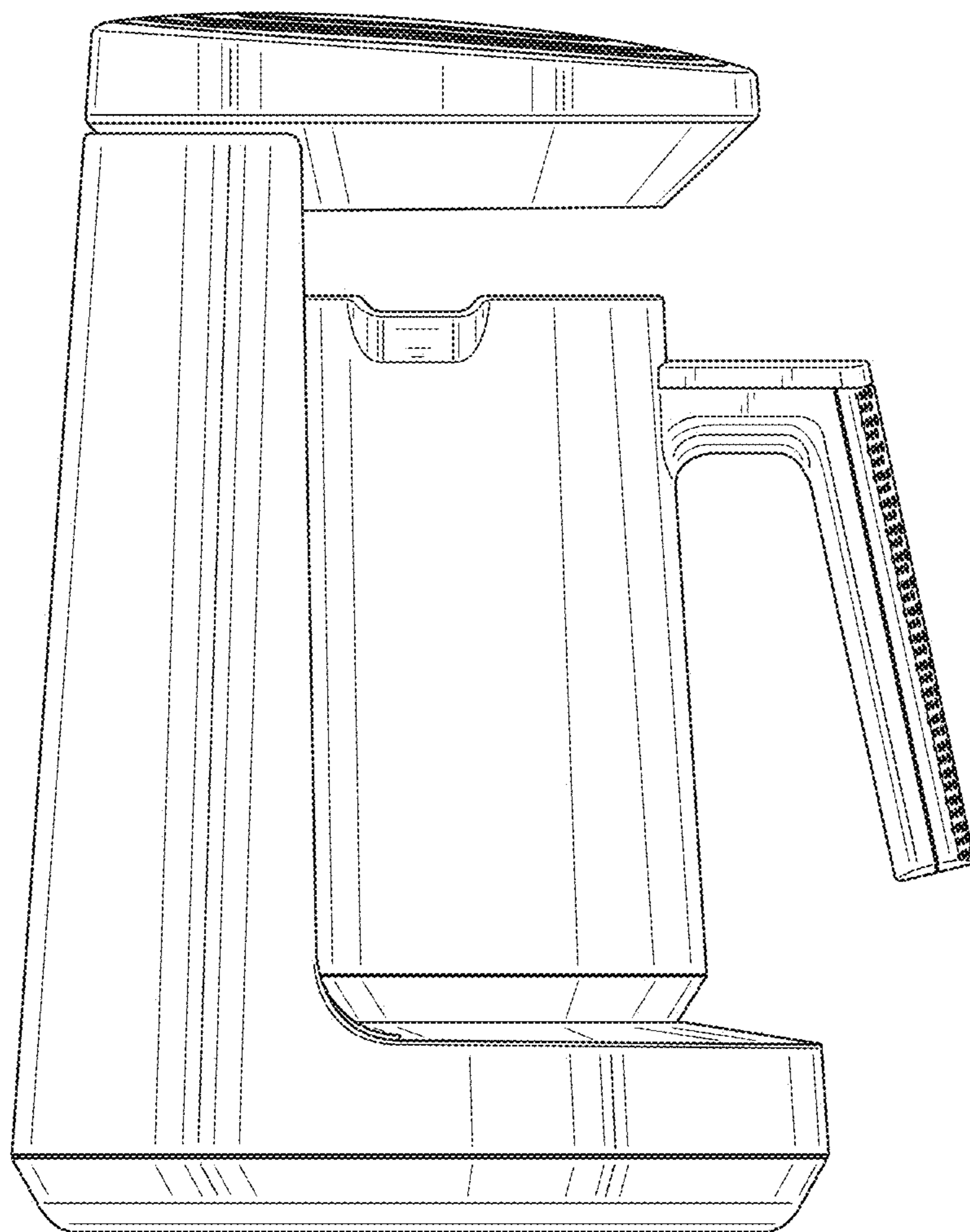


FIG. 2

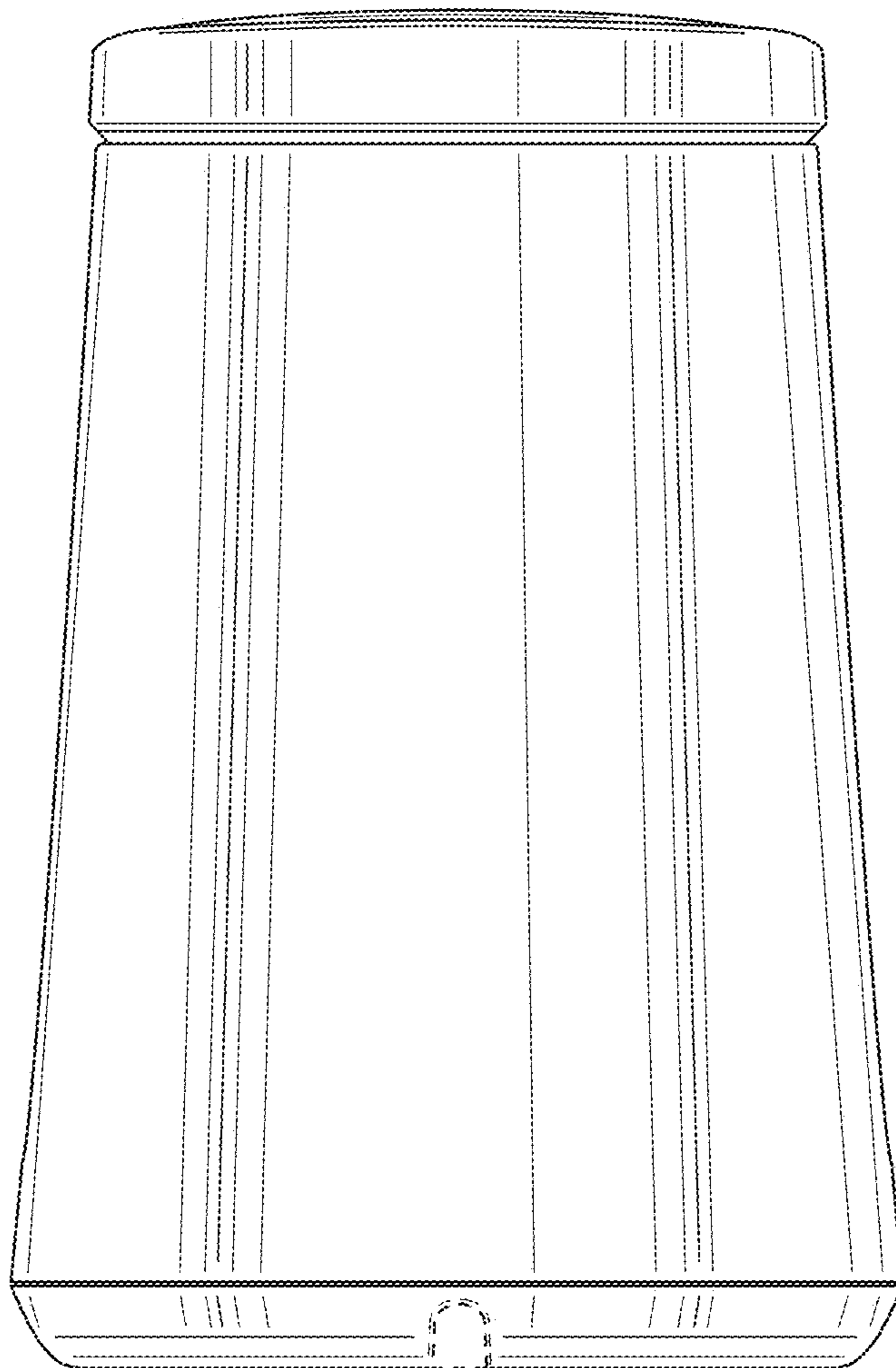


FIG. 3

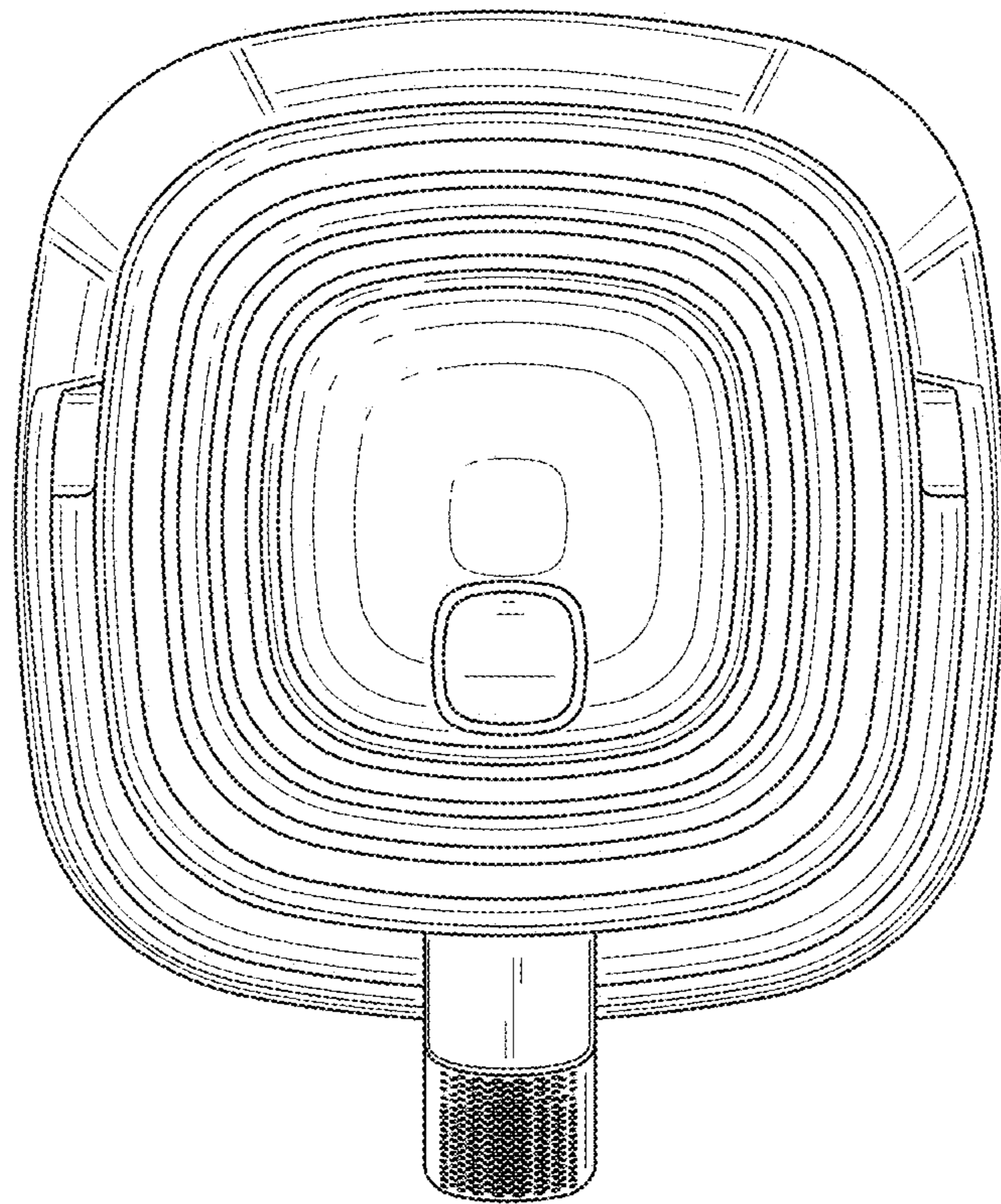


FIG. 4

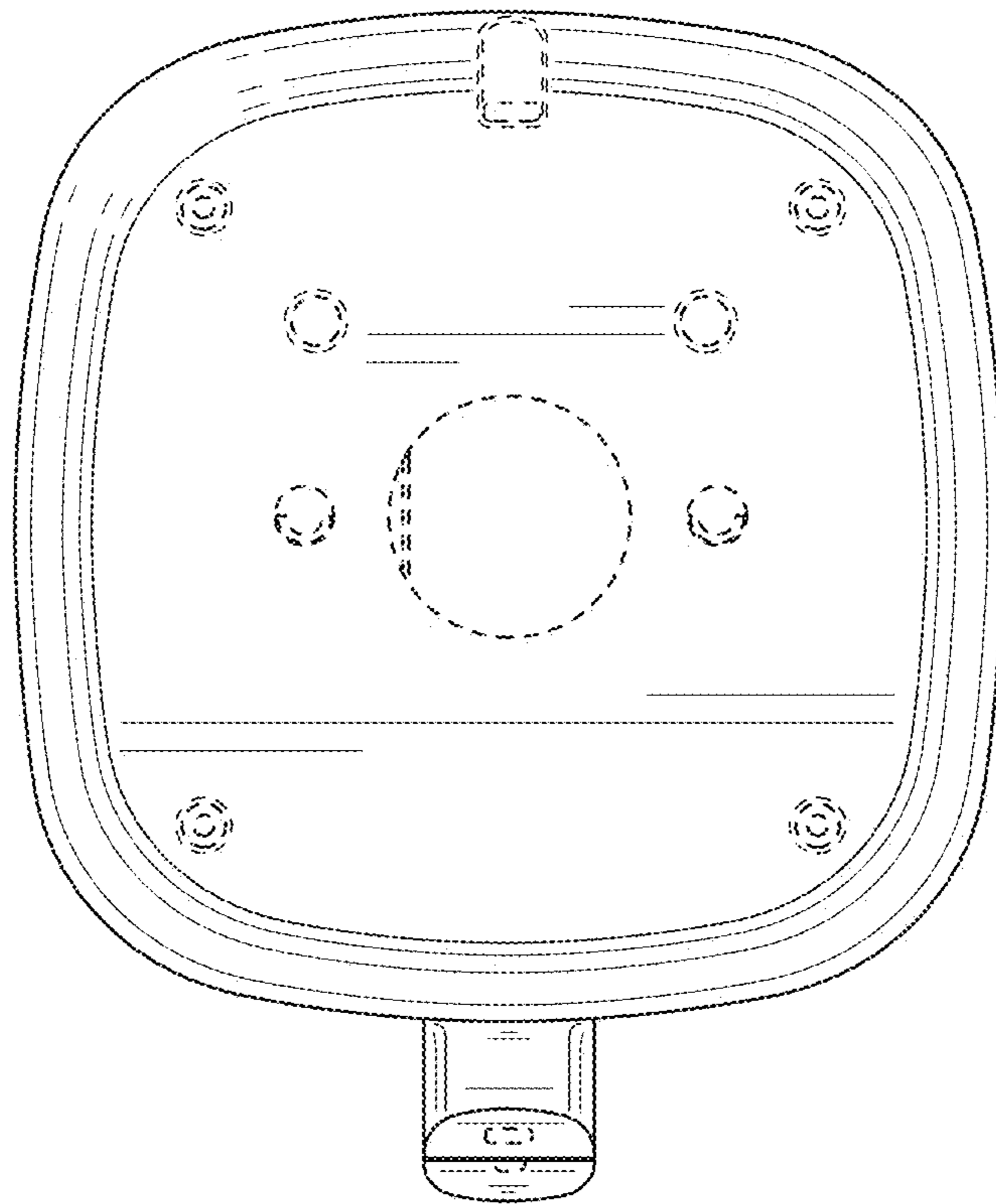


FIG. 5

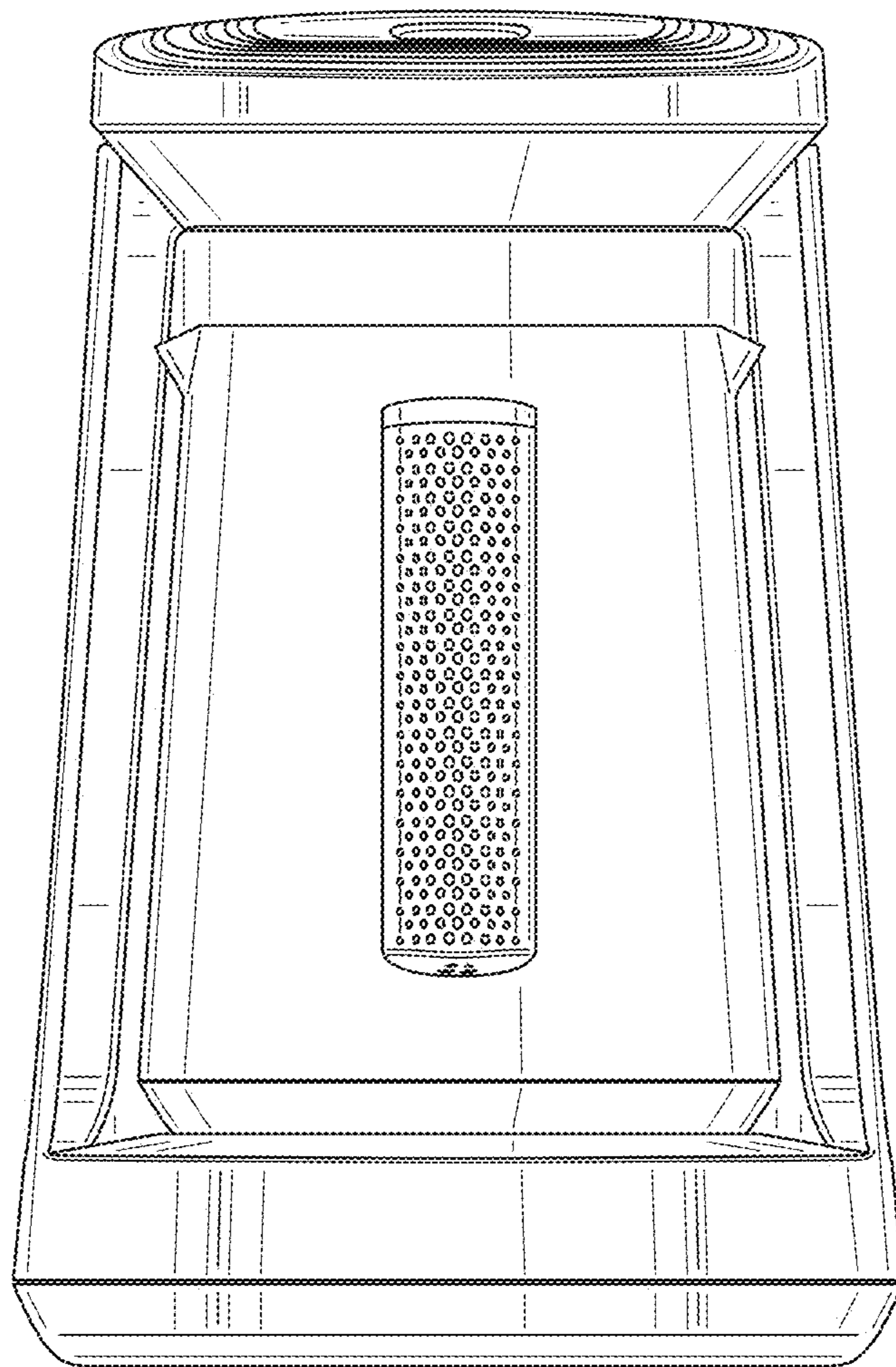


FIG. 6