

US00D955796S

(12) **United States Design Patent** (10) **Patent No.:** **US D955,796 S**
Steiner (45) **Date of Patent:** **** Jun. 28, 2022**

(54) **COFFEE MACHINE**
(71) Applicant: **STEINER AG WEGGIS**, Weggis (CH)
(72) Inventor: **Adrian Steiner**, Weggis (CH)
(73) Assignee: **Steiner AG Weggis**, Weggis (CH)

2015/0135966 A1* 5/2015 Hulett G05D 23/1951
99/289 R
2016/0113437 A1* 4/2016 Buttiker B65D 43/16
99/300
2018/0070760 A1* 3/2018 Herbert A23G 9/045
2019/0161334 A1* 5/2019 Knoll B67D 1/0004
2020/0205600 A1* 7/2020 De Nicolo A47J 31/44

(**) Term: **15 Years**

OTHER PUBLICATIONS

(21) Appl. No.: **29/713,977**
(22) Filed: **Nov. 20, 2019**
(51) **LOC (13) Cl.** **31-00**
(52) **U.S. Cl.**
USPC **D7/306**
(58) **Field of Classification Search**
USPC D7/300, 304–321, 323, 350.2, 358, 372,
D7/373, 376, 397–401, 589, 590;
D18/39, 53; D20/1, 4; D24/216, 217,
D24/219, 220
CPC A47J 31/00; A47J 31/007; A47J 31/057;
A47J 31/10; A47J 31/3676; A47J 31/40;
A47J 31/402; A47J 31/404; A47J 31/41;
A47J 31/4482; A47J 31/4489; B67D
1/00; B67D 1/0004; B67D 1/0021; B67D
1/0078; B67D 1/0801; B67D 1/0872;
B67D 1/1252
See application file for complete search history.

Thermoplan Black&White4, Thermoplan, [online], [site visited Aug. 12, 2021], Available from internet URL: <https://www.thermoplan.ch/en/products/black-white-4> (Year: 2021).
Design No. 305501141, Dec. 17, 2019—China National Intellectual Property Administration (CNIPA) Publication Date—Dec. 17, 2019 Owner—Guangzhou Connaught Intelligent Equipment Co Ltd, Designer—Yang Xugui WIPO, available at <https://www3.wipo.int/designdb/en/index.jsp> (Year: 2019).*

(Continued)

Primary Examiner — Mary Ann Calabrese
Assistant Examiner — Natalya M Rapundalo
(74) *Attorney, Agent, or Firm* — Brian Roffe

(57) **CLAIM**

The ornamental design for a coffee machine, as shown and described.

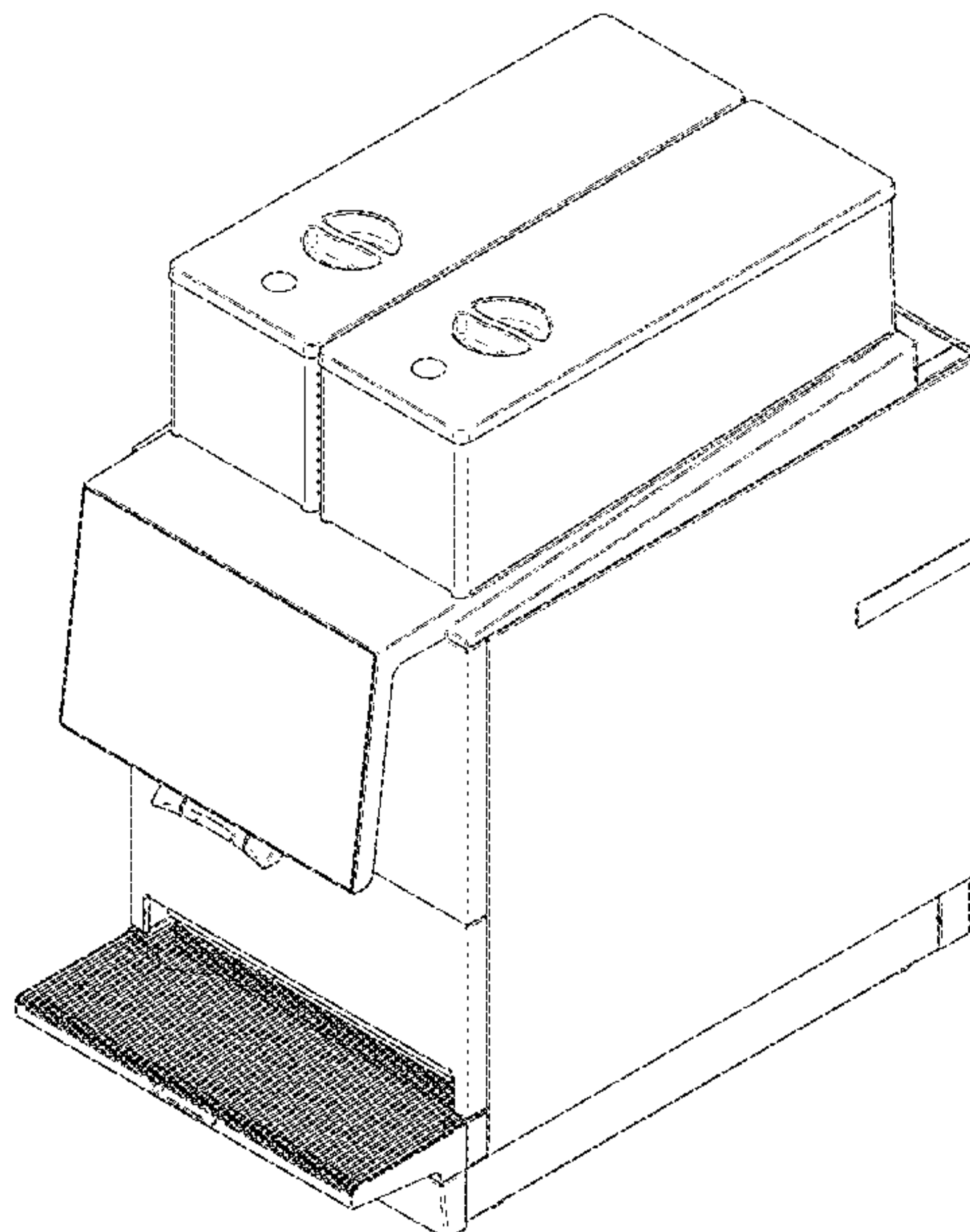
DESCRIPTION

(56) **References Cited**
U.S. PATENT DOCUMENTS

D346,717 S * 5/1994 Geiger D7/309
D520,300 S * 5/2006 Bruttin D7/309
D622,998 S * 9/2010 Ashbridge D7/306
D751,330 S * 3/2016 Harrison A47J 31/44
D7/306
D840,735 S * 2/2019 Dutruel D7/309
2014/0331866 A1* 11/2014 Lazza A47J 31/40
99/289 R

FIG. 1 is a front, right side perspective view of a coffee machine showing my new design;
FIG. 2 is a front view thereof;
FIG. 3 is a right side view thereof;
FIG. 4 is a left side view thereof;
FIG. 5 is a rear view thereof; and,
FIG. 6 is a top view thereof.
The broken lines show portions of the coffee machine, which form no part of the claimed design.

1 Claim, 6 Drawing Sheets



(56)

References Cited

OTHER PUBLICATIONS

Design No. 306134687, Oct. 27, 2020—China National Intellectual Property Administration (CNIPA) Publication Date—Oct. 27, 2020
Owner—Suzhou Dr Coffee System Technology Co Ltd, Designer—Ye Luming WIPO, available at <https://www3.wipo.int/designdb/en/index.jsp> (Year: 2020).*

Design No. 306734211, Aug. 3, 2021—China National Intellectual Property Administration (CNIPA) Publication Date—Aug. 3, 2021
Owner—Kingclean Electric Green Energy (Suzhou) Co Ltd, Designer—Yu Zhongzhou WIPO, available at <https://www3.wipo.int/designdb/en/index.jsp> (Year: 2021).*

* cited by examiner

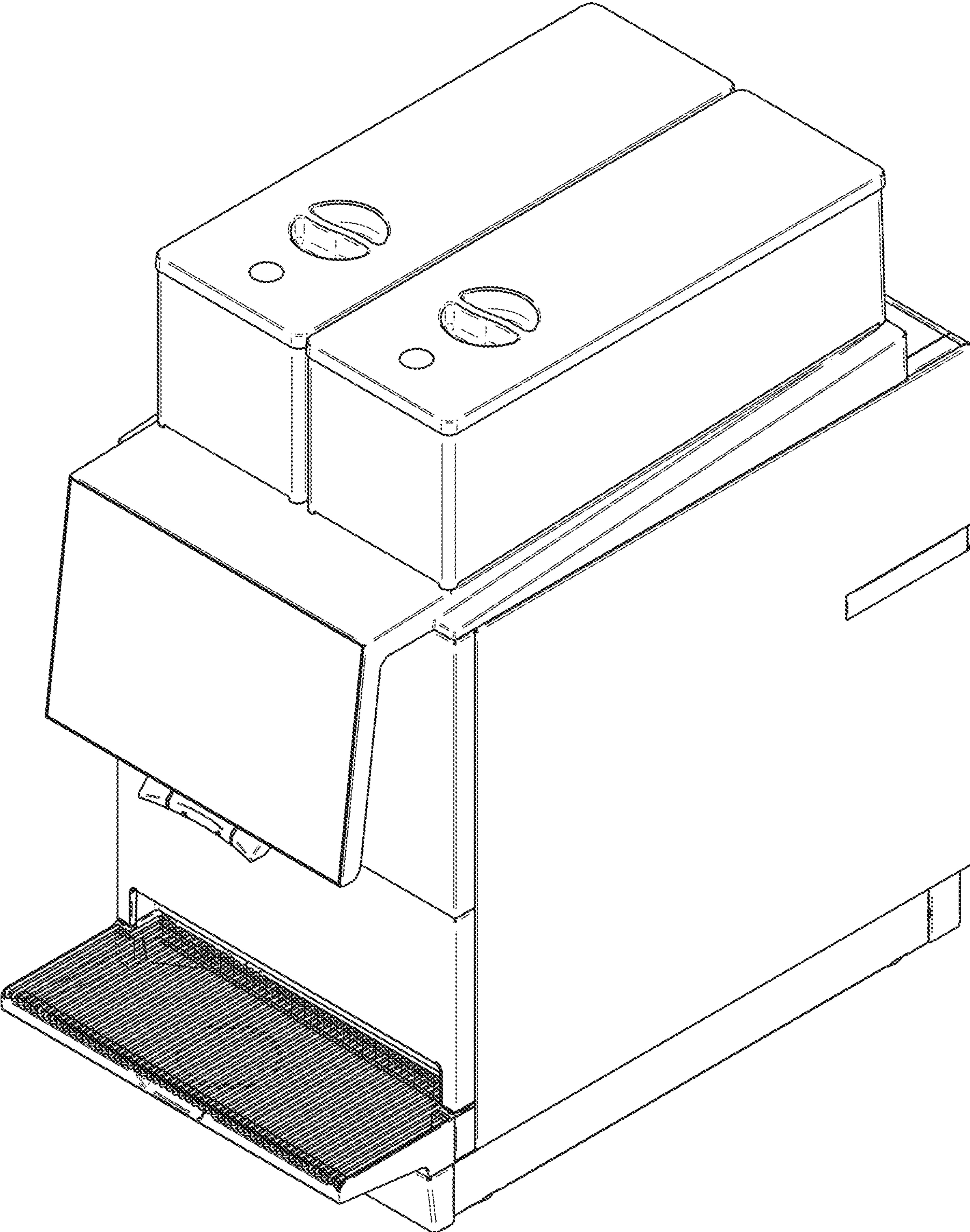


FIG. 1

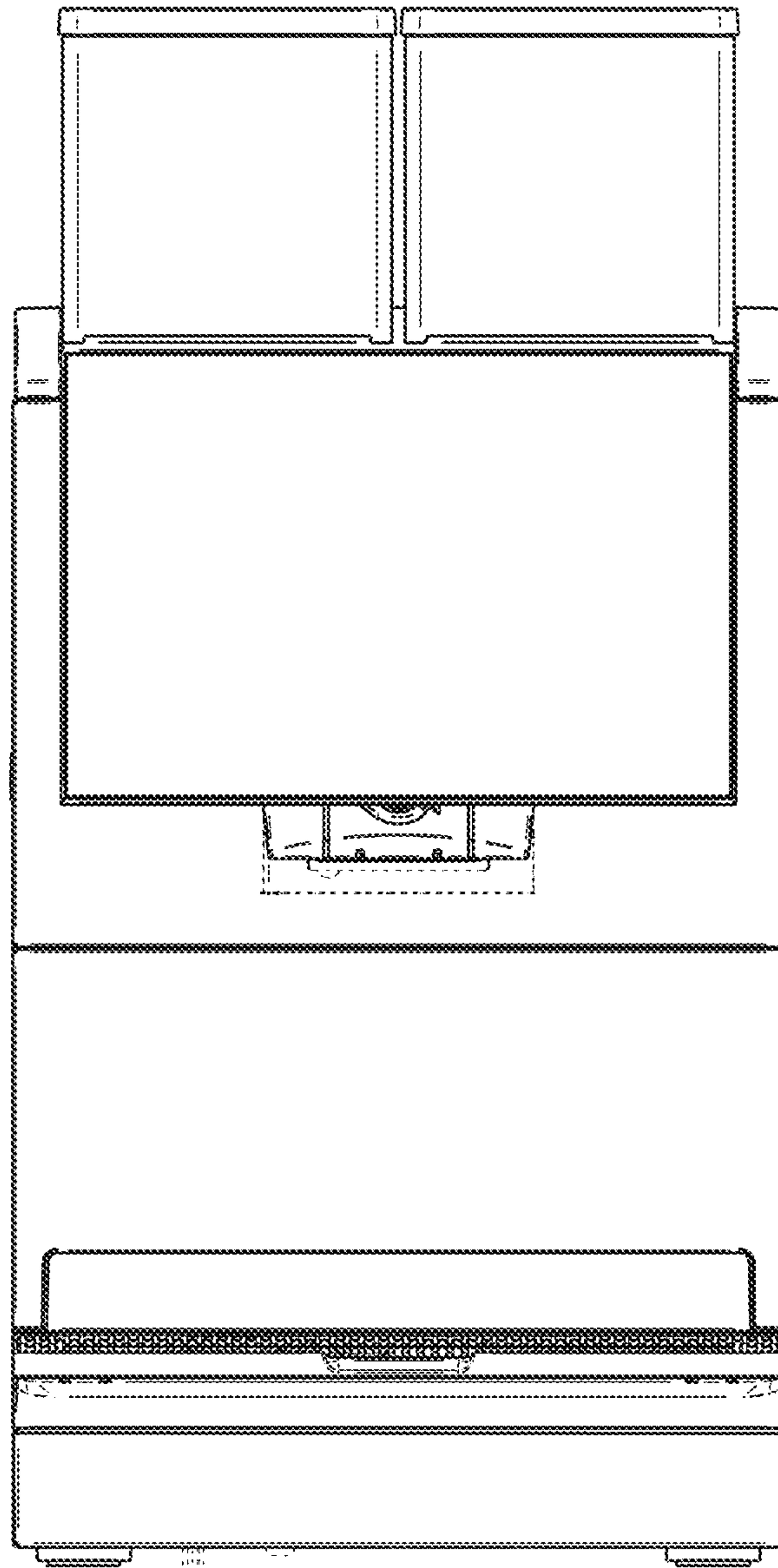


FIG. 2

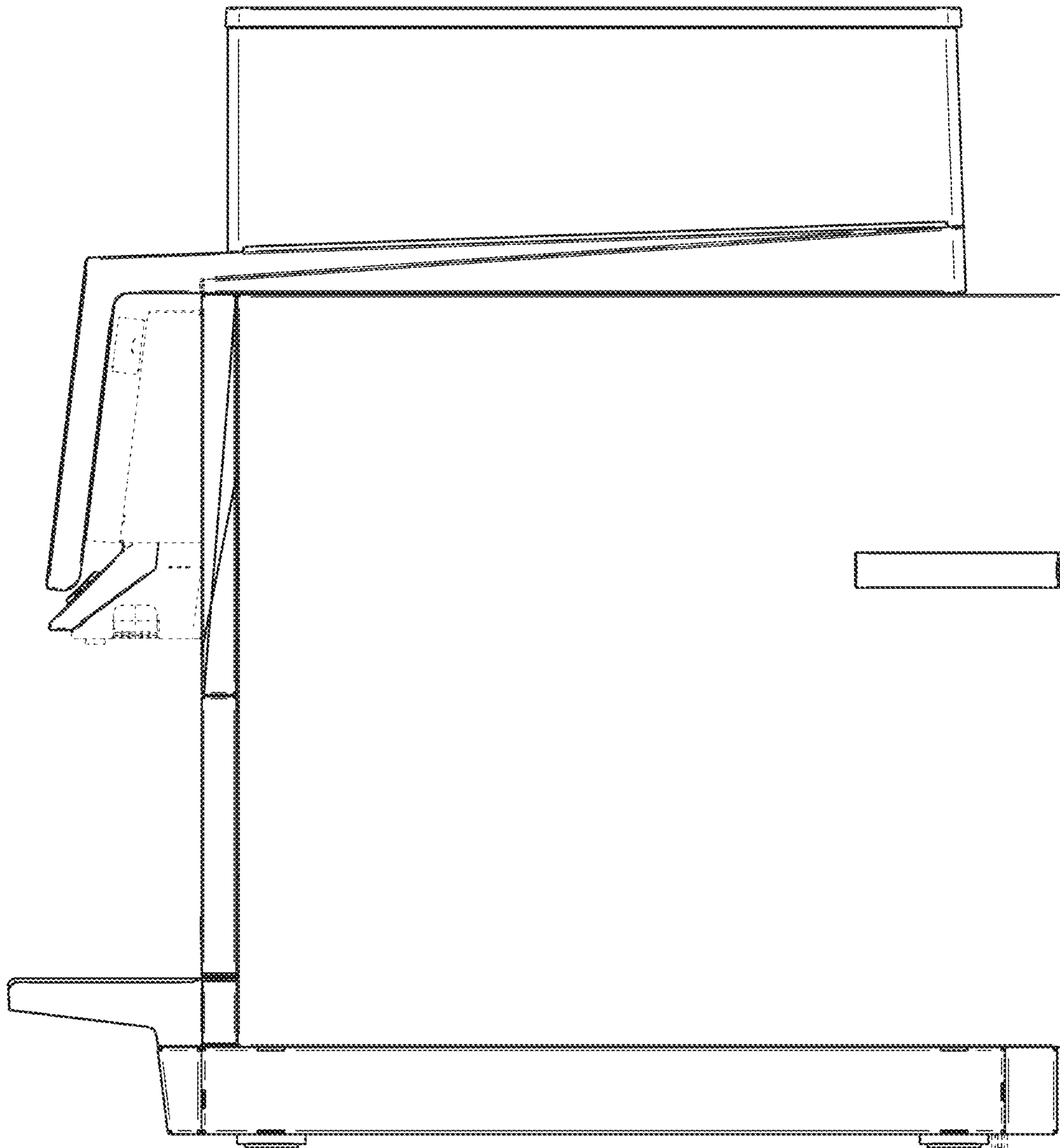


FIG. 3

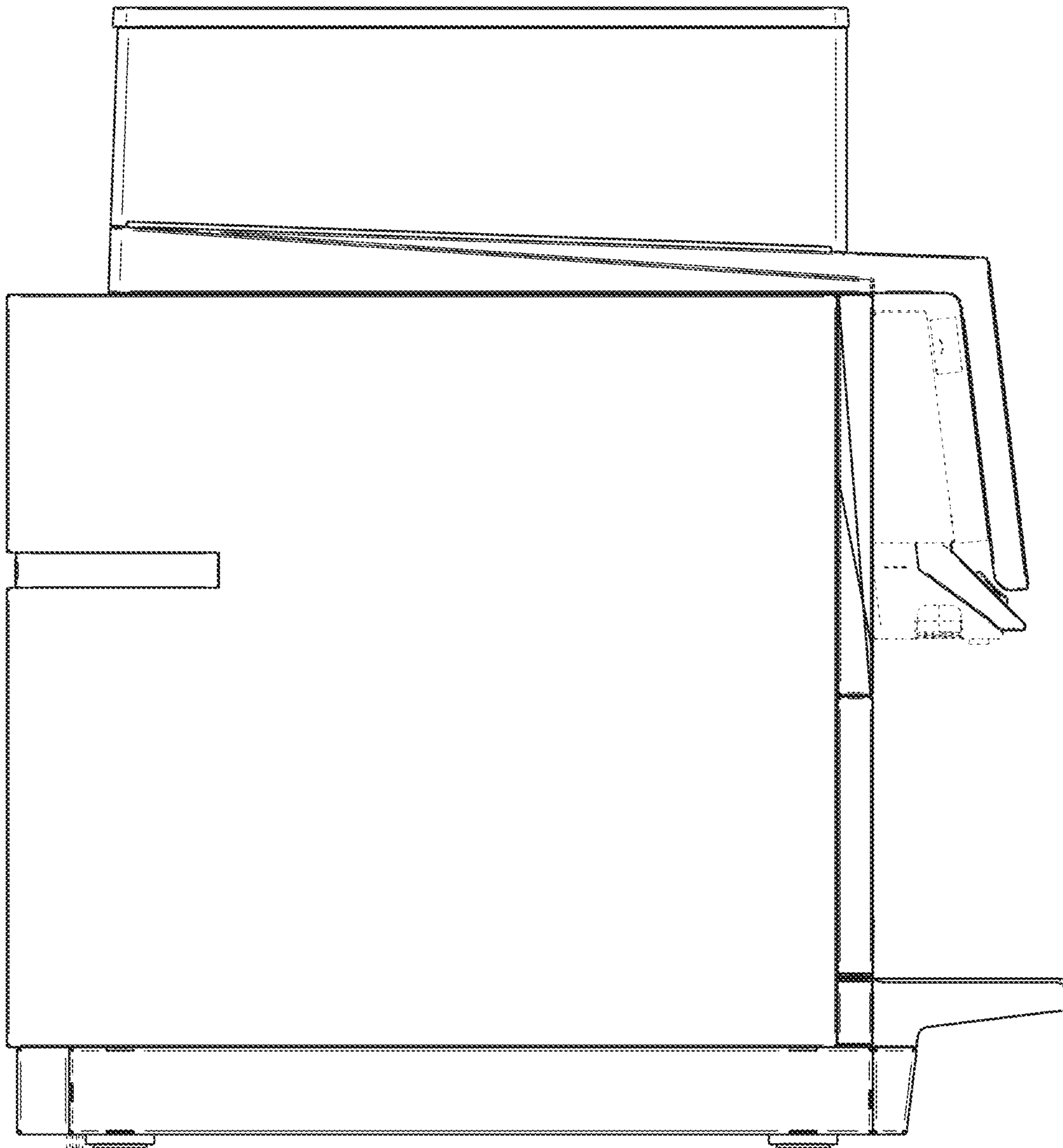


FIG. 4

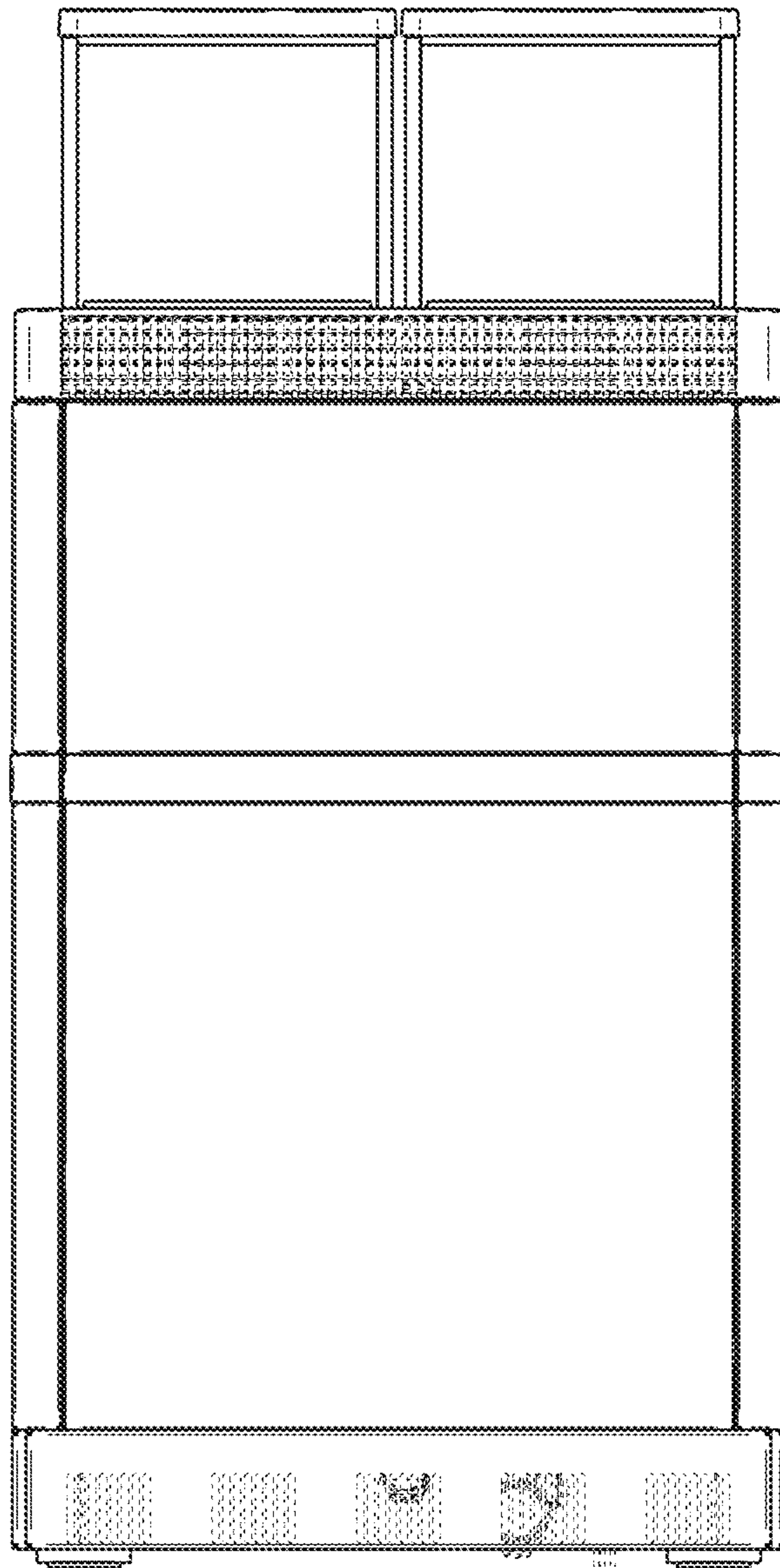


FIG. 5

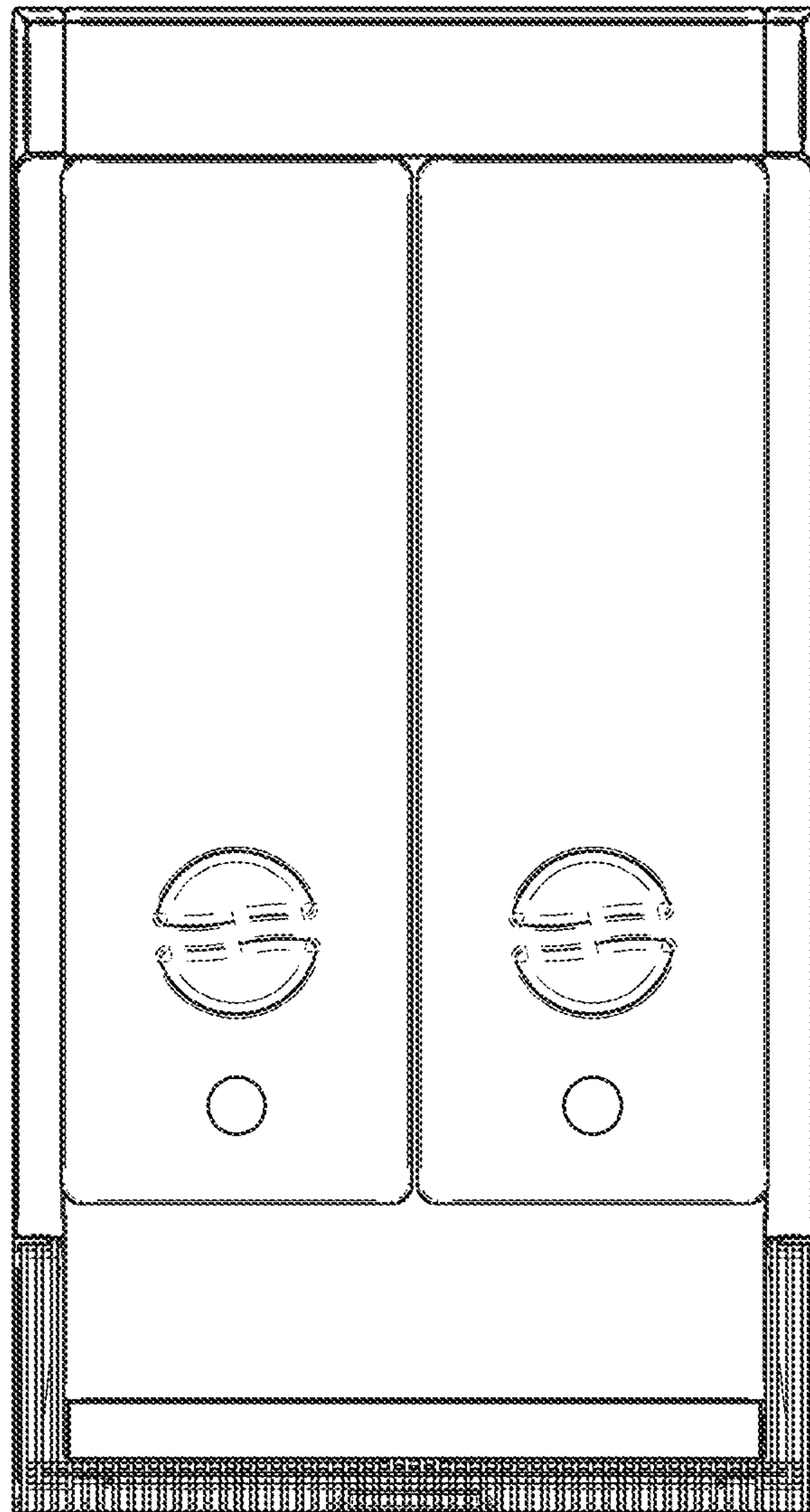


FIG. 6

UNITED STATES PATENT AND TRADEMARK OFFICE
CERTIFICATE OF CORRECTION

PATENT NO. : D955,796 S
APPLICATION NO. : 29/713977
DATED : June 28, 2022
INVENTOR(S) : Adrian Steiner

Page 1 of 1

It is certified that error appears in the above-identified patent and that said Letters Patent is hereby corrected as shown below:

On the Title Page

Column 1 Add:
(30) Foreign Application Priority Data
May 21, 2019 (WIPO)WIPO 83770

Signed and Sealed this
Twentieth Day of December, 2022



Katherine Kelly Vidal
Director of the United States Patent and Trademark Office