



US00D955795S

(12) **United States Design Patent**  
**Bowers**

(10) **Patent No.:** **US D955,795 S**  
(45) **Date of Patent:** **\*\* Jun. 28, 2022**

(54) **CHILD CAR SEAT BASE**

D797,465 S \* 9/2017 Pos ..... D6/333  
D917,215 S \* 4/2021 Van Gelderen ..... D6/715

(71) Applicant: **Wonderland Switzerland AG,**  
Steinhausen (CH)

\* cited by examiner

(72) Inventor: **Patrick Bowers,** West Chester, PA (US)

*Primary Examiner* — Abraham Bahta

(73) Assignee: **WONDERLAND SWITZERLAND**  
**AG,** Steinhausen (CH)

(74) *Attorney, Agent, or Firm* — Bacon & Thomas, PLLC

(\*\*) Term: **15 Years**

(57) **CLAIM**

(21) Appl. No.: **29/742,301**

The ornamental design for a child car seat base, as shown and described.

(22) Filed: **Aug. 12, 2020**

(51) **LOC (13) Cl.** ..... **06-06**

**DESCRIPTION**

(52) **U.S. Cl.**

USPC ..... **D6/715**

(58) **Field of Classification Search**

USPC ..... D6/333–334, 356, 364, 366, 372–375,  
D6/708.19, 716, 716.1, 716.2, 716.4

CPC .... A47C 1/12; A47C 1/14; A47C 1/16; A47C  
3/16; A47C 4/02; A47C 4/03; A47C 5/12;

A47C 7/00; A47C 7/02; A47C 7/021;

A47C 7/022; A47C 7/16; A47C 7/40;

B60N 2/26; B60N 2/28; B60N 2/2803;

B60N 2/2821; B60N 2/2884; B60N 2/30

See application file for complete search history.

FIG. 1 is a perspective view of a child car seat base, showing my new design;

FIG. 2 is a front view of FIG. 1;

FIG. 3 is a rear view of FIG. 1;

FIG. 4 is a left side view of FIG. 1;

FIG. 5 is a right side view of FIG. 1;

FIG. 6 is a top view of FIG. 1;

FIG. 7 is a bottom view of FIG. 1; and,

FIG. 8 is a perspective view showing the child car seat base shown in FIG. 1 in use.

The broken lines shown in the drawings are for illustrative purposes only and form no part of the claimed design.

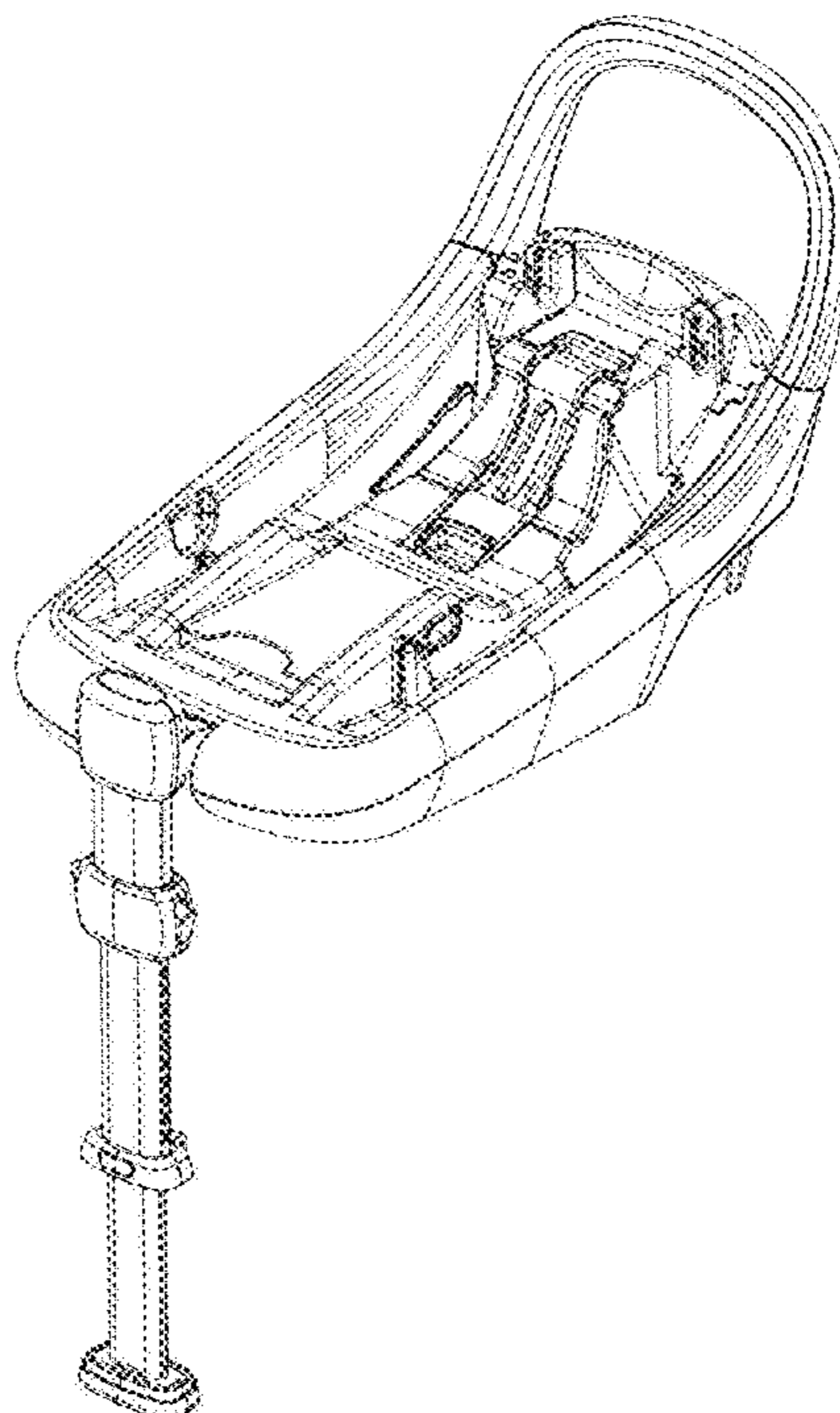
(56) **References Cited**

**U.S. PATENT DOCUMENTS**

D687,231 S \* 8/2013 Gillett ..... D6/333

D692,678 S \* 11/2013 Williams ..... D6/333

**1 Claim, 8 Drawing Sheets**



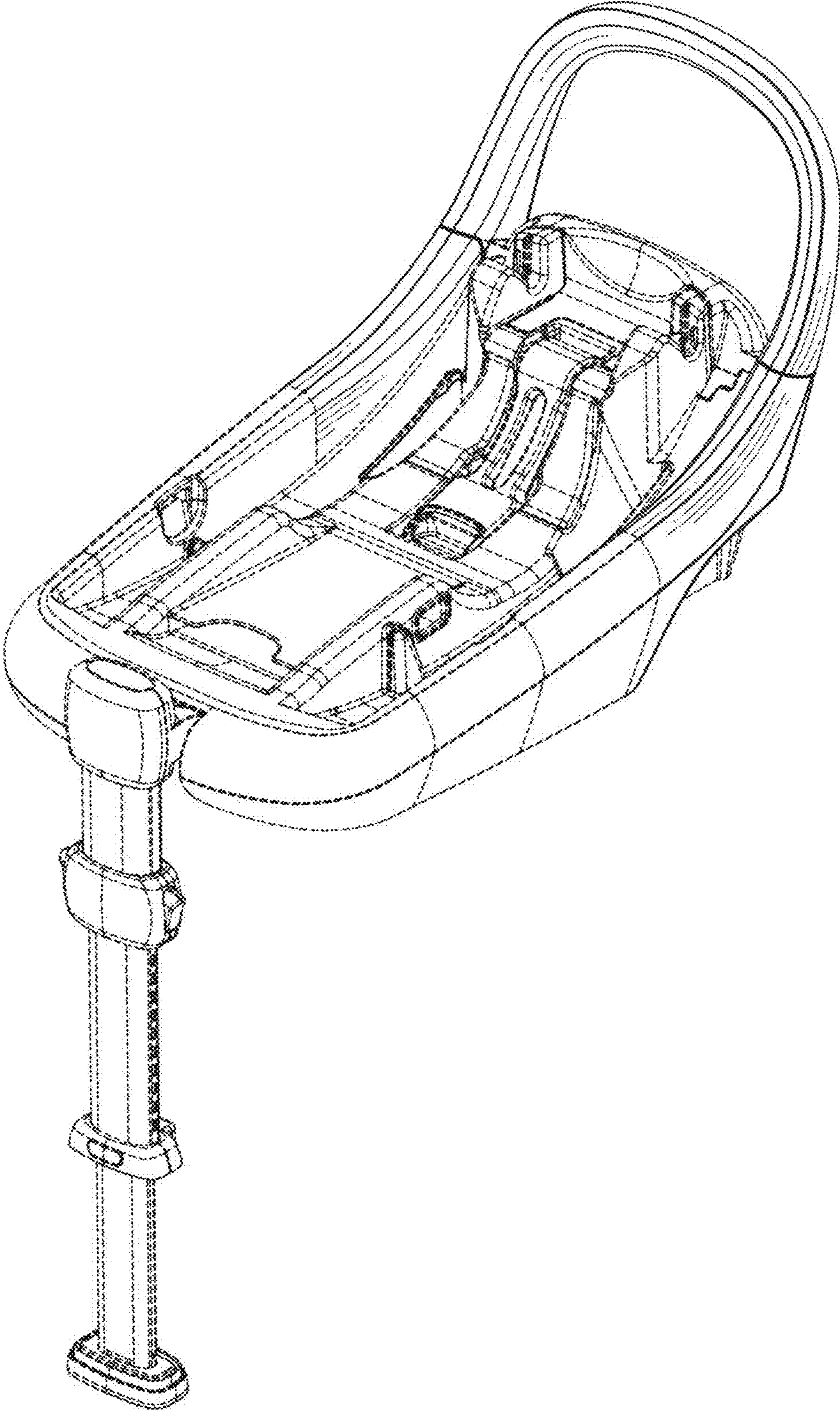


FIG. 1

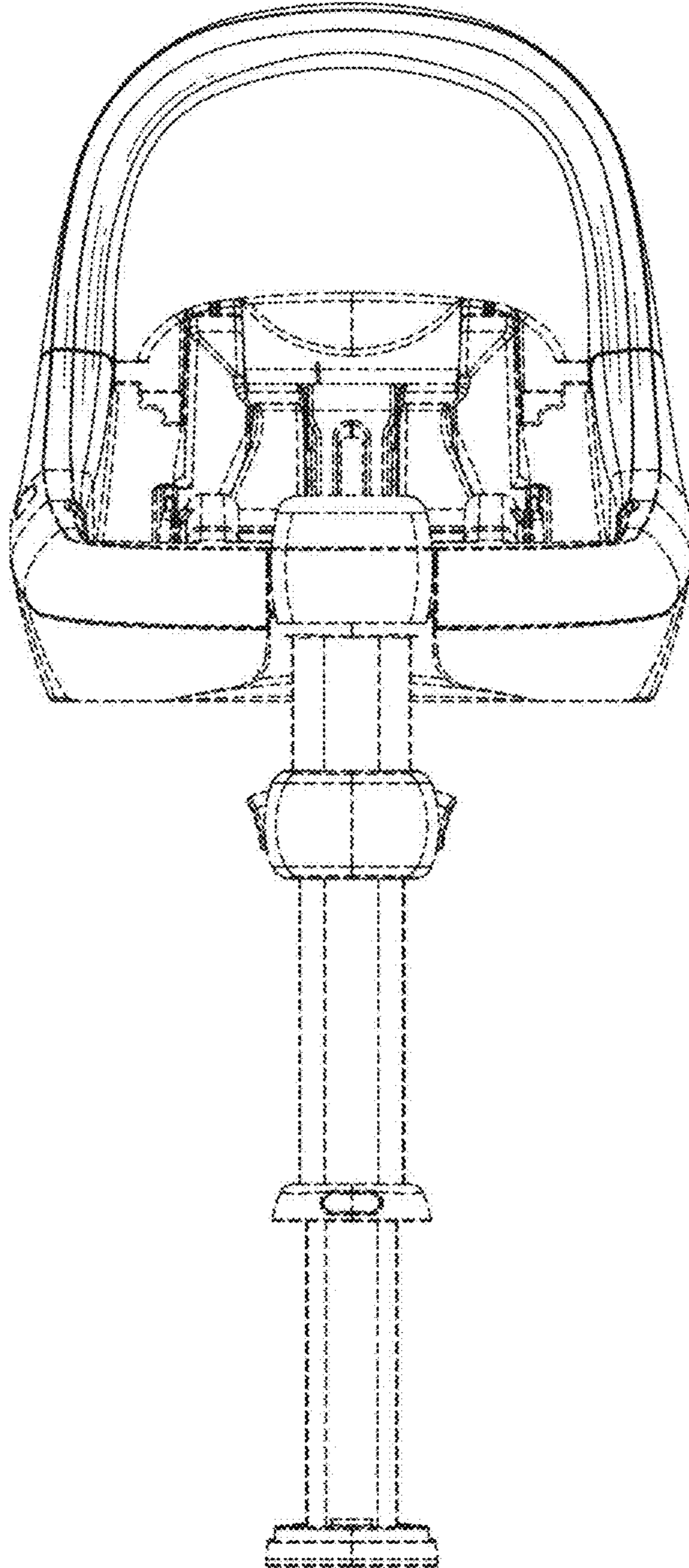


FIG. 2

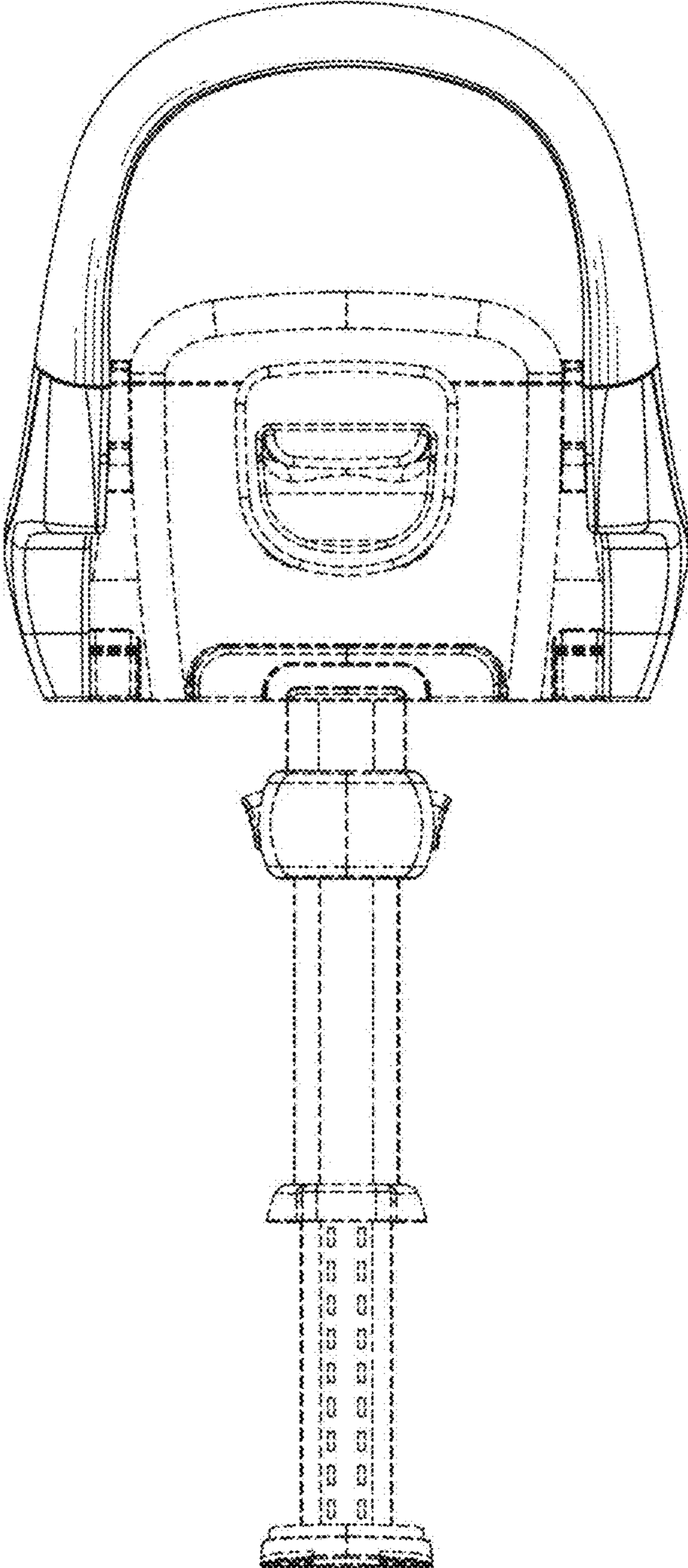


FIG. 3

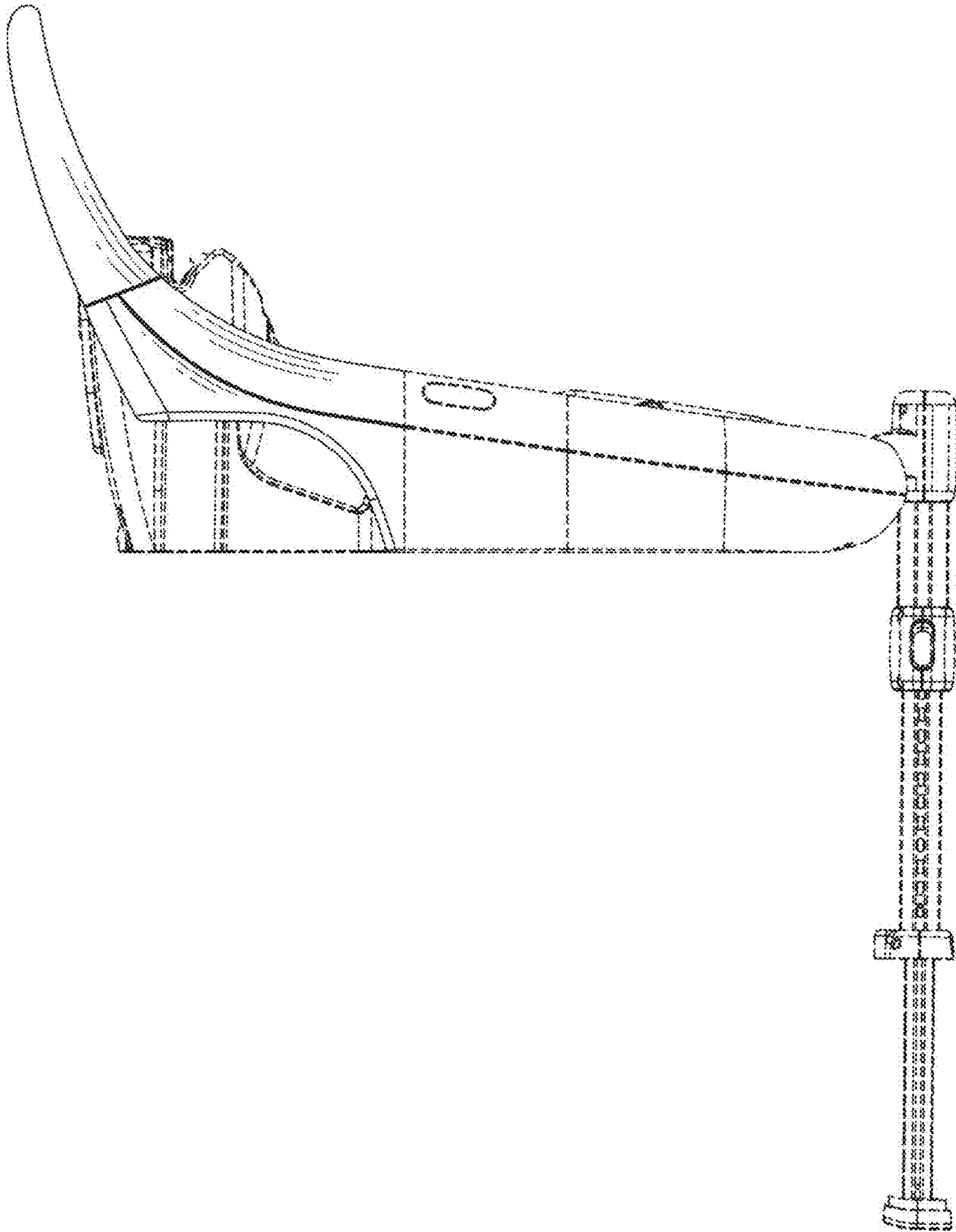


FIG. 4

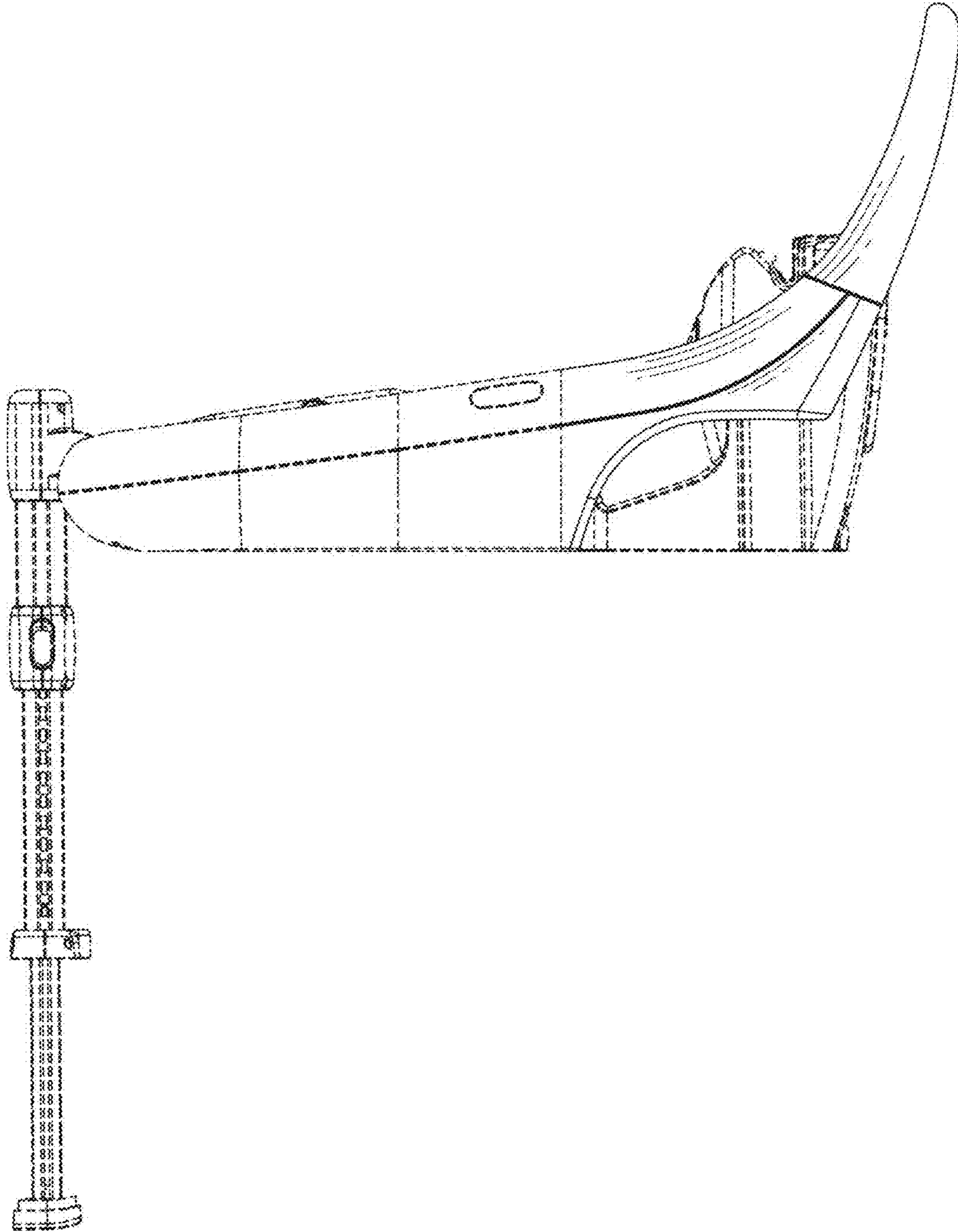


FIG. 5

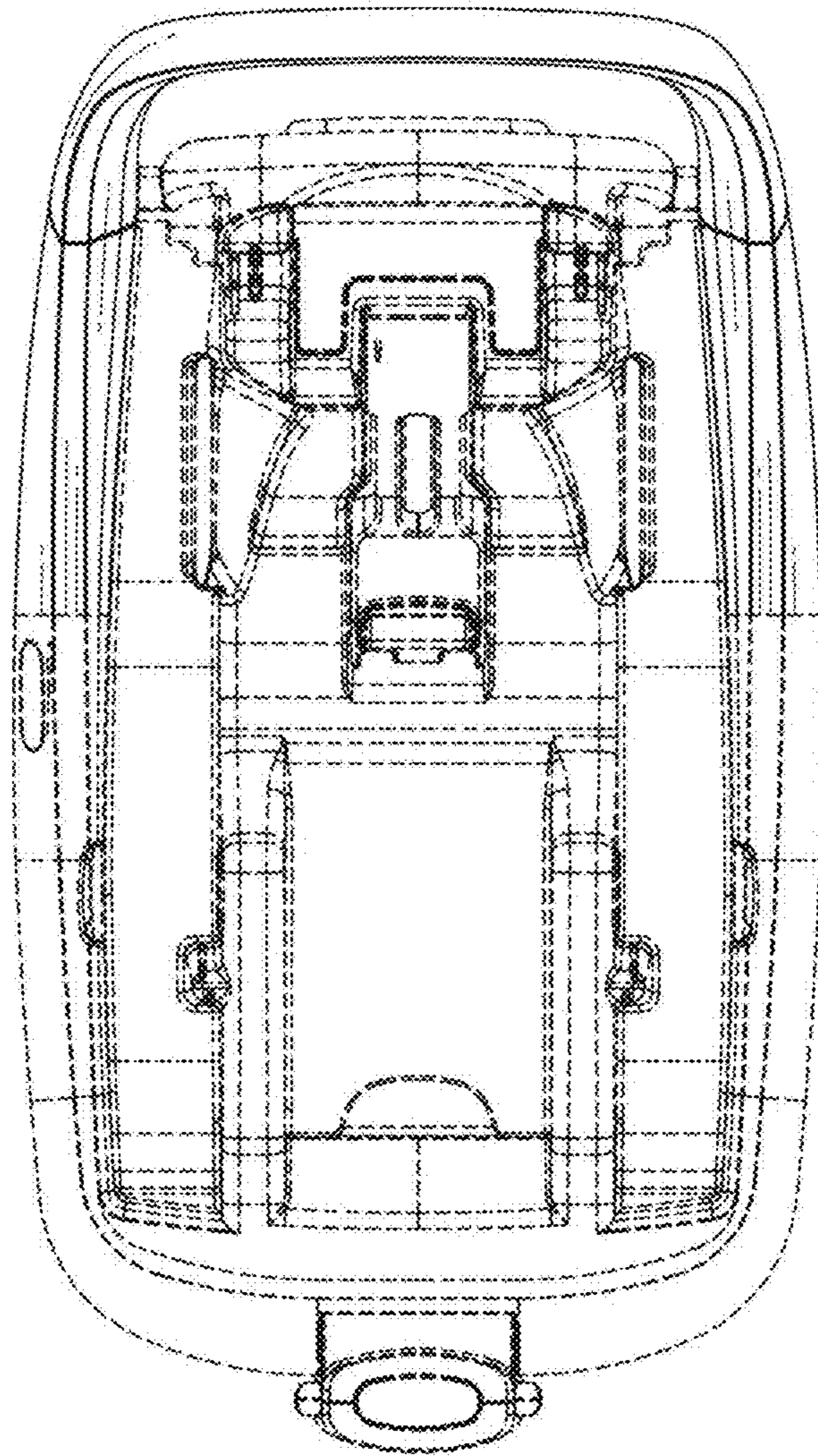


FIG. 6

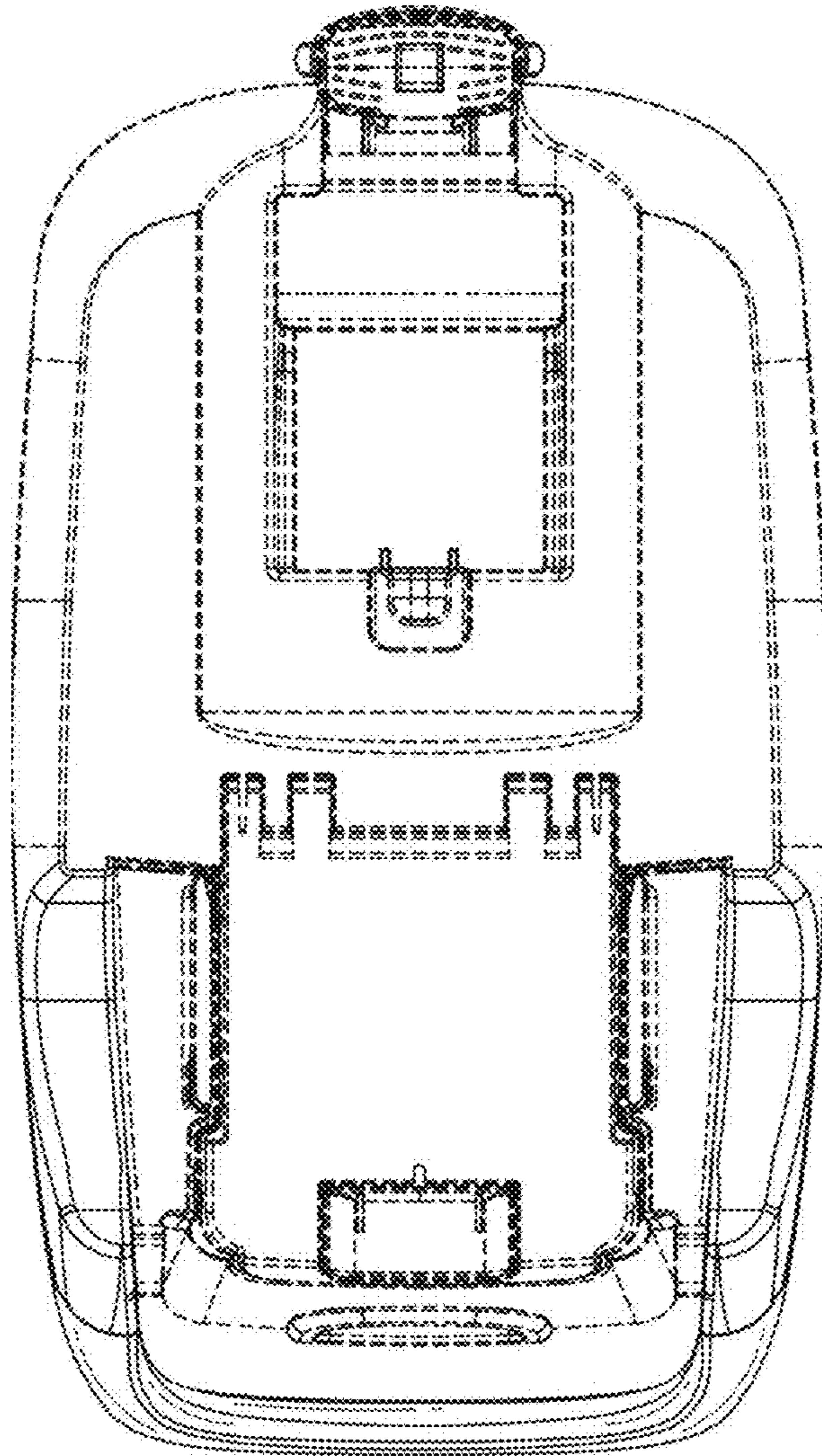


FIG. 7



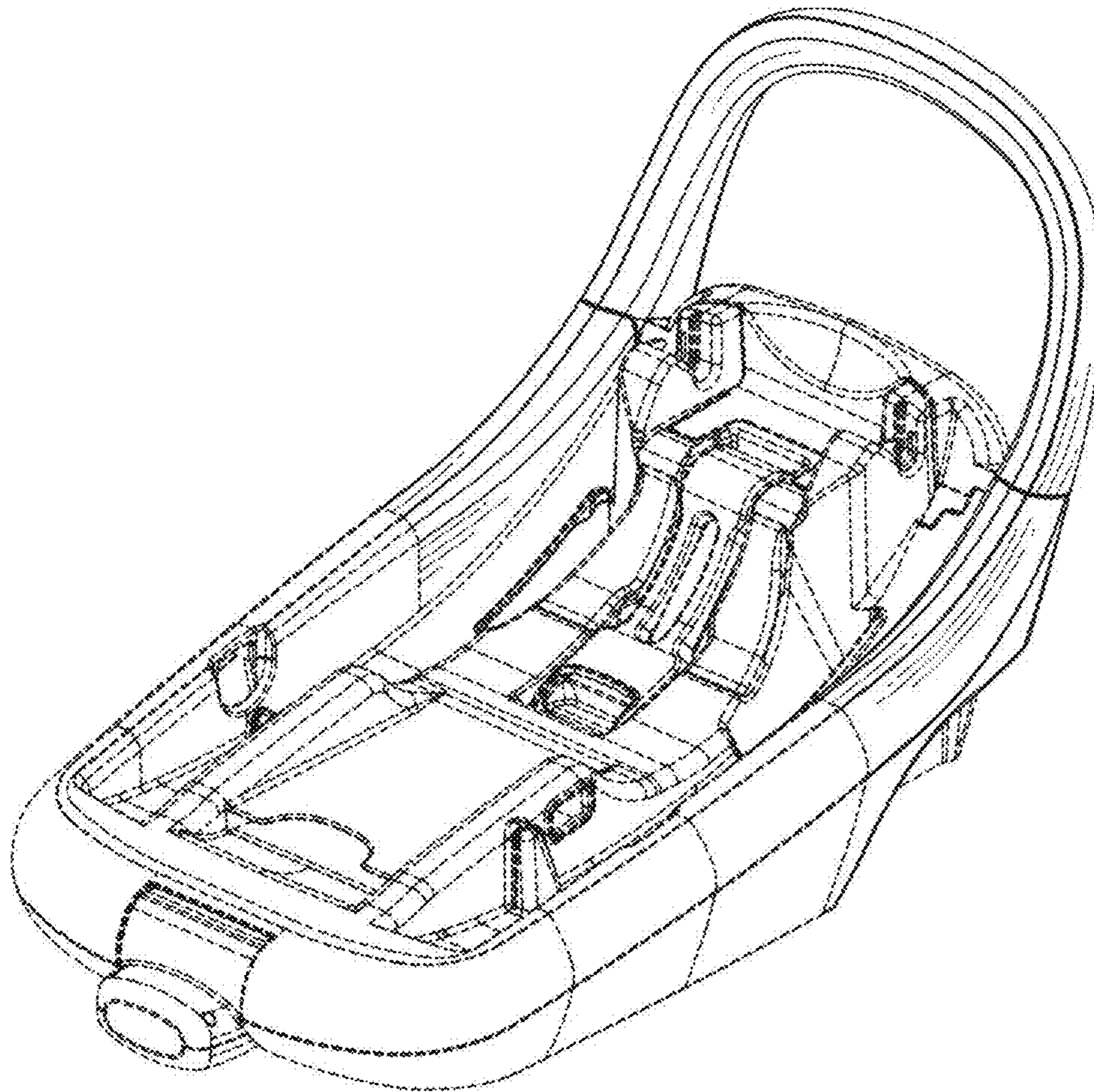


FIG. 8