



US00D955793S

(12) **United States Design Patent** (10) **Patent No.:** **US D955,793 S**
Wasserman (45) **Date of Patent:** **** Jun. 28, 2022**

(54) **ILLUMINATED PARTY BAR**
(71) Applicant: **KPI ENTERTAINMENT, INC.**, Oak Park, CA (US)
(72) Inventor: **Adam Wasserman**, Oak Park, CA (US)
(73) Assignee: **KPI ENTERTAINMENT, INC.**, Oak Park, CA (US)
(**) Term: **15 Years**
(21) Appl. No.: **29/700,164**
(22) Filed: **Jul. 31, 2019**
(51) **LOC (13) Cl.** **06-03**
(52) **U.S. Cl.**
USPC **D6/699.1**
(58) **Field of Classification Search**
USPC D6/641, 642, 656, 656.1, 656.12–656.19, D6/685, 686, 691, 691.1–691.9, 698, 699, D6/699.1, 702, 705, 707, 707.19, 675, D6/675.1
CPC .. A47B 7/00; A47B 9/00; A47B 13/00; A47B 13/02; A47B 13/08; A47B 13/081; A47B 13/083; A47B 13/10; A47B 13/12; A47B 19/00; A47B 21/00; A47B 2200/0001; A47B 17/00; A47B 53/00; A47B 55/00; A47F 3/00; A47F 9/00; A47F 9/005; A47F 9/02
See application file for complete search history.

D836,726 S * 12/2018 Wasserman D21/397
D863,852 S * 10/2019 Lizotte D6/698
D867,798 S * 11/2019 Clegg D6/707.26
D903,390 S * 12/2020 Leng D6/707.19
2006/0230989 A1* 10/2006 Haney B65D 11/24
108/57.25
2012/0181905 A1* 7/2012 Ceballos-Godefroy
A47F 9/00
312/140.3
2018/0049547 A1* 2/2018 Wasserman A63B 67/002
2019/0021484 A1* 1/2019 Leng A47B 13/083
2019/0269261 A1* 9/2019 Yajima G06K 7/1413

* cited by examiner

Primary Examiner — Mary Ann Calabrese
(74) *Attorney, Agent, or Firm* — Ferguson Case Orr Paterson

(57) **CLAIM**

The ornamental design for an illuminated party bar, as shown and described.

DESCRIPTION

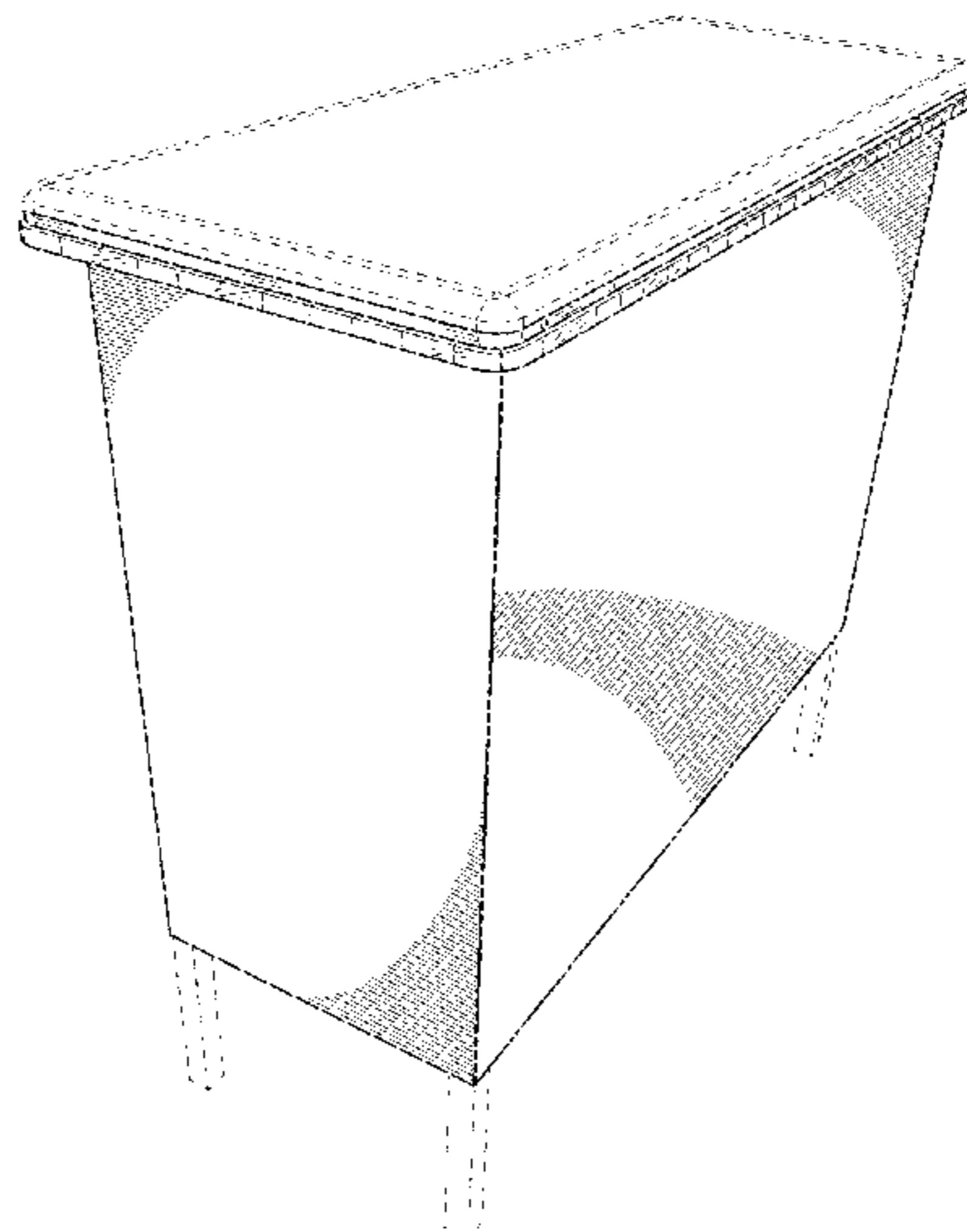
FIG. 1 is a top, front, right side perspective view of an illuminated party bar, showing the new design.
FIG. 2 is a front elevation view of the bar of FIG. 1.
FIG. 3 is a rear elevation view of the bar of FIG. 1.
FIG. 4 is a right side elevation view of the bar of FIG. 1.
FIG. 5 is a left side elevation view of the bar of FIG. 1.
FIG. 6 is a top plan view of the bar of FIG. 1.
FIG. 7 is a bottom plan view of the bar of FIG. 1; and,
FIG. 8 is a top, front, right side perspective view of the bar of FIG. 1 with the light sources in an illuminated state.
The broken line portion of the drawings is included to show portions of the article that form no part of the claimed design. The longer dashed broken lines in FIG. 8 are included to show environment representing illumination and form no part of the claimed design.

1 Claim, 6 Drawing Sheets

(56) **References Cited**

U.S. PATENT DOCUMENTS

D107,152 S * 11/1937 Jackson D6/691.5
D113,459 S * 2/1939 Haag D6/656.1
D149,525 S * 5/1948 Sundberg D6/691.6
D417,981 S * 12/1999 Zwicker D6/699.1
D489,557 S * 5/2004 Strong D6/707.19
8,960,817 B2* 2/2015 Ceballos-Godefroy
A47F 9/00
312/262
D776,849 S * 1/2017 Fissell B65D 11/24
D26/51



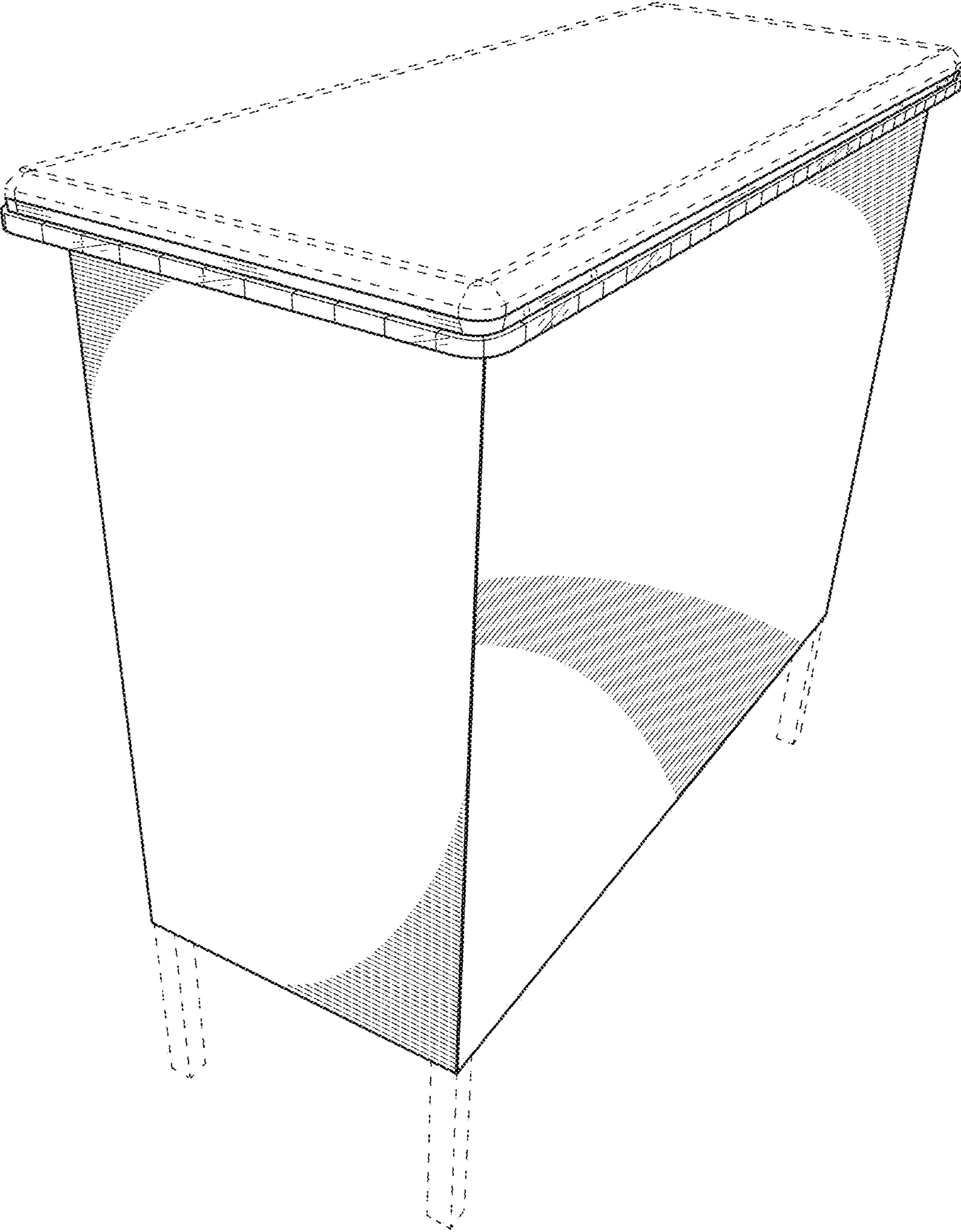


FIG. 1

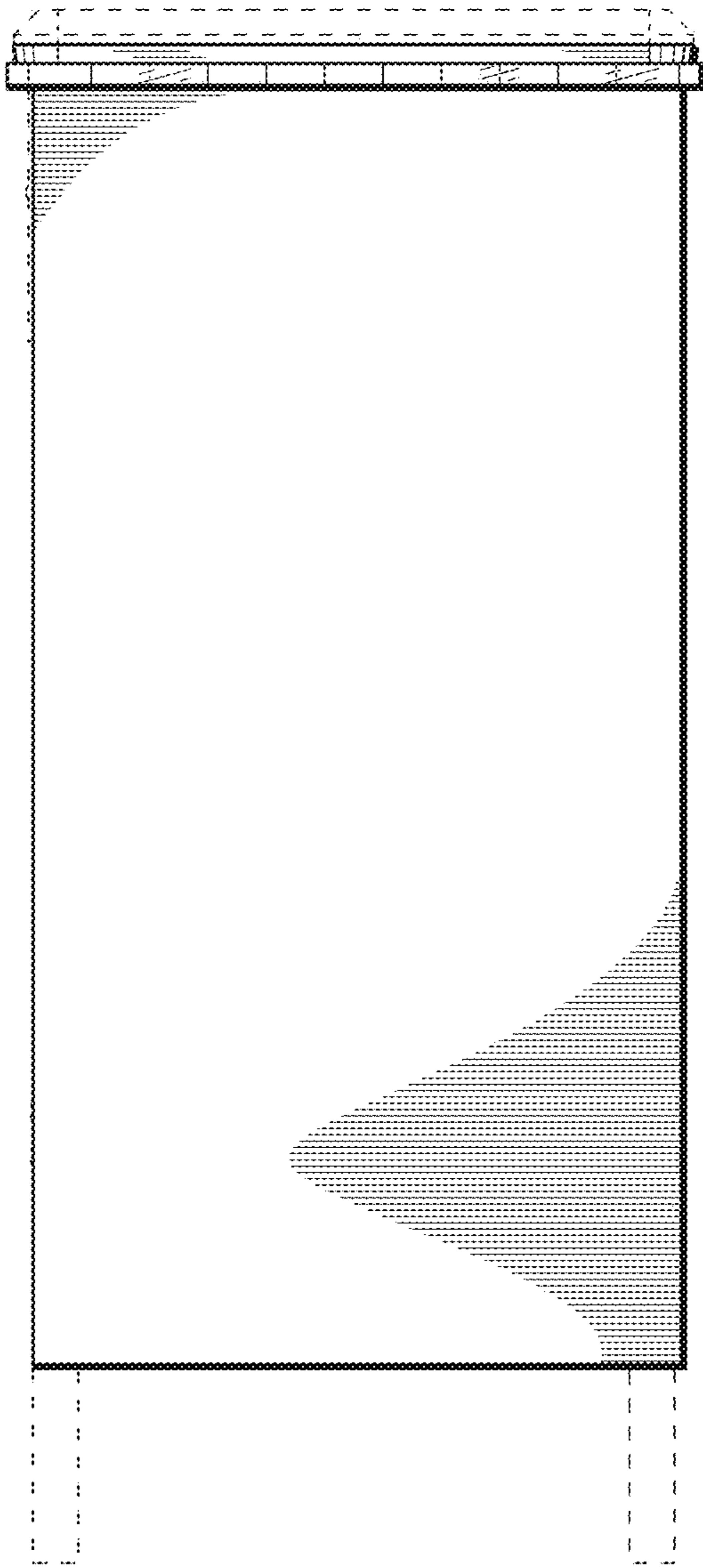


FIG. 2

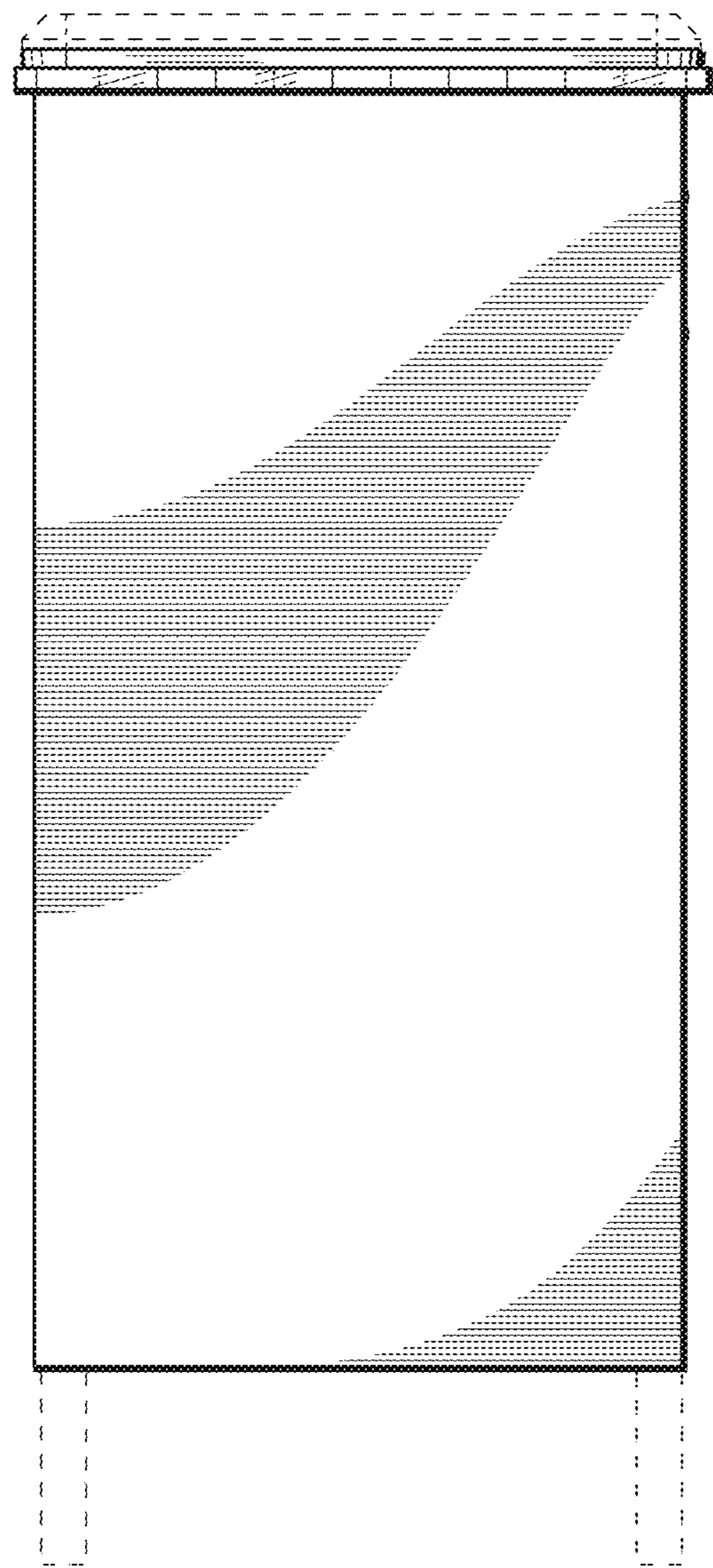


FIG. 3

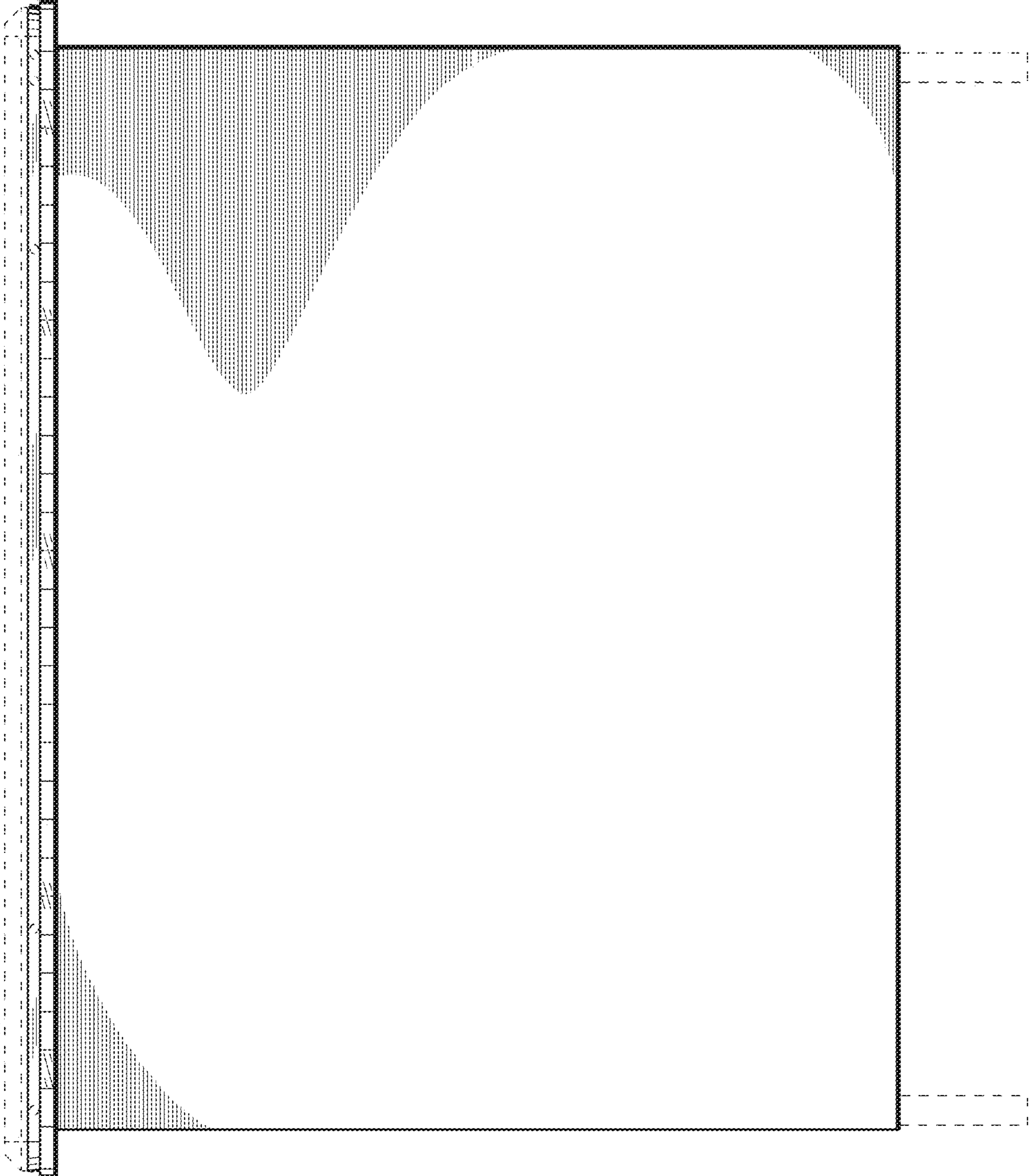


FIG. 4

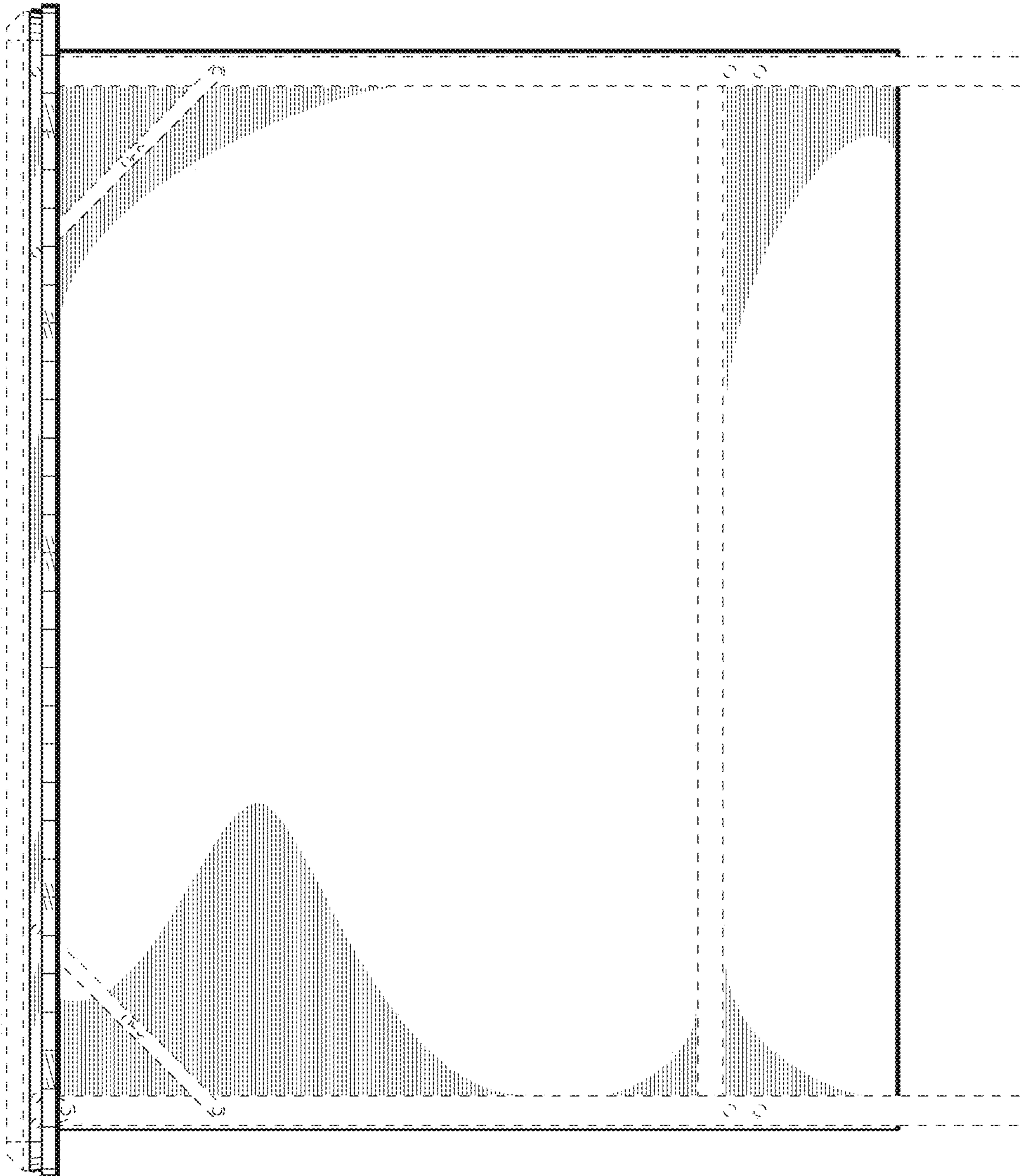


FIG. 5

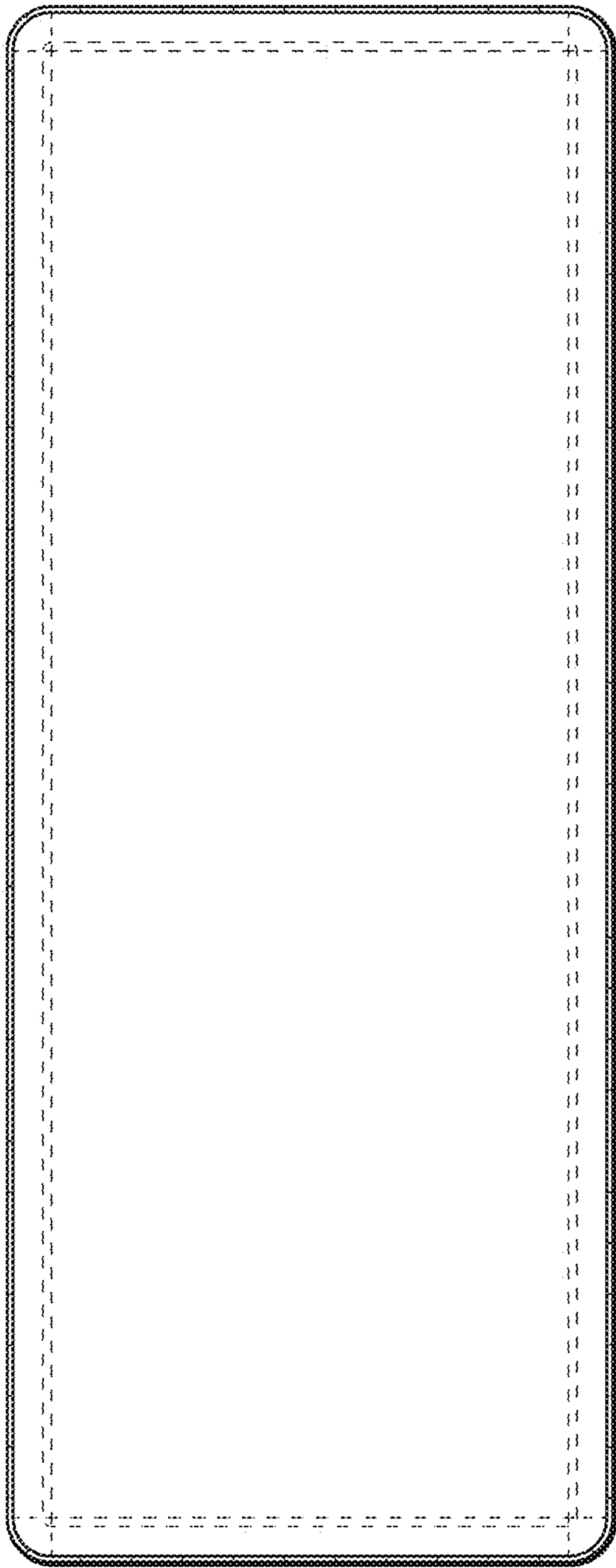


FIG. 6

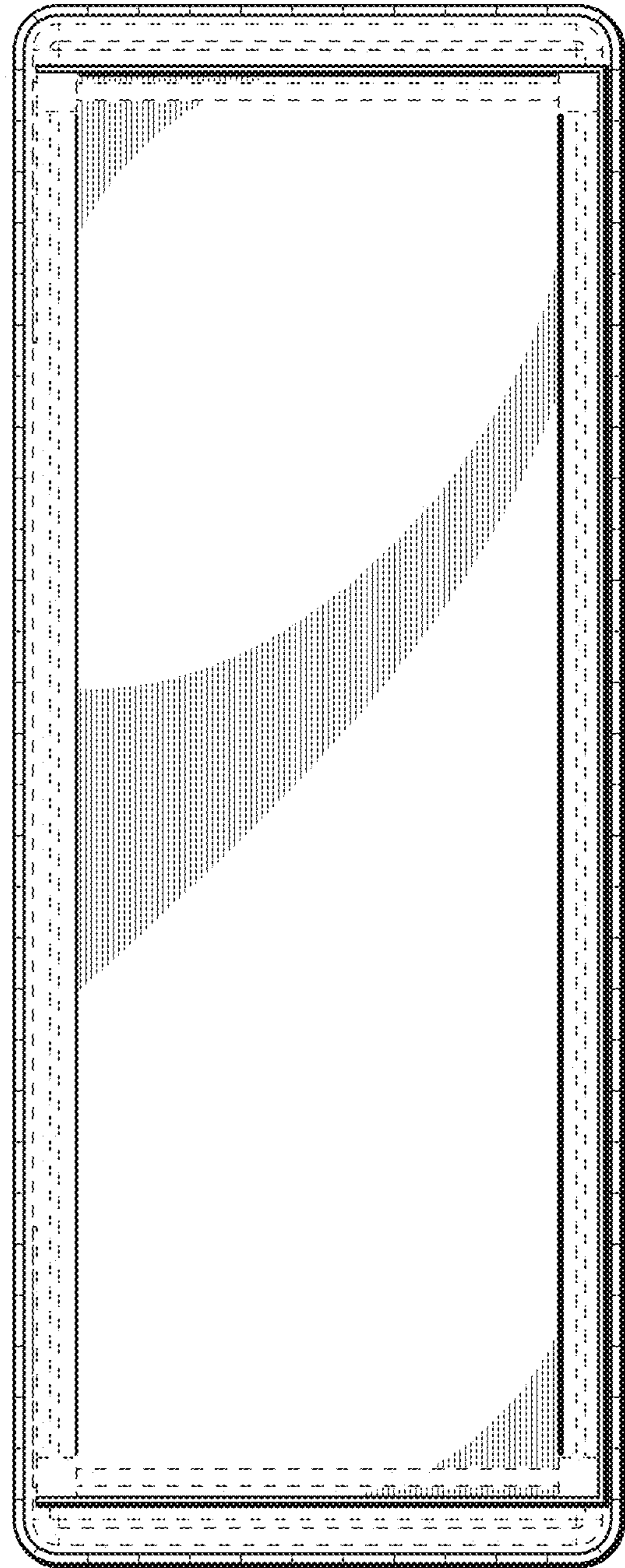


FIG. 7

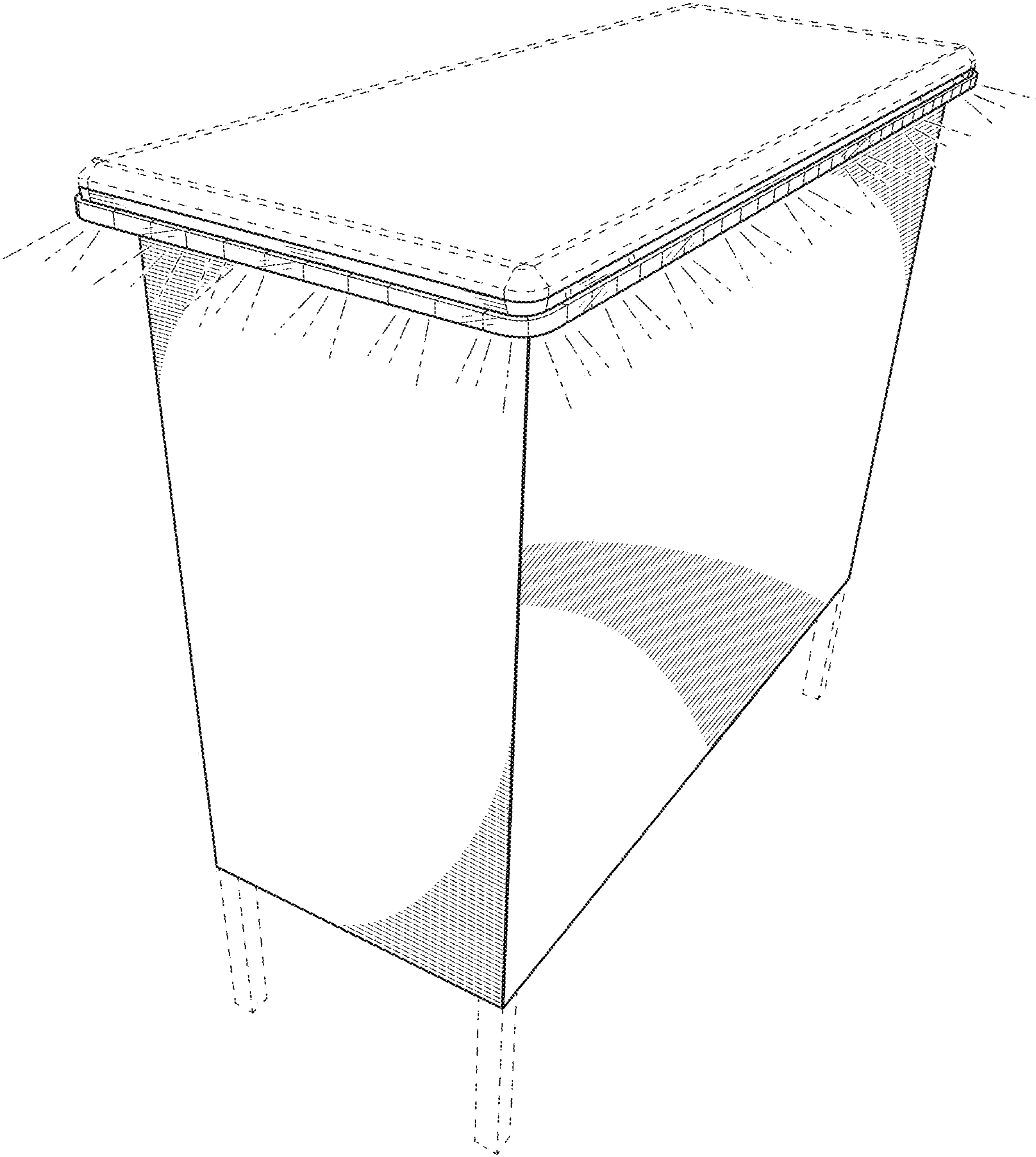


FIG. 8