



US00D955792S

(12) **United States Design Patent** (10) **Patent No.:** **US D955,792 S**
Li (45) **Date of Patent:** **** Jun. 28, 2022**

(54) **TABLE**

- (71) Applicant: **Hangzhou Rulyi Outdoor Leisure Products Co., Ltd, Zhejiang (CN)**
- (72) Inventor: **Ren Li, Zhejiang (CN)**
- (**) Term: **15 Years**
- (21) Appl. No.: **29/726,685**
- (22) Filed: **Mar. 5, 2020**

(30) **Foreign Application Priority Data**

- Sep. 12, 2019 (CN) 201930502272.5
- (51) **LOC (13) Cl.** **06-03**
- (52) **U.S. Cl.**
USPC **D6/691.1**
- (58) **Field of Classification Search**
USPC D6/684-686, 691, 691.1-691.9
CPC A47B 7/00; A47B 13/00; A47B 13/02;
A47B 13/04; A47B 13/06; A47B 13/08;
A47B 13/10; A47B 13/12; A47B 17/00;
A47B 21/00; A47B 2200/0001; A47B
2200/0011; A47B 2200/002
See application file for complete search history.

(56) **References Cited**

U.S. PATENT DOCUMENTS

- D233,499 S * 11/1974 Sakata D6/686
- D308,615 S * 6/1990 Hubert D6/691.1
- D448,211 S * 9/2001 Schulte D6/686
- D475,869 S * 6/2003 Jackson D6/691.1
- D919,776 S * 5/2021 Zhong D23/332

OTHER PUBLICATIONS

- Side Table Umbrella Base with Wheels—Abba Patio <https://www.abbapatio.com/products/metal-square-side-table-free-standing-umbrella-base> retrieved from the internet on Oct. 14, 2021.*
- Umbrella Stand Side Table—BrylaneHome <https://www.brylanehome.com/products/umbrella-stand-side-table/1026938.html> retrieved from the internet on Oct. 14, 2021.*
- Wicker Rattan Patio Side Table—Amazon <https://www.amazon.com/Best-Choice-Products-Furniture-Umbrella/dp/B01DTMYKZQ> retrieved from the internet on Oct. 14, 2021.*

* cited by examiner

Primary Examiner — Mary Ann Calabrese

(74) *Attorney, Agent, or Firm* — Prakash Nama; Global IP Services, PLLC

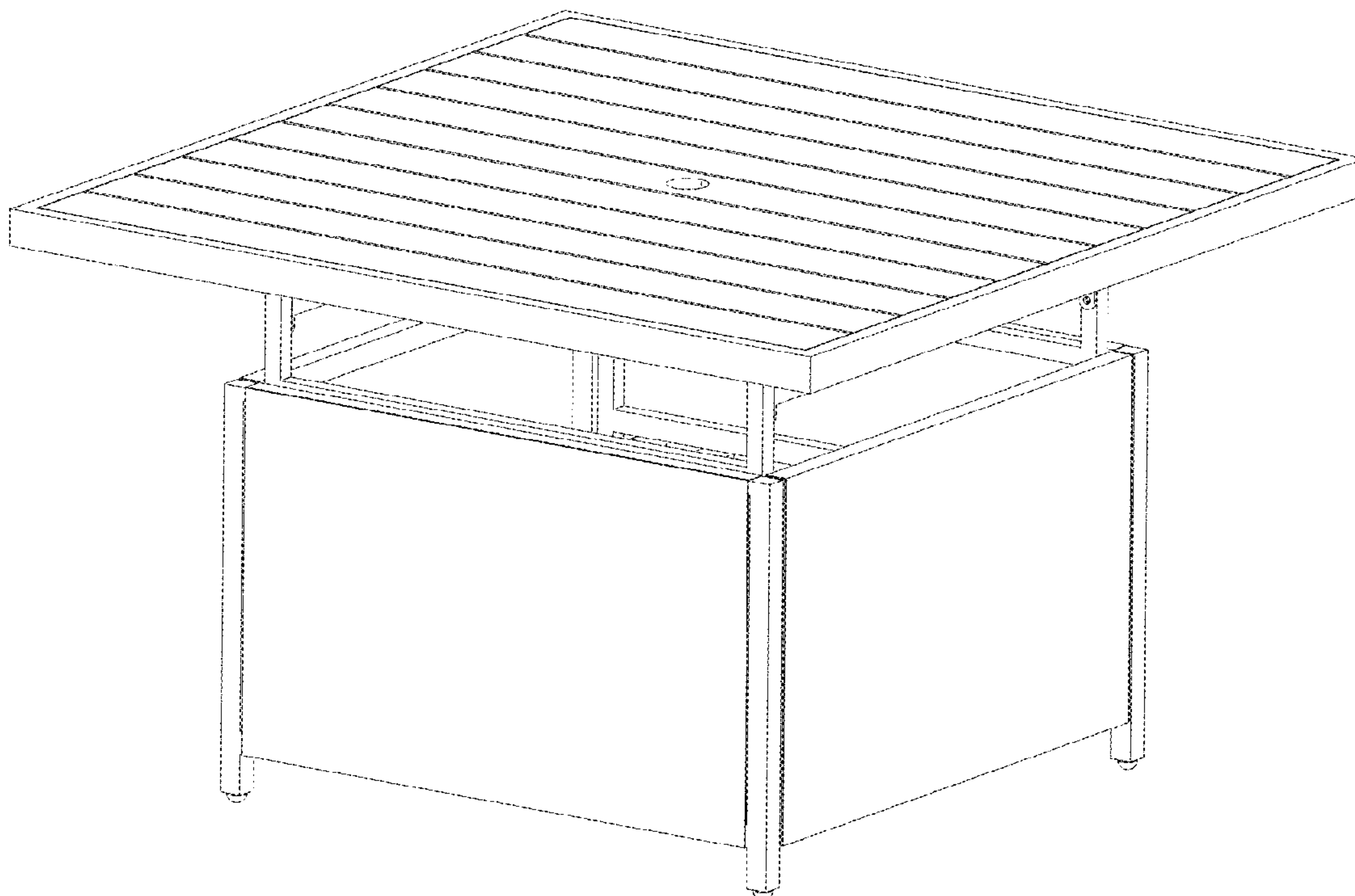
(57) **CLAIM**

The ornamental design for a table, as shown and described.

DESCRIPTION

FIG. 1 is a front elevational view of a table showing my new design;
 FIG. 2 is a rear elevational view thereof;
 FIG. 3 is a left side view thereof;
 FIG. 4 is a right side view thereof;
 FIG. 5 is a top plan view thereof;
 FIG. 6 is a bottom plan view thereof; and,
 FIG. 7 is a perspective view thereof.
 The broken lines illustrate portions of the table that form no part of the claimed design.

1 Claim, 7 Drawing Sheets



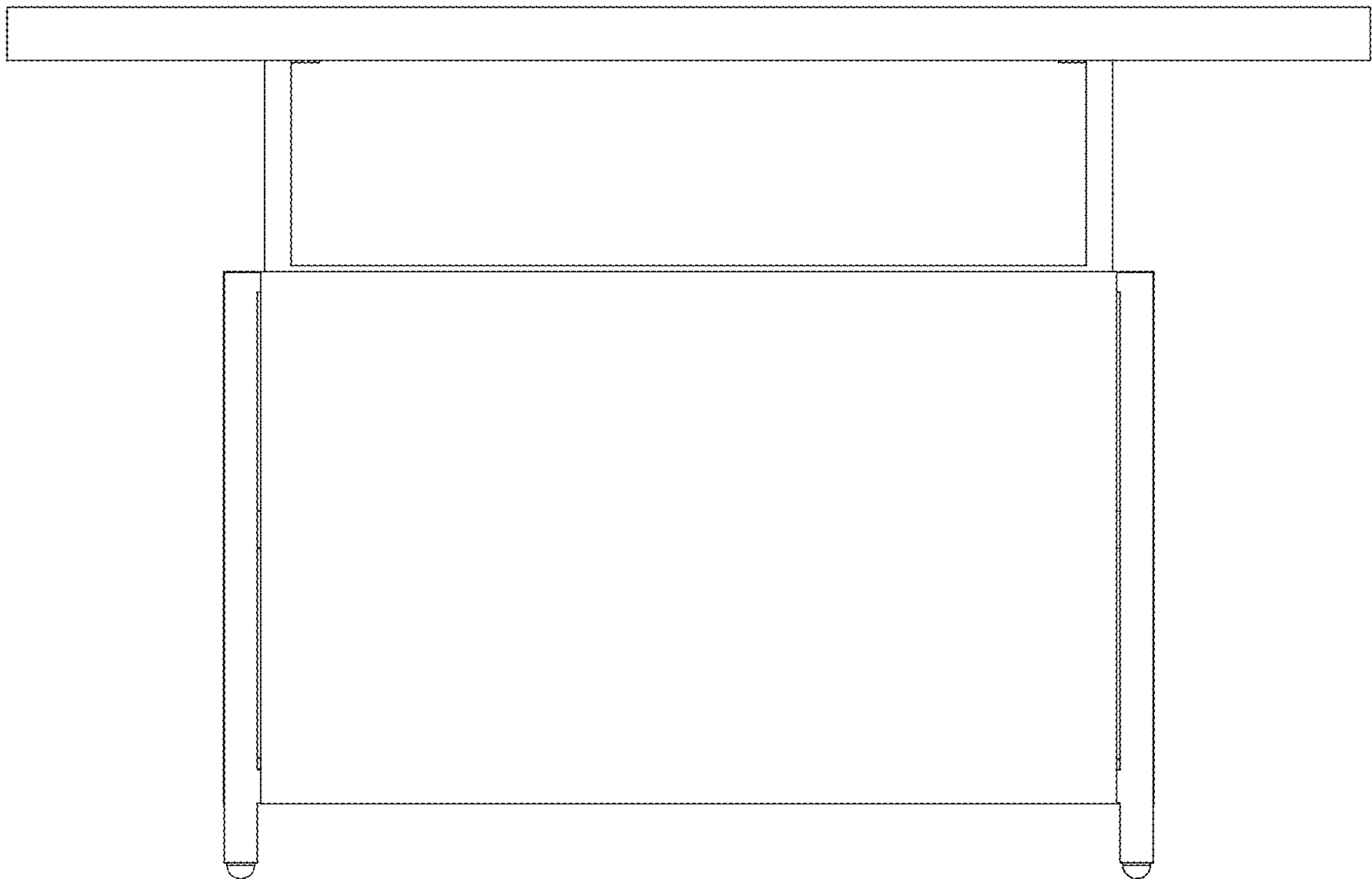


FIG. 1

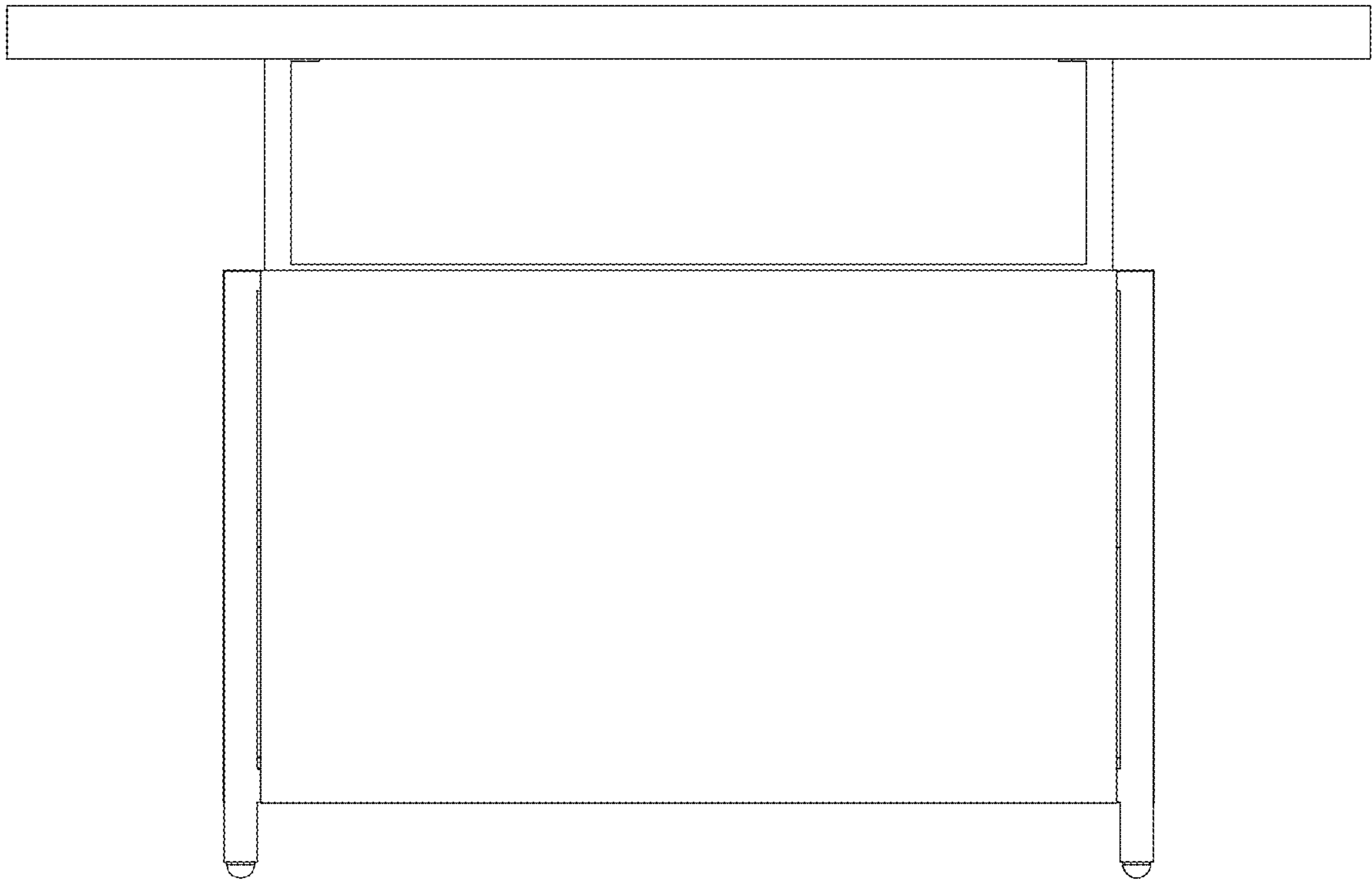


FIG. 2

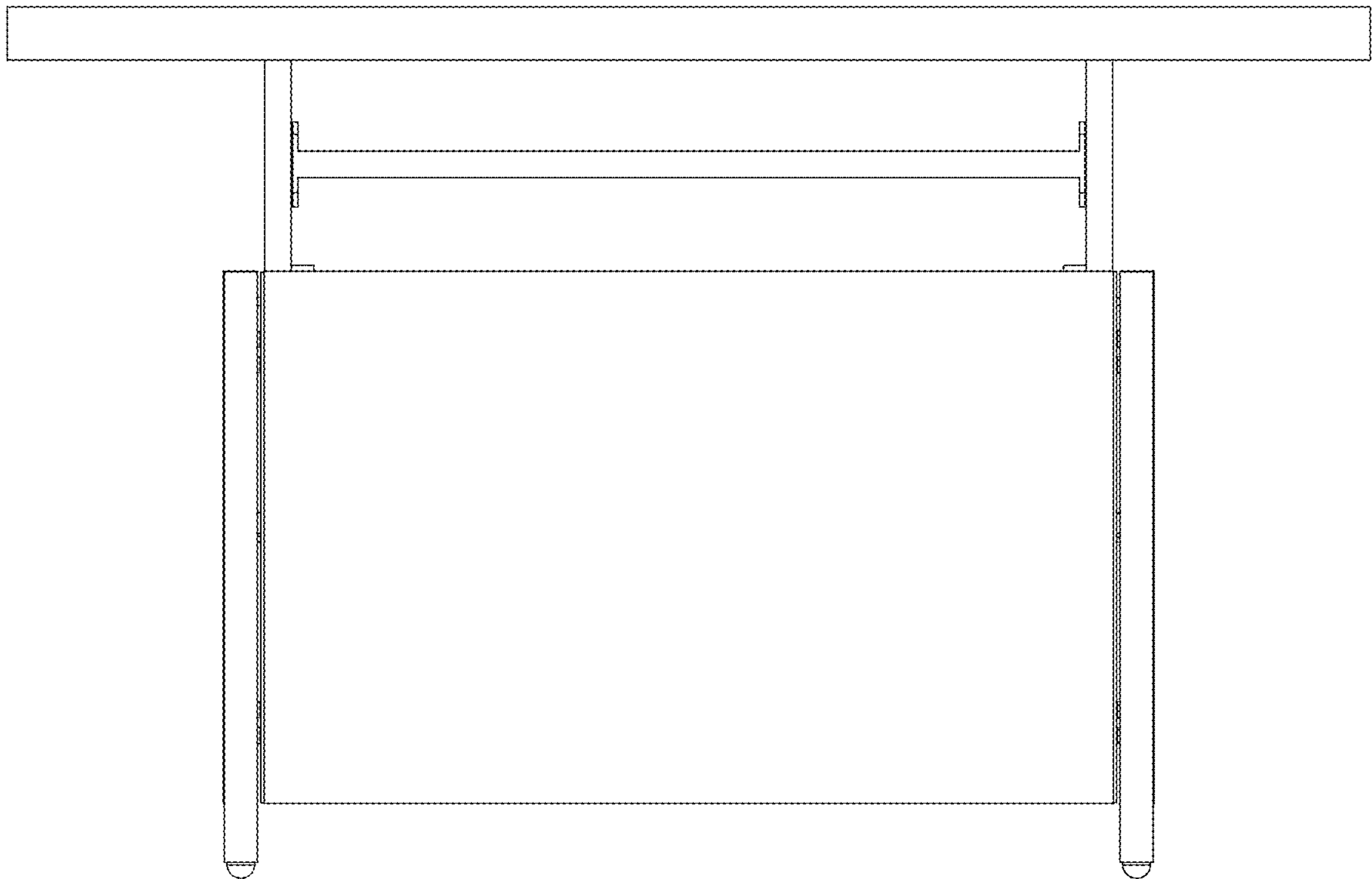


FIG. 3

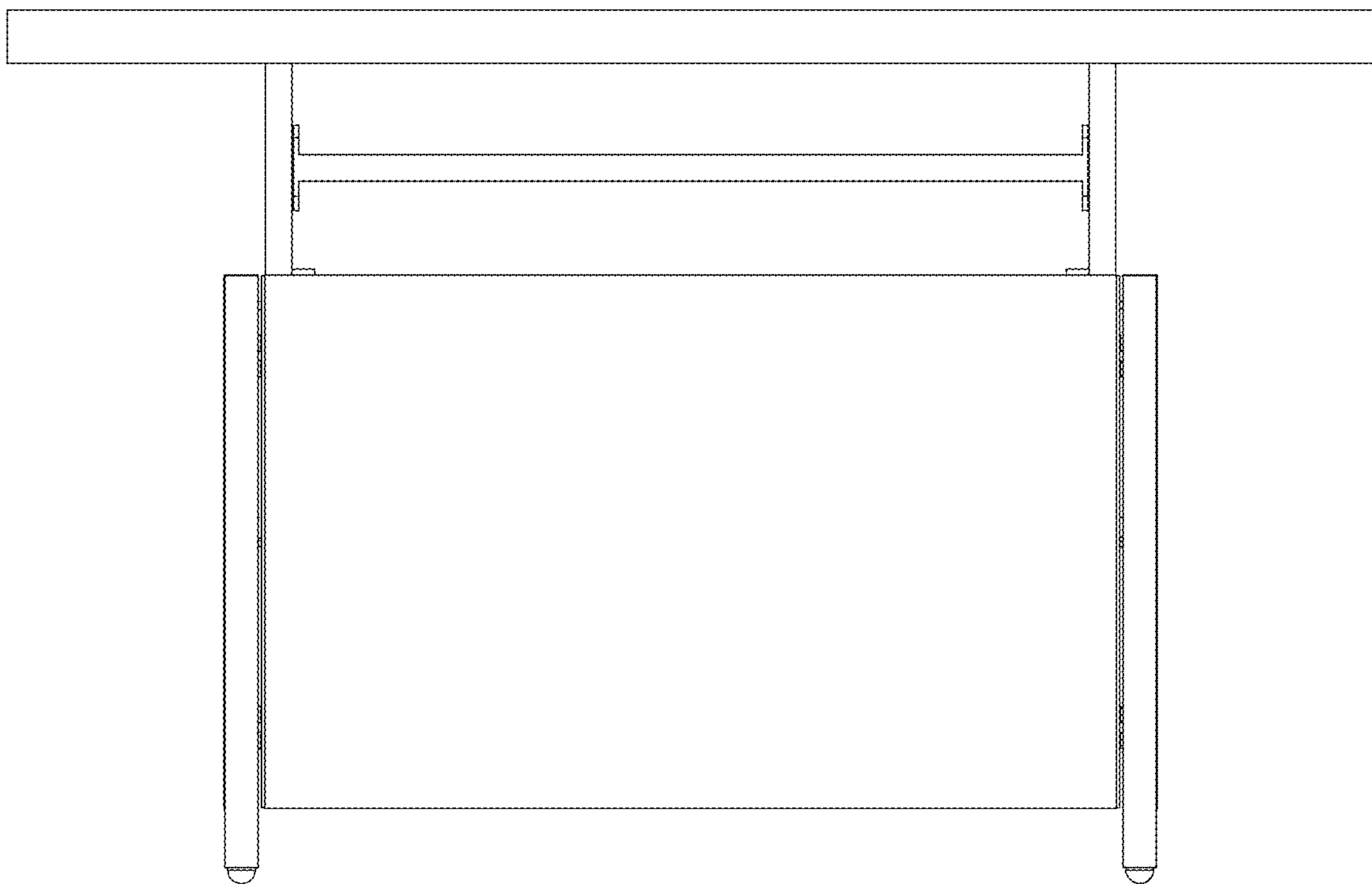


FIG. 4

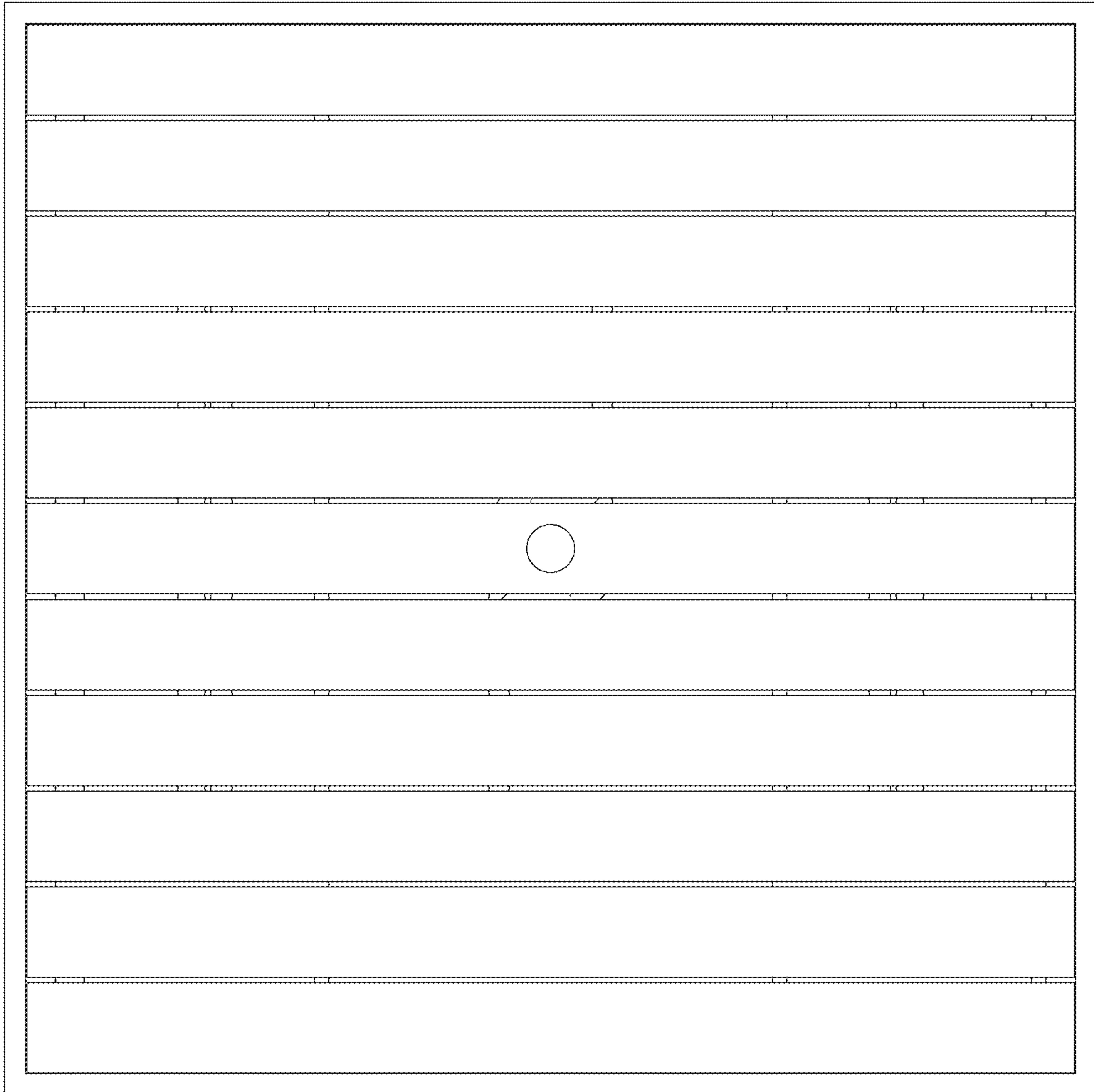


FIG. 5

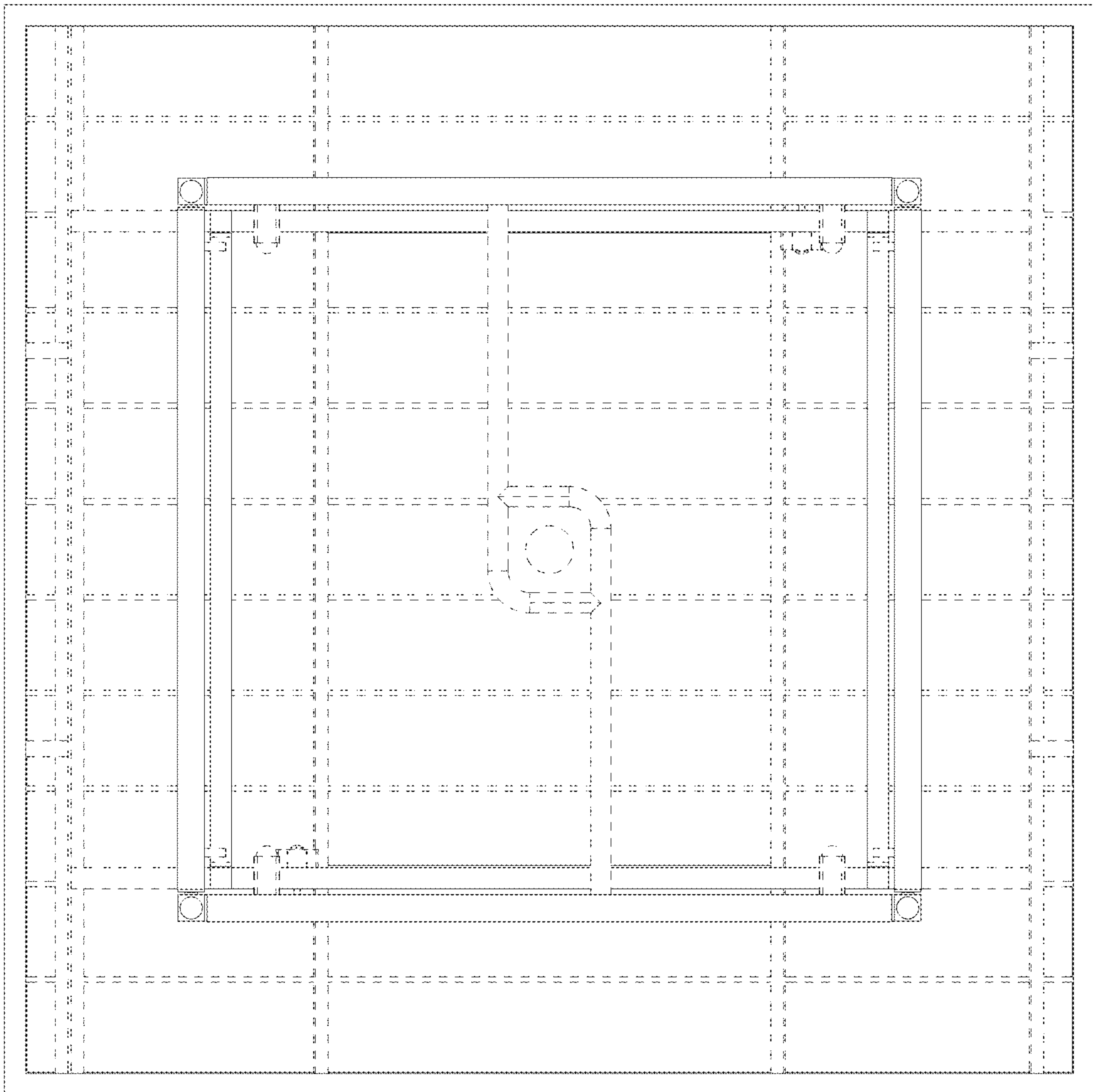


FIG. 6

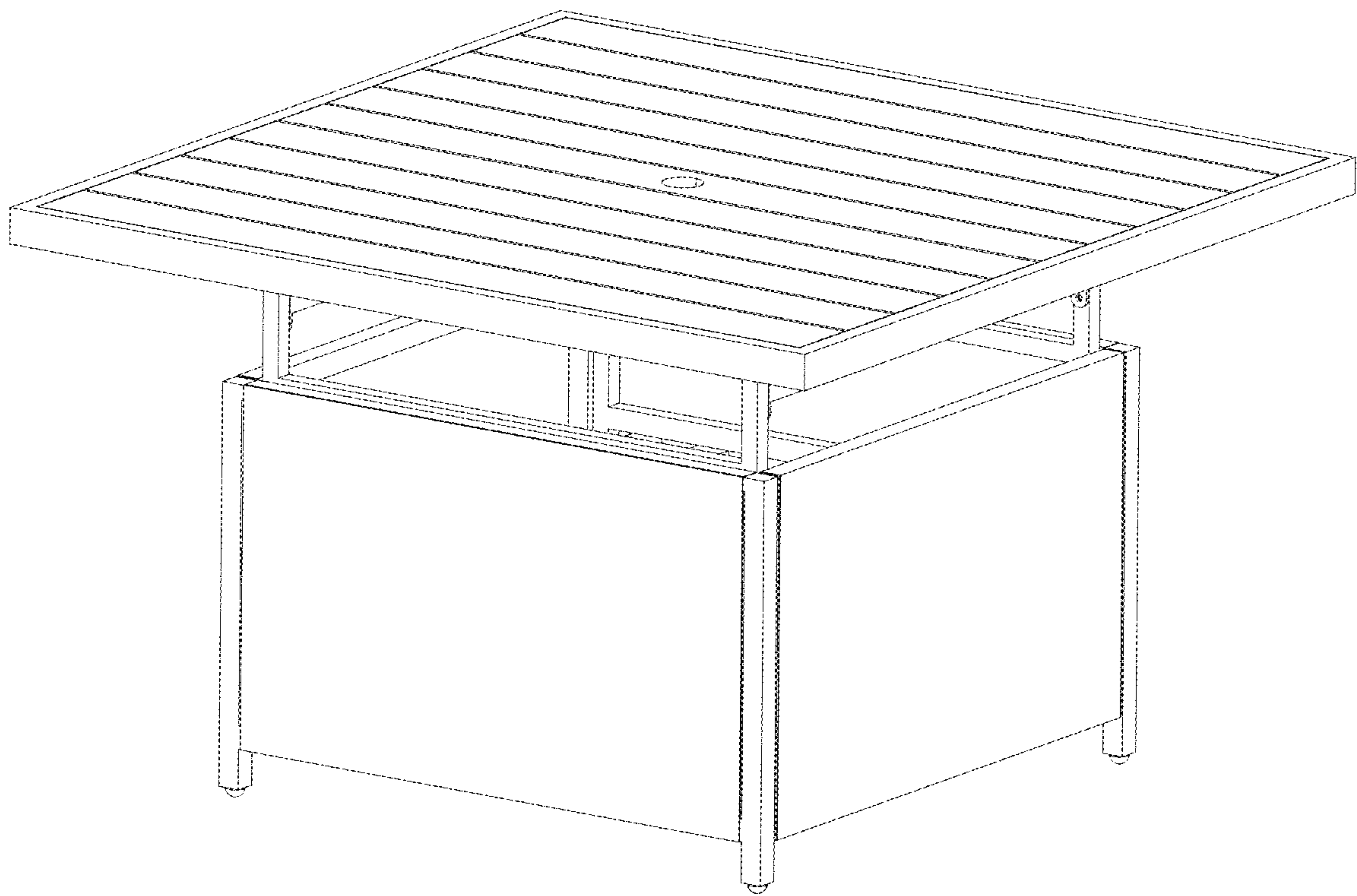


FIG. 7