



US00D955789S

(12) **United States Design Patent** (10) **Patent No.:** **US D955,789 S**
Brugger et al. (45) **Date of Patent:** **** Jun. 28, 2022**

(54) **RETAIL DISPLAY**

(56) **References Cited**

(71) Applicant: **Apple Inc.**, Cupertino, CA (US)

U.S. PATENT DOCUMENTS

(72) Inventors: **Alice Marlin Brugger**, San Francisco, CA (US); **Joshua Robert Edwards**, Santa Cruz, CA (US); **Kameron Gad**, San Francisco, CA (US); **Jean-Marc Gady**, Los Altos, CA (US); **Taylor Hoff**, San Francisco, CA (US); **Seung Chae Kang**, New York, NY (US); **Hyun Jin Kim**, San Francisco, CA (US); **Gabriel J. Lamb**, Burlingame, CA (US); **Martynas Laurita**, San Jose, CA (US); **Gregory Guillaume Lespinard**, San Jose, CA (US); **Jake A. Nelson**, Berkeley, CA (US); **Oladapo Onikuyide**, San Francisco, CA (US); **Constantino Siampos**, Alameda, CA (US); **Indhu V. Solayappan**, Sunnyvale, CA (US); **Stephen Yustiono**, Sunnyvale, CA (US)

D256,197 S *	8/1980	Kates	D6/675.1
D641,988 S *	7/2011	Giroux	D6/675
D753,938 S *	4/2016	DeLaGrange	D6/675.1
D770,203 S	11/2016	Thaler et al.	
D809,319 S	2/2018	Green et al.	
D820,619 S	6/2018	Brugger et al.	
D821,116 S *	6/2018	Hamm	D6/657
D824,894 S	8/2018	Marasco et al.	
D851,428 S *	6/2019	Brugger	D6/675.1
D858,153 S *	9/2019	Finger	D6/678.1
D861,385 S	10/2019	Gorman et al.	
D887,750 S *	6/2020	Edwards	D6/675.1
D906,026 S *	12/2020	Inouye	D6/675.1

(Continued)

Primary Examiner — Kelley A Donnelly
(74) *Attorney, Agent, or Firm* — Sterne, Kessler, Goldstein & Fox P.L.L.C.

(57) **CLAIM**

The ornamental design for a retail display, as shown and described.

DESCRIPTION

(73) Assignee: **Apple Inc.**, Cupertino, CA (US)

(**) Term: **15 Years**

(21) Appl. No.: **29/755,990**

(22) Filed: **Oct. 23, 2020**

(51) **LOC (13) Cl.** **06-06**

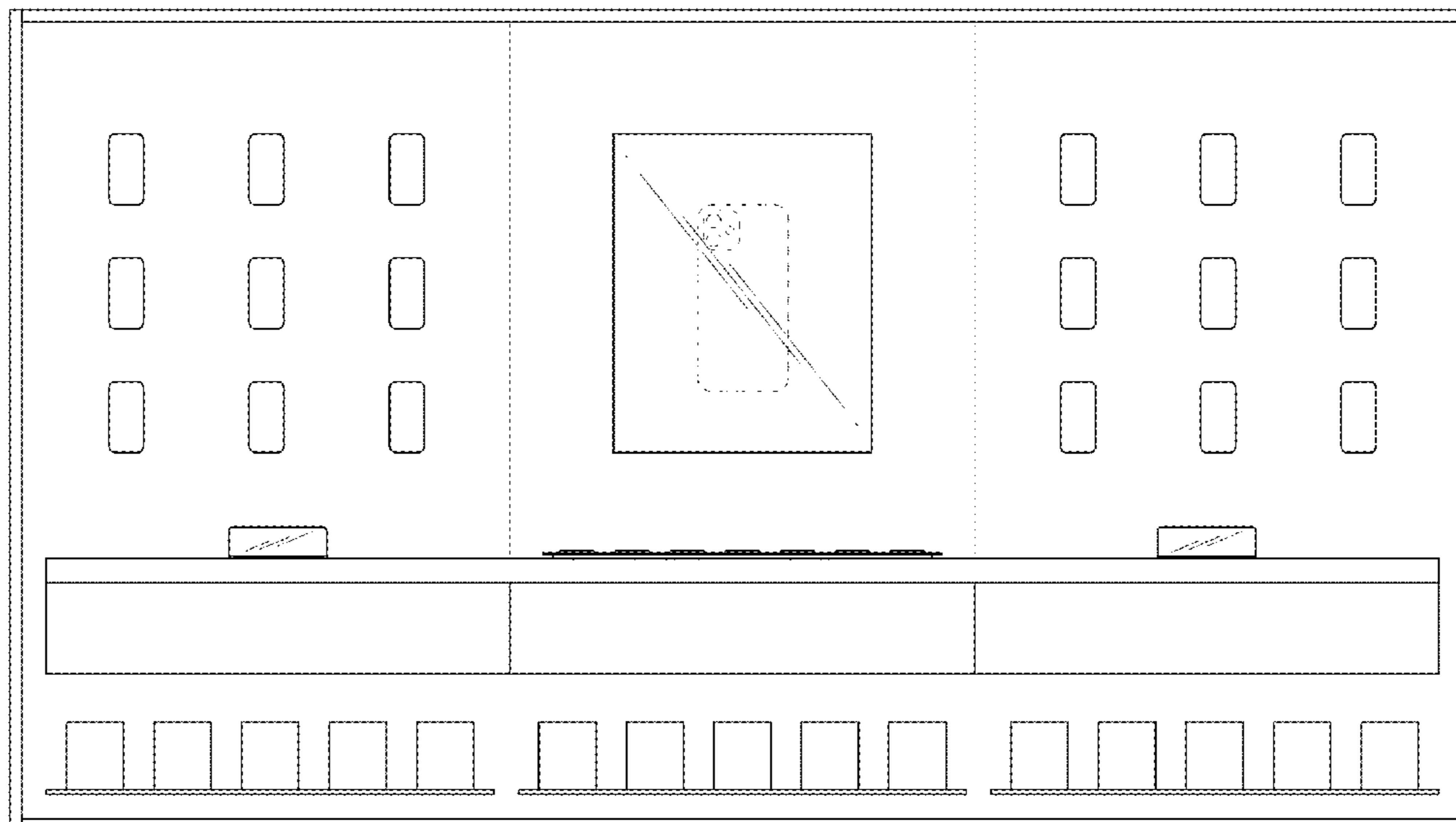
(52) **U.S. Cl.**
USPC **D6/675.1**

(58) **Field of Classification Search**
USPC D6/672, 675, 675.1, 678, 678.1, 682, D6/682.3, 682.4, 683, 683.1
CPC A47B 47/00; A47B 43/00; A47B 57/00; A47F 5/00; A47F 5/0062; A47F 5/0018; A47F 5/0043

See application file for complete search history.

FIG. 1 is a front view of a retail display showing the claimed design;
FIG. 2 is a top front perspective view thereof;
FIG. 3 is a bottom front perspective view thereof;
FIG. 4 is a front view of a retail display showing the claimed design;
FIG. 5 is a top front perspective view thereof;
FIG. 6 is a bottom front perspective view thereof;
FIG. 7 is a front view of a retail display showing the claimed design;
FIG. 8 is a top front perspective view thereof; and,
FIG. 9 is a bottom front perspective view thereof.
The broken lines in the figures show portions of the retail display or environment that form no part of the claimed design.

1 Claim, 9 Drawing Sheets



(56)

References Cited

U.S. PATENT DOCUMENTS

D917,936 S	*	5/2021	Brugger	D6/675
D921,403 S	*	6/2021	Finger	D6/678.1
D937,613 S	*	12/2021	Brugger	D6/675
D938,202 S	*	12/2021	Brugger	D6/675
D944,319 S	*	2/2022	Yanagisawa	D25/1
D944,573 S	*	3/2022	Gady	D6/672

* cited by examiner

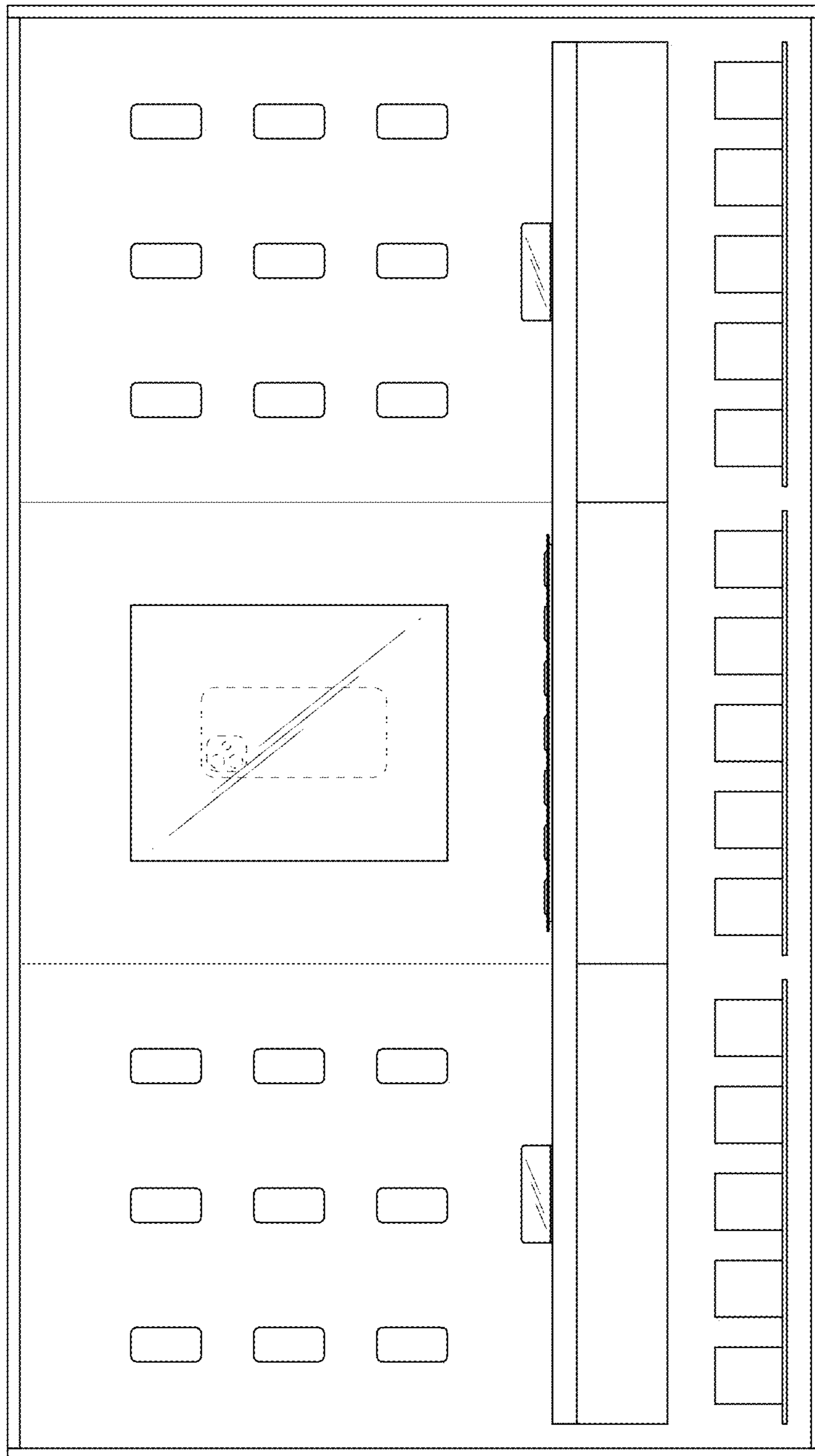


FIG. 1

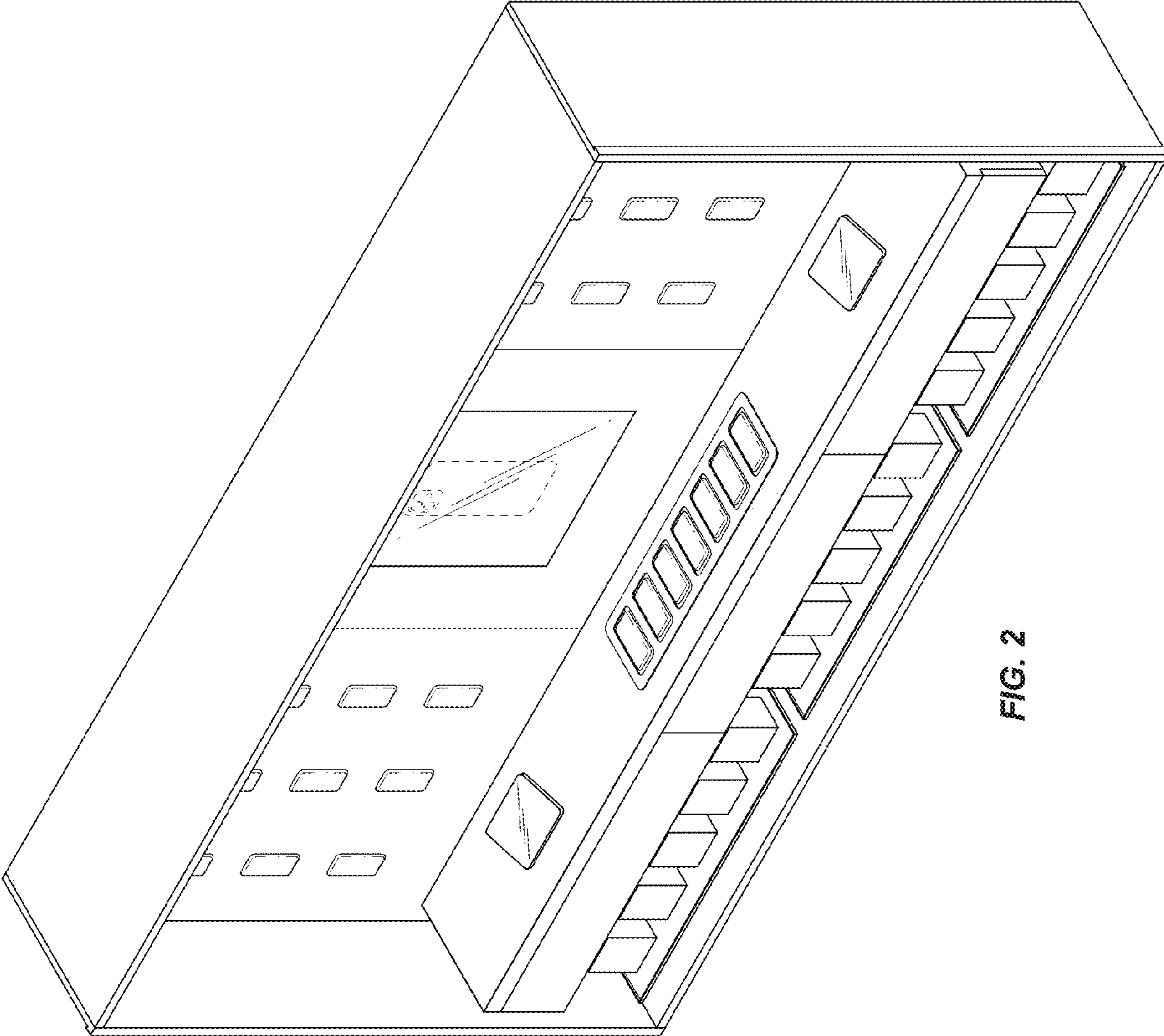


FIG. 2

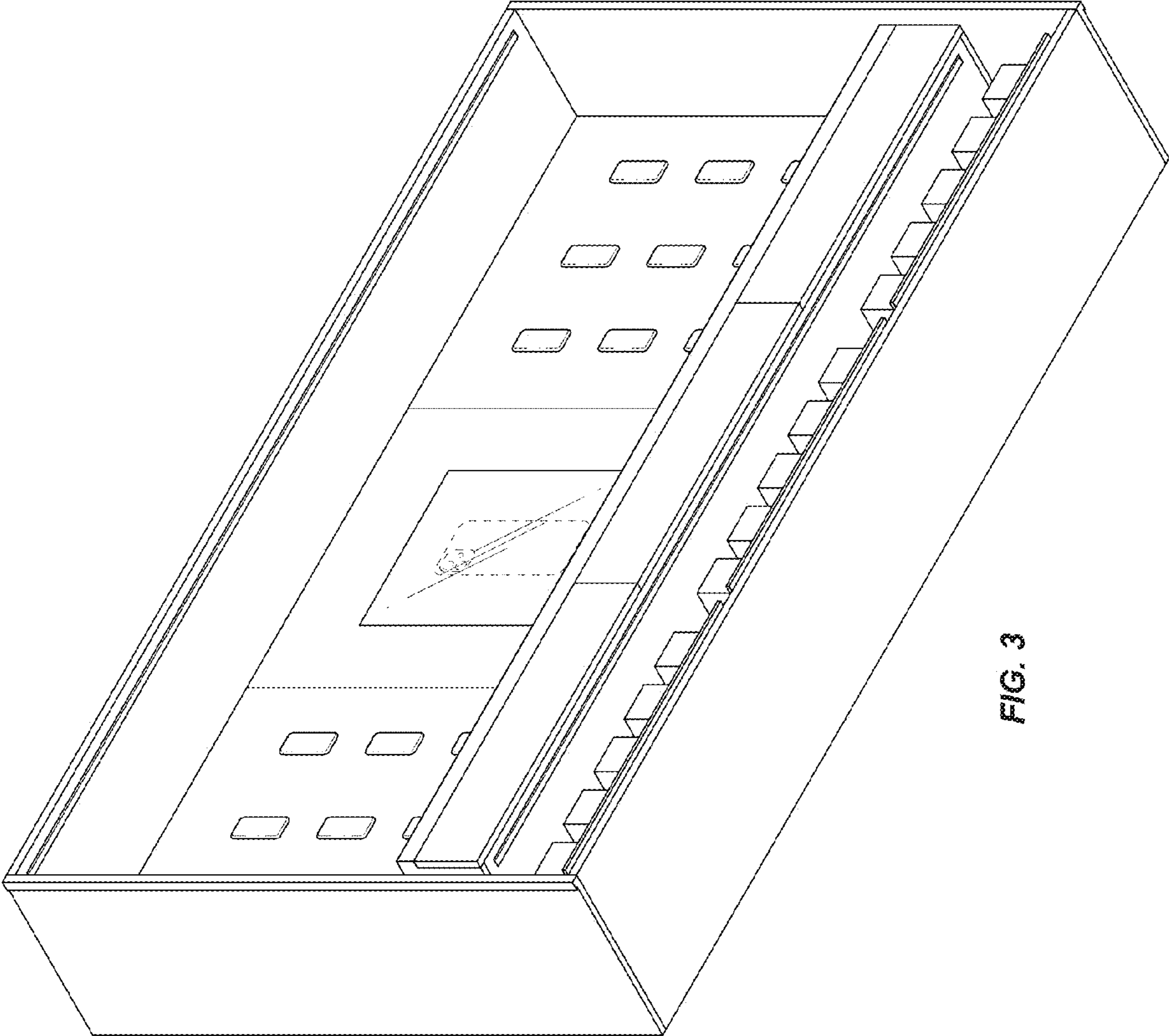


FIG. 3

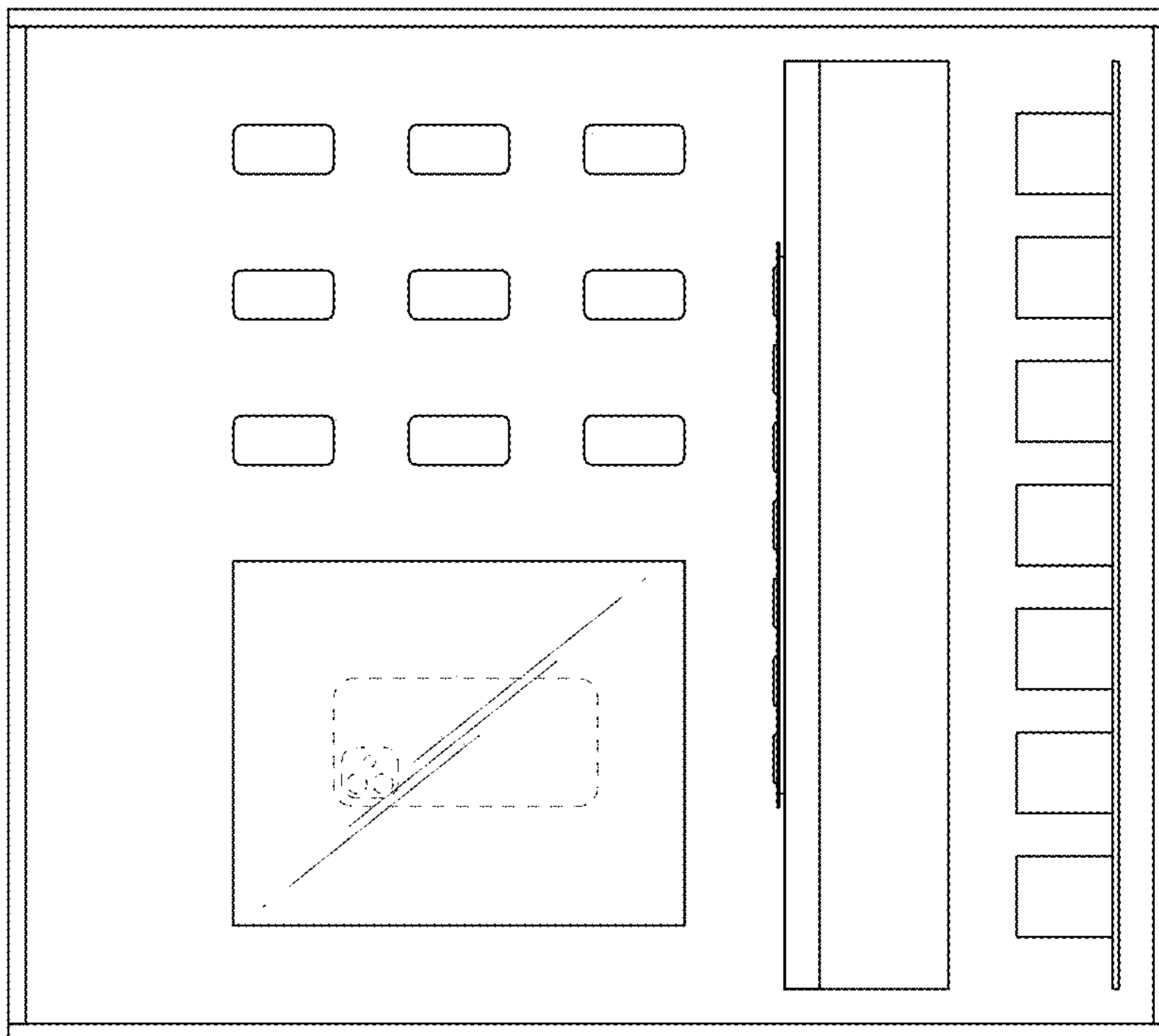


FIG. 4

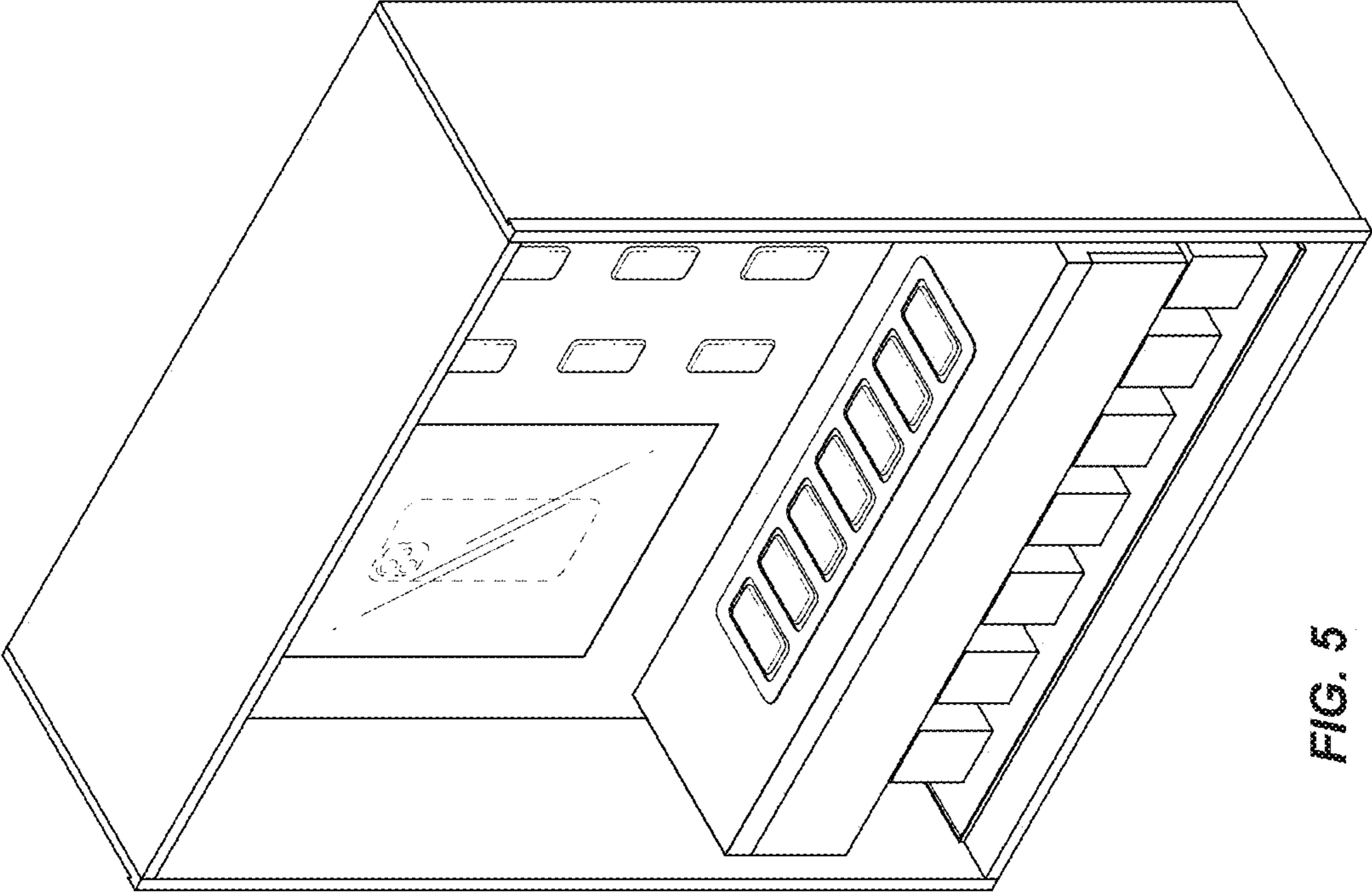


FIG. 5

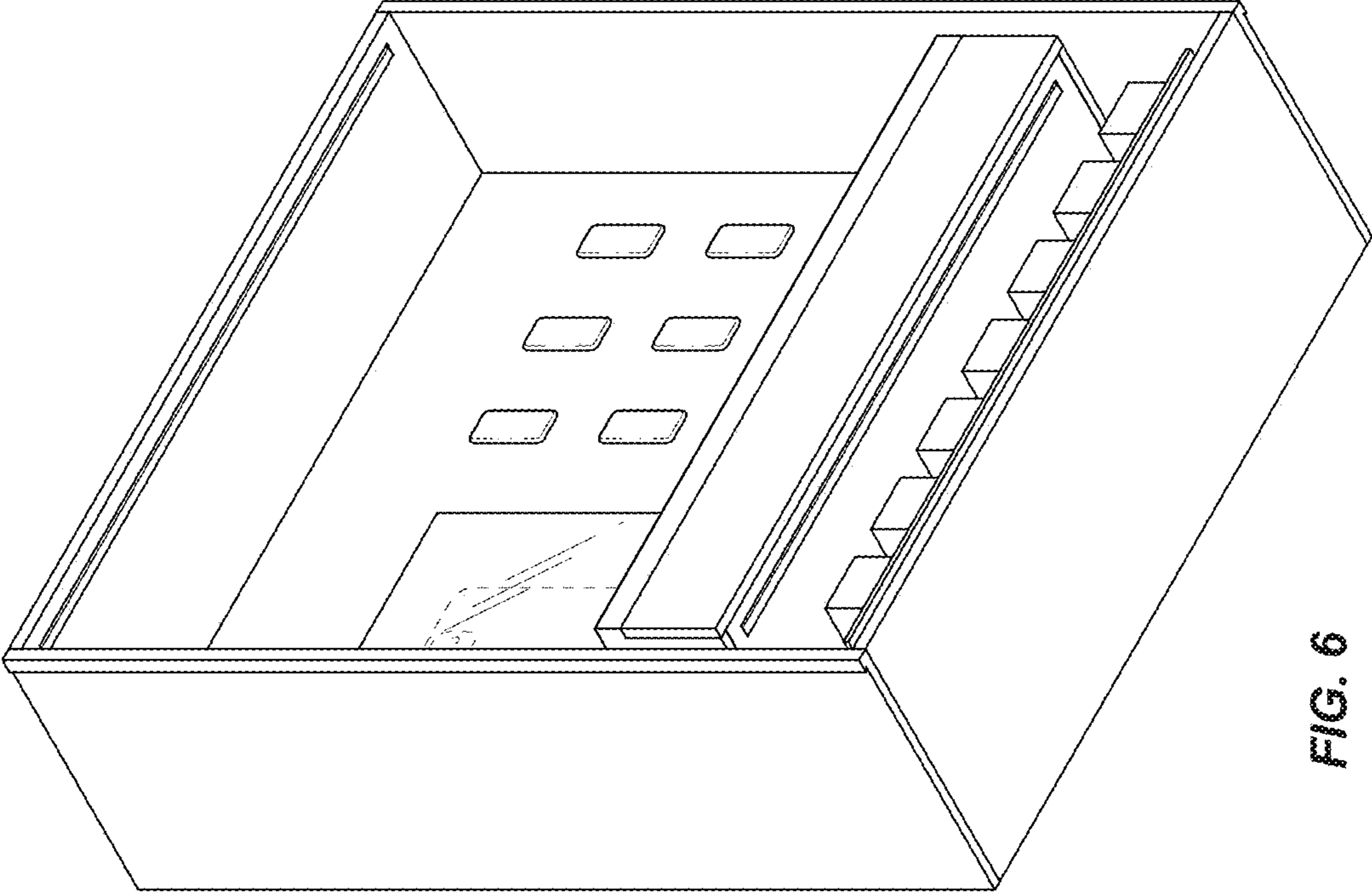


FIG. 6

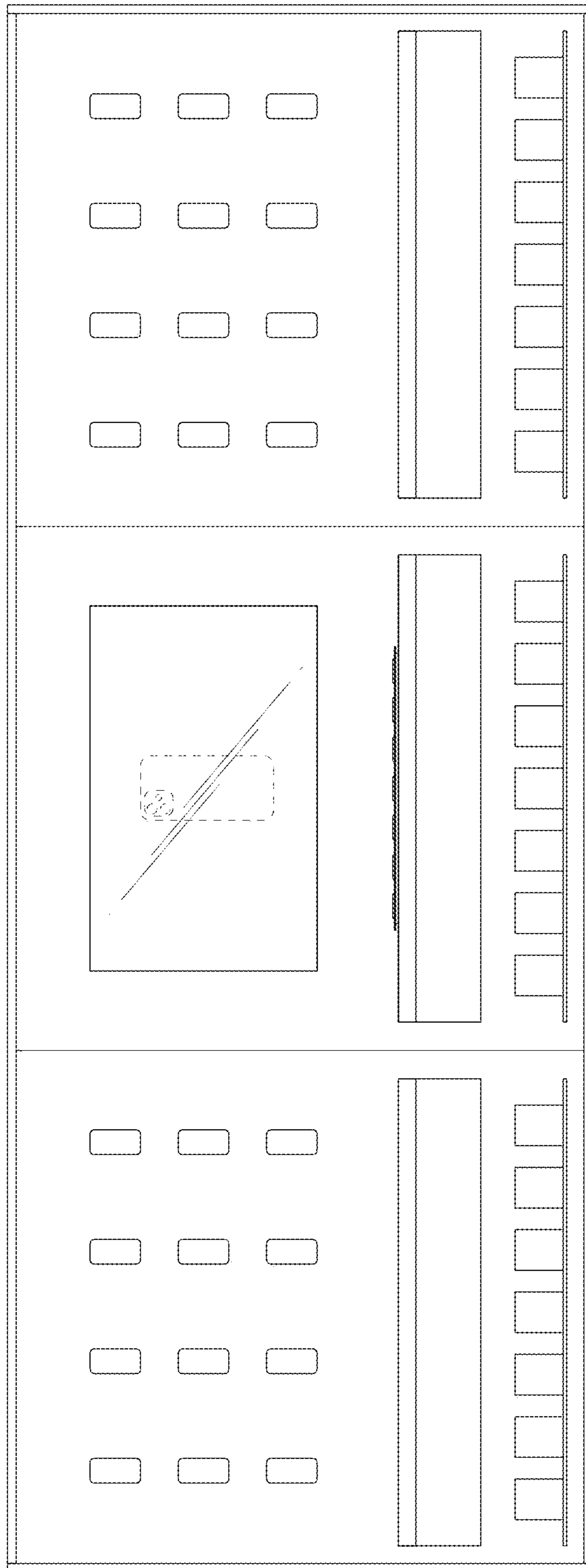


FIG. 7

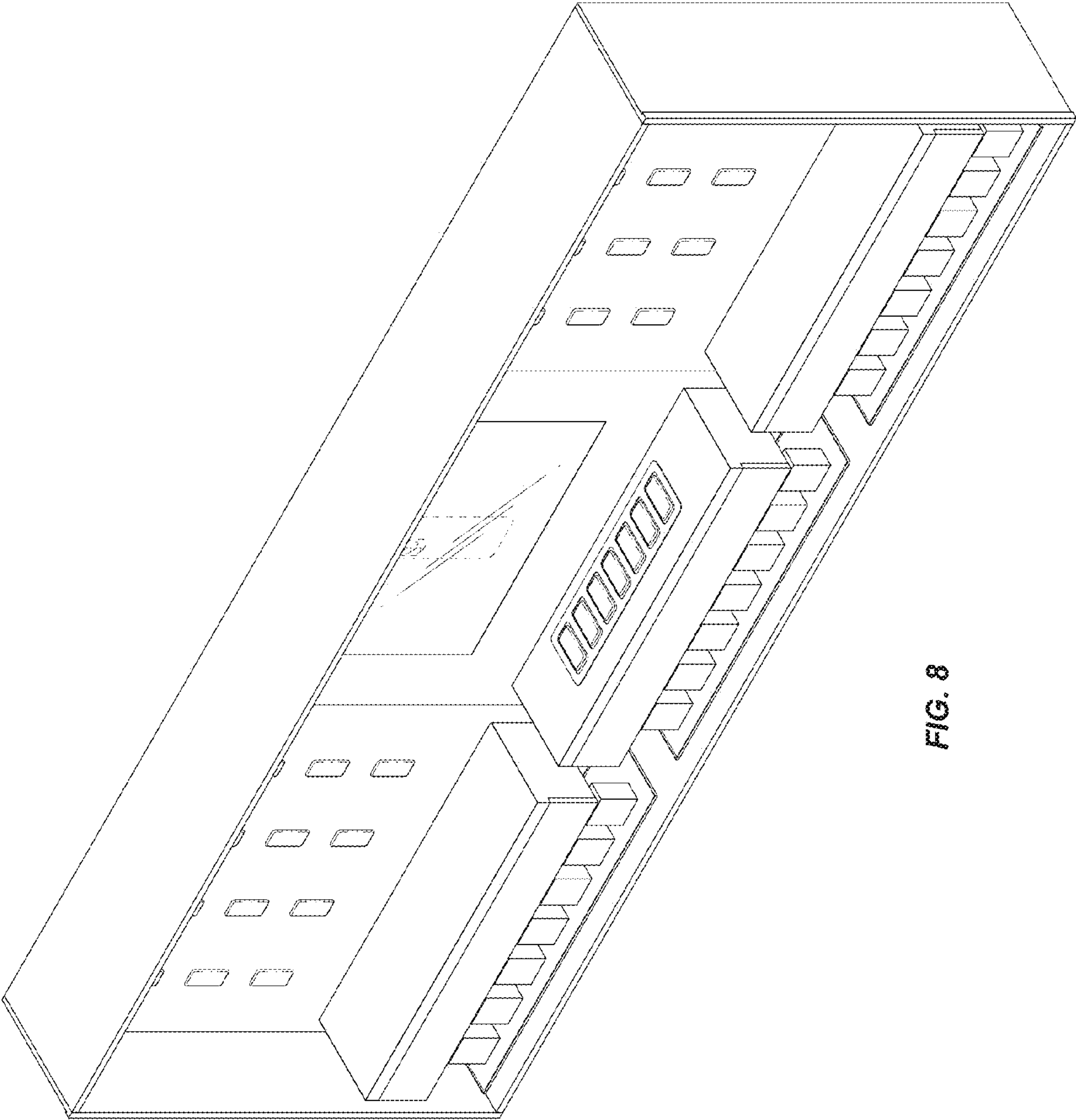


FIG. 8

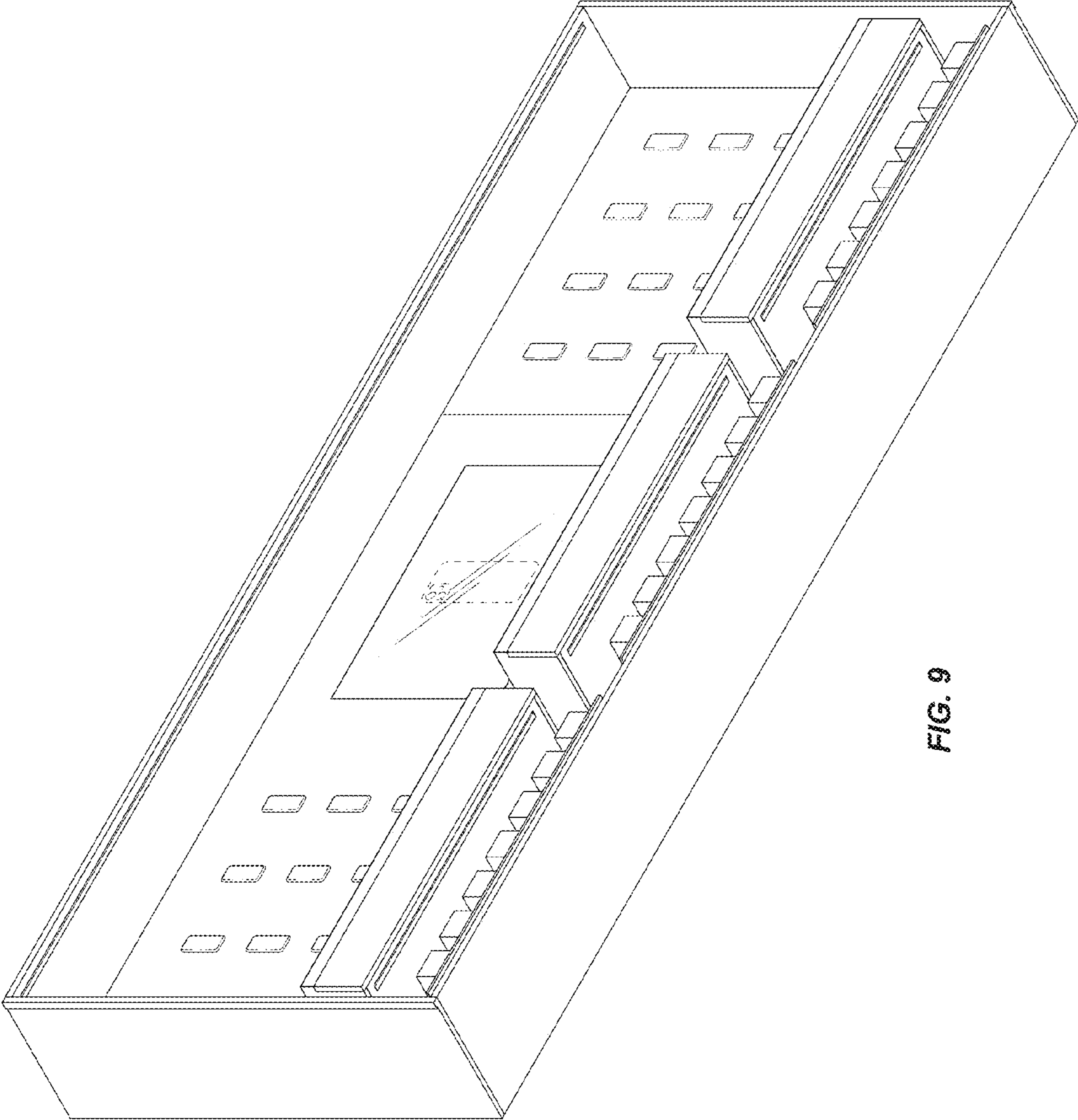


FIG. 9

UNITED STATES PATENT AND TRADEMARK OFFICE
CERTIFICATE OF CORRECTION

PATENT NO. : D955,789 S
APPLICATION NO. : 29/755990
DATED : June 28, 2022
INVENTOR(S) : Brugger et al.

Page 1 of 1

It is certified that error appears in the above-identified patent and that said Letters Patent is hereby corrected as shown below:

On the Title Page

Item (72), in the inventors section, replace the listing of inventors with the following:

Alice Marlin BRUGGER, San Francisco, CA (US)

Joshua Robert EDWARDS, Santa Cruz, CA (US)

Jean-Marc GADY, Los Altos, CA (US)

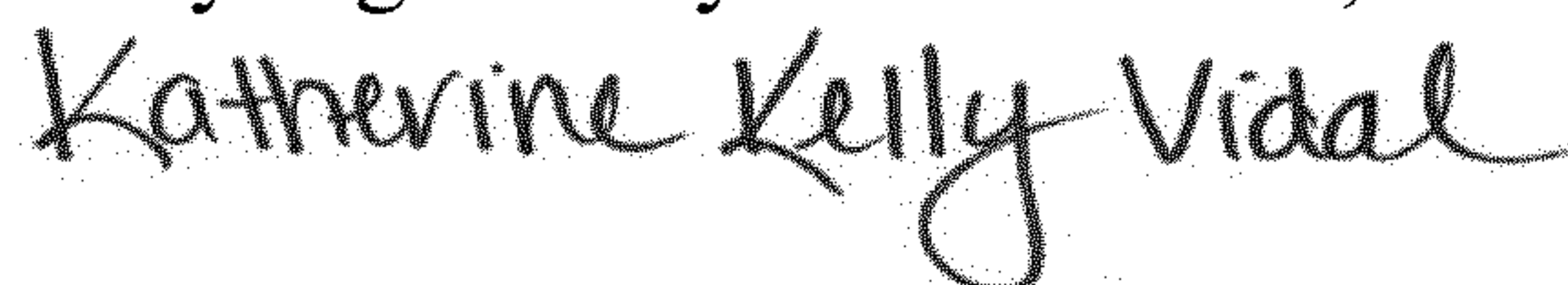
Taylor HOFF, San Francisco, CA (US)

Seung Chae KANG, New York, NY (US)

Gabriel J. LAMB, Burlingame, CA (US)

Indhu V. SOLAYAPPAN, Sunnyvale, CA (US)

Signed and Sealed this
Twenty-eighth Day of November, 2023



Katherine Kelly Vidal
Director of the United States Patent and Trademark Office