



US00D955788S

(12) **United States Design Patent**  
**Zhu**

(10) **Patent No.:** **US D955,788 S**  
(45) **Date of Patent:** **\*\* Jun. 28, 2022**

- (54) **DRESSING TABLE**
- (71) Applicant: **Xiahong Zhu**, Anshun (CN)
- (72) Inventor: **Xiahong Zhu**, Anshun (CN)
- (\*\*) Term: **15 Years**
- (21) Appl. No.: **29/804,697**
- (22) Filed: **Aug. 23, 2021**
- (51) **LOC (13) Cl.** ..... **06-04**
- (52) **U.S. Cl.**  
USPC ..... **D6/664.1**
- (58) **Field of Classification Search**  
USPC ..... D6/300, 309, 657, 663, 664.1, 668,  
D6/668.1, 668.2, 671, 671.1, 671.2,  
D6/671.3, 671.4  
CPC ..... A47B 17/04; A47B 67/00; A47B 67/005;  
A47B 67/04; A47B 88/00; A47B 88/40;  
A47B 43/00; A47B 46/00; A47B 47/00;  
A47B 47/022; A47B 47/04; A47B 55/00;  
F21V 33/00; A45D 42/10  
See application file for complete search history.

- D655,943 S 3/2012 Schmitt
- D663,548 S 7/2012 Domack
- D664,375 S 7/2012 Pamudji
- D668,887 S 10/2012 Schmitt
- D724,868 S 3/2015 Liu
- D923,366 S 6/2021 Huang
- D935,808 S \* 11/2021 Yu ..... D6/664.1
- D936,395 S \* 11/2021 Yu ..... D6/664.1

\* cited by examiner

*Primary Examiner* — Mimoso De  
(74) *Attorney, Agent, or Firm* — Runit R. Kanakia

(57) **CLAIM**

The ornamental design for a dressing table, as shown and described.

**DESCRIPTION**

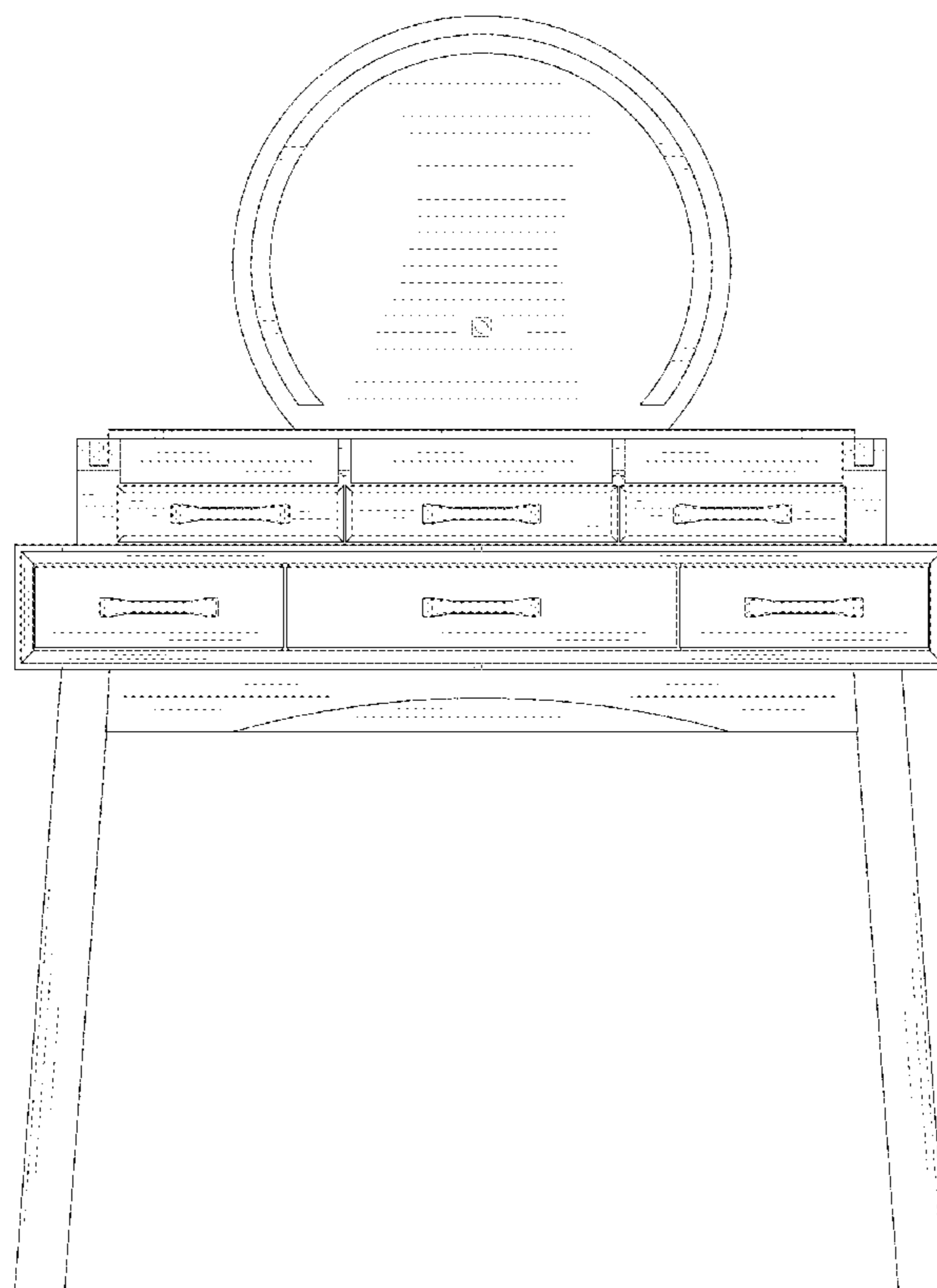
FIG. 1 is a front elevational view of a dressing table showing my new design;  
 FIG. 2 is a rear elevational view thereof; and  
 FIG. 3 is a left elevational view thereof;  
 FIG. 4 is a right side view thereof;  
 FIG. 5 is a top side view thereof;  
 FIG. 6 is a bottom plan view thereof;  
 FIG. 7 is a perspective view of a dressing table showing my new design; and,  
 FIG. 8 is another perspective view thereof.  
 The broken lines in the figures are for the purposes of illustrating portions of the dressing table, which form no part of the claimed design.

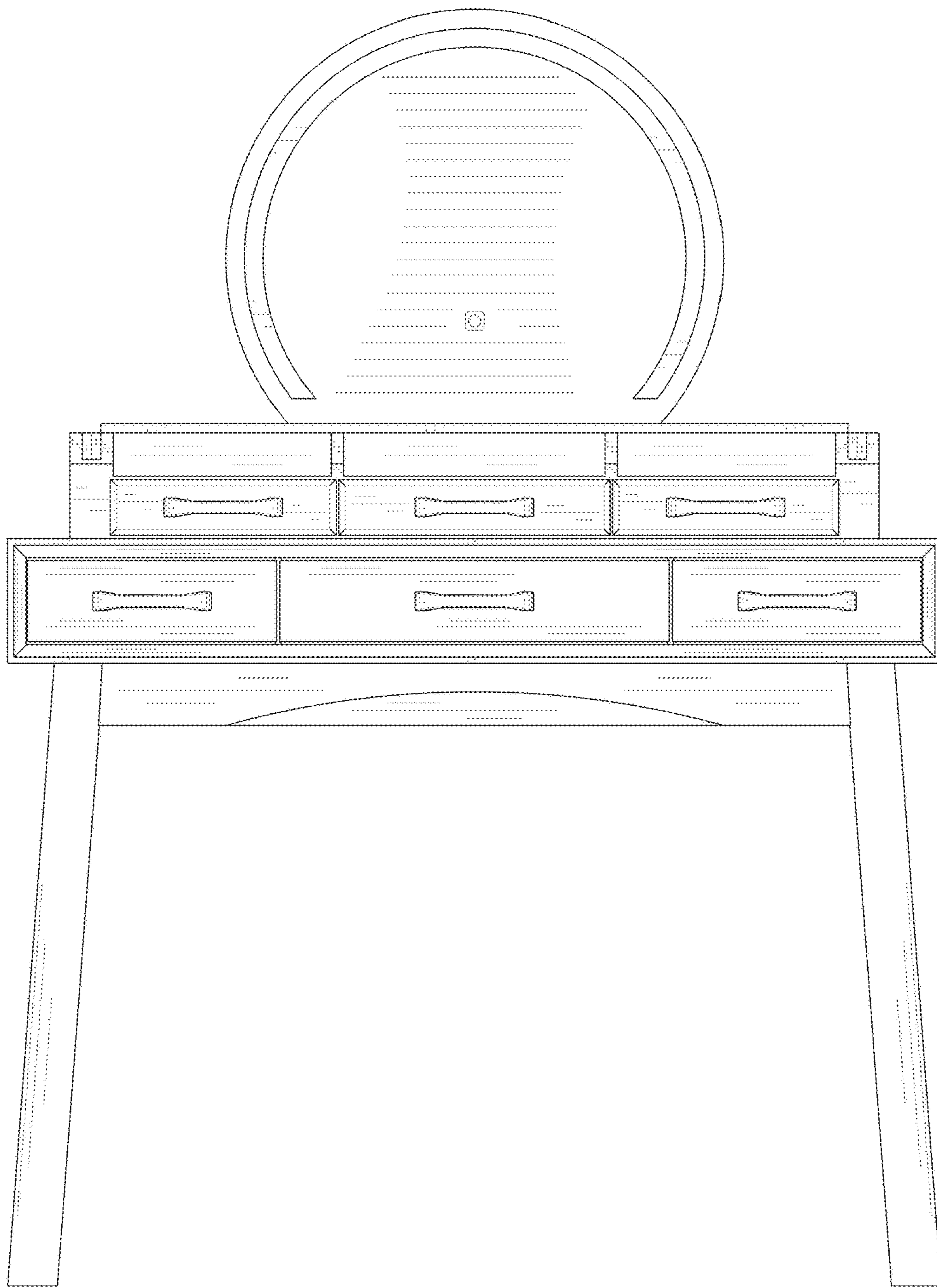
**1 Claim, 8 Drawing Sheets**

(56) **References Cited**

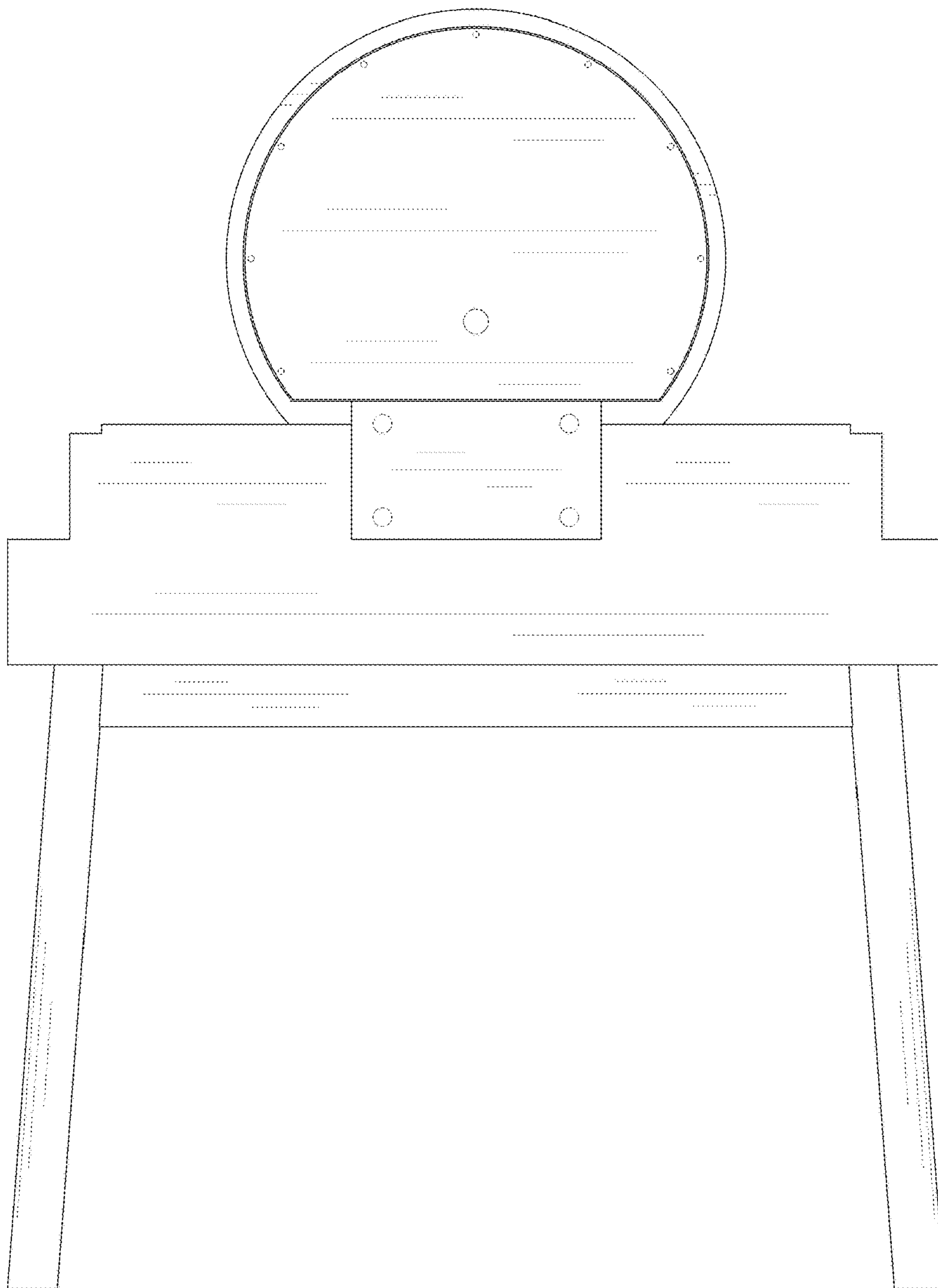
U.S. PATENT DOCUMENTS

- D303,593 S \* 9/1989 Keller ..... D6/664.1
- D455,913 S 4/2002 Shamie
- D586,581 S 2/2009 Schmitt
- D603,622 S 11/2009 Schmitt
- D604,960 S 12/2009 Garbin

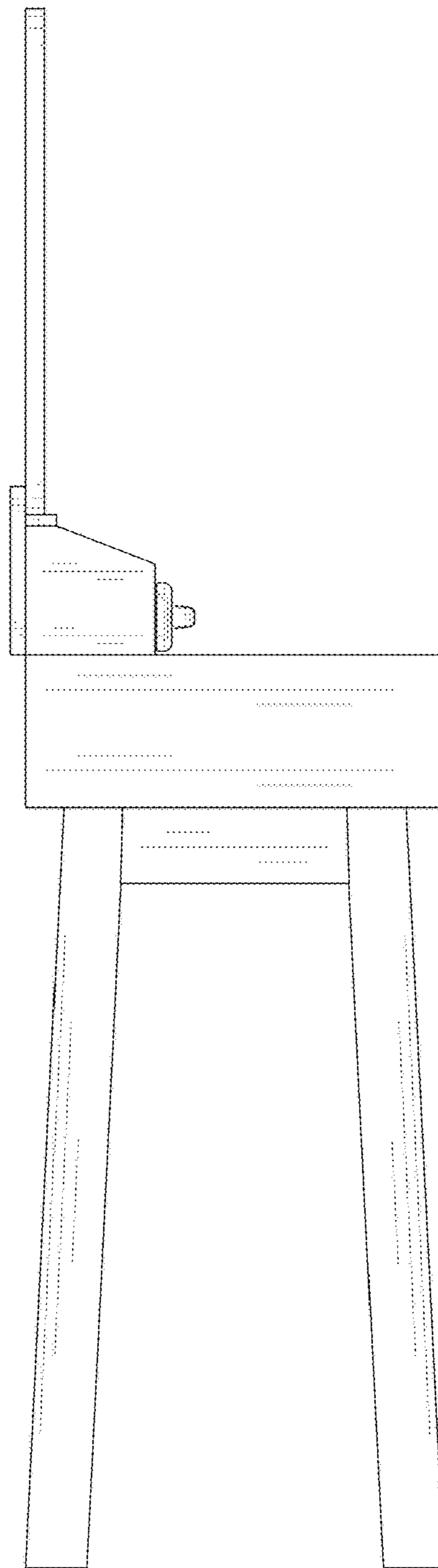




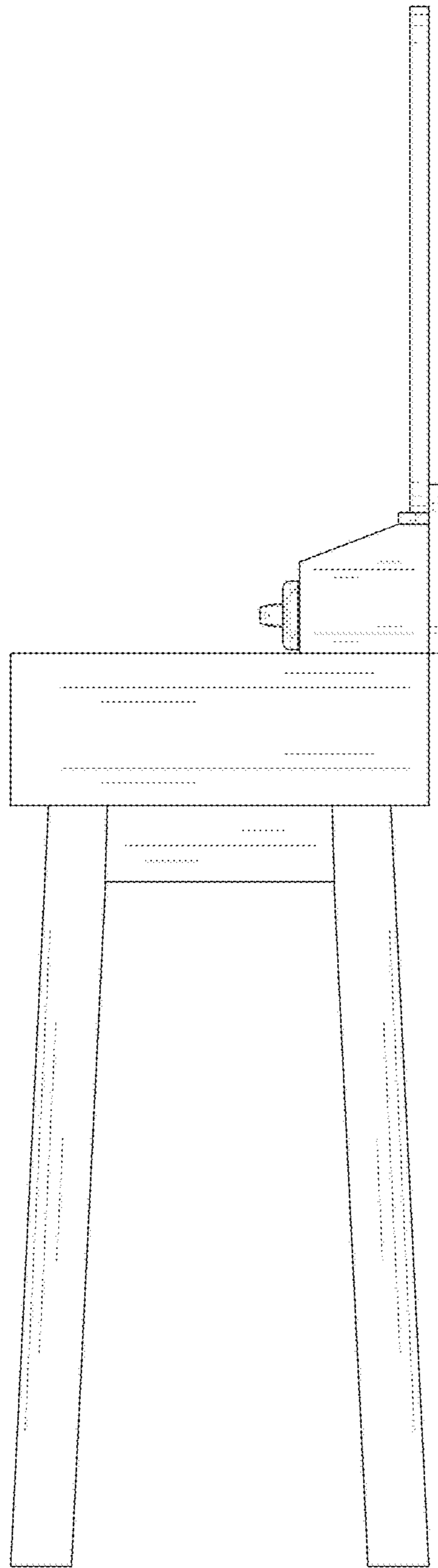
**FIG. 1**



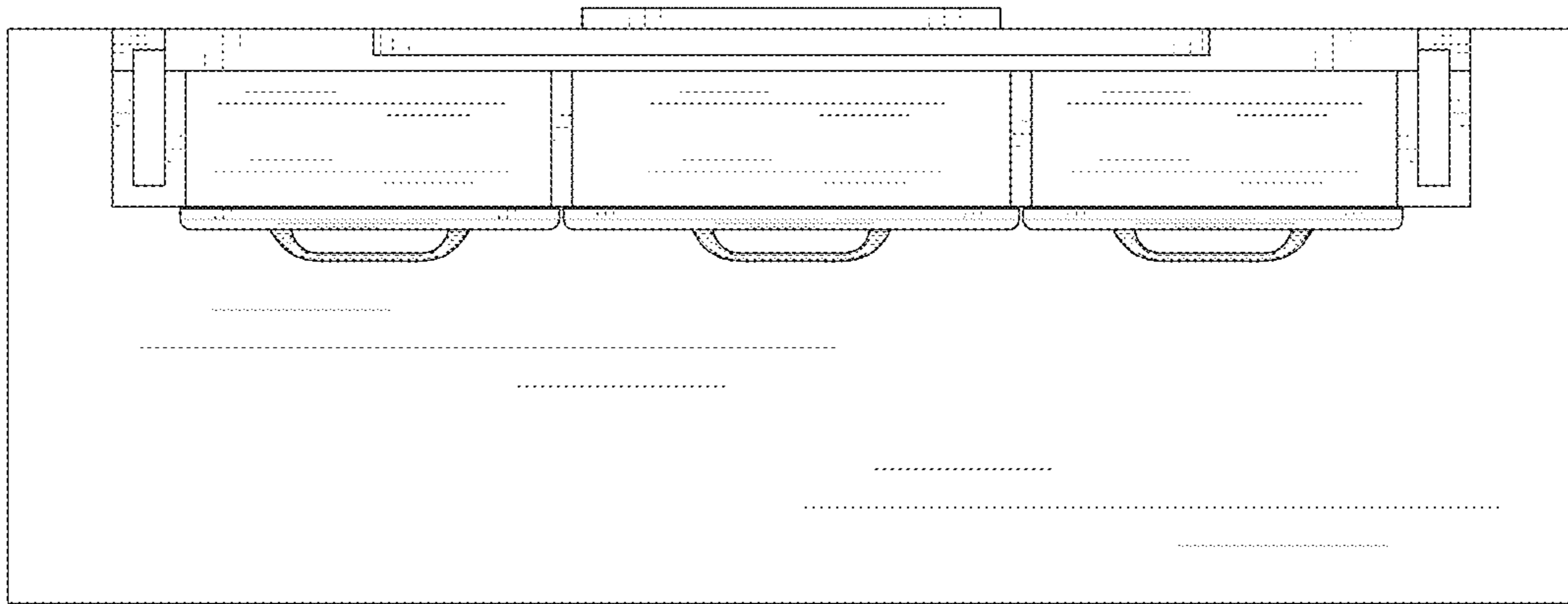
**FIG. 2**



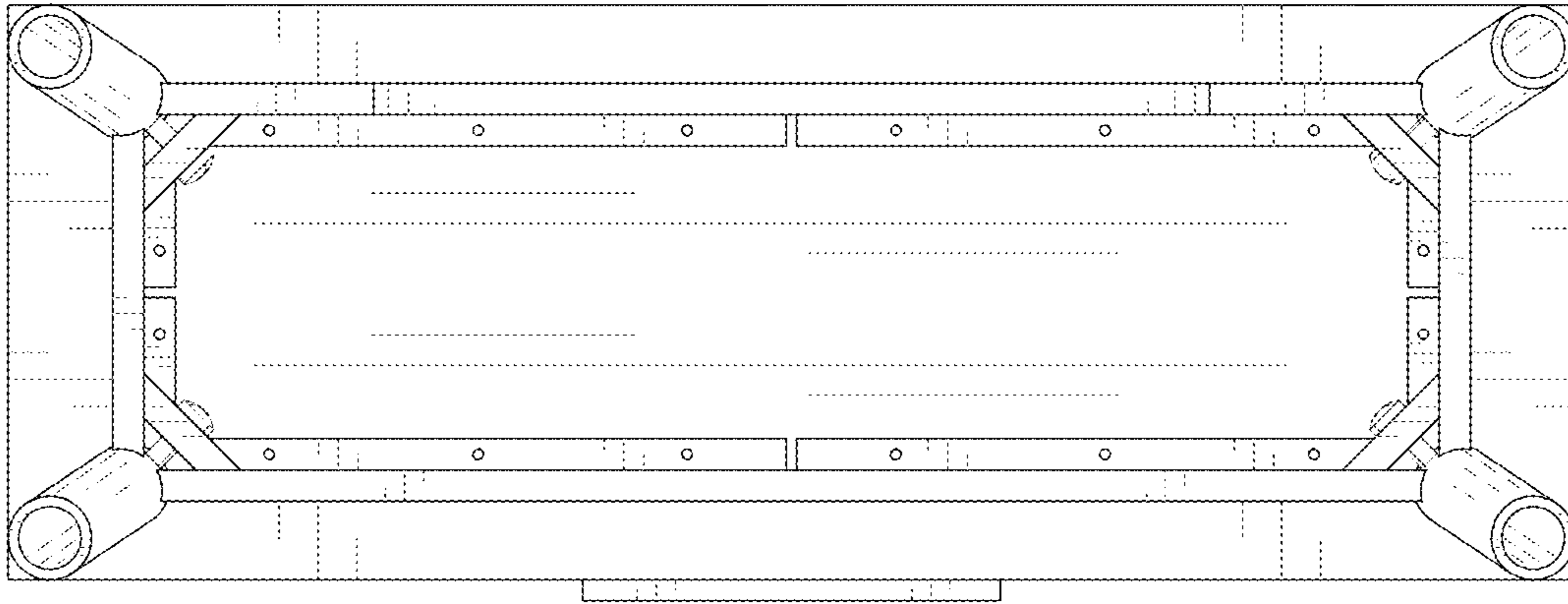
**FIG. 3**



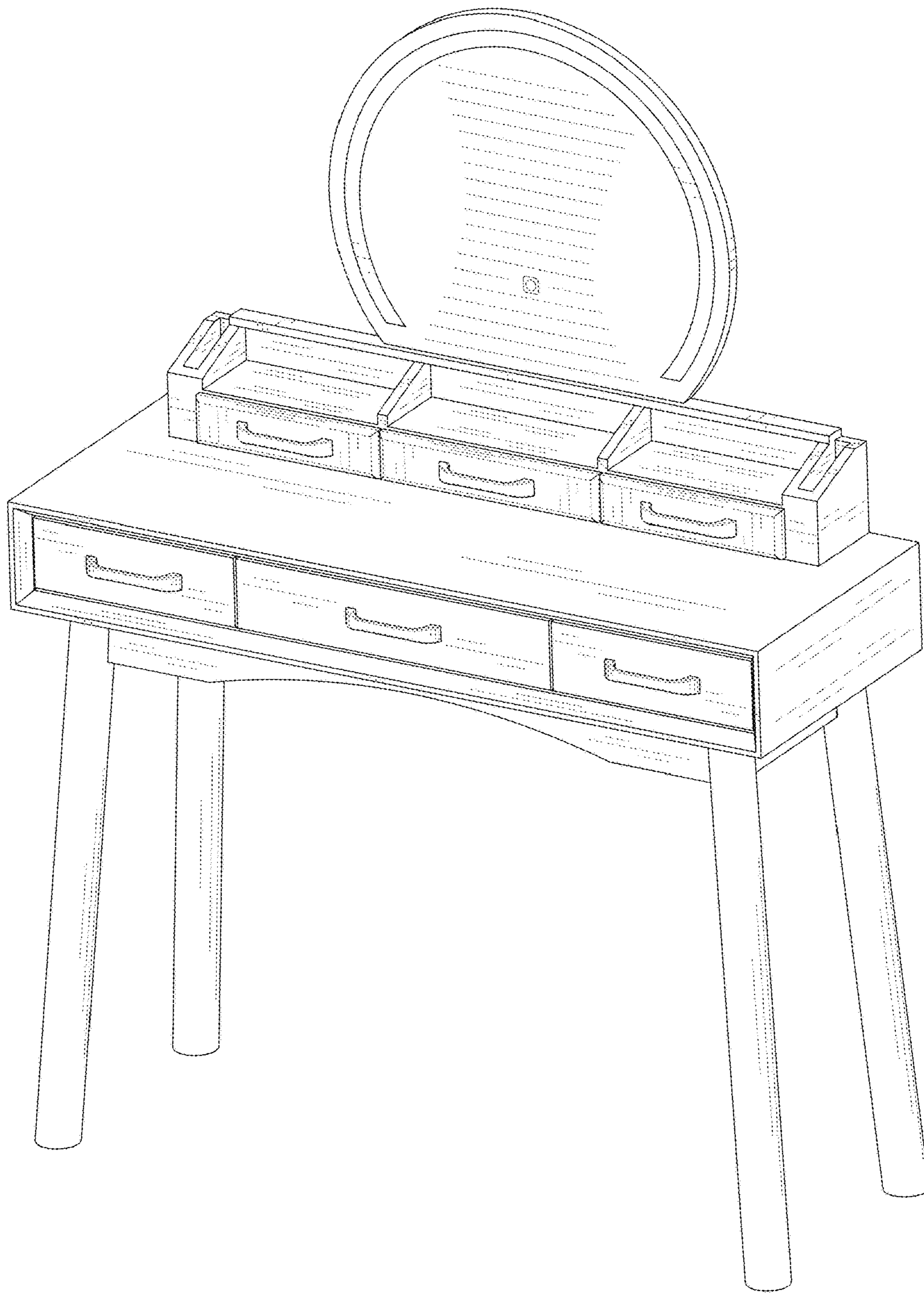
**FIG. 4**



**FIG. 5**

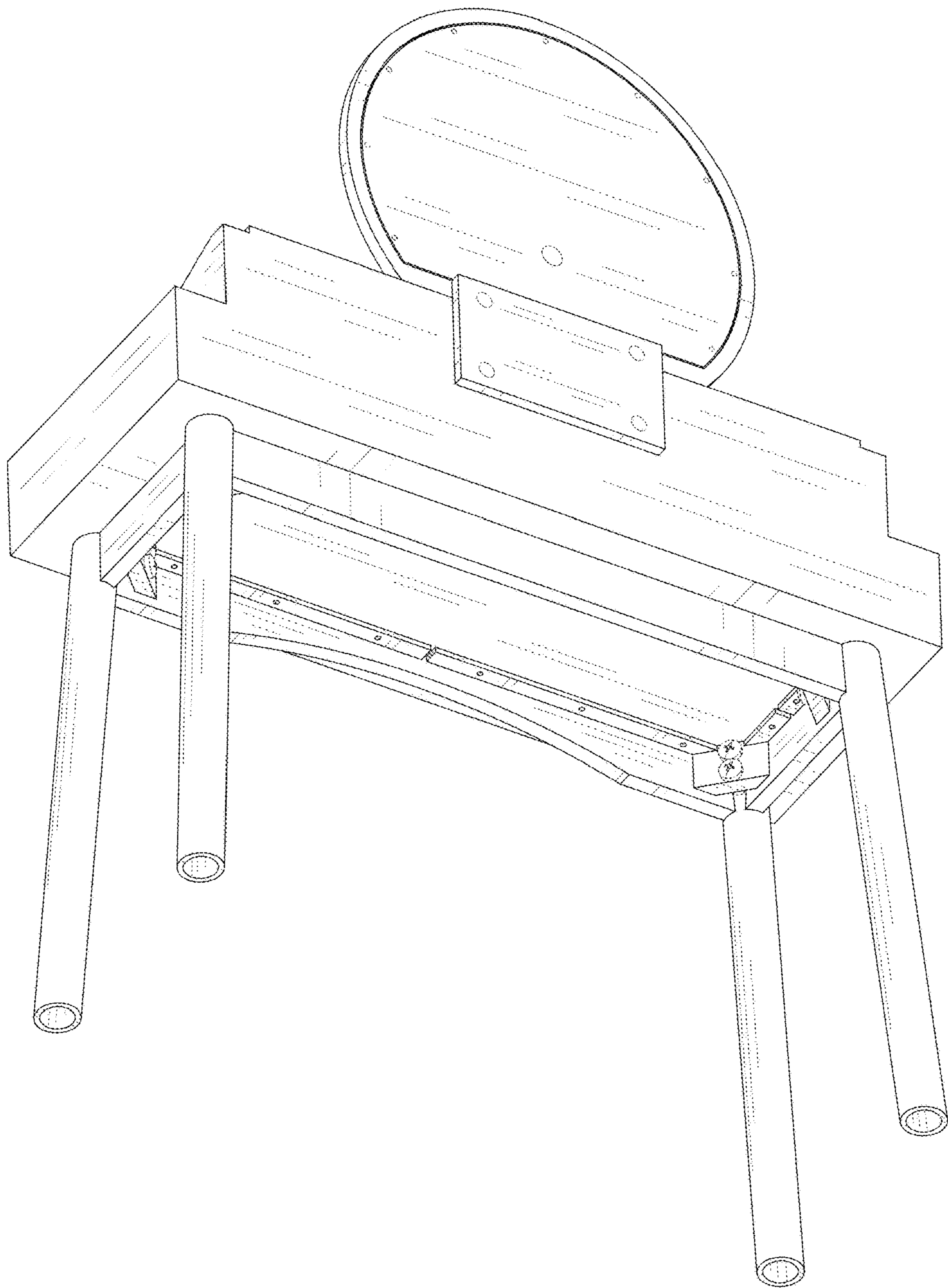


**FIG. 6**



**FIG. 7**





**FIG. 8**