



US00D955787S

(12) **United States Design Patent** (10) **Patent No.:** **US D955,787 S**  
**Schwalbach et al.** (45) **Date of Patent:** **\*\* Jun. 28, 2022**

(54) **TABLE**

(71) Applicant: **Apple Inc.**, Cupertino, CA (US)  
(72) Inventors: **Charles A. Schwalbach**, Menlo Park, CA (US); **David Samuel Kumka**, San Francisco, CA (US); **Russell John Kaaihue Heirakuji**, Cupertino, CA (US); **Carly Lynn Marasco**, Los Gatos, CA (US); **Frank Craig Thaler**, Santa Cruz, CA (US)

(73) Assignee: **Apple Inc.**, Cupertino, CA (US)

(\*\*) Term: **15 Years**

(21) Appl. No.: **29/810,847**

(22) Filed: **Oct. 8, 2021**

**Related U.S. Application Data**

(63) Continuation of application No. 29/774,970, filed on Mar. 19, 2021, now Pat. No. Des. 932,820, which is a continuation of application No. 29/670,426, filed on Nov. 15, 2018, now Pat. No. Des. 913,737, which is a continuation of application No. 29/618,445, filed on Sep. 21, 2017, now Pat. No. Des. 833,789, which is a continuation of application No. 29/586,953, filed on Dec. 8, 2016, now Pat. No. Des. 799,250, which is a continuation of application No. 29/516,911, filed on Feb. 6, 2015, now Pat. No. Des. 773,868.

(51) **LOC (13) Cl.** ..... **06-03**

(52) **U.S. Cl.**  
USPC ..... **D6/656.19**

(58) **Field of Classification Search**  
USPC ..... D6/641, 654.23, 655.23, 656.19, 672, D6/675, 685, 691, 691.2, 707, 707.19; D14/305; D21/397; D23/261, 308, 343  
CPC .... A47B 13/00; A47F 10/00; A47F 2003/008; A47F 3/001; A47F 3/007; A47F 7/022; A47F 7/024

See application file for complete search history.

(56) **References Cited**

U.S. PATENT DOCUMENTS

D132,875 S 6/1942 Cooper  
3,003,243 A 10/1961 Kanzelberger  
D214,741 S 7/1969 Dean  
D218,903 S 10/1970 Chichester  
D243,376 S 2/1977 Scott

(Continued)

OTHER PUBLICATIONS

“The Apple Watch First Impressions.” Found online Dec. 15, 2021 at [www.applewatchworld.com](http://www.applewatchworld.com). Page dated Apr. 10, 2015. Retrieved from URL: <http://applewatchworld.blogspot.com/2015/04/the-apple-watch-first-impressions.html> (Year: 2015).\*

(Continued)

*Primary Examiner* — Mary Ann Calabrese

*Assistant Examiner* — Katelin G Kloberg

(74) *Attorney, Agent, or Firm* — Sterne, Kessler, Goldstein & Fox P.L.L.C.

(57) **CLAIM**

The ornamental design for a table, as shown and described.

**DESCRIPTION**

FIG. 1 is a top front perspective view of a table showing our new design;

FIG. 2 is a front view thereof;

FIG. 3 is a rear view thereof;

FIG. 4 is a right side view thereof;

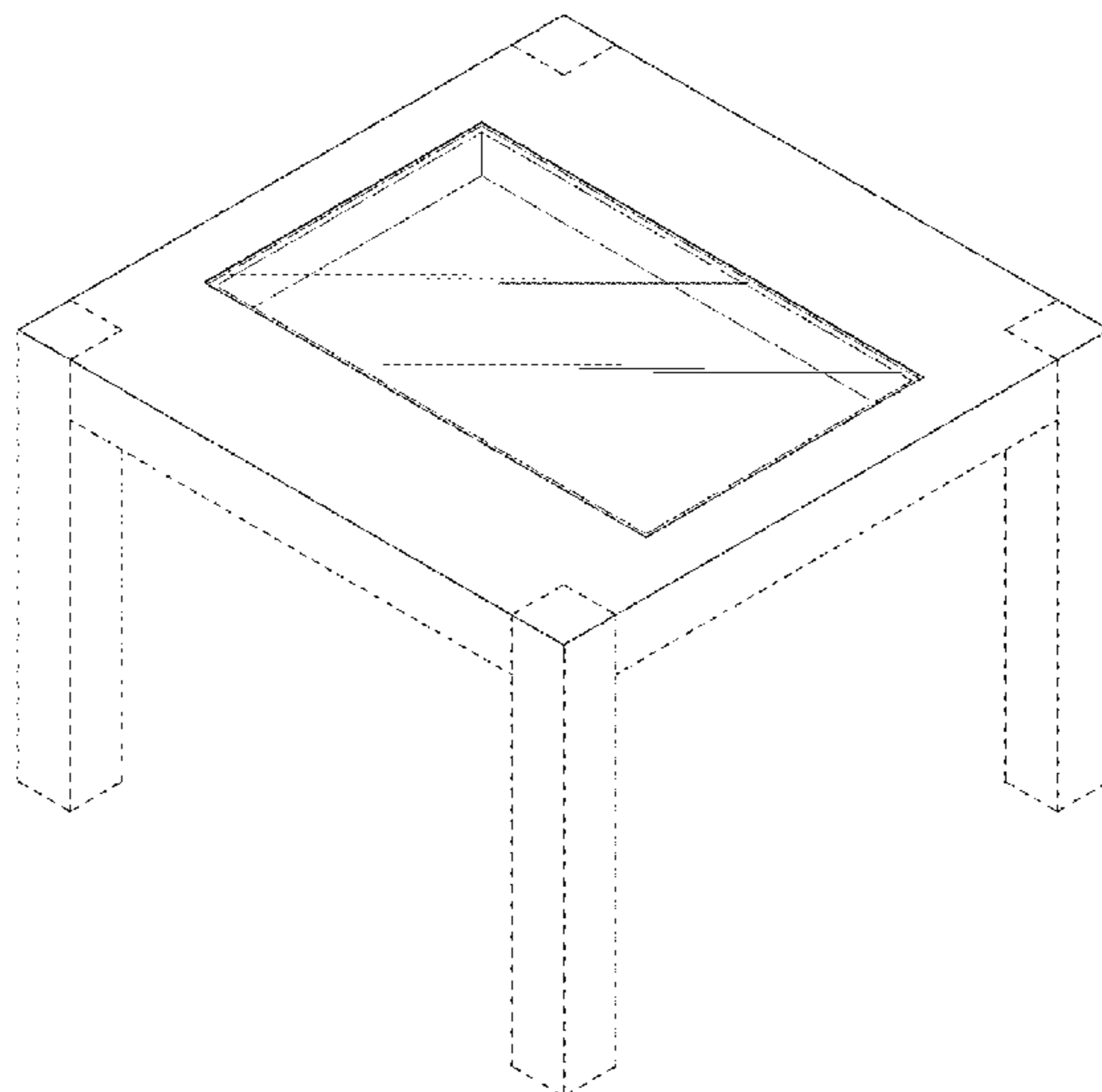
FIG. 5 is a left side view thereof;

FIG. 6 is a top view thereof; and,

FIG. 7 is a bottom view thereof

The broken lines in the figures show portions of the table that form no part of the claimed design.

**1 Claim, 4 Drawing Sheets**



(56)

References Cited

U.S. PATENT DOCUMENTS

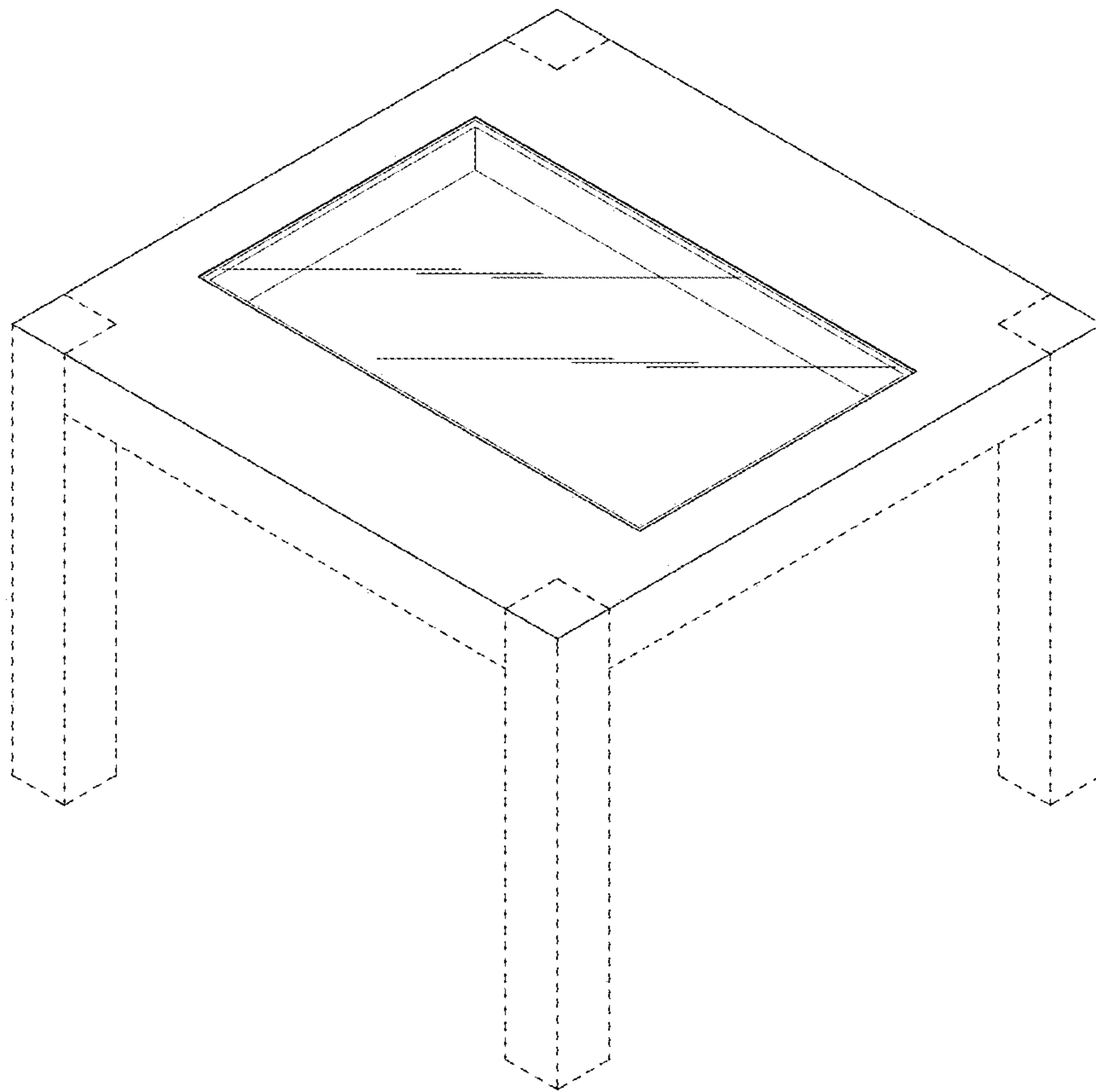
D243,982 S 4/1977 Carter  
 D248,351 S 7/1978 Bartholomew  
 D278,584 S 4/1985 Bromley  
 D281,208 S 11/1985 Raftery  
 D299,893 S 2/1989 Diehl  
 D300,889 S 5/1989 Bartlett  
 D322,371 S 12/1991 Rosen  
 D350,661 S 9/1994 Klein  
 D484,717 S 1/2004 de Blois  
 D487,655 S 3/2004 Varsi  
 D522,274 S 6/2006 Coval  
 D558,489 S 1/2008 Christensen  
 D583,590 S 12/2008 Ellouz  
 D591,079 S 4/2009 Singler et al.  
 D591,979 S 5/2009 Singler et al.  
 D646,507 S 10/2011 Delmestri  
 D649,381 S 11/2011 Mainzer  
 D657,978 S 4/2012 Hamm et al.  
 D674,625 S 1/2013 Mecherle et al.  
 D678,696 S 3/2013 Hamm et al.  
 D679,521 S 4/2013 Hamm et al.  
 D683,161 S 5/2013 Polloni  
 D684,413 S 6/2013 Schmitt  
 D688,494 S 8/2013 Hamm et al.  
 D689,307 S 9/2013 Burt  
 D693,156 S 11/2013 Hamm et al.  
 D713,658 S 9/2014 Tio et al.  
 D717,572 S 11/2014 Morrison  
 D725,947 S 4/2015 Tio et al.  
 D728,281 S 5/2015 Heirakuji et al.  
 D729,560 S 5/2015 Hamm et al.  
 D734,078 S 7/2015 Bougay  
 D734,965 S 7/2015 Tio et al.  
 D746,616 S 1/2016 Akana et al.  
 D753,419 S 4/2016 Heirakuji et al.  
 D757,464 S 5/2016 Chiang

D758,106 S 6/2016 Hamm et al.  
 D766,630 S 9/2016 Akana et al.  
 D766,631 S 9/2016 Akana et al.  
 D766,632 S 9/2016 Akana et al.  
 D766,633 S 9/2016 Akana et al.  
 D767,310 S \* 9/2016 Akana ..... D6/691  
 D769,654 S \* 10/2016 Akana ..... D6/691  
 D773,868 S \* 12/2016 Schwalbach ..... D6/695.6  
 D779,244 S \* 2/2017 Akana ..... D6/691.7  
 D790,262 S \* 6/2017 Akana ..... D6/691  
 D799,250 S \* 10/2017 Schwalbach ..... D6/691.2  
 D810,483 S \* 2/2018 Akana ..... D6/691.7  
 D833,789 S \* 11/2018 Schwalbach ..... D6/707.19  
 D835,928 S \* 12/2018 Akana ..... D6/691.7  
 D907,416 S \* 1/2021 Akana ..... D6/691  
 D913,737 S \* 3/2021 Schwalbach ..... D6/707.19  
 D932,820 S \* 10/2021 Schwalbach ..... D6/707.19  
 2009/0095204 A1 4/2009 Levy et al.  
 2010/0290215 A1 11/2010 Metcalf et al.  
 2014/0124641 A1 5/2014 Kassanoff et al.  
 2015/0150370 A1 6/2015 Korb et al.  
 2016/0064995 A1\* 3/2016 Schwalbach ..... A47F 10/00  
 320/108

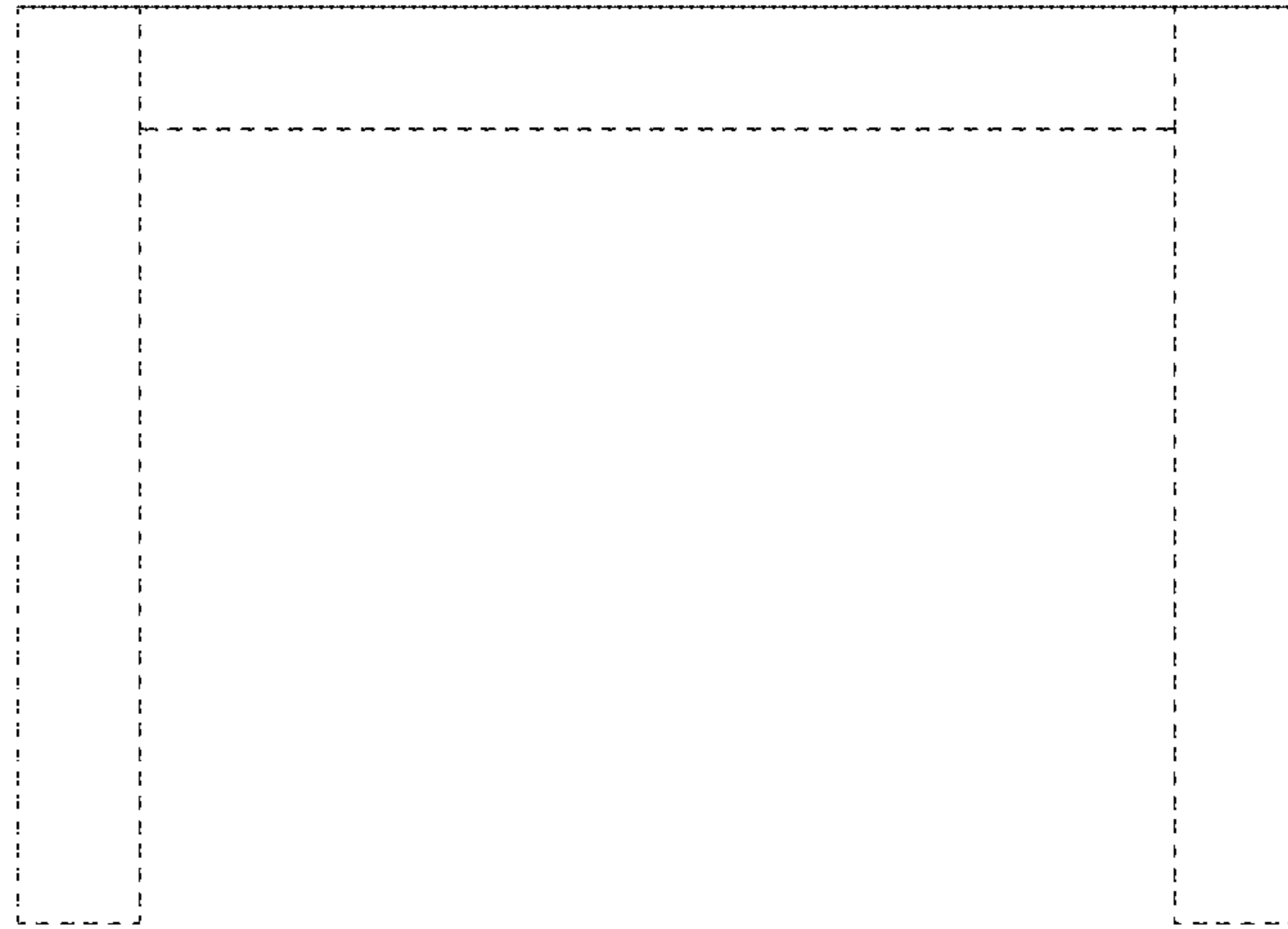
OTHER PUBLICATIONS

Apple Granted 8 Design Patents for All-New Apple Watch Tables [online]. Patently Apple, Nov. 28, 2015, <<http://www.patentlyapple.com/patently-apple/2015/11/apple-granted-8-design-patents-for-all-new-apple-watch-tables.html>>.  
 Neil Hughes, "Apple retail stores 'bulging at the seams' at 8400 average square feet," Appleinsider.com, dated May 8, 2012, <[http://appleinsider.com/articles/12/05/08/apple\\_retail\\_stores\\_bulging\\_at\\_the\\_seams\\_at\\_8400\\_average\\_square\\_feet](http://appleinsider.com/articles/12/05/08/apple_retail_stores_bulging_at_the_seams_at_8400_average_square_feet)> 2 pages.  
 Valentina Palladino, "Apple Store Receives Trademark for 'Distinctive Design and Layout,'" Wired.com, dated Jan. 30, 2013, <<http://www.wired.com/2013/01/apple-store-trademark/>> 2 pages.

\* cited by examiner



**FIG. 1**



**FIG. 2**



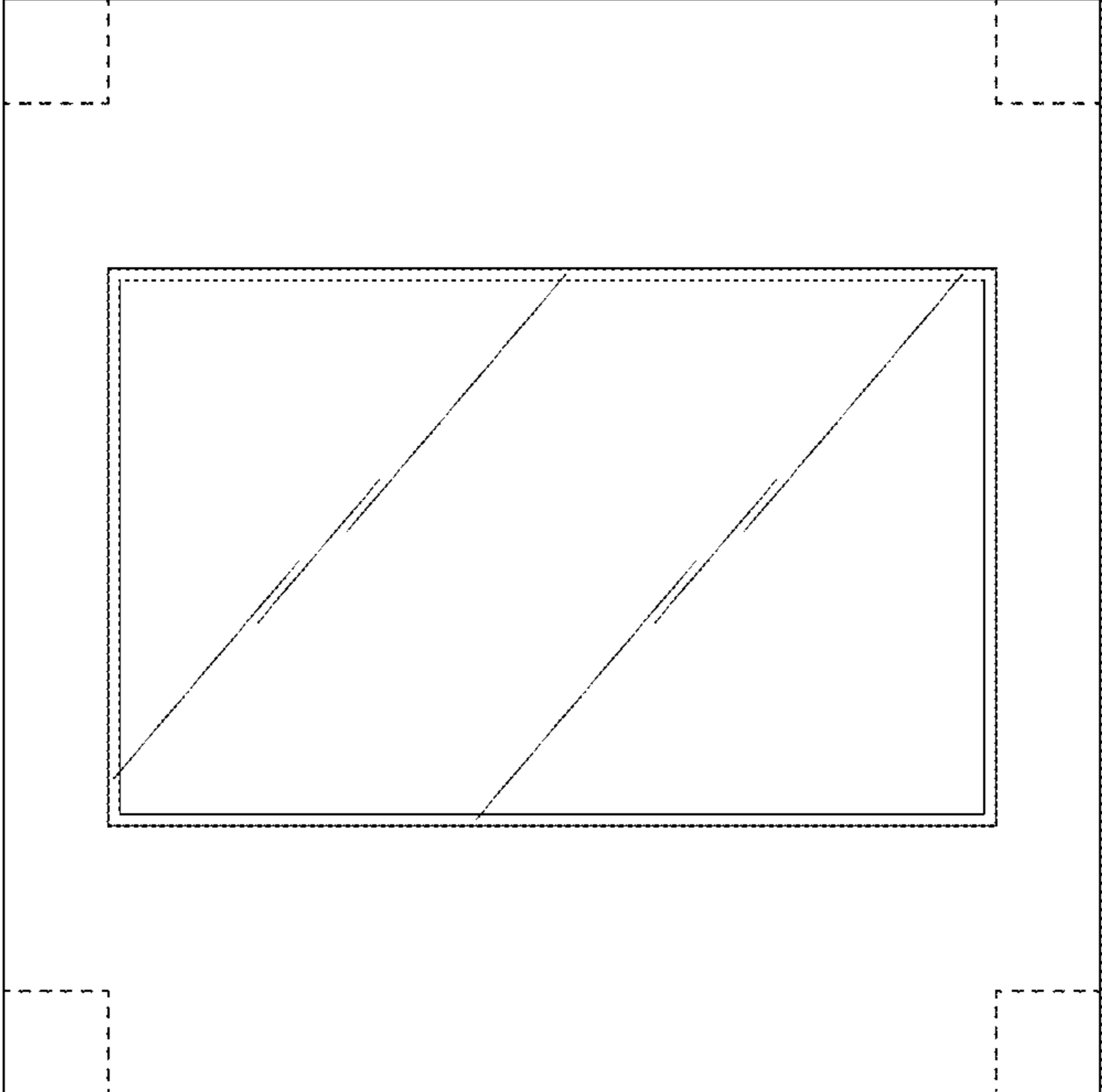
**FIG. 3**



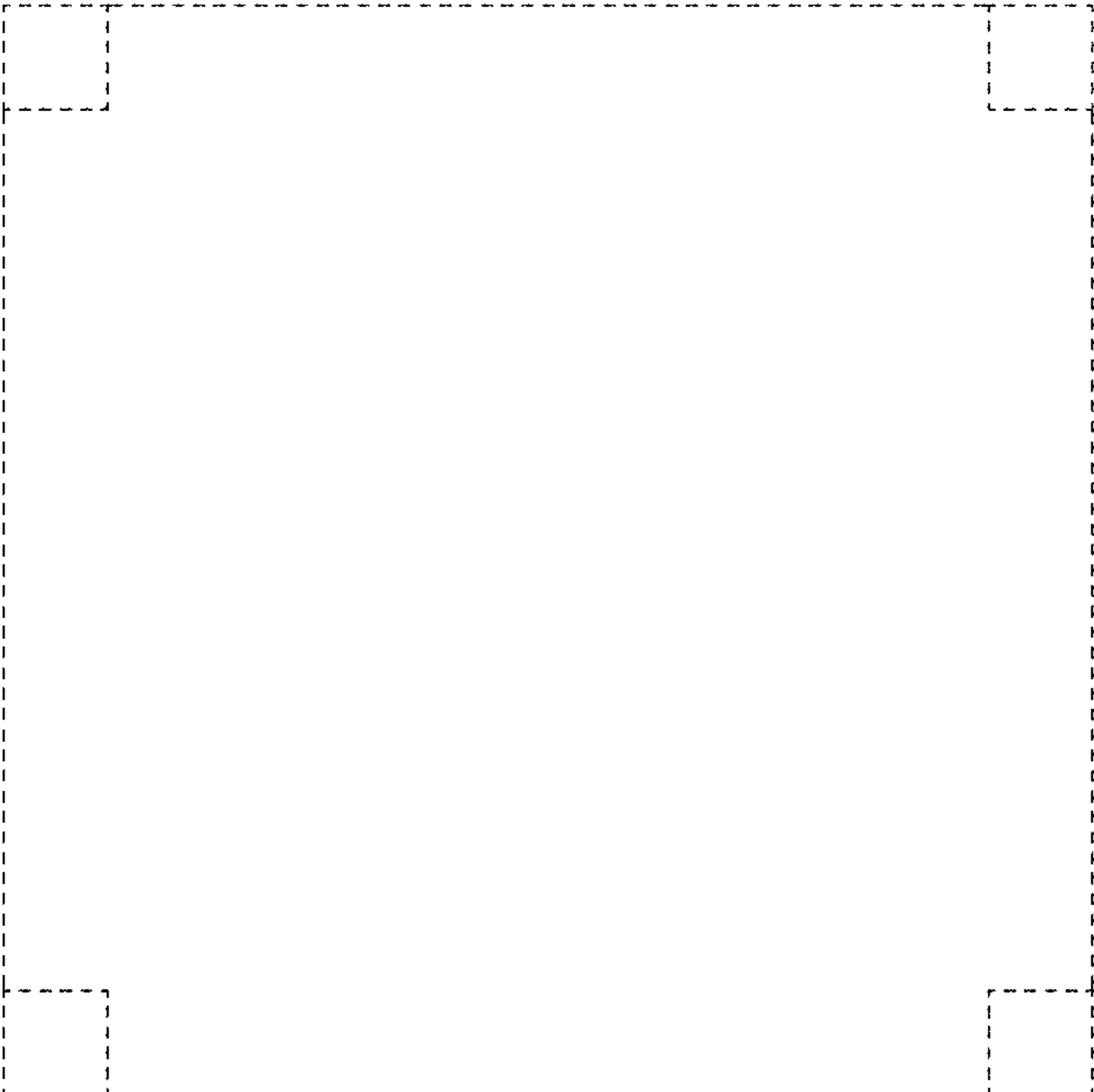
**FIG. 4**



**FIG. 5**



**FIG. 6**



**FIG. 7**