



US00D955786S

(12) **United States Design Patent**
Hu

(10) **Patent No.:** **US D955,786 S**
(45) **Date of Patent:** **** Jun. 28, 2022**

(54) **FOLDABLE DESK**
(71) Applicant: **Yajun Hu**, El Dorado Hills, CA (US)
(72) Inventor: **Yajun Hu**, El Dorado Hills, CA (US)
(73) Assignees: **Yajun Hu**, El Dorado Hills, CA (US);
EUREKA LLC, EL Dorado Hills, CA (US)

(**) Term: **15 Years**

(21) Appl. No.: **29/745,057**

(22) Filed: **Aug. 3, 2020**

(51) **LOC (13) Cl.** **06-03**

(52) **U.S. Cl.**
USPC **D6/656**

(58) **Field of Classification Search**
USPC D6/641, 642, 644, 647, 648.1, 648.4,
D6/650.1, 651, 653.1, 653.18, 655, 655.1,
D6/655.18, 655.22, 656, 691-691.9, 685,
D6/686
CPC A47B 7/00; A47B 13/00; A47B 13/03;
A47B 13/02; A47B 13/04; A47B 13/06;
A47B 13/08; A47B 2200/0001; A47B
22/0011; A47B 2200/0035; A47B 21/00;
A47B 21/03; A47B 21/034; A47B 3/08;
A47B 3/083; A47B 21/02

See application file for complete search history.

(56) **References Cited**

U.S. PATENT DOCUMENTS

D244,114 S * 4/1977 Neff D6/691.8
D259,551 S * 6/1981 Oatman D34/17
D295,474 S * 5/1988 Uredat-Neuhoff D6/656.16
D375,212 S * 11/1996 Colquhoun D6/691.8
D385,727 S * 11/1997 Chang D6/691.8
6,182,578 B1 * 2/2001 Fanuzzi A61G 13/105
108/132
D440,793 S * 4/2001 Iannaccone D6/691.9
D478,225 S 8/2003 Wang

D489,200 S * 5/2004 Antonioni D6/655.21
D499,273 S 12/2004 Chang
D499,576 S 12/2004 Long
D526,812 S 8/2006 Chen
D547,970 S 8/2007 Chou
D549,009 S 8/2007 Lin
D584,542 S * 1/2009 Martin D6/656
9,591,919 B2 3/2017 Ergun et al.
9,635,932 B2 5/2017 Kelley et al.
D794,366 S * 8/2017 Tsuchiyama D6/709
(Continued)

OTHER PUBLICATIONS

Modern Folding Computer Desk by Eureka Ergonomic, first available: Aug. 4, 2020. Amazon.com [online], [site visited Mar. 1, 2022], Internet URL: https://www.amazon.com/EUREKA-ERGONOMIC-Computer-Unfolded-Crafting/dp/B08F7KC1N7/ref=asc_df_B08F7KC1N7/ (Year: 2020).*

(Continued)

Primary Examiner — Steven J Czyz
Assistant Examiner — Hillary Catherine Shepard

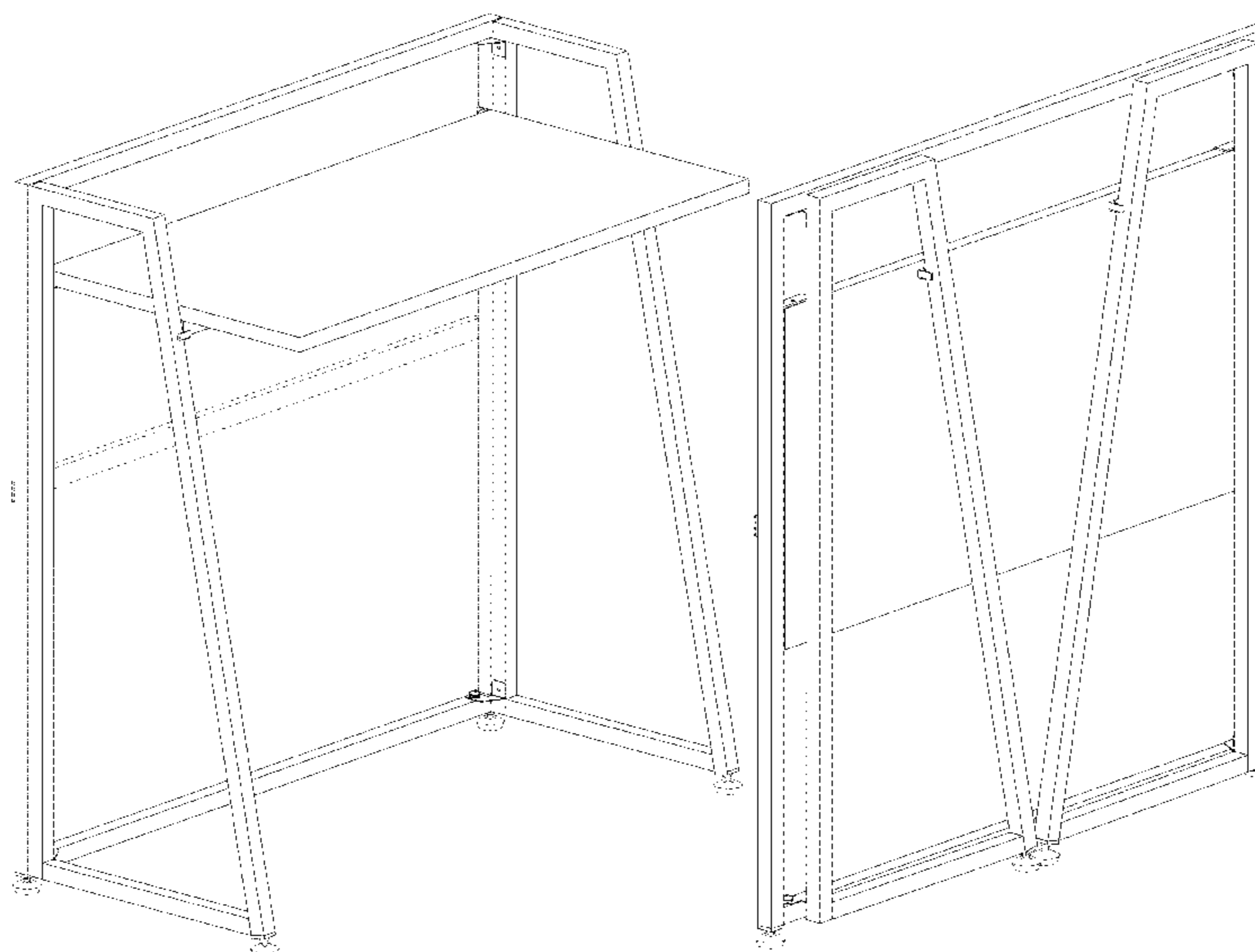
(57) **CLAIM**

I claim the ornamental design for a foldable desk, as shown and described.

DESCRIPTION

FIG. 1 is a perspective view of a foldable desk, showing my new design;
FIG. 2 is a front view thereof;
FIG. 3 is a bottom view thereof;
FIG. 4 is a top view thereof;
FIG. 5 is a rear side view thereof;
FIG. 6 is a left side view thereof; and,
FIG. 7 is a view in folded position thereof.
The broken line portion of the figure drawings is included to show portions of the article that forms no part of the claimed design.

1 Claim, 7 Drawing Sheets



(56)

References Cited

U.S. PATENT DOCUMENTS

D824,703	S *	8/2018	Yamamoto	D6/675.1
D845,679	S *	4/2019	Li	D6/656
D866,232	S *	11/2019	Davis	D6/691.6
D898,485	S *	10/2020	Pedersen	D6/675
D904,799	S *	12/2020	Li	D6/654.1
D910,342	S *	2/2021	Li	D6/656
D925,949	S *	7/2021	Wang	D6/656
D927,894	S *	8/2021	Jia	D6/656
D928,536	S *	8/2021	Huang	D6/656
D943,315	S *	2/2022	Li	D6/656
D945,798	S *	3/2022	Yamamoto	D6/655
D948,249	S *	4/2022	Li	D6/656.13
2011/0139042	A1 *	6/2011	Korb	A47B 3/08 108/115
2012/0055380	A1 *	3/2012	Chung	A47B 3/06 108/127
2021/0068530	A1 *	3/2021	Tao	A47B 3/0818

OTHER PUBLICATIONS

Folding Desk by It's_Organized, first available: Jan. 27, 2021. Amazon.com [online], [site visited Mar. 1, 2022], Internet URL: https://www.amazon.com/Its_Organized-Foldable-Computer-Portable-Assembly/dp/B08V4MWKBS/ref=sr_1_285 (Year: 2021).*

Izidora Desk by 17 Stories, first available: Unknown. Wayfair.com [online], [site visited Mar. 1, 2022], Internet URL: <https://www.wayfair.com/furniture/pdp/17-stories-izidora-desk-w004198806.html?piid=1441504534%2C1441504535> (Year: 2022).*

Folding Desk by Wohomo, first available: Nov. 17, 2020. Amazon.com [online], [site visited Feb. 15, 2022], Internet URL: https://www.amazon.com/WOHOMO-Computer-Space-Saving-Foldable-Workstation/dp/B08M3W6SML/ref=sr_1_15 (Year: 2020).*

Folding Desk by DESIGNA, first available: Aug. 5, 2020. Amazon.com [online], [site visited Mar. 1, 2022], Internet URL: https://www.amazon.com/DESIGNA-Students-Computer-Protective-Guardrail/dp/B08F9XHWY/ref=sr_1_50_ssps (Year: 2020).*

* cited by examiner

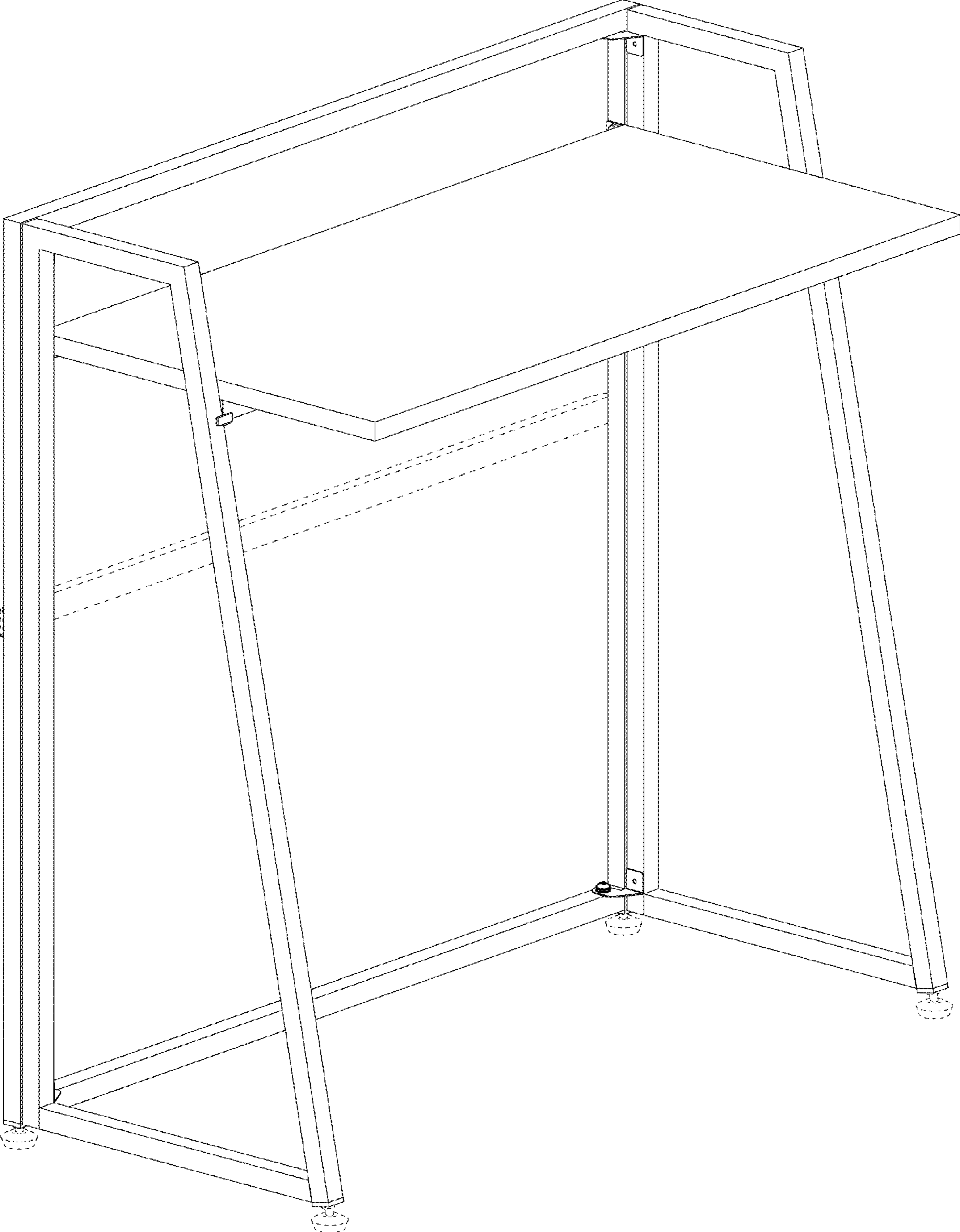


FIG.1

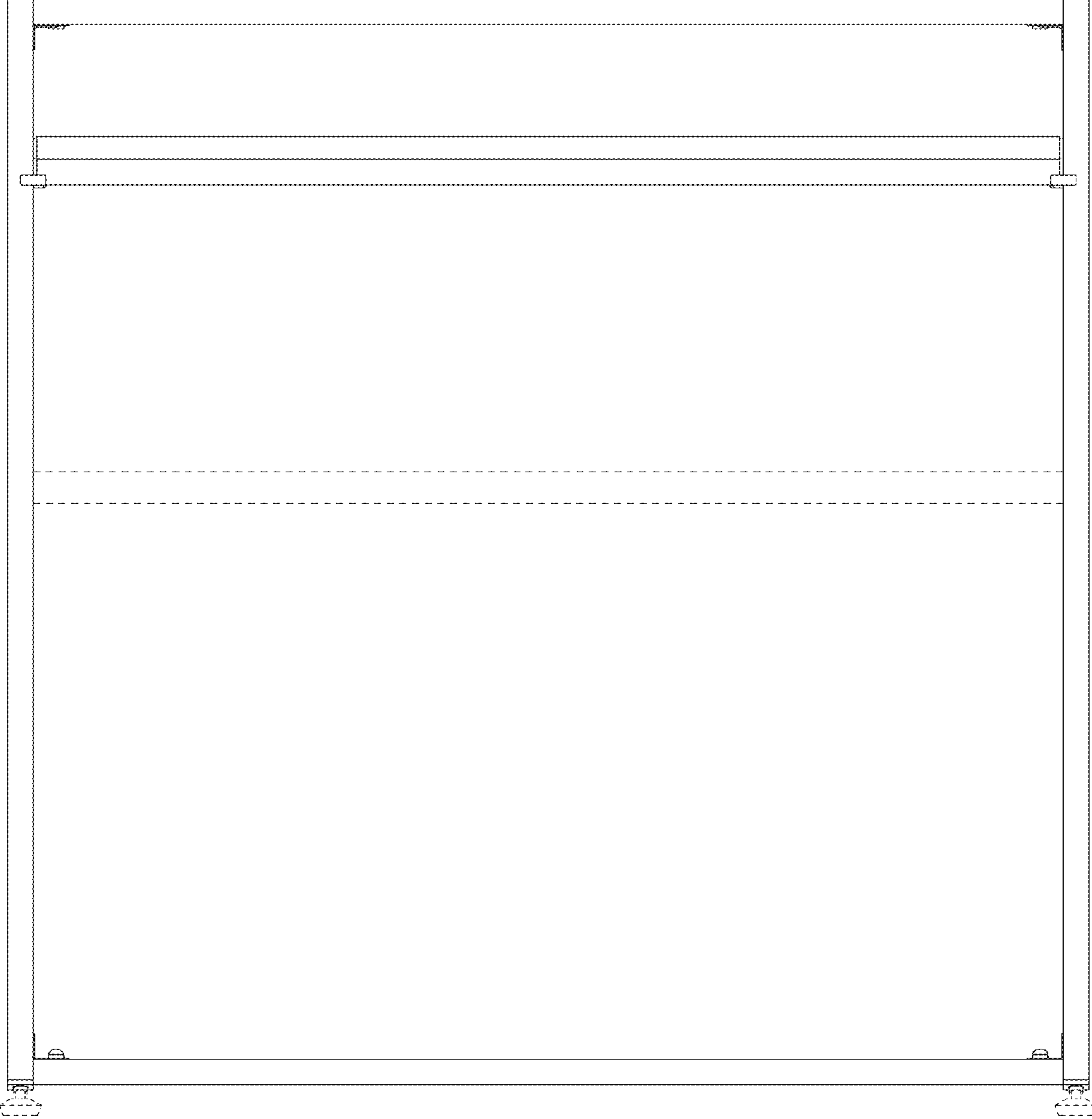


FIG.2

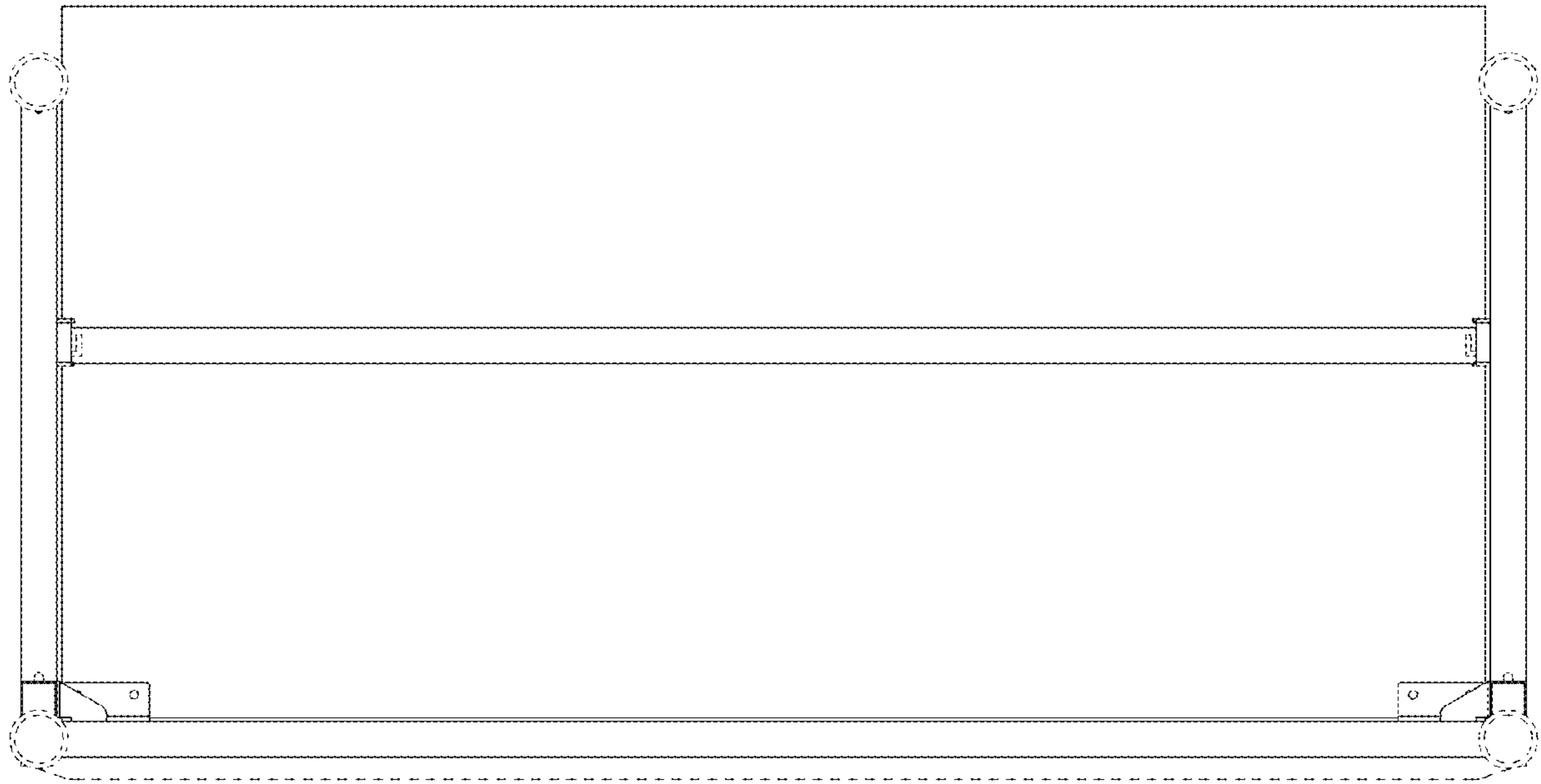


FIG.3



FIG.4

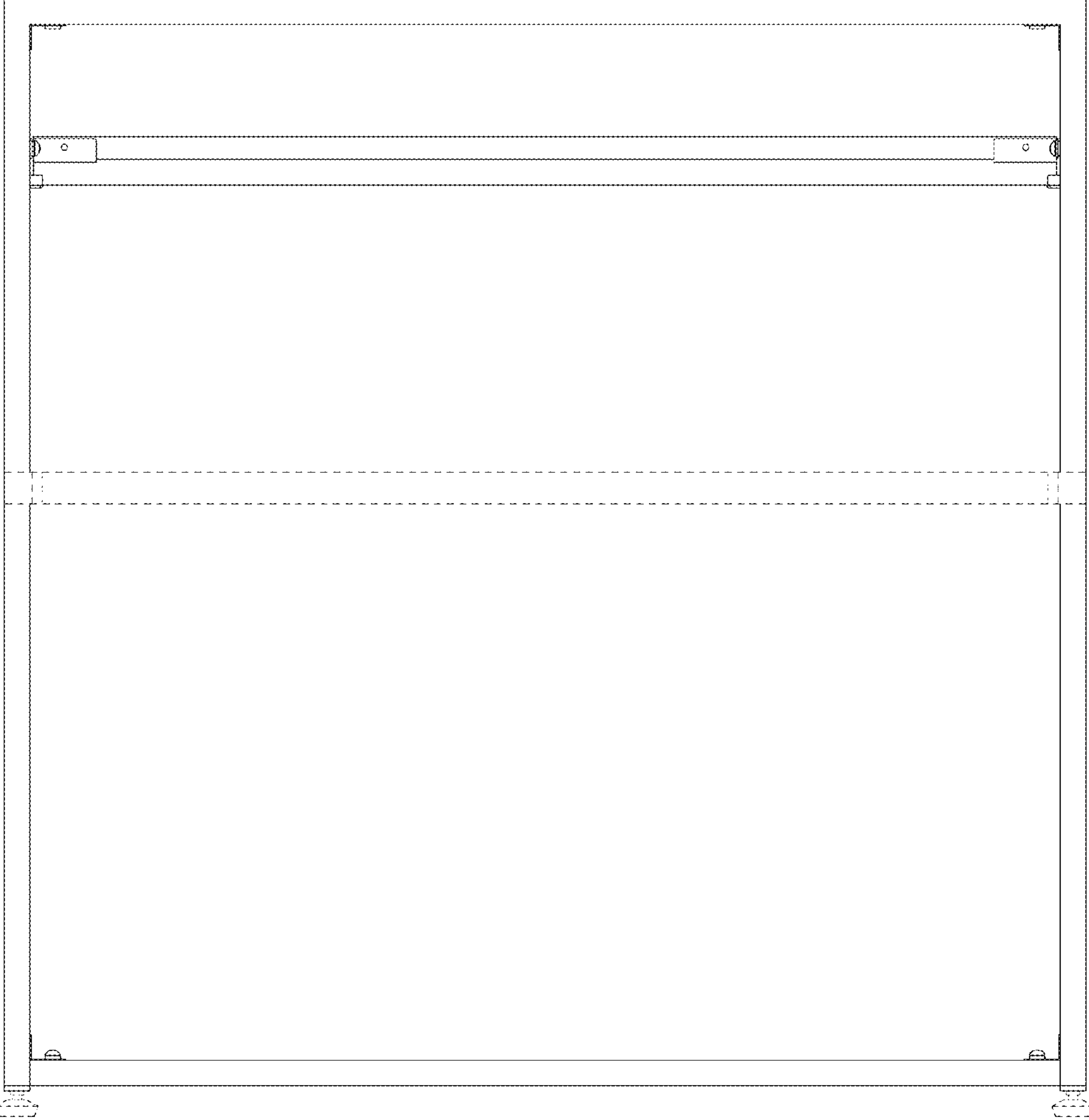


FIG.5

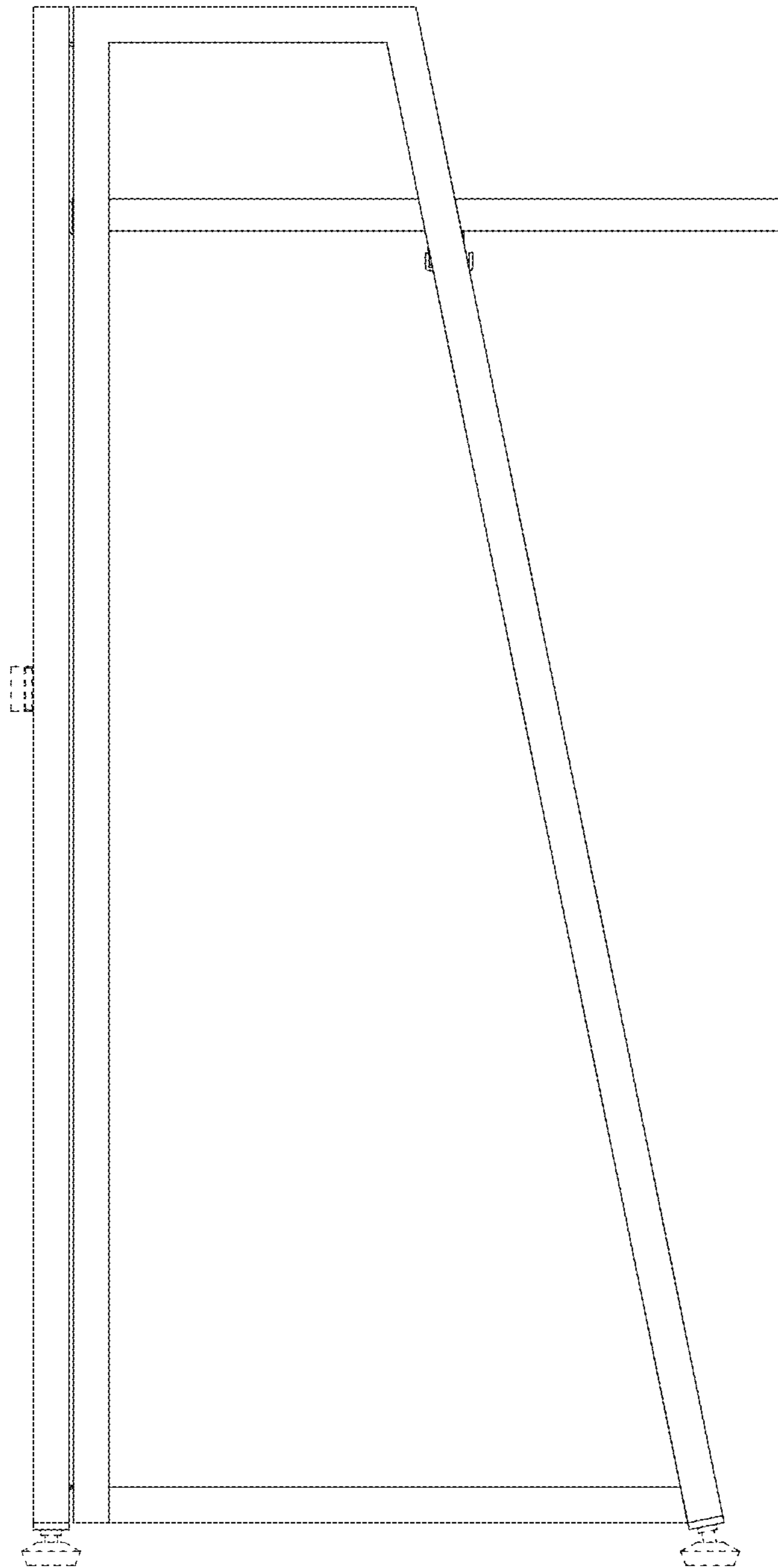


FIG.6

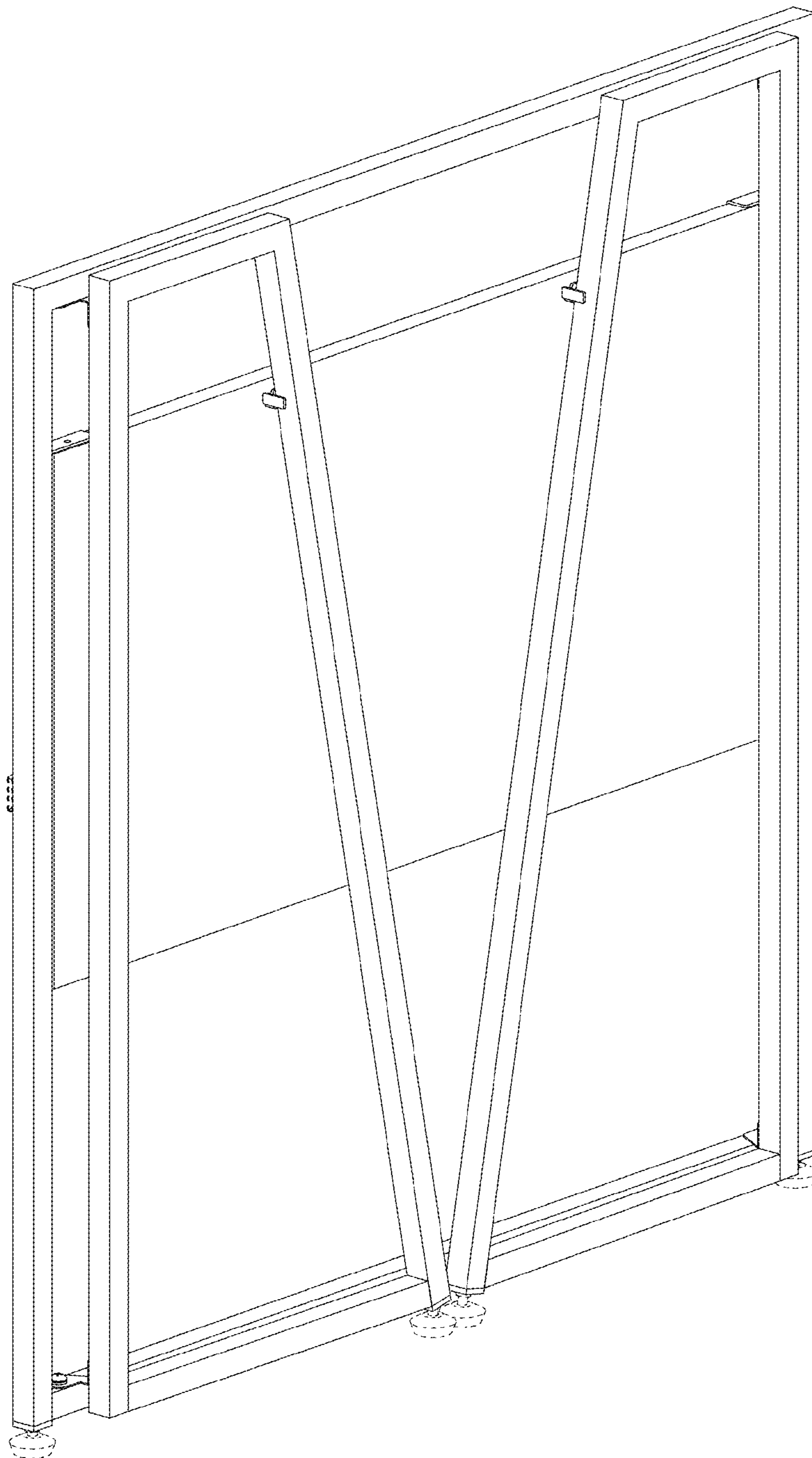


FIG.7