



US00D955785S

(12) **United States Design Patent** (10) **Patent No.:** **US D955,785 S**  
**Li** (45) **Date of Patent:** **\*\* Jun. 28, 2022**

(54) **WEDGE PILLOW**

(71) Applicant: **Zhefei Li**, Zhejiang (CN)

(72) Inventor: **Zhefei Li**, Zhejiang (CN)

(\*\*) Term: **15 Years**

(21) Appl. No.: **29/794,260**

(22) Filed: **Jun. 11, 2021**

(51) **LOC (13) Cl.** ..... **06-09**

(52) **U.S. Cl.**  
USPC ..... **D6/601**

(58) **Field of Classification Search**  
USPC ..... D6/595, 596, 601, 604, 605, 606, 607,  
D6/608, 609; 5/413 AM, 690, 706, 961,  
5/716, 717, 718, 721, 495, 496, 497, 498,  
5/499, 490, 491  
CPC ..... A47C 19/00; A47C 23/00; A47C 21/026;  
A47C 27/00; A47C 27/06; A47C 27/08;  
A47C 27/081; A47C 27/082; A47G 9/10;  
A47G 9/1009; A47G 9/1027; A47G  
9/1045; A47G 9/1063; A47G 9/1072;  
A47G 9/1081  
See application file for complete search history.

(56) **References Cited**

**U.S. PATENT DOCUMENTS**

D211,721 S *	7/1968	Radford	5/636
4,635,306 A *	1/1987	Willey	A47C 16/005 D6/601
D310,609 S	9/1990	Burkhardt	
4,970,742 A *	11/1990	Keener	A47C 20/027 5/640
D334,107 S	3/1993	Johnson	
D376,945 S *	12/1996	Bonaddio	D6/601
D402,148 S	12/1998	Bonaddio et al.	
D446,676 S *	8/2001	Mayes	D6/601
D521,301 S *	5/2006	Dickson	D6/601
D610,852 S *	3/2010	Rothschild	D6/601
D771,414 S *	11/2016	Krishtul	D6/601

D805,325 S *	12/2017	Chan	D6/601
D833,628 S *	11/2018	Davis	D6/601
D845,035 S *	4/2019	Raad et al.	
D864,612 S *	10/2019	Castellano	
D872,504 S	1/2020	Toft	
D880,901 S *	4/2020	Raad	D6/601

(Continued)

**FOREIGN PATENT DOCUMENTS**

CN	305978107	*	6/2020
CN	305978091	*	8/2020

(Continued)

**OTHER PUBLICATIONS**

WOWMAX Back Rest Pillow, earliest date available unknown, [online], [site visited Mar. 10, 2022]. Available from Internet, <URL: <https://www.overstock.com/Home-Garden/WOWMAX-Bed-Rest-Wedge-Pillow-Headboard-Reading-TV-Back-Support-Cushion/33890518/product.html>> (Year: 2022).\*

(Continued)

*Primary Examiner* — Sanjeev Paul

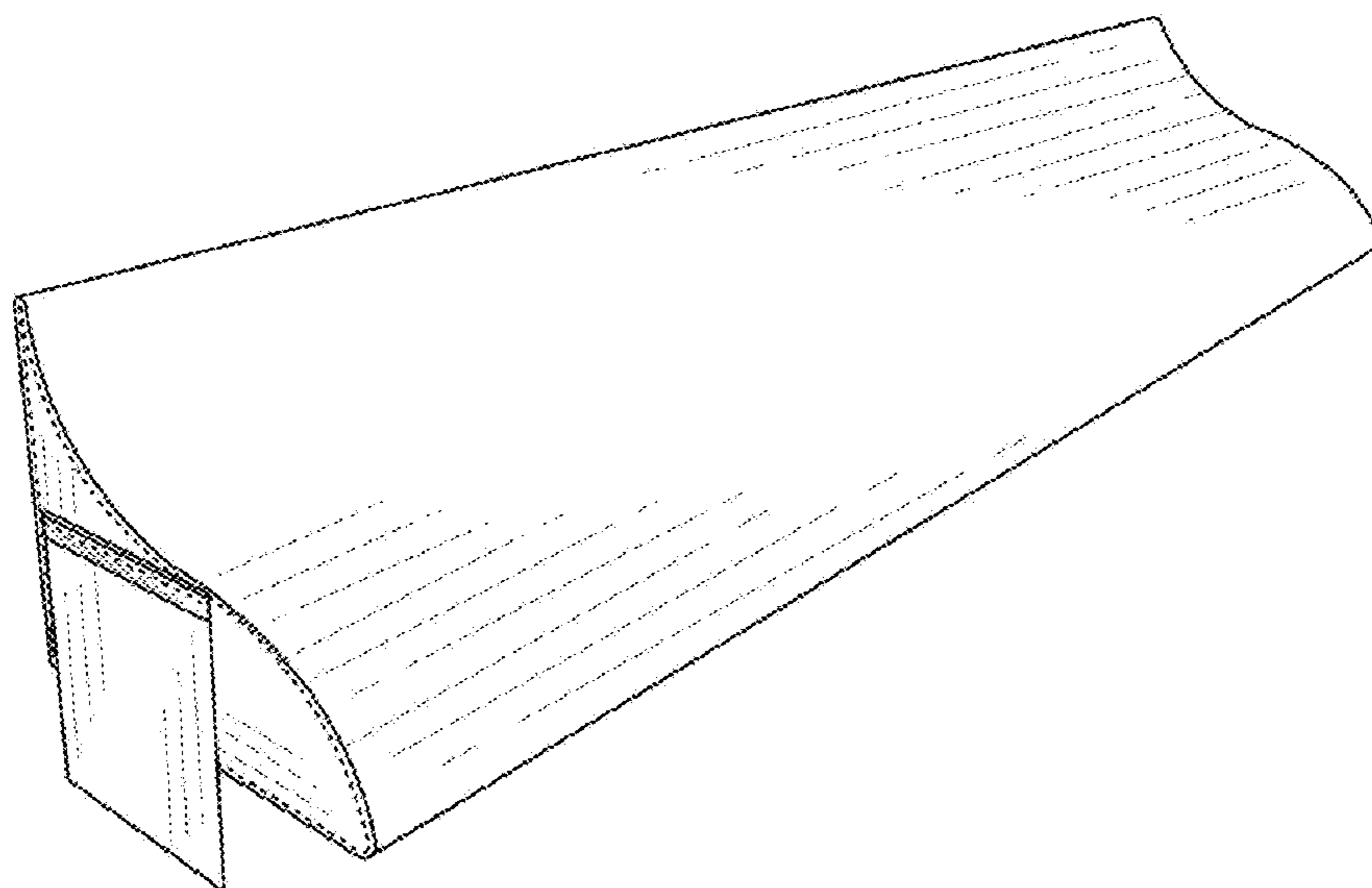
(57) **CLAIM**

The ornamental design for a wedge pillow, as shown and described.

**DESCRIPTION**

FIG. 1 is a perspective view of a wedge pillow showing my new design;  
FIG. 2 is a front elevational view thereof;  
FIG. 3 is a rear elevational view thereof;  
FIG. 4 is a left side elevational view thereof;  
FIG. 5 is a right side elevational view thereof;  
FIG. 6 is a top plan view thereof; and,  
FIG. 7 is a bottom plan view thereof.  
The broken lines shown in the drawings depict stitching which forms part of the claimed design.

**1 Claim, 7 Drawing Sheets**



(56)

References Cited

U.S. PATENT DOCUMENTS

D882,296 S	*	4/2020	Huang .....	D6/601
D884,388 S	*	5/2020	Jung .....	D6/601
D899,140 S		10/2020	Ponder	
D906,733 S	*	1/2021	Graham .....	D6/601
D907,941 S	*	1/2021	Chanfrau, IV	
D911,748 S		3/2021	Luo	
D921,399 S	*	6/2021	Michover .....	D6/601
D929,770 S	*	9/2021	Moore .....	D6/601
D934,591 S	*	11/2021	Cuadra .....	D6/601
D939,246 S	*	12/2021	Huang	
D941,060 S	*	1/2022	Kong .....	D6/601

FOREIGN PATENT DOCUMENTS

CN	306546929	*	5/2021
GB	6127476	*	3/2021
KR	301011547.0000	*	6/2019
WO	D208730-001	*	10/2020

OTHER PUBLICATIONS

Memory Foam Medium Support Pillow, earliest date available unknown, [online], [site visited Mar. 10, 2022]. Available from Internet, <URL: <https://www.wayfair.com/bed-bath/pdp/newdatatrade-memory-foam-medium-support-pillow-awda1881.html>> (Year: 2022).\*

Moos Memory Foam Medium Support Pillow, earliest date available unknown, [online], [site visited Mar. 10, 2022]. Available from Internet, <URL: <https://www.wayfair.com/bed-bath/pdp/alwyn-home-moos-memory-foam-medium-support-pillow-w007167481.html>> (Year: 2022).\*

Twin Bed Wedge Headboard Pillow, earliest date available unknown, [online], [site visited Mar. 10, 2022]. Available from Internet, <URL: <https://www.wayfair.com/bed-bath/pdp/alwyn-home-twin-size-bed-wedge-pillowheadboard-pillowmattress-wedgebed-gap-filler-that-can-close-the-gap-0-7-between-your-mattress-and-headboardgray-39x10x6-w006789010.html>> (Year: 2022).\*

\* cited by examiner

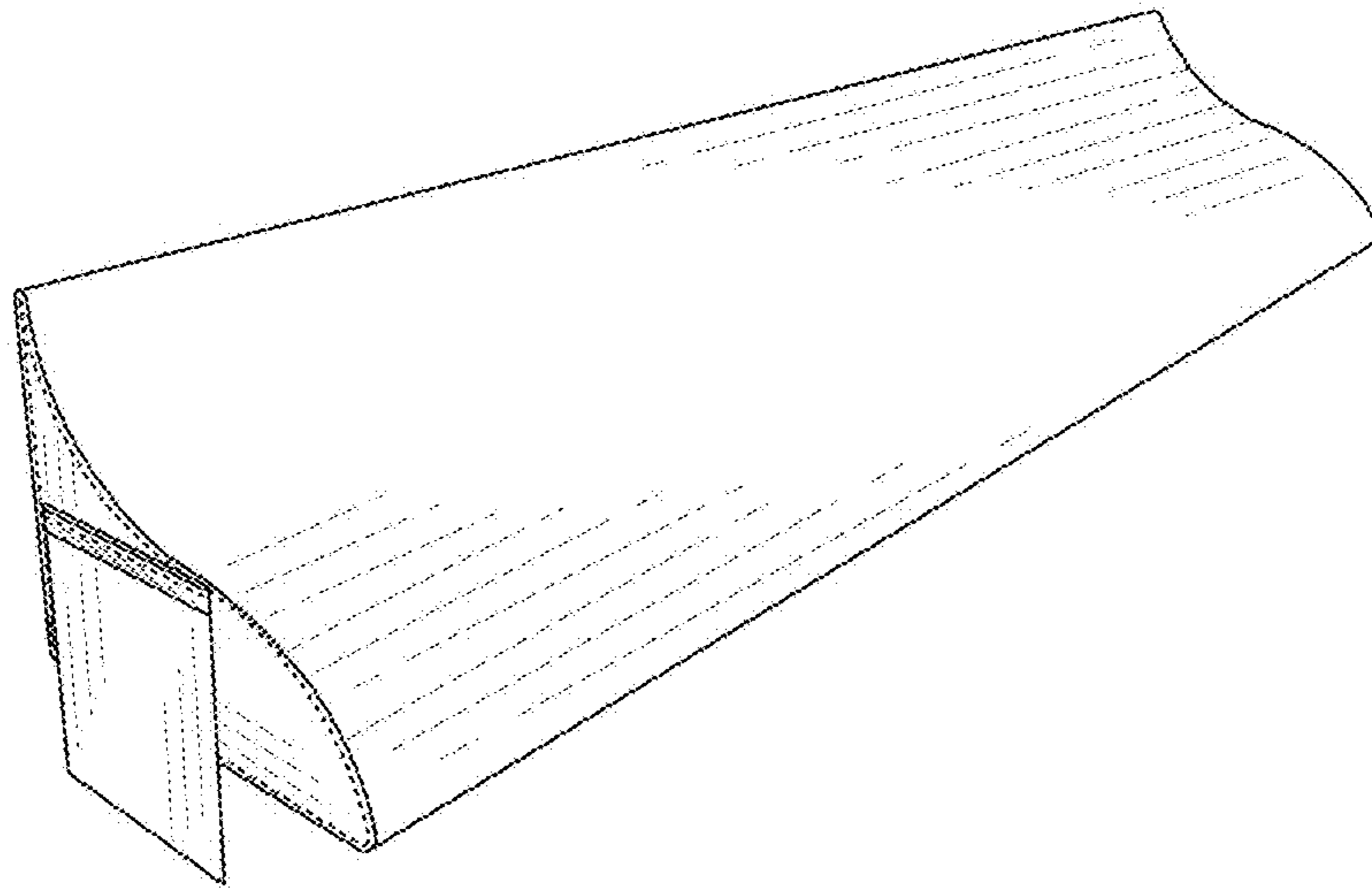


FIG. 1

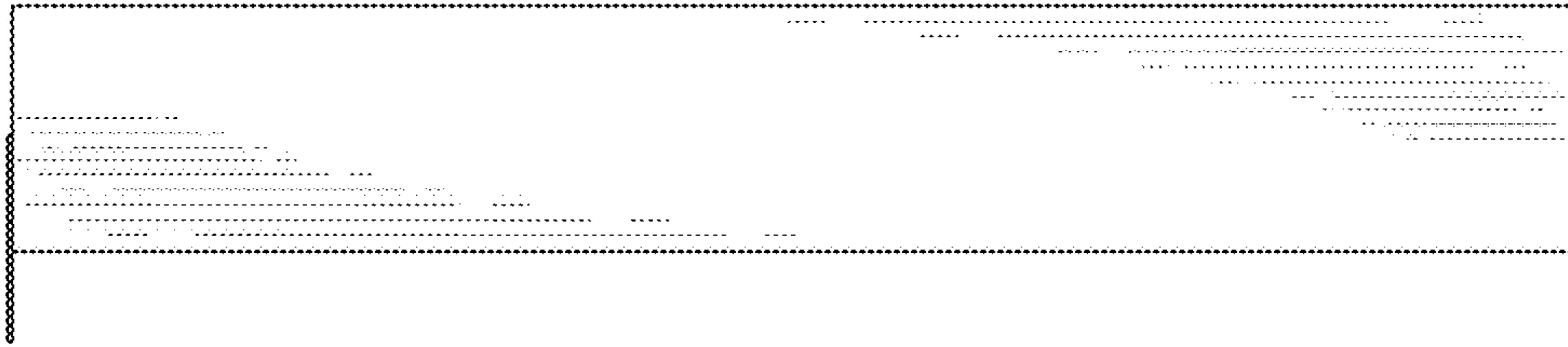


FIG. 2

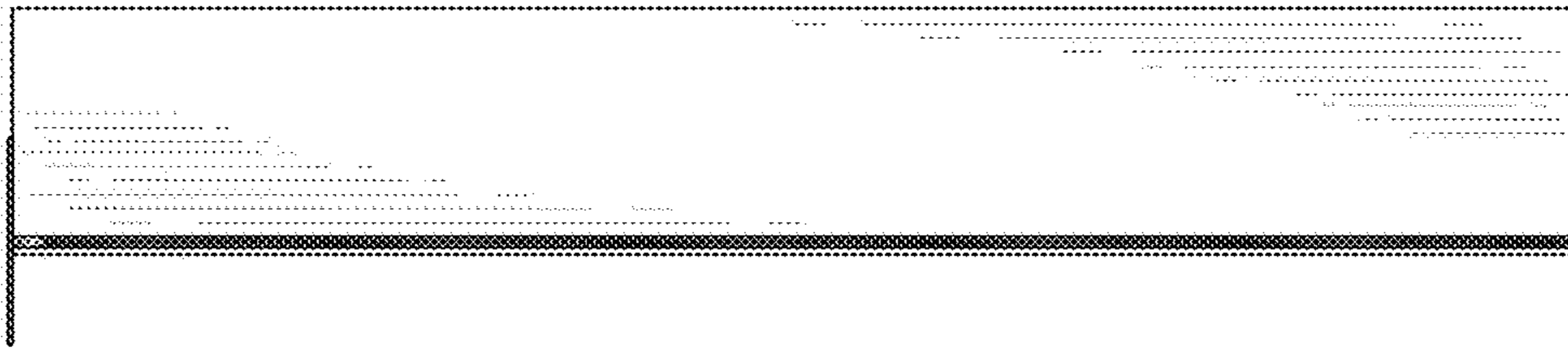


FIG. 3

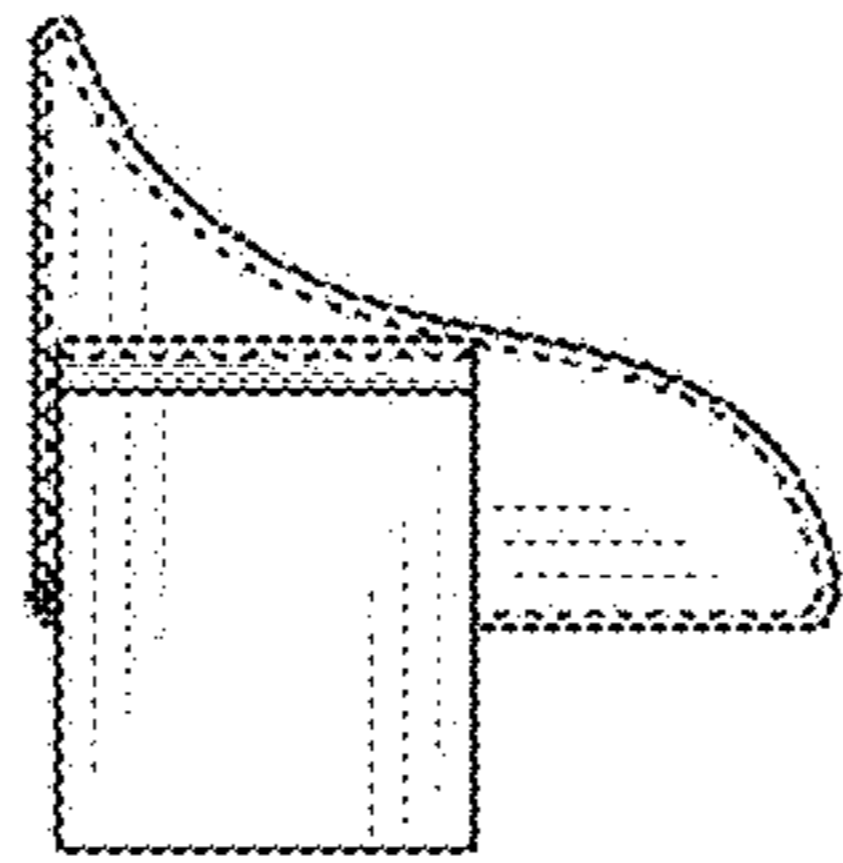


FIG. 4

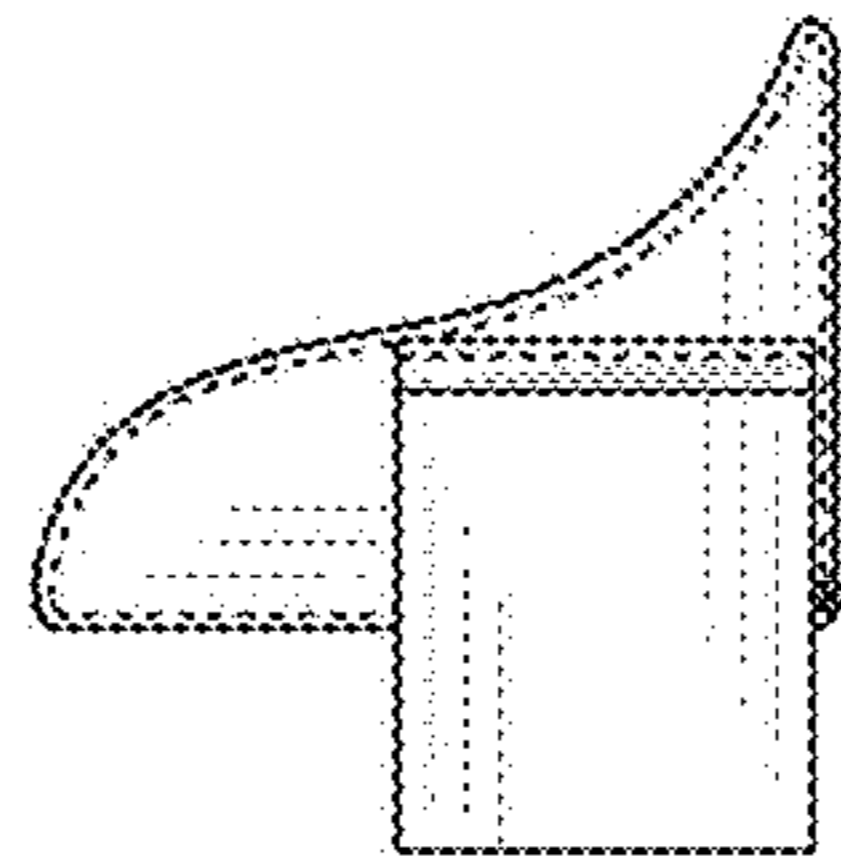


FIG. 5

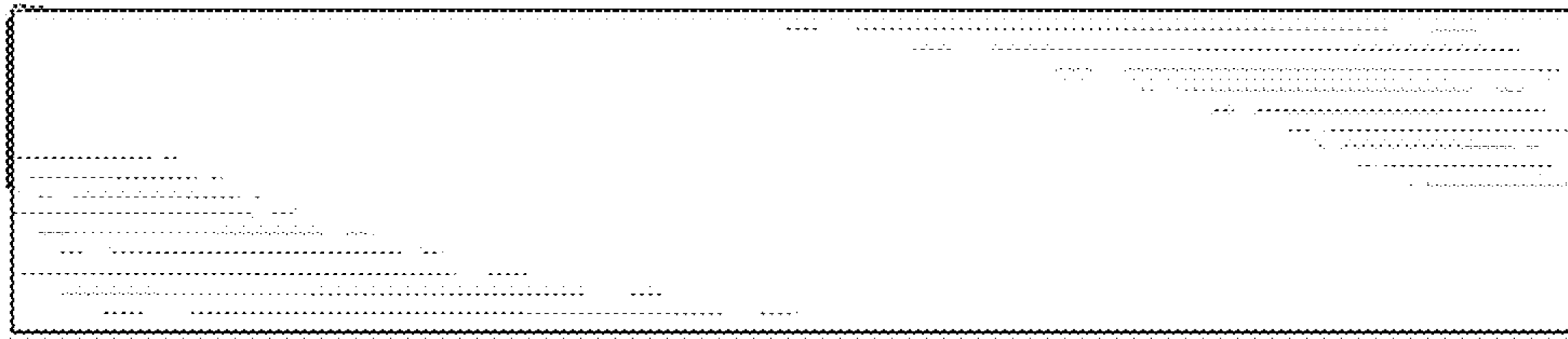


FIG. 6



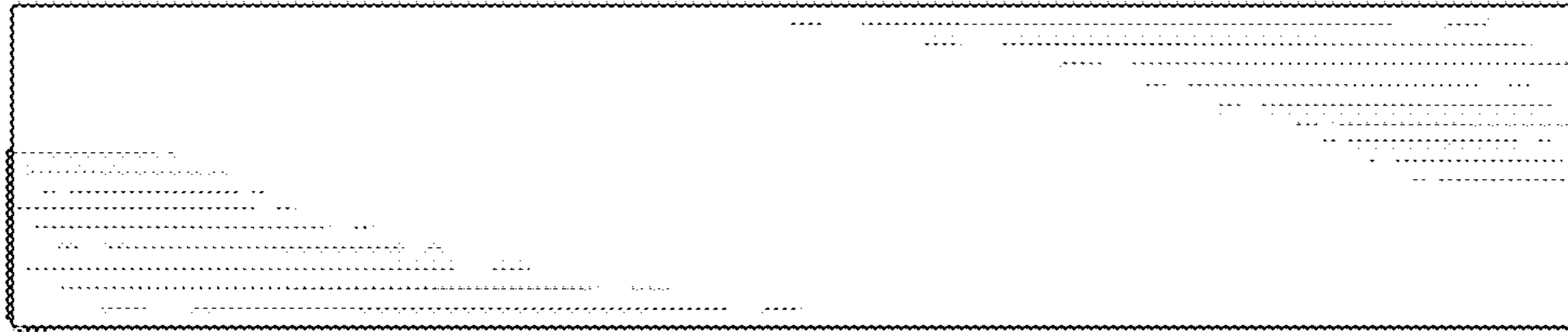


FIG. 7