



US00D955779S

(12) **United States Design Patent**  
**Carvalho de Oliveira**

(10) **Patent No.:** **US D955,779 S**  
(45) **Date of Patent:** **\*\* Jun. 28, 2022**

(54) <b>DISPENSER</b>	D620,735 S * 8/2010 Schmidt .....	D6/545
	D625,132 S * 10/2010 Schmidt .....	D6/545
(71) Applicant: <b>Terra Brasilis Sabonetes E</b>	D626,366 S * 11/2010 Schmidt .....	D6/545
<b>Cosmeticos Ltda, Colombo (BR)</b>	8,272,611 B2 * 9/2012 Schmidt .....	A47K 5/12 248/312
(72) Inventor: <b>Mauro Carvalho de Oliveira,</b>	D790,249 S * 6/2017 Park .....	D6/540
<b>Colombo (BR)</b>	10,039,423 B2 * 8/2018 Schultz .....	A47K 5/1204
	10,342,391 B2 * 7/2019 Beckerman .....	A47K 5/18
(73) Assignee: <b>Terra Brasilis Sabonetes E</b>	D905,466 S * 12/2020 Rossi .....	D6/545
<b>Cosmeticos Ltda, Colombo (BR)</b>	D906,007 S * 12/2020 Rossi .....	D6/545
	2015/0216301 A1 * 8/2015 Yates .....	A47B 81/005 211/70.8
(**) Term: <b>15 Years</b>	2016/0120307 A1 * 5/2016 Salani .....	B65D 25/54 206/776

(21) Appl. No.: **29/713,602**

\* cited by examiner

(22) Filed: **Nov. 18, 2019**

*Primary Examiner* — Nathan M Johnston

(30) **Foreign Application Priority Data**

(74) *Attorney, Agent, or Firm* — Bay State IP, LLC

Oct. 4, 2019 (BR) ..... 30 2019 004783 7

(51) **LOC (13) Cl.** ..... **06-04**

(52) **U.S. Cl.**  
USPC ..... **D6/545**

(58) **Field of Classification Search**  
USPC ..... D6/542-545; D9/682, 686, 688-691,  
D9/516, 549, 448, 435, 300  
CPC ..... A47K 5/12-1205; A47K 5/1211;  
B65D 1/40; B65D 23/0885; B65D  
2203/00; B65D 2501/0081; B05B  
11/0037; B05B 11/0097; B05B 11/3043;  
B05B 11/3045

See application file for complete search history.

(56) **References Cited**

**U.S. PATENT DOCUMENTS**

5,971,335 A *	10/1999 Perrin .....	A47K 5/12 248/311.2
6,820,770 B2 *	11/2004 Makino .....	A47K 5/12 222/180

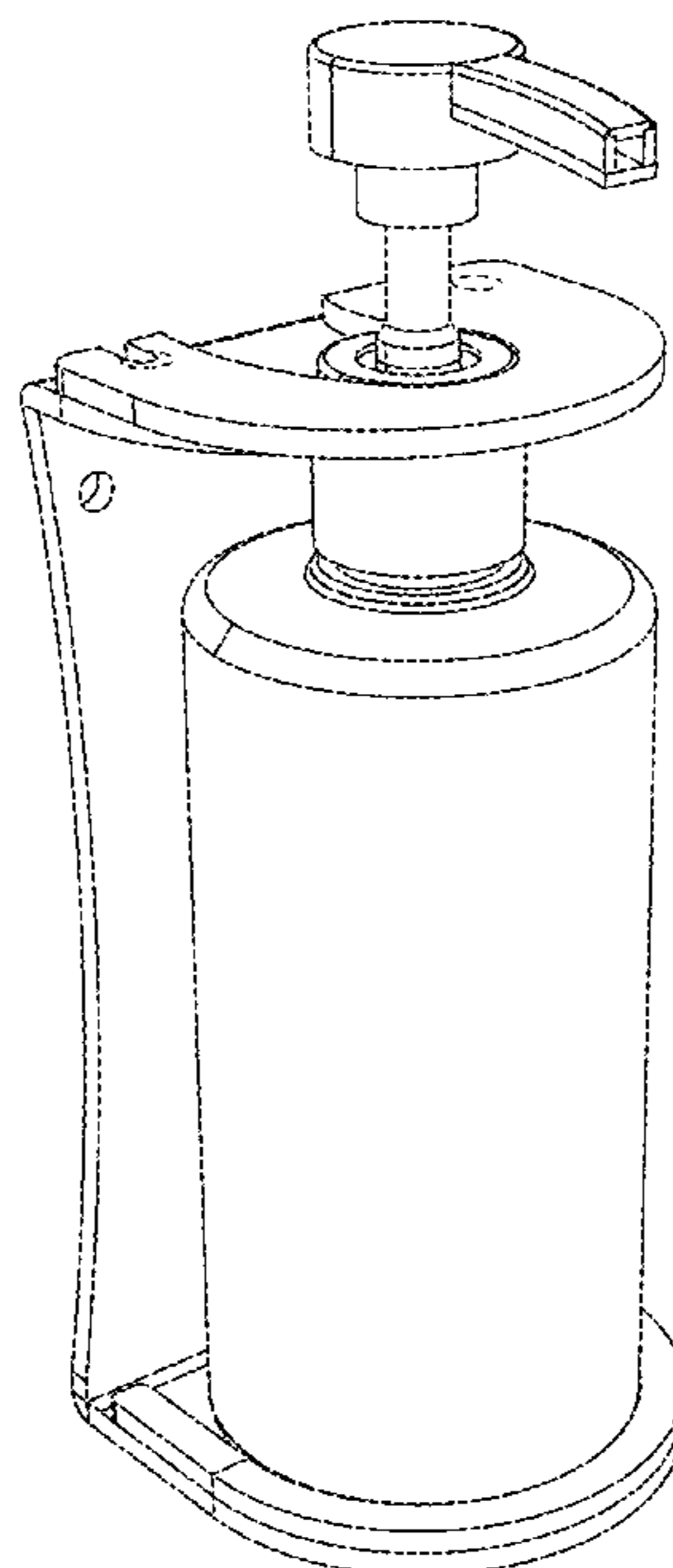
(57) **CLAIM**

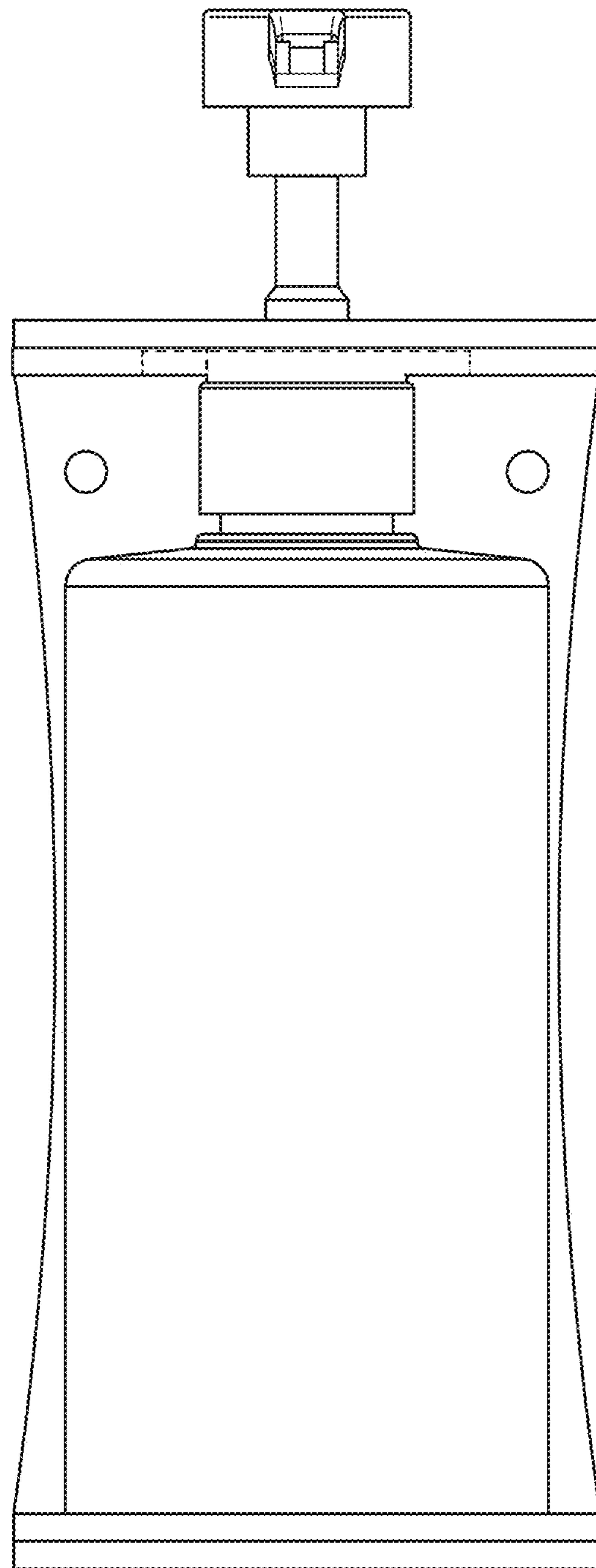
The ornamental design for a dispenser, as shown and described.

**DESCRIPTION**

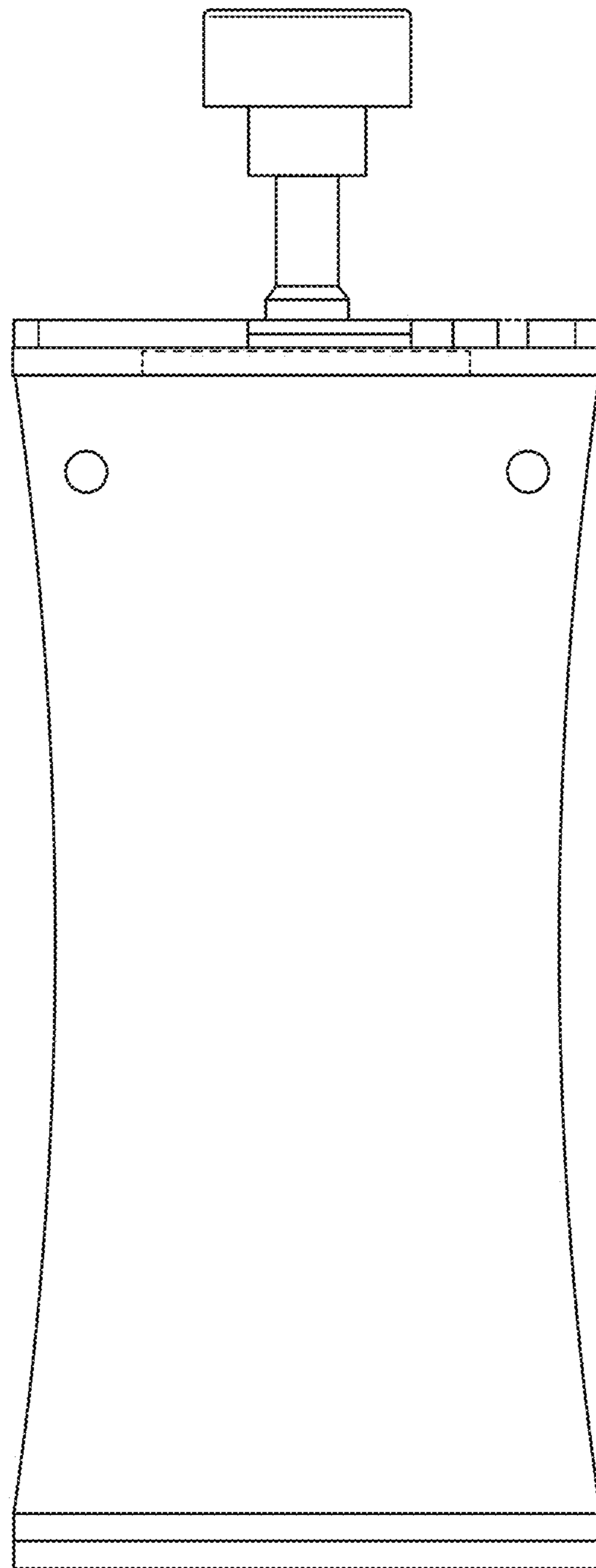
FIG. 1 is a front view of a dispenser showing my new design;  
FIG. 2 is a back view thereof;  
FIG. 3 is a left side view thereof;  
FIG. 4 is a right side view thereof;  
FIG. 5 is a top view thereof;  
FIG. 6 is a bottom view thereof; and,  
FIG. 7 is a front perspective view thereof.  
The broken lines in the drawings depict portions of the dispenser that form no part of the claimed design.

**1 Claim, 7 Drawing Sheets**

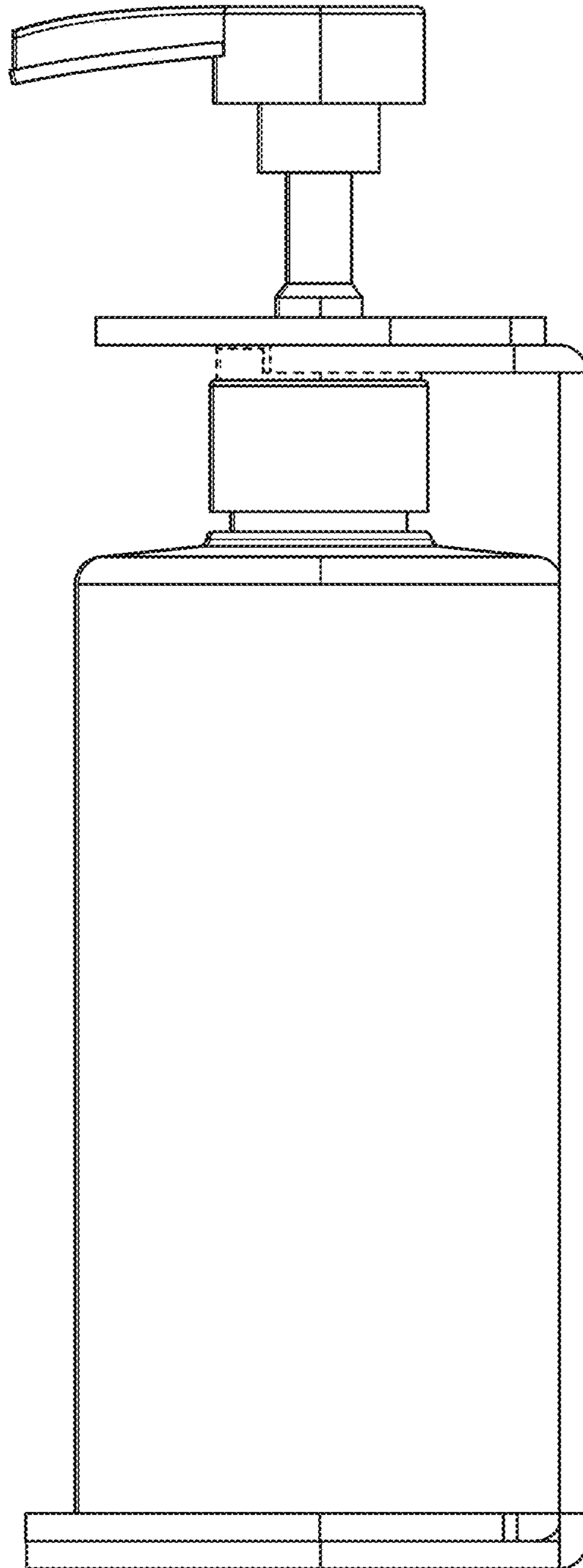




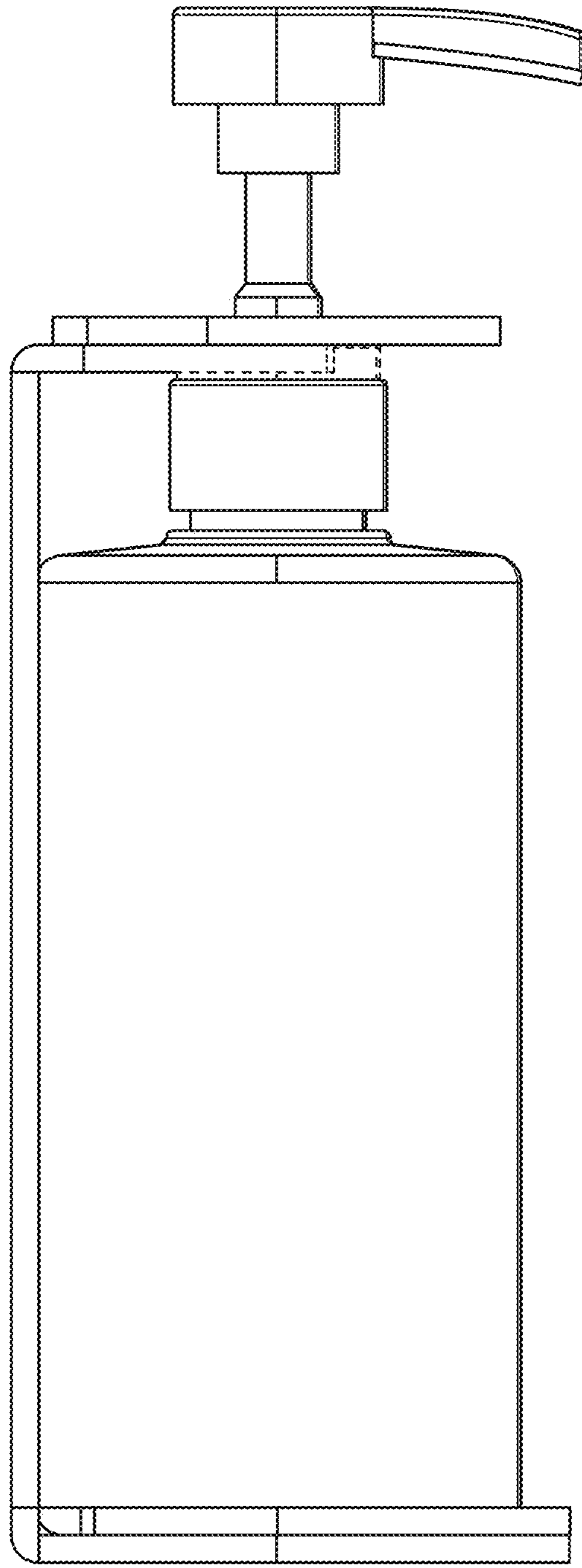
*Fig. 1*



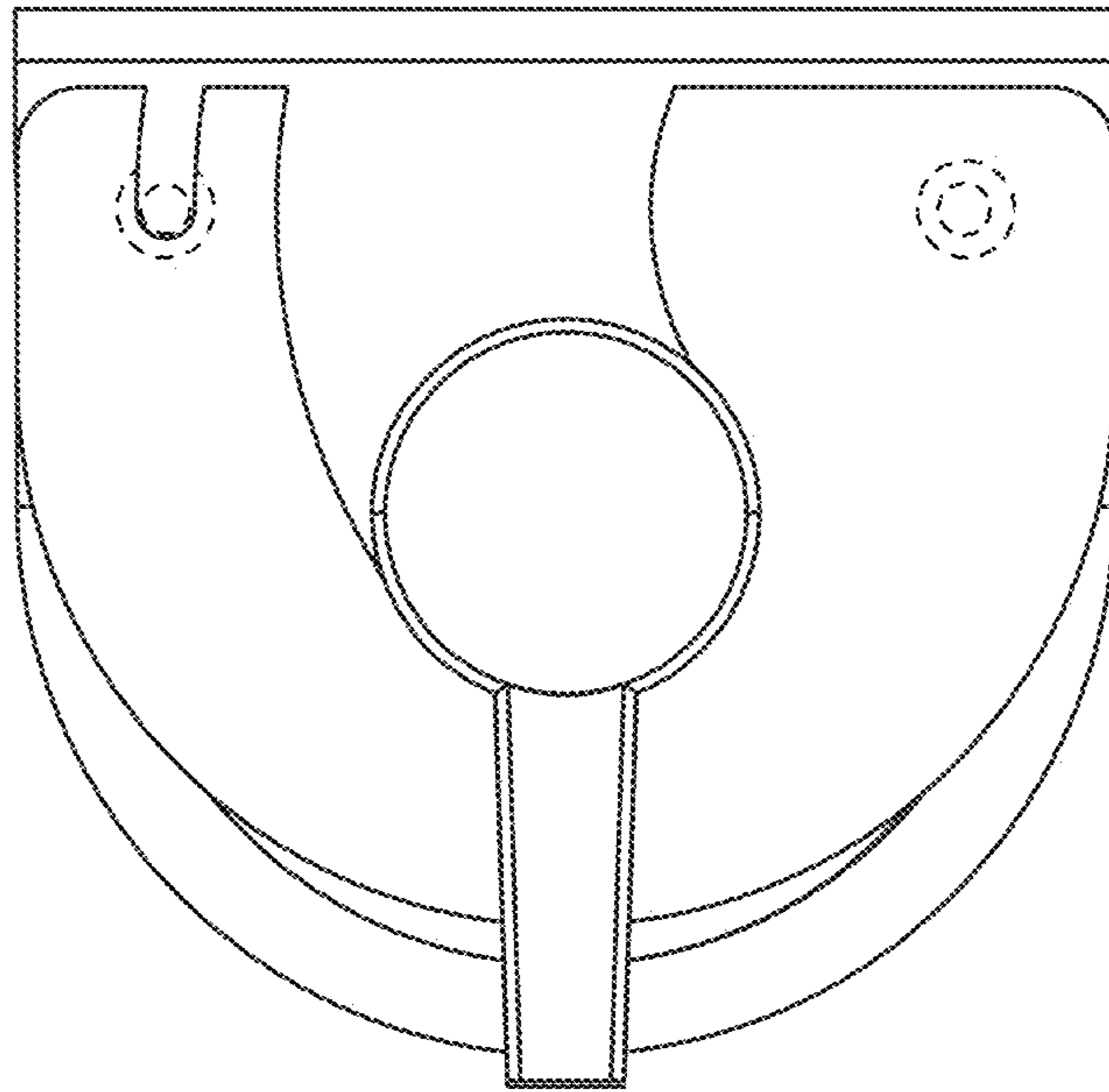
*Fig. 2*



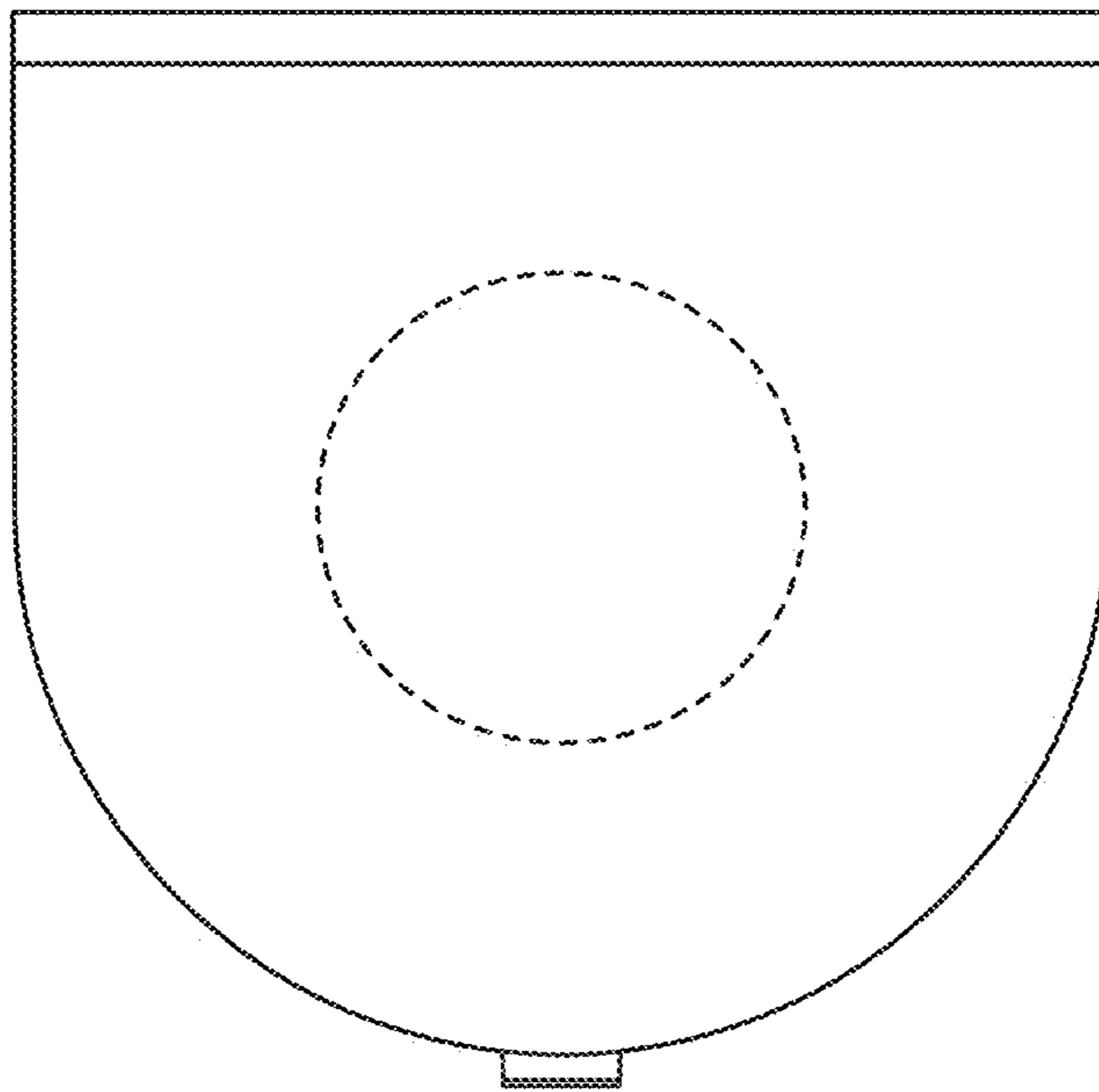
*Fig. 3*



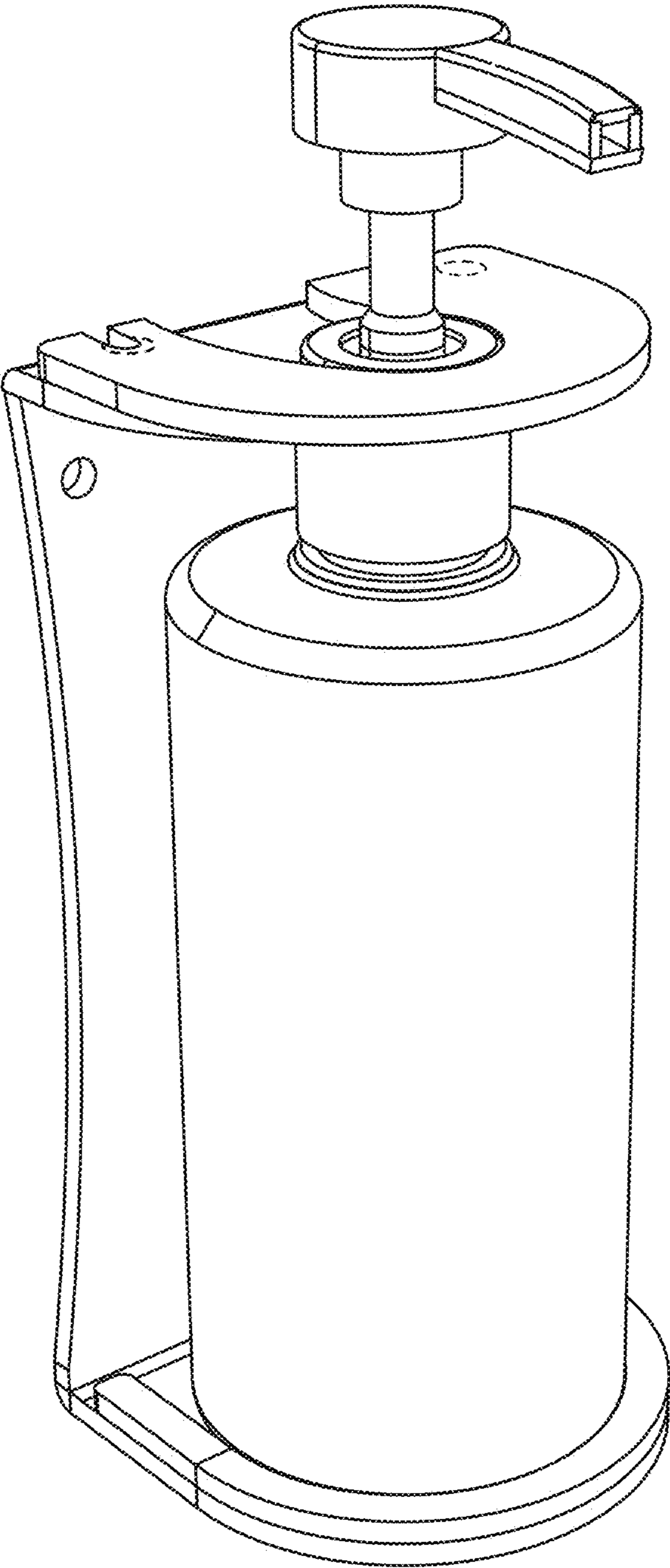
*Fig. 4*



*Fig. 5*



*Fig. 6*



*Fig. 7*