



US00D955778S

(12) **United States Design Patent**  
**Ghiorghie**

(10) **Patent No.:** **US D955,778 S**  
(45) **Date of Patent:** **\*\* Jun. 28, 2022**

- (54) **PLUNGER AND HOLDER SET**
- (71) Applicant: **InterDesign, Inc.**, Solon, OH (US)
- (72) Inventor: **Radu Alexandru Ghiorghie**, Copley, OH (US)
- (73) Assignee: **InterDesign, Inc.**, Solon, OH (US)
- (\*\*) Term: **15 Years**
- (21) Appl. No.: **29/806,546**
- (22) Filed: **Sep. 3, 2021**

D579,703 S *	11/2008	Nickelson	.....	D6/524
D621,190 S *	8/2010	Yoo	.....	D6/524
D688,489 S *	8/2013	Cohen	.....	E03C 1/308
				D6/524
8,510,874 B2 *	8/2013	Duboc	.....	E03D 9/00
				401/136
D860,555 S *	9/2019	de Martrin-Donos	.....	D4/137
2009/0106887 A1 *	4/2009	Dressel	.....	E03D 9/00
				4/255.11
2016/0017583 A1 *	1/2016	Petner	.....	E03C 1/308
				4/255.11
2017/0347846 A1 *	12/2017	Roll	.....	E03C 1/308

**Related U.S. Application Data**

- (63) Continuation of application No. 29/747,312, filed on Aug. 21, 2020, now Pat. No. Des. 929,768, which is a continuation of application No. 29/705,578, filed on Sep. 13, 2019, now Pat. No. Des. 895,319, which is a continuation of application No. 29/673,653, filed on Dec. 17, 2018, now Pat. No. Des. 862,949, which is a continuation of application No. 29/595,931, filed on Mar. 3, 2017, now Pat. No. Des. 838,508.
- (51) **LOC (13) Cl.** ..... **06-04**
- (52) **U.S. Cl.**  
USPC ..... **D6/524**
- (58) **Field of Classification Search**  
USPC ..... D6/551, 525, 524; 206/207, 349, 361;  
312/206, 207; 4/255.05, 255.11  
CPC ..... A47K 17/00; E03C 1/308  
See application file for complete search history.

**References Cited**

**U.S. PATENT DOCUMENTS**

D449,951 S *	11/2001	Schmidt	.....	D6/524
D452,401 S *	12/2001	Schmidt	.....	D6/524
6,434,760 B1 *	8/2002	Montalvo	.....	E03C 1/308
				4/255.05
7,017,197 B1 *	3/2006	Williams	.....	E03C 1/308
				4/255.11
D525,064 S *	7/2006	Williams	.....	D6/524

**OTHER PUBLICATIONS**

iDesign website, Kent Plunger Capsule in bronce, Feb. 4, 2022, [https://idesignlivesimply.com/products/93350-kent-plunger-capsule-bronze?\\_pos=3&\\_sid=15c5e2543&\\_ss=r](https://idesignlivesimply.com/products/93350-kent-plunger-capsule-bronze?_pos=3&_sid=15c5e2543&_ss=r) (Year: 2022).\*

\* cited by examiner

*Primary Examiner* — Nathan M Johnston  
(74) *Attorney, Agent, or Firm* — Calfee, Halter & Griswold LLP

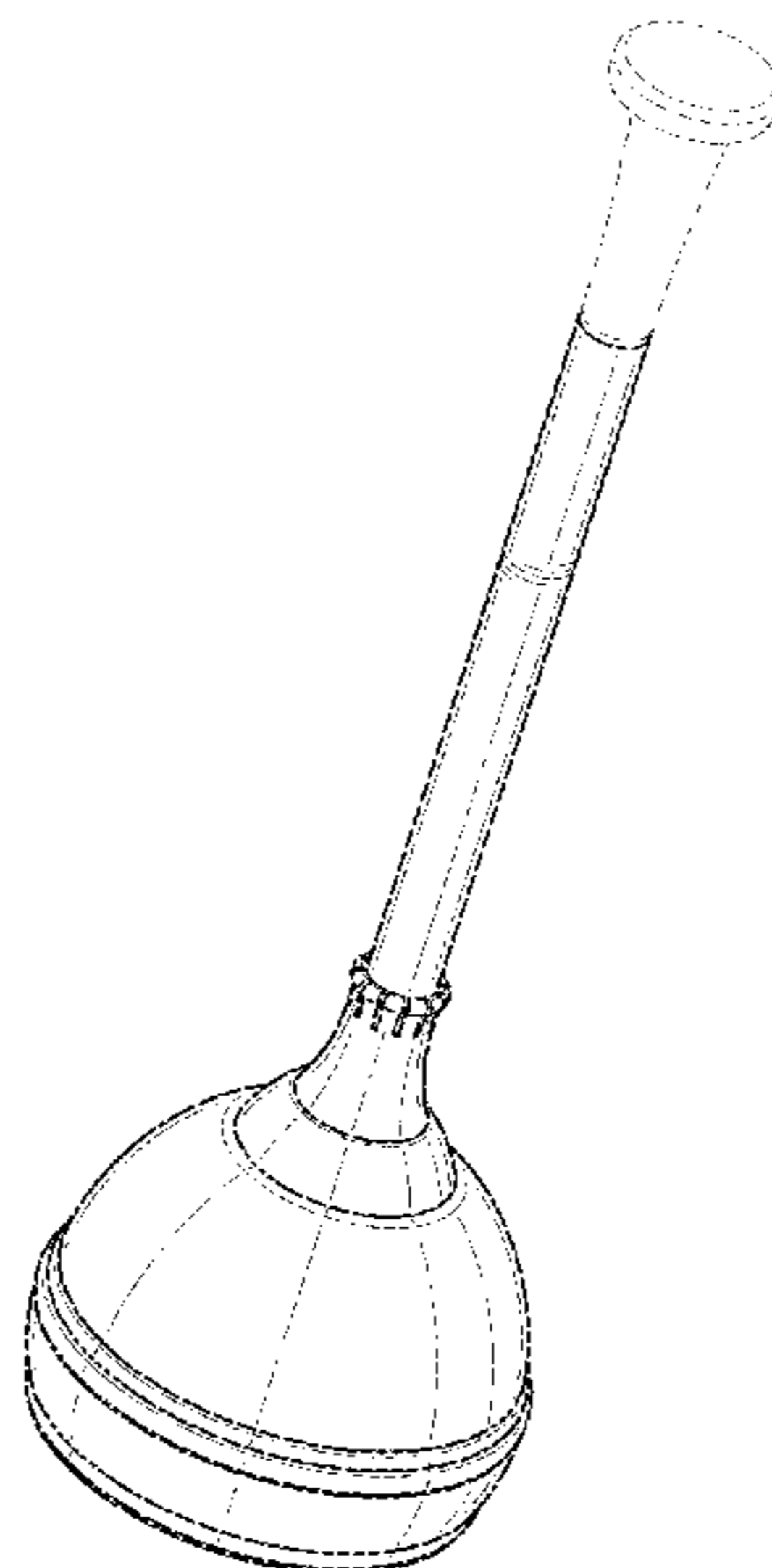
(57) **CLAIM**

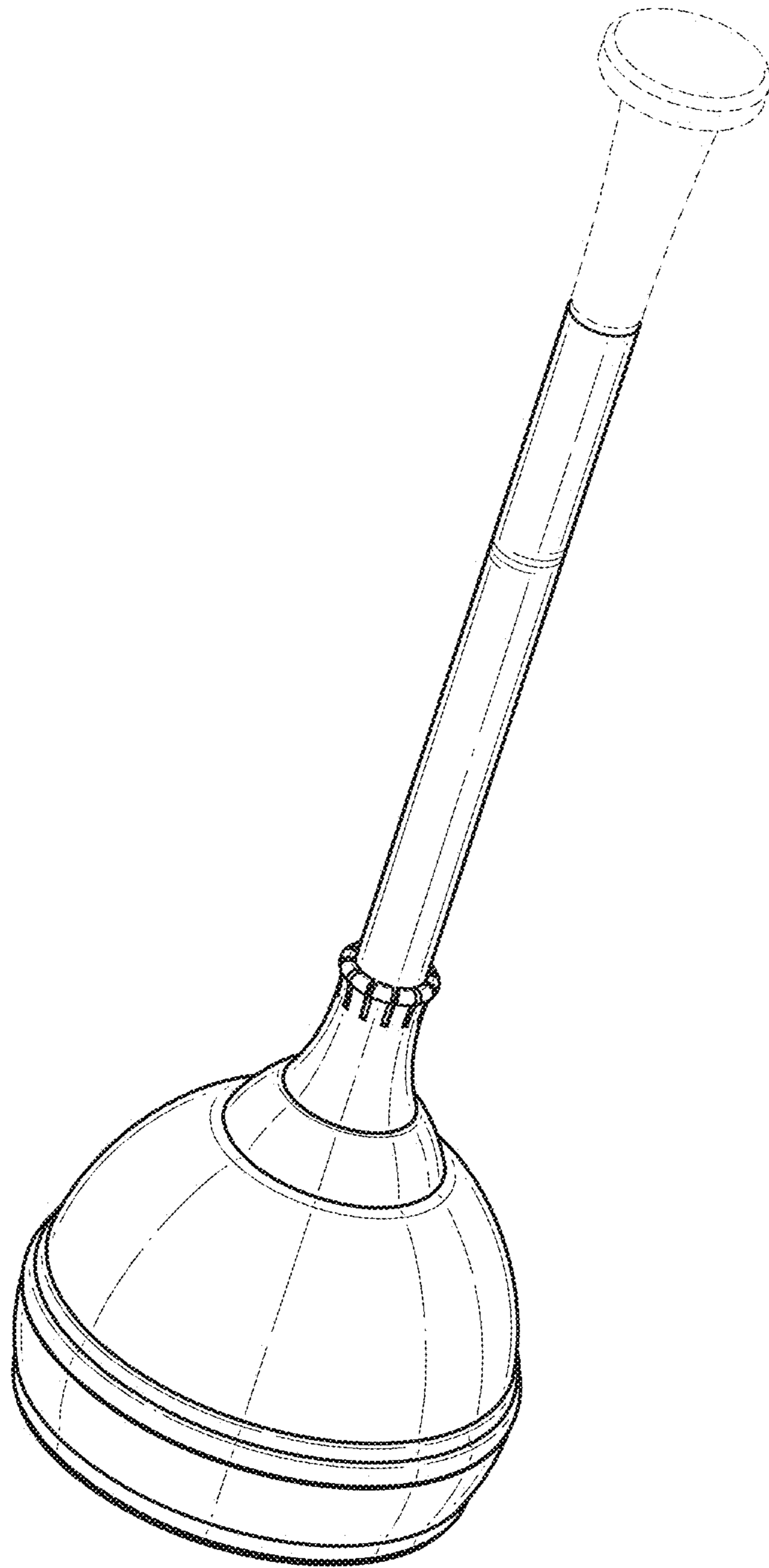
The ornamental design for a plunger and holder set, as shown and described.

**DESCRIPTION**

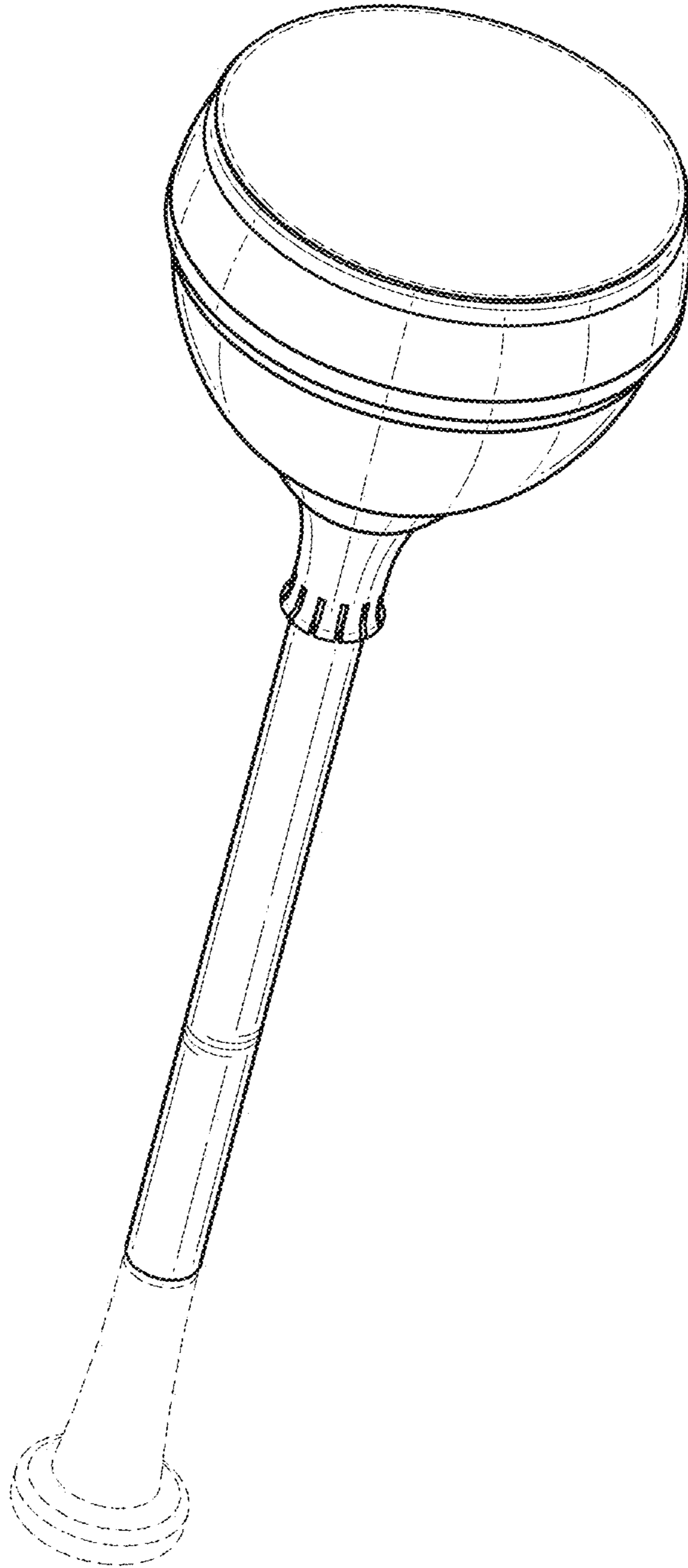
FIG. 1 is a front/right/top perspective view of a plunger and holder set (a front/left/top perspective view would be a mirror image thereof); FIG. 2 is a rear/left/bottom perspective view thereof (a rear/right/bottom perspective view would be a mirror image thereof); FIG. 3 is a front elevational view thereof; FIG. 4 is a top plan view thereof; and, FIG. 5 is a bottom plan view thereof. The broken lines show portions of the plunger and holder set that form no part of the claimed design.

**1 Claim, 3 Drawing Sheets**

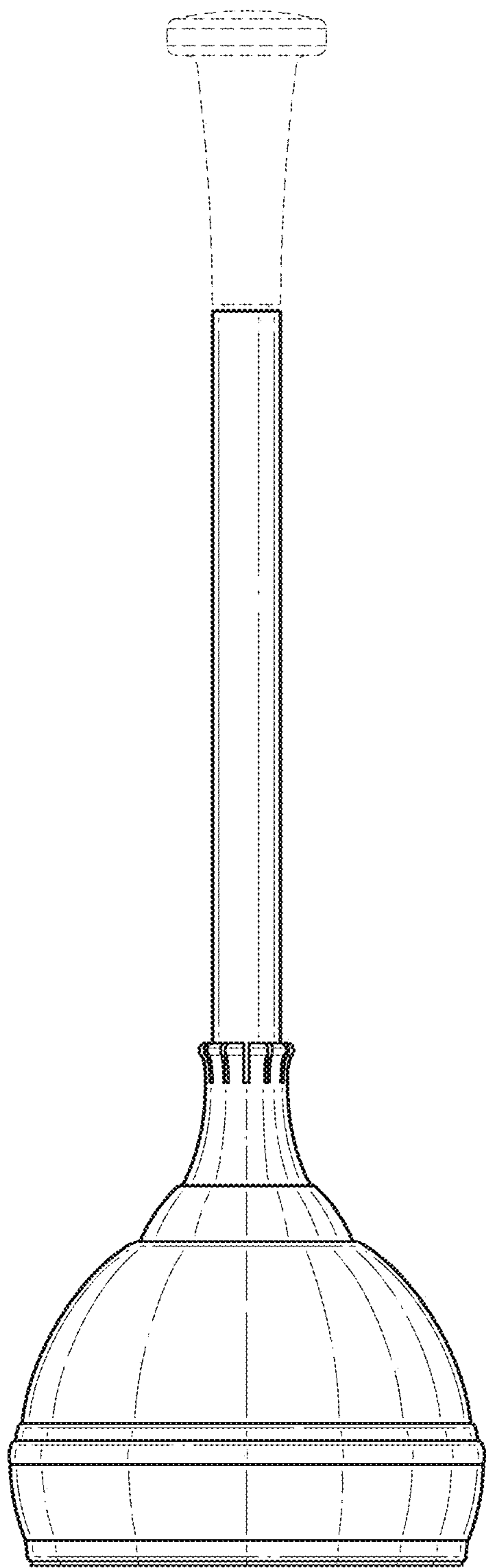




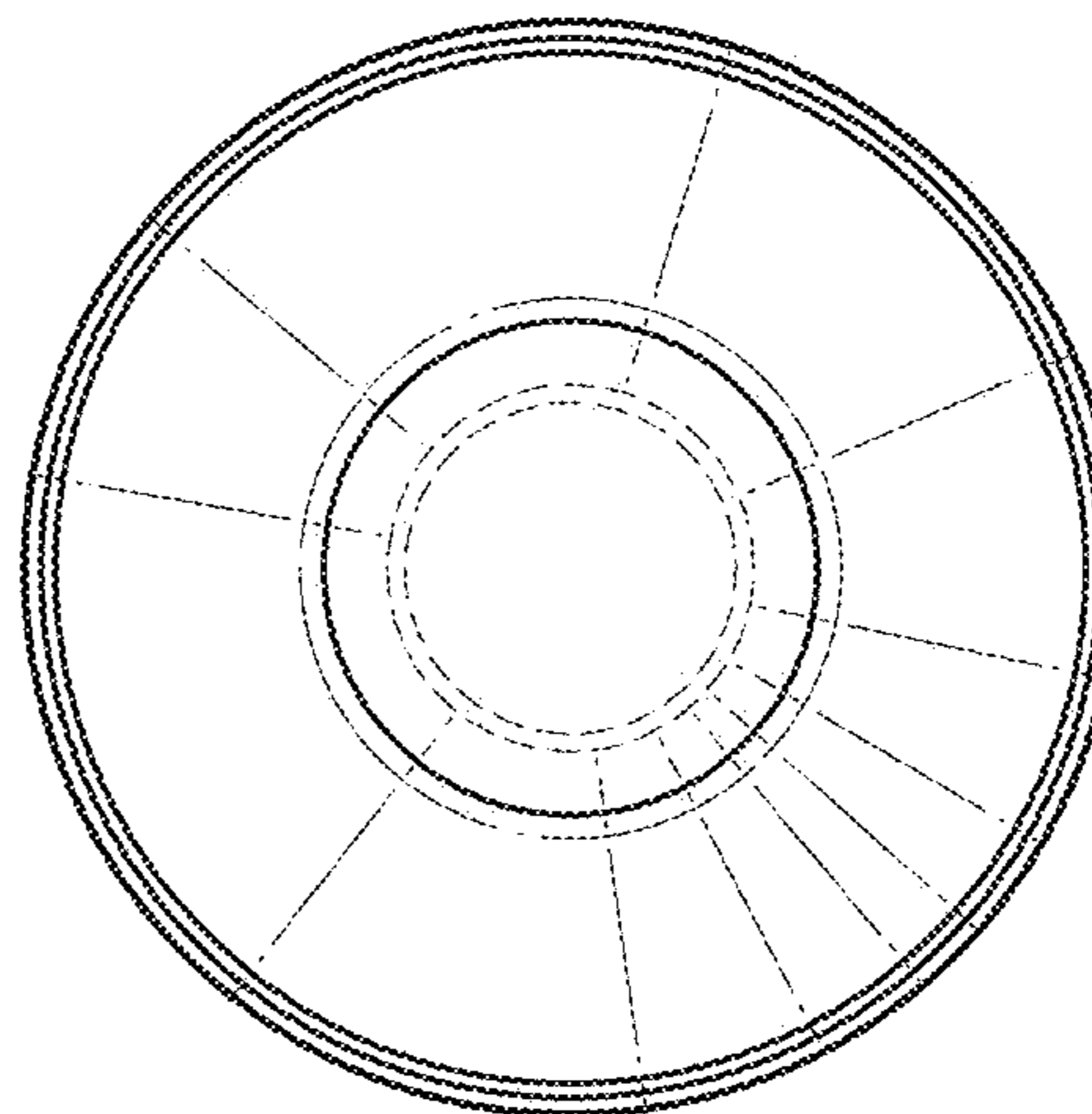
**FIG. 1**



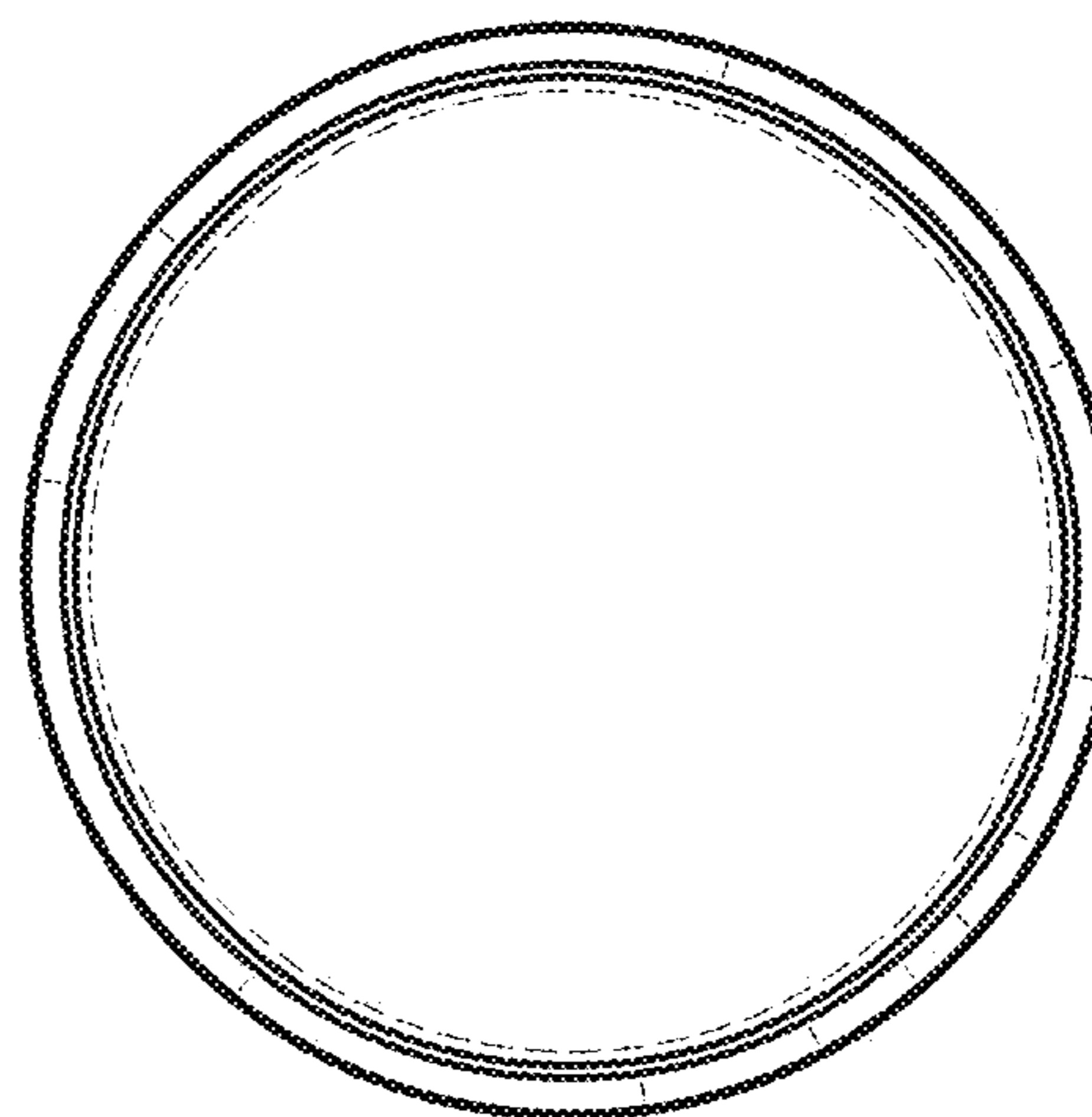
**FIG. 2**



**FIG. 3**



**FIG. 4**



**FIG. 5**