



US00D955777S

(12) **United States Design Patent**
Johnson et al.

(10) **Patent No.:** **US D955,777 S**
(45) **Date of Patent:** **** Jun. 28, 2022**

(54) **DINING TRAY WITH A COLLAPSIBLE STAND**

(71) Applicants: **Mya Johnson**, Atlantis, FL (US); **Dick Mendel Olivier**, Boynton Beach, FL (US)

(72) Inventors: **Mya Johnson**, Atlantis, FL (US); **Dick Mendel Olivier**, Boynton Beach, FL (US)

(**) Term: **15 Years**

(21) Appl. No.: **29/735,581**

(22) Filed: **May 22, 2020**

(51) **LOC (13) Cl.** **06-06**

(52) **U.S. Cl.**

USPC **D6/406.5**

(58) **Field of Classification Search**

USPC D6/406.1–406.6, 421–422; D19/91–92; D7/552.2, 554.3–554.4

CPC A47G 23/00; A47G 23/06; A47G 23/0608; A47G 23/08; A47G 23/0625; A47B 3/002; A47B 3/02; A47B 2003/008; A47B 17/00; A47B 21/00; A47B 21/04; A47B 23/00; A47B 23/001; A47B 23/002; A47B 2023/049; A47B 13/00; A47B 13/14

See application file for complete search history.

(56) **References Cited**

U.S. PATENT DOCUMENTS

2,640,747	A *	6/1953	Bodenhoff	A47B 23/00 248/444
D301,820	S *	6/1989	Wasserman	D6/406.6
D305,015	S *	12/1989	Roche	D12/133
D308,450	S *	6/1990	Harris	D6/406.6
5,081,936	A *	1/1992	Drieling	B60N 3/002 108/25
D336,407	S *	6/1993	Harding	D7/553.4
D353,276	S *	12/1994	Foran	D19/113
D372,612	S *	8/1996	Credle, Sr.	D6/406.3

D374,798	S *	10/1996	Pippins, Jr.	D6/406.3
5,862,933	A *	1/1999	Neville	A47B 23/002 220/17.1
D573,940	S *	7/2008	Heneghan	D12/425
D710,123	S *	8/2014	Wright	D6/406.3
D923,378	S *	6/2021	Wanner	D6/707.22
2014/0346764	A1 *	11/2014	Lee	B43L 1/00 281/45

* cited by examiner

Primary Examiner — Kelley A Donnelly

(74) *Attorney, Agent, or Firm* — Derek Fahey, Esq.; The IP Plus Firm, PLLC

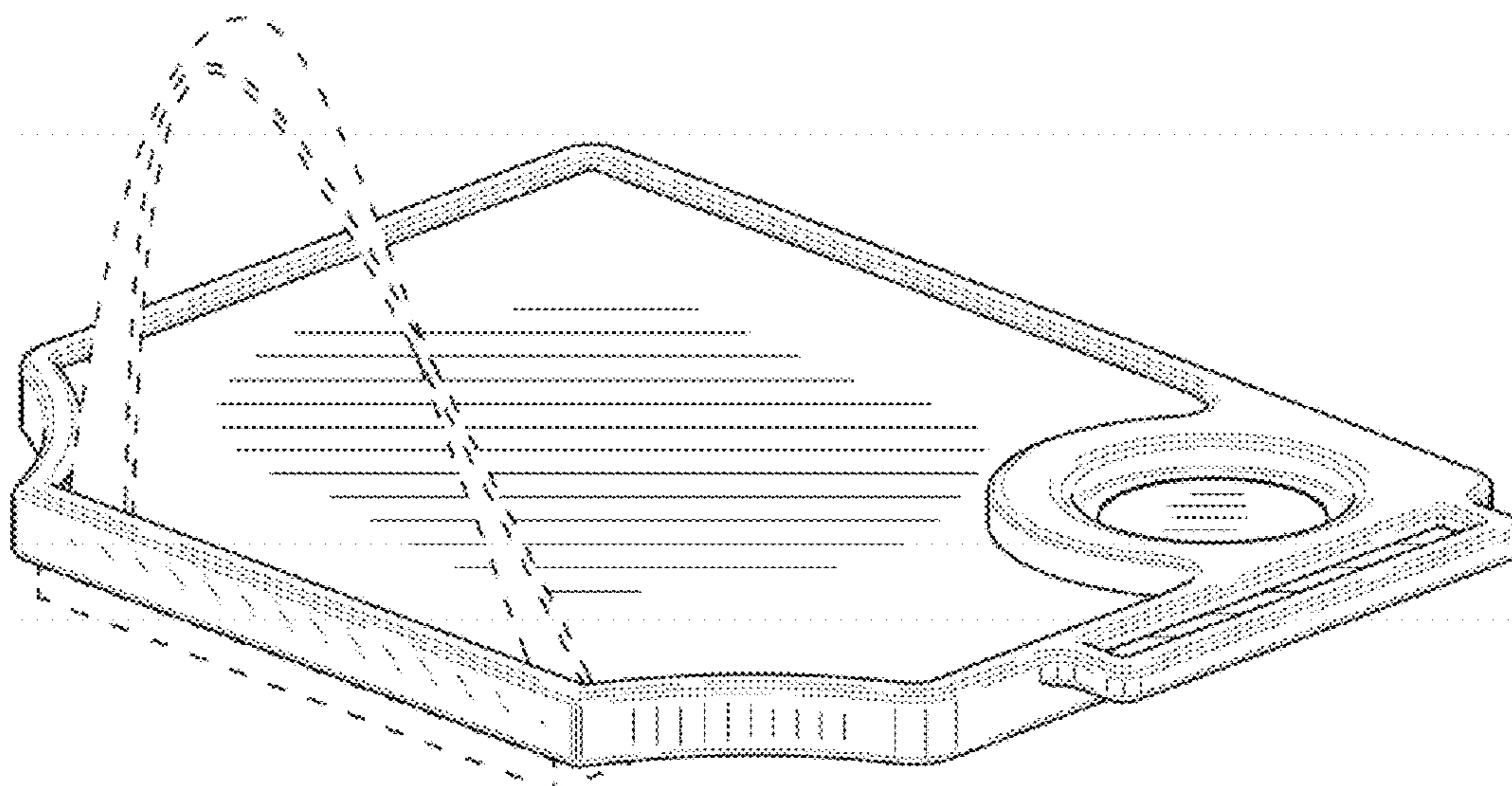
(57) **CLAIM**

The ornamental design for a dining tray with a collapsible stand, as shown and described.

DESCRIPTION

FIG. 1 is a top perspective view of the dining tray with a collapsible stand in a collapsed configuration; FIG. 2 is a top view of the dining tray with the collapsible stand; FIG. 3 is a bottom view of the dining tray with the collapsible stand in the collapsed configuration; FIG. 4 is a bottom view of the dining tray with the collapsible stand in an extended configuration; FIG. 5 is a first side view of the dining tray with the collapsible stand in the collapsed configuration; FIG. 6 is a first side view of the dining tray with the collapsible stand in the extended configuration; FIG. 7 is a second side view of the dining tray with the collapsible stand in the collapsed configuration; FIG. 8 is a front view of the dining tray with the collapsible stand in the collapsed configuration; and, FIG. 9 is a rear view of the dining tray with the collapsible stand in the collapsed configuration. The dashed or broken lines illustrate the straps and stand of the dining tray and form no part of the claimed design.

1 Claim, 5 Drawing Sheets



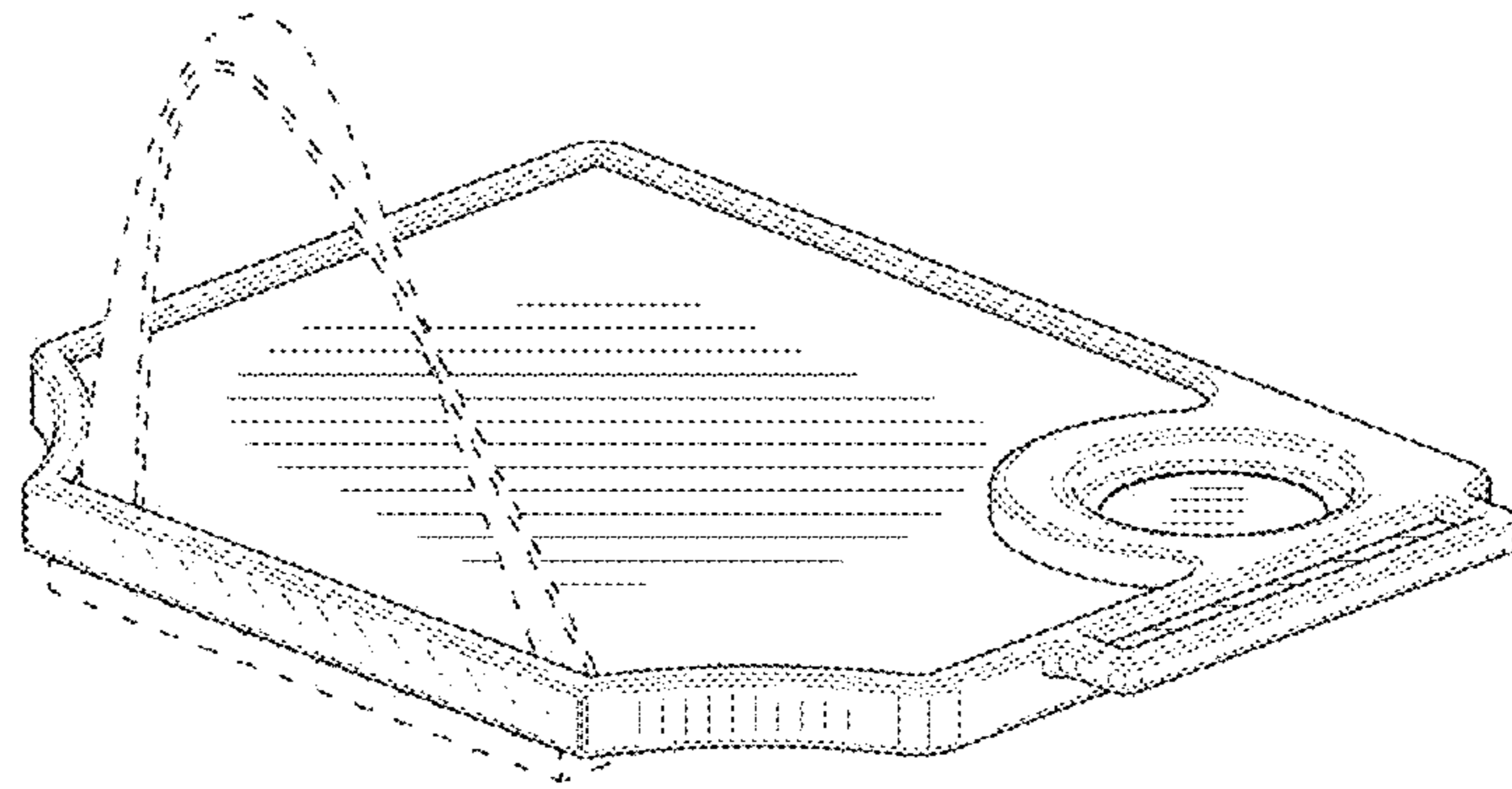


Fig. 1

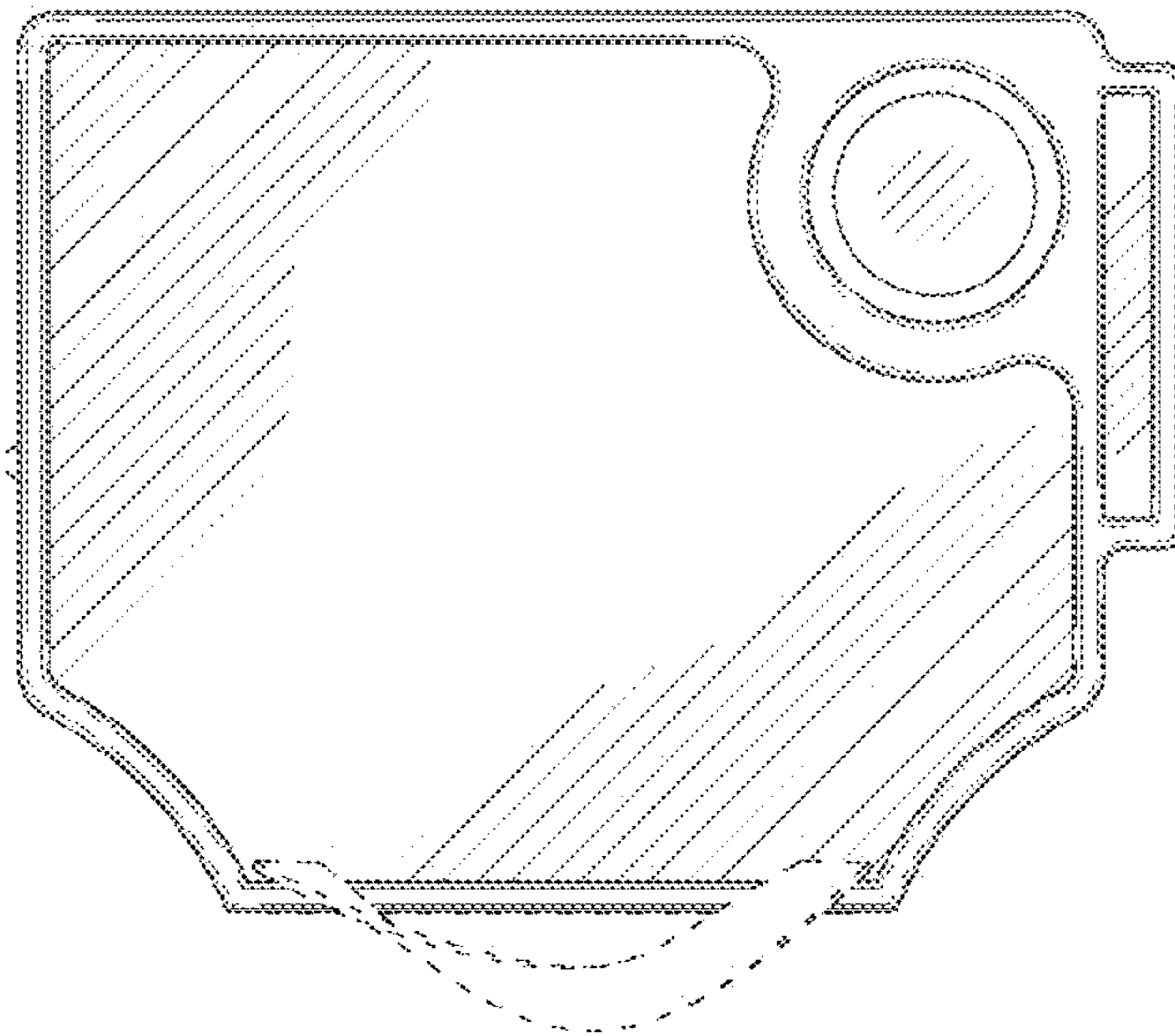


Fig. 2

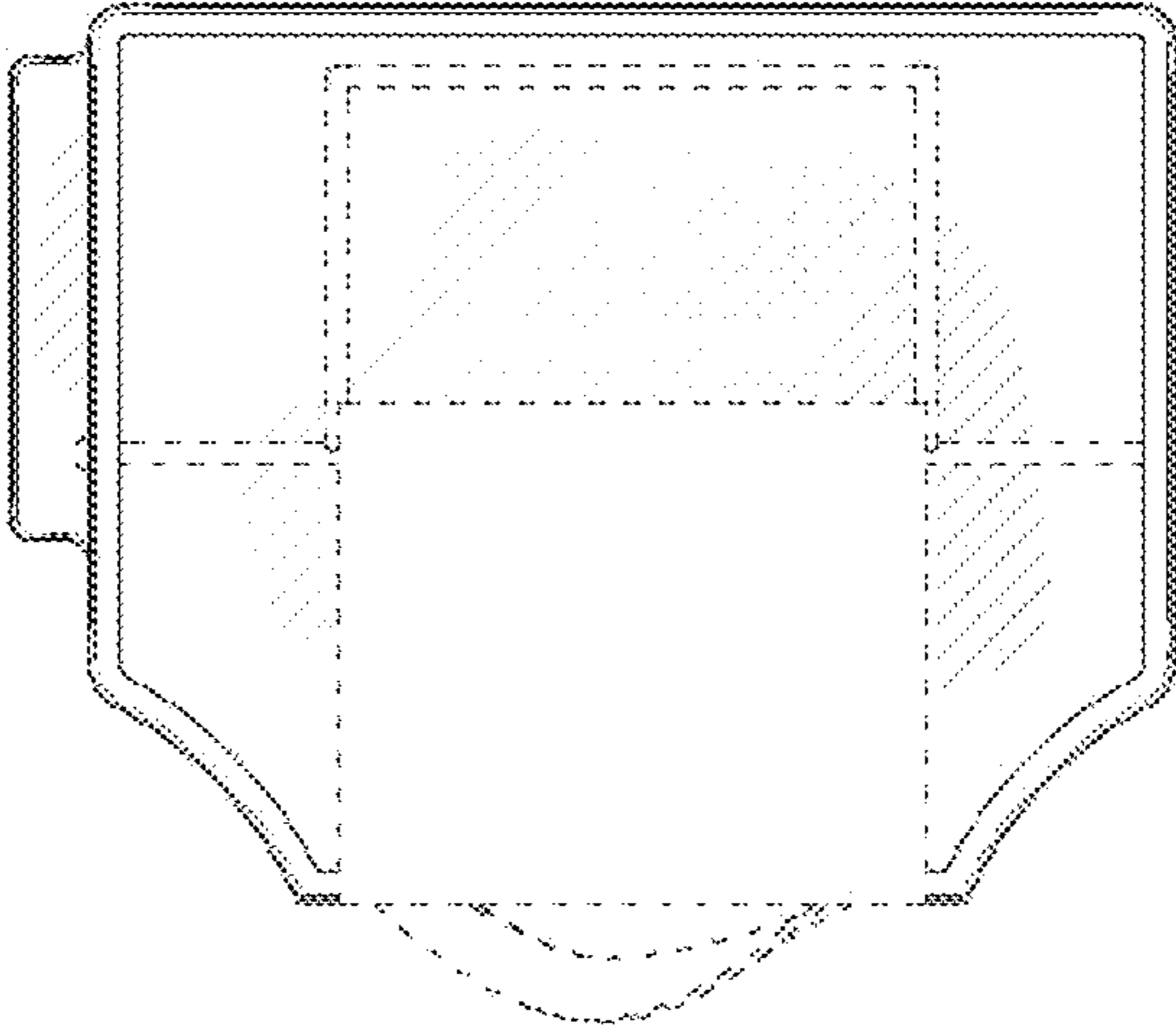


Fig. 3

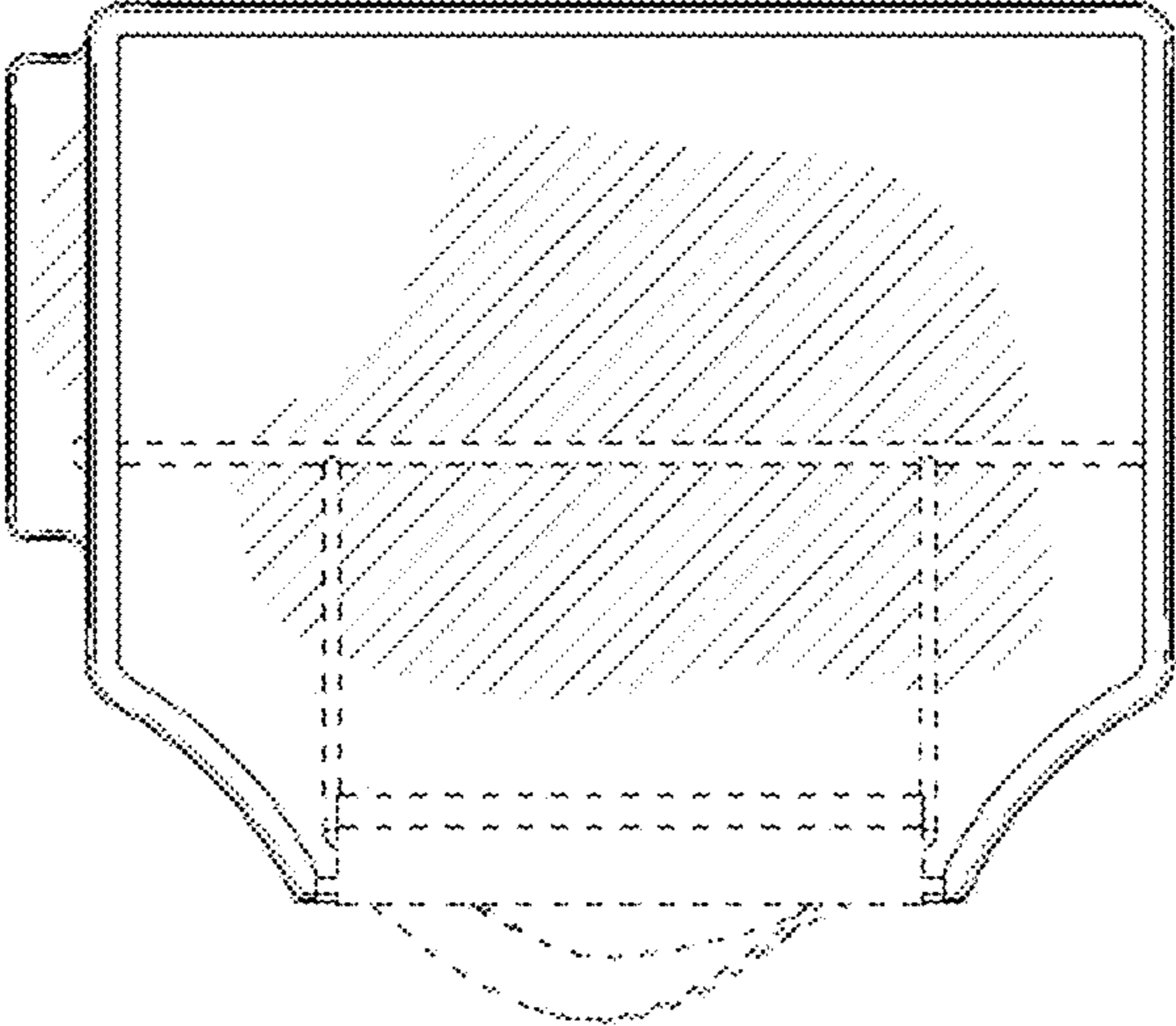


Fig. 4

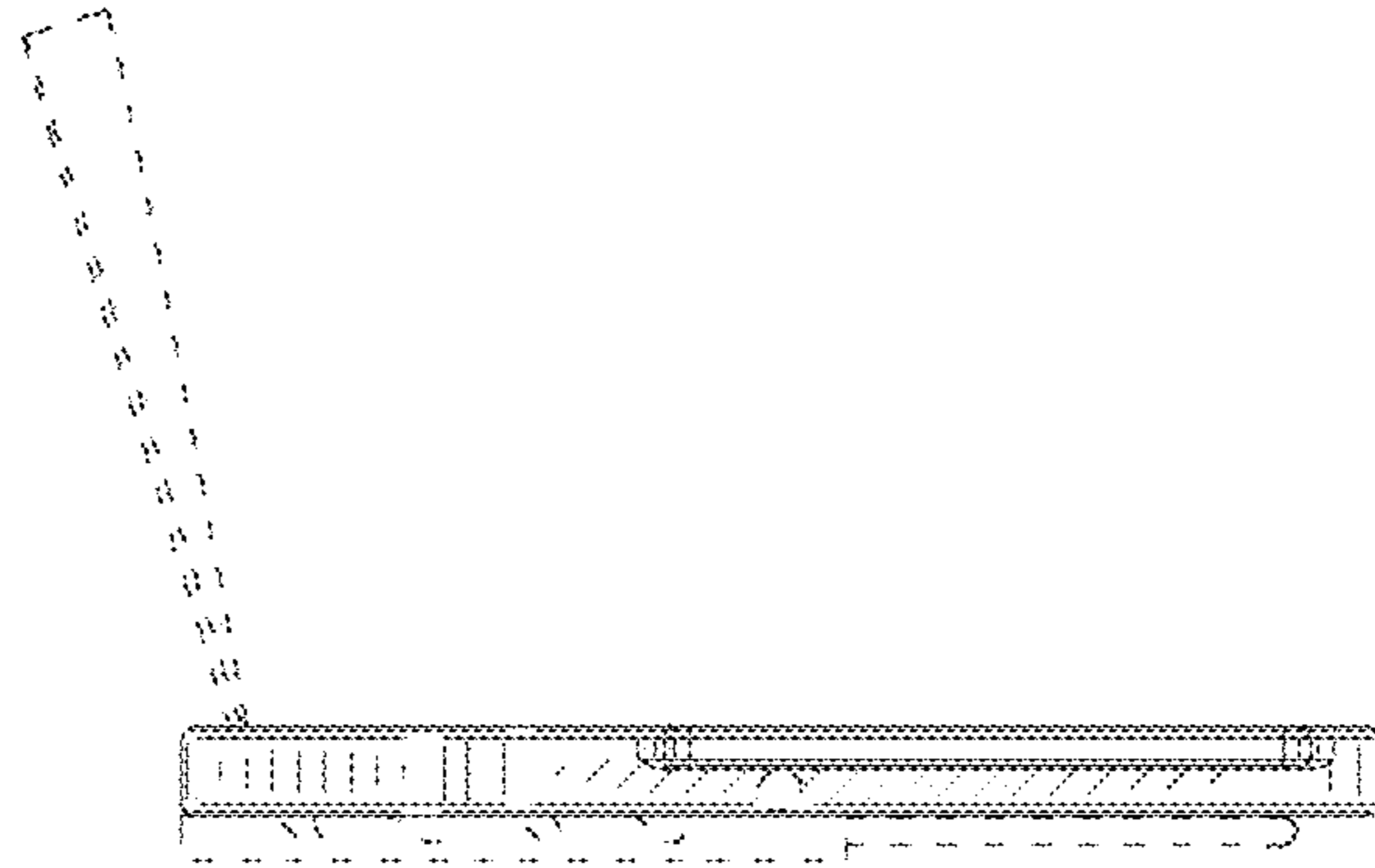


Fig. 5

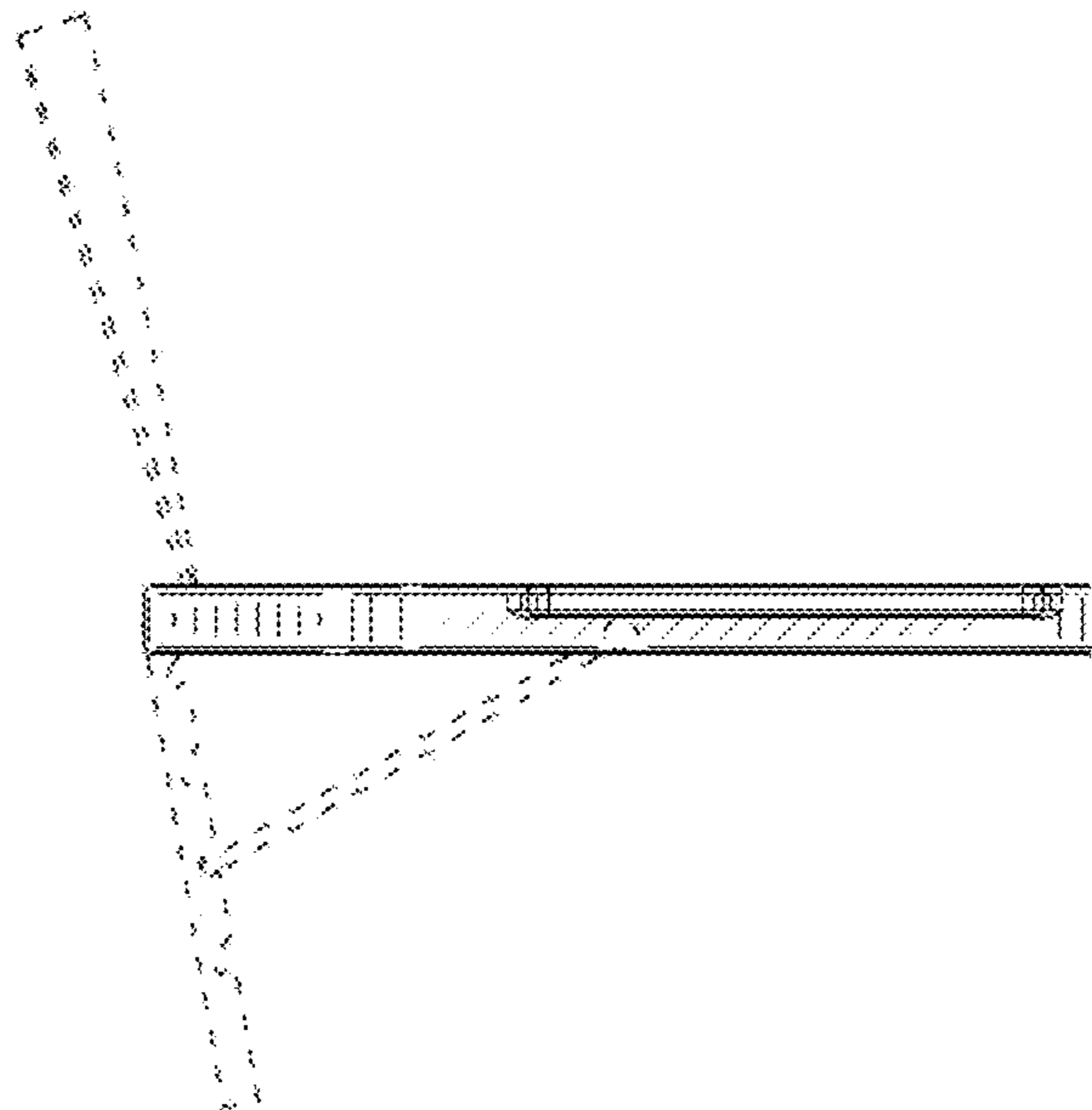


Fig. 6

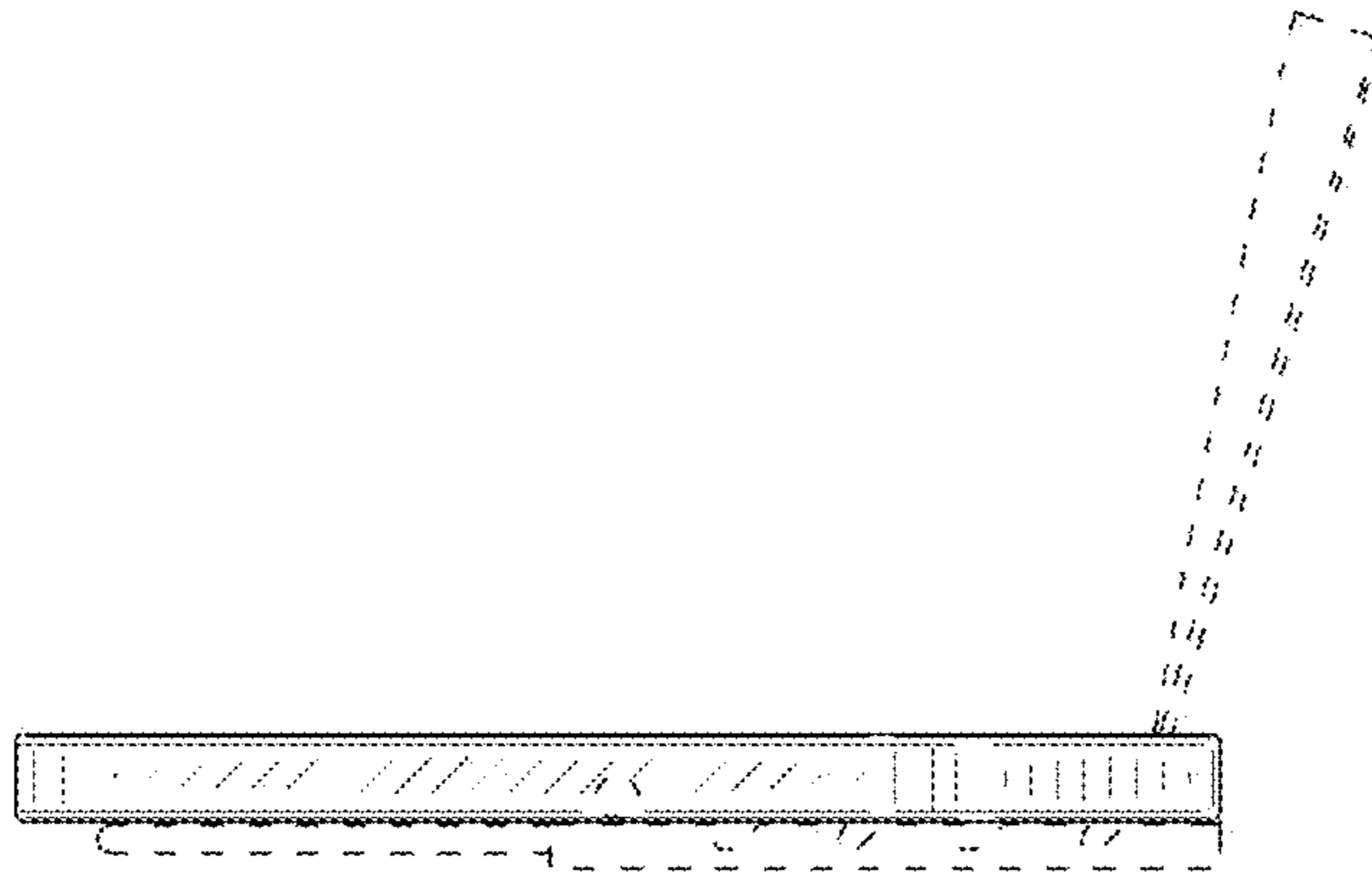


Fig. 7

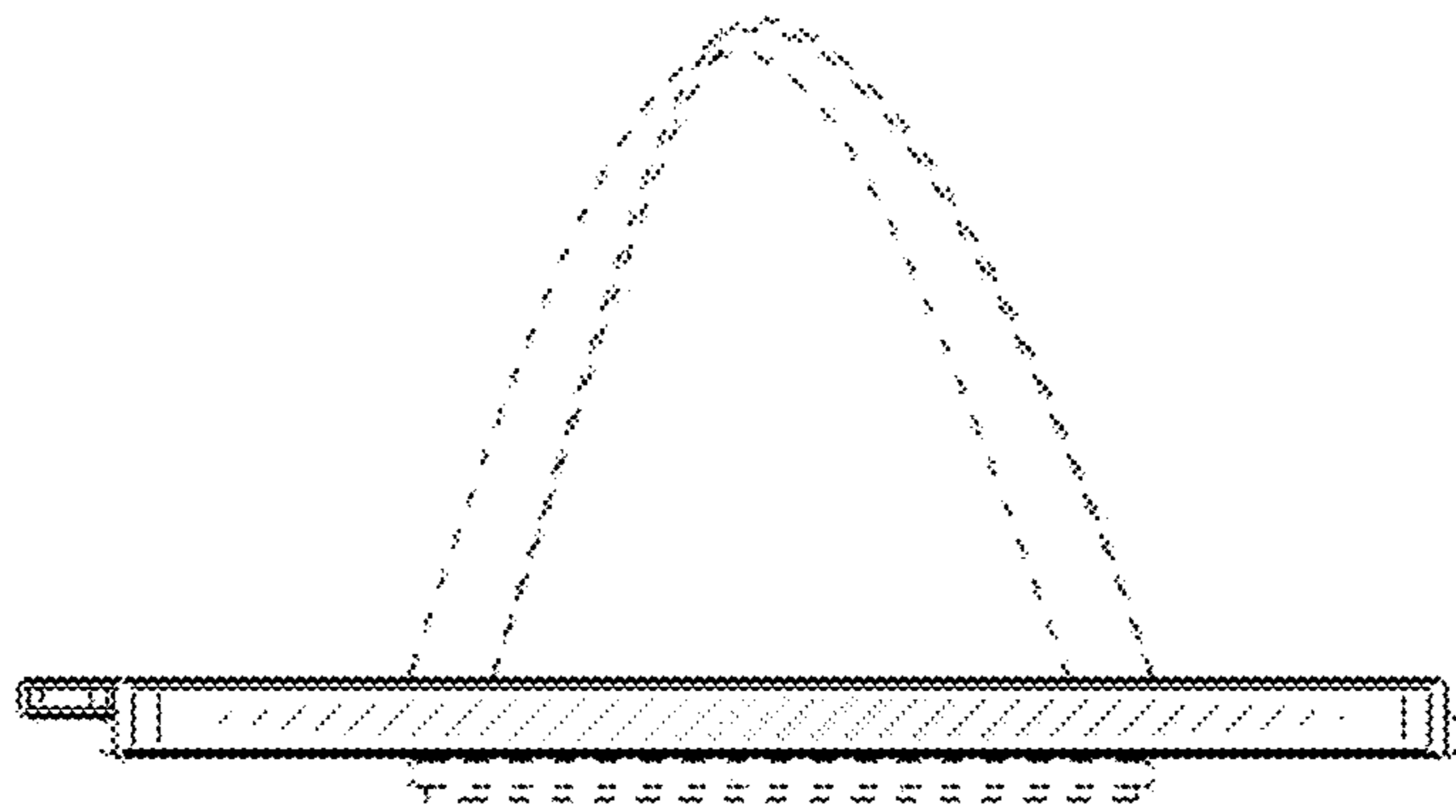


Fig. 8

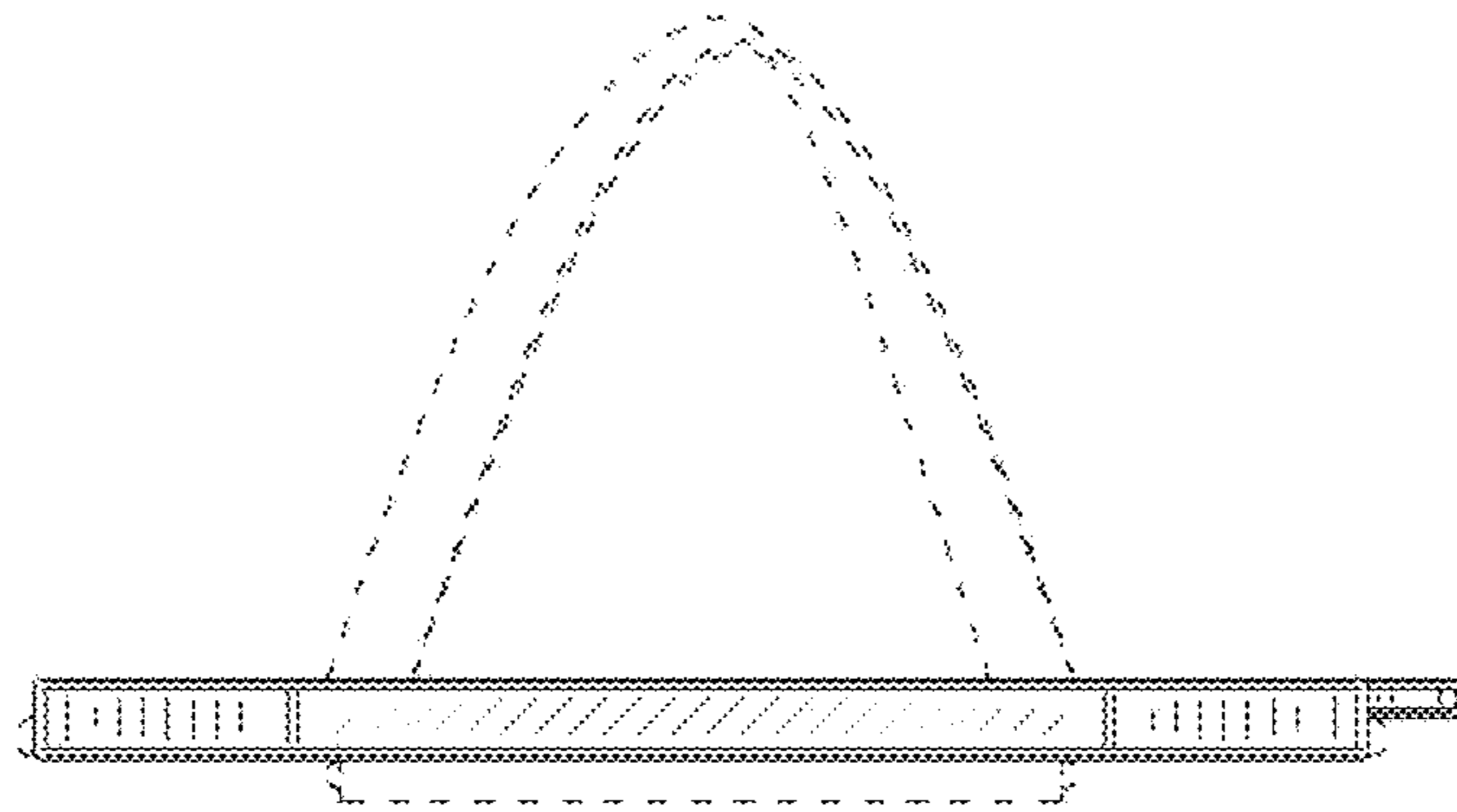


Fig. 9