



US00D955776S

(12) **United States Design Patent**
Leng

(10) **Patent No.:** **US D955,776 S**
(45) **Date of Patent:** **** Jun. 28, 2022**

(54) **ADJUSTABLE AND COLLAPSIBLE BED FRAME**

(71) Applicant: **NEW-TEC INTEGRATION (XIAMEN) CO., LTD.**, Fujian (CN)

(72) Inventor: **Luhao Leng**, Fujian (CN)

(73) Assignee: **NEW-TEC INTEGRATION (XIAMEN) CO., LTD.**, Xiamen (CN)

(**) Term: **15 Years**

(21) Appl. No.: **29/734,456**

(22) Filed: **May 12, 2020**

(30) **Foreign Application Priority Data**

Nov. 14, 2019 (CN) 201930628288.0

(51) **LOC (13) Cl.** **06-02**

(52) **U.S. Cl.**
USPC **D6/392; D6/382**

(58) **Field of Classification Search**
USPC D6/382, 383, 392, 393, 394, 395, 595,
D6/596, 604-605

(Continued)

(56) **References Cited**

U.S. PATENT DOCUMENTS

D458,767 S * 6/2002 Baeriswyl D6/382
6,415,465 B1 * 7/2002 Harrow A47C 19/027
5/184

(Continued)

OTHER PUBLICATIONS

Zinus Michelle Compack Adjustable Steel Bed Frame, available in Amazon.com, date first available Sep. 17, 2021 [online], Retrieved on Dec. 15, 2021 from URL: <https://www.amazon.com/Zinus-Compack-Adjustable-Spring-Mattress/dp/B015IHMK5C/> (Year: 2021).*

(Continued)

Primary Examiner — Vy N Koenig

Assistant Examiner — Michelle M Reeves

(74) *Attorney, Agent, or Firm* — Perkins Coie LLP;
Kenneth H. Ohriner

(57) **CLAIM**

The ornamental design for an adjustable and collapsible bed frame, as shown and described.

DESCRIPTION

FIG. 1 is a top, front and left side perspective view of the adjustable and collapsible bed frame adjusted to a first width;

FIG. 2 is a top view of the bed frame shown in FIG. 1.

FIG. 3 is a bottom view of the bed frame shown in FIG. 1.

FIG. 4 is a left side view of the bed frame shown in FIG. 1.

FIG. 5 is a right side view of the bed frame shown in FIG. 1.

FIG. 6 is a rear view of the bed frame shown in FIG. 1.

FIG. 7 is front view of the bed frame shown in FIG. 1.

FIG. 8 is an enlarged detailed view of the encircled portion marked "8" in FIG. 1.

FIG. 9 is an enlarged detailed view of the encircled portion marked "9" in FIG. 1.

FIG. 10 is an enlarged detailed view of the encircled portion marked "10" in FIG. 1.

FIG. 11 is an enlarged detailed view of the encircled portion marked "11" in FIG. 1.

FIG. 12 is an enlarged detailed view of the encircled portion marked "12" in FIG. 1.

FIG. 13 is an enlarged detailed view of the encircled portion marked "13" in FIG. 1.

FIG. 14 is a perspective view of the adjustable and collapsible bed frame of FIG. 1 now adjusted to a second width.

FIG. 15 is a top view of the bed frame as shown in FIG. 14.

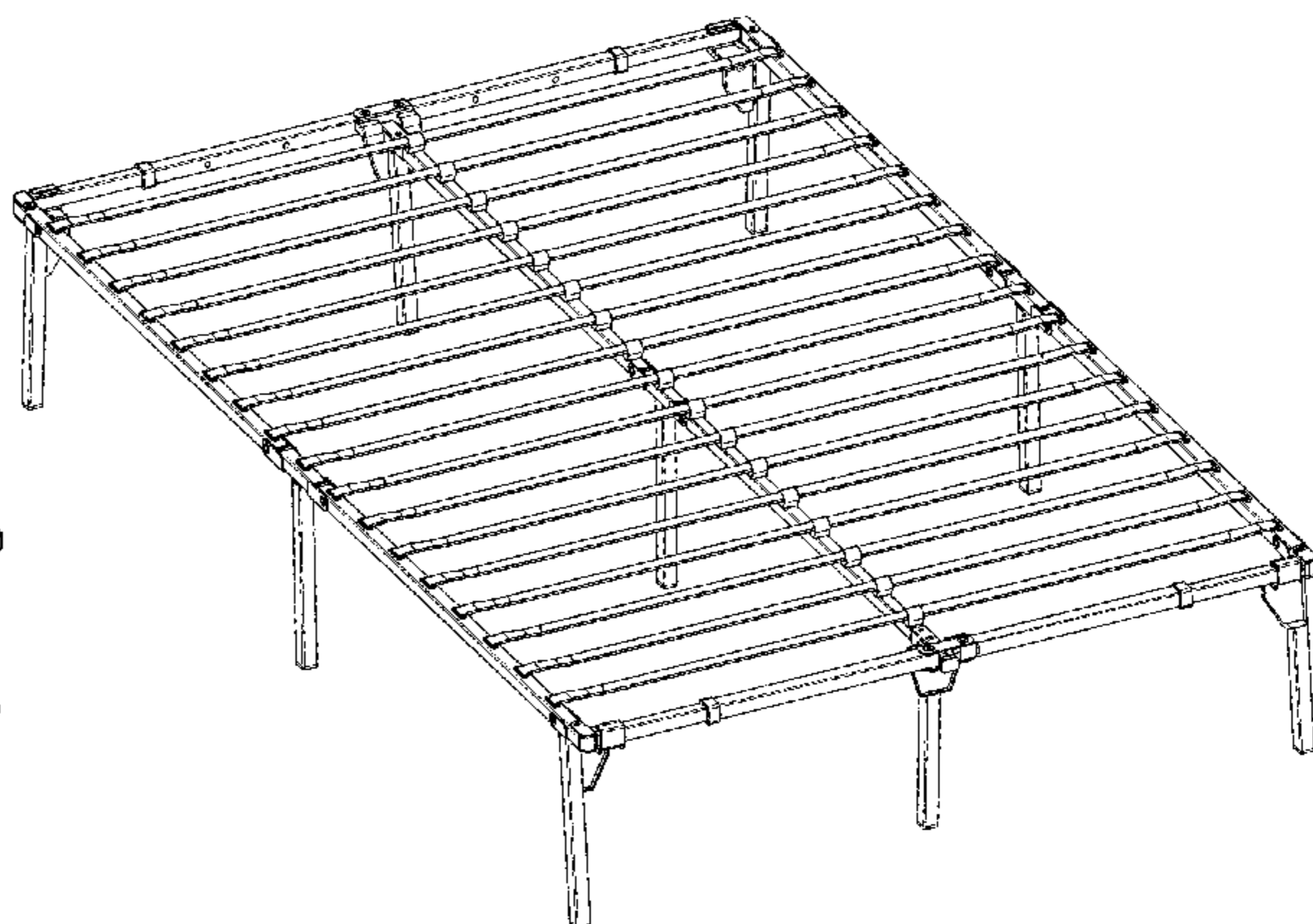
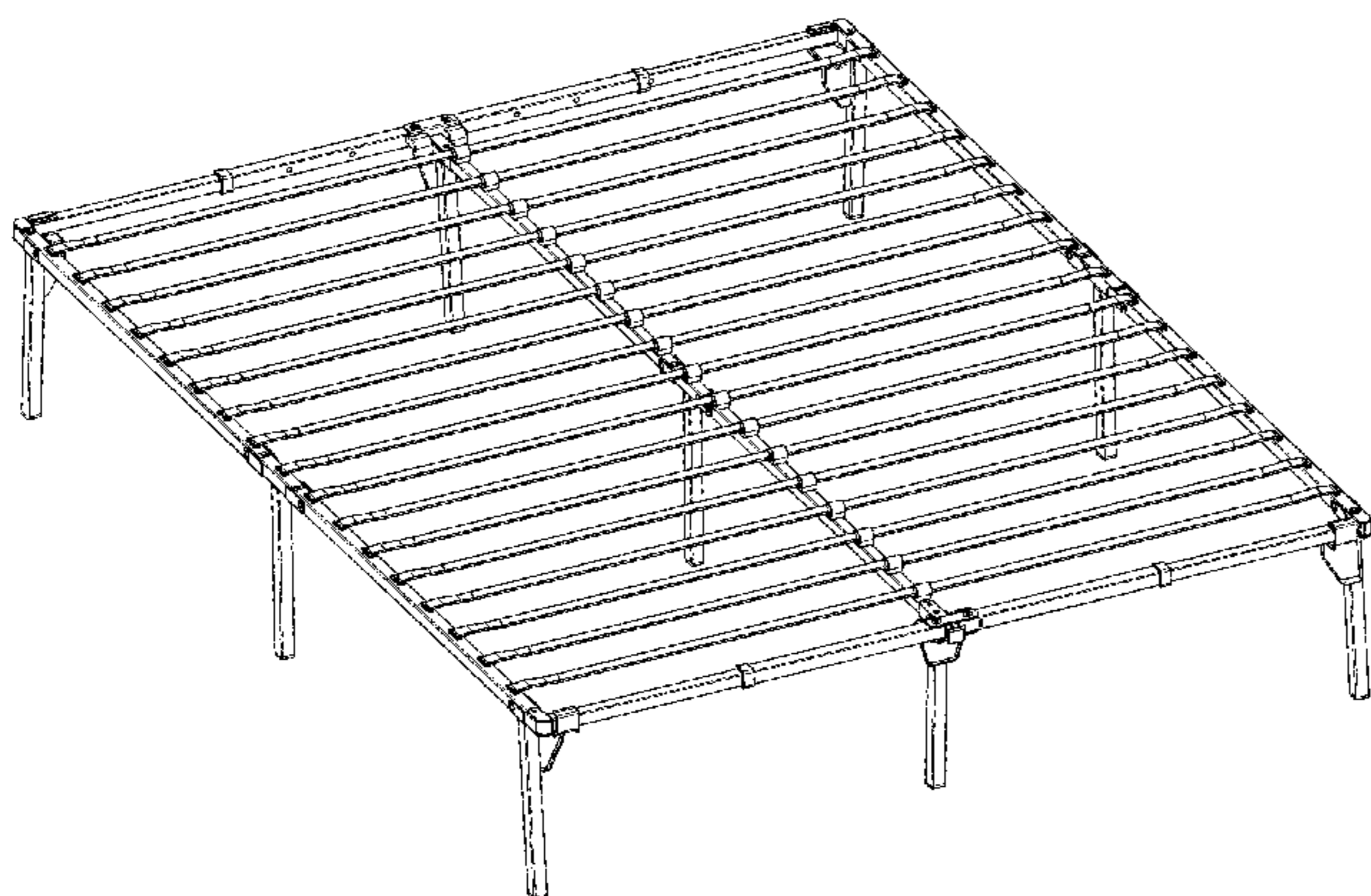
FIG. 16 is a perspective view of the adjustable and collapsible bed frame of FIG. 1 now adjusted to a third width.

FIG. 17 is a top view of the bed frame shown in FIG. 16.

FIG. 18 is a perspective view of the adjustable and collapsible bed frame of FIG. 1 now adjusted to a fourth width; and,

FIG. 19 is a top view of the bed frame shown in FIG. 18.

1 Claim, 18 Drawing Sheets



(58) **Field of Classification Search**

CPC A47C 19/00; A47C 19/04; A47C 19/12;
A47C 19/02; F16B 12/54

See application file for complete search history.

(56) **References Cited**

U.S. PATENT DOCUMENTS

D885,078 S * 5/2020 Liang D6/392
D917,193 S * 4/2021 Shen D6/382
D917,195 S * 4/2021 Shen D6/382
11,006,763 B1 * 5/2021 Oh A47C 19/04
2009/0133191 A1 * 5/2009 Harrow A47C 19/04
5/202
2012/0222216 A1 * 9/2012 Jin A47C 19/122
5/400
2012/0246826 A1 * 10/2012 Jin A47C 19/04
5/400
2015/0143630 A1 * 5/2015 Harrow A47C 19/12
5/400
2018/0045235 A1 * 2/2018 Oh A47C 19/027
2018/0125255 A1 * 5/2018 Jin A47C 19/122
2018/0372138 A1 * 12/2018 Li A47C 19/20
2020/0359803 A1 * 11/2020 Choi F16B 12/54
2021/0353070 A1 * 11/2021 Chen A47C 19/027

OTHER PUBLICATIONS

Noah Megatron, available in Amazon.com, date first available Nov. 20, 2018 [online], Retrieved Dec. 16, 2021 from URL: <https://www.amazon.com/dp/B084ZQRPLC/> (Year: 2018).*

* cited by examiner

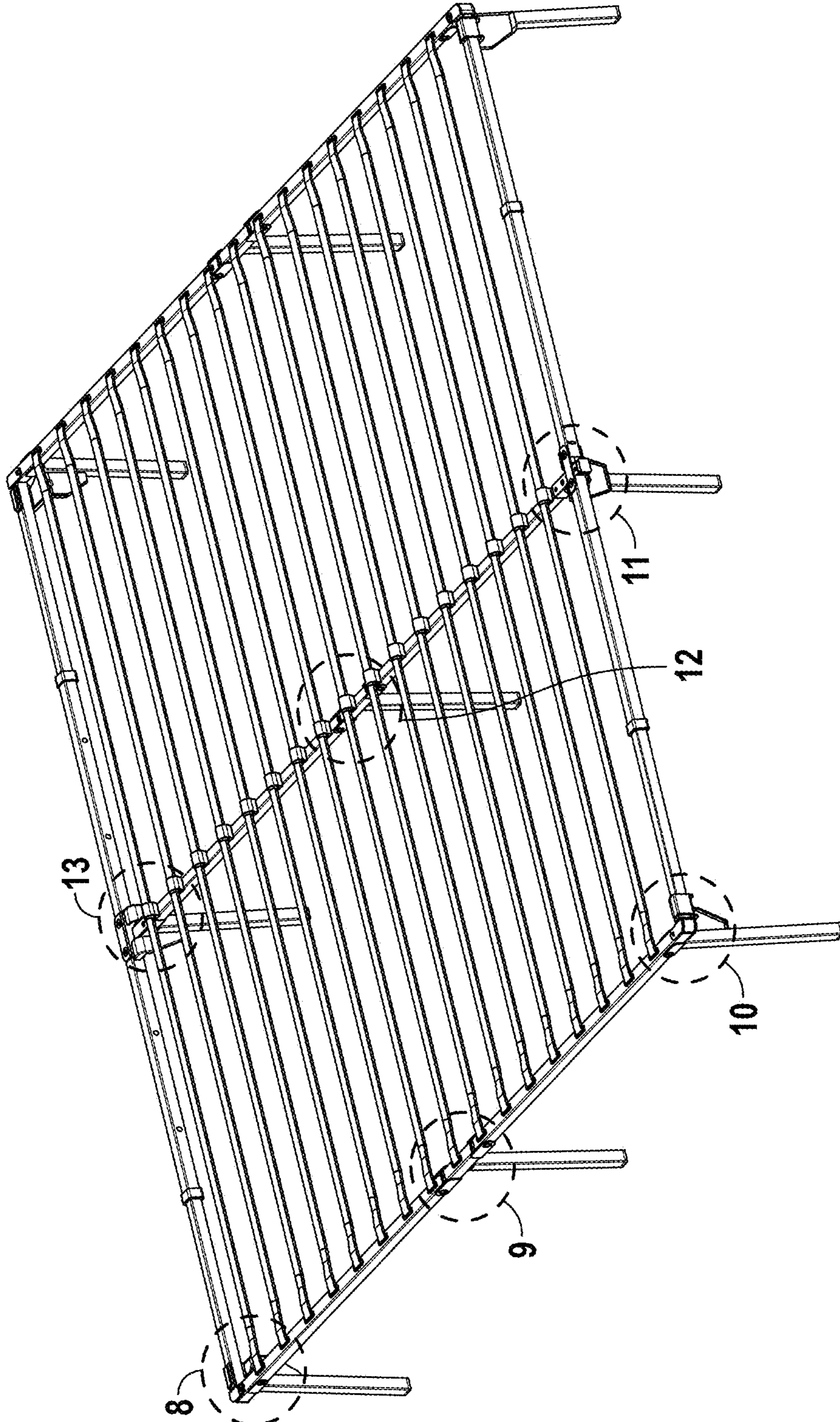


Fig. 1

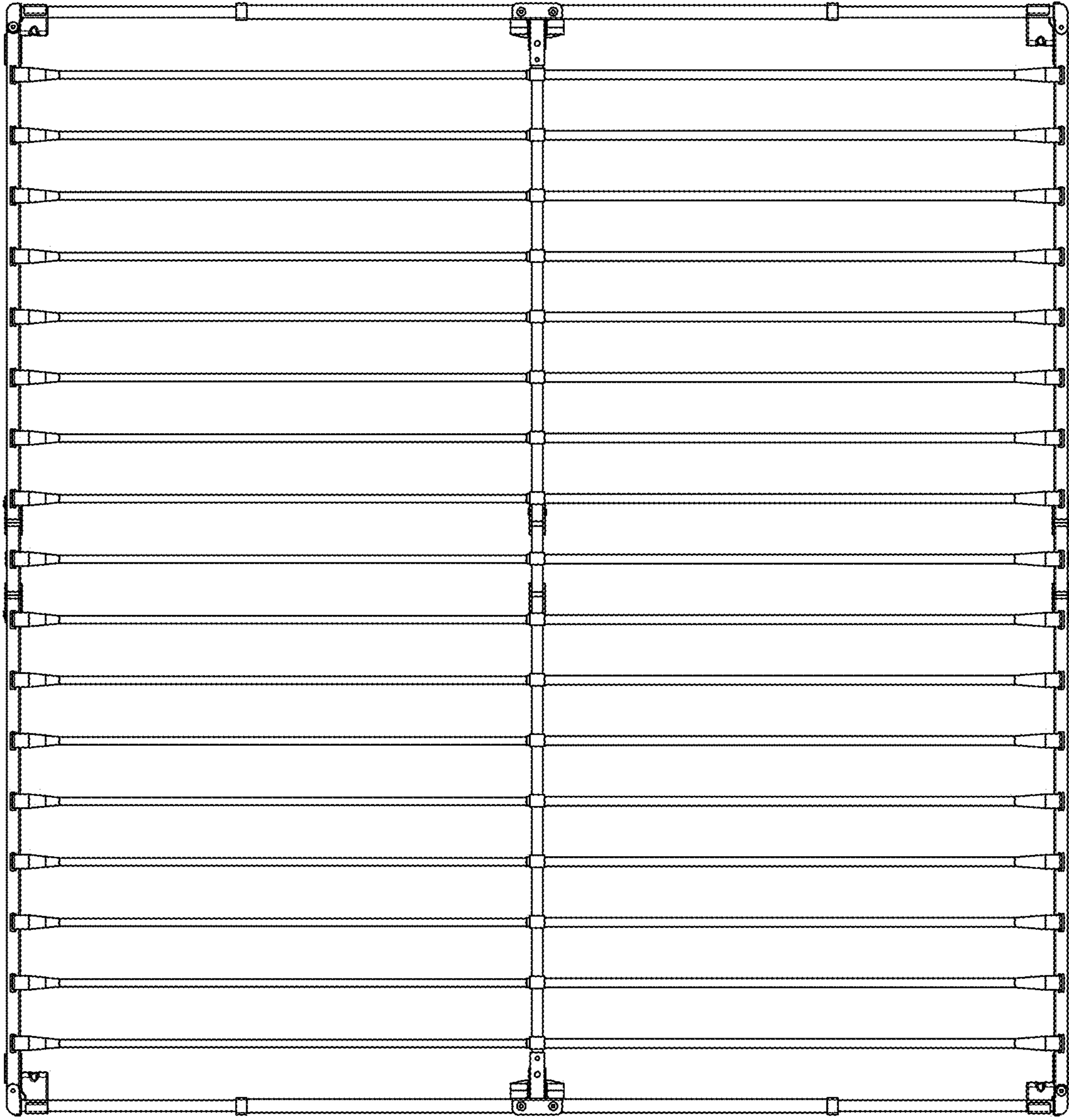


Fig. 2

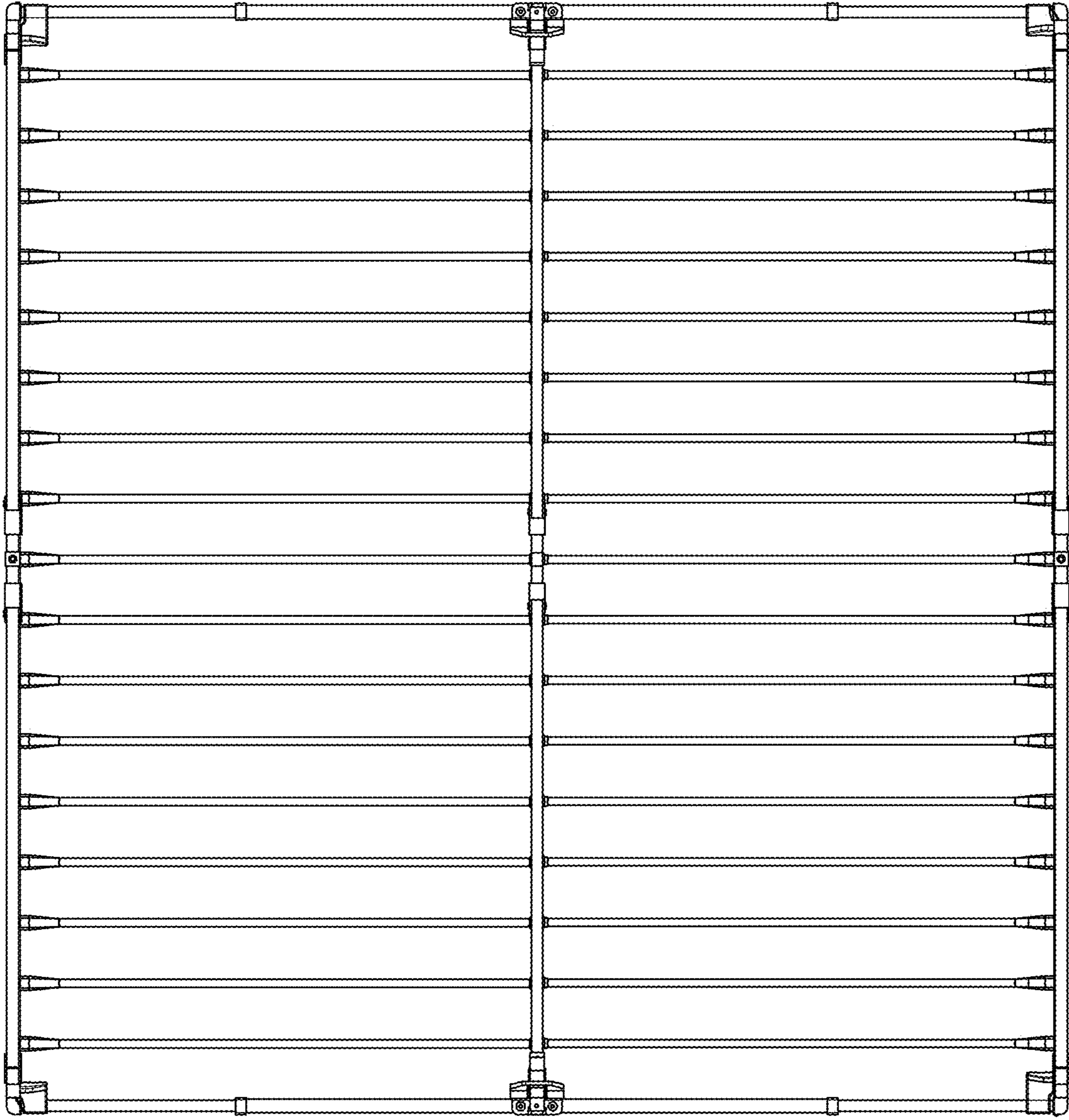


Fig. 3

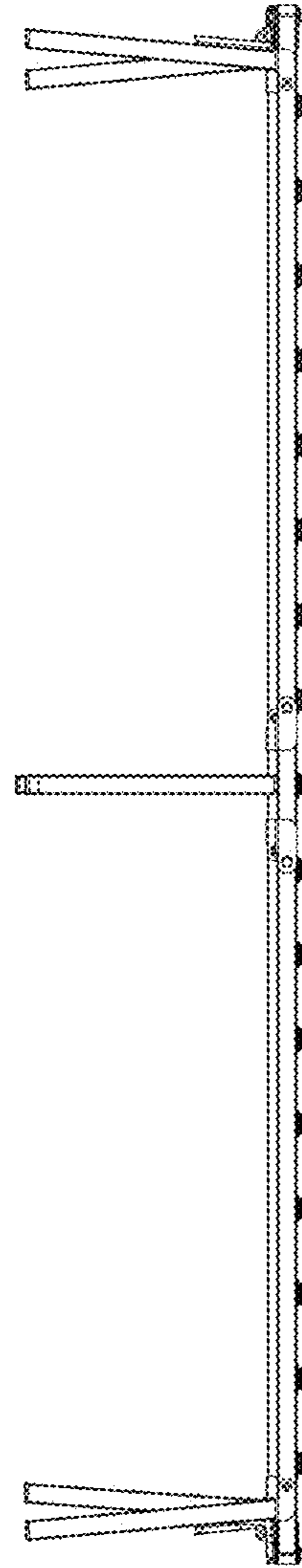


Fig. 4

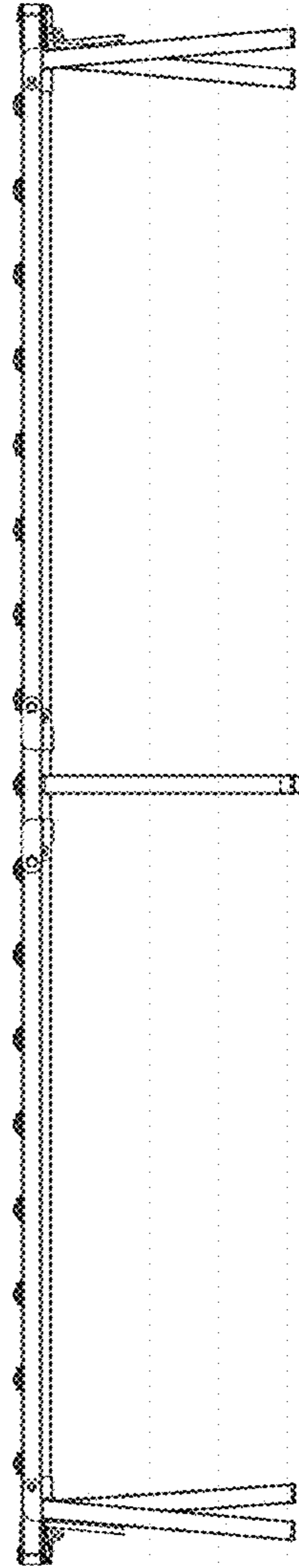


Fig. 5

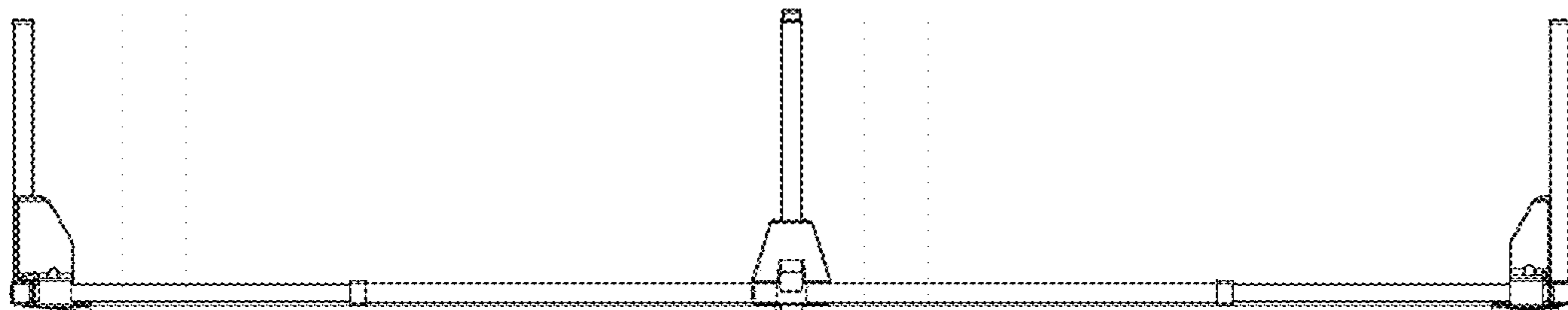


Fig. 6

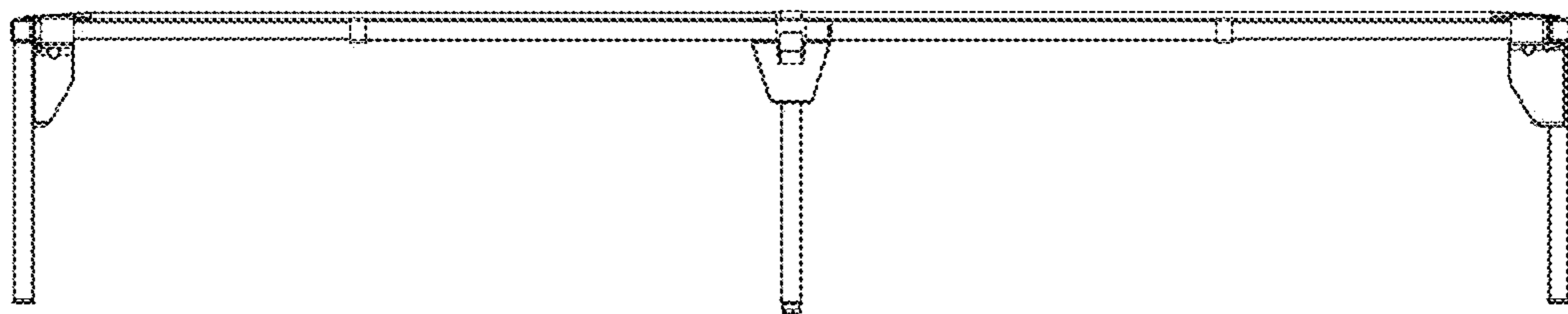


Fig. 7

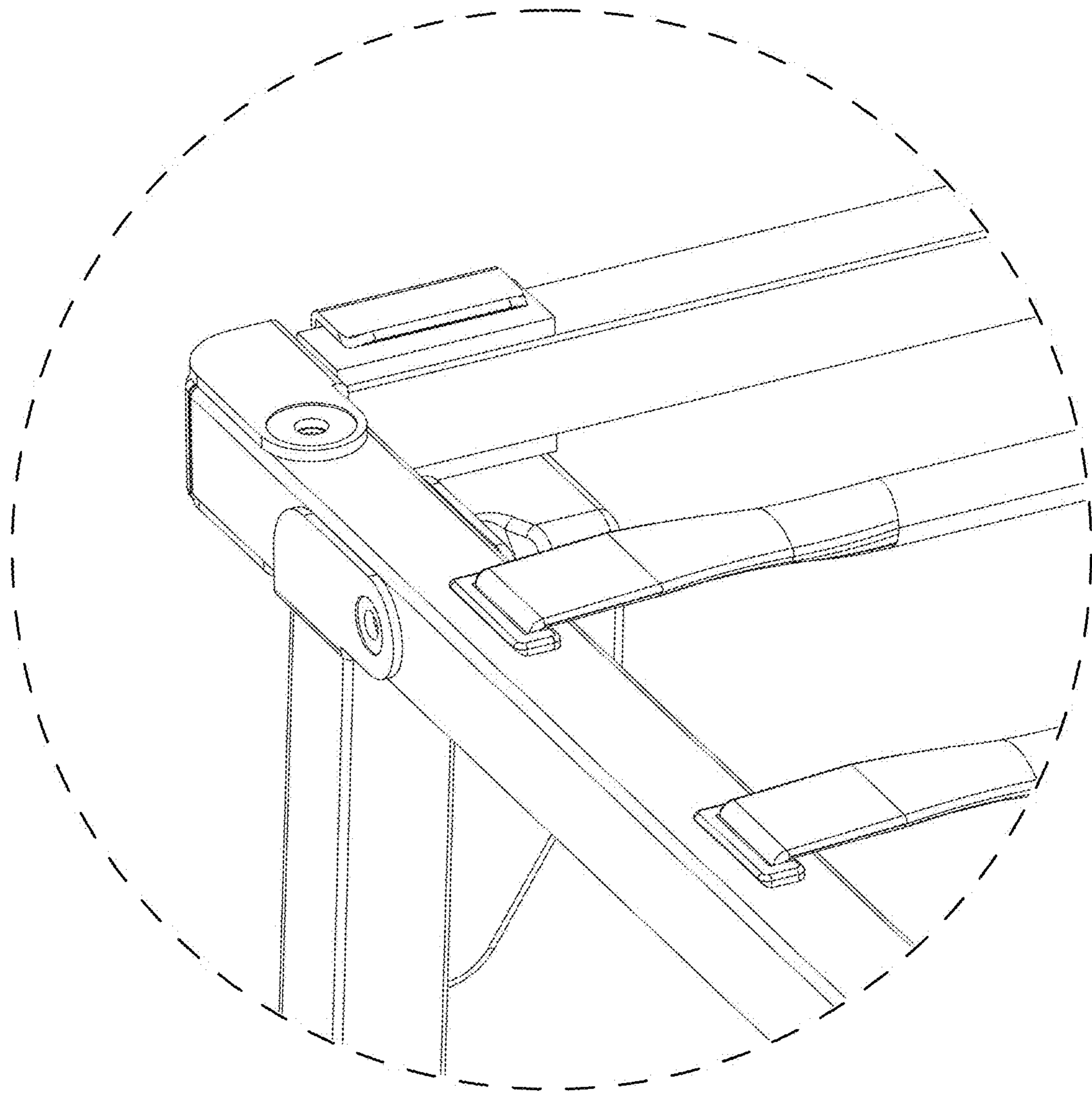


Fig. 8

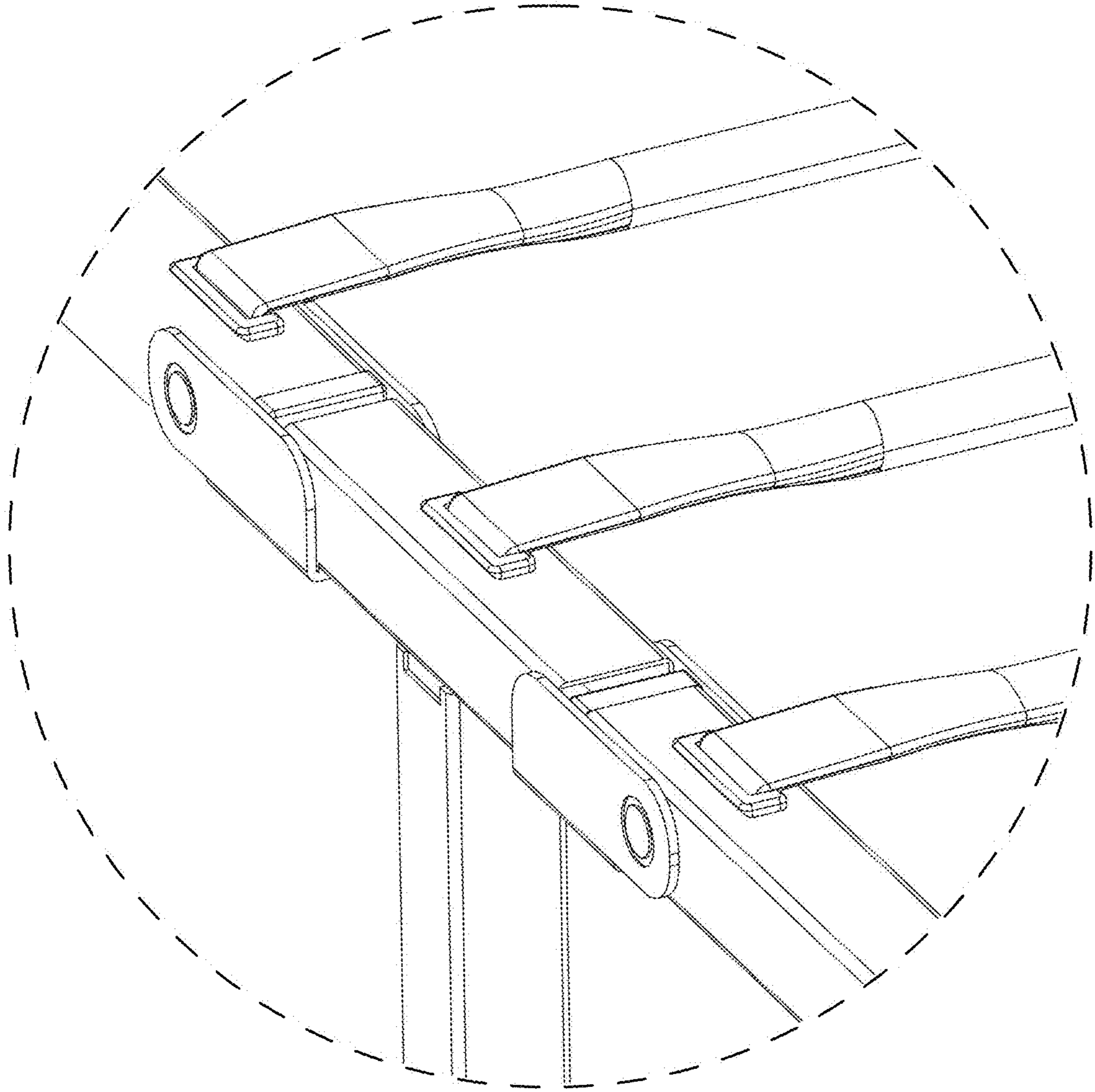


Fig. 9

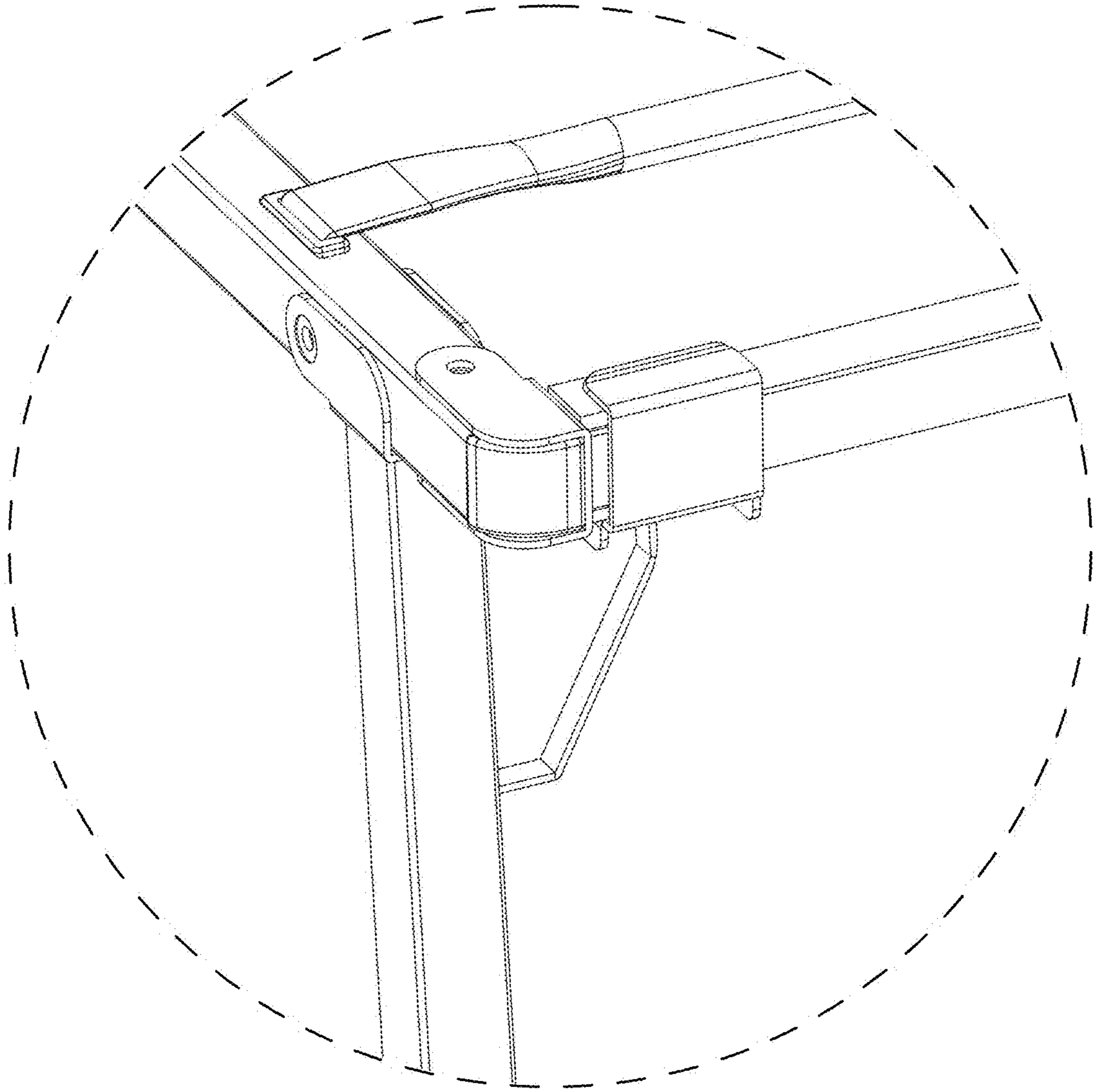


Fig. 10

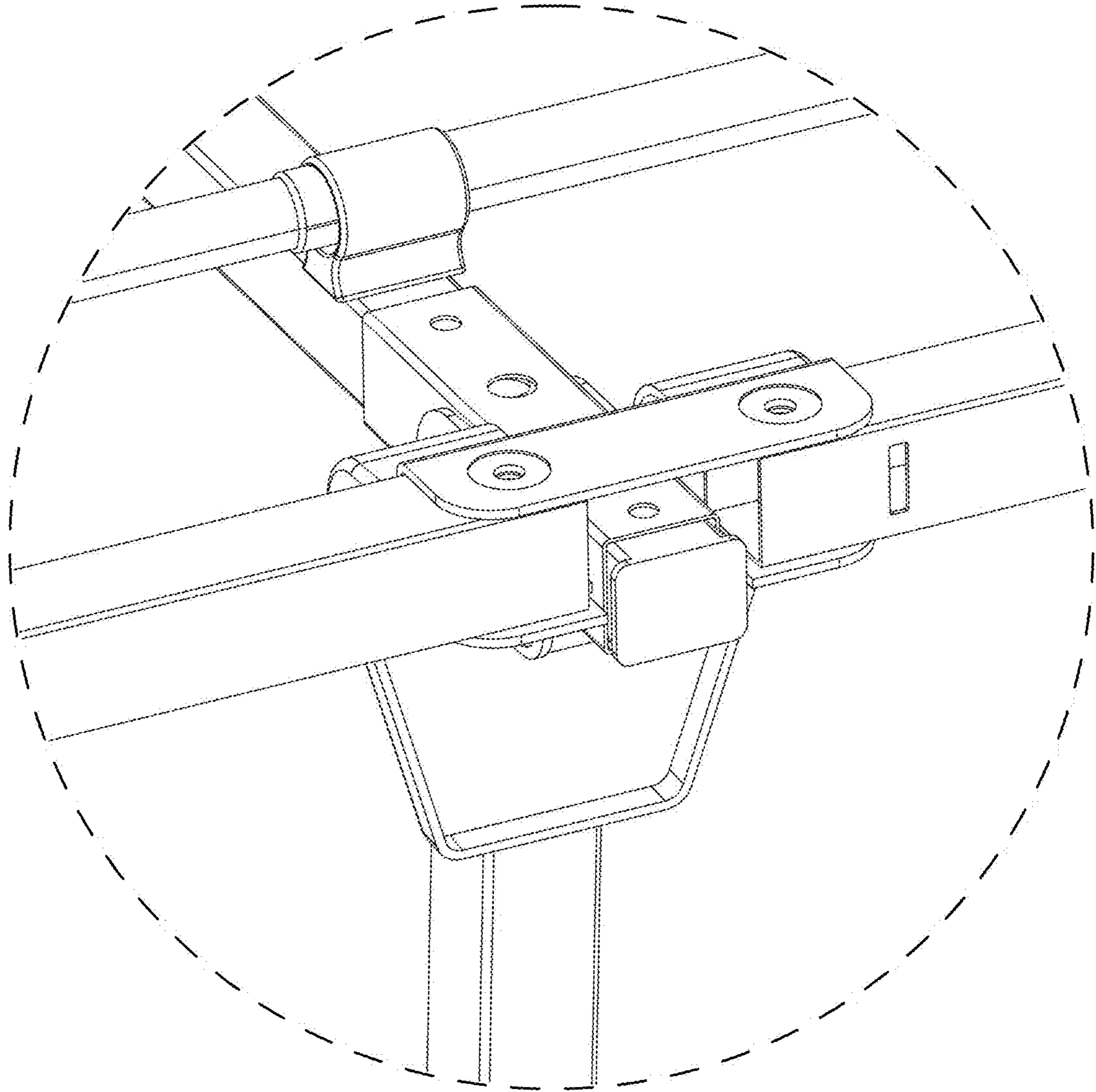


Fig. 11

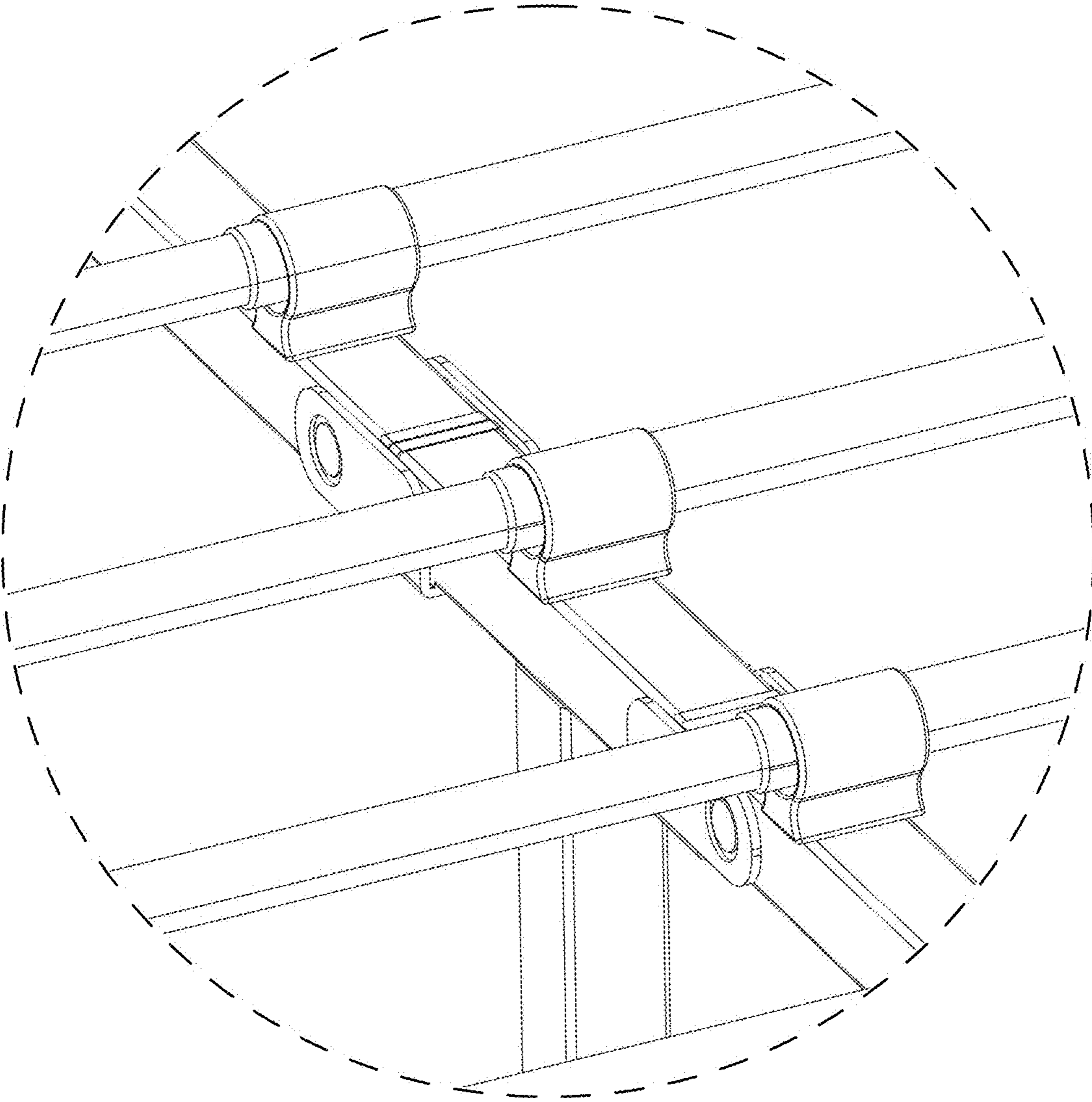


Fig. 12

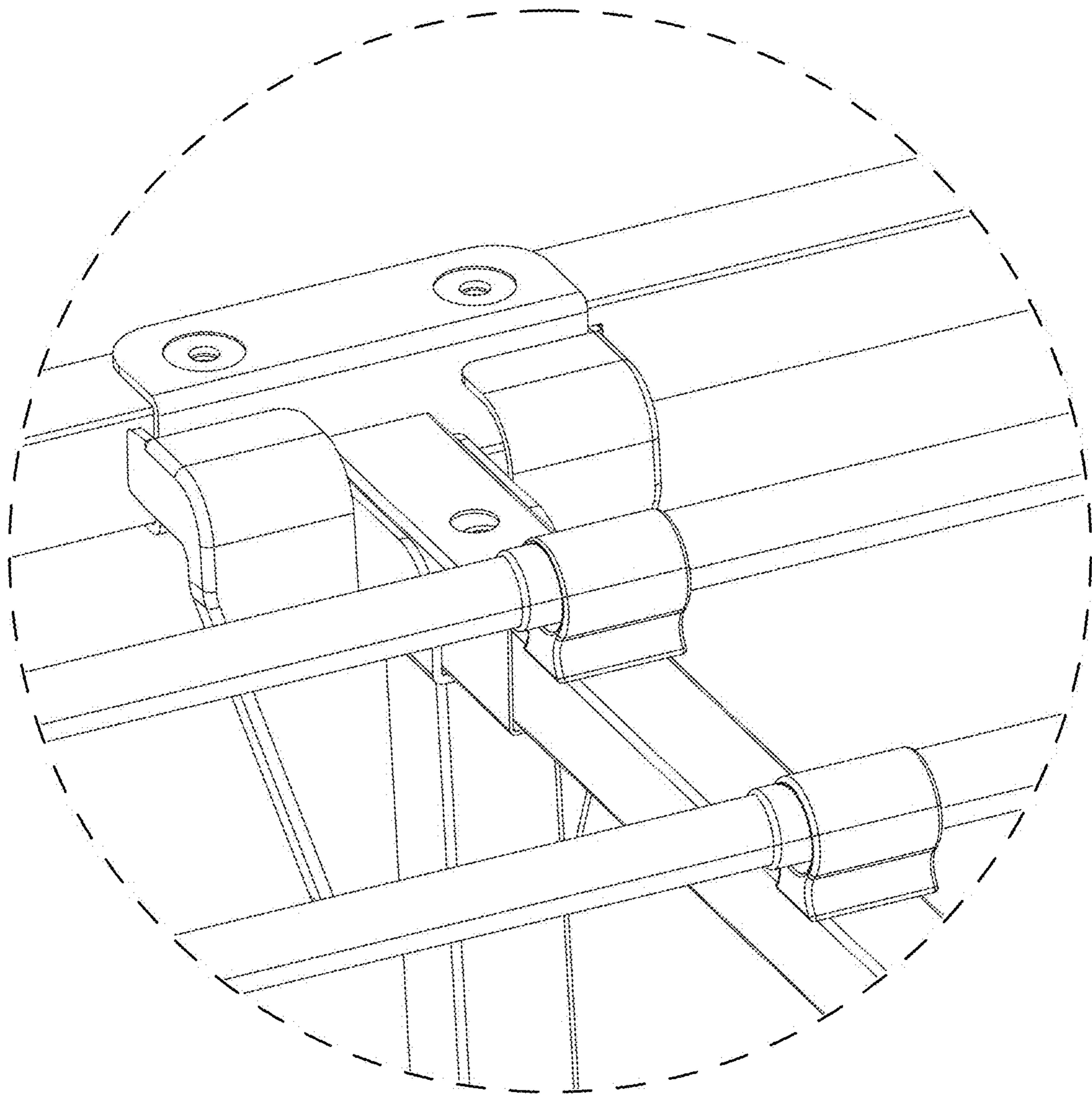


Fig. 13

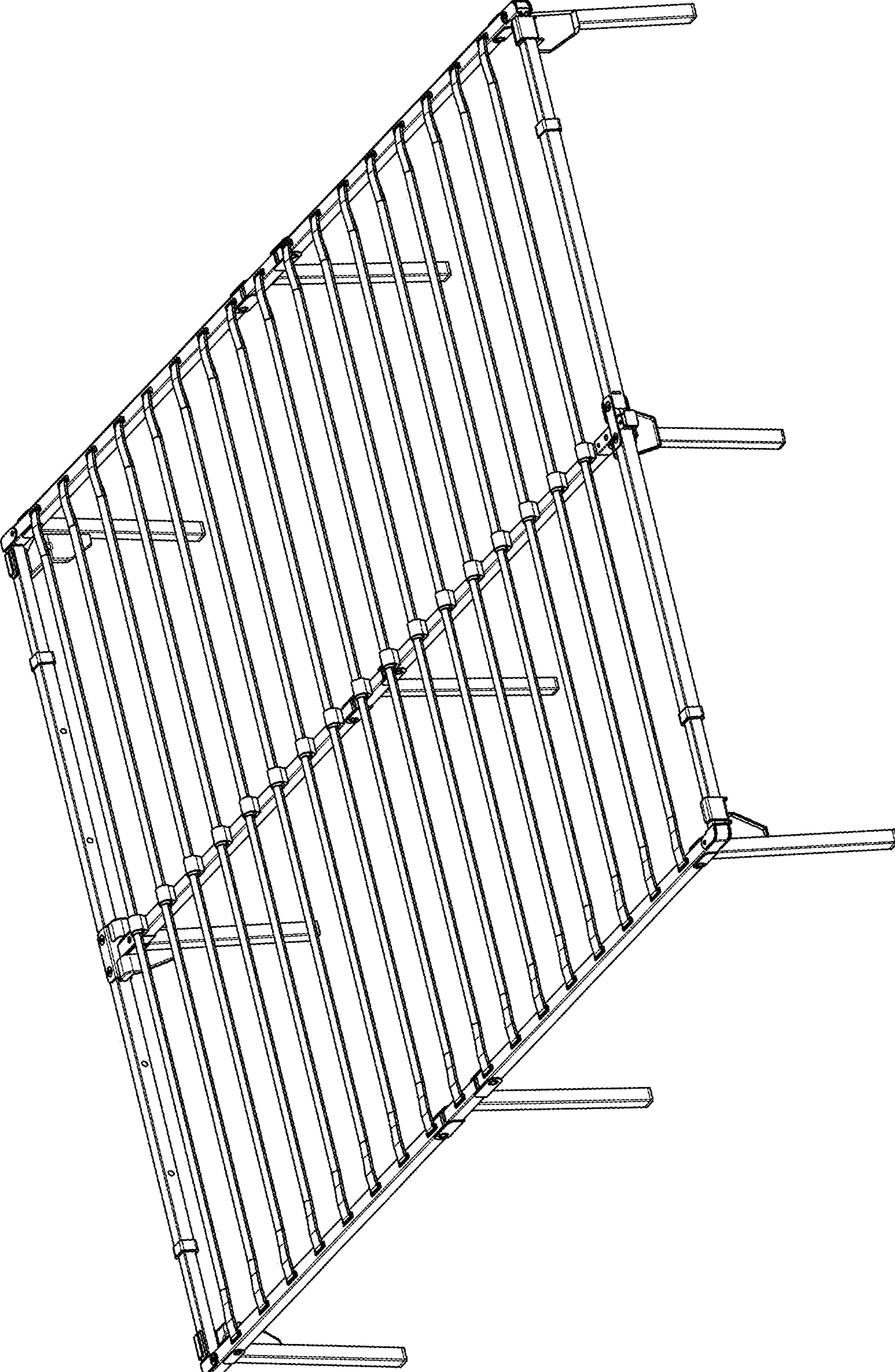


Fig. 14

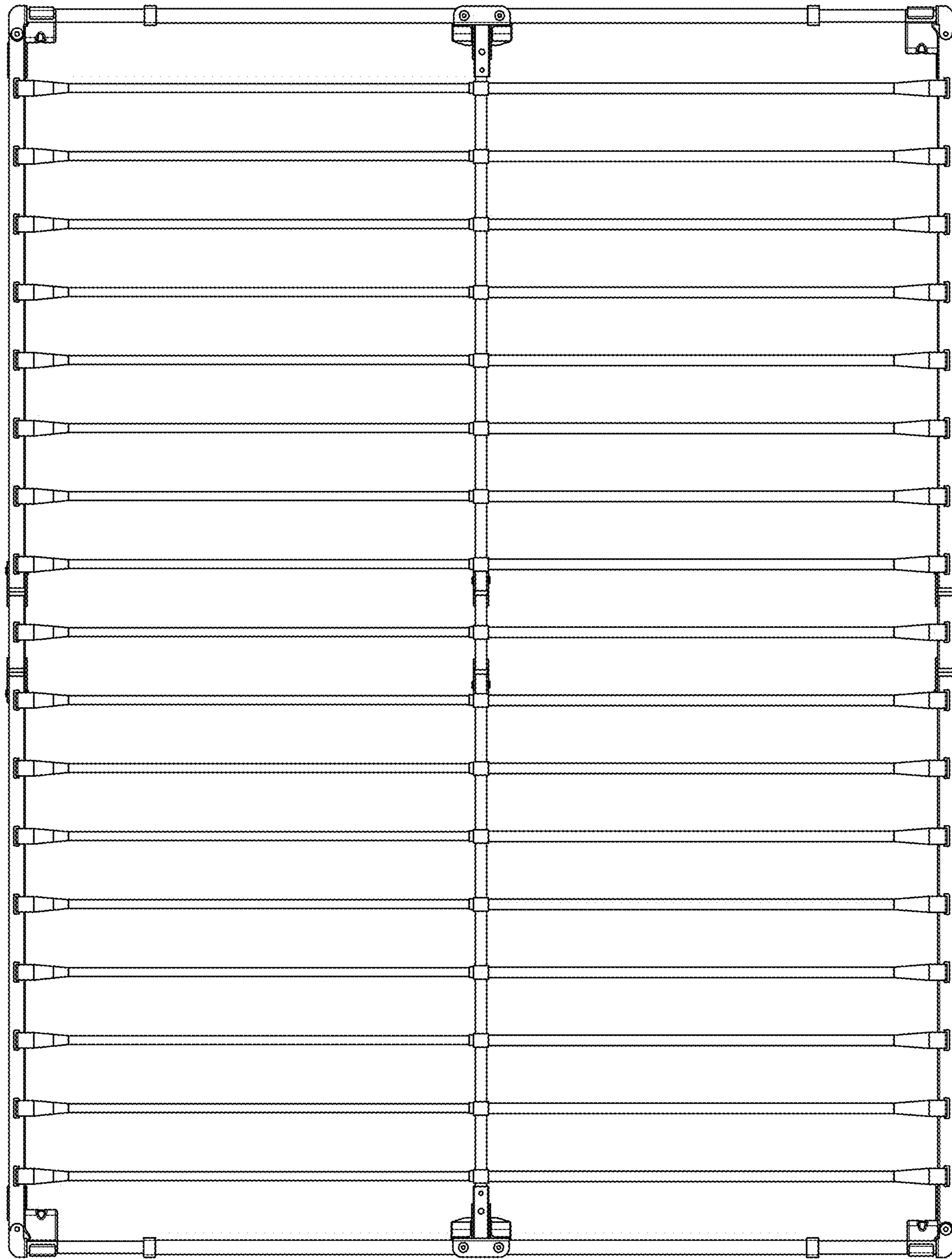


Fig. 15

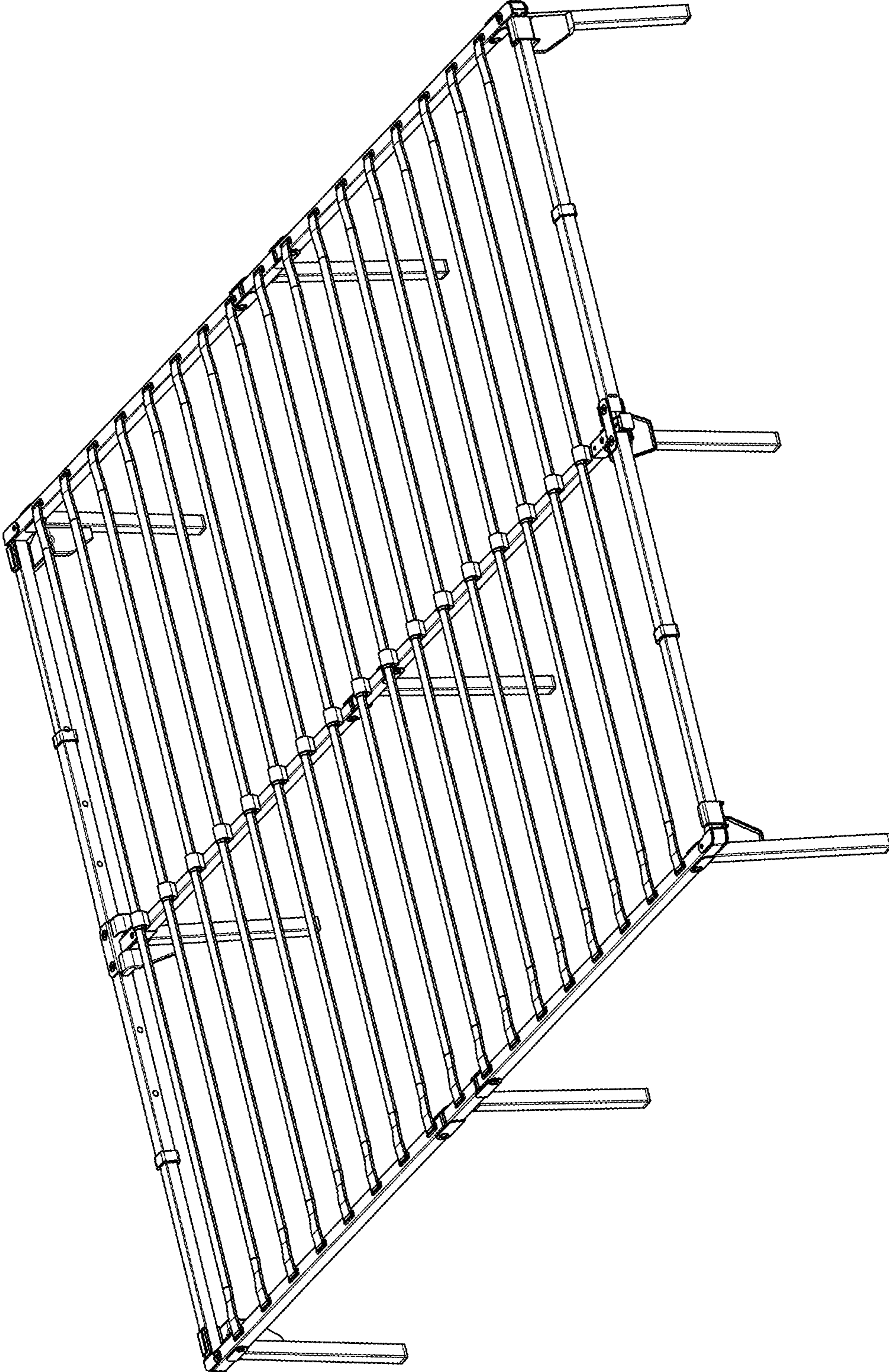


Fig. 16

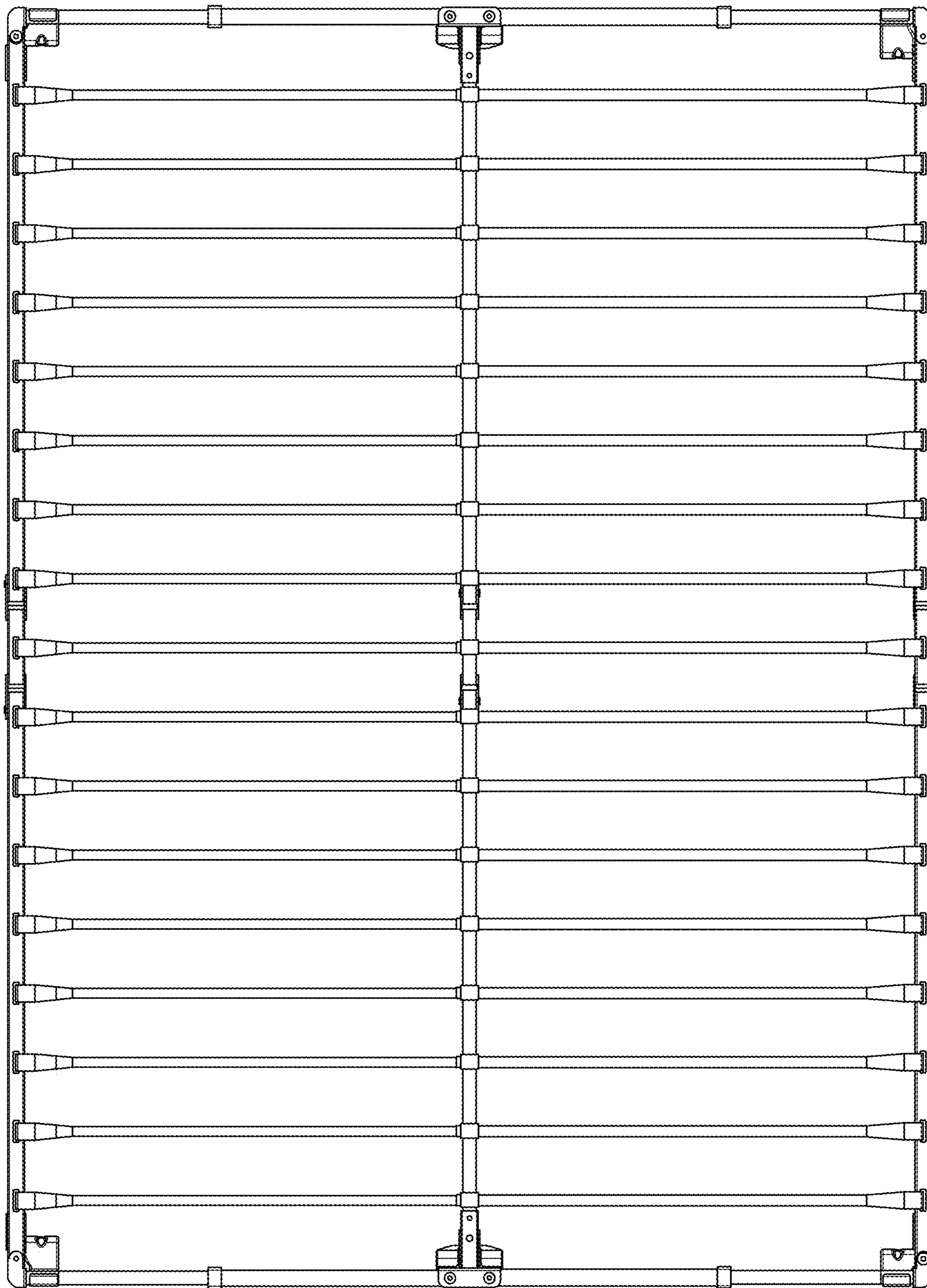


Fig. 17

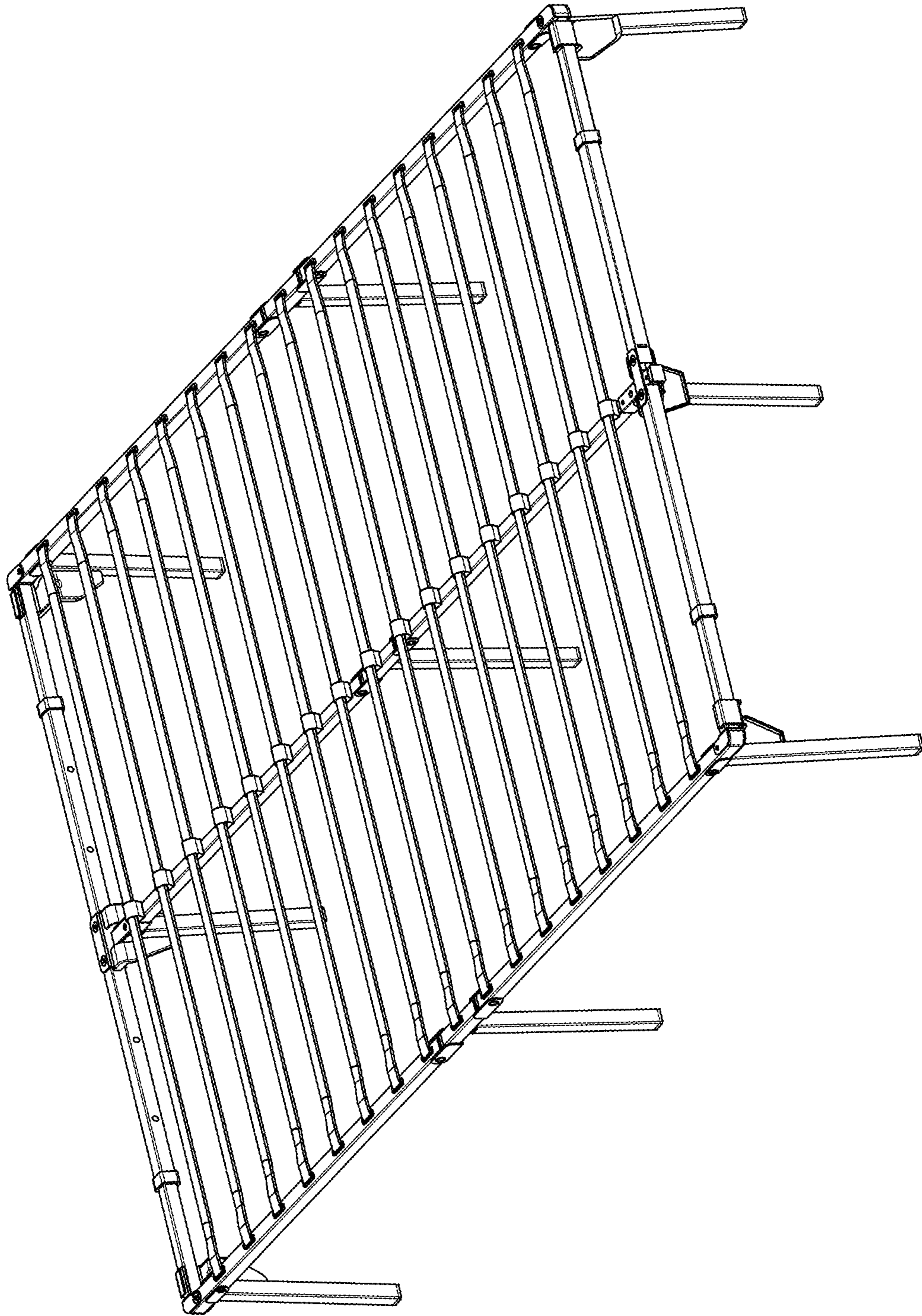


Fig. 18

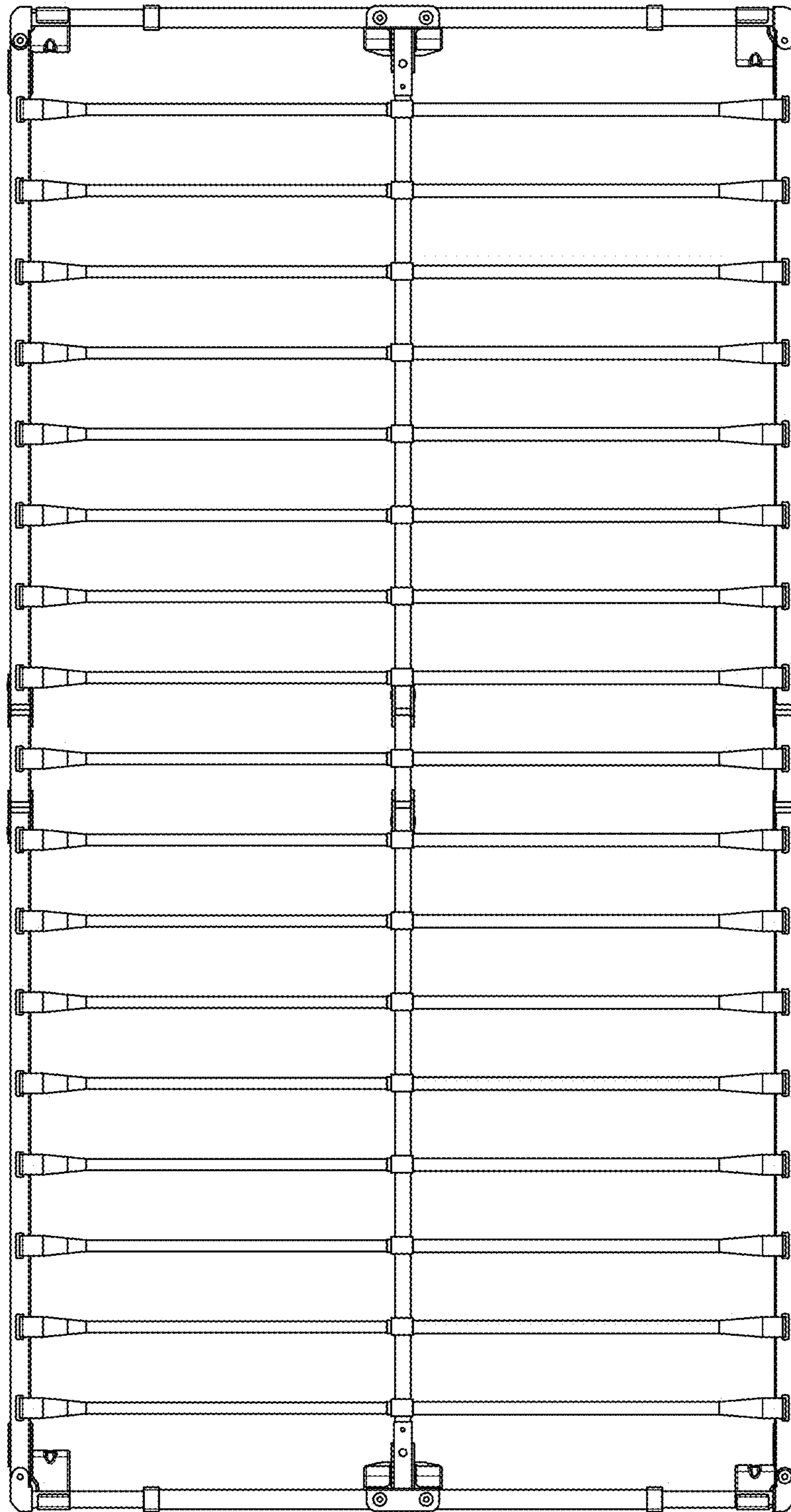


Fig. 19