



US00D955771S

(12) **United States Design Patent**  
**Castaño Azorín**

(10) **Patent No.:** **US D955,771 S**  
(45) **Date of Patent:** **\*\* Jun. 28, 2022**

(54) **CHAIR**

(71) Applicant: **Sancal Diseño, S.L.**, Yecla (ES)

(72) Inventor: **Antonio Javier Castaño Azorín**, Yecla (ES)

(73) Assignee: **Sancal Diseño, S.L.**, Yecla (ES)

(\*\*) Term: **15 Years**

(21) Appl. No.: **29/753,506**

(22) Filed: **Sep. 30, 2020**

(30) **Foreign Application Priority Data**

Apr. 6, 2020 (EM) ..... 007794235-0013

(51) **LOC (13) Cl.** ..... **06-01**

(52) **U.S. Cl.**  
USPC ..... **D6/379**

(58) **Field of Classification Search**

USPC ..... D6/369, 370, 374, 376, 379, 380, 334,  
D6/377; D21/521

CPC .. A47C 3/021; A47C 4/00; A47C 5/02; A47C  
5/08; A47C 13/00; A47C 31/025; A47C  
31/003; A47C 31/008; A47C 31/11; A47C  
5/04; A47C 4/02; A47K 13/00; B60N  
2/14; A47B 85/04

See application file for complete search history.

(56) **References Cited**

**U.S. PATENT DOCUMENTS**

3,591,233 A \* 7/1971 Turcksin ..... A47C 3/0255  
297/440.11

D260,950 S \* 9/1981 Aulenti ..... D6/379

D514,335 S *	2/2006	Patti .....	D6/334
D573,358 S *	7/2008	Gharabegian .....	D6/334
D767,295 S *	9/2016	Haase .....	D6/374
D810,457 S *	2/2018	Natuzzi .....	D6/379
D850,893 S *	6/2019	Lissoni .....	D8/381
D851,416 S *	6/2019	King .....	D6/334
D885,067 S *	5/2020	Wilson .....	D6/334
D887,726 S *	6/2020	Grassinger .....	D6/334
D890,542 S *	7/2020	Bellini .....	D6/377
D899,110 S *	10/2020	King .....	D6/334
D904,771 S *	12/2020	Nigro .....	D6/334
D905,978 S *	12/2020	Smrstick .....	D6/334
D912,428 S *	3/2021	Li .....	D6/374
2020/0375362 A1 *	12/2020	Hale .....	A47C 4/28

\* cited by examiner

*Primary Examiner* — Kevin K Rudzinski

*Assistant Examiner* — Paul D Bohannon

(74) *Attorney, Agent, or Firm* — Banner & Witcoff, Ltd.

(57) **CLAIM**

The ornamental design for a chair, as shown and described.

**DESCRIPTION**

FIG. 1 is a front, left-side, top perspective view of a chair showing my new design;

FIG. 2 is a front perspective view thereof;

FIG. 3 is a left-side perspective view thereof;

FIG. 4 is a front, right-side perspective view thereof;

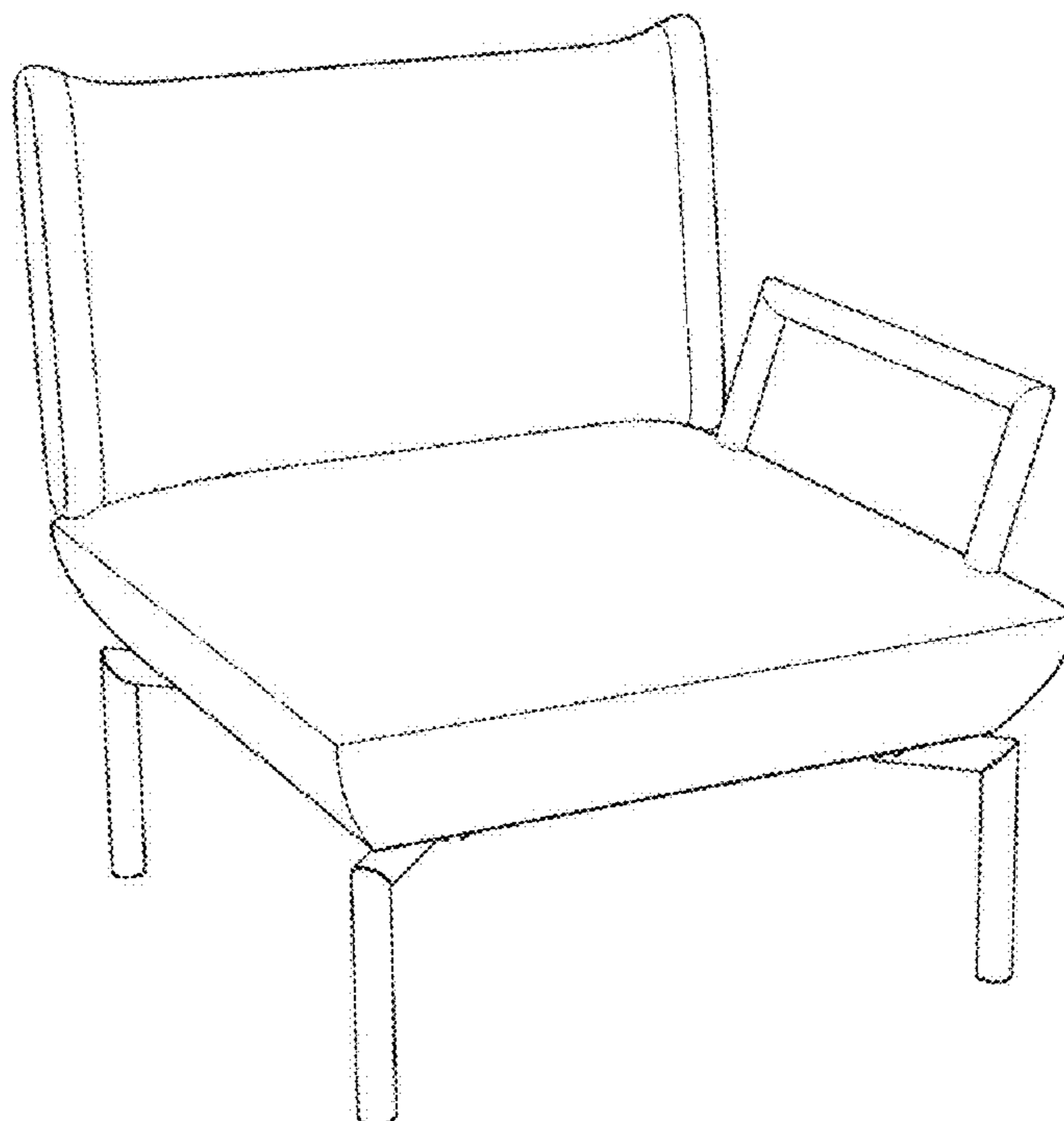
FIG. 5 is a rear, right perspective view thereof;

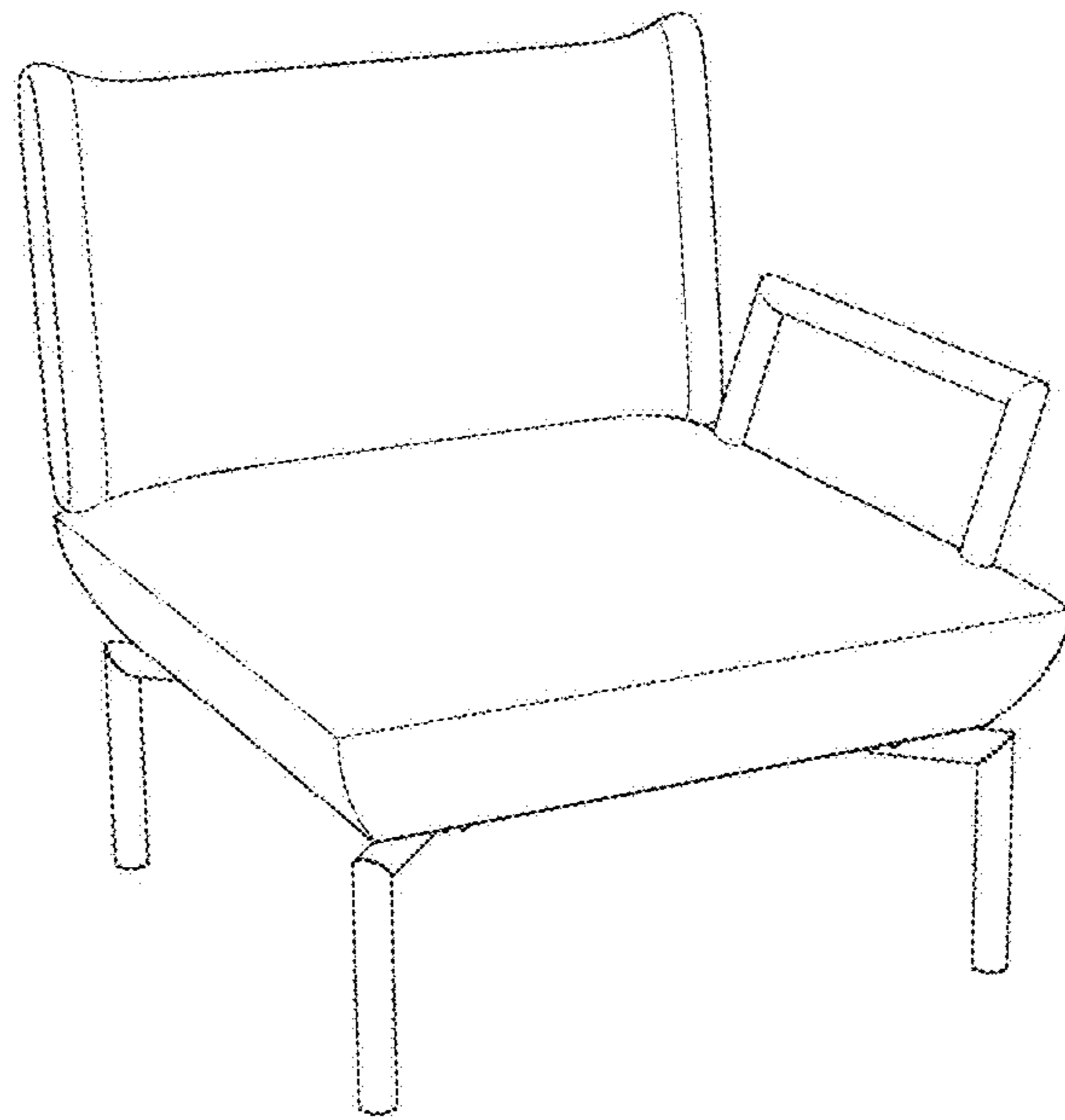
FIG. 6 is a front, top perspective view thereof; and,

FIG. 7 is a rear, left-side perspective view thereof.

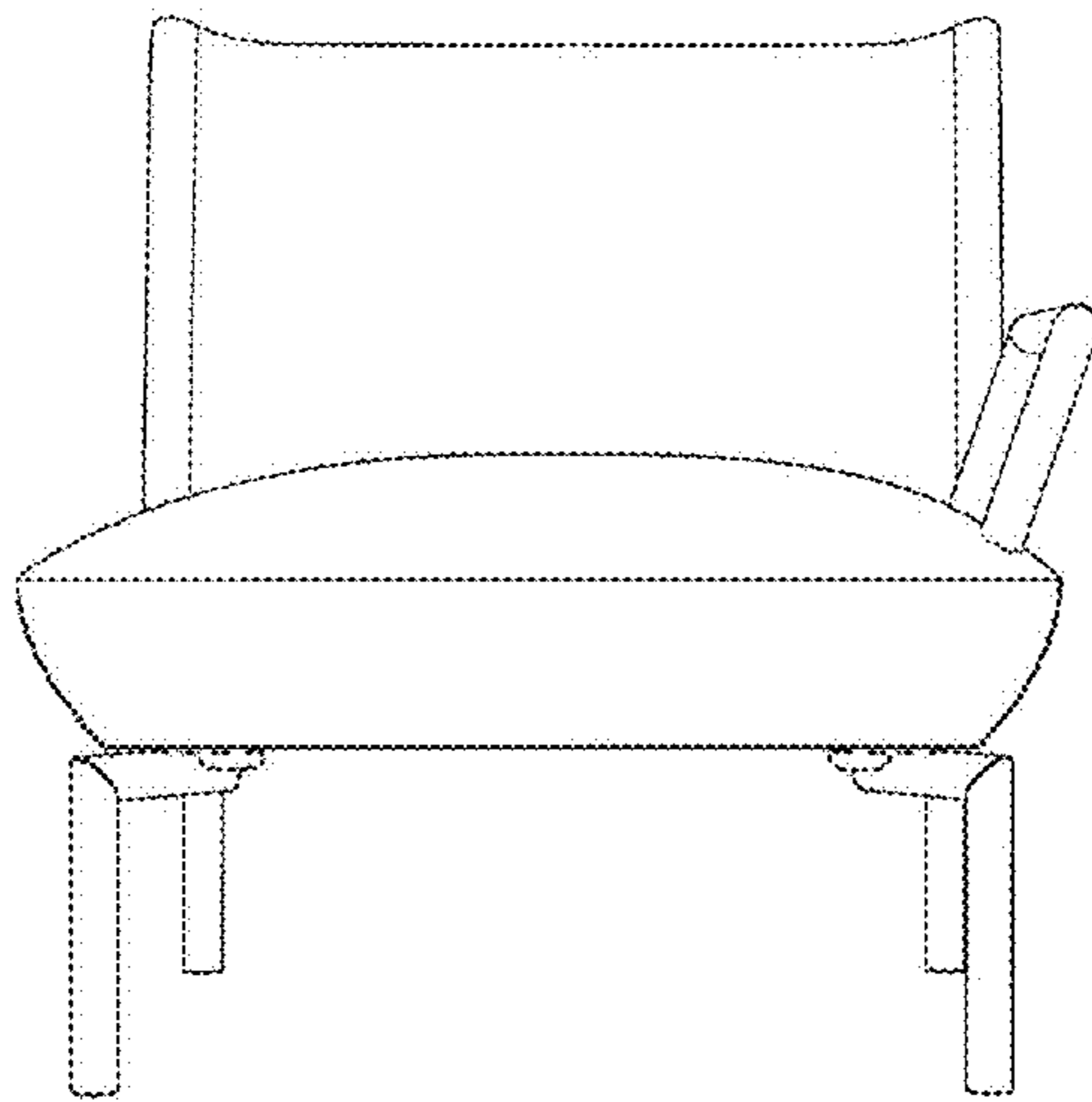
The broken lines show features that form no part of the claimed design.

**1 Claim, 7 Drawing Sheets**

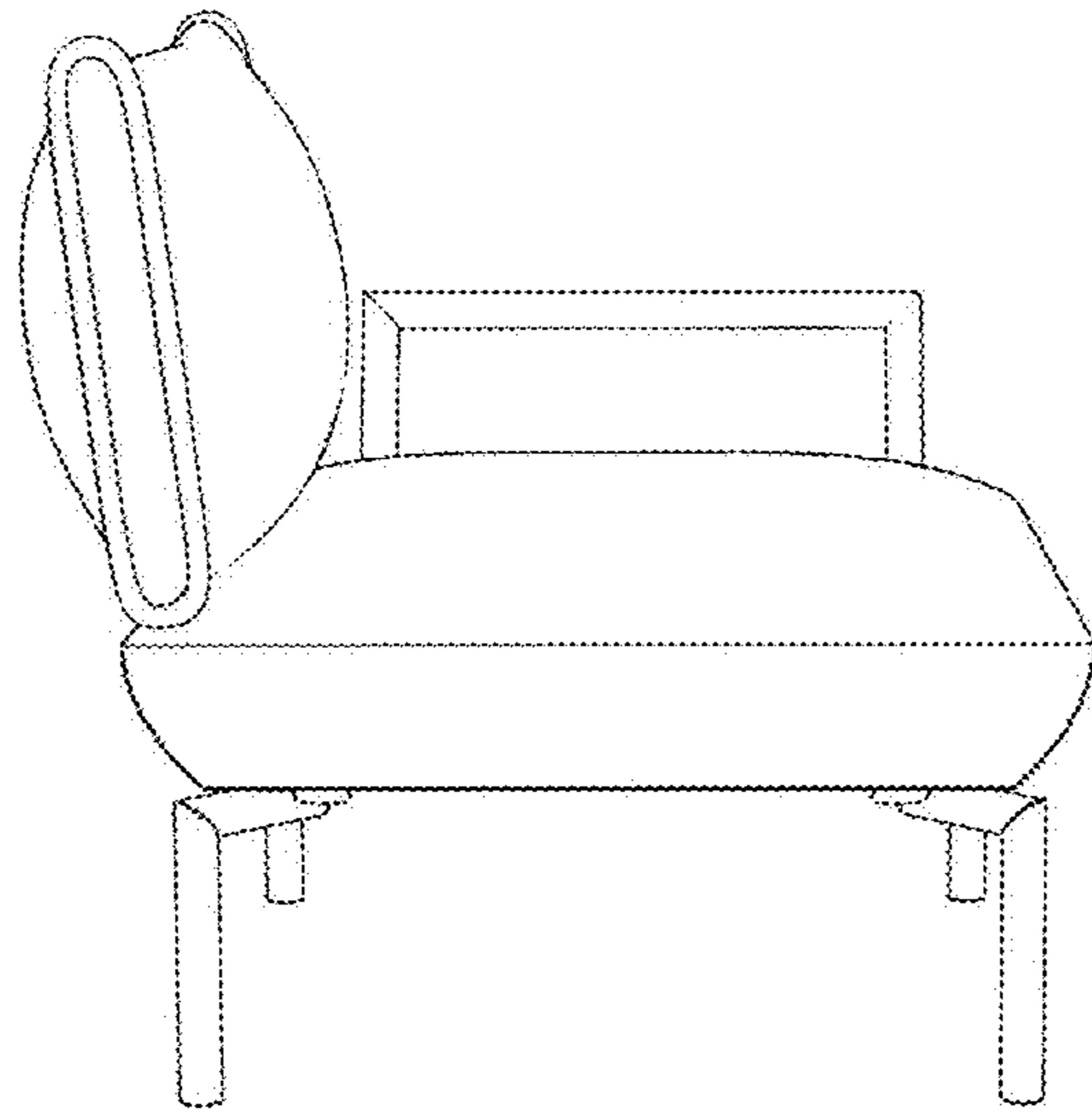




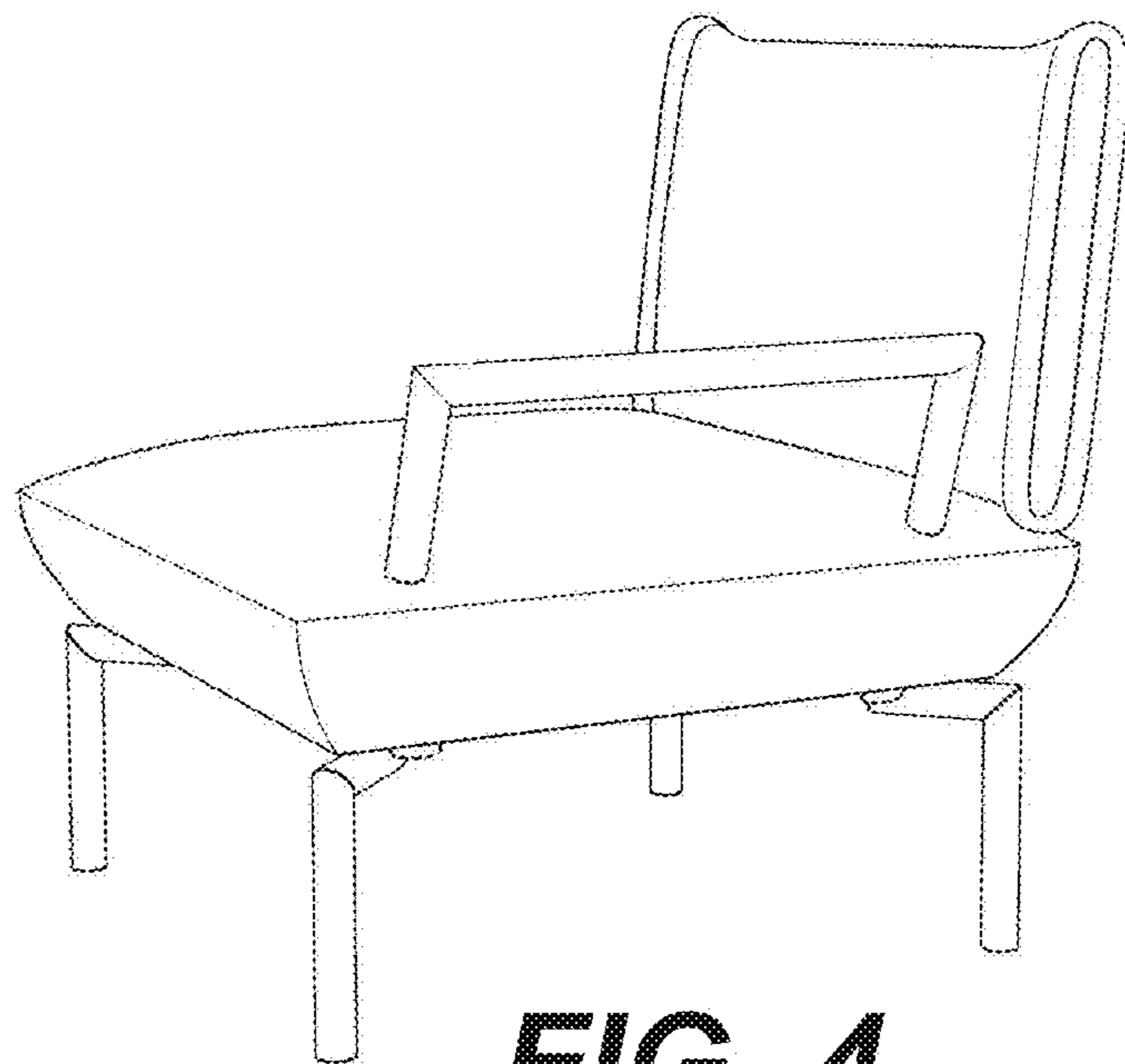
**FIG. 1**



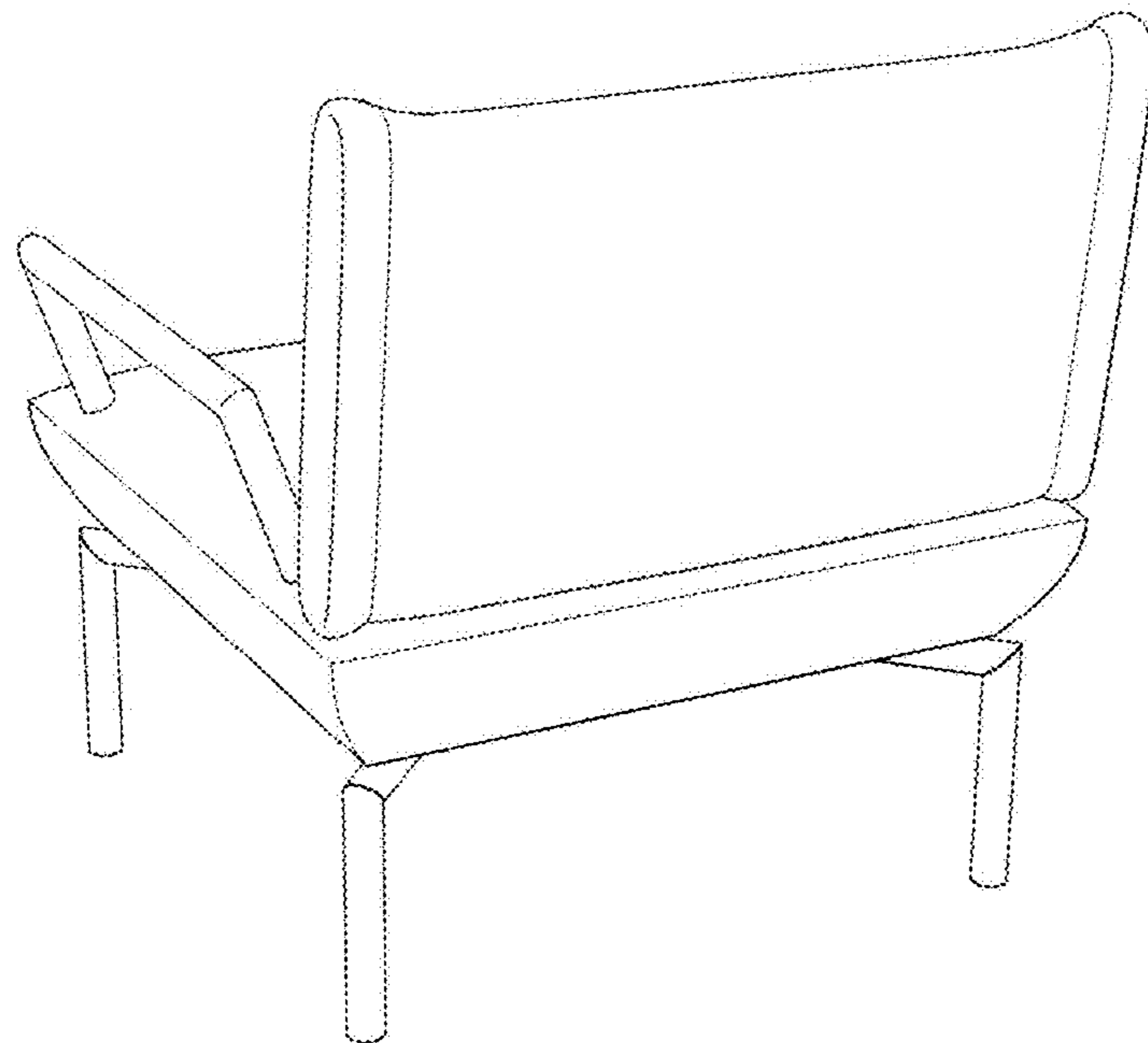
**FIG. 2**



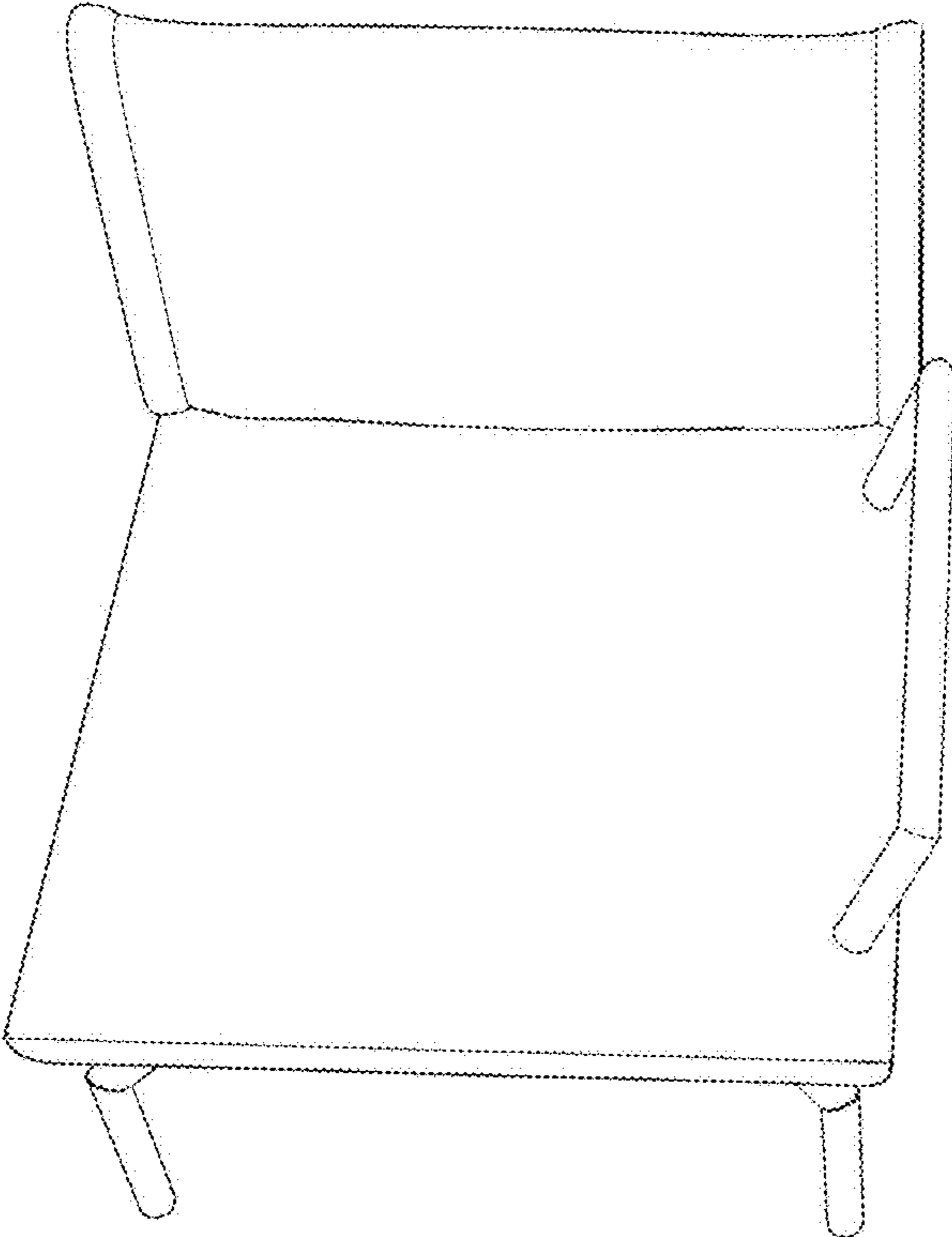
**FIG. 3**



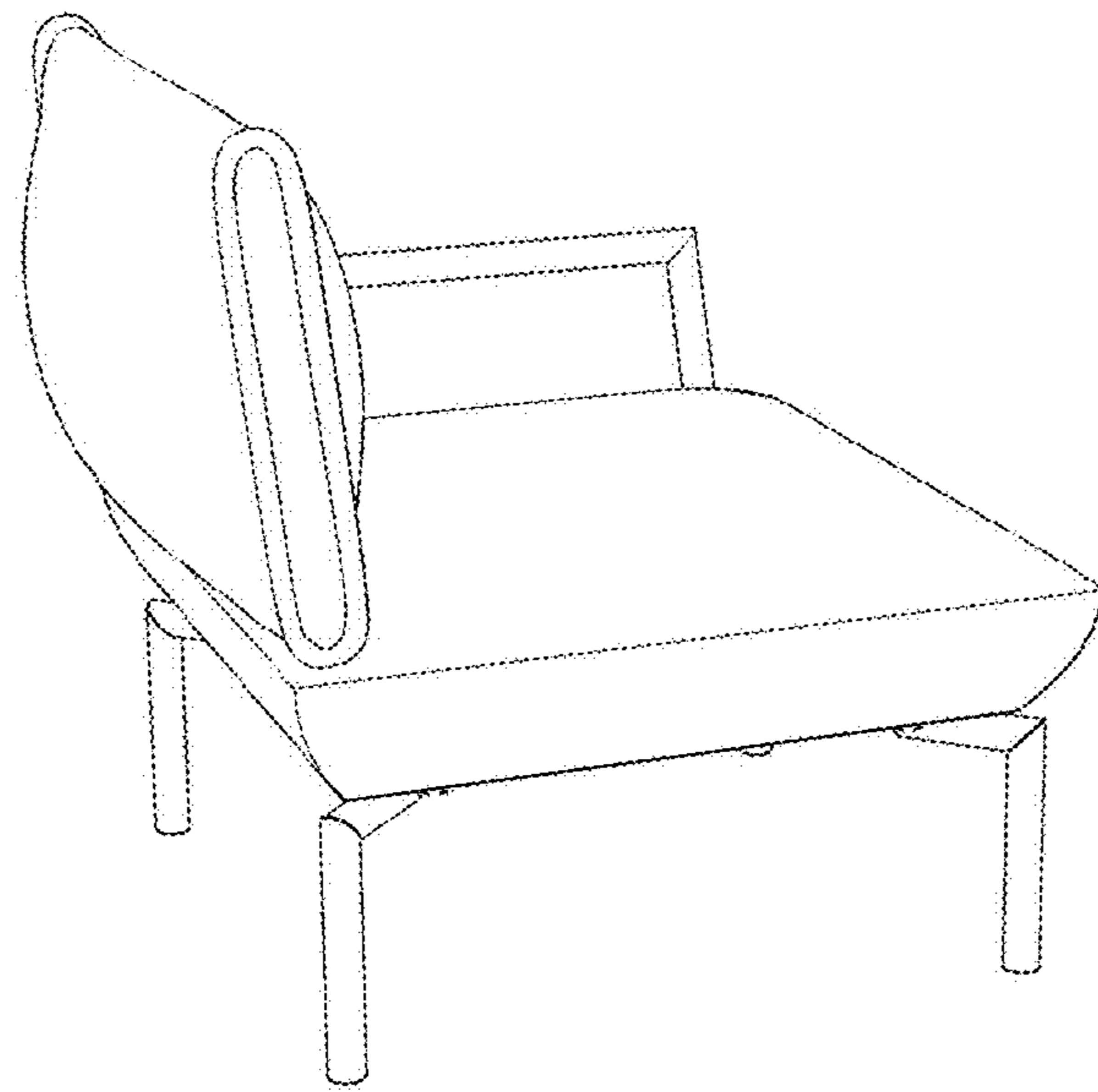
**FIG. 4**



**FIG. 5**



**FIG. 6**



**FIG. 7**