



US00D955770S

(12) **United States Design Patent** (10) **Patent No.:** **US D955,770 S**
Boone (45) **Date of Patent:** **** Jun. 28, 2022**

(54) **CHAIR**
(71) Applicant: **Nathaniel W. Boone**, Johnston, IA (US)
(72) Inventor: **Nathaniel W. Boone**, Johnston, IA (US)
(**) Term: **15 Years**
(21) Appl. No.: **29/747,892**
(22) Filed: **Aug. 26, 2020**
(51) **LOC (13) Cl.** **06-01**
(52) **U.S. Cl.**
USPC **D6/371**

(58) **Field of Classification Search**
USPC D6/333, 334, 341, 348, 349, 350, 352,
D6/353, 360, 364, 369, 370, 371, 373,
D6/374, 375, 376, 377, 379, 380, 390,
D6/677, 692, 700, 708, 708.16, 716, 611;
D16/237; D21/412, 419, 521
CPC A47C 1/124; A47C 3/34; A47C 4/028;
A47C 4/02; A47C 5/12; A47C 5/125;
A47C 7/506; A47C 9/007; A47C 13/005;
A47C 13/023; A47C 31/113; A47C
31/02; A47C 5/06; A47C 5/08; A47C
27/00; A47C 27/086; A47C 31/11; A47C
7/021; A47C 7/0213; A47C 31/00; A47C
31/08; A47C 3/025; A47C 13/00; B60R
2/0284; B60R 2/062; B60R 22/001; B60R
22/24; B60R 22/28; B60R 22/58; B60R
22/64; B60R 22/68; B60R 22/80; B60R
22/99; B60R 22/245; B60R 22/643; B60R
22/646; B60R 22/665; B60R 22/686;
B60R 22/688; B60R 22/803; B60R
22/986; B60R 22/914; B60R 22/995;
A47B 85/04
See application file for complete search history.

(56) **References Cited**
U.S. PATENT DOCUMENTS
2,570,000 A * 10/1951 Lowry A47C 3/025
297/282
D222,450 S * 10/1971 Brook D6/373

D227,634 S * 7/1973 Robinson D6/373
D229,731 S * 1/1974 Walsh D6/371
D237,332 S * 10/1975 Laylon D6/373
D239,222 S * 3/1976 Smith D6/373
4,046,417 A * 9/1977 Beckley A47B 85/04
297/16.1
D246,555 S * 12/1977 Laylon D6/373
D250,922 S * 1/1979 Adkinson D6/379
D260,124 S * 8/1981 Henderson D6/380
D266,716 S * 11/1982 Caldwell D6/373
4,488,755 A * 12/1984 Nemschoff A47C 4/028
297/440.21
D281,935 S * 12/1985 Lowsky D6/373
4,755,000 A * 7/1988 Chiaro A47C 31/02
297/440.15
D498,939 S * 11/2004 Kirkpatrick D6/372

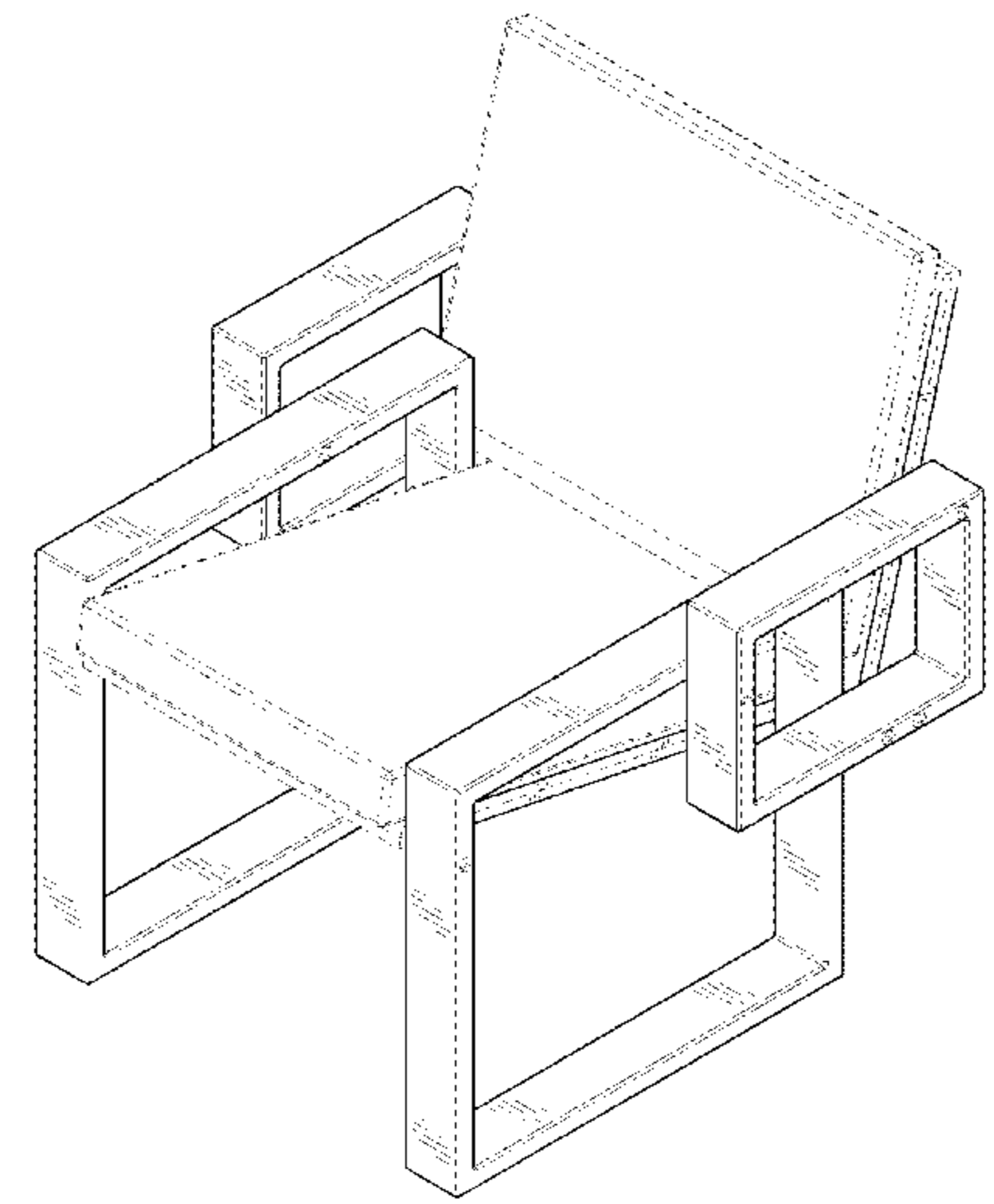
(Continued)

Primary Examiner — Kevin K Rudzinski
Assistant Examiner — Paul D Bohannon
(74) *Attorney, Agent, or Firm* — Zarley Law Firm P.L.C.

(57) **CLAIM**
The ornamental design for a chair, as shown and described.

DESCRIPTION
FIG. 1 is a front perspective view of a chair;
FIG. 2 is a front view of a chair;
FIG. 3 is a back view of a chair;
FIG. 4 is a right side view of a chair;
FIG. 5 is a left side view of a chair;
FIG. 6 is a top view of a chair; and,
FIG. 7 is a bottom view of a chair.
The broken lines showing portions of the design in all figures is included for the purpose of illustrating environment and unclaimed features and forms not part of the claimed design.

1 Claim, 7 Drawing Sheets



(56)

References Cited

U.S. PATENT DOCUMENTS

D542,552 S * 5/2007 Massaud D6/368
D562,020 S * 2/2008 Massaud D6/373
D606,329 S * 12/2009 Van Duysen D6/375
D648,157 S * 11/2011 McCurry D6/717
D731,195 S * 6/2015 Versace D6/371
D821,111 S * 6/2018 Scallions D6/371
D823,019 S * 7/2018 Pila Gonzalez D6/371
D898,398 S * 10/2020 Rubio D6/371
D904,063 S * 12/2020 Rubio D6/371
D909,086 S * 2/2021 Maynes D6/379
2020/0323349 A1 * 10/2020 Murray A47C 7/402

* cited by examiner

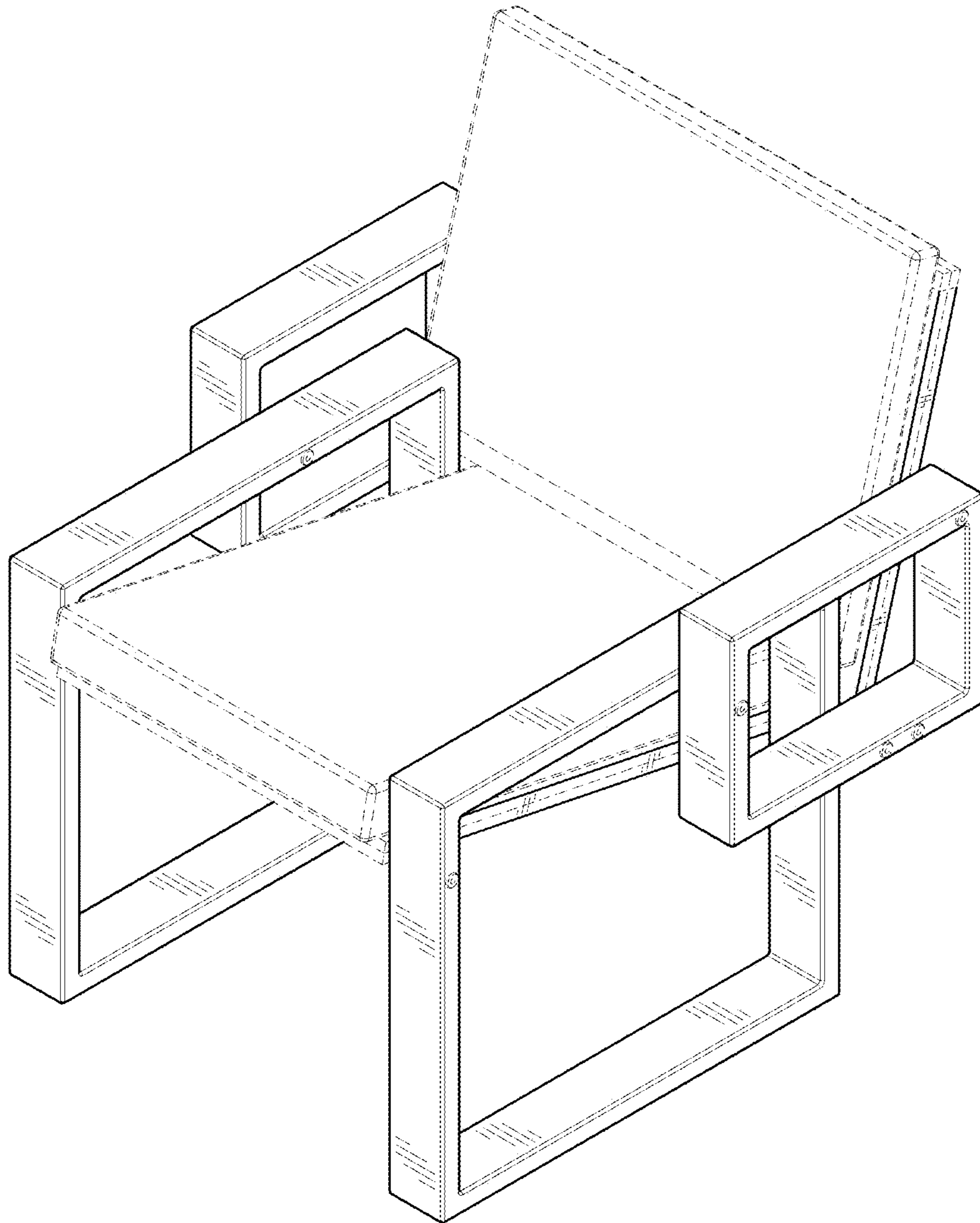


FIG. 1

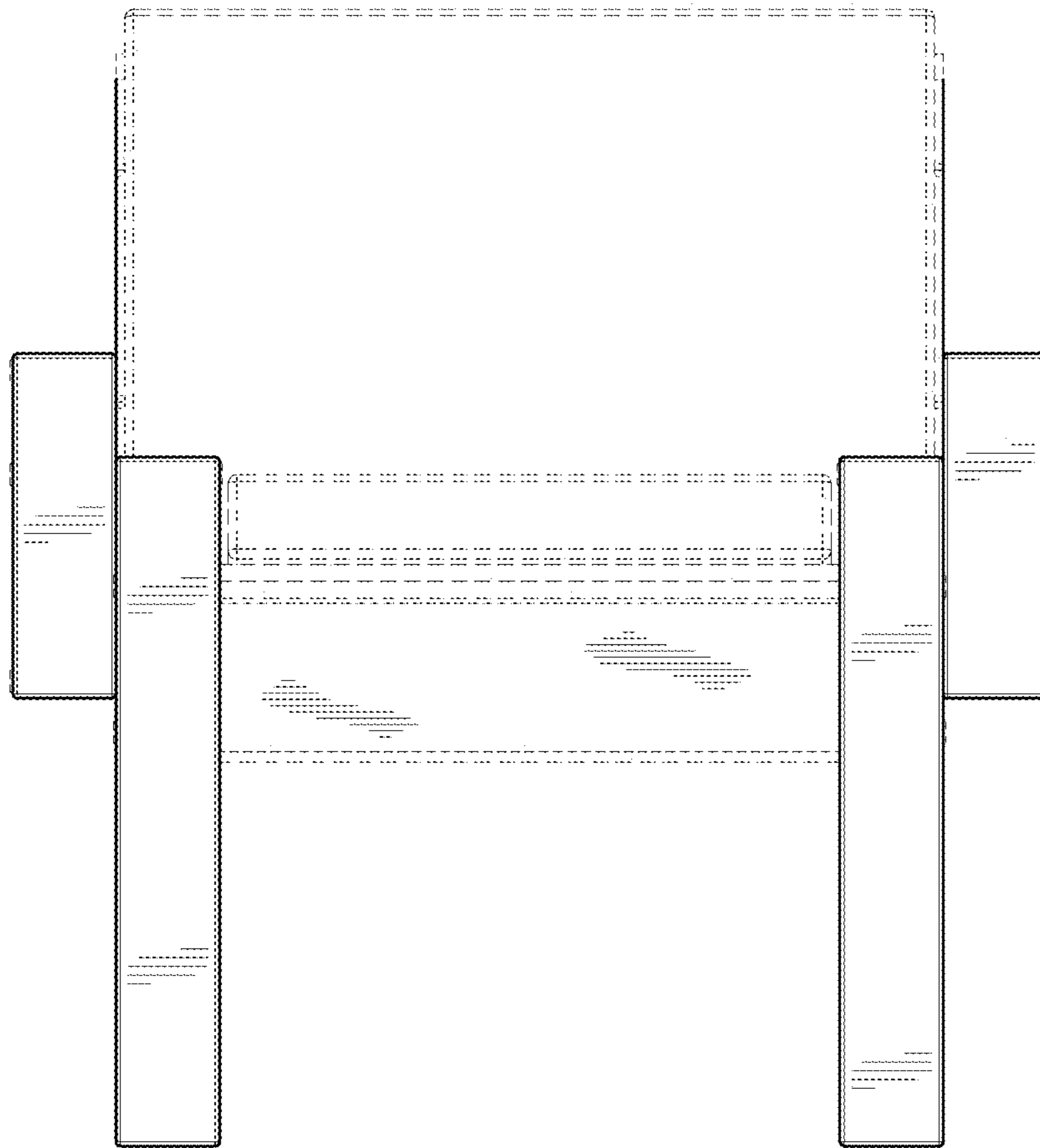


FIG. 2

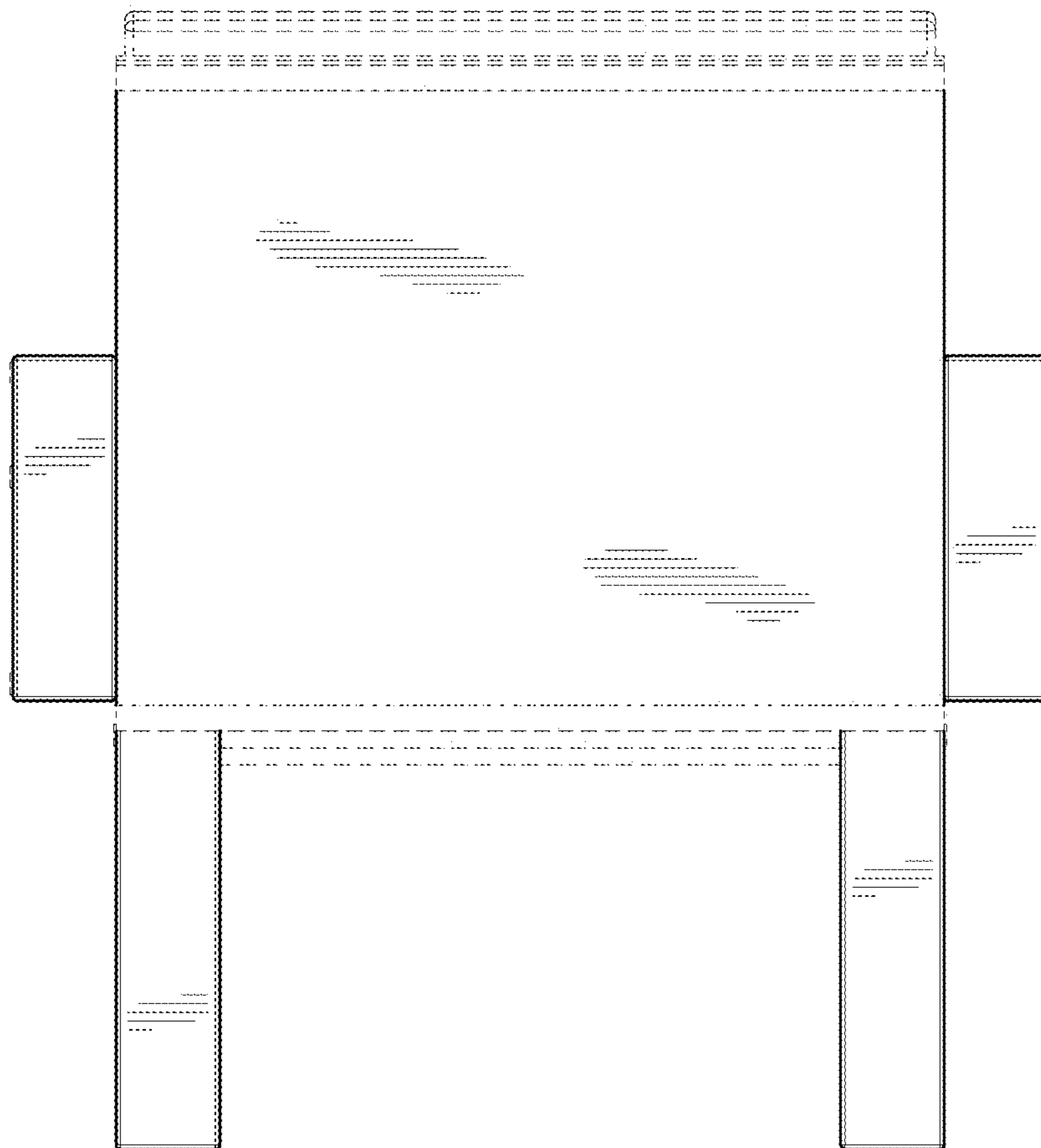


FIG. 3

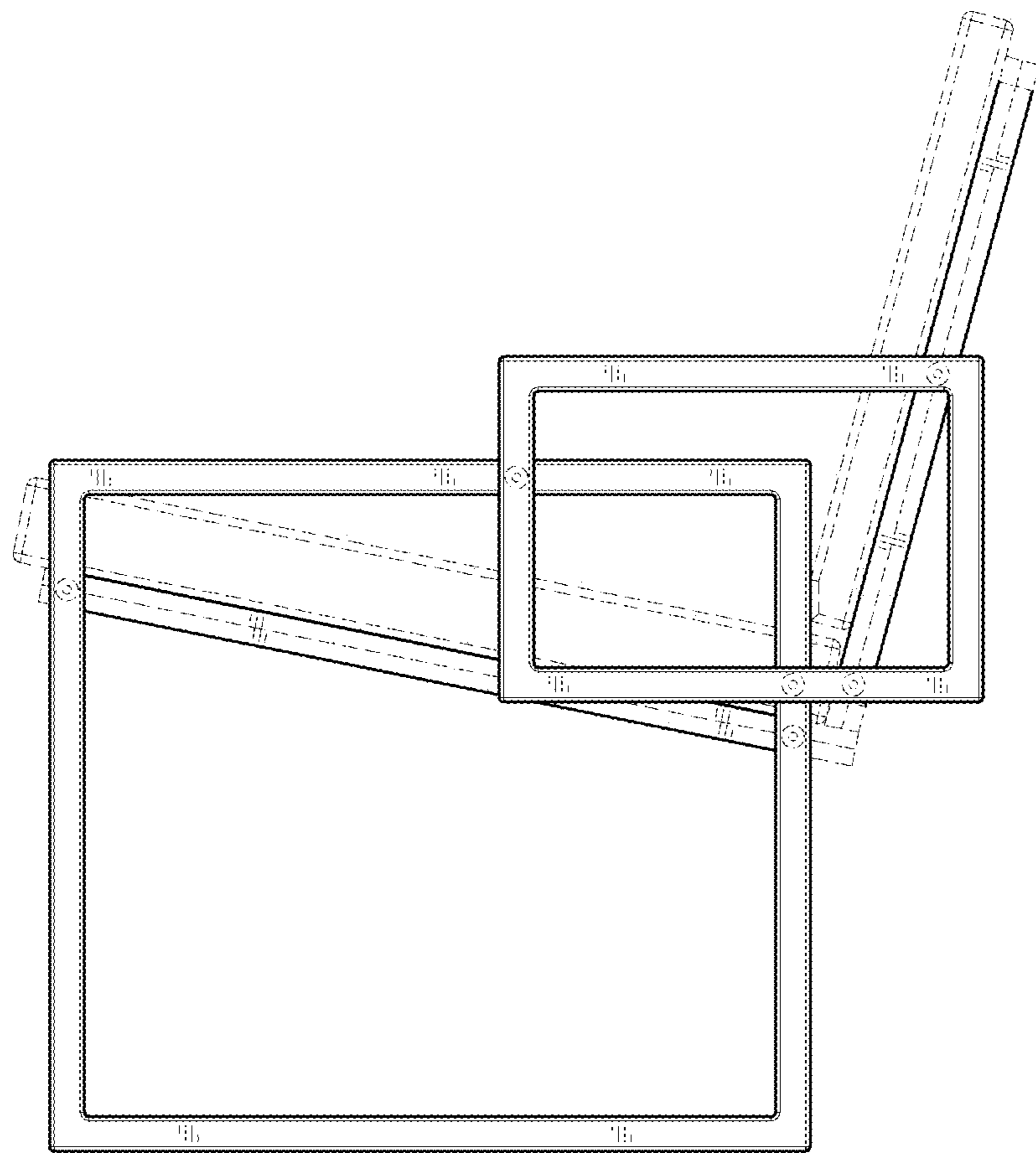


FIG. 4

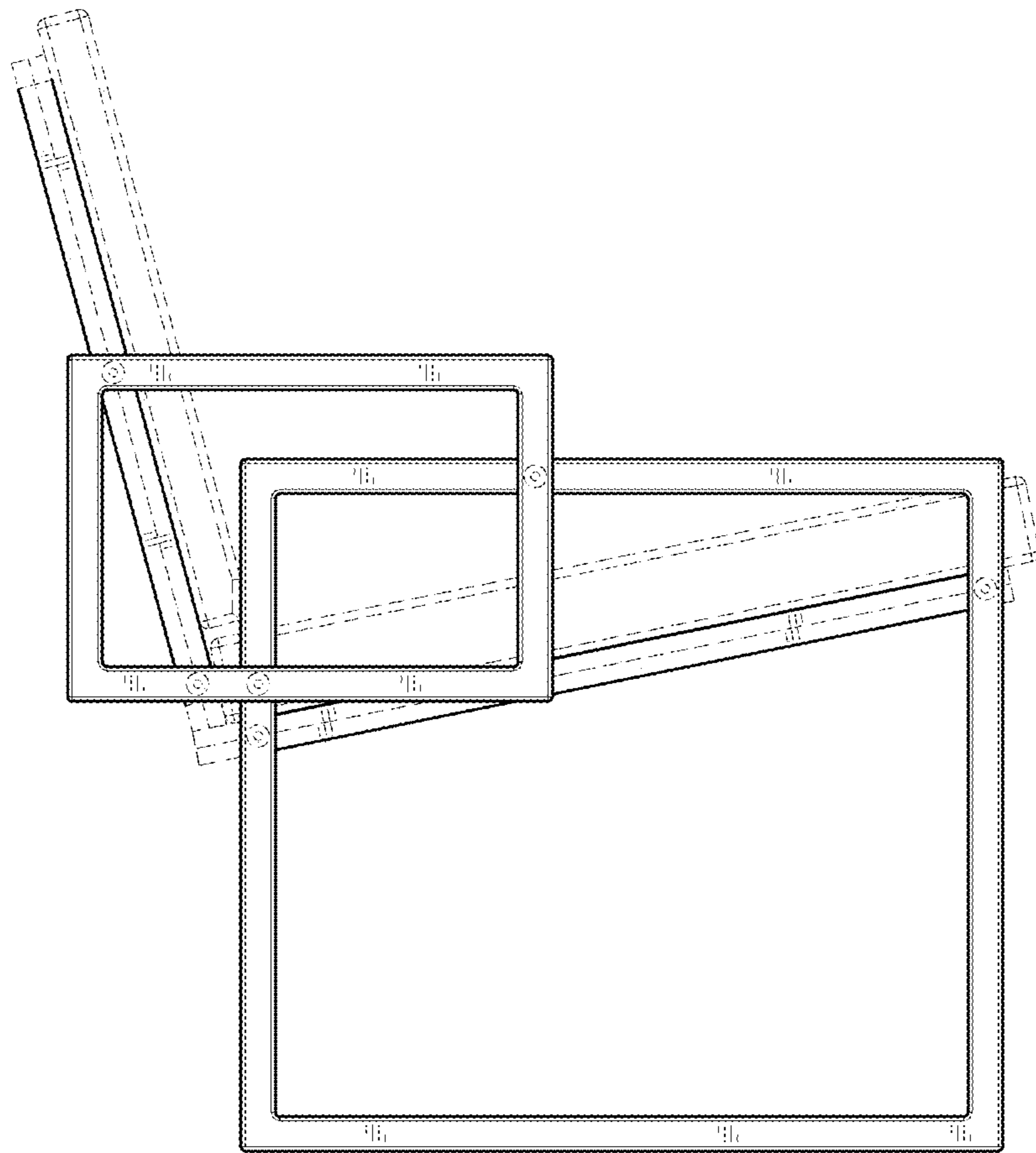


FIG. 5

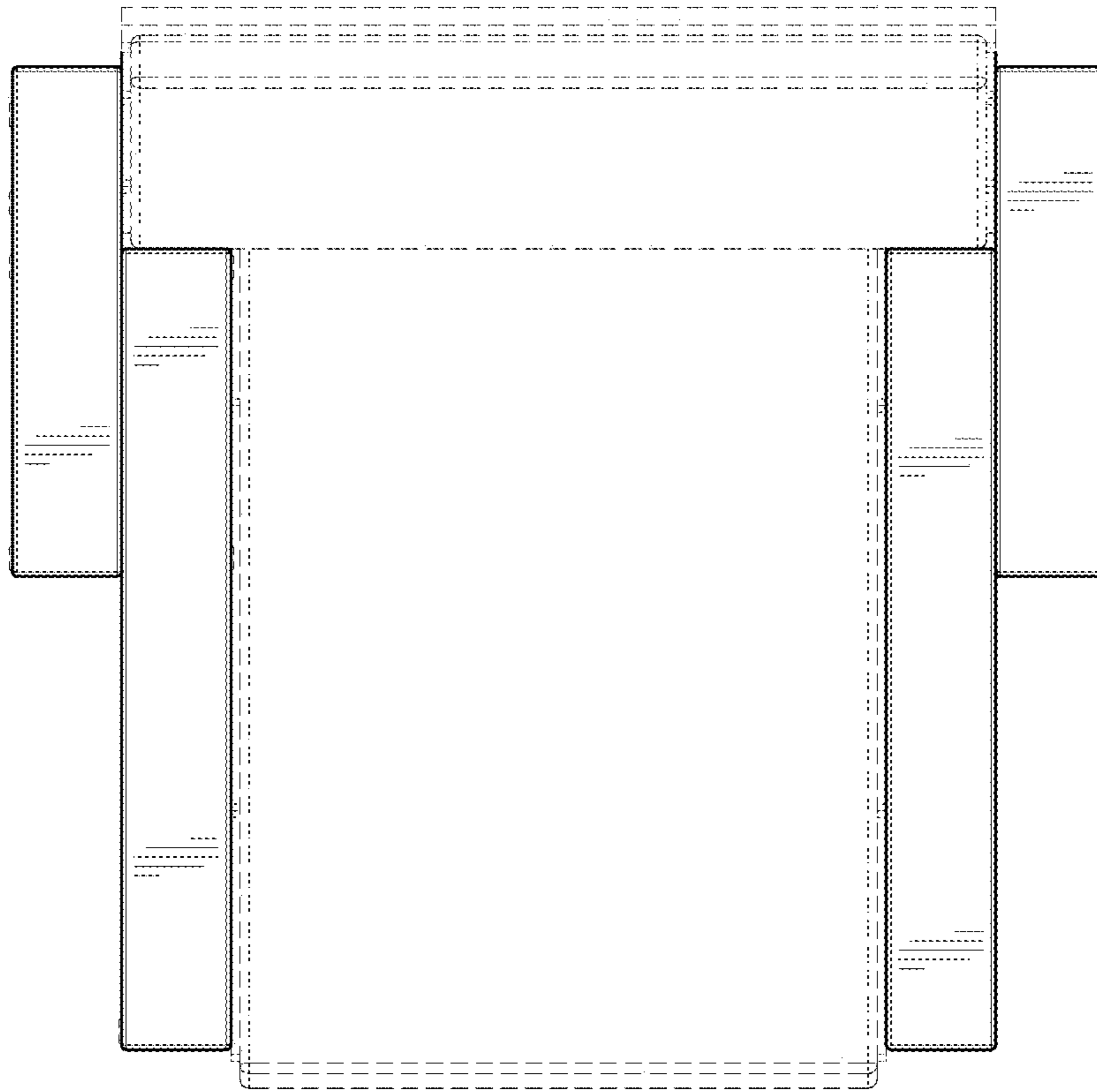


FIG. 6

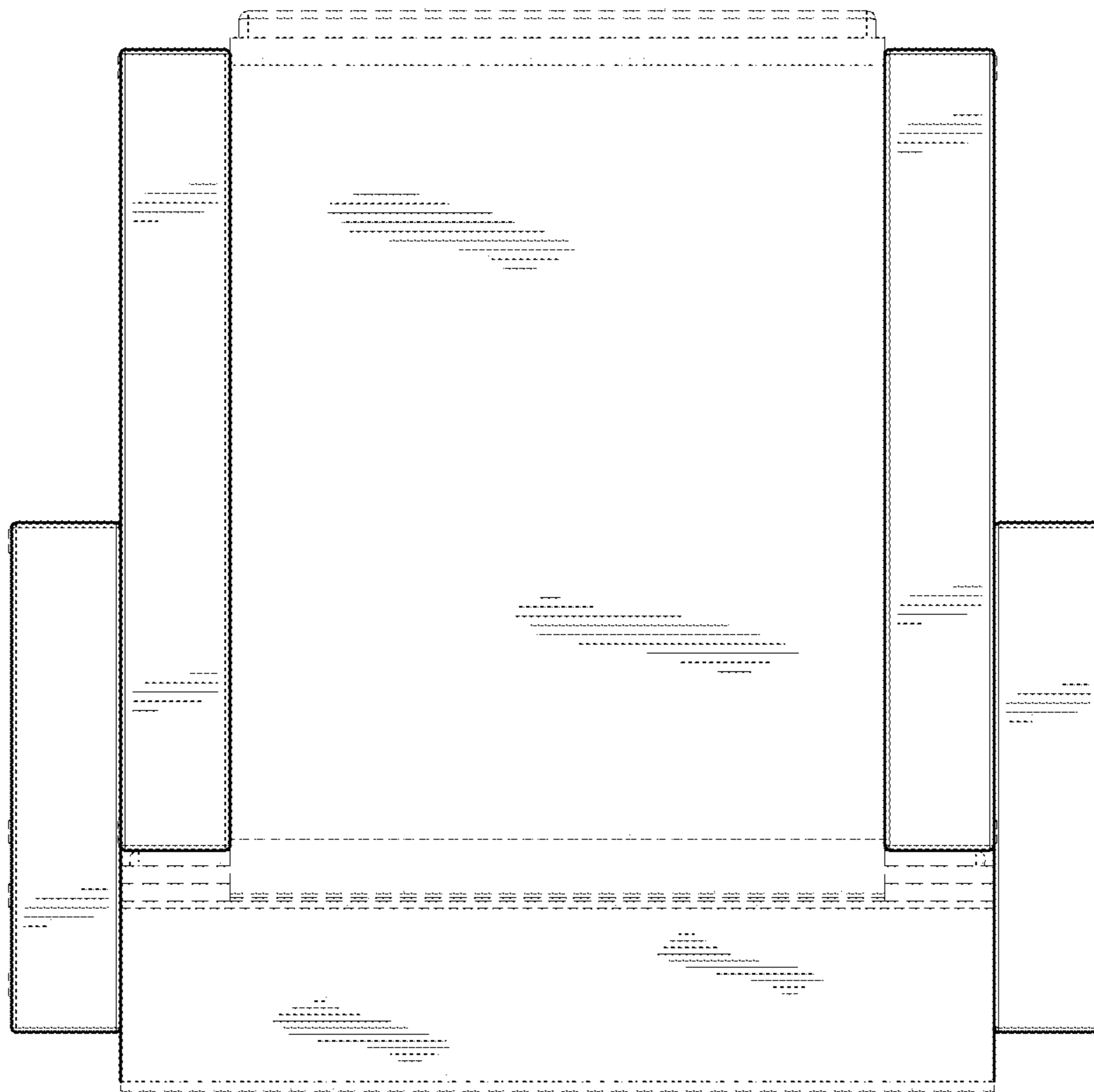


FIG. 7