



US00D955767S

(12) **United States Design Patent**
Wang et al.

(10) **Patent No.:** **US D955,767 S**
(45) **Date of Patent:** **** Jun. 28, 2022**

(54) **CHAIR**

22/686; B60R 22/688; B60R 22/803;
B60R 22/986; B60R 22/914; B60R
22/995; F16B

(71) Applicant: **Henglin Home Furnishings Co., Ltd.**,
Zhejiang (CN)

(Continued)

(72) Inventors: **Jianglin Wang**, Zhejiang (CN); **Lei Liu**, Zhejiang (CN); **Xijiang Huang**, Zhejiang (CN); **Xuan Wang**, Zhejiang (CN)

(56) **References Cited**

U.S. PATENT DOCUMENTS

D507,124 S * 7/2005 Yang D6/366
D541,062 S * 4/2007 Su D6/366
D576,813 S * 9/2008 Baldanzi D6/366

(Continued)

(73) Assignee: **Henglin Home Furnishings Co., Ltd.**,
Zhejiang (CN)

(**) Term: **15 Years**

OTHER PUBLICATIONS

(21) Appl. No.: **29/759,730**

“Sebastiao High Back Executive Mesh Office Chair . . . ” Mar. 21, 2020, wayfair.com, site visited Mar. 23, 2022 <<https://www.wayfair.com/furniture/pdp/ebern-designs-sebastiao-high-back-executive-mesh-office-chair-with-arms-headrest-and-lumbar-support-black-w005355648.html>> (Year: 2020).*

(22) Filed: **Nov. 24, 2020**

(Continued)

(30) **Foreign Application Priority Data**

May 29, 2020 (CN) 202030262185.X

(51) **LOC (13) Cl.** **06-01**

Primary Examiner — Kevin K Rudzinski

(52) **U.S. Cl.**
USPC **D6/366**

Assistant Examiner — Paul D Bohannon

(58) **Field of Classification Search**

USPC D6/356, 364, 365, 366, 367, 379, 716,
D6/716.4, 716.7, 360, 380; D21/521, 695
CPC A47C 1/03294; A47C 1/034; A47C 1/032;
A47C 1/031; A47C 1/023; A47C 3/029;
A47C 3/027; A47C 3/04; A47C 3/02;
A47C 3/12; A47C 4/03; A47C 4/04;
A47C 5/12; A47C 7/029; A47C 7/02;
A47C 7/18; A47C 7/28; A47C 7/32;
A47C 7/38; A47C 7/40; A47C 7/44;
A47C 7/46; A47C 7/54; A47C 7/425;
A47C 7/445; A47C 31/023; A47C 31/04;
B60R 2/0284; B60R 2/062; B60R 22/001;
B60R 22/24; B60R 22/28; B60R 22/58;
B60R 22/64; B60R 22/68; B60R 22/80;
B60R 22/99; B60R 22/245; B60R 22/643;
B60R 22/646; B60R 22/665; B60R

(74) *Attorney, Agent, or Firm* — JCIP Global Inc.

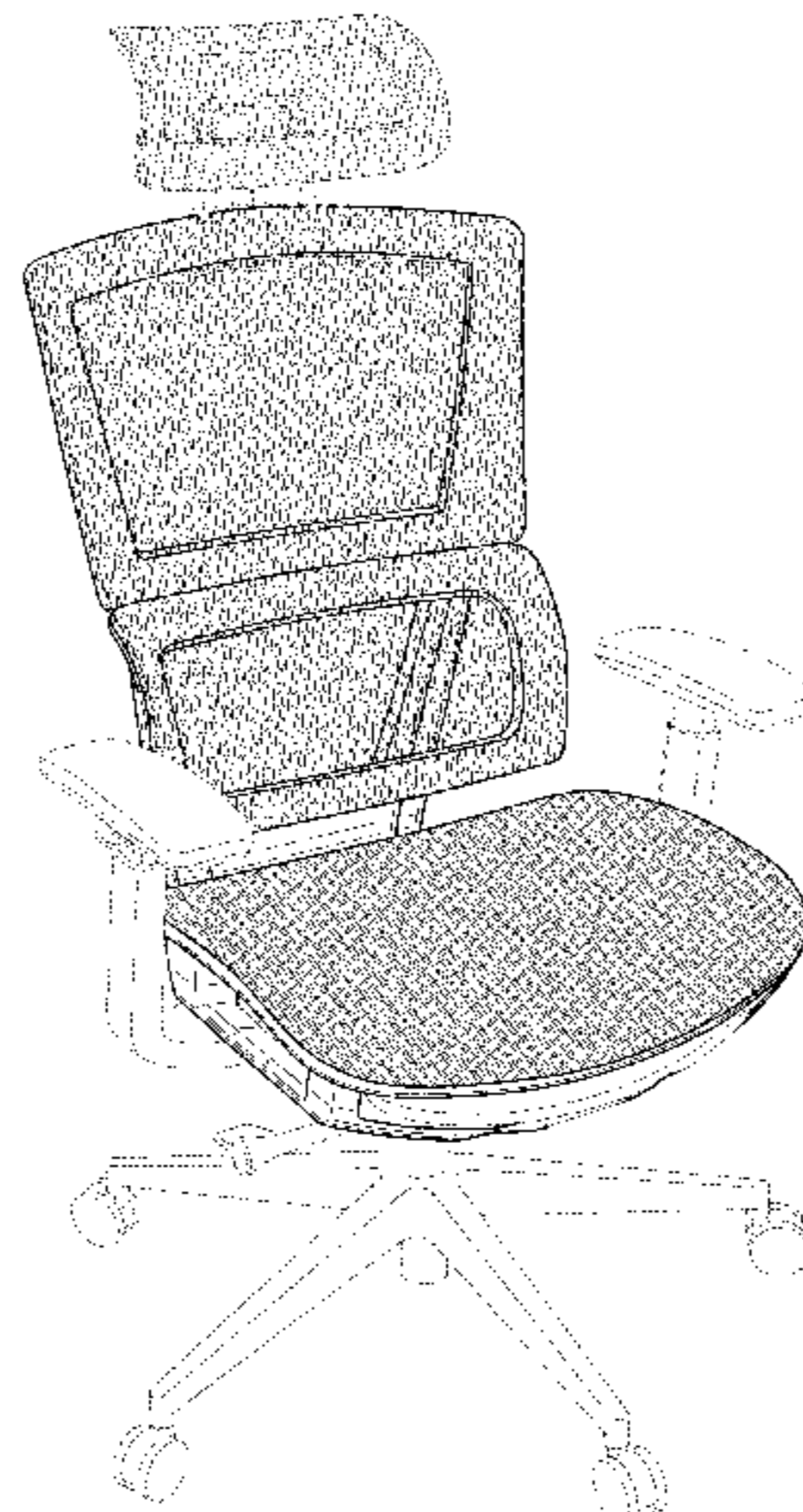
(57) **CLAIM**

The ornamental design for a chair, as shown and described.

DESCRIPTION

FIG. 1 is a perspective view of a chair showing our new design;
FIG. 2 is a front view thereof;
FIG. 3 is a rear view thereof;
FIG. 4 is a left side view thereof;
FIG. 5 is a right side view thereof;
FIG. 6 is a top view thereof; and,
FIG. 7 is another perspective view thereof, wherein the chair is stretched, and a footrest of the chair is pulled out.

(Continued)



A bottom view thereof is omitted since it does not contain ornamental features. The broken line showing of portions of the chair in FIGS. 1-7 forms no part of the claimed design.

1 Claim, 7 Drawing Sheets

(58) Field of Classification Search

CPC 2/08; F16B 45/00; Y10S 297/01; A47D 13/10

See application file for complete search history.

(56)

References Cited

U.S. PATENT DOCUMENTS

D576,814 S *	9/2008	Baldanzi	D6/366
D638,635 S *	5/2011	Sander	D6/366
D650,617 S *	12/2011	Chen	D6/366
D661,916 S *	6/2012	Chen	D6/366
D665,590 S *	8/2012	Wagner	D6/366

D694,541 S *	12/2013	Breen	D6/366
D697,732 S *	1/2014	Wan	D6/366
D706,047 S *	6/2014	Giugiaro	D6/366
D755,532 S *	5/2016	Su	D6/366
D801,741 S *	11/2017	Zhu	D6/366
D802,314 S *	11/2017	Barber	D6/366
10,076,191 B2 *	9/2018	Chen	A47C 7/405
D888,450 S *	6/2020	Zhou	D6/366
D903,353 S *	12/2020	Meda	D6/366
D924,594 S *	7/2021	Zhong	D6/366
D931,640 S *	9/2021	Feng	D6/366
D935,253 S *	11/2021	Wang	D6/716
D935,822 S *	11/2021	Wang	D6/716
2020/0017004 A1 *	1/2020	Jung	B60N 2/2809

OTHER PUBLICATIONS

“XUER Ergonomic Office Chair . . .” Sep. 10, 2019, amazon.com, site visited Mar. 23, 2022 <https://www.amazon.com/XUER-Ergonomic-Adjustable-Multifunction-Relaxation/dp/B07TSHQWTZ/ref=cm_cr_arp_d_product_top?ie=UTF8&th=1> (Year: 2019).*

* cited by examiner

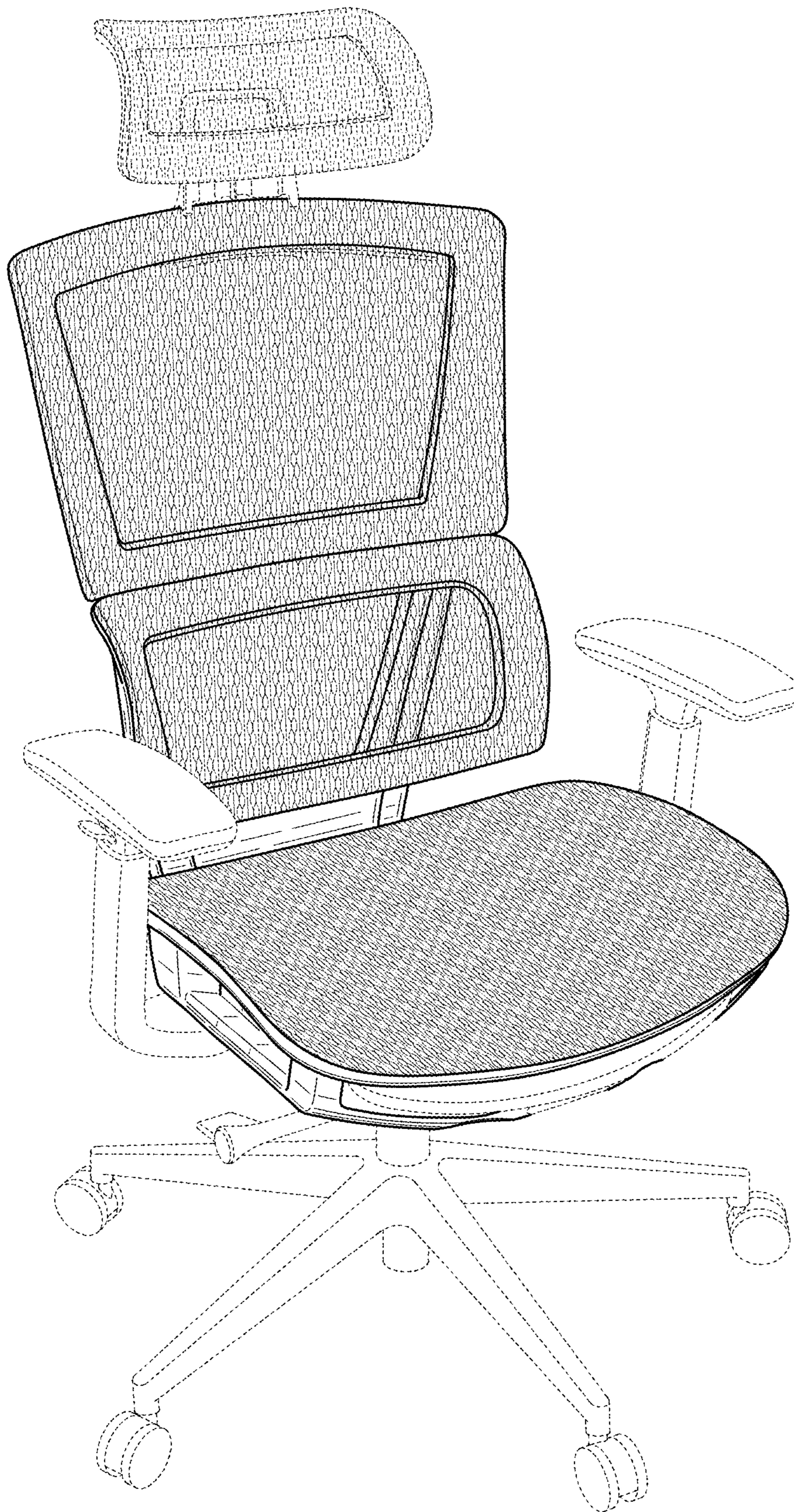


FIG. 1

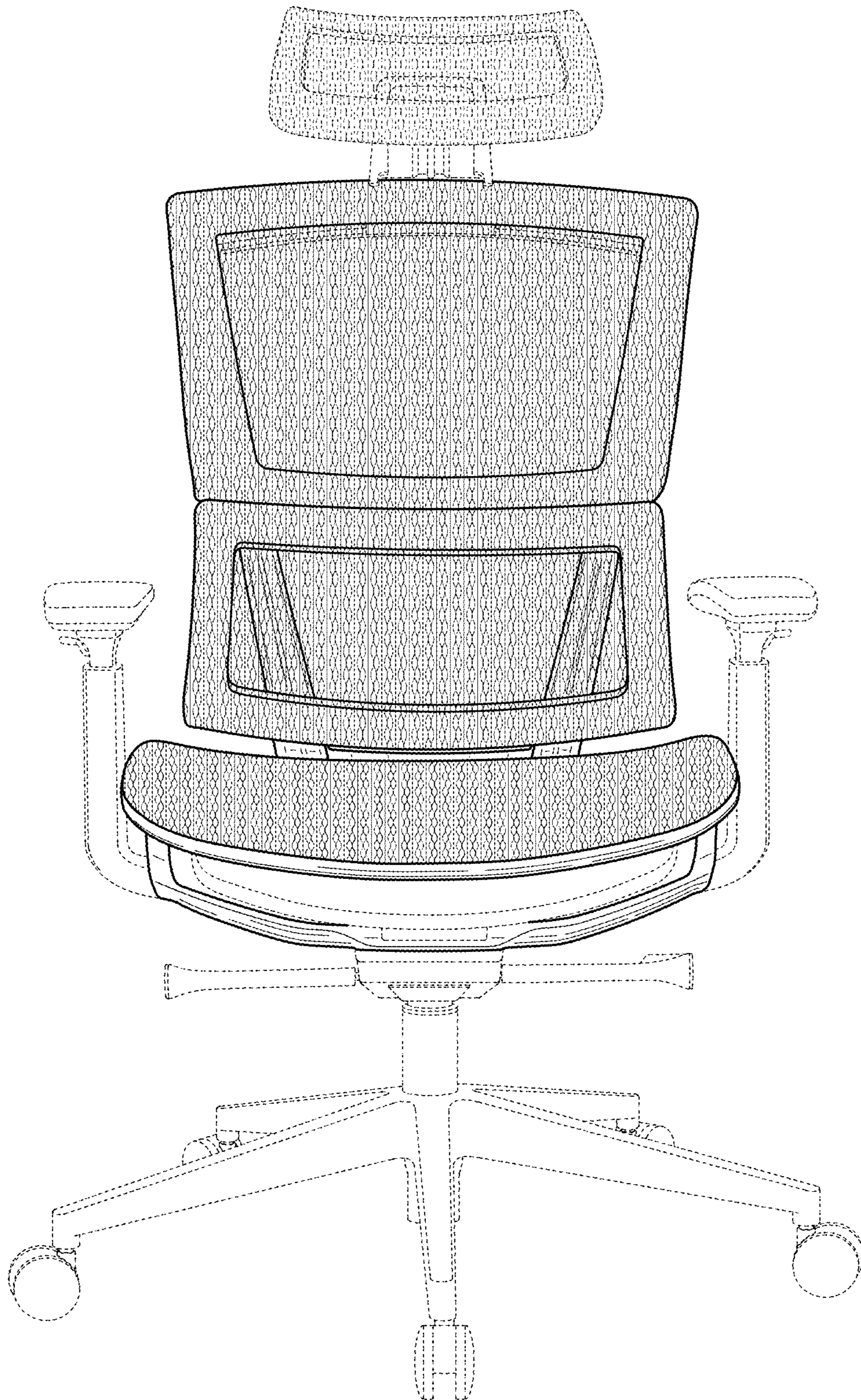


FIG. 2

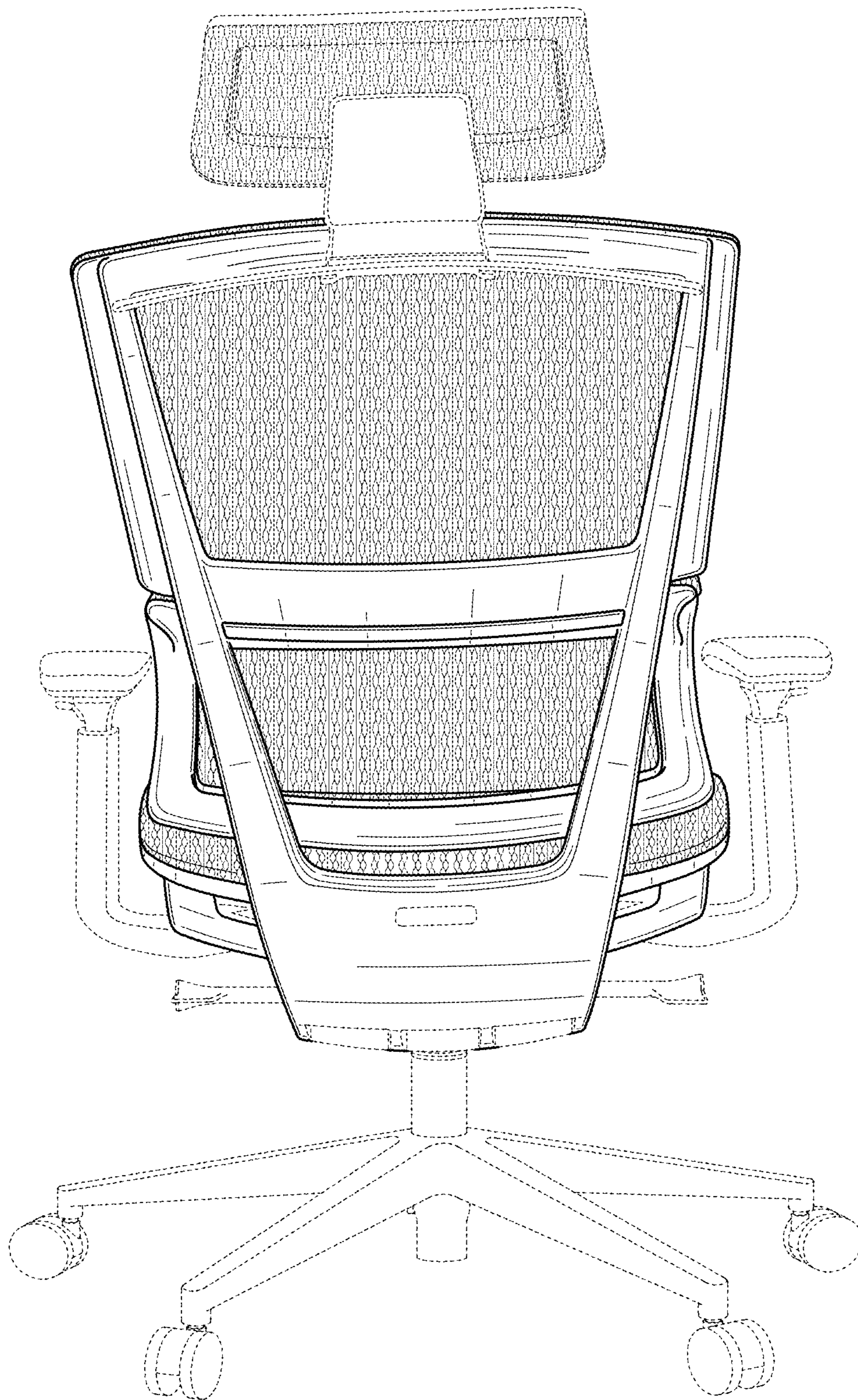


FIG. 3

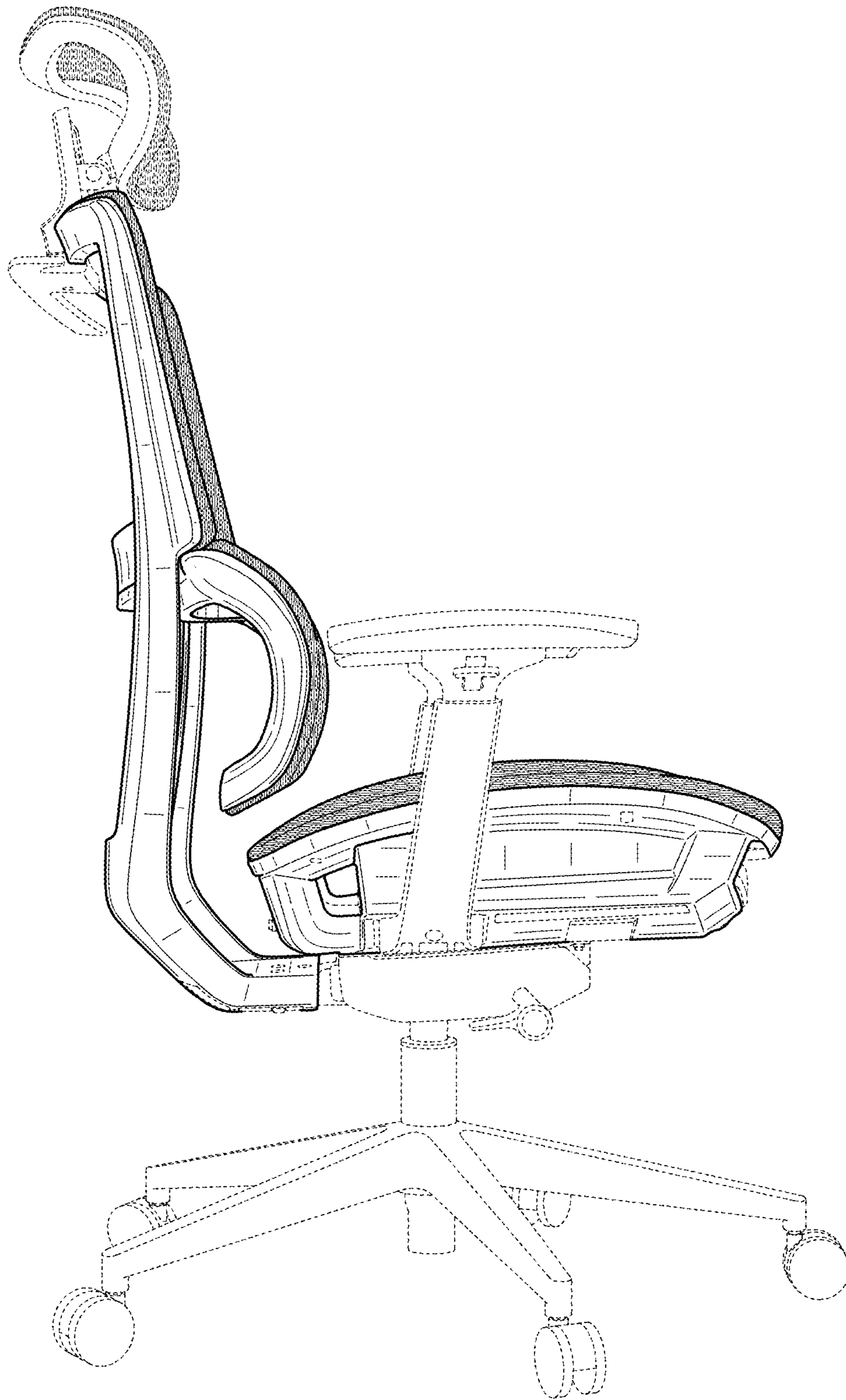


FIG. 4

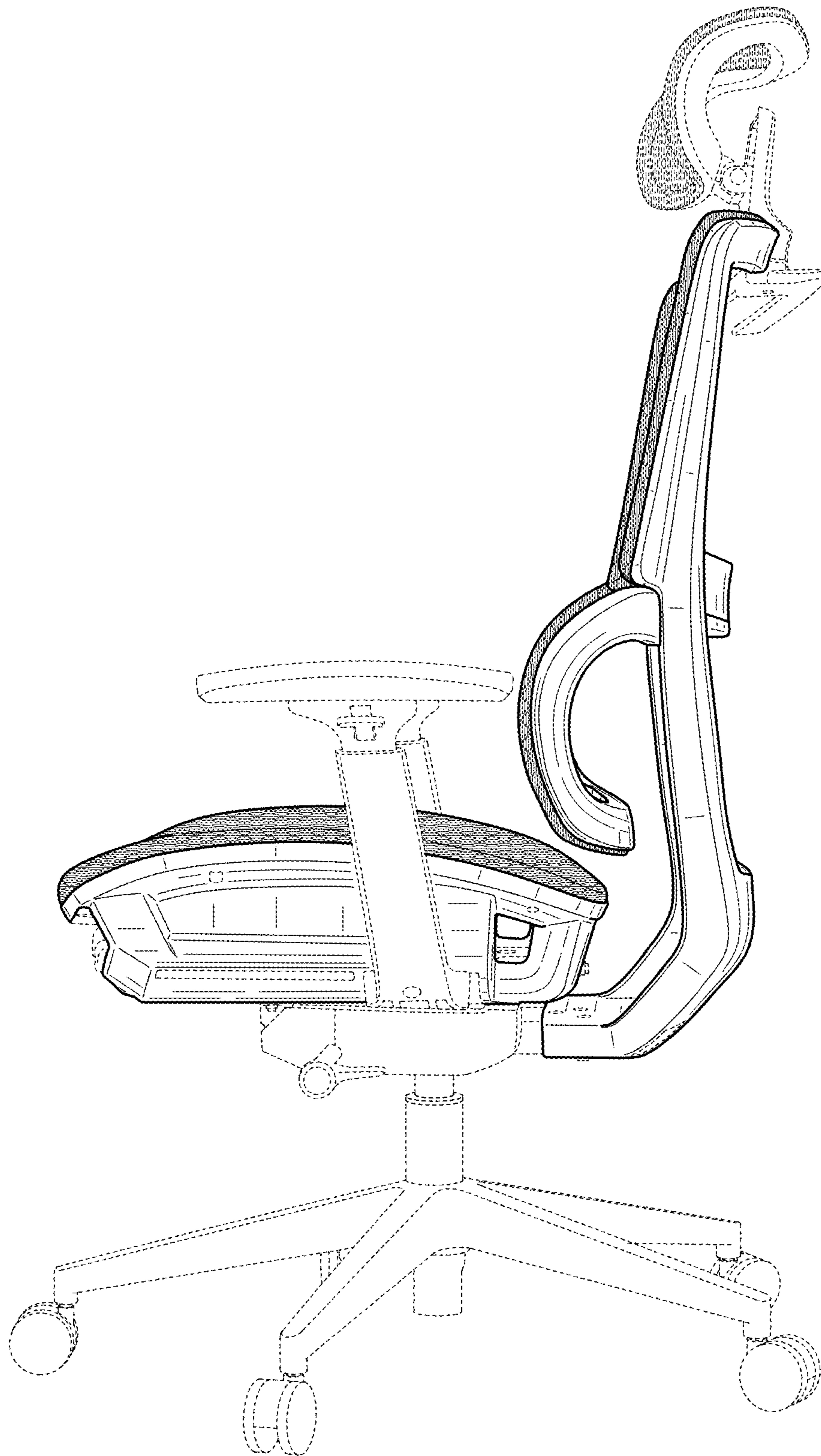


FIG. 5

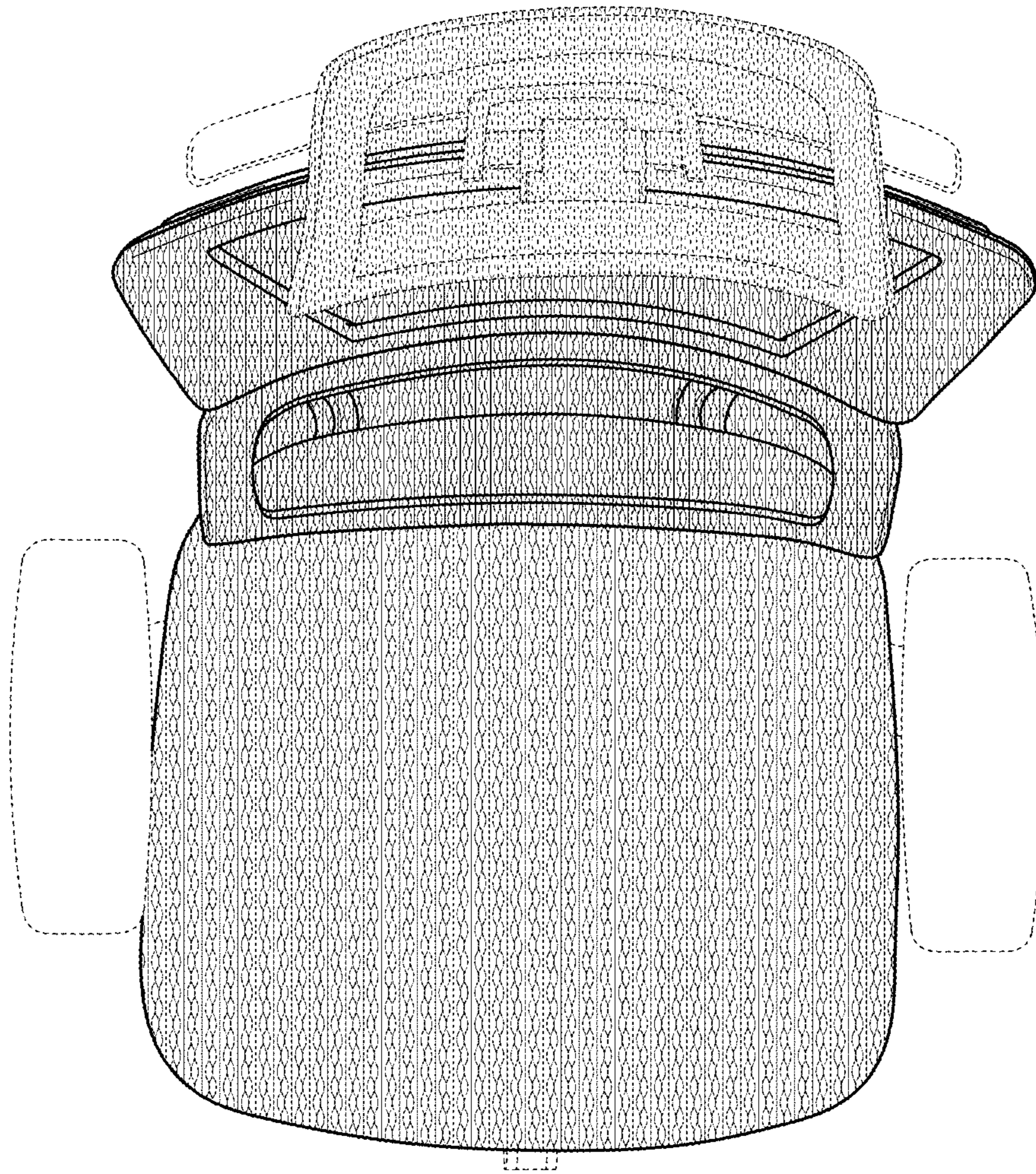


FIG. 6



FIG. 7