



US00D955765S

(12) **United States Design Patent**  
**Bernstrand et al.**

(10) **Patent No.:** **US D955,765 S**

(45) **Date of Patent:** **\*\* Jun. 28, 2022**

(54) **COMPOSITE FURNITURE**

(71) Applicant: **Blå Station AB**, Åhus (SE)

(72) Inventors: **Thomas Bernstrand**, Stockholm (SE);  
**Stefan Borselius**, Trelleborg (SE)

(73) Assignee: **Blå Station AB**, Åhus (SE)

(\*\*) Term: **15 Years**

(21) Appl. No.: **35/510,098**

(22) Filed: **Jul. 30, 2020**

(80) **Hague Agreement Data**

Int. Filing Date: **Jul. 30, 2020**

Int. Reg. No.: **DM/209749**

Int. Reg. Date: **Jul. 30, 2020**

Int. Reg. Pub. Date: **Aug. 21, 2020**

(51) **LOC (13) Cl.** ..... **06-01**

(52) **U.S. Cl.**  
USPC ..... **D6/336**

(58) **Field of Classification Search**  
USPC ..... D6/334, 335, 336, 337, 341, 357, 367,  
D6/371, 374, 375, 378, 381  
CPC ..... A47C 17/00; A47C 17/02; A47C 17/04;  
A47B 83/00; A47B 83/001; A47B 83/02;  
A47B 83/023; A47B 83/04  
See application file for complete search history.

(56) **References Cited**

**U.S. PATENT DOCUMENTS**

D108,989 S *	3/1938	Van Hoesen et al. ....	D6/356
D214,245 S *	5/1969	Sand et al. ....	D6/357
D245,951 S *	10/1977	Lande .....	D6/336
D253,326 S *	11/1979	Brukoff .....	D6/377
D311,283 S *	10/1990	Warren .....	D6/378
D558,471 S *	1/2008	Newhouse .....	D6/337
D610,826 S *	3/2010	Nigro .....	D6/377

D610,827 S *	3/2010	Nigro .....	D6/377
D628,402 S *	12/2010	Missoni .....	D6/381
D675,453 S *	2/2013	Blet .....	D6/335
D689,291 S *	9/2013	Kapka .....	D6/335
D740,039 S *	10/2015	Bouroullec .....	D6/335
D787,206 S *	5/2017	Webb .....	D6/335
D787,208 S *	5/2017	Webb .....	D6/336
D789,104 S *	6/2017	Webb .....	D6/336
D805,310 S *	12/2017	Grcic .....	D6/335
D821,763 S *	7/2018	Woods .....	D6/334
10,159,342 B2 *	12/2018	Gaschy .....	A47B 83/023
D854,839 S *	7/2019	Hiyoshi .....	D6/337
D856,692 S *	8/2019	Veneruso .....	D6/356
D869,178 S *	12/2019	Vaughan .....	D6/335
D880,175 S *	4/2020	Gyllang .....	D6/338
D883,684 S *	5/2020	Urquiola .....	D6/335
D883,686 S *	5/2020	Urquiola .....	D6/336
D883,687 S *	5/2020	Urquiola .....	D6/336
D888,446 S *	6/2020	Grassinger .....	D6/357
D894,623 S *	9/2020	Kimmel .....	D6/357
D901,911 S *	11/2020	Gilles .....	D6/335
D901,912 S *	11/2020	Barber .....	D6/336
D906,705 S *	1/2021	Jang .....	A47C 13/00
			D6/361
D907,934 S *	1/2021	Barber .....	D6/338
D908,374 S *	1/2021	Barber .....	D6/336

(Continued)

*Primary Examiner* — Steven J Czyz

(74) *Attorney, Agent, or Firm* — Marshall, Gerstein & Borun LLP

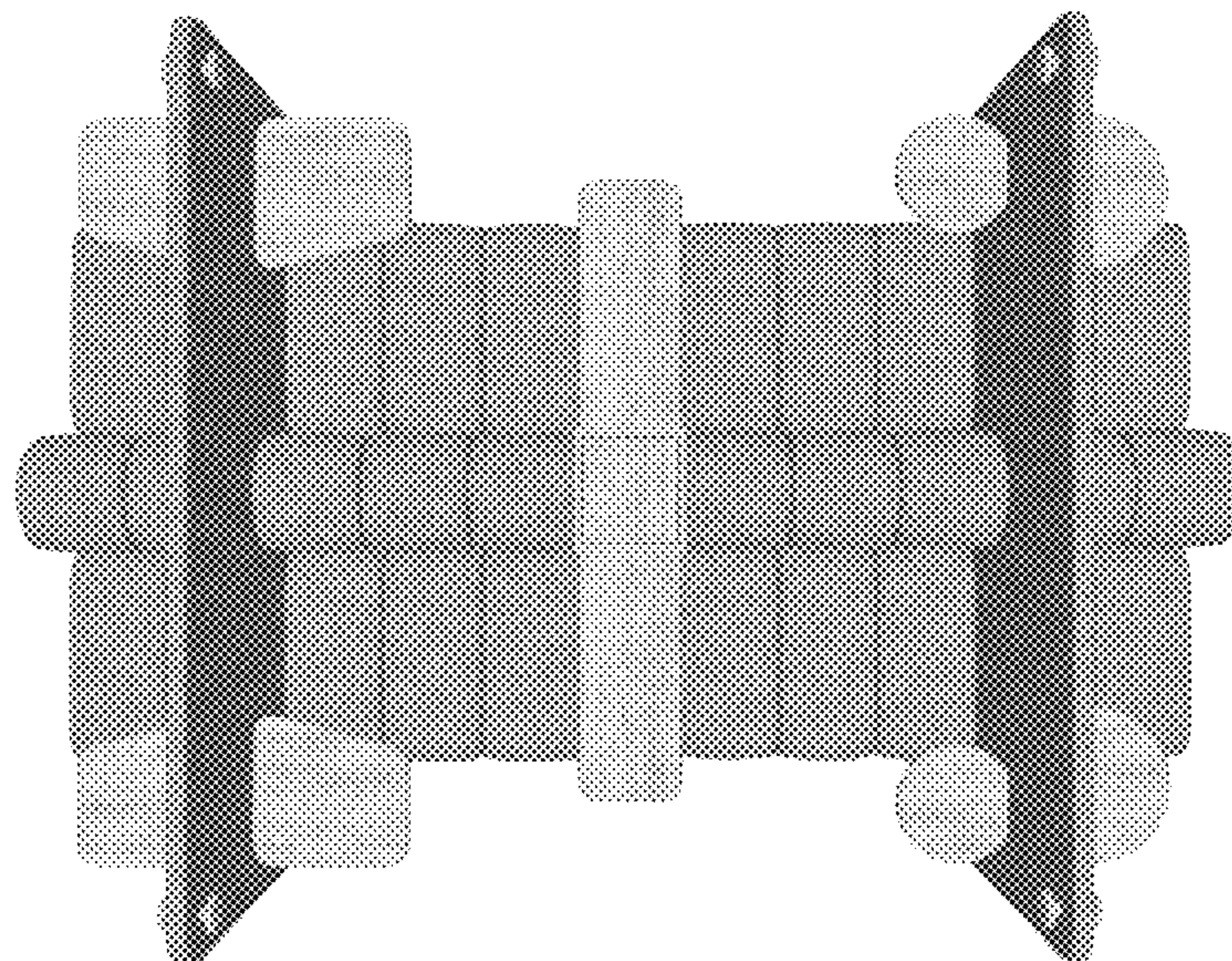
(57) **CLAIM**

The ornamental design for a composite furniture, as shown and described.

**DESCRIPTION**

Figure 1.1 is a top view of the composite furniture of the present invention;  
Figure 1.2 is a front view of the composite furniture shown in Figure 1.1; and  
Figure 1.3 is a top, front, right perspective view of the composite furniture shown in Figure 1.1.

**1 Claim, 3 Drawing Sheets**



(56)

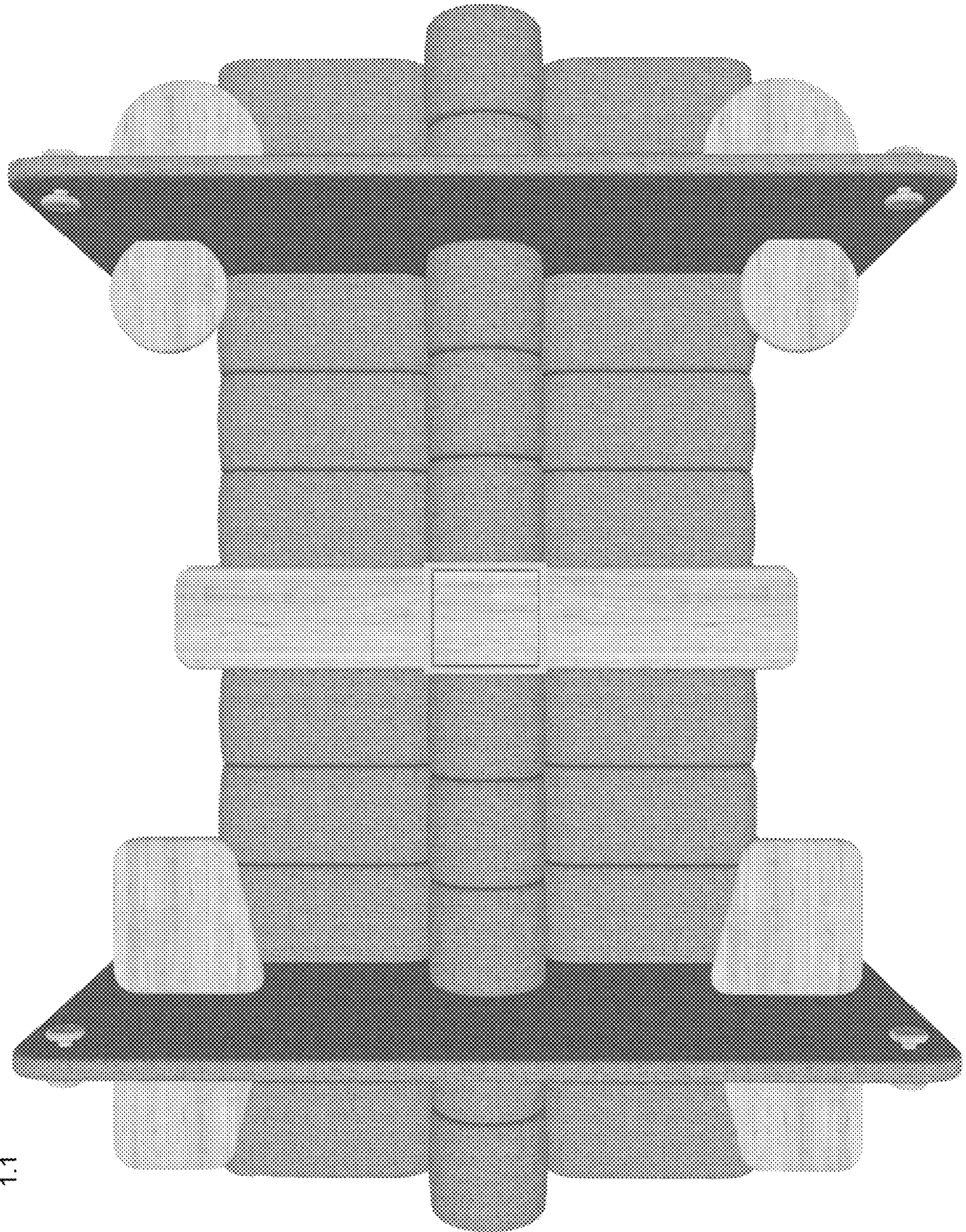
**References Cited**

U.S. PATENT DOCUMENTS

D912,411 S \* 3/2021 Anderssen ..... A47B 83/023  
D6/335  
2005/0140184 A1\* 6/2005 Williams ..... A47C 13/00  
297/135  
2014/0062145 A1\* 3/2014 Iacovoni ..... A47B 83/001  
297/135

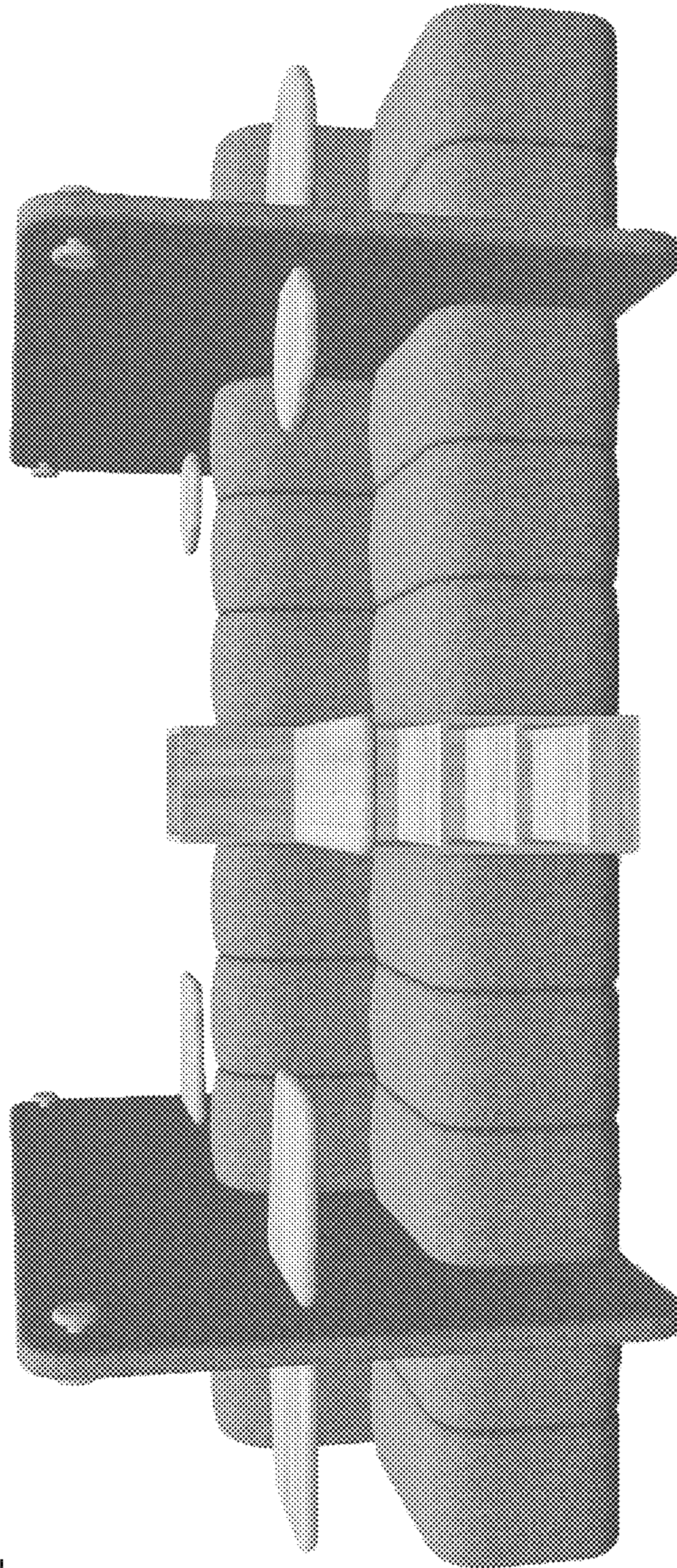
\* cited by examiner





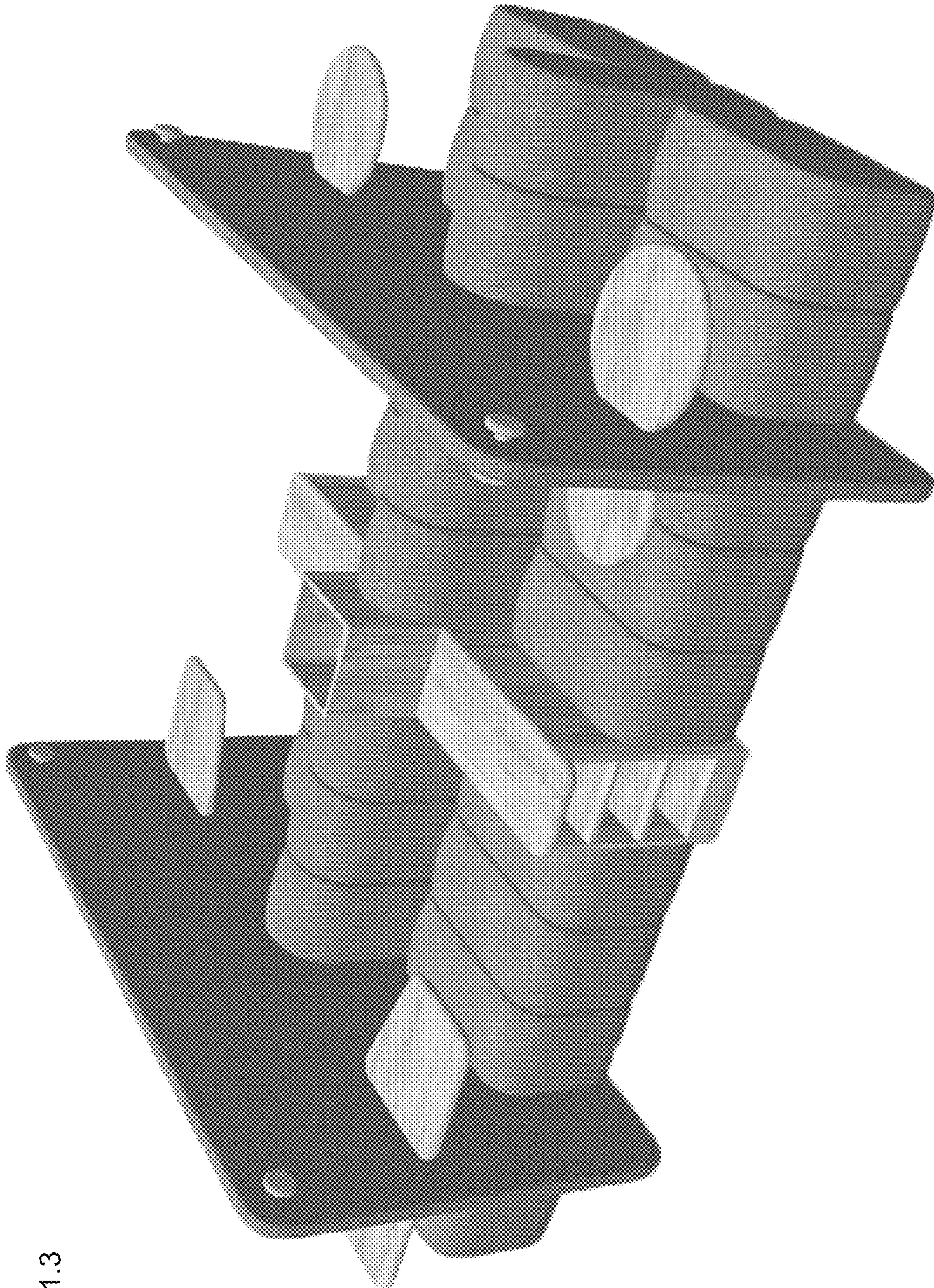
1.1





1.2





1.3



UNITED STATES PATENT AND TRADEMARK OFFICE  
**CERTIFICATE OF CORRECTION**

PATENT NO. : D955,765 S  
APPLICATION NO. : 35/510098  
DATED : June 28, 2022  
INVENTOR(S) : Stefan Borselius et al.

Page 1 of 1

It is certified that error appears in the above-identified patent and that said Letters Patent is hereby corrected as shown below:

On the Title Page

Please add:

**(30) Foreign Application Priority Data**

January 30, 2020 (EM) .....007571898-0001

January 30, 2020 (EM) .....007571898-0002

Signed and Sealed this  
Fifteenth Day of November, 2022



Katherine Kelly Vidal  
*Director of the United States Patent and Trademark Office*