



US00D955764S

(12) **United States Design Patent**
Lu

(10) **Patent No.:** **US D955,764 S**
(45) **Date of Patent:** **** Jun. 28, 2022**

(54) **CLOTHES HANGER FOR PANTS AND SKIRTS**

(71) Applicant: **The Container Store, Inc.**, Coppell, TX (US)

(72) Inventor: **Jinsheng Lu**, Guilin (CN)

(73) Assignee: **The Container Store, Inc.**, Coppell, TX (US)

(**) Term: **15 Years**

(21) Appl. No.: **29/765,915**

(22) Filed: **Jan. 12, 2021**

(51) **LOC (13) Cl.** **06-08**

(52) **U.S. Cl.**
USPC **D6/326**

(58) **Field of Classification Search**
USPC D6/315-328
CPC A47G 25/32; A47G 25/26; A47G 25/28;
A47G 25/485; A47G 25/487; A47G 25/20;
A47G 25/481; A47G 25/442; A47G 25/24;
A47G 25/48; A47G 25/486; A47G 25/36;
A47G 25/1407; A47G 25/30; A47G 25/14;
A47G 25/743; A47G 25/1457

See application file for complete search history.

(56) **References Cited**

U.S. PATENT DOCUMENTS

D144,681 S * 5/1946 Bolten et al. D6/315
2,583,784 A * 1/1952 MacCafferri D06F 55/02
223/91
3,115,286 A * 12/1963 Bassin A47G 25/183
223/96

3,412,911 A * 11/1968 Eshelman A47G 25/28
223/95
3,452,881 A * 7/1969 Jamison A47G 25/743
D6/326
3,463,324 A * 8/1969 Schaefer A47G 25/32
248/251
4,474,298 A * 10/1984 Bishop A47G 25/743
211/113
4,759,480 A * 7/1988 Duester A47G 25/485
211/113
4,901,894 A * 2/1990 Blanchard A47G 25/28
223/96
D410,793 S * 6/1999 Gouldson D6/315
D502,012 S * 2/2005 Greiner D6/326
8,444,029 B2 * 5/2013 Ferraro A47G 25/34
223/91
D866,990 S * 11/2019 Nie D6/326

* cited by examiner

Primary Examiner — Lauren R Calve

(74) *Attorney, Agent, or Firm* — Hubbard Law, PLLC

(57) **CLAIM**

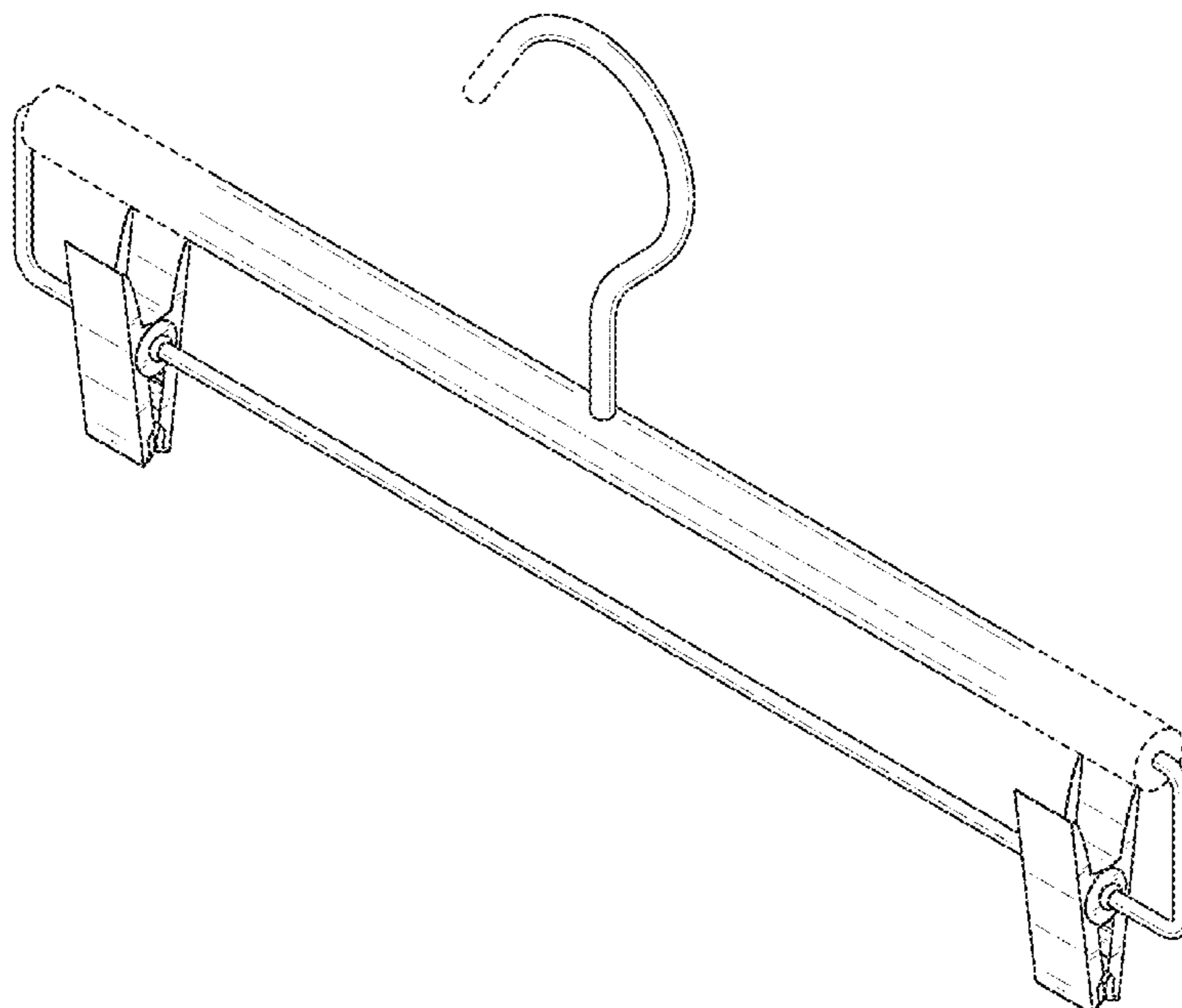
The ornamental design for a clothes hanger for pants and skirts, as shown and described.

DESCRIPTION

FIG. 1 is a front perspective view of a clothes hanger for pants and skirts;
FIG. 2 is a front elevation view thereof;
FIG. 3 is a rear elevation view thereof;
FIG. 4 is a top view thereof;
FIG. 5 is a bottom view thereof;
FIG. 6 is a right side thereof; and,
FIG. 7 is a left side view thereof.

The broken lines shown represent portions of the clothes hanger for pants and skirts that form no part of the claimed design.

1 Claim, 7 Drawing Sheets



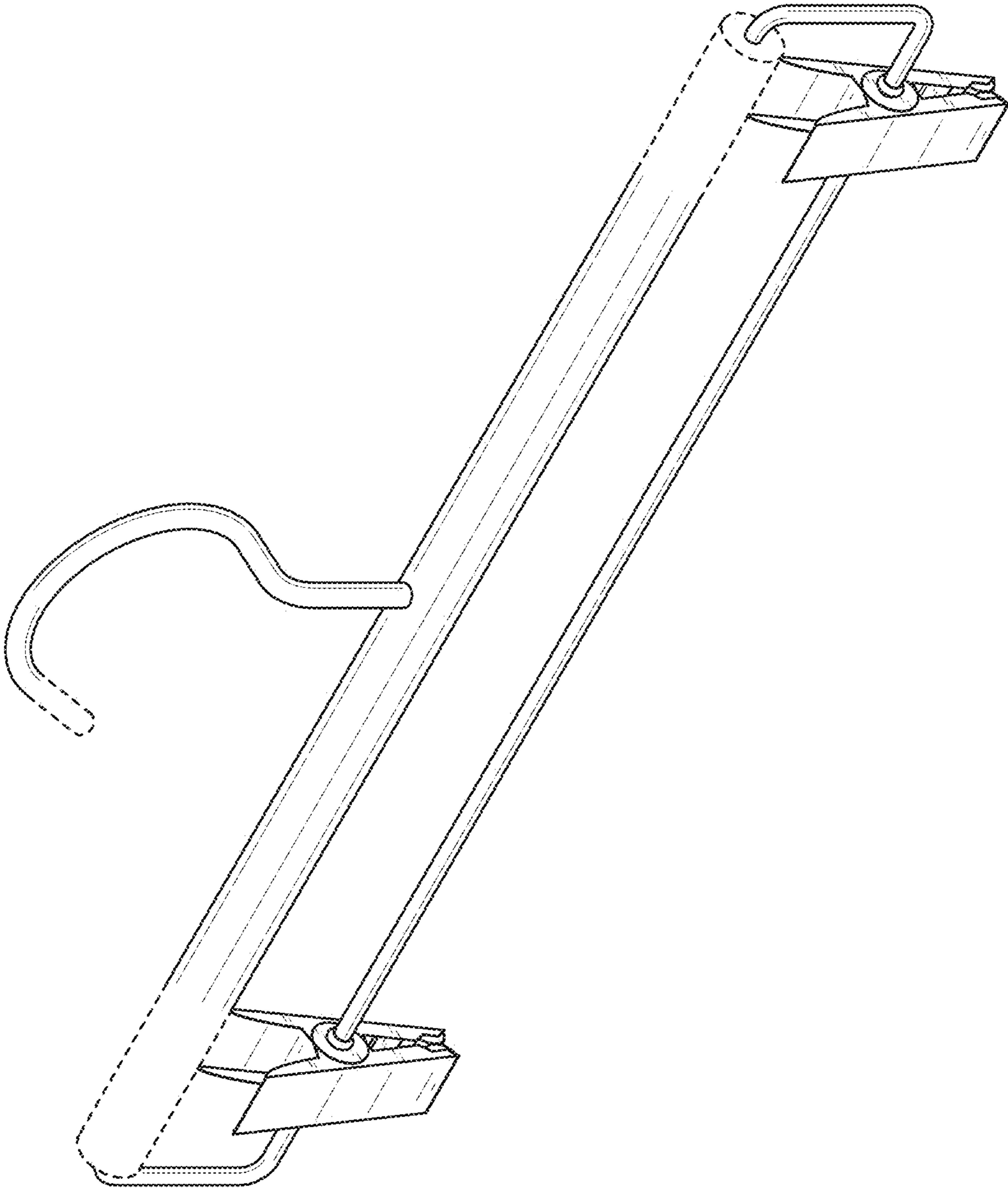


FIG. 1

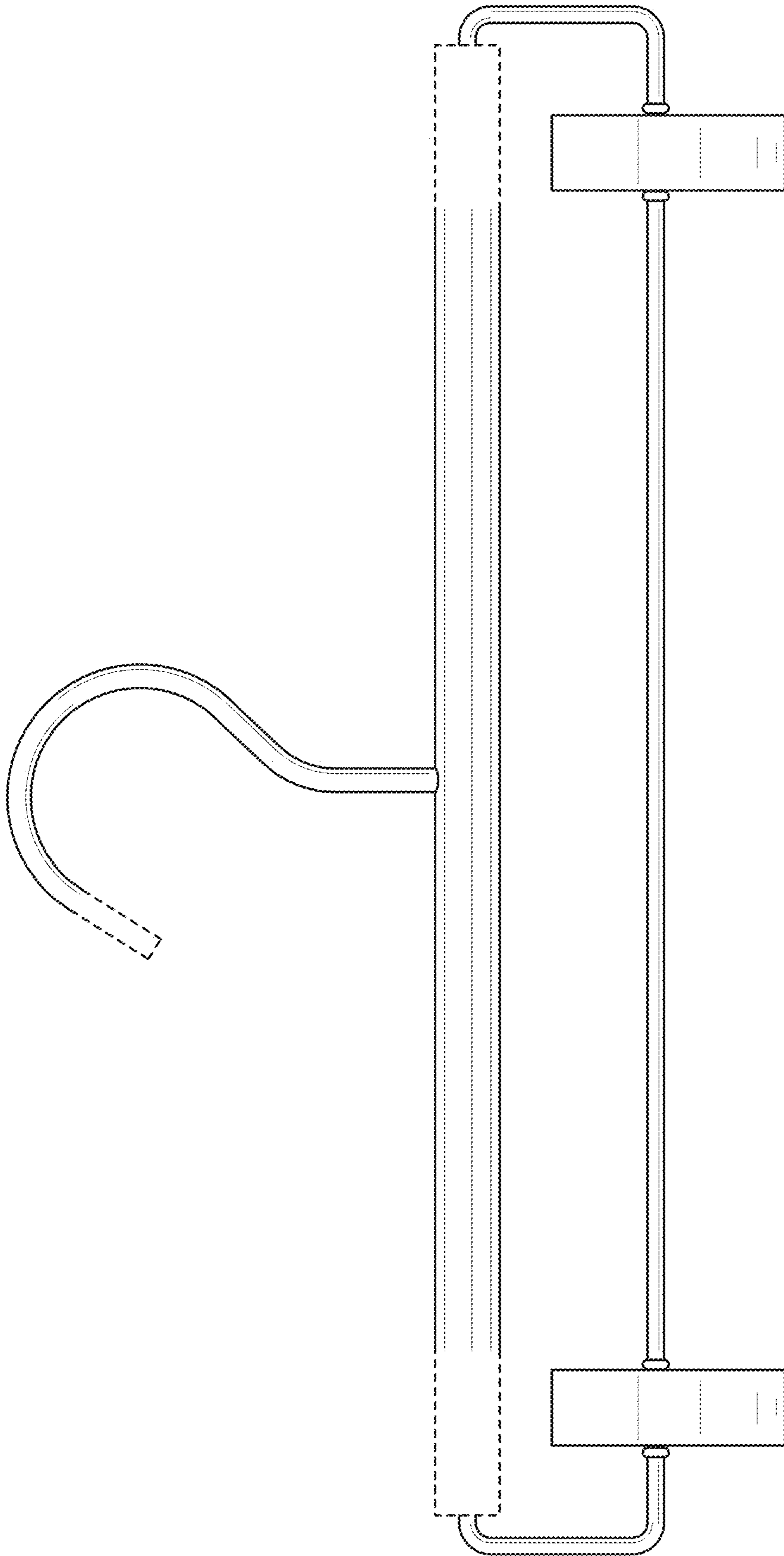


FIG. 2

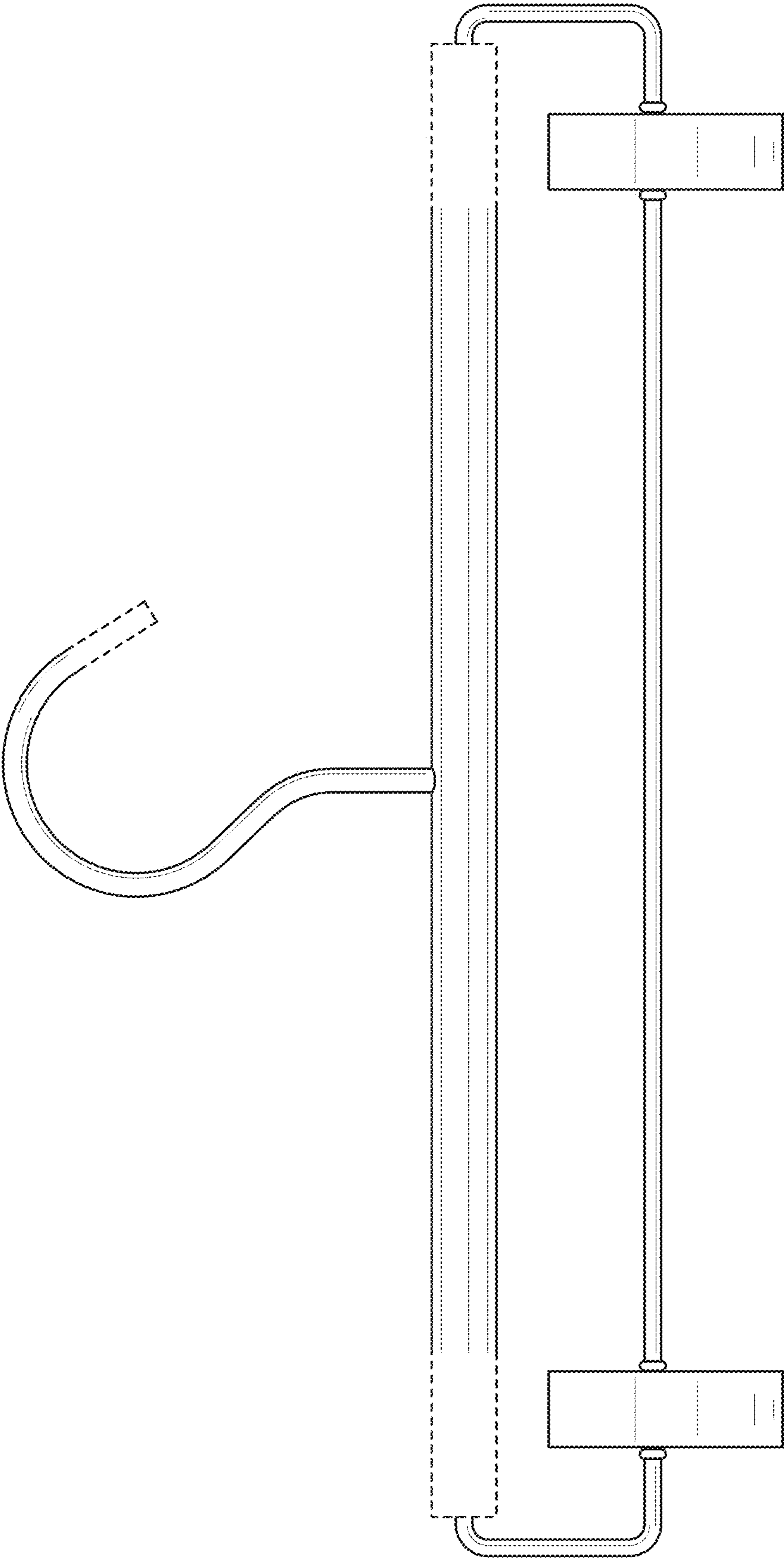


FIG. 3

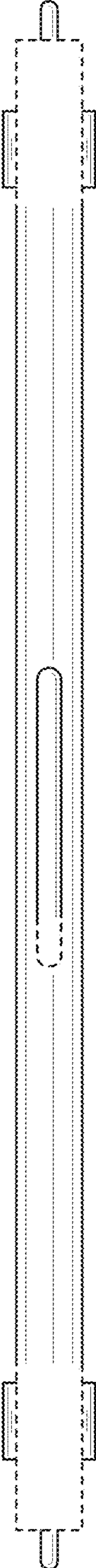


FIG. 4

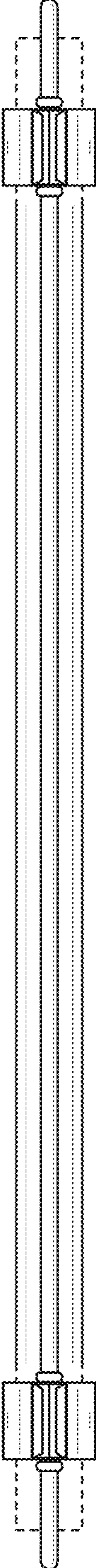


FIG. 5

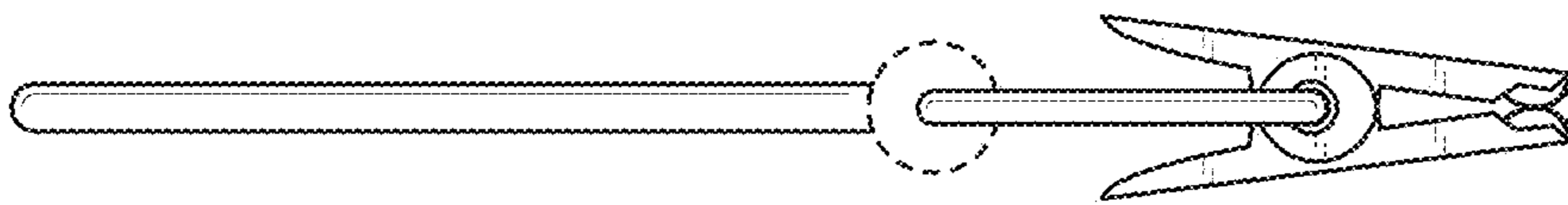


FIG. 6

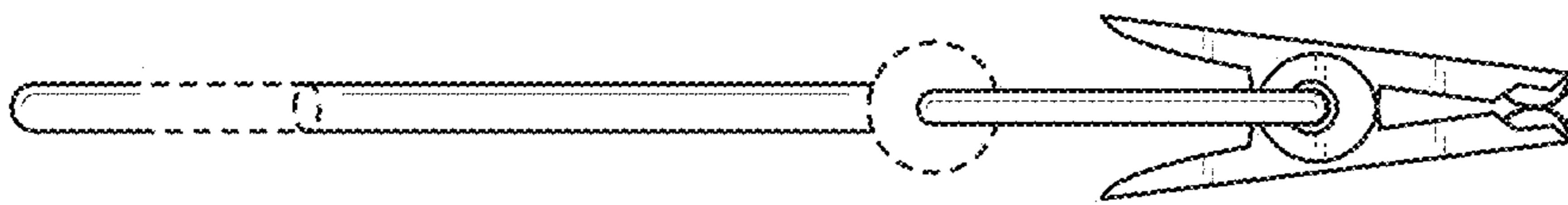


FIG. 7