



US00D955762S

(12) **United States Design Patent**  
**Lu**

(10) **Patent No.:** **US D955,762 S**  
(45) **Date of Patent:** **\*\* Jun. 28, 2022**

(54) **HANGER FOR ACCESSORIES**  
(71) Applicant: **The Container Store, Inc.**, Coppell,  
TX (US)  
(72) Inventor: **Jinsheng Lu**, Guilin (CN)  
(73) Assignee: **The Container Store, Inc.**, Coppell,  
TX (US)  
(\*\*) Term: **15 Years**  
(21) Appl. No.: **29/765,916**  
(22) Filed: **Jan. 12, 2021**  
(51) **LOC (13) Cl.** ..... **06-08**  
(52) **U.S. Cl.**  
USPC ..... **D6/315**  
(58) **Field of Classification Search**  
USPC ..... D6/315-328  
CPC ..... A47G 25/26; A47G 25/28; A47G 25/30;  
A47G 25/32; A47G 25/34; A47G 25/36;  
A47G 25/38; A47G 25/442; A47G  
25/625; A47G 25/743; A47G 25/1407;  
A47G 25/1457; A47G 2025/1492; A47F  
7/18; A47F 7/19; A47F 7/22  
See application file for complete search history.

D334,316 S \* 3/1993 Daniel ..... D6/552  
D438,022 S \* 2/2001 Bunn ..... D6/317  
D526,131 S \* 8/2006 McGowan ..... D6/317  
D560,372 S \* 1/2008 Lee ..... D6/315  
D574,160 S \* 8/2008 Therrio ..... D6/315  
D858,115 S \* 9/2019 Rodriguez ..... D6/315  
2007/0125811 A1\* 6/2007 Oliveira-Martinez .....  
A47G 25/743  
223/85  
2010/0006608 A1\* 1/2010 Domb ..... A47G 25/50  
223/86

\* cited by examiner

*Primary Examiner* — Lauren R Calve  
(74) *Attorney, Agent, or Firm* — Hubbard Law, PLLC

(57) **CLAIM**

The ornamental design for a hanger for accessories, as shown and described.

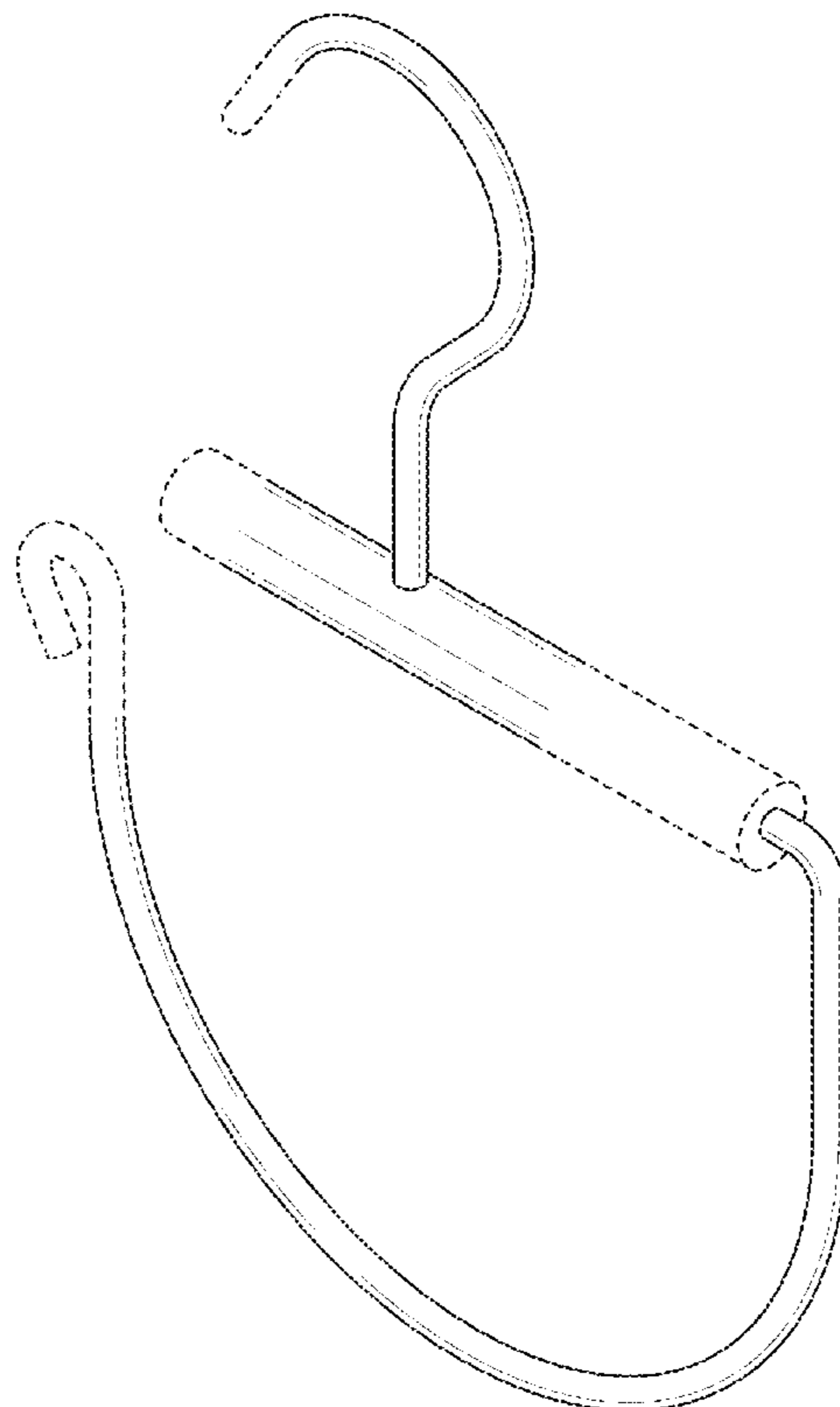
**DESCRIPTION**

FIG. 1 is a front perspective view of a hanger for accessories;  
FIG. 2 is a front elevation view thereof;  
FIG. 3 is a rear elevation view thereof;  
FIG. 4 is a top view thereof;  
FIG. 5 is a bottom view thereof;  
FIG. 6 is a right side view thereof; and,  
FIG. 7 is a left side view thereof.  
The broken lines shown represent portions of the hanger for accessories that form no part of the claimed design.

(56) **References Cited**  
U.S. PATENT DOCUMENTS

D54,960 S \* 4/1920 Schneider ..... D6/315  
3,370,715 A \* 2/1968 Kolozsvari ..... A47G 25/743  
211/115

**1 Claim, 7 Drawing Sheets**



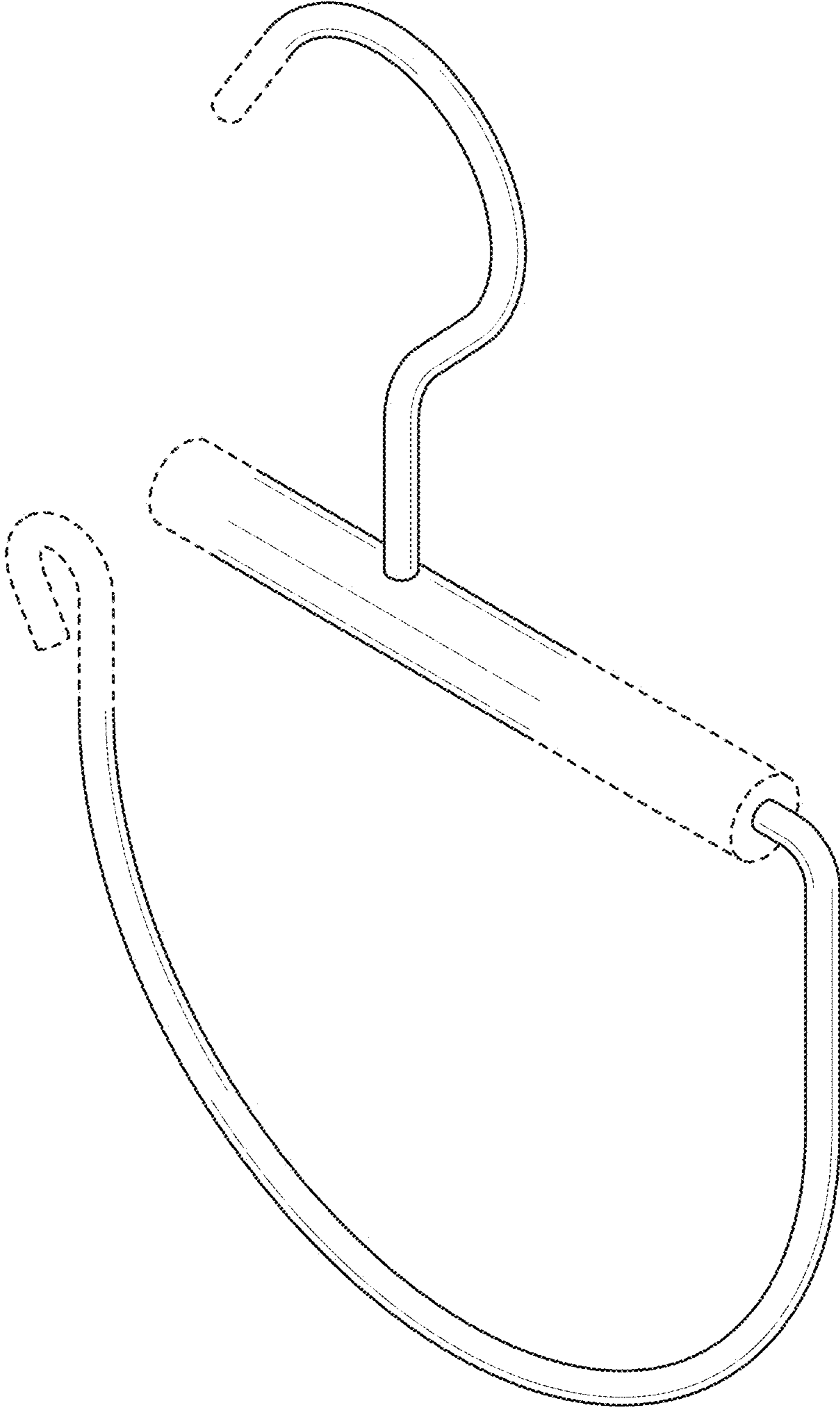


FIG. 1

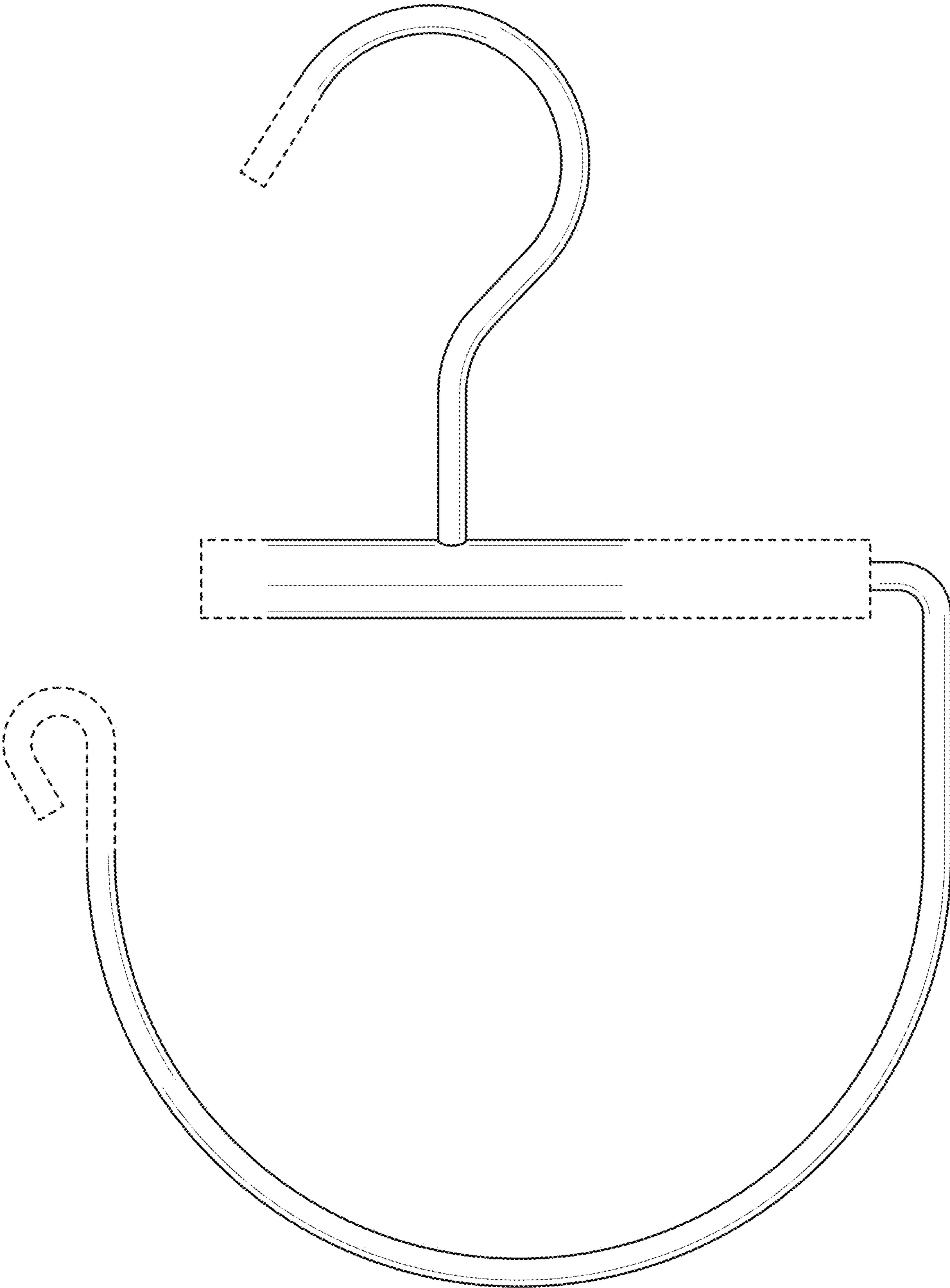


FIG. 2

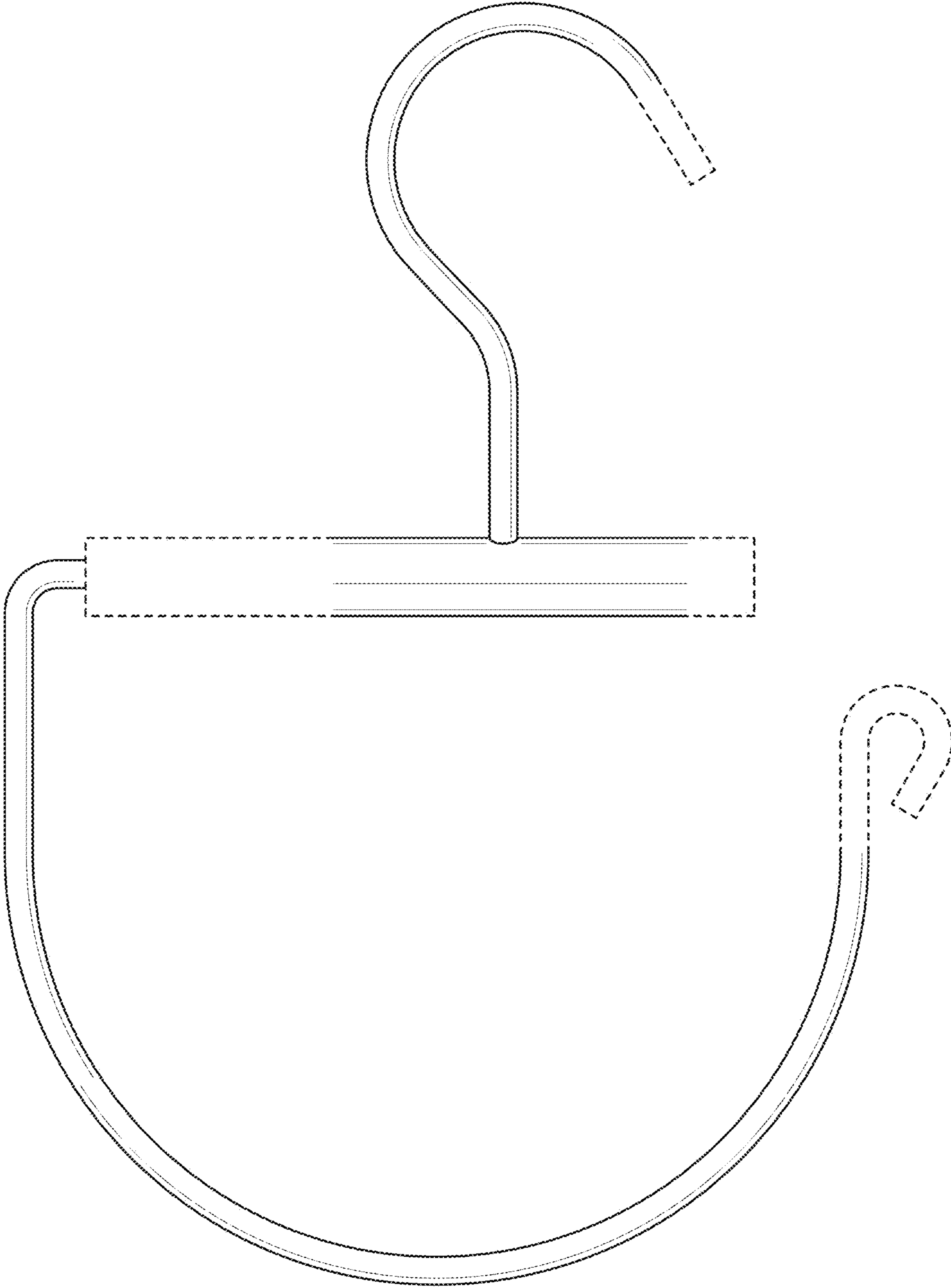


FIG. 3



FIG. 4



FIG. 5

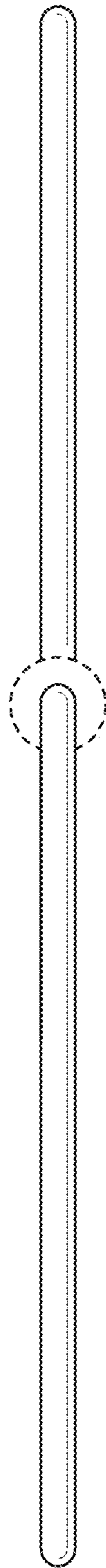


FIG. 6

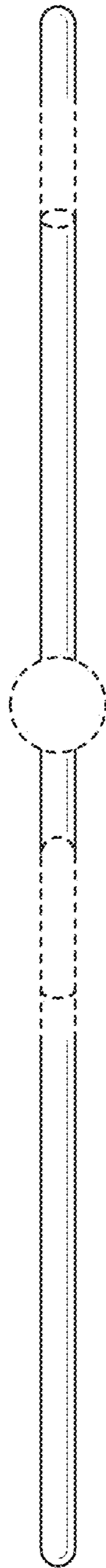


FIG. 7