



US00D955761S

(12) **United States Design Patent**
Liu

(10) **Patent No.:** **US D955,761 S**
(45) **Date of Patent:** **** Jun. 28, 2022**

- (54) **MAKEUP MIRROR**
- (71) Applicant: **SHENZHEN SANDE TECHNOLOGY CO., LTD.**, Shenzhen (CN)
- (72) Inventor: **Yan Liu**, Shenzhen (CN)
- (73) Assignee: **SHENZHEN SANDE TECHNOLOGY CO., LTD.**, Shenzhen (CN)
- (**) Term: **15 Years**
- (21) Appl. No.: **29/739,840**
- (22) Filed: **Jun. 30, 2020**

Related U.S. Application Data

- (62) Division of application No. 29/728,682, filed on Mar. 20, 2020, now Pat. No. Des. 897,697.
- (51) **LOC (13) Cl.** **06-07**
- (52) **U.S. Cl.**
USPC **D6/310**
- (58) **Field of Classification Search**
USPC D6/300-314; D20/10, 43
CPC ... A47G 1/00; A47G 1/02; A47G 1/04; A47G 1/14; A47G 1/0616; A47G 1/00622; A47G 1/065; A47G 1/24; A47G 2001/002; A47G 2001/0056; A47G 2001/007; A45D 42/00; A45D 42/08; A45D 42/10; A45D 42/24; F21V 21/26; F21V 21/30; G09F 15/0056
See application file for complete search history.

(56) **References Cited**

U.S. PATENT DOCUMENTS

- 2,201,251 A * 5/1940 Van Patten A45D 42/10
D26/56
- D161,886 S * 2/1951 Weisbrod D6/301

- D177,003 S * 3/1956 Barlow D6/301
- D785,345 S * 5/2017 Yang D6/310
- D825,205 S * 8/2018 Liu D6/310
- D829,007 S * 9/2018 Choi D6/310
- D865,374 S * 11/2019 Yang D6/310
- D874,836 S * 2/2020 Li D6/312
- D882,965 S * 5/2020 Liu D6/310
- D897,697 S * 10/2020 Liu D6/310
- D907,375 S * 1/2021 Liang D6/312
- D927,862 S * 8/2021 Yang A47G 1/04
D6/310
- 2016/0255941 A1 * 9/2016 Yang A47G 1/04

* cited by examiner

Primary Examiner — Mary Ann Calabrese

(57) **CLAIM**

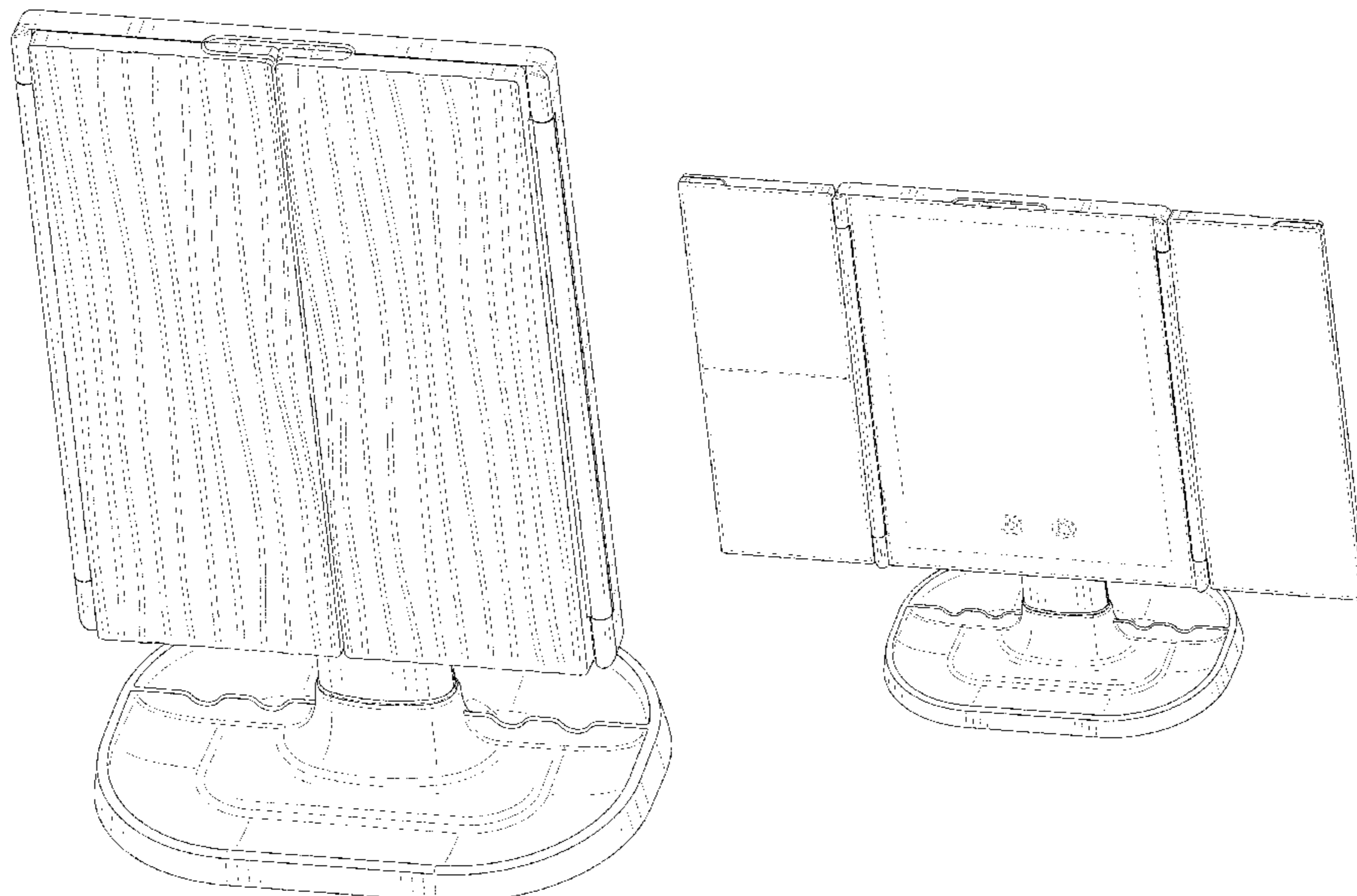
The ornamental design for a makeup mirror, as shown and described.

DESCRIPTION

FIG. 1 is a front perspective view of a makeup mirror showing my new design;
 FIG. 2 is a rear perspective view thereof;
 FIG. 3 is a front elevational view thereof;
 FIG. 4 is a rear elevational view thereof;
 FIG. 5 is a left side elevational view thereof;
 FIG. 6 is a right side elevational view thereof;
 FIG. 7 is a top plan view thereof;
 FIG. 8 is a bottom plan view thereof; and,
 FIG. 9 is a front perspective view of the makeup mirror where the makeup mirror is in an alternate configuration of use.

The broken lines in the drawings show portions of the makeup mirror that form no part of the claimed design.

1 Claim, 9 Drawing Sheets



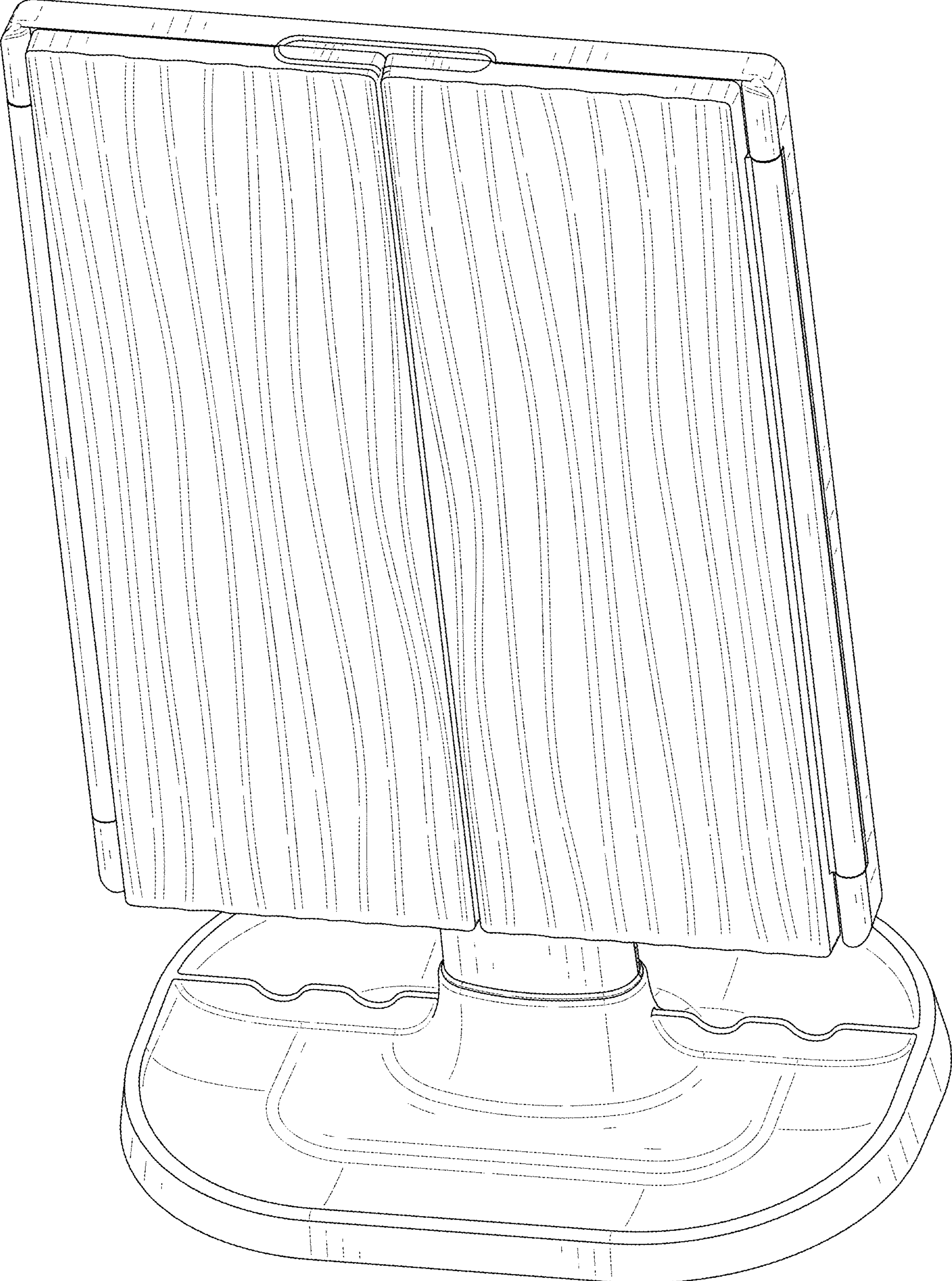


FIG. 1

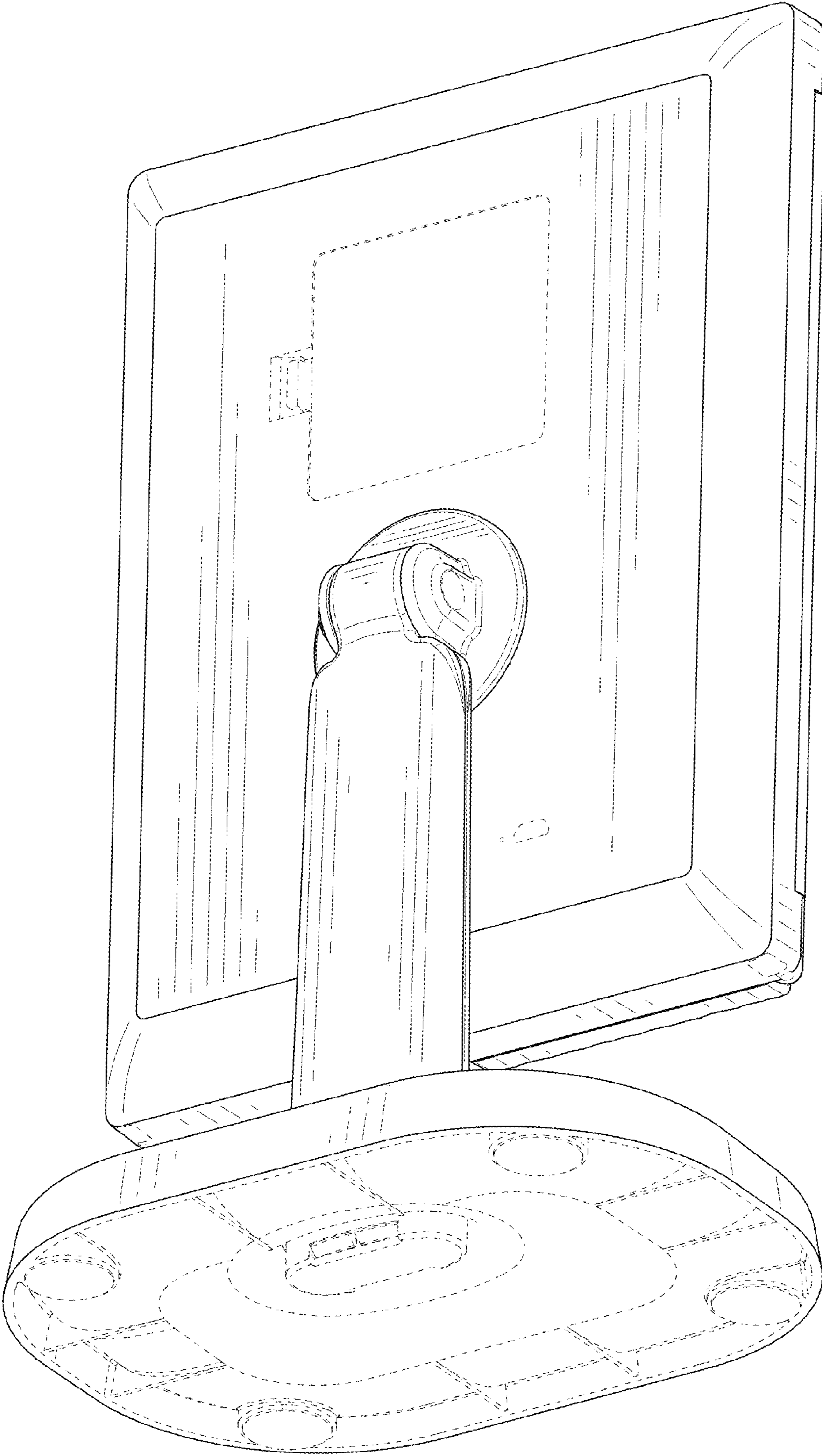


FIG. 2

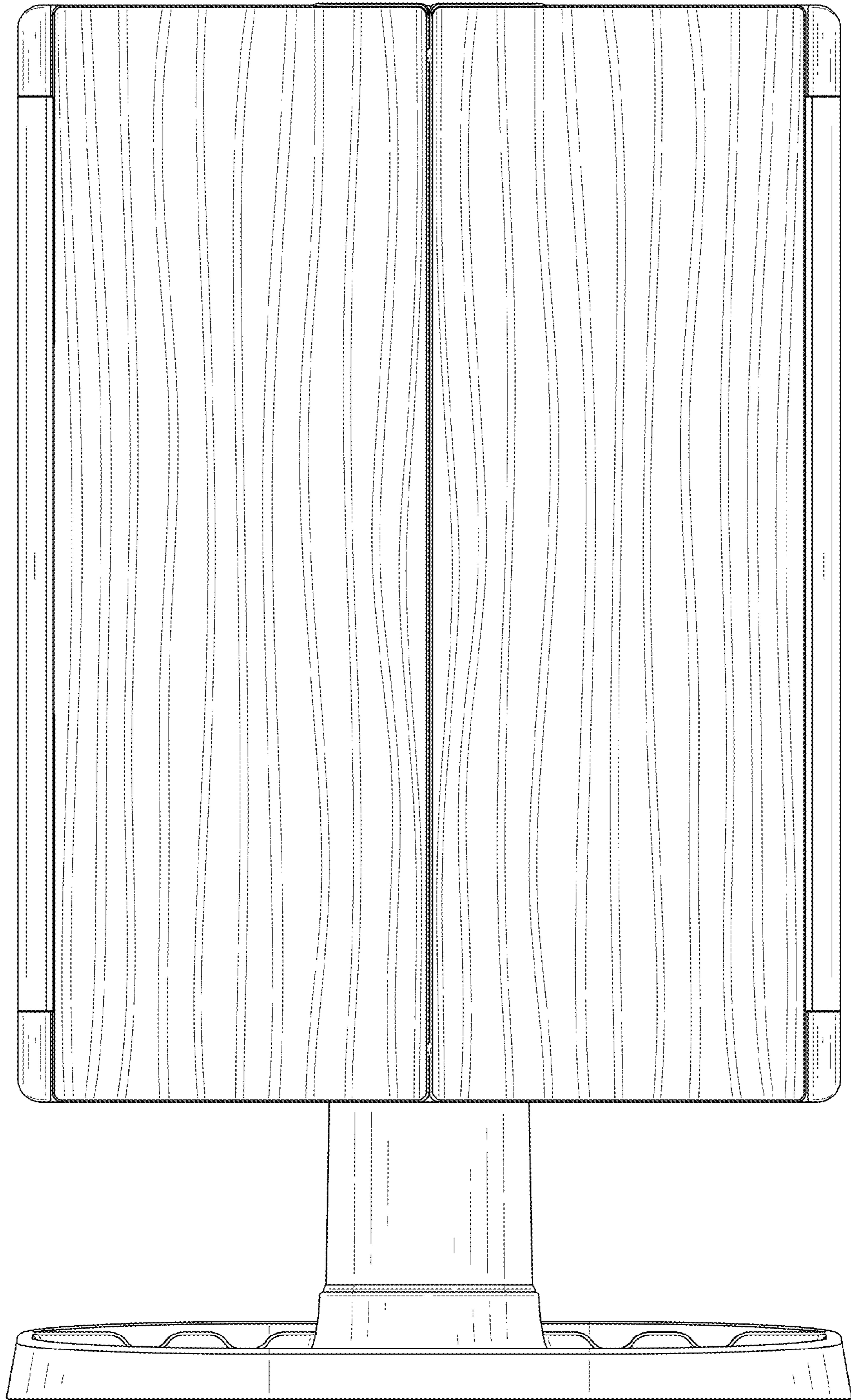


FIG. 3

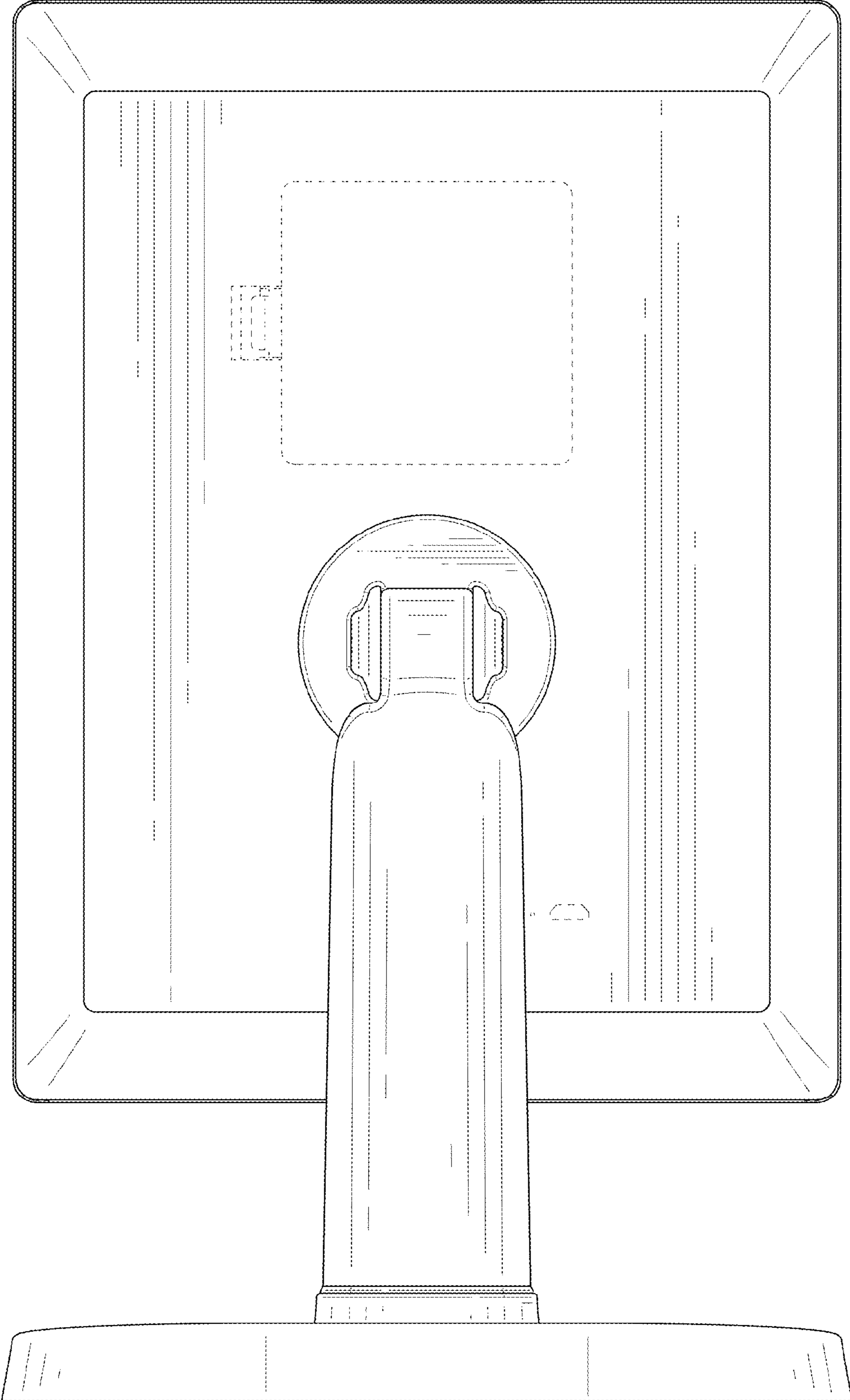


FIG. 4

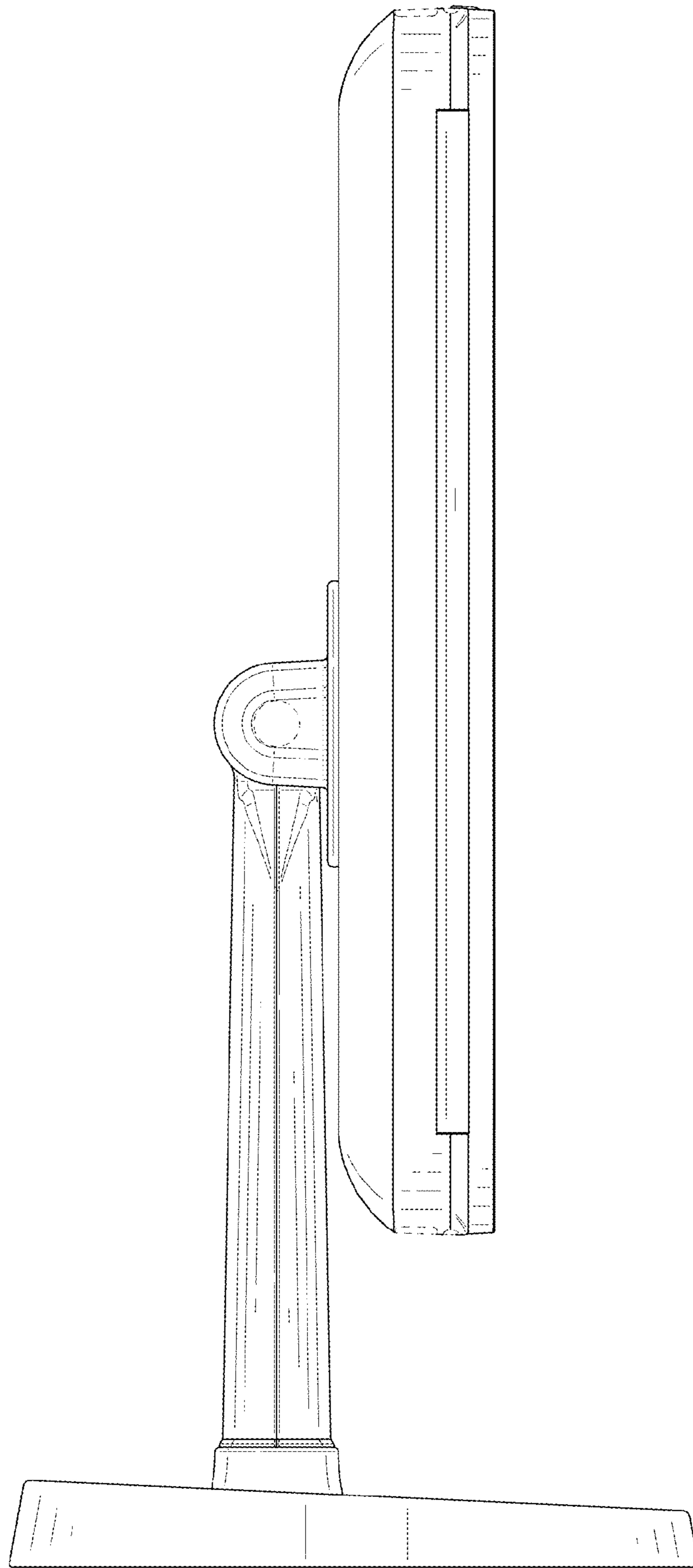


FIG. 5

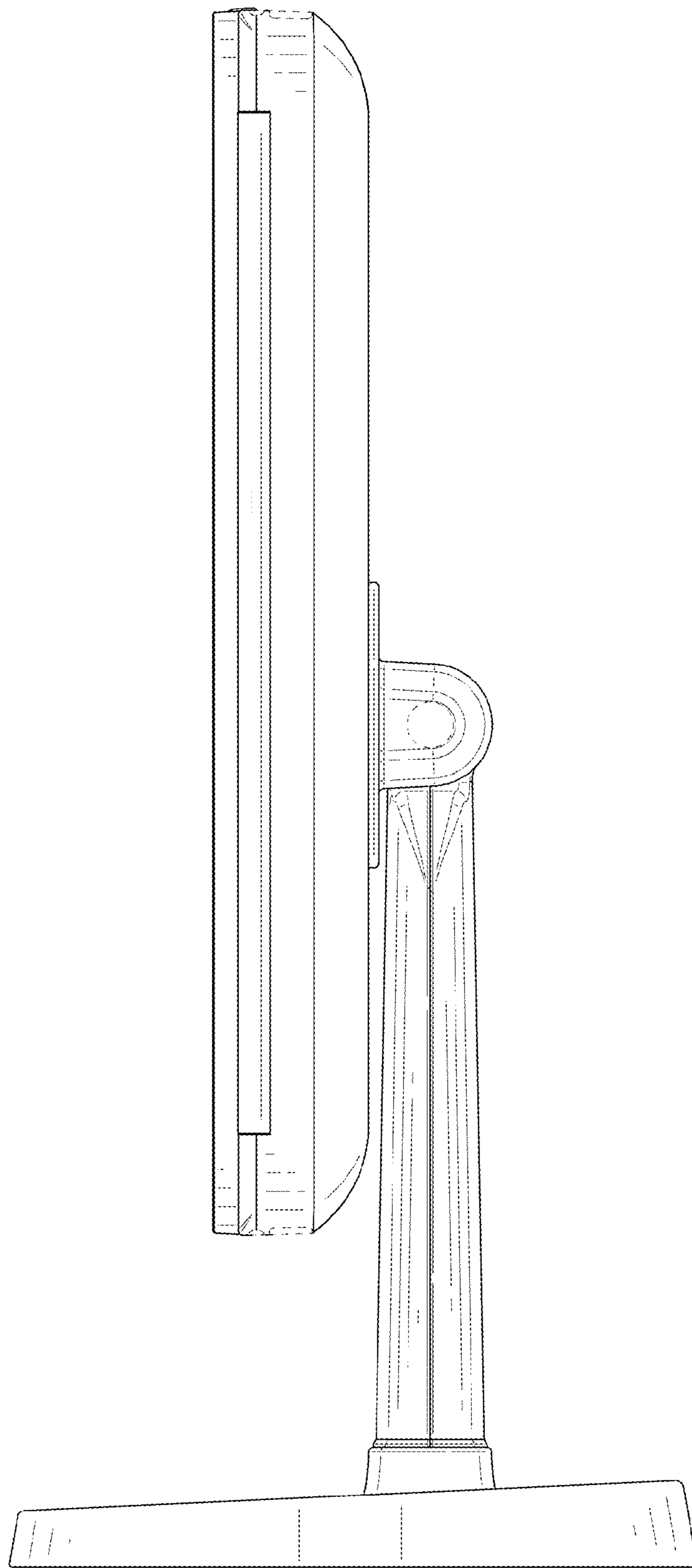


FIG. 6

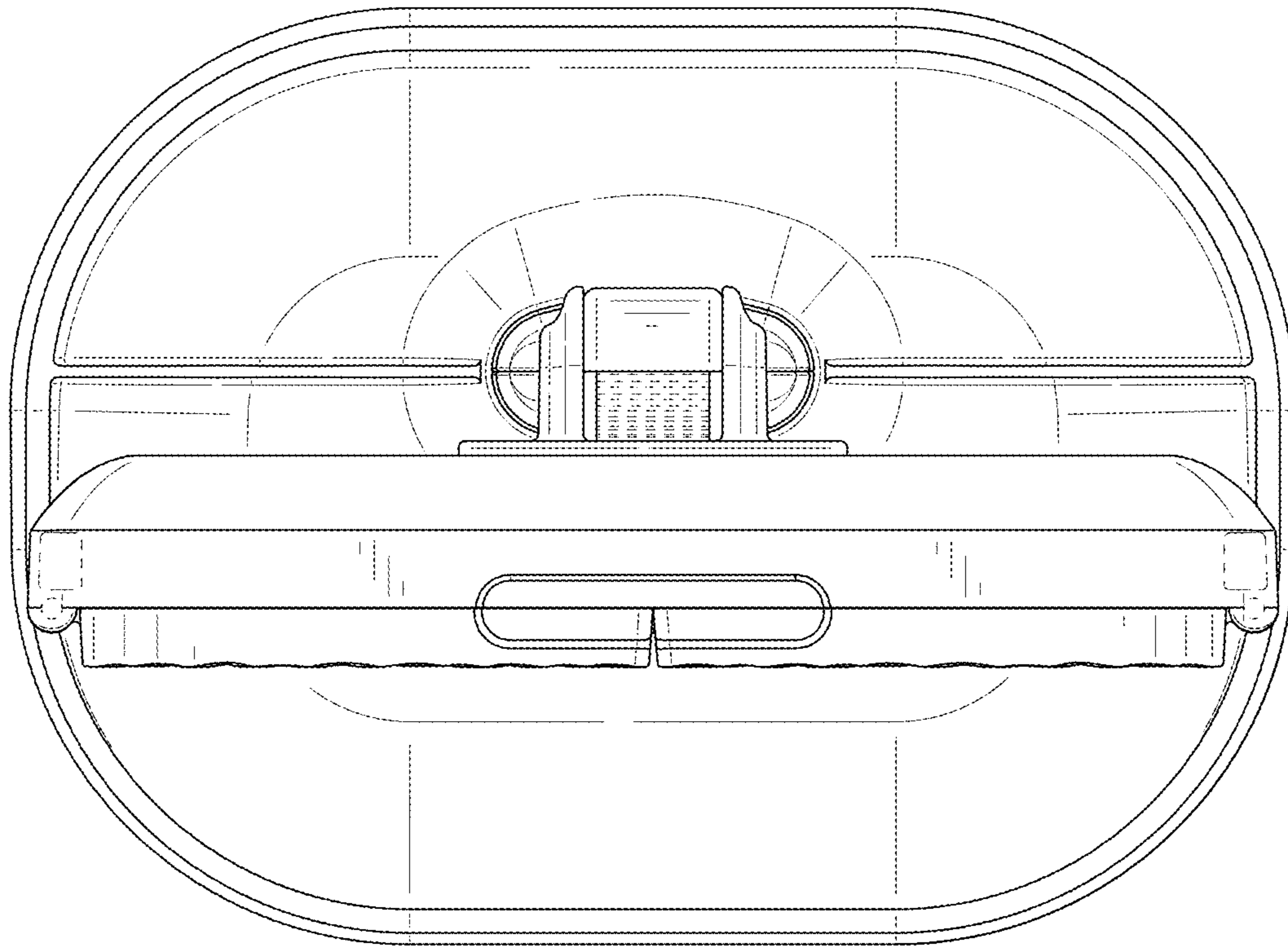


FIG. 7

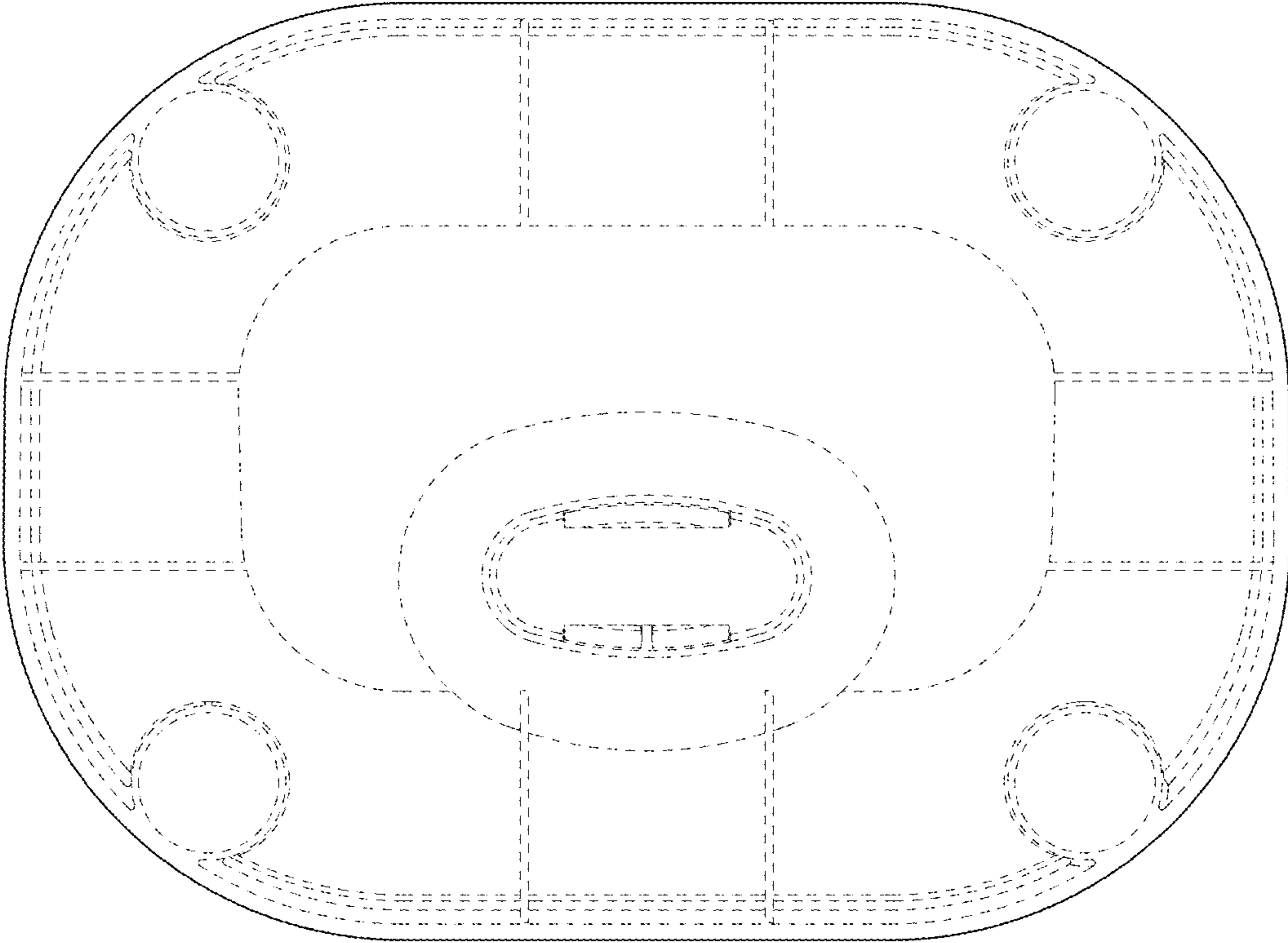


FIG. 8

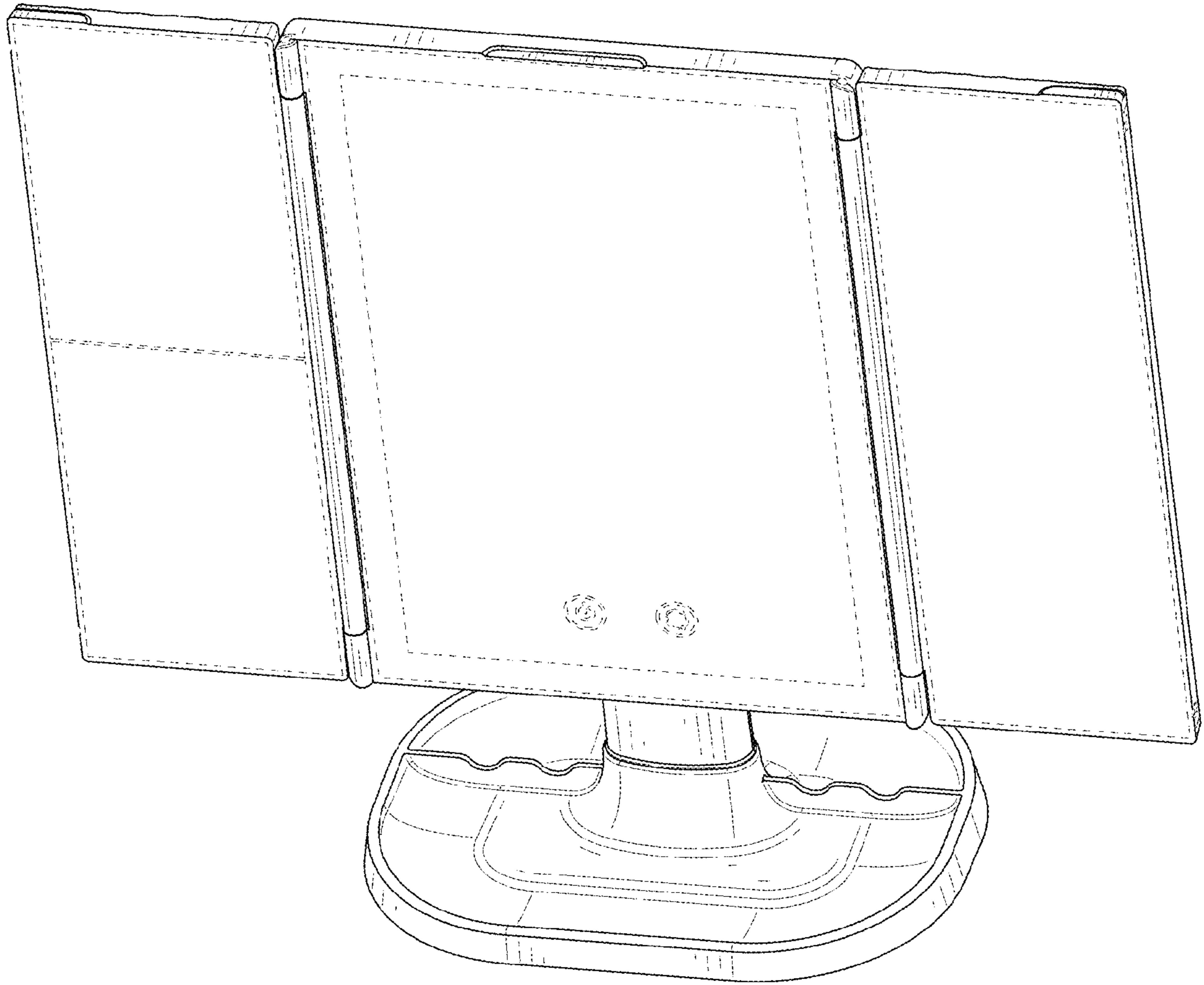


FIG. 9