



US00D955757S

(12) **United States Design Patent** (10) **Patent No.:** **US D955,757 S**
Pina (45) **Date of Patent:** **** Jun. 28, 2022**

(54) **BRUSH CARTRIDGE**
 (71) Applicant: **Capillus, LLC**, Miami, FL (US)
 (72) Inventor: **Carlos Pina**, Miami, FL (US)
 (73) Assignee: **Curallux, LLC**, Miami, FL (US)
 (**) Term: **15 Years**
 (21) Appl. No.: **29/704,609**
 (22) Filed: **Sep. 5, 2019**
 (51) **LOC (13) Cl.** **04-99**
 (52) **U.S. Cl.**
 USPC **D4/199**
 (58) **Field of Classification Search**
 USPC D4/113, 199; D3/205; D6/528, 534;
 D28/66; 15/184; 132/308-311;
 206/63.5, 209, 209.1, 362.2, 368, 581
 CPC A47B 88/20; A45D 44/18; A46B 15/0008;
 A46B 15/0002; G09B 19/0084
 See application file for complete search history.

(56) **References Cited**
 U.S. PATENT DOCUMENTS
 D226,992 S * 5/1973 Bridges D28/73
 D240,201 S * 6/1976 Avoilio et al. D18/43
 D357,809 S * 5/1995 Brown
 D385,705 S * 11/1997 Seifert D28/38
 D412,247 S * 7/1999 Adkins D3/205
 D519,674 S * 4/2006 Chu et al.

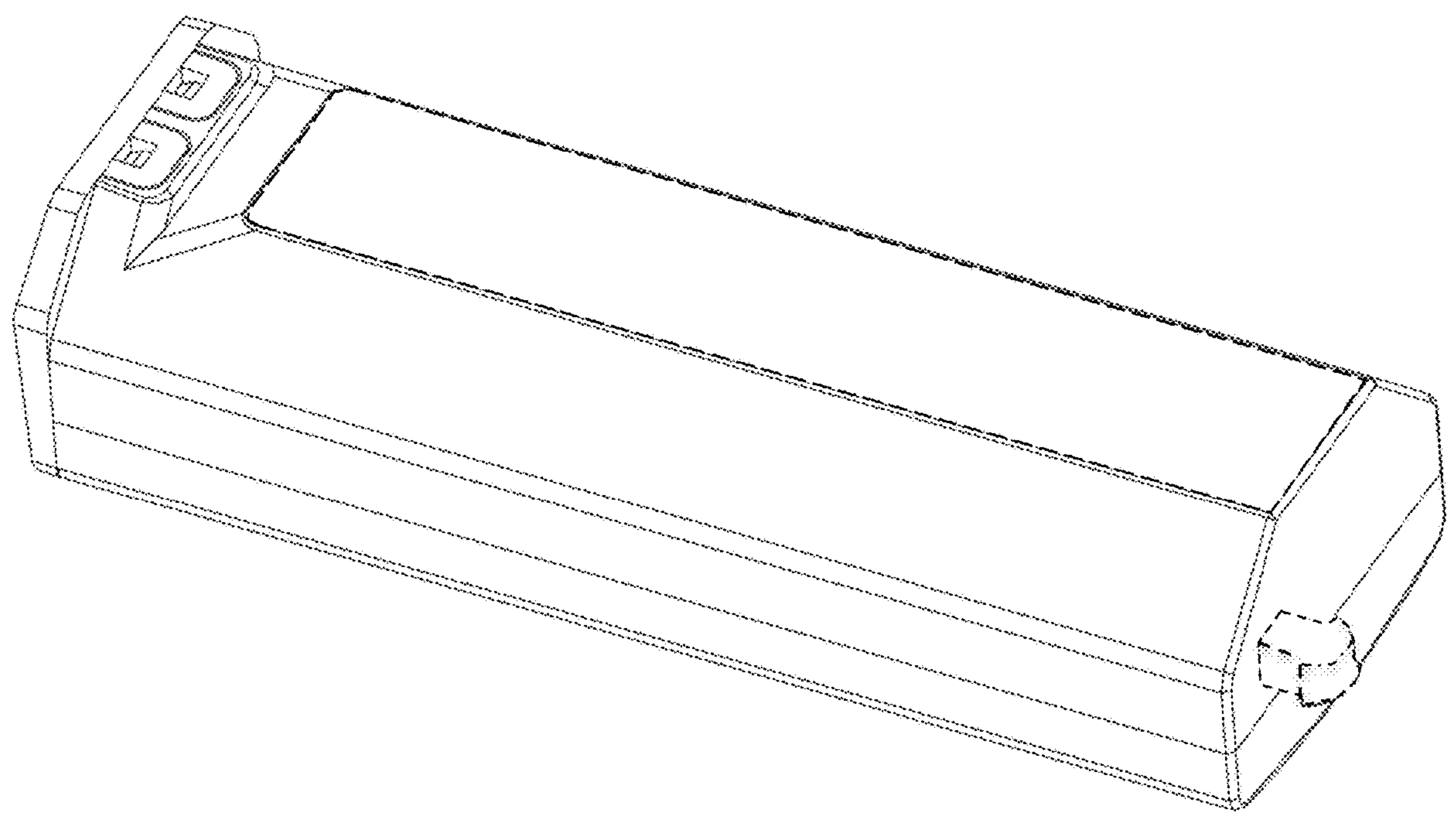
D558,920 S 1/2008 Sheppard et al.
 D580,179 S * 11/2008 Vu D4/199
 D598,658 S * 8/2009 Peppard D4/199
 D701,996 S * 4/2014 Scott D28/7
 D756,664 S * 5/2016 Snowden D4/199
 D762,991 S * 8/2016 Kim D4/199
 D899,385 S * 10/2020 Luo D4/116
 2017/0367455 A1 12/2017 Enrique

* cited by examiner
Primary Examiner — Austin Murphy
 (74) *Attorney, Agent, or Firm* — Pablo Meles;
 GrayRobinson, PA

(57) **CLAIM**
 The ornamental design for a “brush cartridge” as shown and described.

DESCRIPTION
 FIG. 1 is a front-left perspective view of a brush cartridge showing our new design;
 FIG. 2 is a top view thereof;
 FIG. 3 is a bottom view thereof;
 FIG. 4 is a front view thereof;
 FIG. 5 is a rear view thereof;
 FIG. 6 is a left view thereof; and,
 FIG. 7 is a right view thereof.
 The portions of the brush cartridge shown in broken lines form no part of the claimed design.

1 Claim, 3 Drawing Sheets



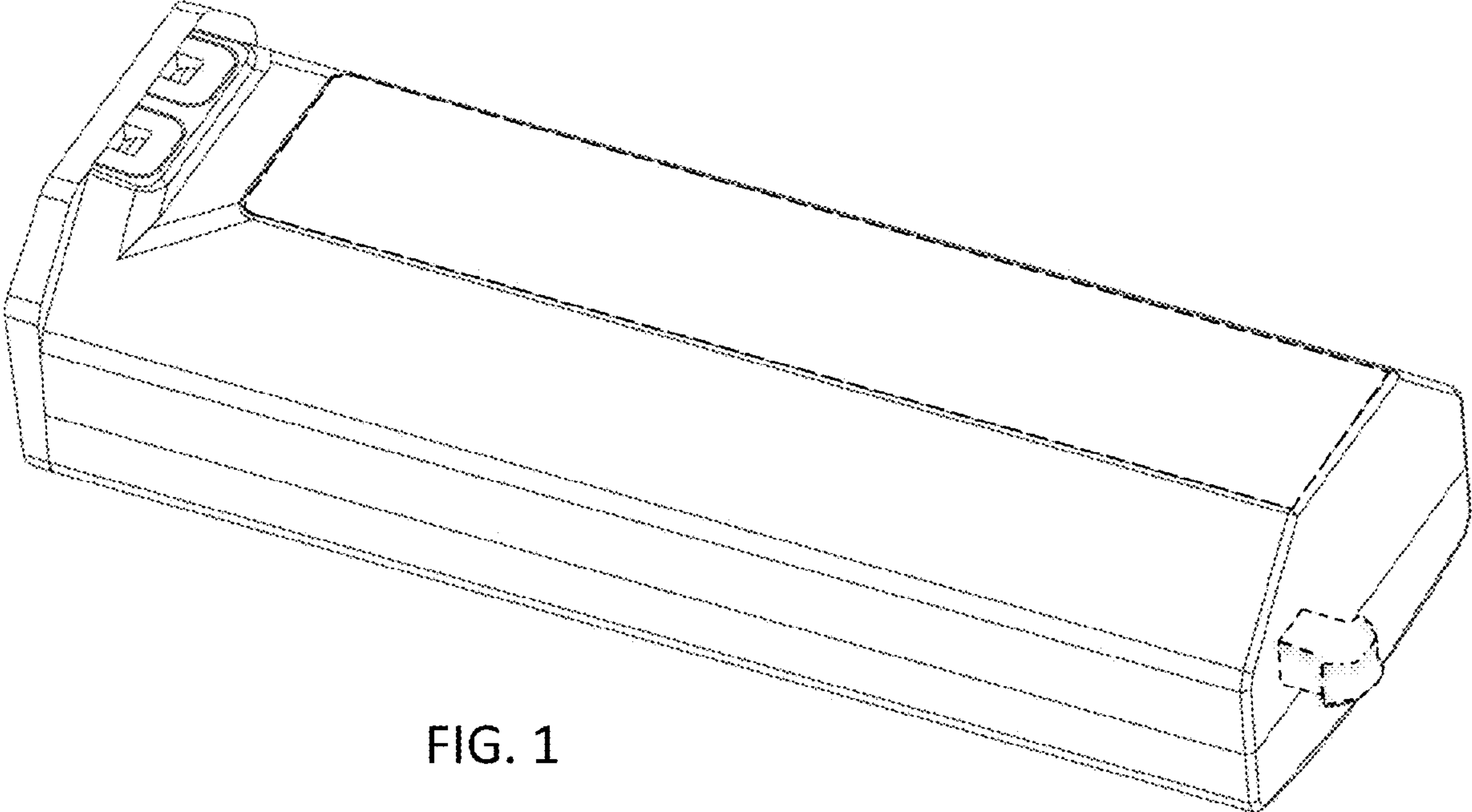


FIG. 1

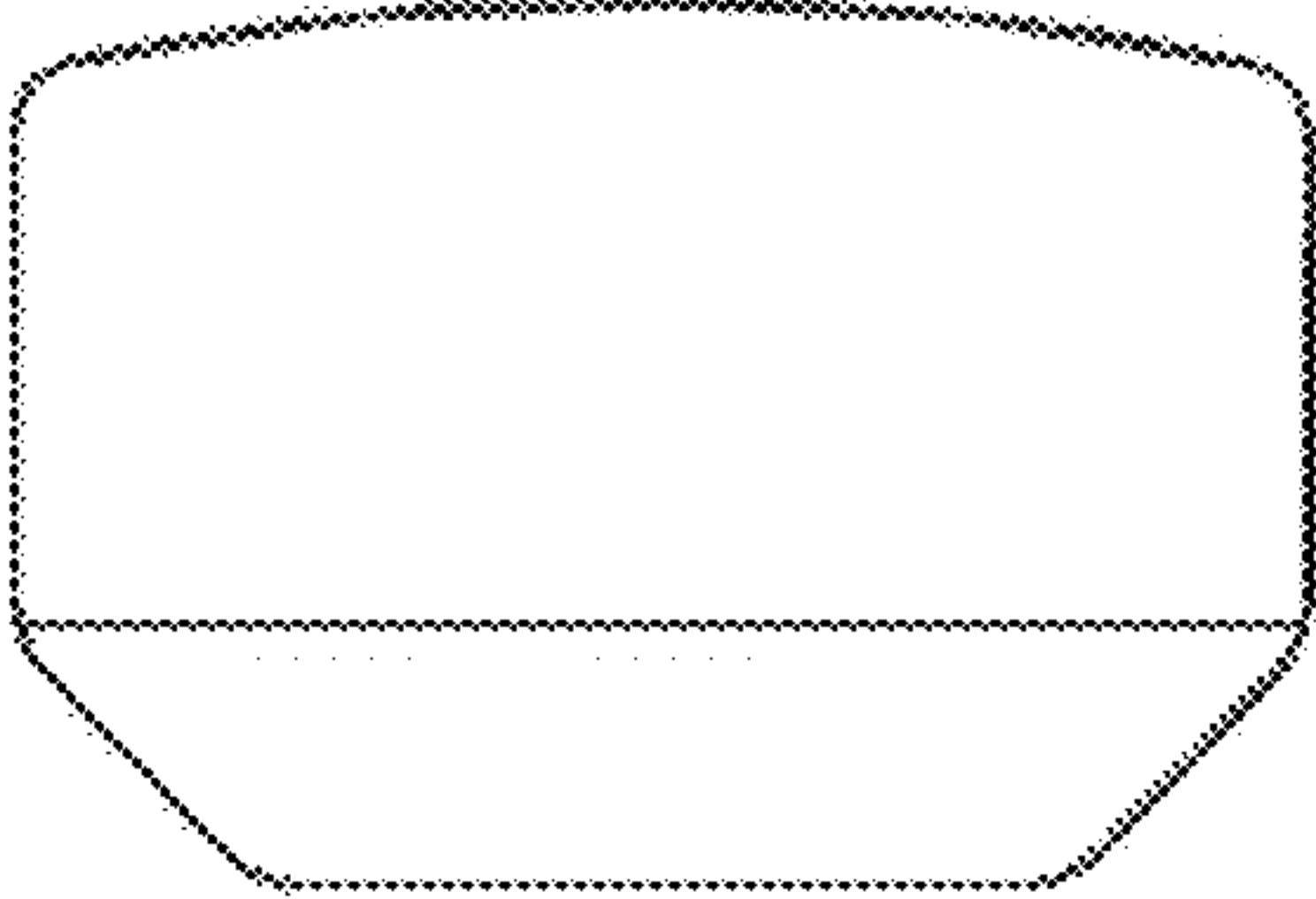


FIG. 2

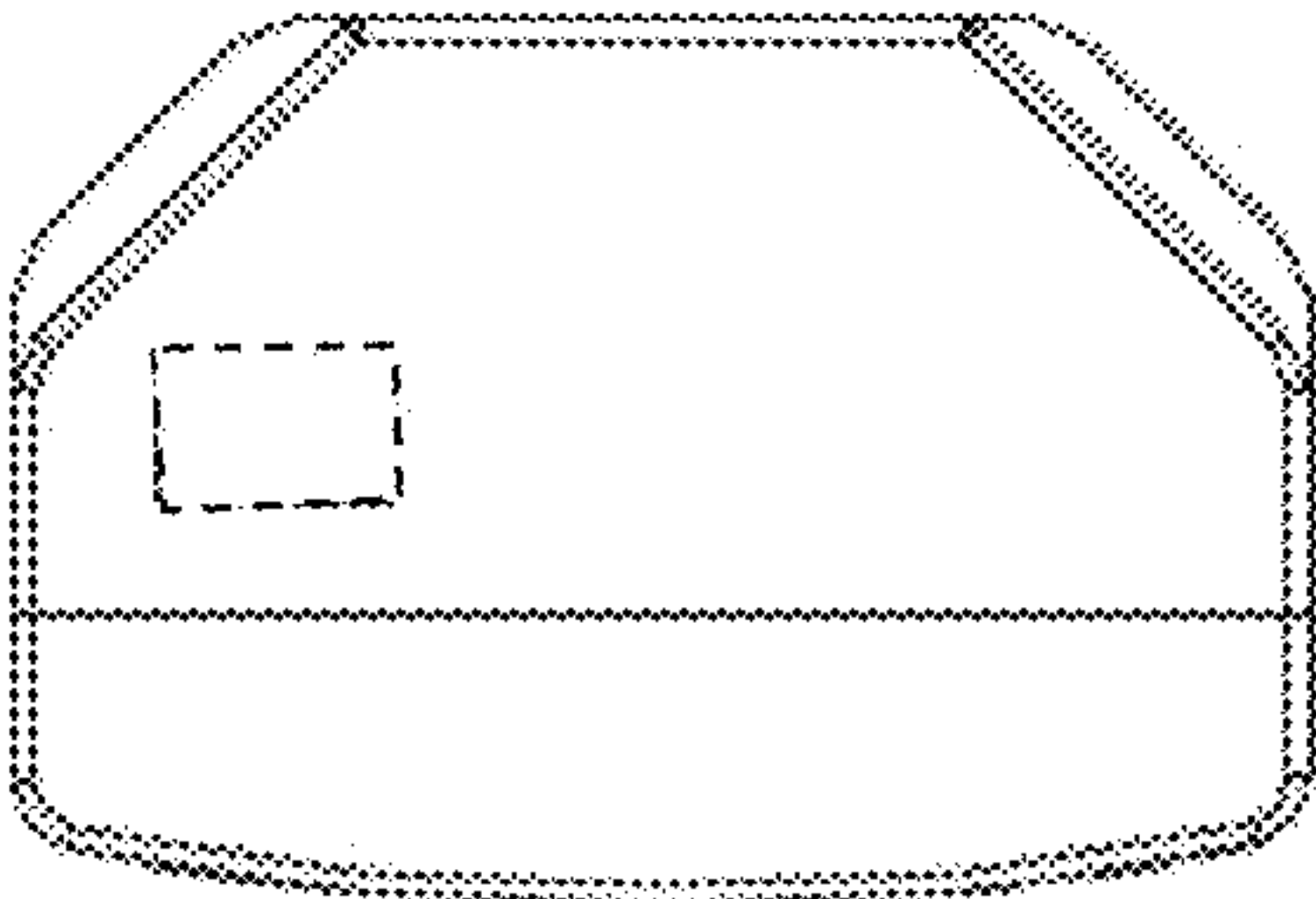


FIG. 3

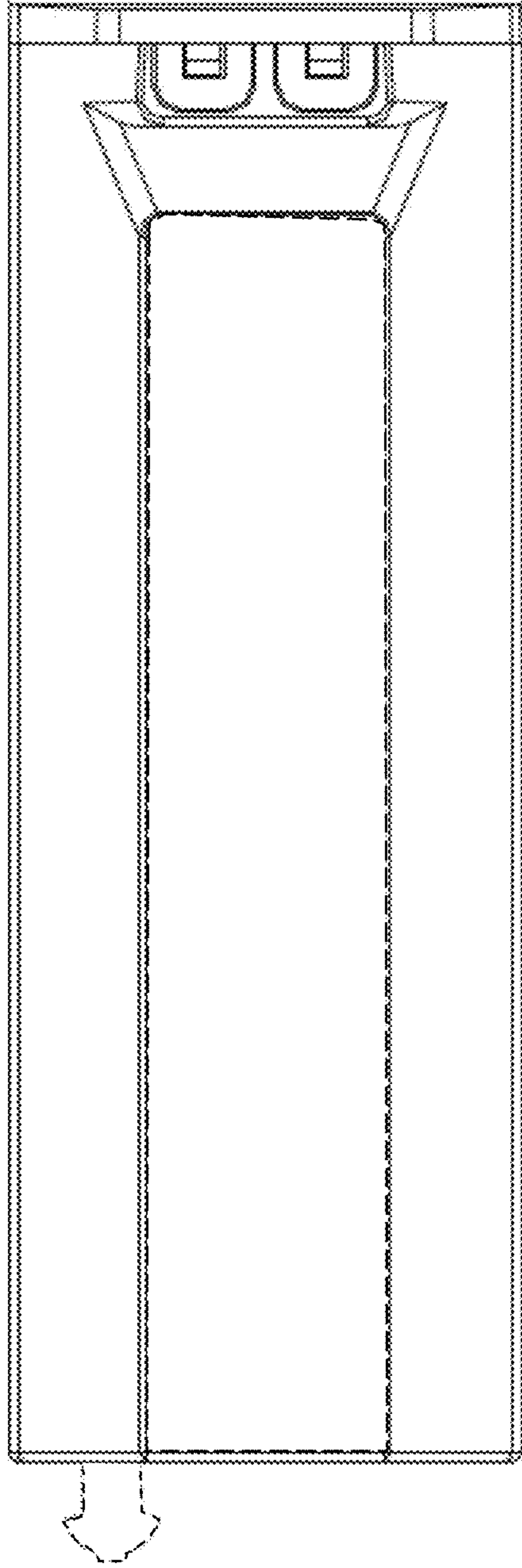


FIG. 4

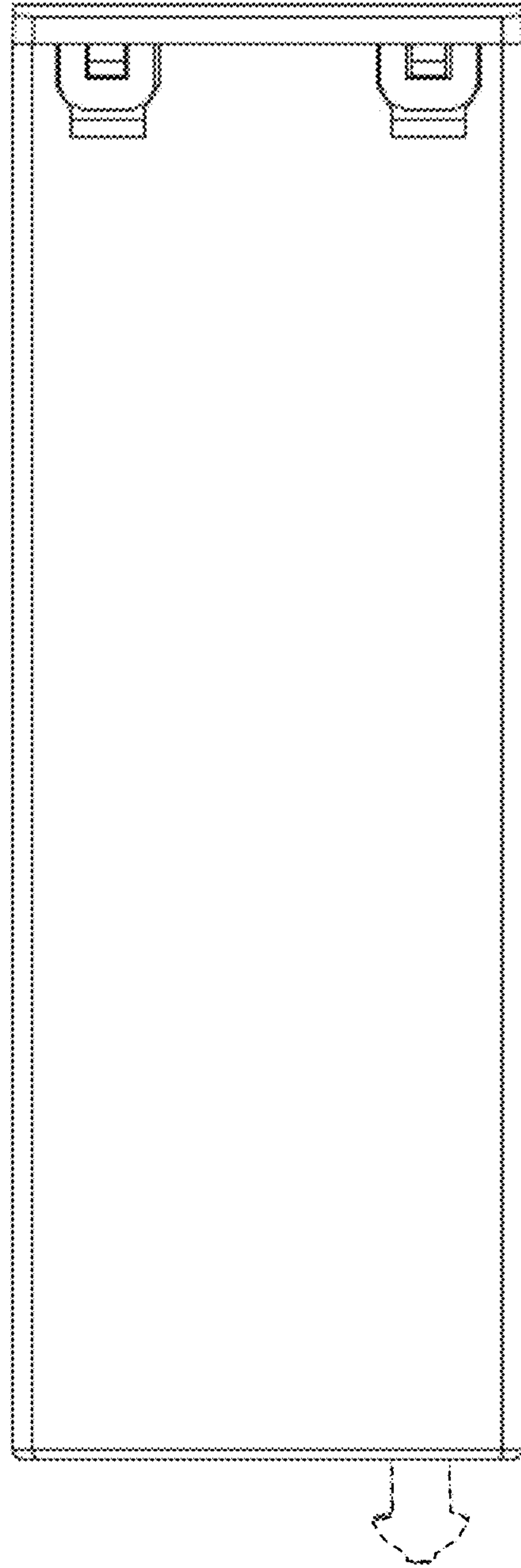


FIG. 5

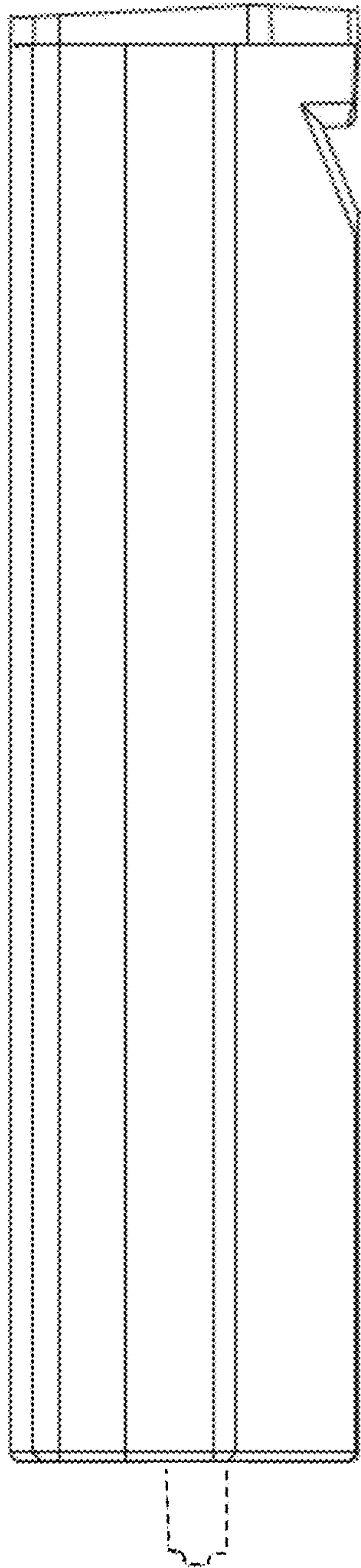


FIG. 6

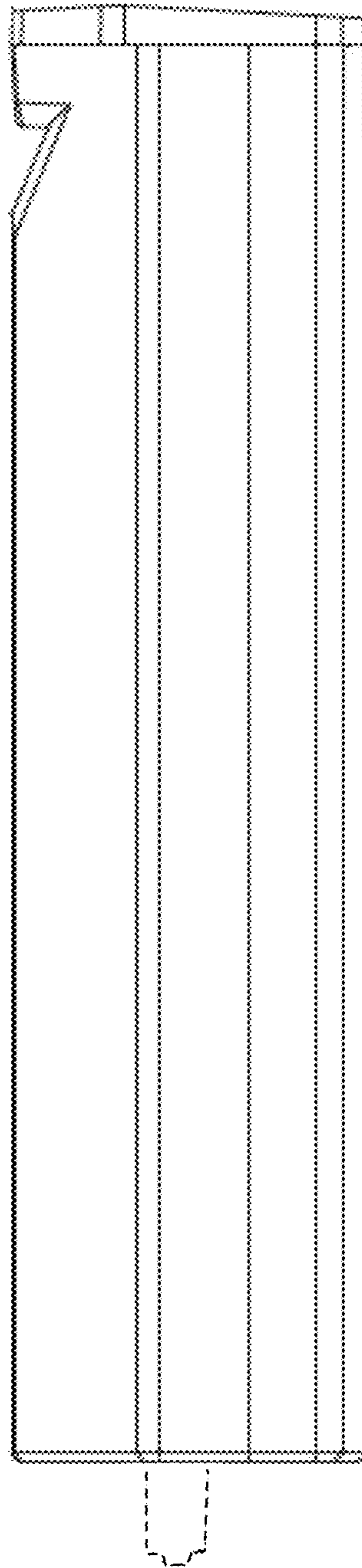


FIG. 7