



US00D955755S

(12) **United States Design Patent**  
**Wang**

(10) **Patent No.:** **US D955,755 S**  
(45) **Date of Patent:** **\*\* Jun. 28, 2022**

(54) **SNOW BRUSH**

(71) Applicant: **NINGBO YINZHOU SHUANGWEI PLASTIC FACTORY, Ningbo (CN)**

(72) Inventor: **Yin Wang, Ningbo (CN)**

(73) Assignee: **NINGBO YINZHOU SHUANGWEI PLASTIC FACTORY, Ningbo (CN)**

(\*\*) Term: **15 Years**

(21) Appl. No.: **29/803,890**

(22) Filed: **Aug. 17, 2021**

(51) **LOC (13) Cl.** ..... **04-01**

(52) **U.S. Cl.**  
USPC ..... **D4/118**

(58) **Field of Classification Search**  
USPC ..... D4/116-118, 121, 130, 132, 134, 138;  
D32/35, 40-42, 46, 49, 51, 52  
CPC .. A46B 3/18; A46B 5/00; A46B 9/021; A46B  
11/00; A46B 11/0003; A46B 2200/1053;  
A45D 40/26; A45D 40/265  
See application file for complete search history.

(56) **References Cited**

**U.S. PATENT DOCUMENTS**

D232,299 S *	8/1974	Epstein	.....	D4/118
D485,031 S *	1/2004	Anderson	.....	D32/42
D485,656 S *	1/2004	Anderson	.....	D32/42
7,155,770 B2 *	1/2007	Anderson	.....	A47L 13/12 15/236.02
D597,315 S *	8/2009	Hoffelner	.....	D4/118
D656,735 S *	4/2012	Zupan	.....	D4/118
9,145,112 B1 *	9/2015	Ihde	.....	A46B 5/0054
D831,360 S	10/2018	Bennett		
D834,328 S *	11/2018	Thompson	.....	A47L 13/12 D4/118
D838,493 S	1/2019	Thuma et al.		

D925,234 S *	7/2021	Waxman	.....	B25G 3/38 D4/118
2004/0250365 A1 *	12/2004	Anderson	.....	A47L 13/12 15/245
2021/0016429 A1 *	1/2021	Savard	.....	B25G 3/38

**OTHER PUBLICATIONS**

Amazon-AstroAI; "Astro AI . . . Ice Scrapers for Car Windshield . . ."; [online] "https://www.amazon.com/dp/B08SC32J5H"; dated Jan. 8, 2021; accessed May 7, 2022; 4pgs. (Year: 2021).\*

\* cited by examiner

*Primary Examiner* — Keli L Hill

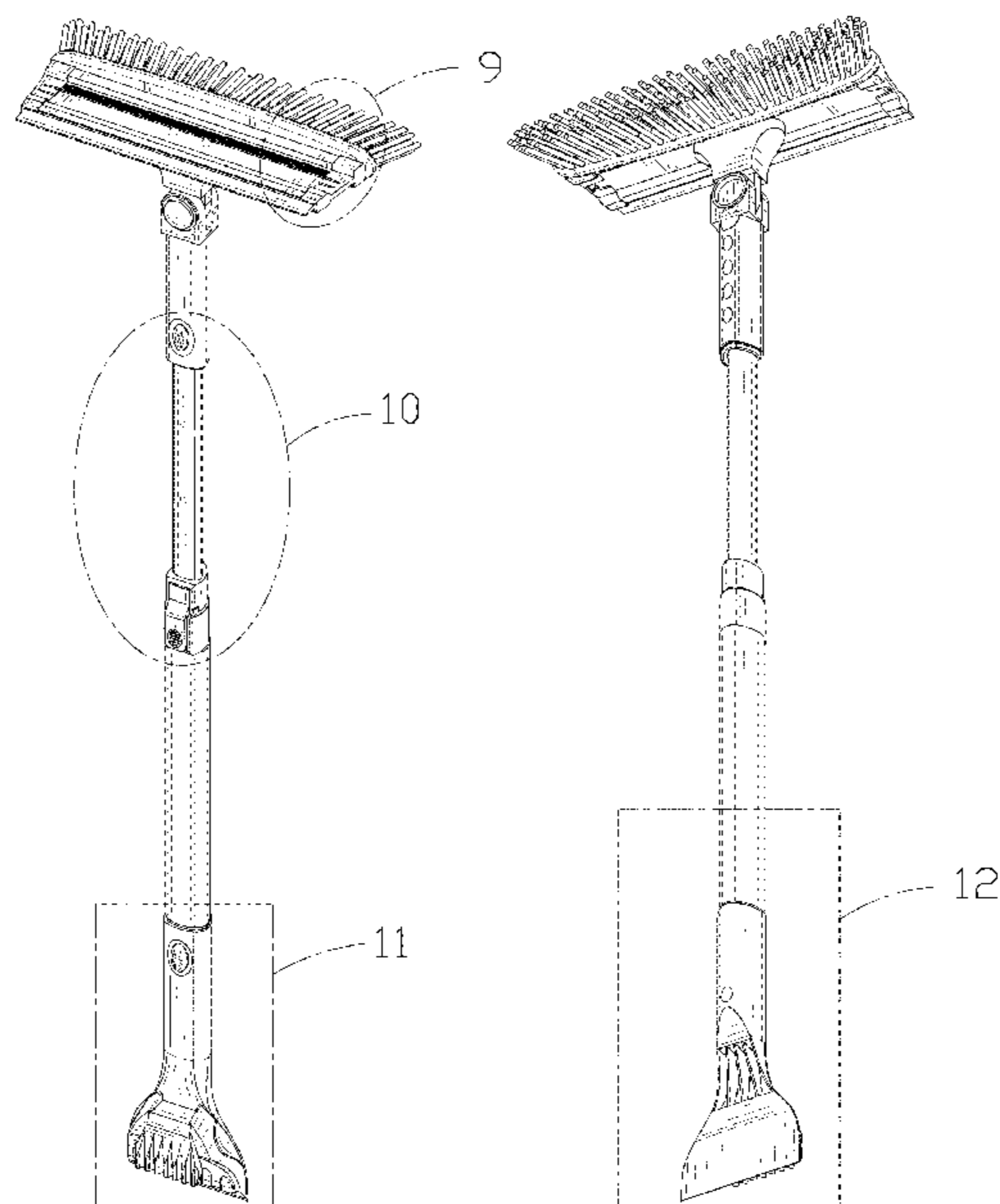
(57) **CLAIM**

The ornamental design for a snow brush, as shown and described.

**DESCRIPTION**

FIG. 1 is a perspective view of a snow brush showing my new design;  
 FIG. 2 is another perspective view thereof;  
 FIG. 3 is a front elevational view thereof;  
 FIG. 4 is a rear elevational view thereof;  
 FIG. 5 is a left side elevational view thereof;  
 FIG. 6 is a right side elevational view thereof;  
 FIG. 7 is a top plan view thereof;  
 FIG. 8 is a bottom plan view thereof;  
 FIG. 9 is an enlarged view of portion 9 shown in FIG. 1;  
 FIG. 10 is an enlarged view of portion 10 shown in FIG. 1;  
 FIG. 11 is an enlarged view of portion 11 shown in FIG. 1;  
 and,  
 FIG. 12 is an enlarged view of portion 12 shown in FIG. 2.  
 The dash-dash broken lines in the drawings depict portions of the snow brush that form no part of the claimed design.  
 The dot-dash broken lines represent boundaries of the enlarged portions and form no part of the claimed design.

**1 Claim, 12 Drawing Sheets**



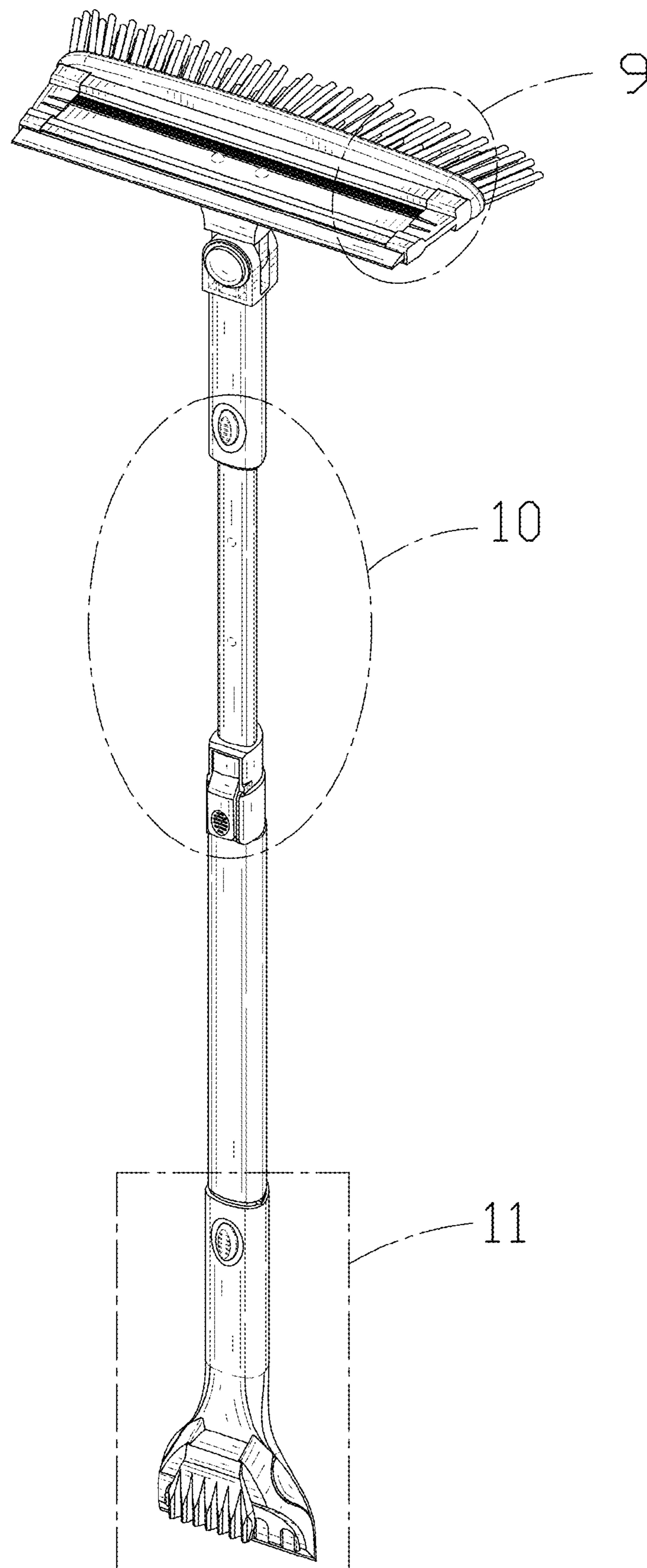


FIG. 1

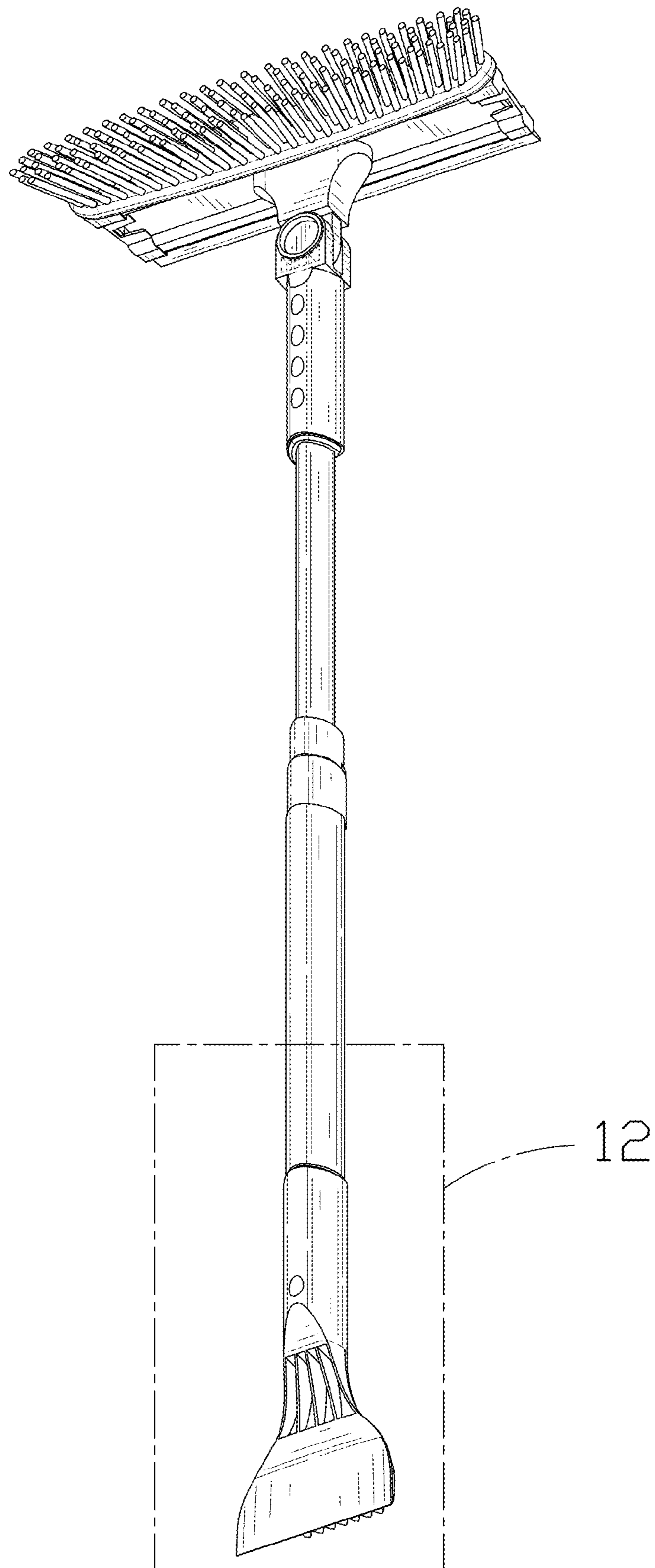


FIG. 2

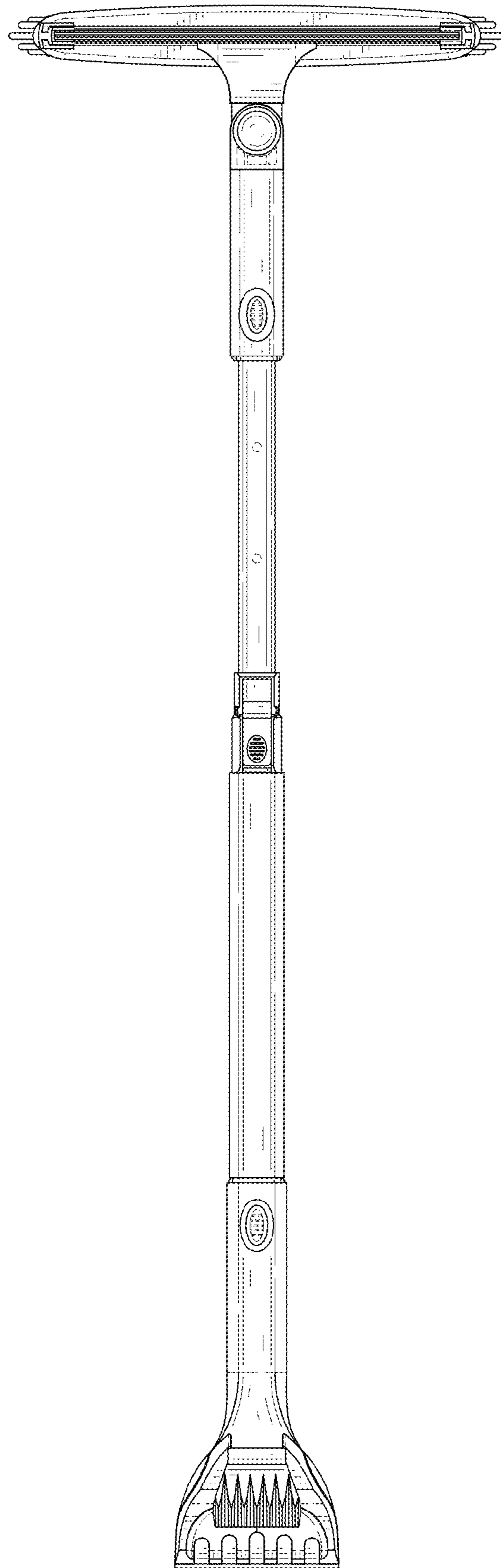


FIG. 3

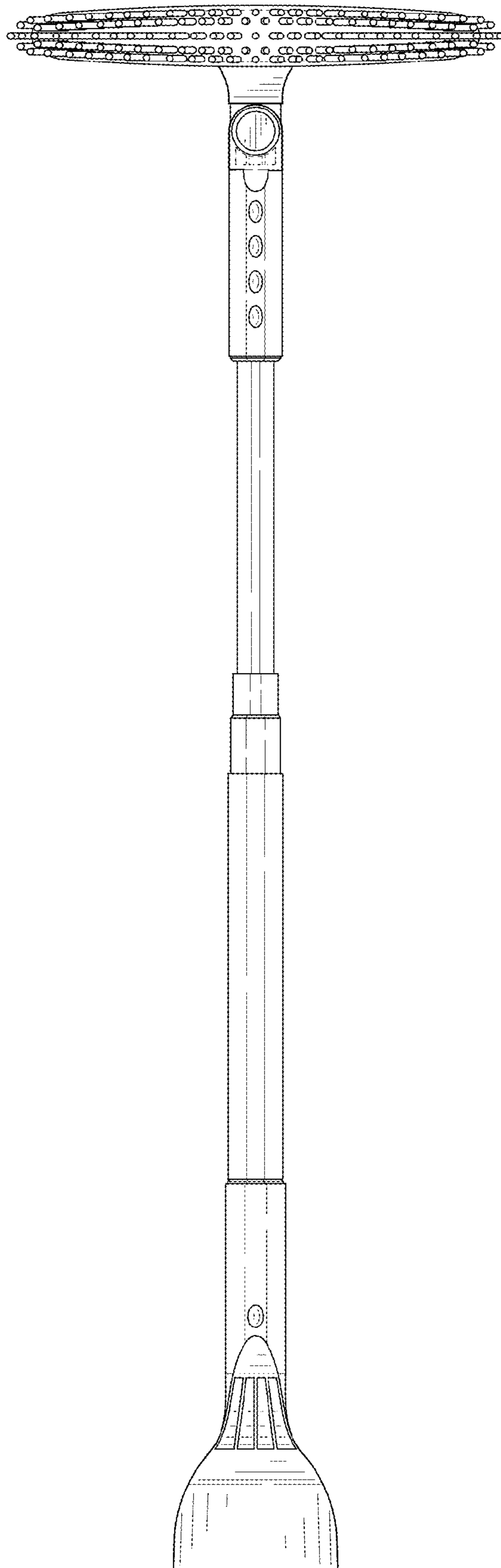


FIG. 4

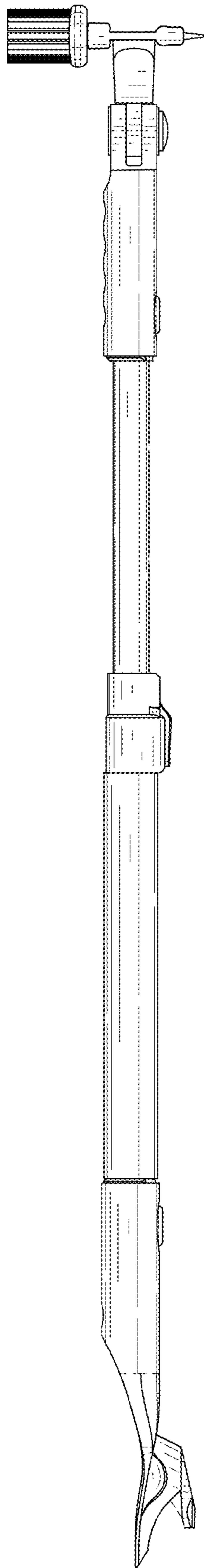


FIG. 5

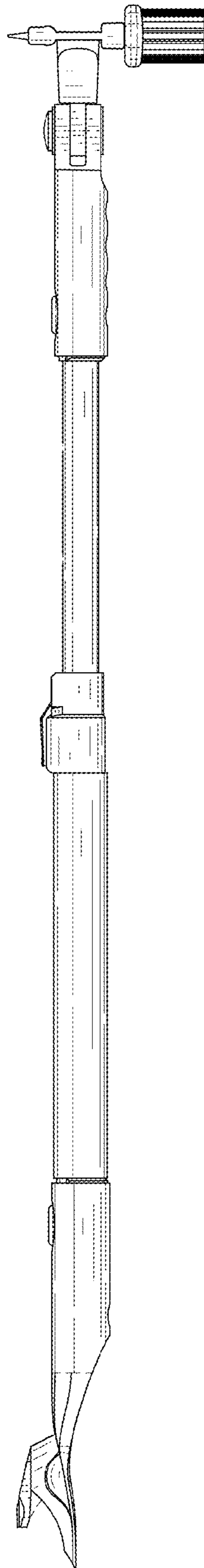


FIG. 6

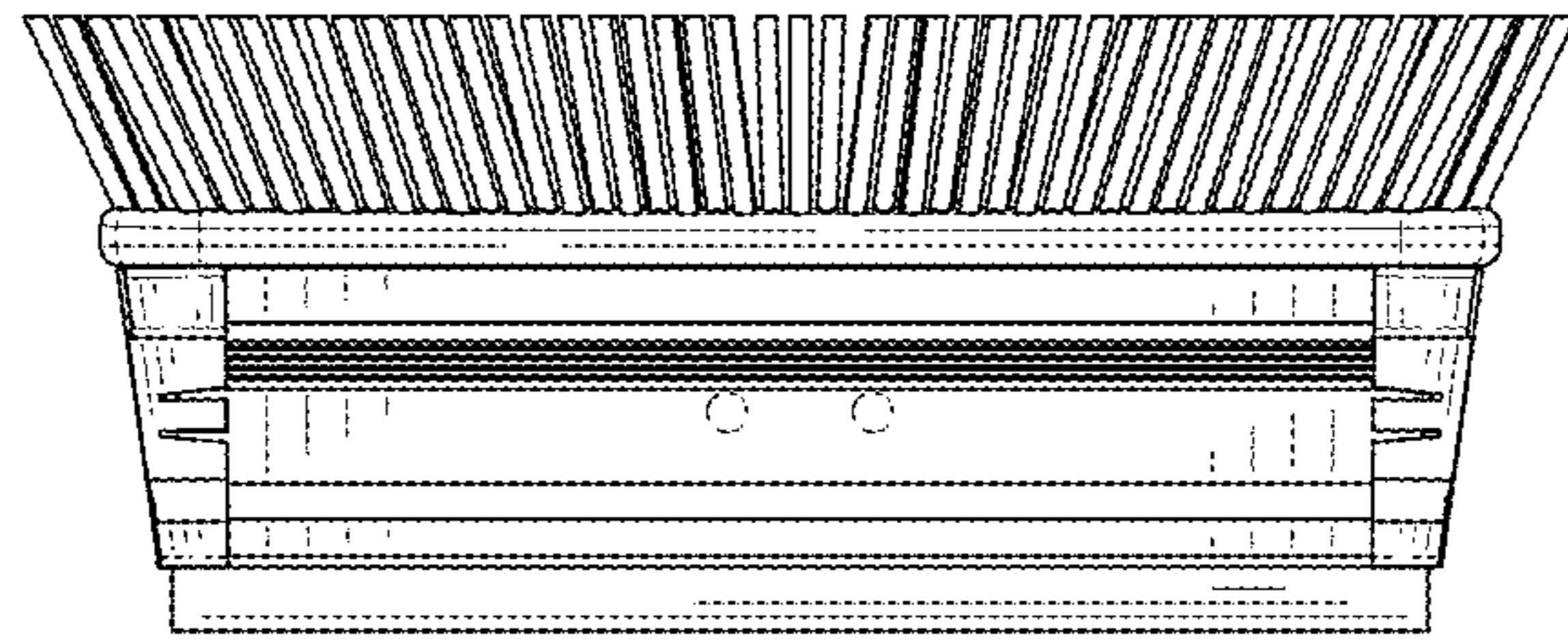


FIG. 7



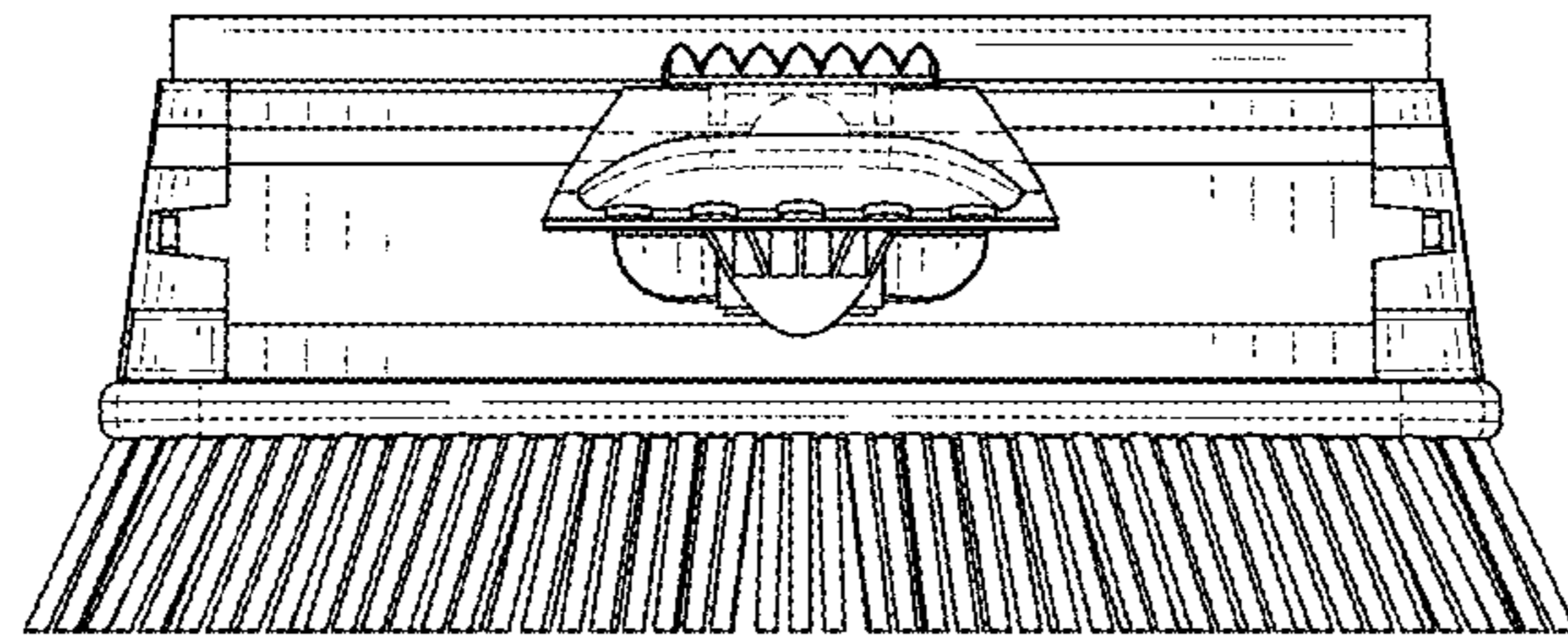


FIG. 8

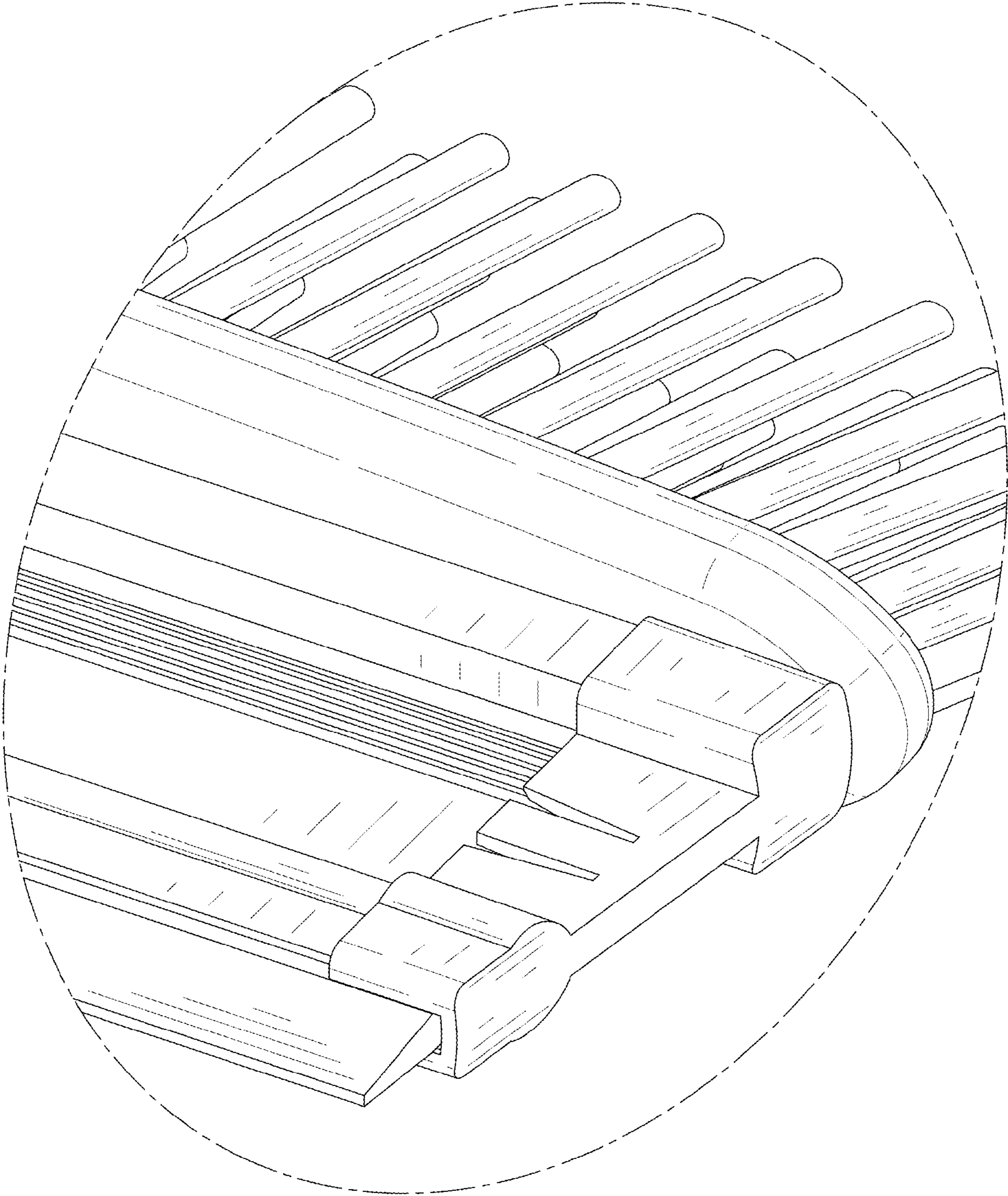


FIG. 9

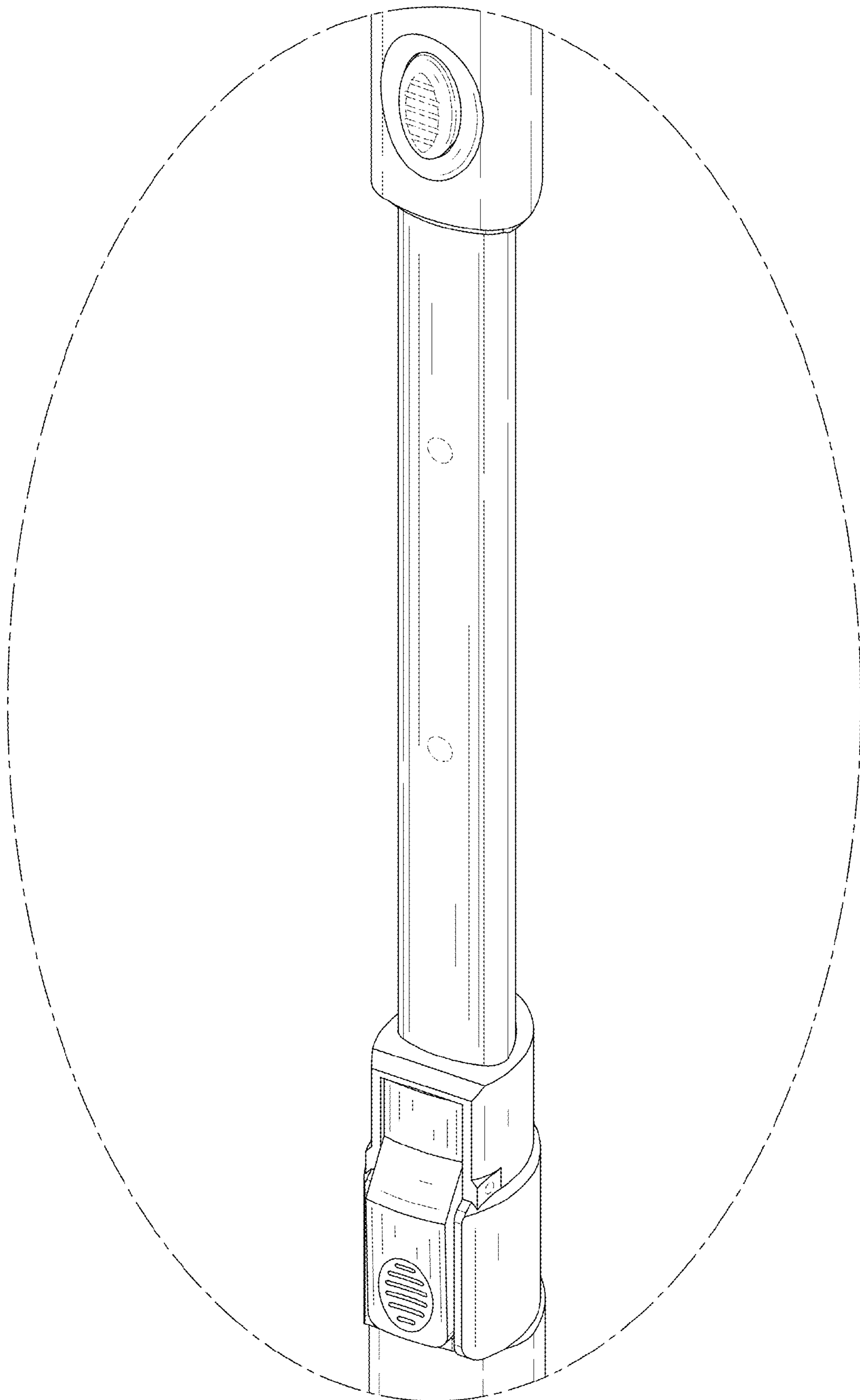


FIG. 10

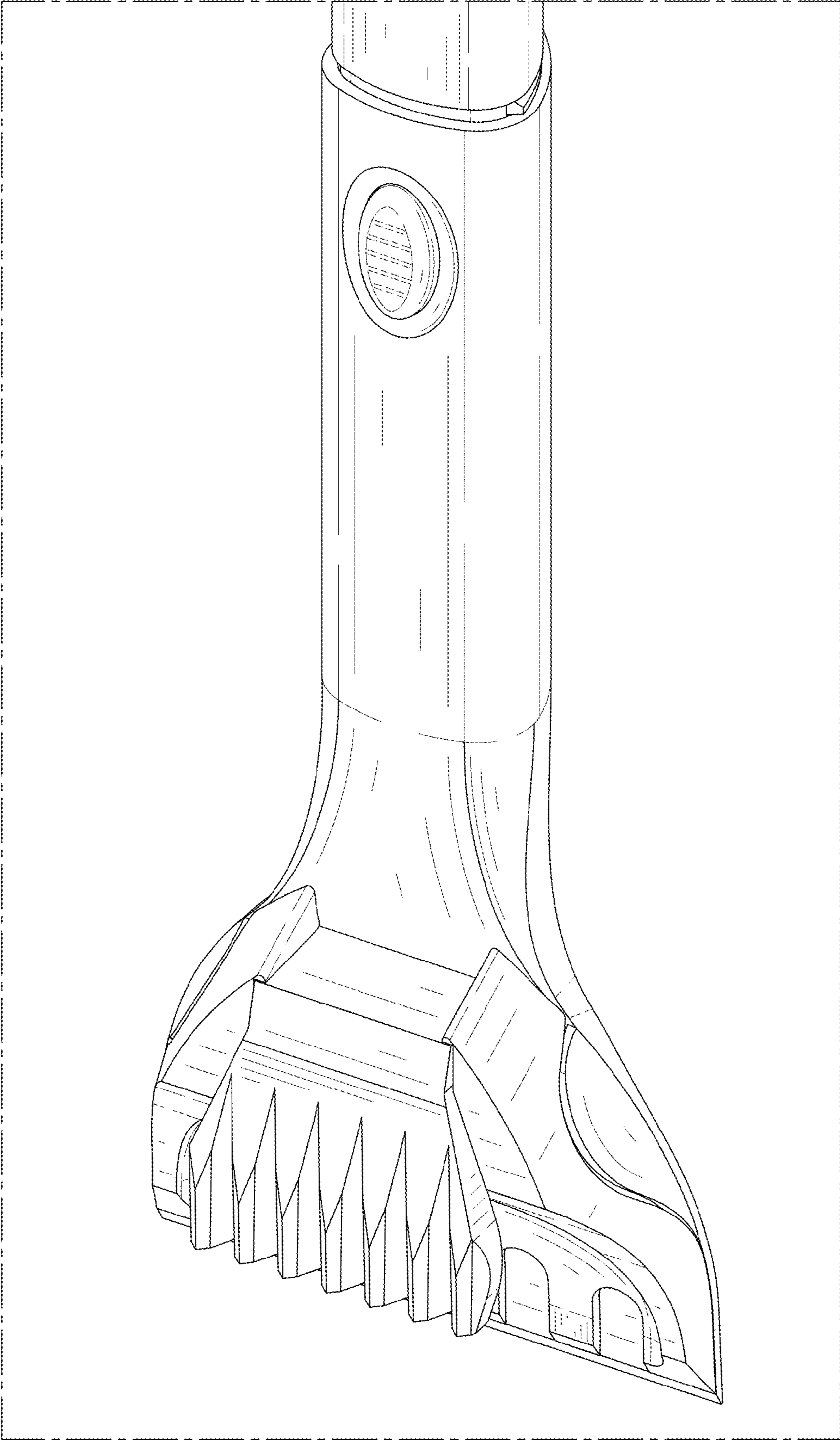


FIG. 11

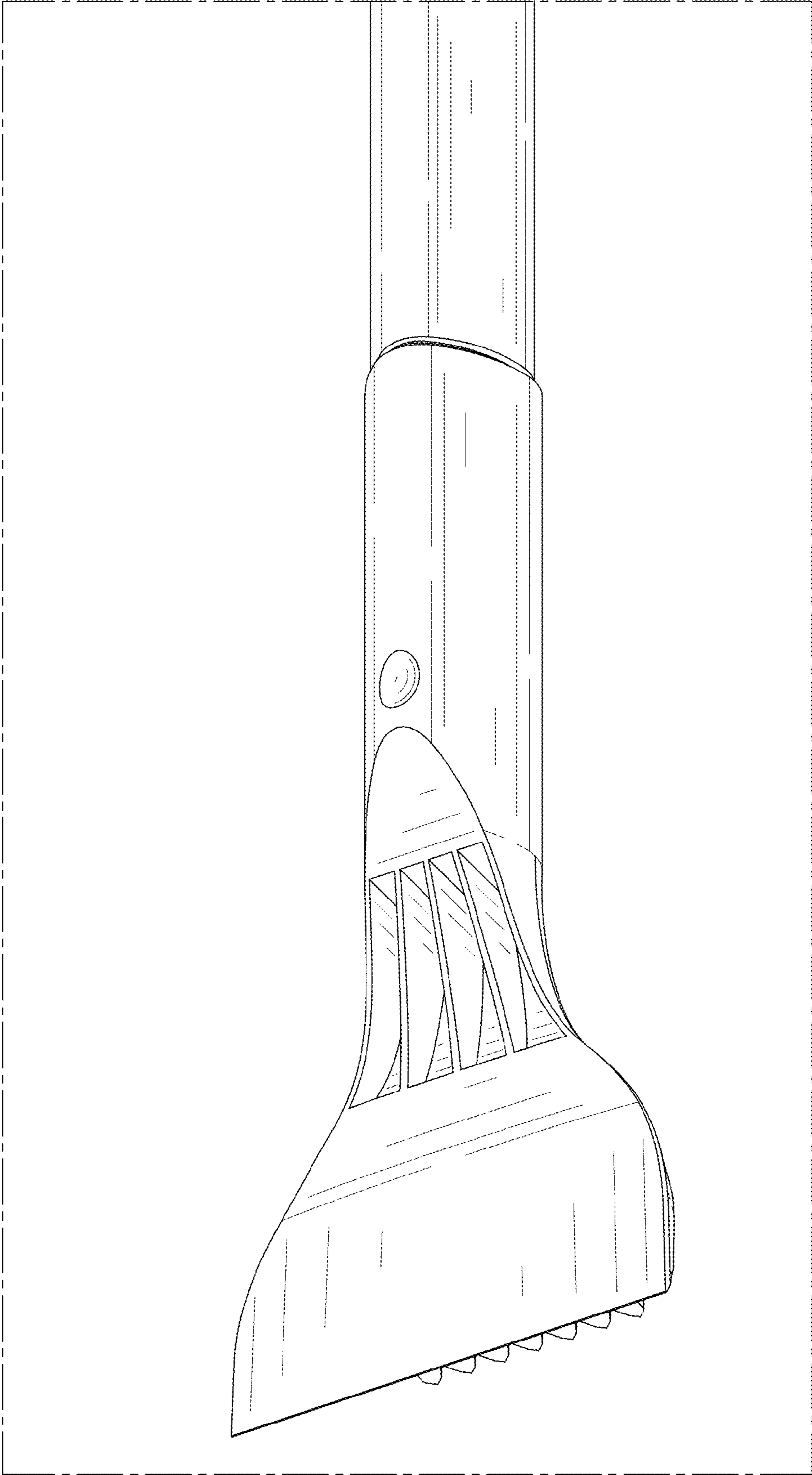


FIG. 12