



US00D955753S

(12) **United States Design Patent**
Zhou et al.

(10) **Patent No.:** **US D955,753 S**
(45) **Date of Patent:** **** Jun. 28, 2022**

(54) **REFILL HEAD FOR A TOOTHBRUSH**

DESCRIPTION

- (71) Applicant: **Colgate-Palmolive Company**, New York, NY (US)
- (72) Inventors: **Jiang Zhou**, Yangzhou (CN); **Fan Gang Xie**, Shanghai (CN); **Yanmei Ji**, Jiangsu (CN); **Guoqiang Liu**, Yangzhou (CN); **Wen Jin Xi**, Shanghai (CN)
- (73) Assignee: **Colgate-Palmolive Company**, New York, NY (US)
- (**) Term: **15 Years**
- (21) Appl. No.: **29/733,212**
- (22) Filed: **Apr. 30, 2020**
- (51) **LOC (13) Cl.** **28-03**
- (52) **U.S. Cl.**
USPC **D4/101; D4/113**
- (58) **Field of Classification Search**
USPC D4/100, 101, 104, 108, 109, 111, 113, D4/114, 121, 127, 129, 130, 132, 134,
(Continued)

(56) **References Cited**

U.S. PATENT DOCUMENTS

- D632,894 S 2/2011 Takashi et al.
- D747,609 S * 1/2016 Watkins D4/101
(Continued)

FOREIGN PATENT DOCUMENTS

- CN 303137887 3/2015
- CN 303651162 4/2016
(Continued)

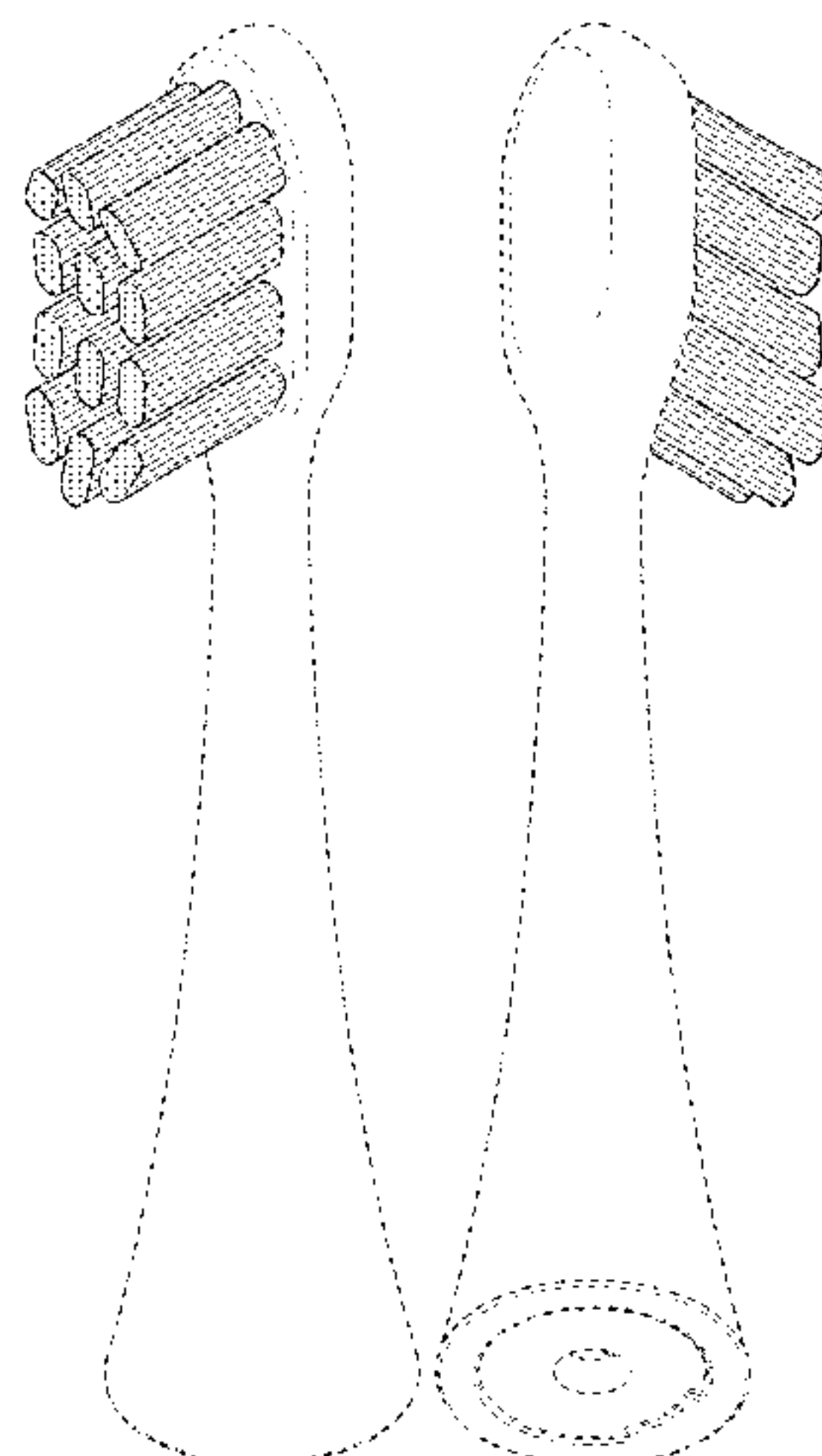
Primary Examiner — Karen E Eldridge Powers

(57) **CLAIM**

The ornamental design for a refill head for a toothbrush, as shown and described.

FIG. 1 is a top, front and left side perspective view of a refill head for a toothbrush according to an embodiment of the new design;
 FIG. 2 is a bottom, rear and right side perspective view thereof;
 FIG. 3 is a front elevation view thereof;
 FIG. 4 is a rear elevation view thereof;
 FIG. 5 is a left side elevation view thereof;
 FIG. 6 is a right side elevation view thereof;
 FIG. 7 is an enlarged top plan view thereof;
 FIG. 8 is an enlarged bottom plan view thereof;
 FIG. 9 is a front perspective view of a refill head for a toothbrush according to a second embodiment of the new design;
 FIG. 10 is a rear perspective view thereof;
 FIG. 11 is a front view thereof;
 FIG. 12 is a rear view thereof;
 FIG. 13 is a left side view thereof;
 FIG. 14 is a right side view thereof;
 FIG. 15 is an enlarged top view thereof;
 FIG. 16 is an enlarged bottom view thereof;
 FIG. 17 is a front perspective view of a refill head for a toothbrush according to a third embodiment of the new design;
 FIG. 18 is a rear perspective view thereof;
 FIG. 19 is a front view thereof;
 FIG. 20 is a rear view thereof;
 FIG. 21 is a left side view thereof;
 FIG. 22 is a right side view thereof;
 FIG. 23 is an enlarged top view thereof;
 FIG. 24 is an enlarged bottom view thereof;
 FIG. 25 is a front perspective view of a refill head for a toothbrush according to a fourth embodiment of the new design;
 FIG. 26 is a rear perspective view thereof;
 FIG. 27 is a front view thereof;
 FIG. 28 is a rear view thereof;
 FIG. 29 is a left side view thereof;
 FIG. 30 is a right side view thereof;
 FIG. 31 is an enlarged top view thereof; and,
 FIG. 32 is an enlarged bottom view thereof.

(Continued)



The dashed broken lines illustrate portions of the refill head for a toothbrush that form no part of the claimed design. The dot-dash broken lines define the bounds of the claimed design and form no part thereof.

1 Claim, 20 Drawing Sheets

(58) Field of Classification Search

USPC D4/138, 199, 105, 106, 107, 110, 112, D4/116; D30/158, 159; D24/176
CPC A46B 5/02; A46B 2200/1066; A46B 2200/1073; A46B 2200/1086
See application file for complete search history.

(56) References Cited

U.S. PATENT DOCUMENTS

D759,380 S * 6/2016 Watkins D4/101
D759,383 S * 6/2016 Watkins D4/101

D794,333 S 8/2017 Bloch et al.
D851,938 S 6/2019 Bloch et al.
D853,730 S * 7/2019 Zhou D4/101
10,455,929 B2 * 10/2019 Corbett A46B 9/06
D887,145 S * 6/2020 Hu D4/101
D919,301 S * 5/2021 Zhao D4/101
11,096,768 B1 * 8/2021 Lin A61C 17/222
D931,615 S * 9/2021 Huang D4/101
D933,962 S * 10/2021 He D4/101

FOREIGN PATENT DOCUMENTS

CN 303919026 11/2016
CN 304251488 8/2017
CN 304739820 S 7/2018
CN 305642494 S 3/2020
CN 305642495 S 3/2020
EM 002163675-0002 1/2013
EM 002424069-0001 3/2014
EM 002488676-0002 6/2014

* cited by examiner

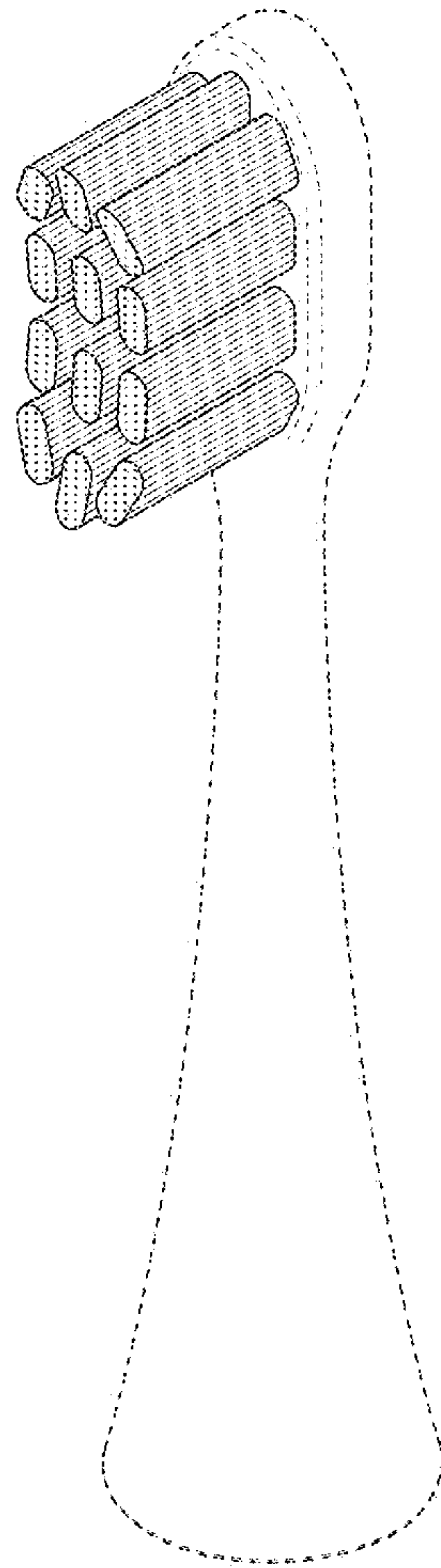


FIG. 1

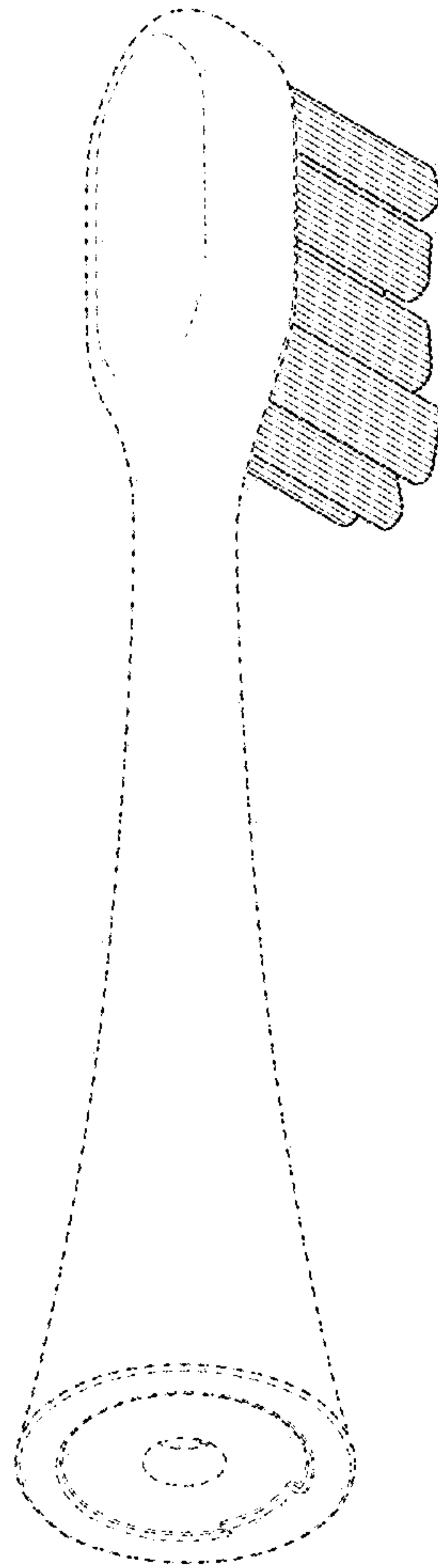


FIG. 2

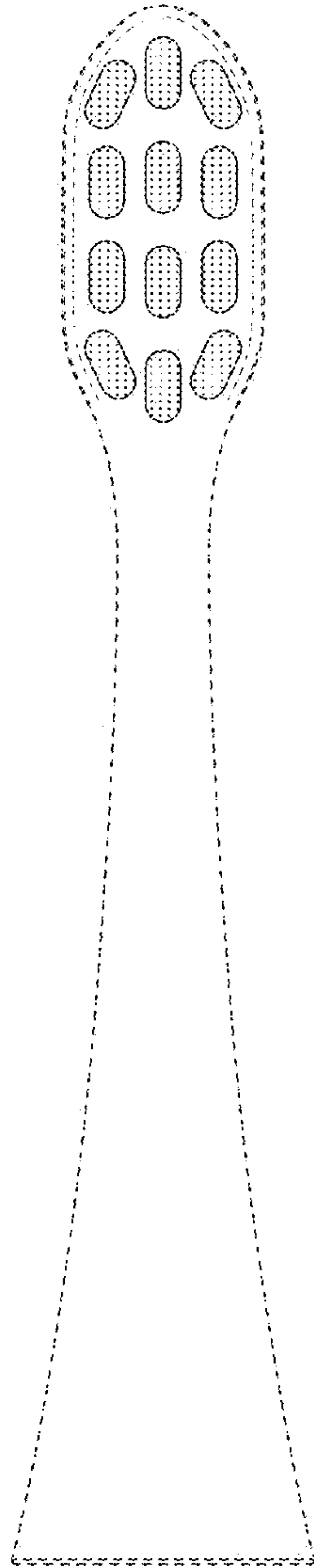


FIG. 3

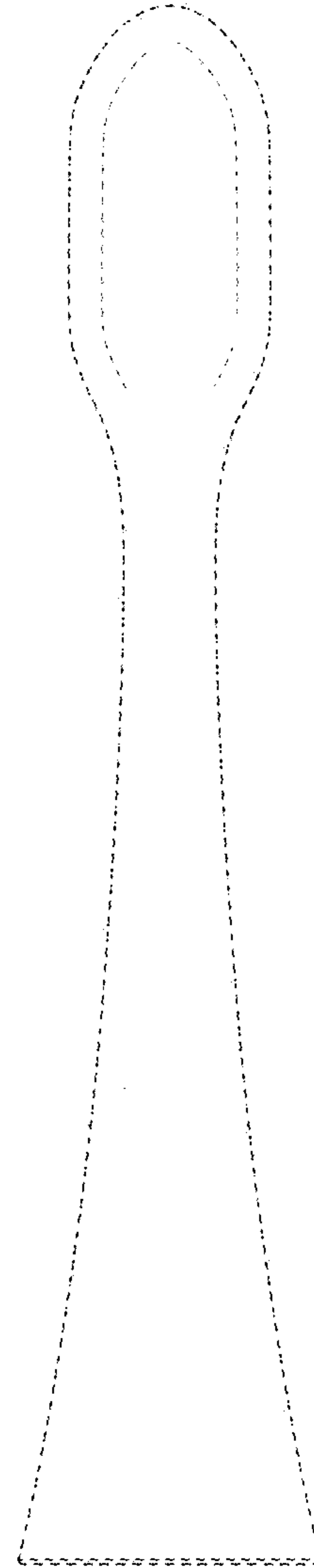


FIG. 4

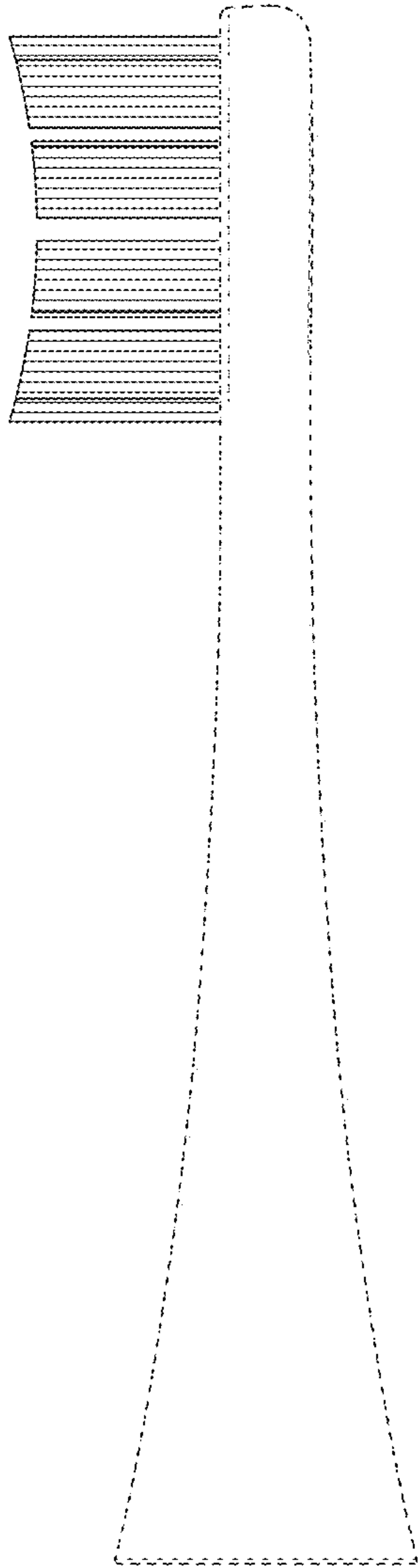


FIG. 5

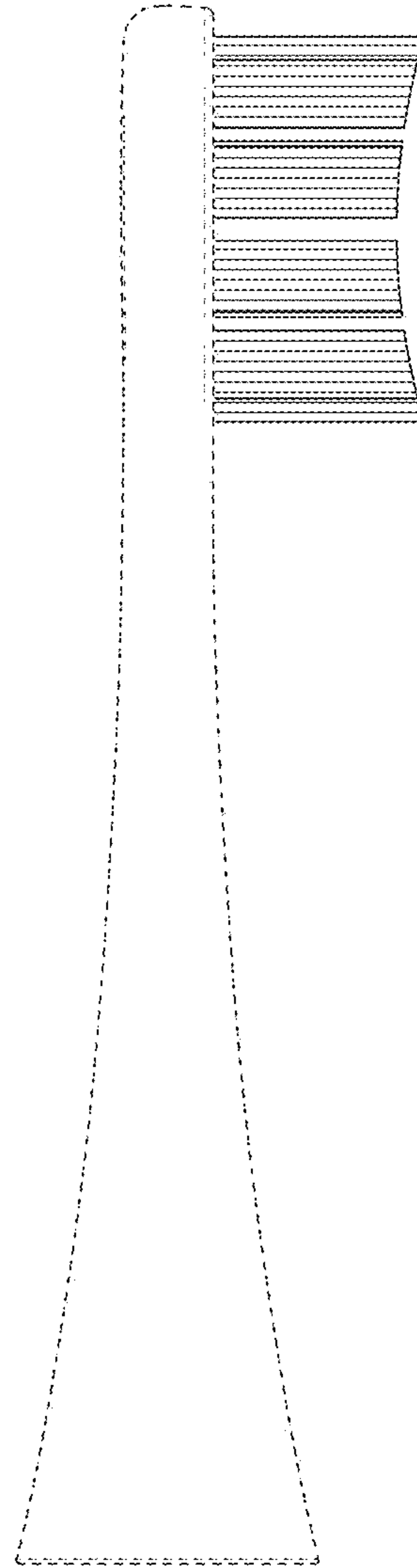


FIG. 6

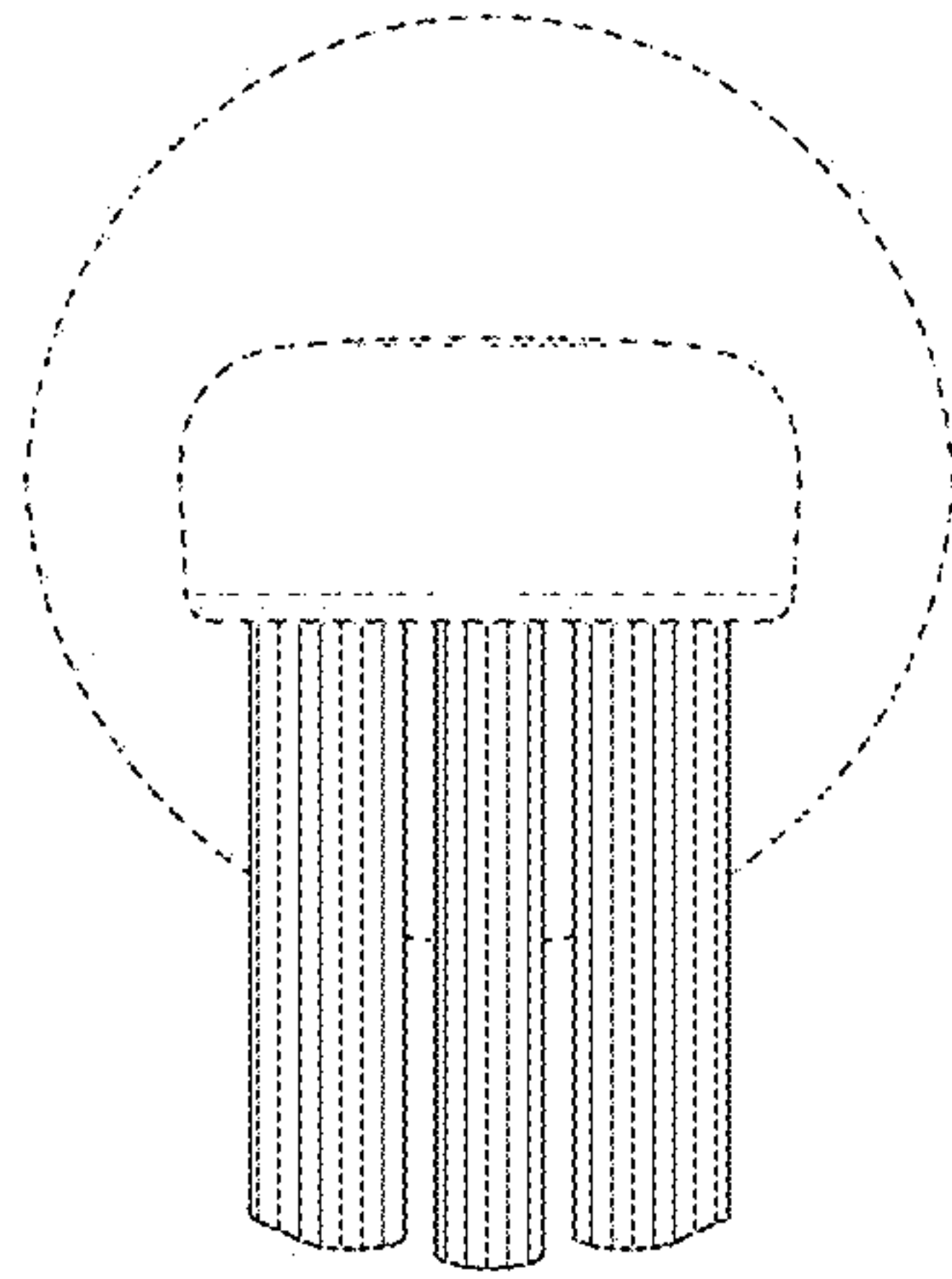


FIG. 7

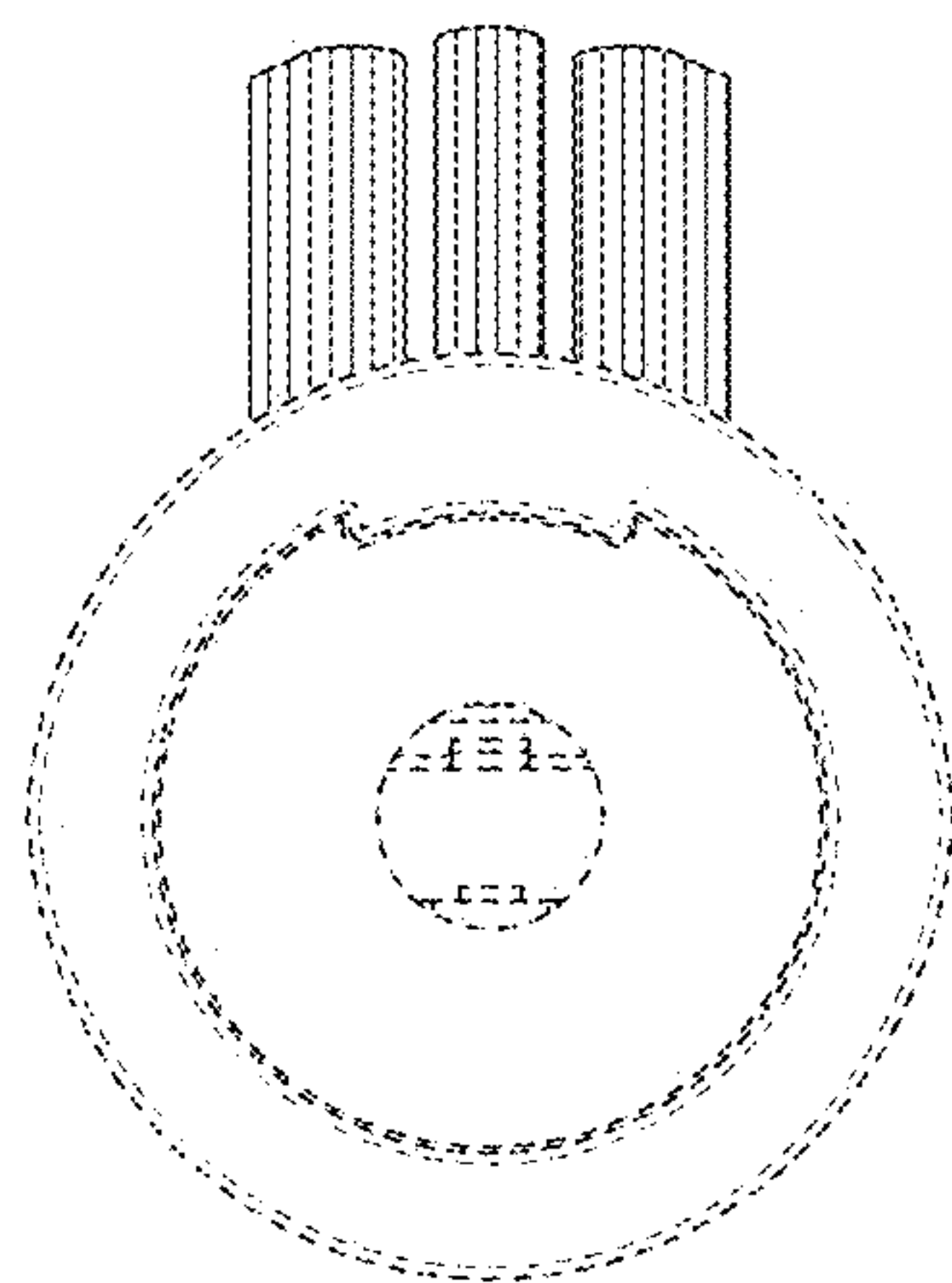


FIG. 8

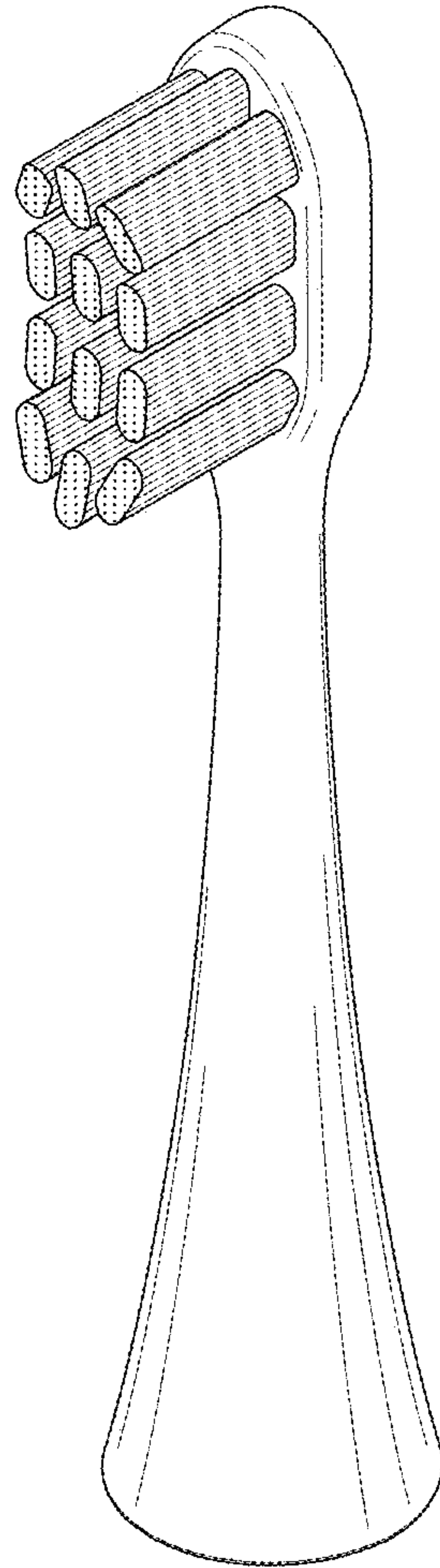


FIG. 9

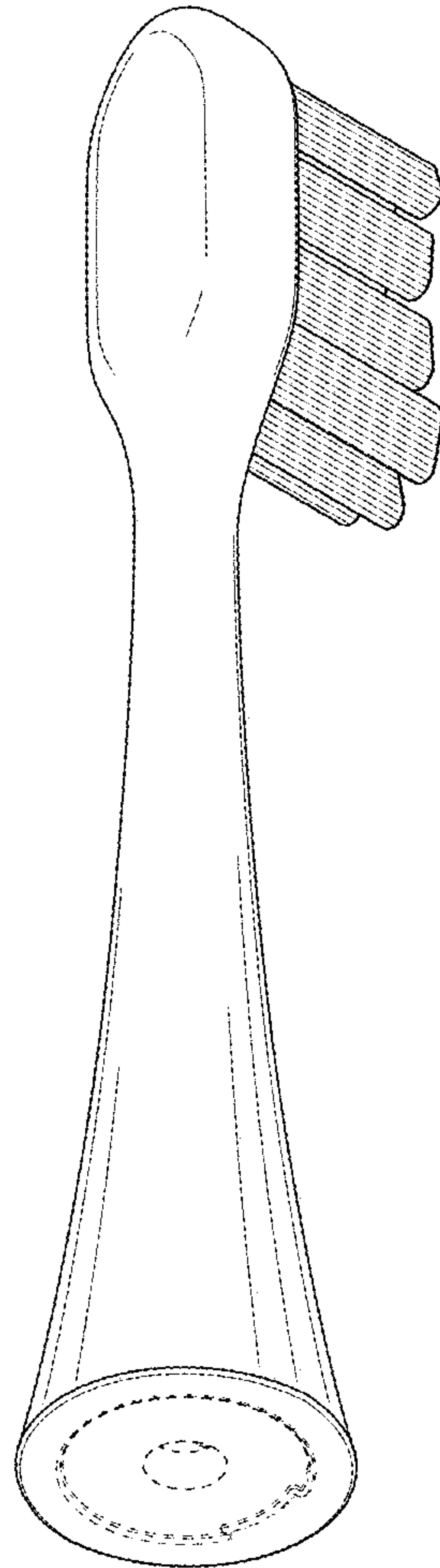


FIG. 10

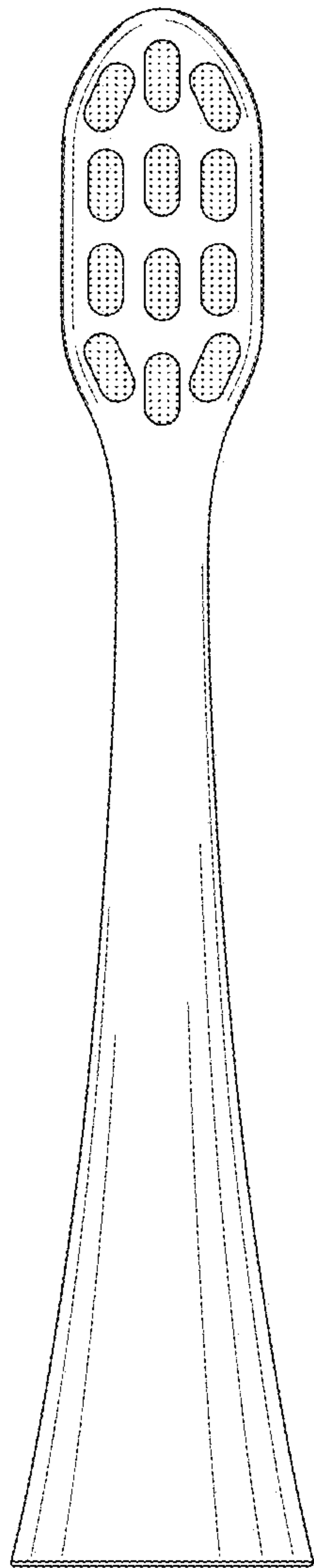


FIG. 11

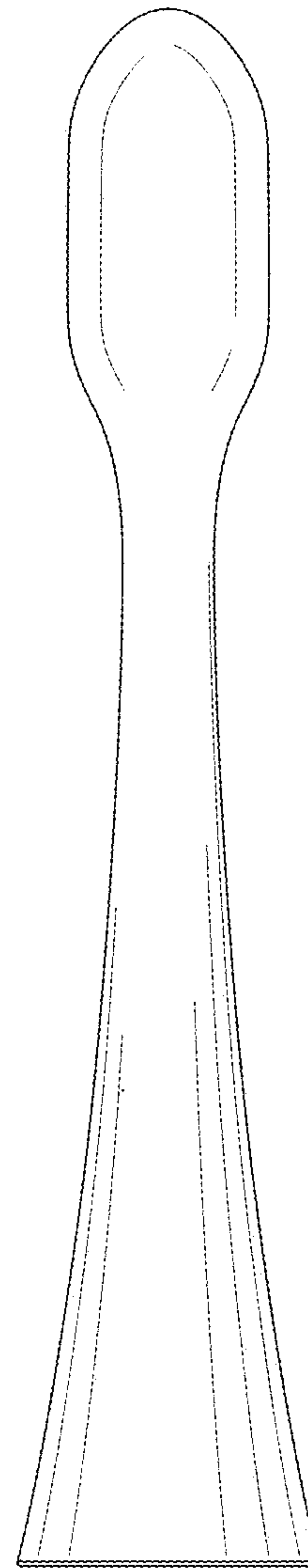


FIG. 12

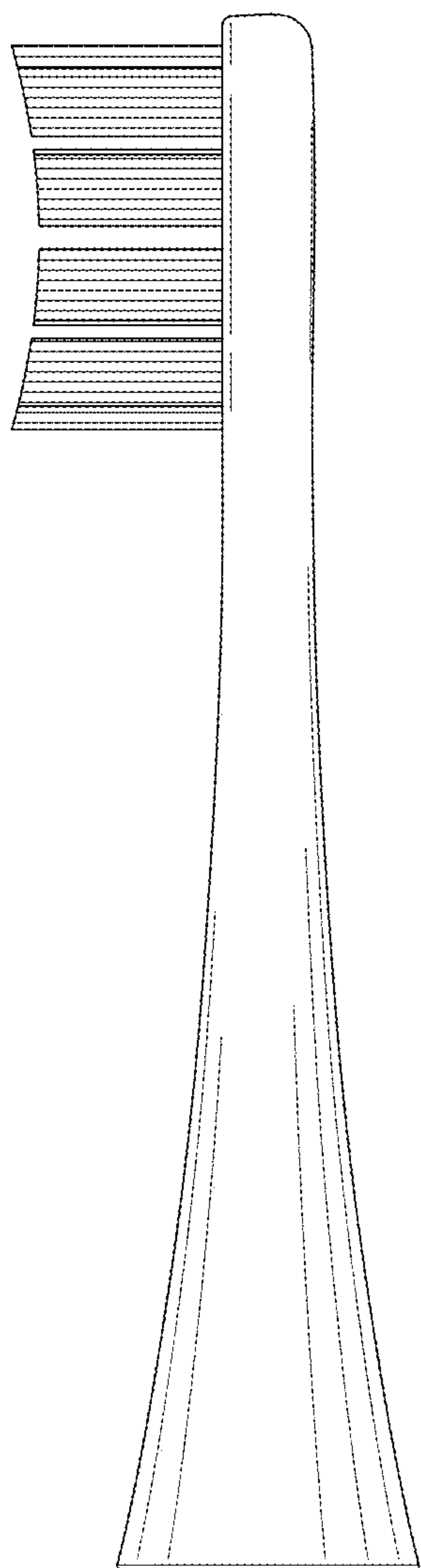


FIG. 13

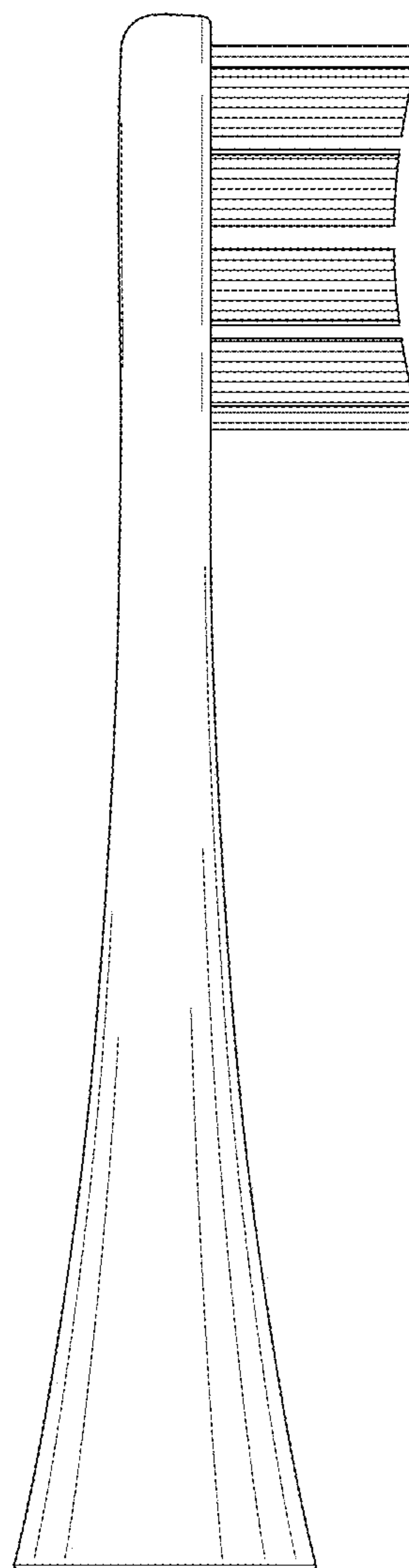


FIG. 14

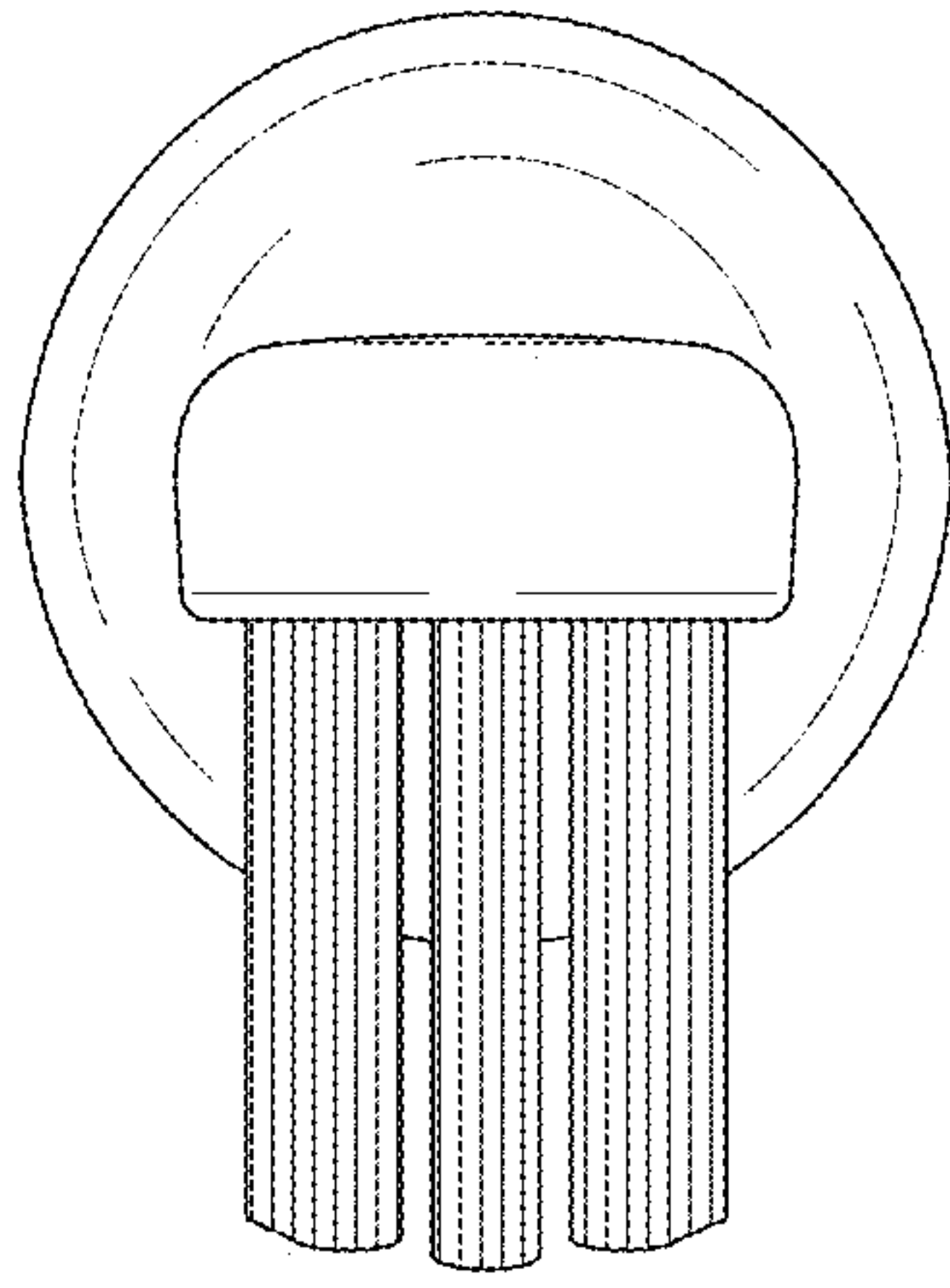


FIG. 15

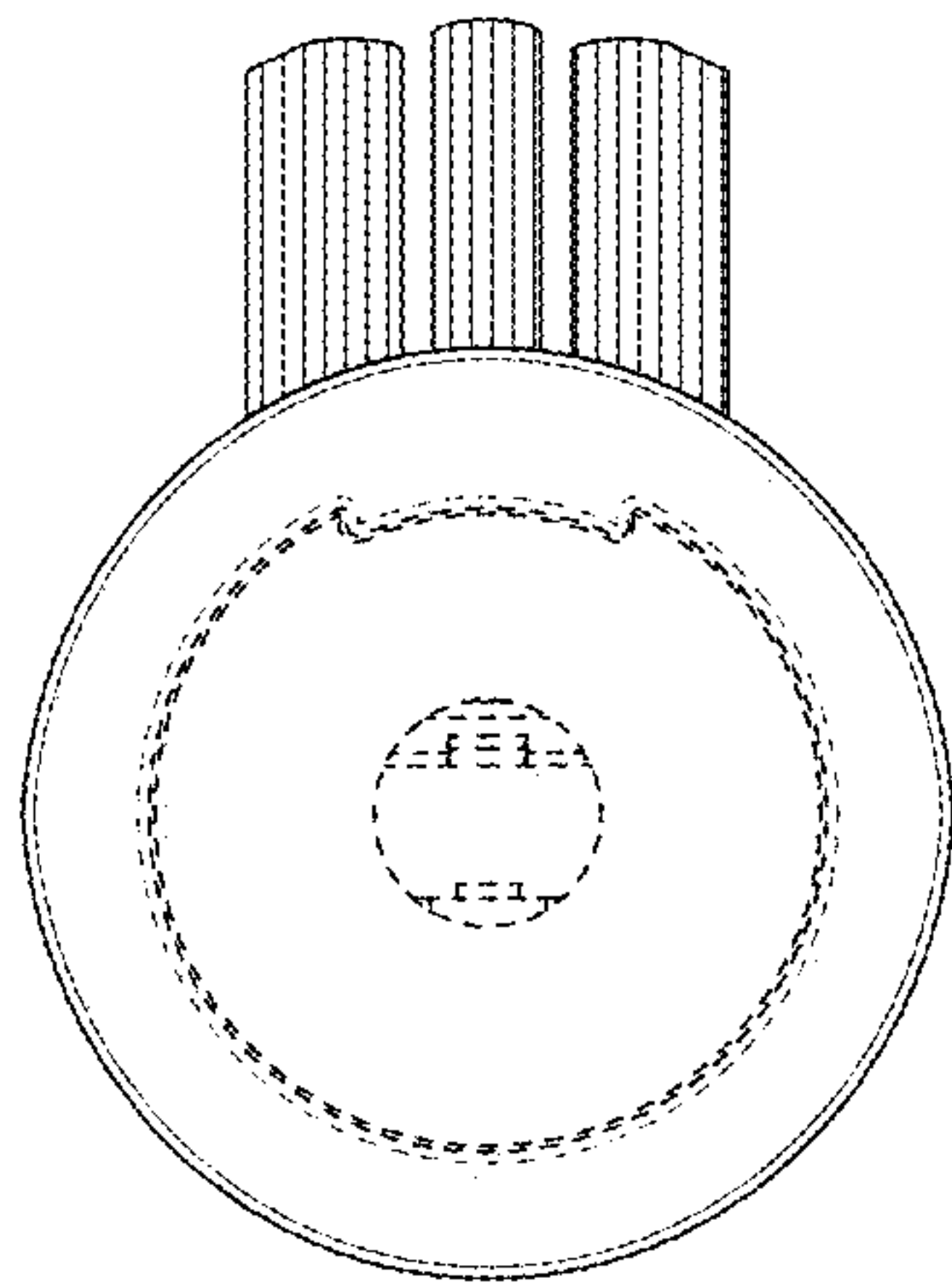


FIG. 16

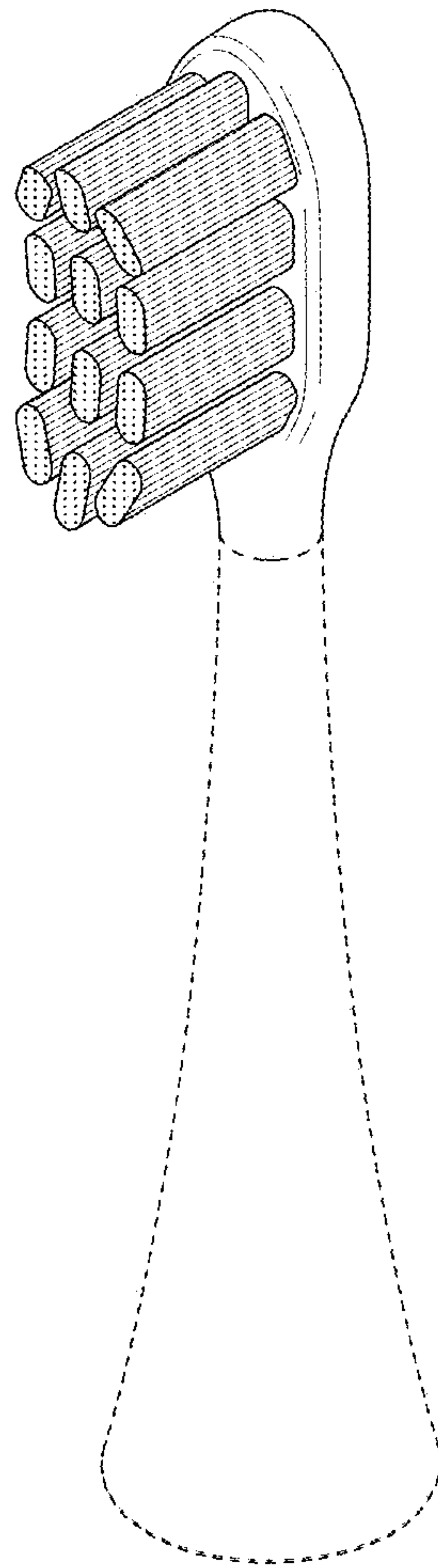


FIG. 17

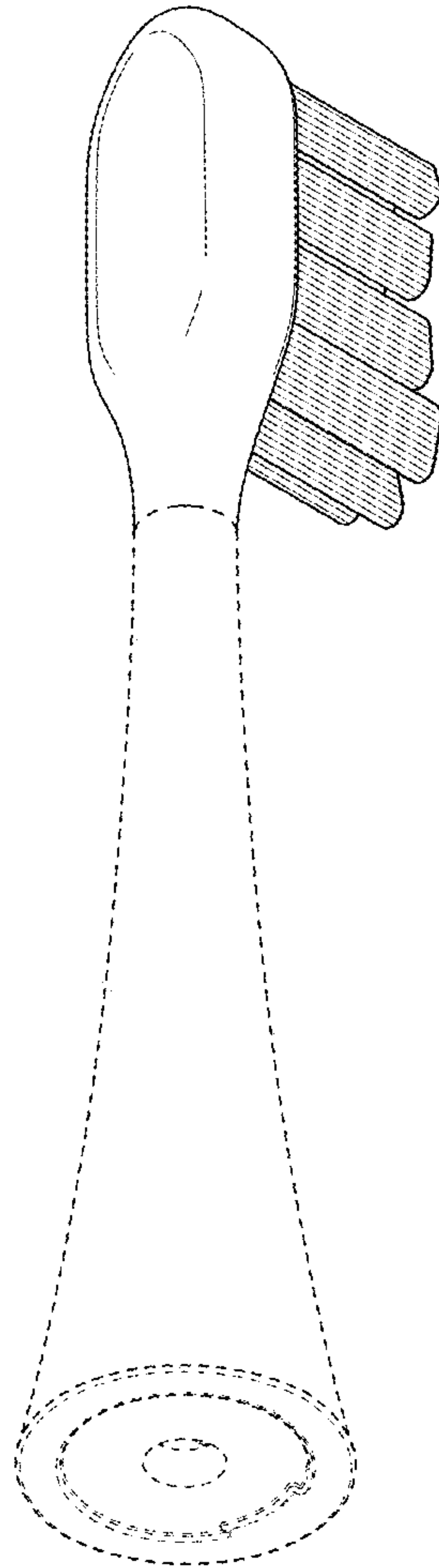


FIG. 18

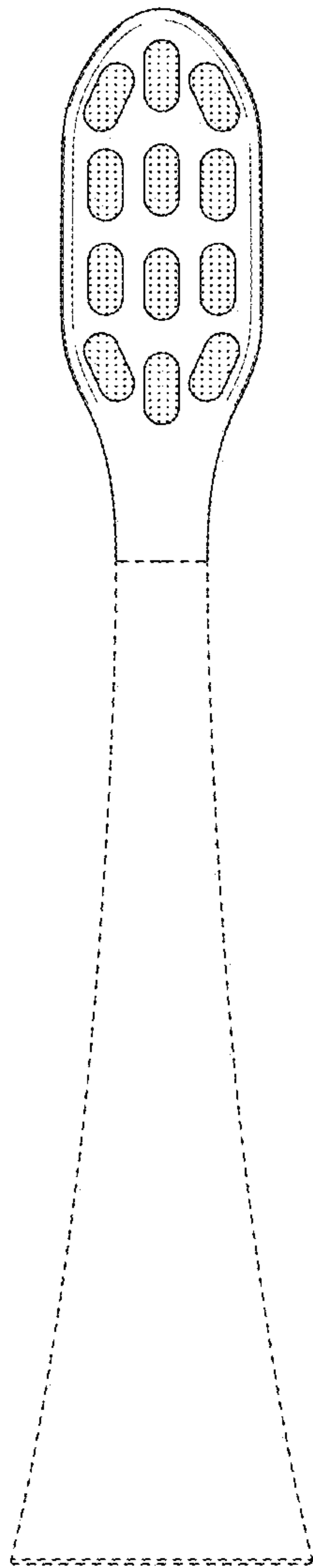


FIG. 19

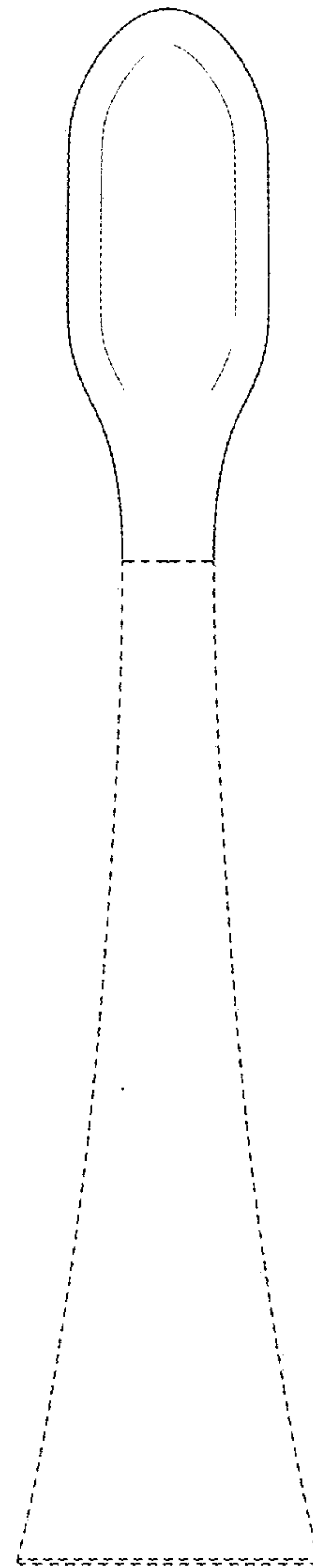


FIG. 20

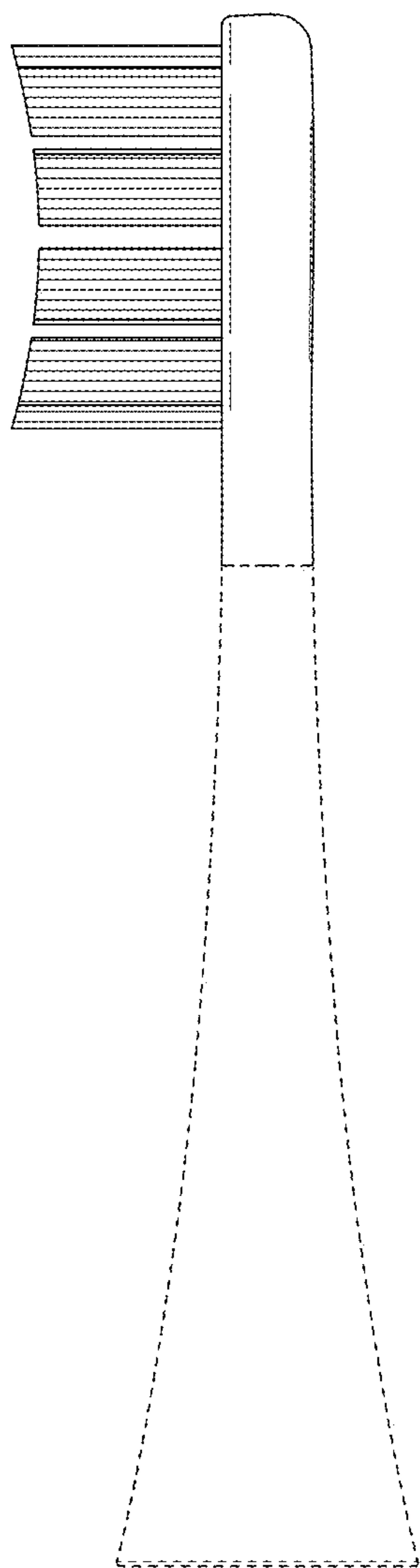


FIG. 21

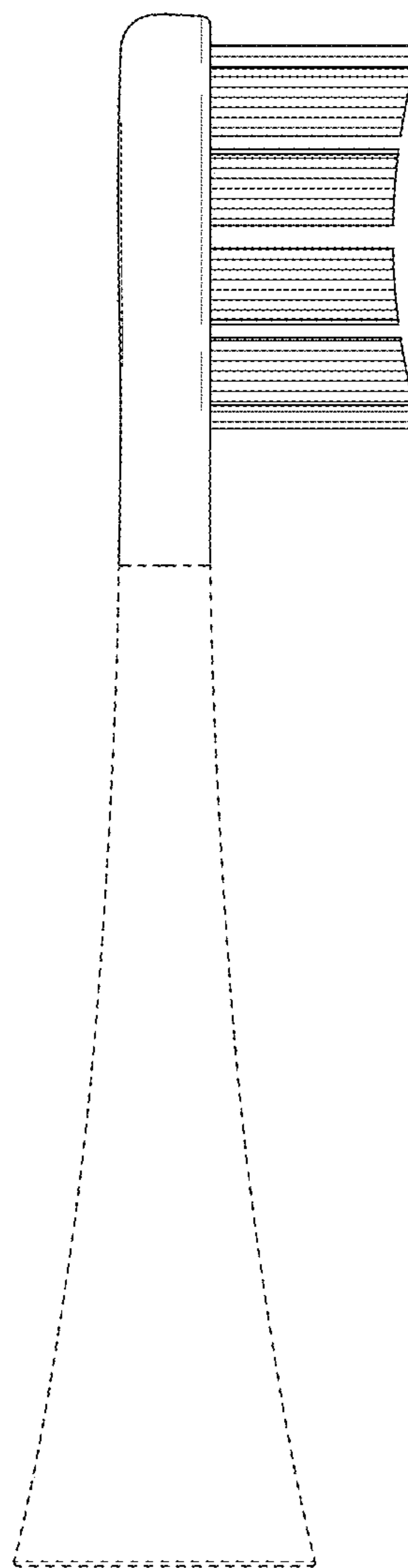


FIG. 22

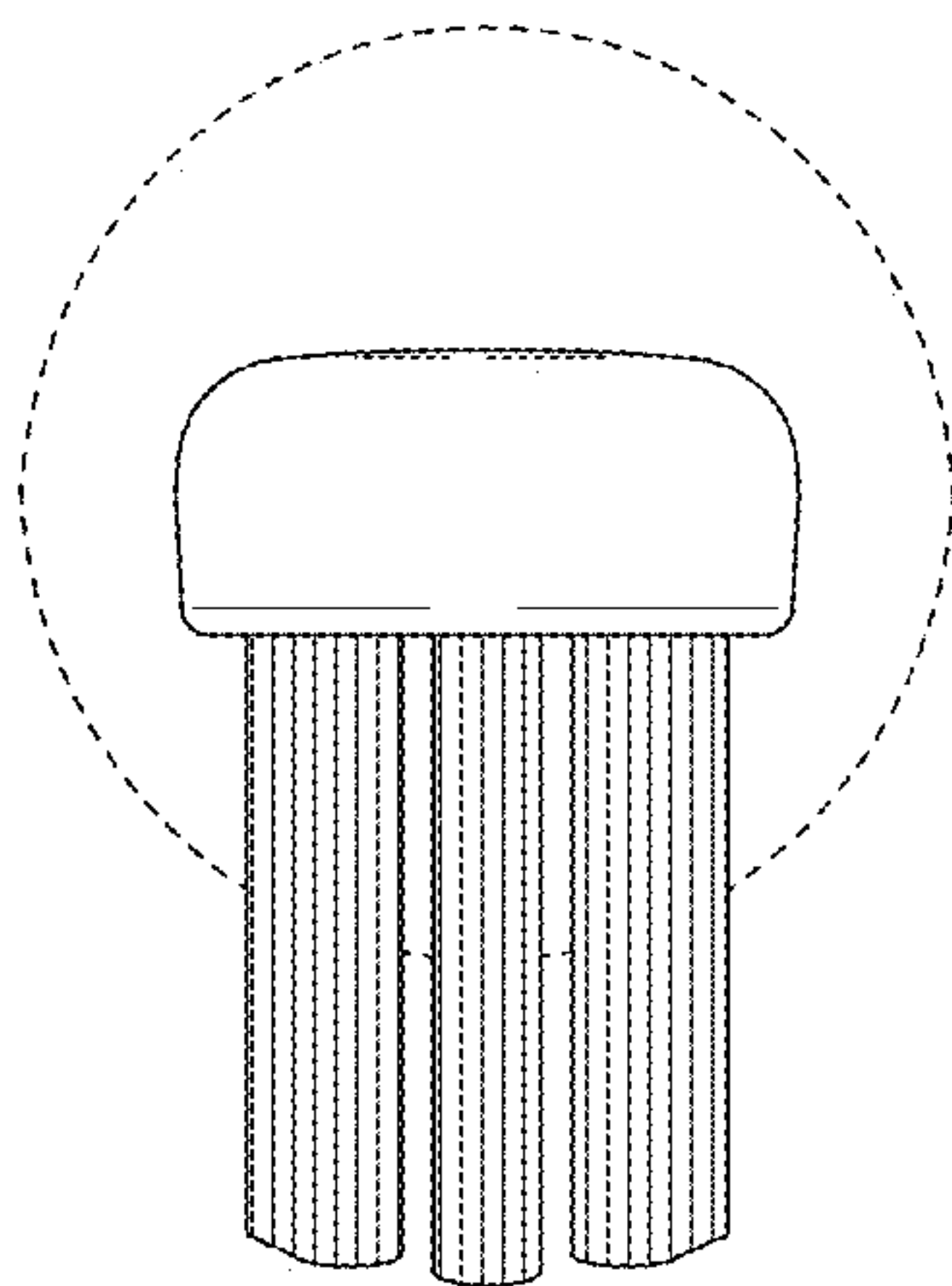


FIG. 23

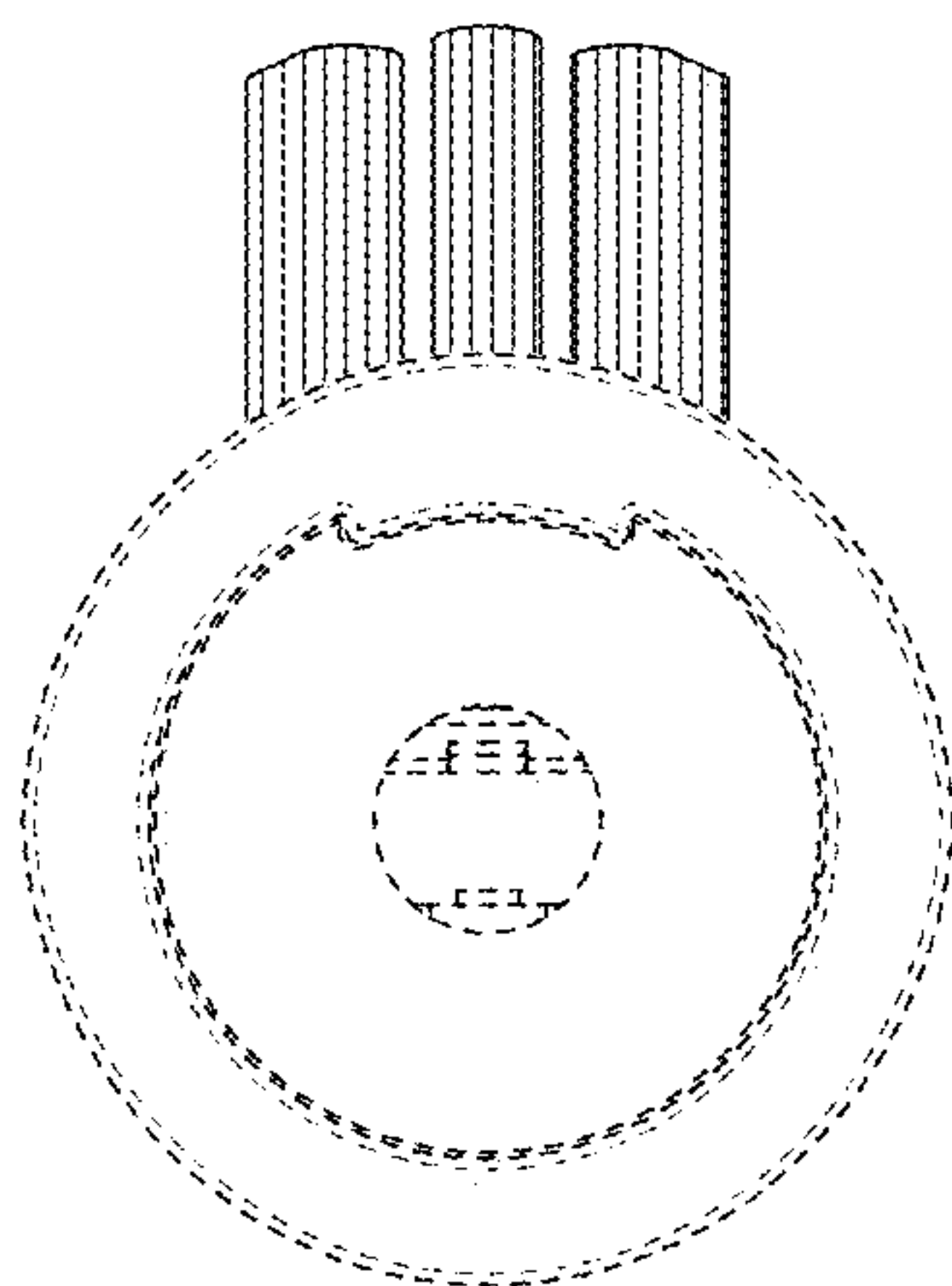


FIG. 24

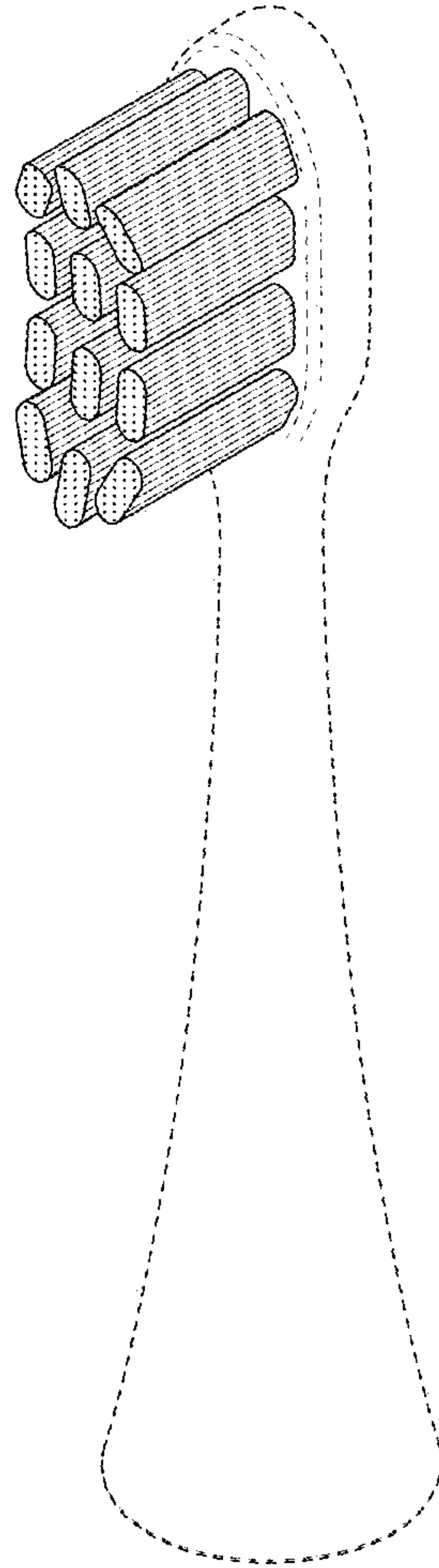


FIG. 25

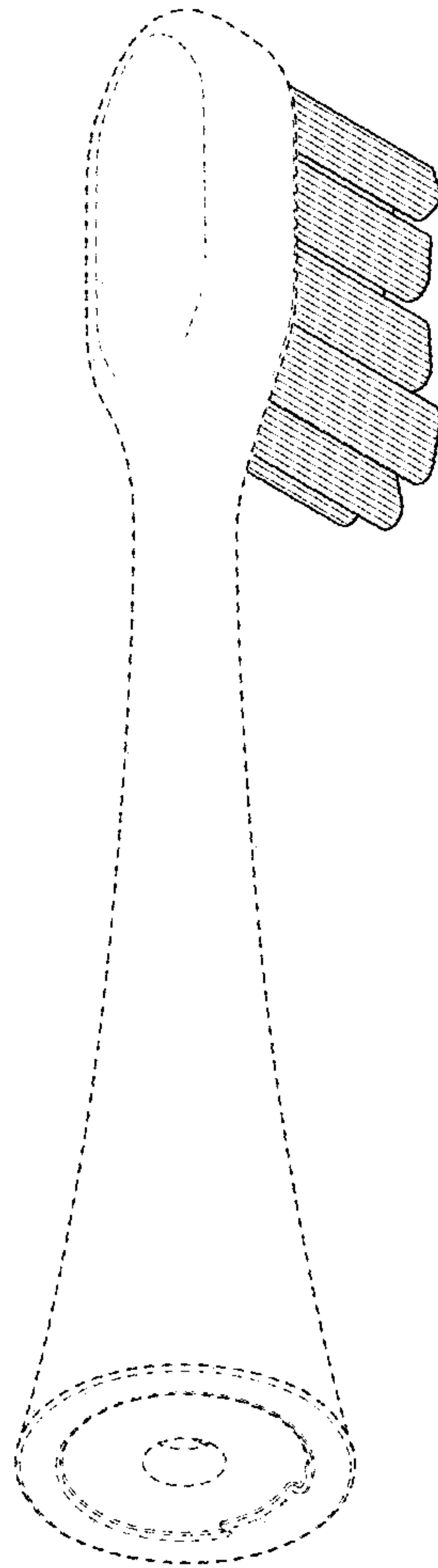


FIG. 26

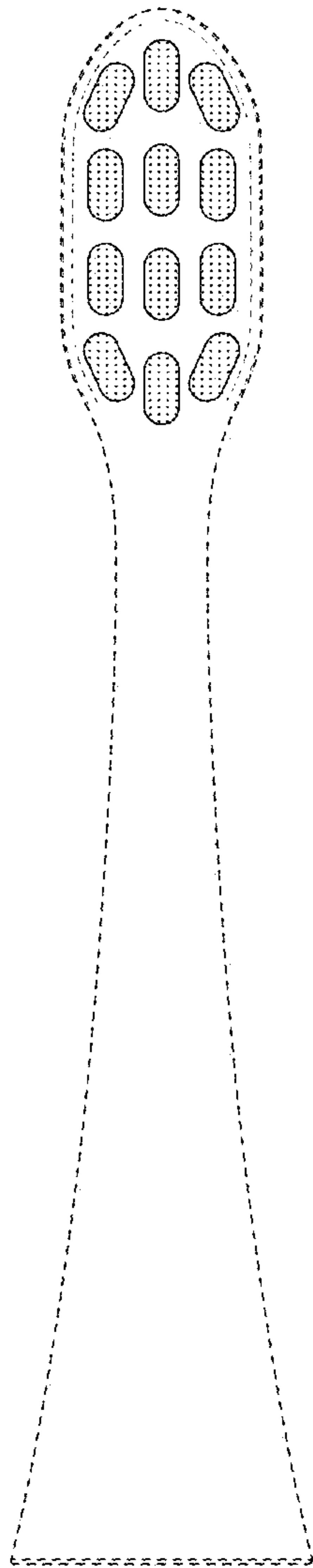


FIG. 27

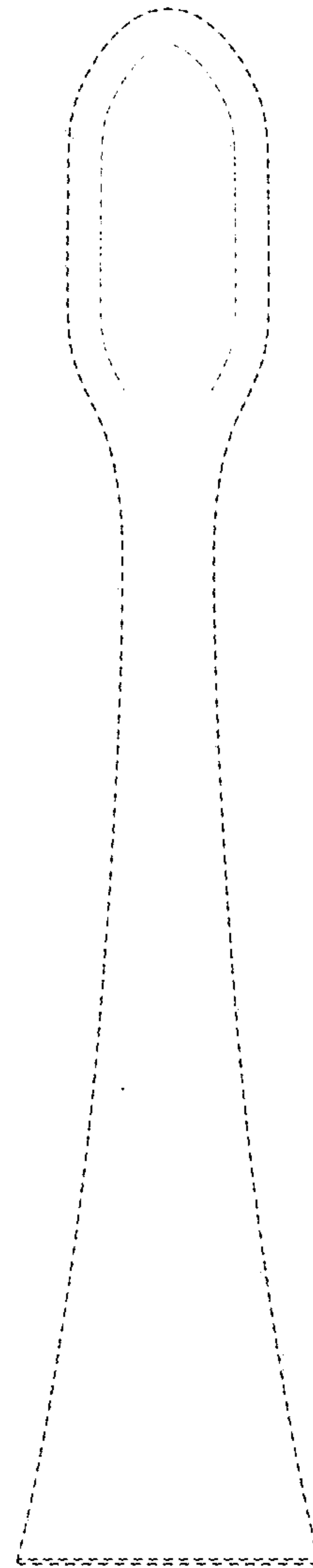


FIG. 28

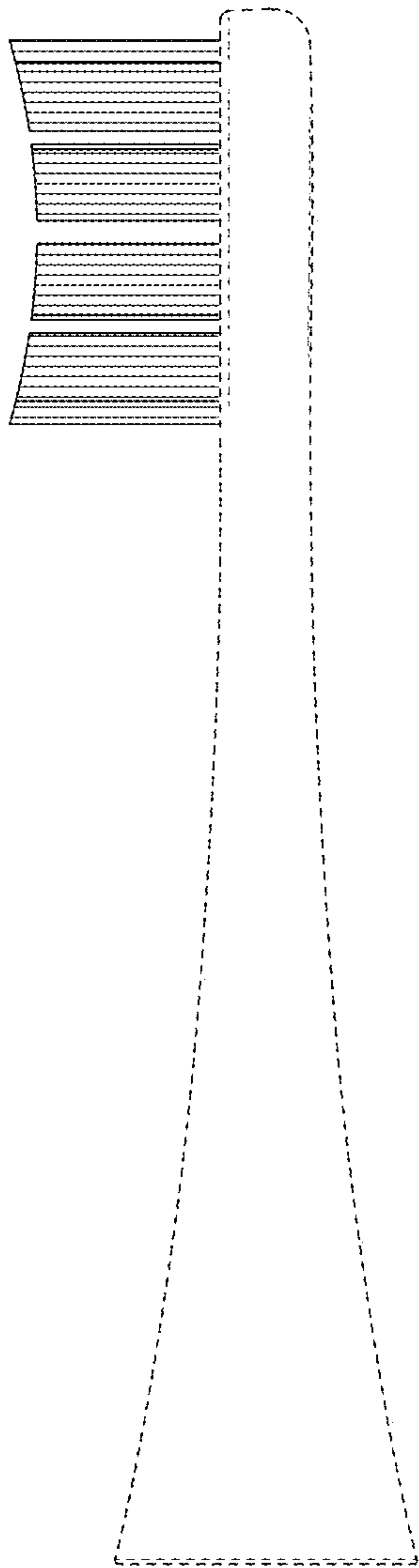


FIG. 29

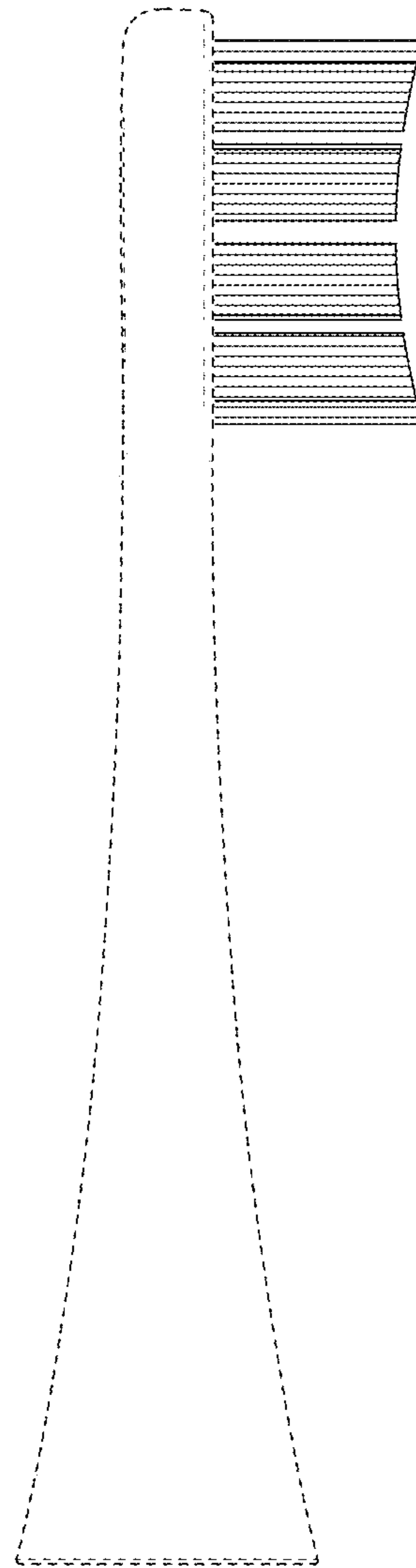


FIG. 30

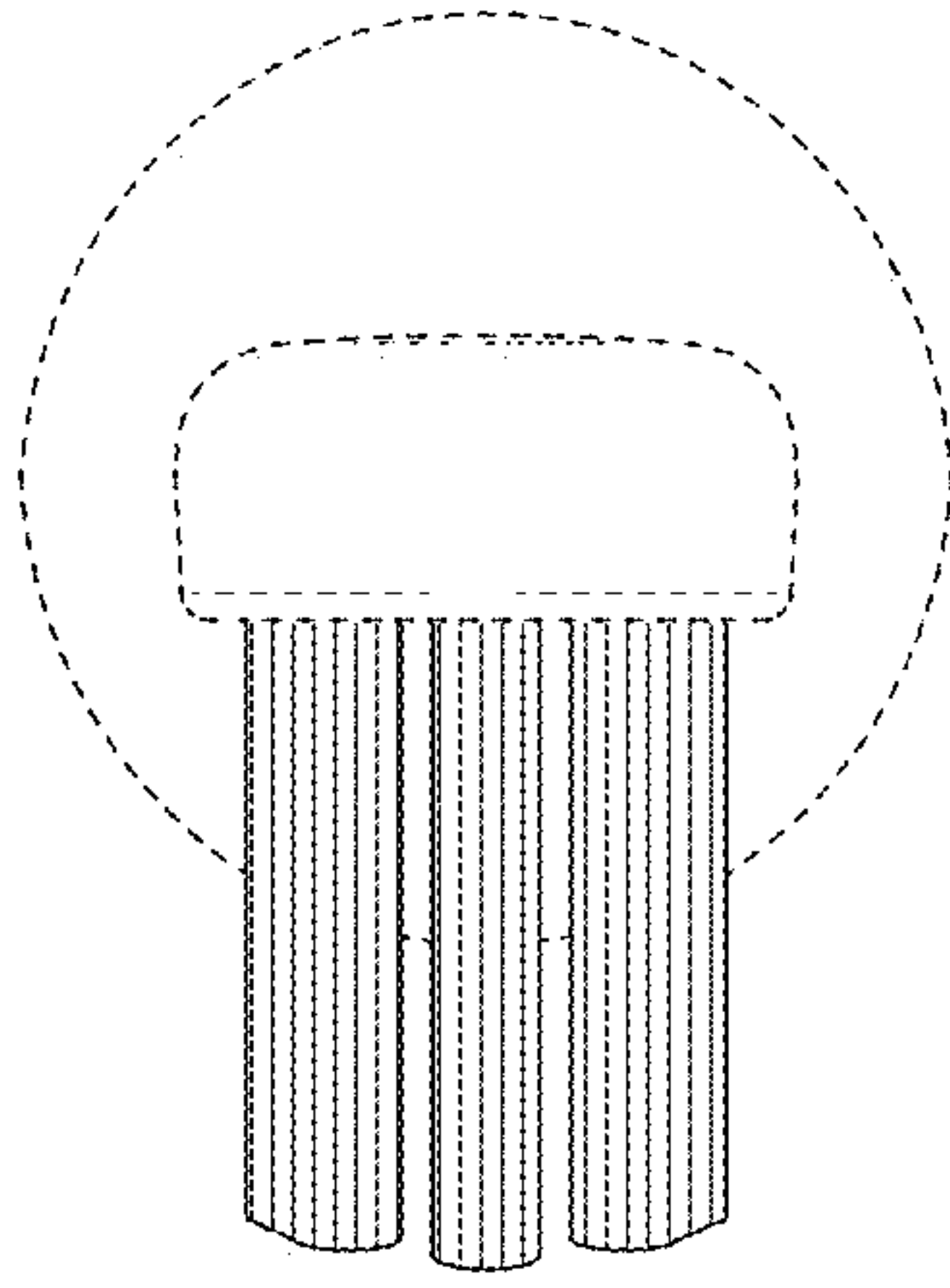


FIG. 31

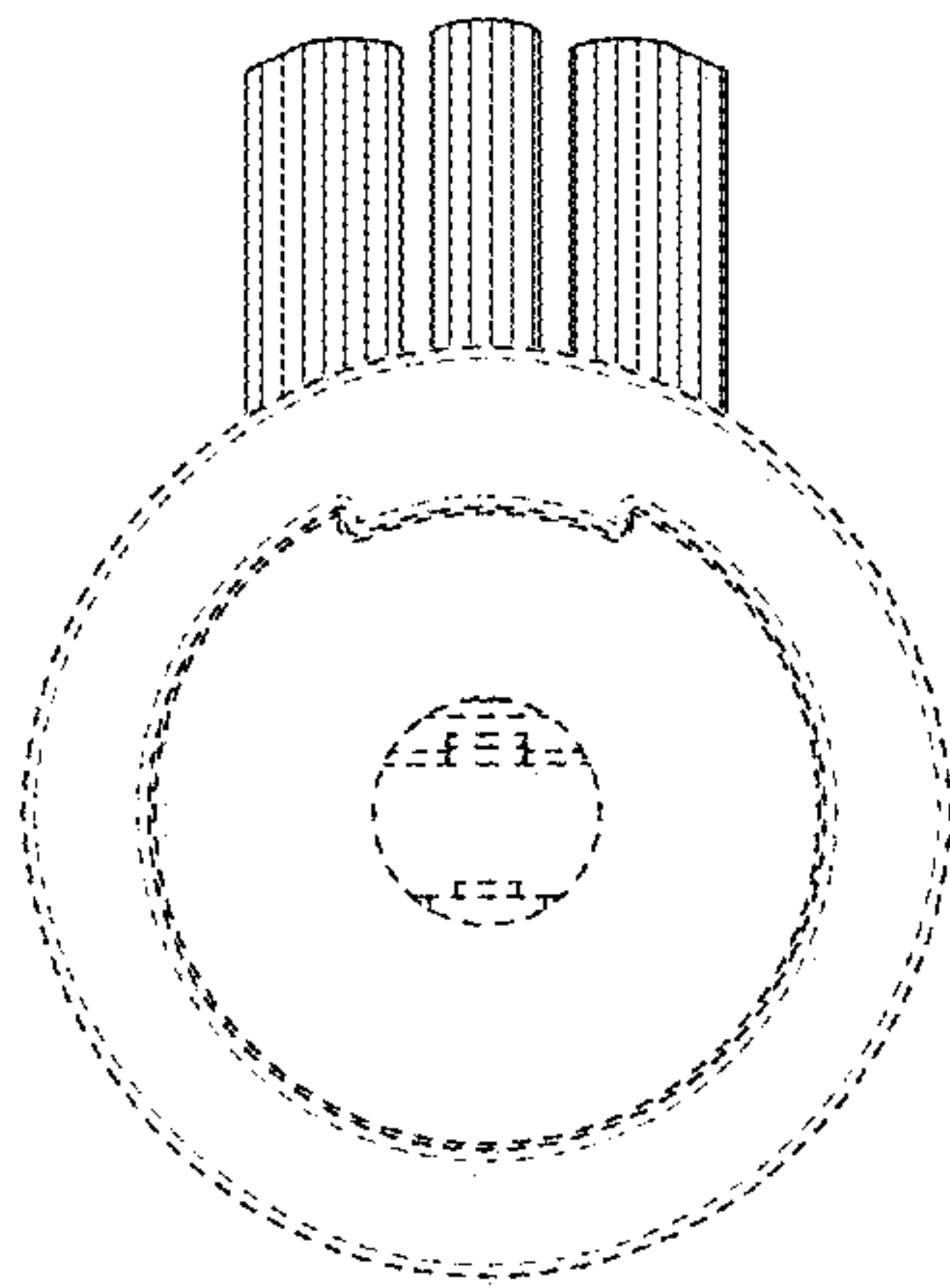


FIG. 32