



US00D955747S

(12) **United States Design Patent**
Desroches et al.

(10) **Patent No.:** **US D955,747 S**
(45) **Date of Patent:** **** *Jun. 28, 2022**

- (54) **DUFFEL BAG**
- (71) Applicant: **YETI Coolers, LLC**, Austin, TX (US)
- (72) Inventors: **Donald Edward Desroches**, Austin, TX (US); **John W. Dow**, Austin, TX (US); **Calvin Tabor**, Austin, TX (US)
- (73) Assignee: **YETI Coolers, LLC**, Austin, TX (US)
- (*) Notice: This patent is subject to a terminal disclaimer.
- (**) Term: **15 Years**
- (21) Appl. No.: **29/762,932**
- (22) Filed: **Dec. 18, 2020**
- (51) **LOC (13) Cl.** **03-01**
- (52) **U.S. Cl.**
USPC **D3/289**
- (58) **Field of Classification Search**
USPC D3/203.1–203.2, 203.5–203.6, 206, 254, D3/263, 267–268, 272–273, 276, 279, D3/281–290, 294, 299, 301, 303, D3/318–319, 321, 327, 902
CPC .. A45C 1/024; A45C 3/00; A45C 3/02; A45C 2003/007; A45C 2003/008; A45C 5/00; A45C 5/02; A45C 5/03; A45C 5/04; A45C 5/06; A45C 5/14; A45C 5/005; A45C 2005/032; A45C 2005/035; A45C 2005/037; A45C 2005/142; A45C 2005/148; A45C 7/00; A45C 7/0018; A45C 2011/003; A45C 13/02; A45C 13/28; A45C 13/36; A45C 13/385; A45C 7/0036
See application file for complete search history.

4,895,230 A 1/1990 King
 D371,907 S * 7/1996 Cyr D3/286
 6,296,165 B1 10/2001 Mears
 (Continued)

FOREIGN PATENT DOCUMENTS

CN 301754536 12/2011
 CN 302769599 3/2014
 (Continued)

OTHER PUBLICATIONS

Mountain Classic Cordura Duffle Medium, unknown first available date, llbean.com [online], [site visited Nov. 4, 2021]. Available at URL: <https://www.llbean.com/llb/shop/121980?page=cordura-duffle-medium&bc=50-516673&feat=516673-GN1&csp=f&pos=6> (Year: 2021).*

(Continued)

Primary Examiner — Jeffrey D Asch
Assistant Examiner — Caitlin A Laverty
 (74) *Attorney, Agent, or Firm* — Banner & Witcoff, Ltd.

(57) **CLAIM**

The ornamental design for a duffel bag, as shown and described.

DESCRIPTION

FIG. 1 is a front perspective view of a duffel bag showing our new design;
 FIG. 2 is a front view thereof;
 FIG. 3 is a rear view thereof;
 FIG. 4 is a right side view thereof;
 FIG. 5 is a left side view thereof;
 FIG. 6 is a top view thereof; and,
 FIG. 7 is a bottom view thereof.
 The portions of the duffel bag shown in broken lines and without shading, and broken lines showing stitching and zipper pathways within the shaded areas, form no part of the claimed design.

1 Claim, 7 Drawing Sheets

- (56) **References Cited**
U.S. PATENT DOCUMENTS
4,488,624 A 12/1984 Myers
D281,646 S 12/1985 Bornes et al.
D281,649 S 12/1985 Bornes et al.



(56)

References Cited

U.S. PATENT DOCUMENTS

6,334,519	B1	1/2002	Tong	
6,508,358	B2	1/2003	Cheng	
D478,782	S	8/2003	Li	
6,742,635	B2	6/2004	Hirshberg	
6,821,019	B2	11/2004	Mogil	
7,004,363	B2	2/2006	Fenton et al.	
D518,956	S	4/2006	Van Himbeeck	
D548,966	S	8/2007	Aliberti et al.	
D560,450	S *	1/2008	Tagliati	D3/287
D575,059	S *	8/2008	Cappiello	D3/283
D620,708	S	8/2010	Sanz	
D625,102	S	10/2010	Jacobs	
D671,317	S	11/2012	Sabounjian	
D680,739	S	4/2013	Hock	
D681,329	S	5/2013	Hock	
D698,150	S	1/2014	Sabounjian	
D727,017	S	4/2015	Aberg et al.	
9,004,760	B2	4/2015	Tzortzis	
D732,824	S	6/2015	Tzortzis	
9,259,066	B2	2/2016	Pratt	
D754,440	S	4/2016	Ford	
D757,432	S	5/2016	Hansen	
D758,075	S	6/2016	Quarry et al.	
9,392,855	B2	7/2016	Taylor	
D782,820	S	4/2017	Thompson	
D808,225	S	1/2018	Seiders et al.	
10,271,626	B1	4/2019	Anderson	
D853,115	S	7/2019	Seiders et al.	
10,433,624	B2	10/2019	Amago	
D871,162	S	12/2019	Jacobsen	
D891,780	S *	8/2020	Hedrick	D3/318
D891,781	S *	8/2020	Hedrick	D3/318
D895,284	S *	9/2020	Sun	D3/287
D915,768	S *	4/2021	Lin	D3/283
D937,576	S *	12/2021	Thibadeau	D3/217
D940,455	S *	1/2022	Ulfers	D3/285
2004/0149600	A1	8/2004	Wolter et al.	
2012/0267365	A1	10/2012	Sabounjian	
2013/0188892	A1	7/2013	Bevier	
2013/0322786	A1	12/2013	Nassanian	
2015/0083537	A1	3/2015	Ranly	
2017/0020250	A1	1/2017	Boschan	
2018/0098607	A1	4/2018	Seiders et al.	
2018/0279733	A1	10/2018	Young et al.	
2019/0022262	A1	1/2019	Andrews et al.	
2019/0239609	A1	8/2019	Lee	

FOREIGN PATENT DOCUMENTS

CN	303830711	9/2016
CN	304181898	6/2017

CN	304790697	8/2018
CN	304808664	9/2018
CN	304896054	11/2018
CN	304896055	11/2018
CN	305495244	12/2019
CN	305584033	2/2020
DE	8535946	U1 2/1986
DE	202019104959	U1 12/2019
EM	000281365-0013	3/2005
EM	001566639-0010	9/2009
EM	002309591-0001	12/2013
EM	002309591-0002	12/2013
EM	002309591-0003	12/2013
EM	002309591-0004	12/2013
EM	002309591-0005	12/2013
EM	002872192-0010	2/2016
EM	003359199-0002	9/2016
EM	002942987-0004	3/2017
EM	002942987-0005	3/2017
EM	005824794-0001	11/2018
EM	006619219-0001	7/2019
EM	006619219-0002	7/2019
EM	006700647-0002	8/2019
EM	007145461-0012	11/2019
EM	008579163-0001	* 6/2021
EM	008582746-0011	* 6/2021
GB	2230941	B 3/1991
GB	2472395	B 4/2013
HU	89555-0001	6/2003
JP	D1176604	6/2003
JP	D1441795	5/2012
KR	300687326.0000	4/2013
KR	101371564	B1 3/2014
KR	300899220.0000	3/2017
WO	D039724-011	6/1997

OTHER PUBLICATIONS

Herschel Supply Co—Sutton Herringbone Canvas Duffle Bag—Green, unknown first available date, clothbase.com [online], [site visited Nov. 4, 2021], Available at internet URL: https://clothbase.com/items/5d5ddcda_herschel-supply-co-sutton-herringbone-canvas-duffle-bag-green_herschel-supply-co (Year: 2021).*

YETI Crossroads Duffels video, YouTube user YETI, video posted Apr. 8, 2021, youtube.com [online], [site visited Nov. 4, 2021], Available at URL: <https://www.youtube.com/watch?v=XgYOIF2IHFU> (Year: 2021).*

YETI Crossroads Duffels video, YouTube user YETI, video posted Apr. 8, 2021, youtube.com[online], [site visited Nov. 4, 2021], Available at URL: <https://www.youtube.com/watch?v=XgYOIF2IHFU> (Year:2021).

* cited by examiner

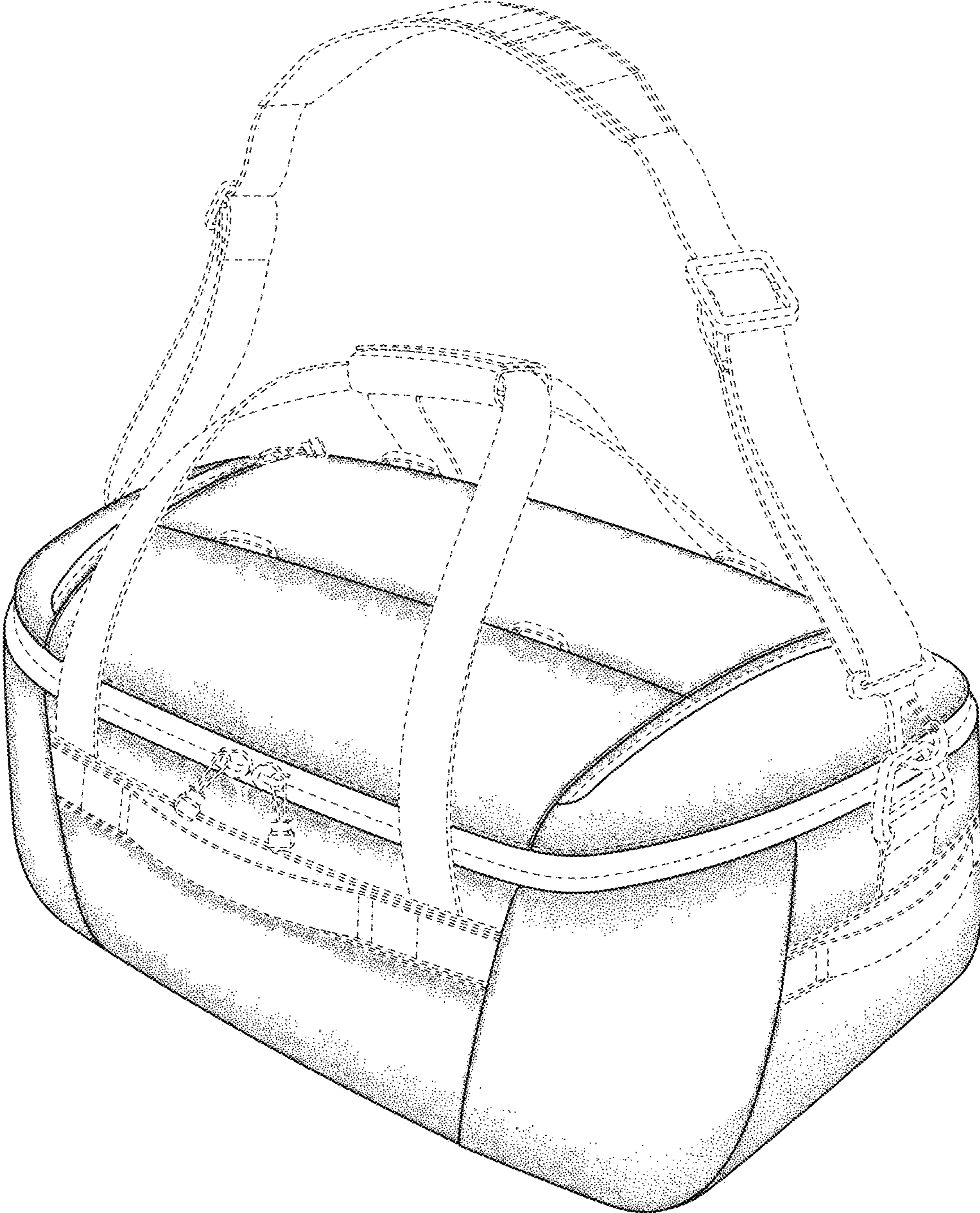


FIG. 1

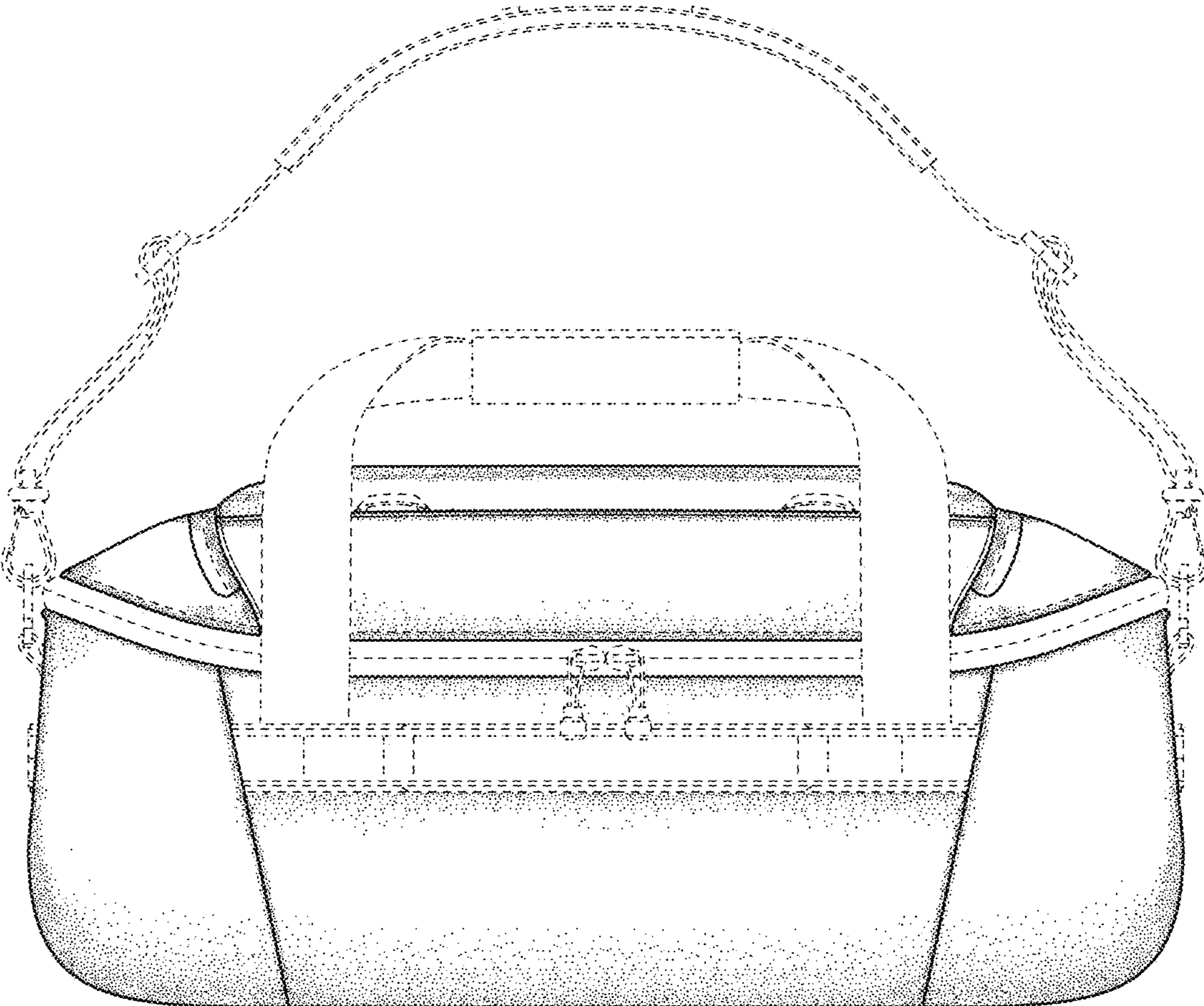


FIG. 2

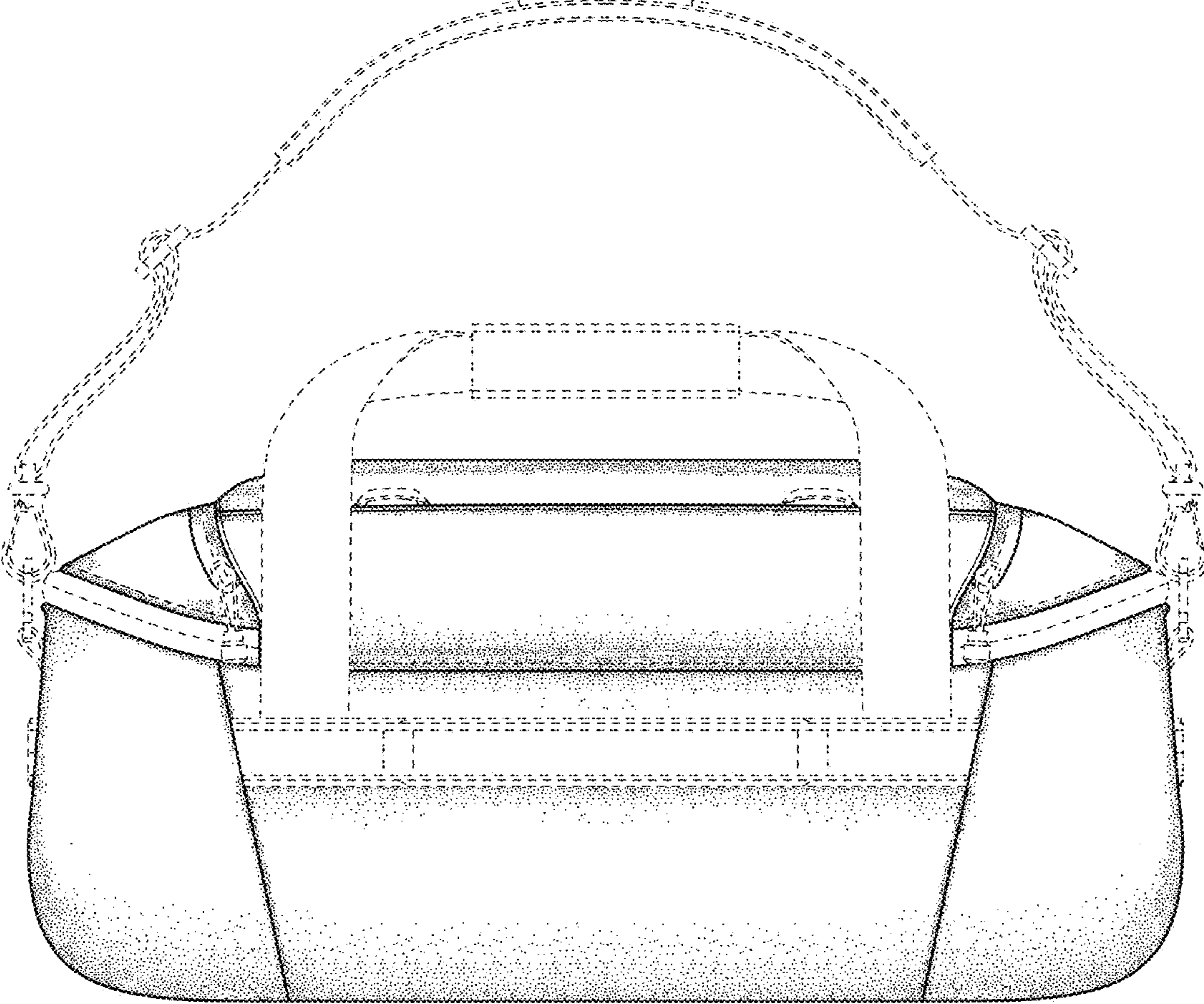


FIG. 3

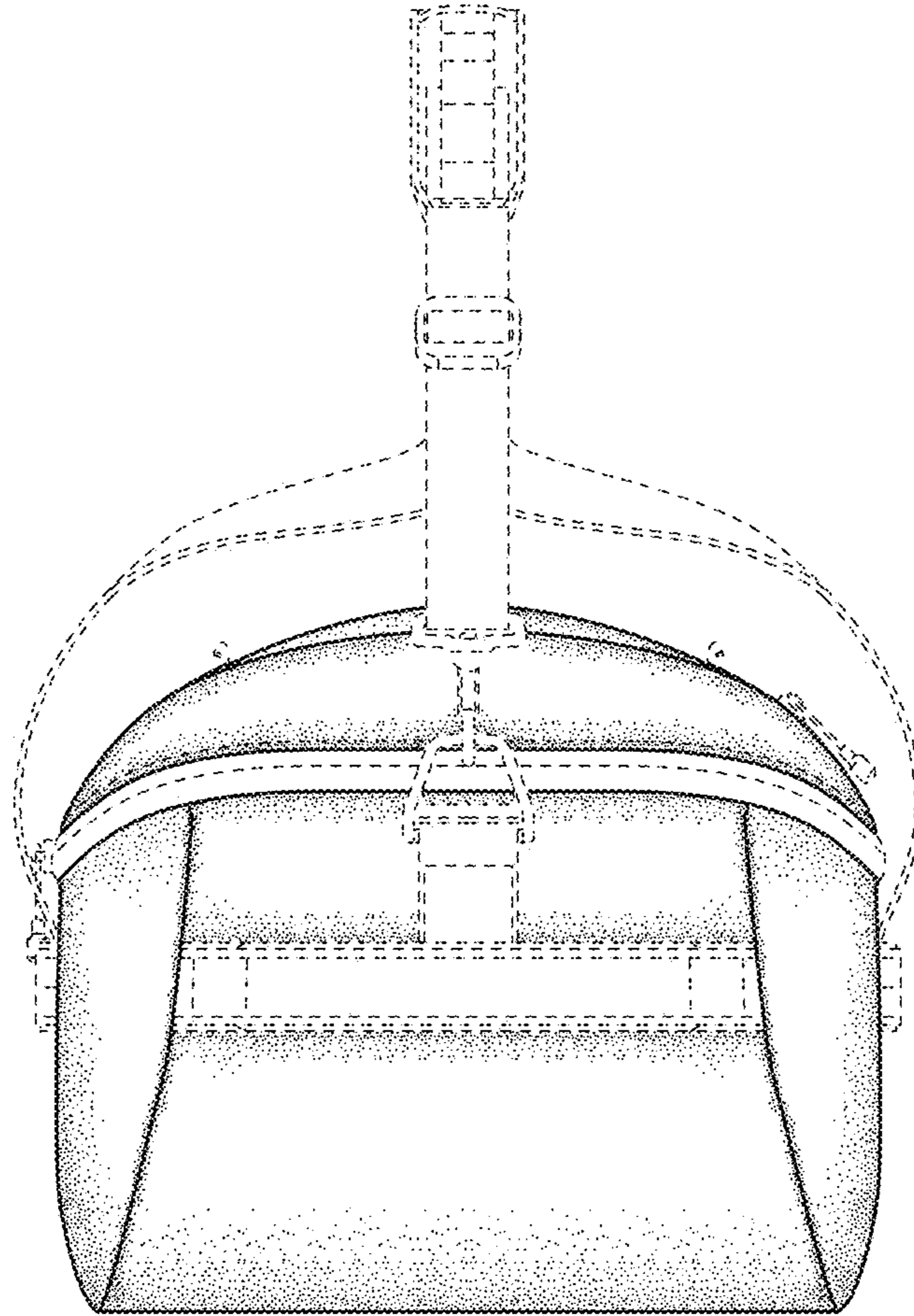


FIG. 4

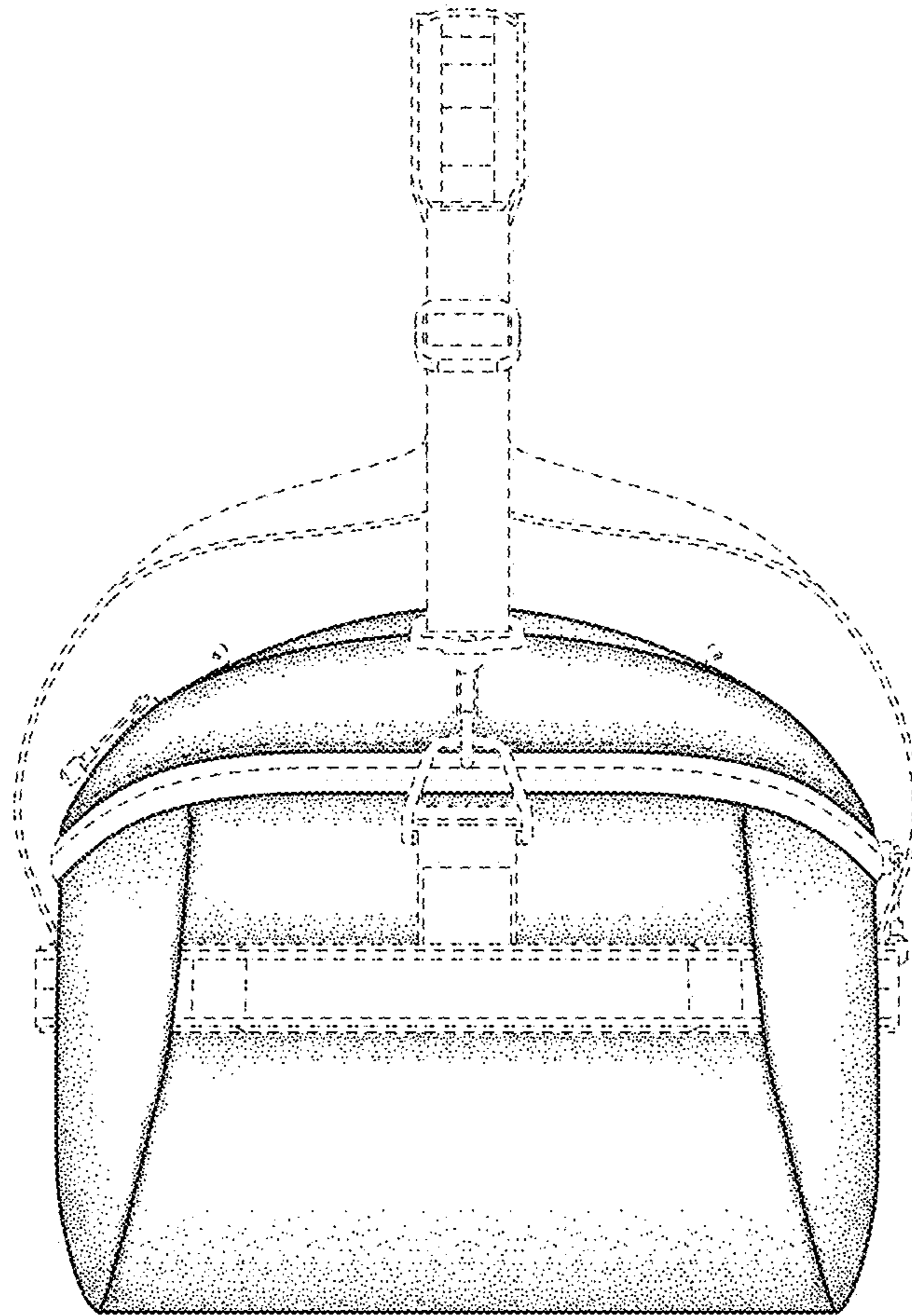


FIG. 5

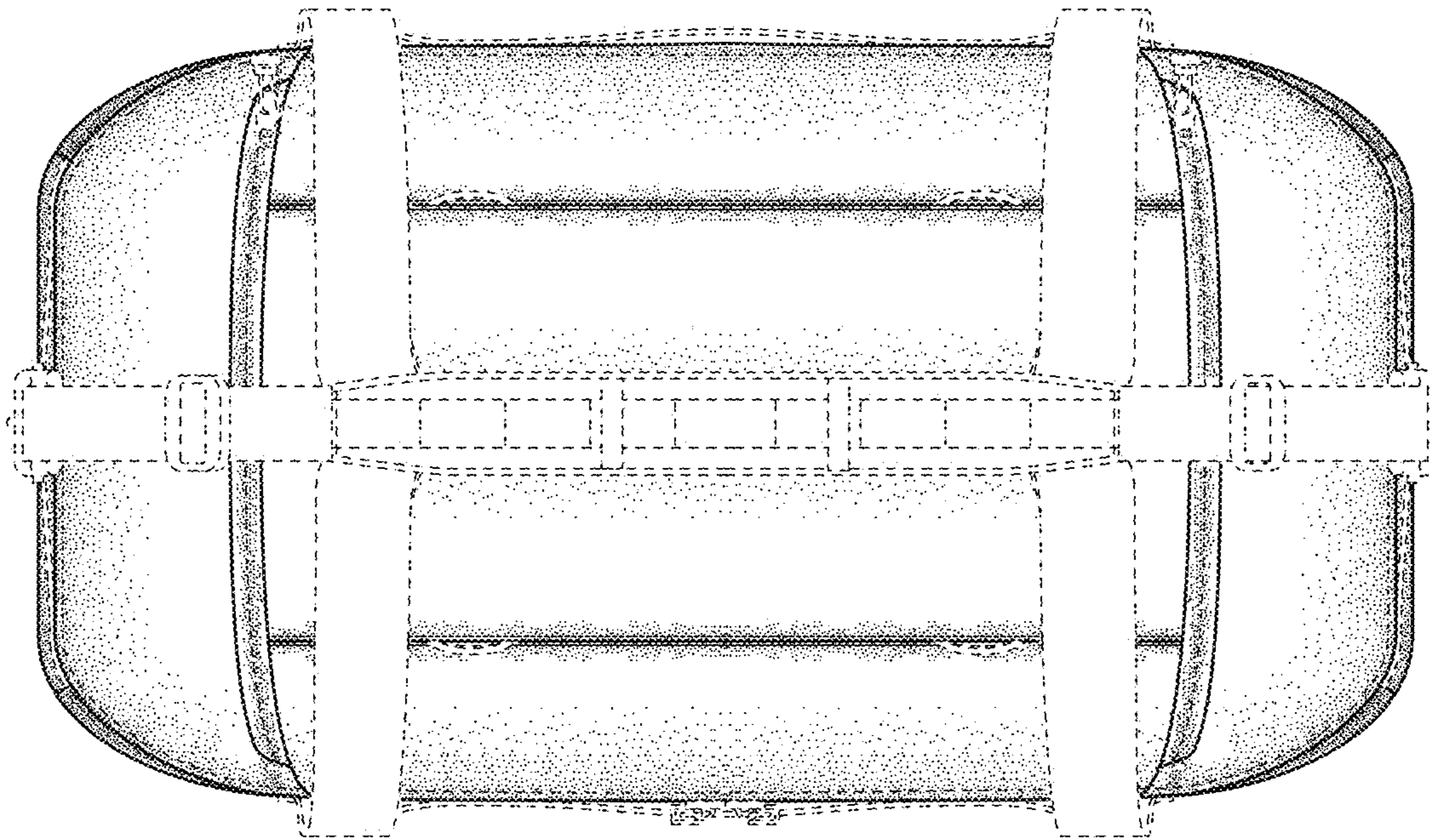


FIG. 6

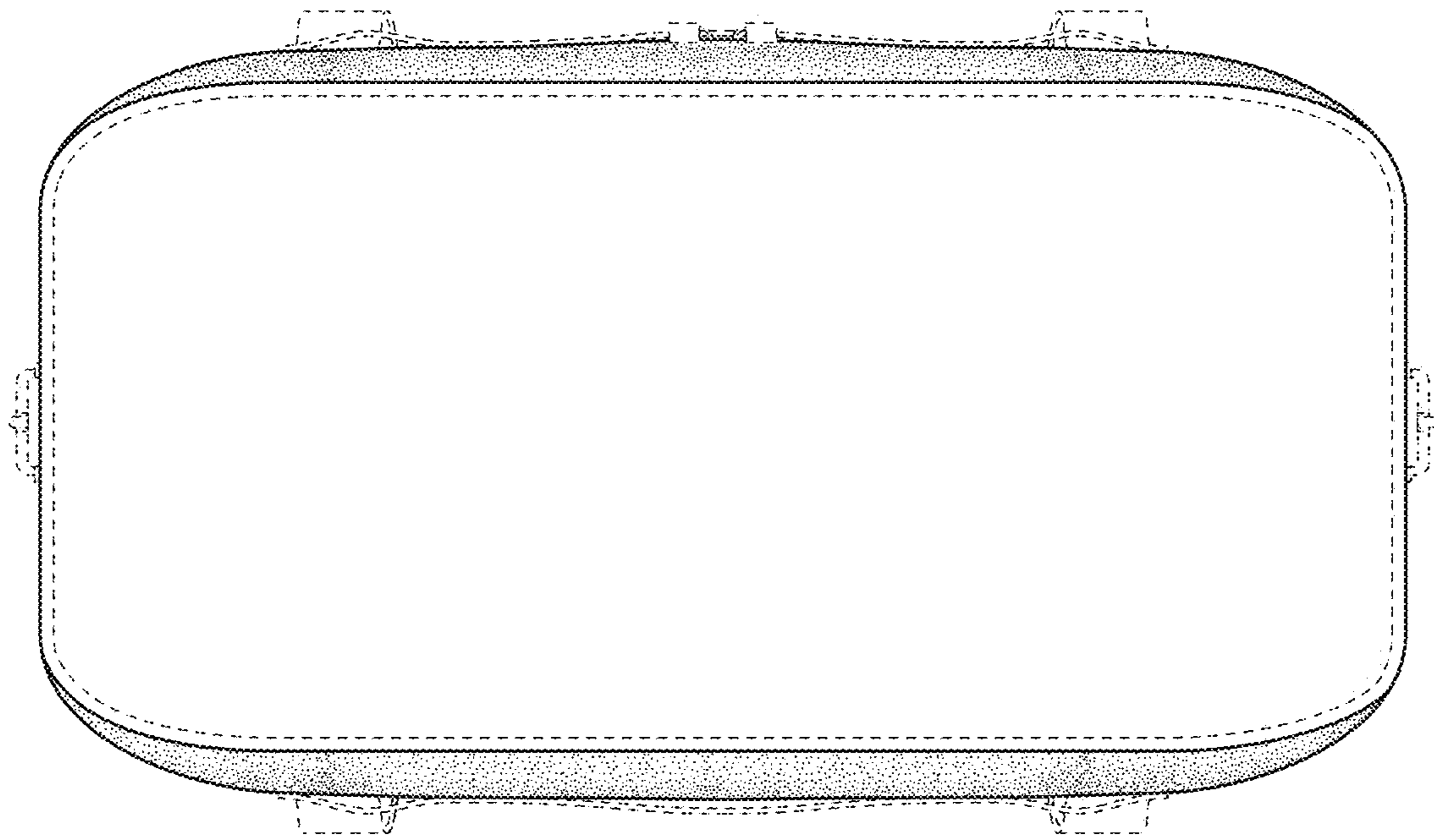


FIG. 7