



US00D955746S

(12) **United States Design Patent**
Desroches et al.

(10) **Patent No.:** **US D955,746 S**
(45) **Date of Patent:** **** Jun. 28, 2022**

(54) **DUFFEL BAG**

(71) Applicant: **YETI Coolers, LLC**, Austin, TX (US)

(72) Inventors: **Donald Edward Desroches**, Austin, TX (US); **John W. Dow**, Austin, TX (US); **Calvin Tabor**, Austin, TX (US)

(73) Assignee: **YETI Coolers, LLC**, Austin, TX (US)

(**) Term: **15 Years**

(21) Appl. No.: **29/762,930**

(22) Filed: **Dec. 18, 2020**

(51) **LOC (13) Cl.** **03-01**

(52) **U.S. Cl.**
USPC **D3/289**

(58) **Field of Classification Search**
USPC D3/203.1–203.2, 203.5–203.6, 206, 254,
D3/263, 267–268, 272–273, 276, 279,
(Continued)

(56) **References Cited**

U.S. PATENT DOCUMENTS

4,488,624 A 12/1984 Myers
D281,646 S 12/1985 Bomes et al.
(Continued)

FOREIGN PATENT DOCUMENTS

CN 301754536 12/2011
CN 302769599 3/2014
(Continued)

OTHER PUBLICATIONS

Mountain Classic Cordura Duffel Medium, unknown first available date, llbean.com [online], [site visited Nov. 4, 2021], Available at URL: <https://www.llbean.com/llb/shop/121980?page=cordura-duffle-medium&bc=50-516673&feat=516673-GN1&csp=f&pos=6> (Year: 2021).*

(Continued)

Primary Examiner — Jeffrey D Asch
Assistant Examiner — Caitlin A Lavery

(74) *Attorney, Agent, or Firm* — Banner & Witcoff, Ltd.

(57) **CLAIM**

The ornamental design for a duffel bag, as shown and described.

DESCRIPTION

FIG. 1 is a front perspective view of a duffel bag showing our new design;

FIG. 2 is a front view thereof;

FIG. 3 is a rear view thereof;

FIG. 4 is a right side view thereof;

FIG. 5 is a left side view thereof;

FIG. 6 is a top view thereof;

FIG. 7 is a bottom view thereof;

FIG. 8 is a front perspective view of the duffel bag of FIGS. 1-7 shown with the long strap removed and short handles in a downward configuration;

FIG. 9 is a front view thereof;

FIG. 10 is a rear view thereof;

FIG. 11 is a right side view thereof;

FIG. 12 is a left side view thereof;

FIG. 13 is a top view thereof;

FIG. 14 is a bottom view thereof;

FIG. 15 is a front perspective view the duffel bag of FIGS. 8-14 shown in an open configuration with the short handles in an upward configuration;

FIG. 16 is a front view thereof;

FIG. 17 is a rear view thereof;

FIG. 18 is a right side view thereof;

FIG. 19 is a left side view thereof;

FIG. 20 is a top view thereof;

FIG. 21 is a bottom view thereof;

FIG. 22 is a front perspective view of the duffel bag of FIGS. 8-14 shown in an open configuration with the short handles in a downward configuration;

FIG. 23 is a front view thereof;

FIG. 24 is a rear view thereof;

FIG. 25 is a right side view thereof;

FIG. 26 is a left side view thereof;

FIG. 27 is a top view thereof; and,

(Continued)

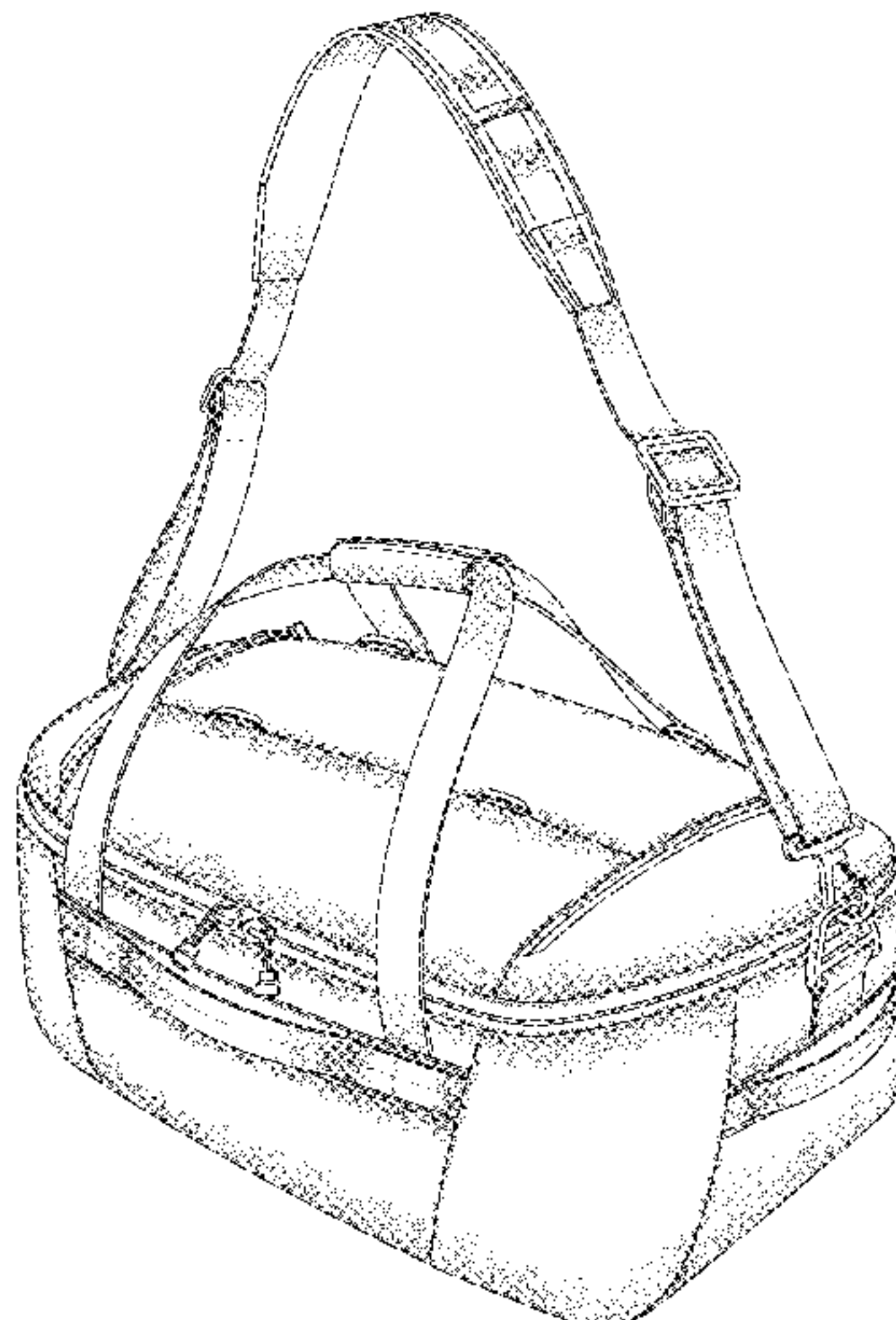


FIG. 28 is a bottom view thereof. Each set of seven consecutive figures shows the single design in a different position for use. The broken lines showing stitching and the centerline of zippers forms no part of the claimed design.

1 Claim, 25 Drawing Sheets

(58) **Field of Classification Search**

USPC D3/281–290, 294, 299, 301, 303, D3/318–319, 321, 327, 902
 CPC .. A45C 1/024; A45C 3/00; A45C 3/02; A45C 2003/007; A45C 2003/008; A45C 5/00; A45C 5/02; A45C 5/03; A45C 5/04; A45C 5/06; A45C 5/14; A45C 5/005; A45C 2005/032; A45C 2005/035; A45C 2005/037; A45C 2005/142; A45C 2005/148; A45C 7/00; A45C 7/0018; A45C 7/0036; A45C 2011/003; A45C 13/02; A45C 13/28; A45C 13/36; A45C 13/385

See application file for complete search history.

(56) **References Cited**

U.S. PATENT DOCUMENTS

D281,649	S	12/1985	Bomes et al.	
4,895,230	A	1/1990	King	
D371,907	S *	7/1996	Cyr	D3/286
6,296,165	B1	10/2001	Mears	
6,334,519	B1	1/2002	Tong	
6,508,358	B2	1/2003	Cheng	
D478,782	S	8/2003	Li	
6,742,635	B2	6/2004	Hirshberg	
6,821,019	B2	11/2004	Mogil	
7,004,363	B2	2/2006	Fenton et al.	
D518,956	S	4/2006	Van Himbeeck	
D548,966	S	8/2007	Aliberti et al.	
D560,450	S *	1/2008	Tagliati	D3/287
D575,059	S *	8/2008	Cappiello	D3/283
D620,708	S	8/2010	Sanz	
D625,102	S	10/2010	Jacobs	
D671,317	S	11/2012	Sabounjian	
D680,739	S	4/2013	Hock	
D681,329	S	5/2013	Hock	
D698,150	S	1/2014	Sabounjian	
D727,017	S	4/2015	Aberg et al.	
9,004,760	B2	4/2015	Tzortzis	
D732,824	S	6/2015	Tzortzis	
9,259,066	B2	2/2016	Pratt	
D754,440	S	4/2016	Ford	
D757,432	S	5/2016	Hansen	
D758,075	S	6/2016	Quarry et al.	
9,392,855	B2	7/2016	Taylor	
D782,820	S	4/2017	Thompson	
D808,225	S	1/2018	Seiders et al.	
10,271,626	B1	4/2019	Anderson	
D853,115	S	7/2019	Seiders et al.	
10,433,624	B2	10/2019	Amago	
D871,162	S	12/2019	Jacobsen	
D891,780	S *	8/2020	Hedrick	D3/318
D891,781	S *	8/2020	Hedrick	D3/318

D895,284	S *	9/2020	Sun	D3/287
D915,768	S *	4/2021	Lin	D3/283
D937,576	S *	12/2021	Thibadeau	D3/217
D940,455	S *	1/2022	Ulfers	D3/285
2004/0149600	A1	8/2004	Wolter et al.	
2012/0267365	A1	10/2012	Sabounjian	
2013/0188892	A1	7/2013	Bevier	
2013/0322786	A1	12/2013	Nassanian	
2015/0083537	A1	3/2015	Ranly	
2017/0020250	A1	1/2017	Boschan	
2018/0098607	A1	4/2018	Seiders et al.	
2018/0279733	A1	10/2018	Young et al.	
2019/0022262	A1	1/2019	Andrews et al.	
2019/0239609	A1	8/2019	Lee	

FOREIGN PATENT DOCUMENTS

CN	303830711	9/2016	
CN	304181898	6/2017	
CN	304790697	8/2018	
CN	304808664	9/2018	
CN	304896054	11/2018	
CN	304896055	11/2018	
CN	305495244	12/2019	
CN	305584033	2/2020	
DE	8535946	U1	2/1986
DE	202019104959	U1	12/2019
EM	000281365-0013		3/2005
EM	001566639-0010		9/2009
EM	002309591-0001		12/2013
EM	002309591-0002		12/2013
EM	002309591-0003		12/2013
EM	002309591-0004		12/2013
EM	002309591-0005		12/2013
EM	002872192-0010		2/2016
EM	003359199-0002		9/2016
EM	002942987-0004		3/2017
EM	002942987-0005		3/2017
EM	005824794-0001		11/2018
EM	006619219-0001		7/2019
EM	006619219-0002		7/2019
EM	006700647-0002		8/2019
EM	007145461-0012		11/2019
EM	008579163-0001	*	6/2021
EM	008582746-0011	*	6/2021
GB	2230941	B	3/1991
GB	2472395	B	4/2013
HU	89555-0001		6/2003
JP	D1176604		6/2003
JP	D1441795		5/2012
KR	300687326.0000		4/2013
KR	101371564	B1	3/2014
KR	300899220.0000		3/2017
WO	D039724-011		6/1997

OTHER PUBLICATIONS

Herschel Supply Co—Sutton Herringbone Canvas Duffle Bag—Green, unknown first available date, clothbase.com [online], [site visited Nov. 4, 2021], Available at internet URL: https://clothbase.com/items/5d5ddcda_herschel-supply-co-sutton-herringbone-canvas-duffle-bag-green_herschel-supply-co (Year: 2021).*

YETI Crossroads Duffels video, YouTube user YETI, video posted Apr. 8, 2021, youtube.com [online], [site visited Nov. 4, 2021], Available at URL: <https://www.youtube.com/watch?v=XgYOIF2IHFU> (Year: 2021).*

* cited by examiner

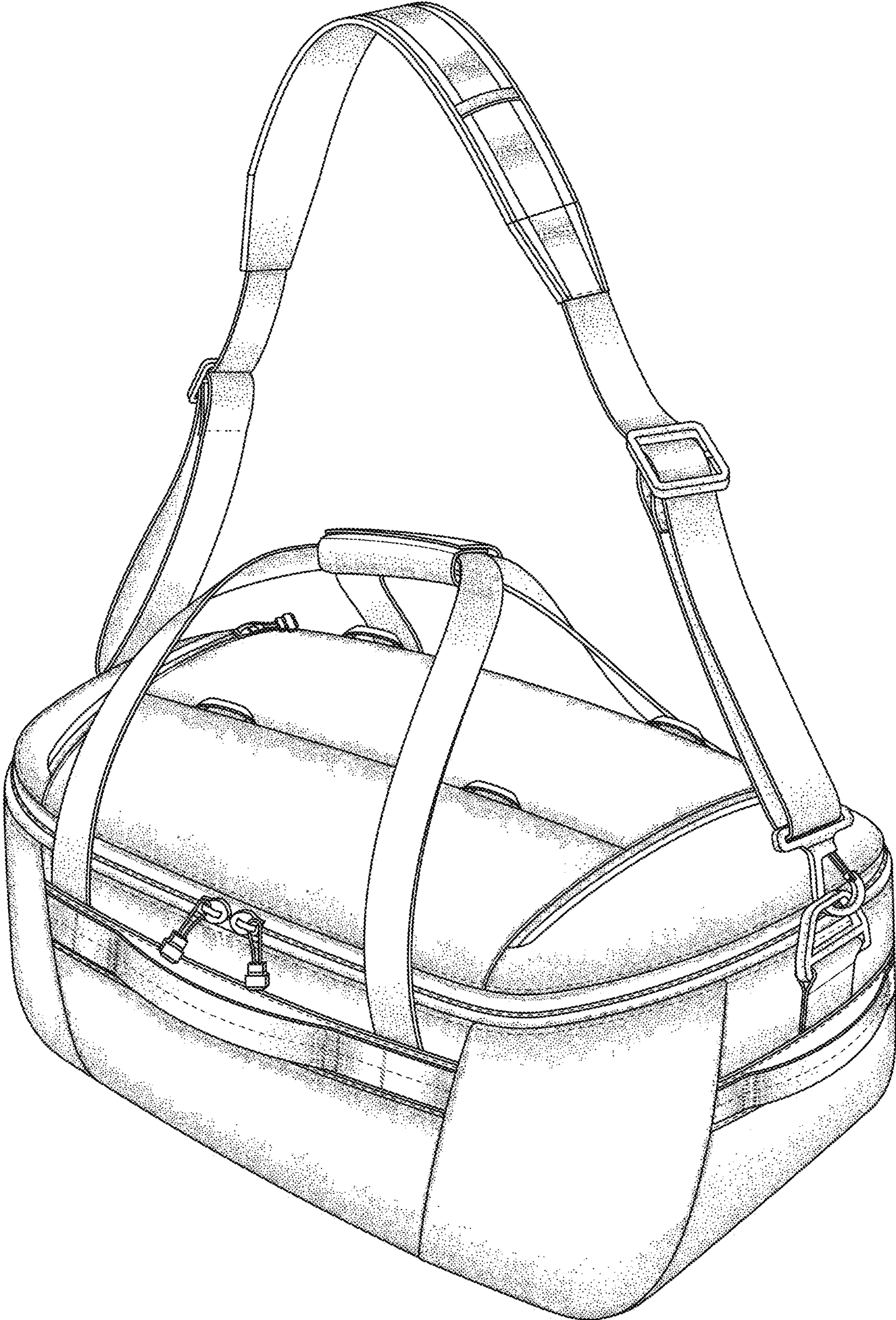


FIG. 1

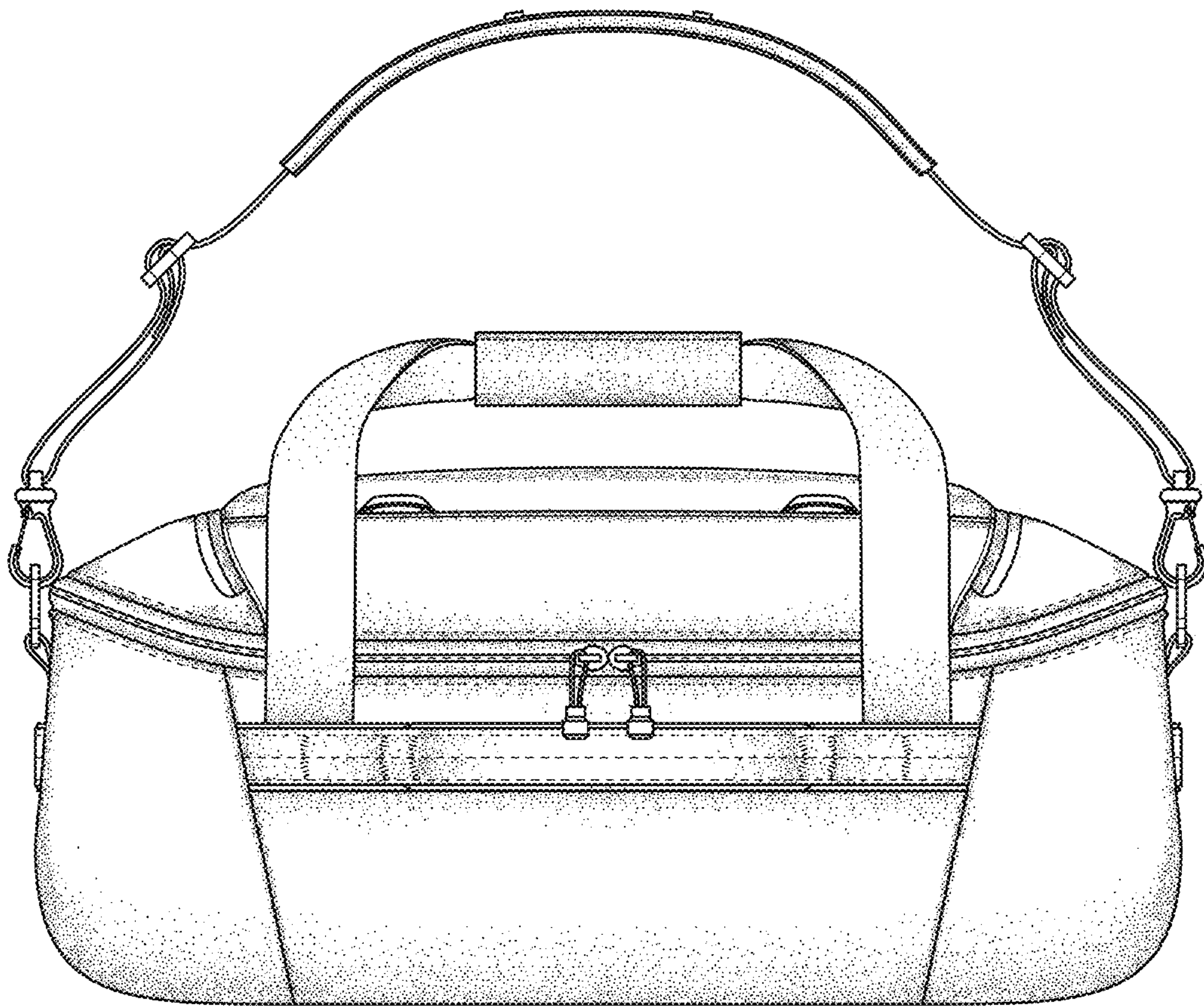


FIG. 2

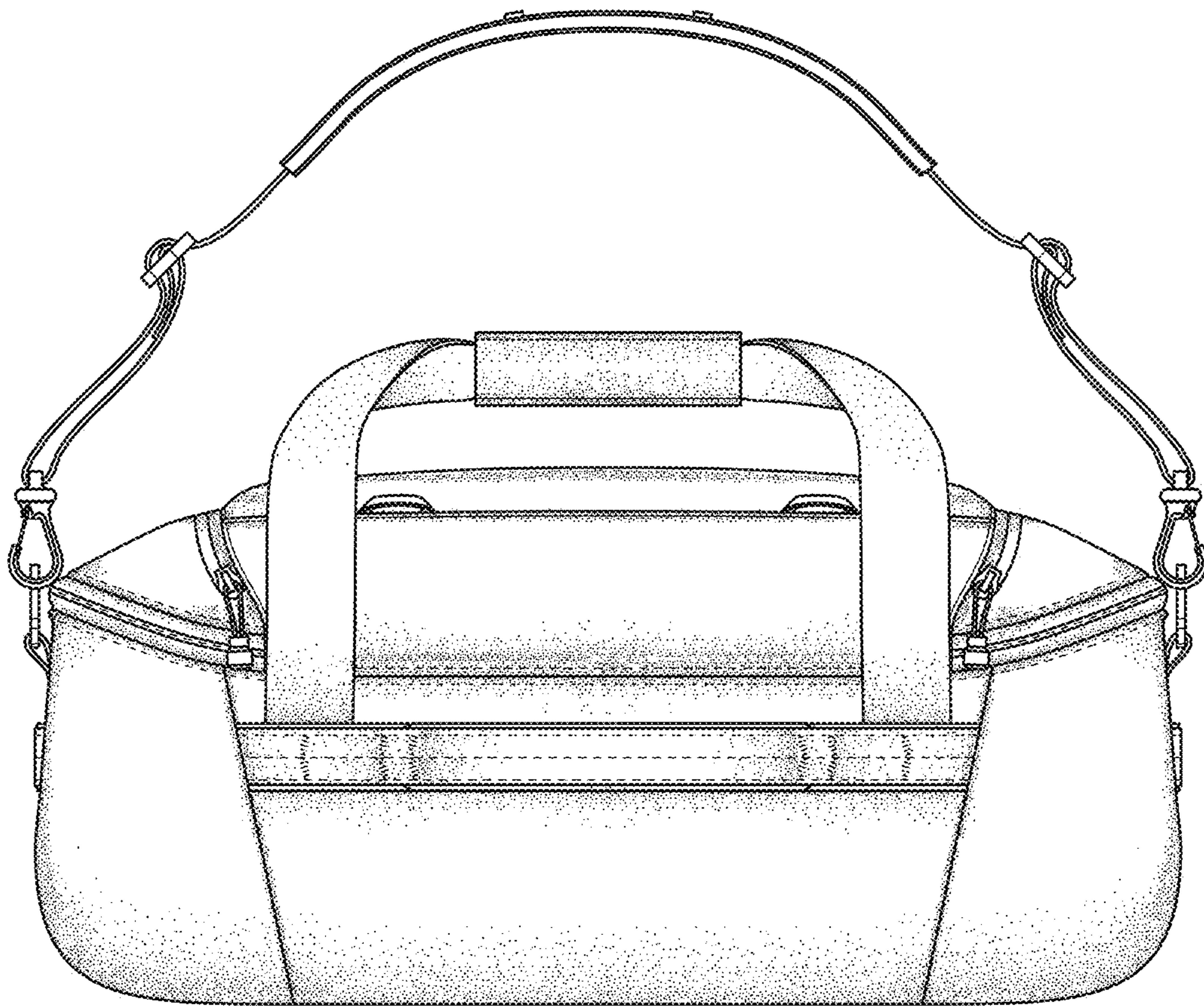


FIG. 3

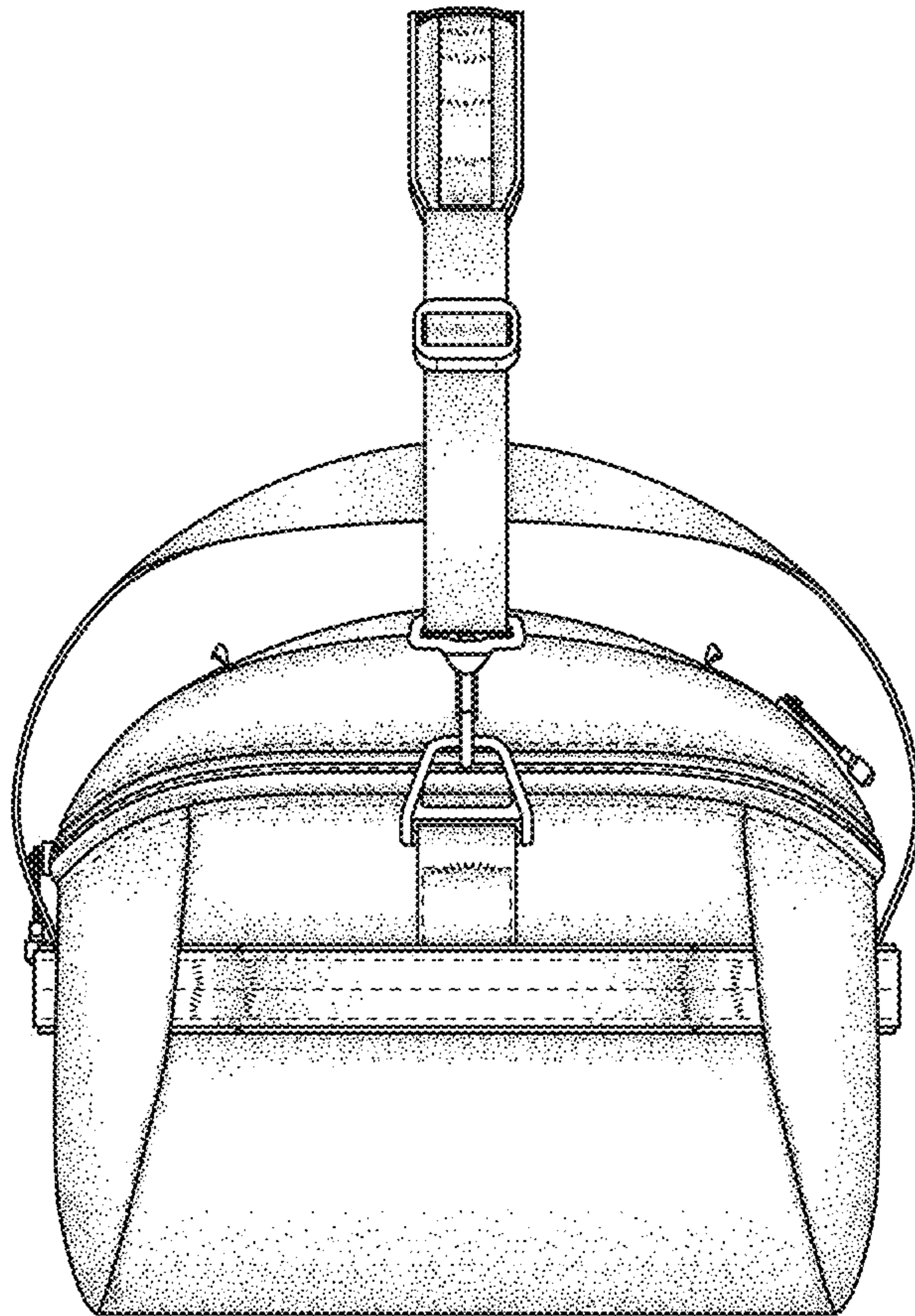


FIG. 4

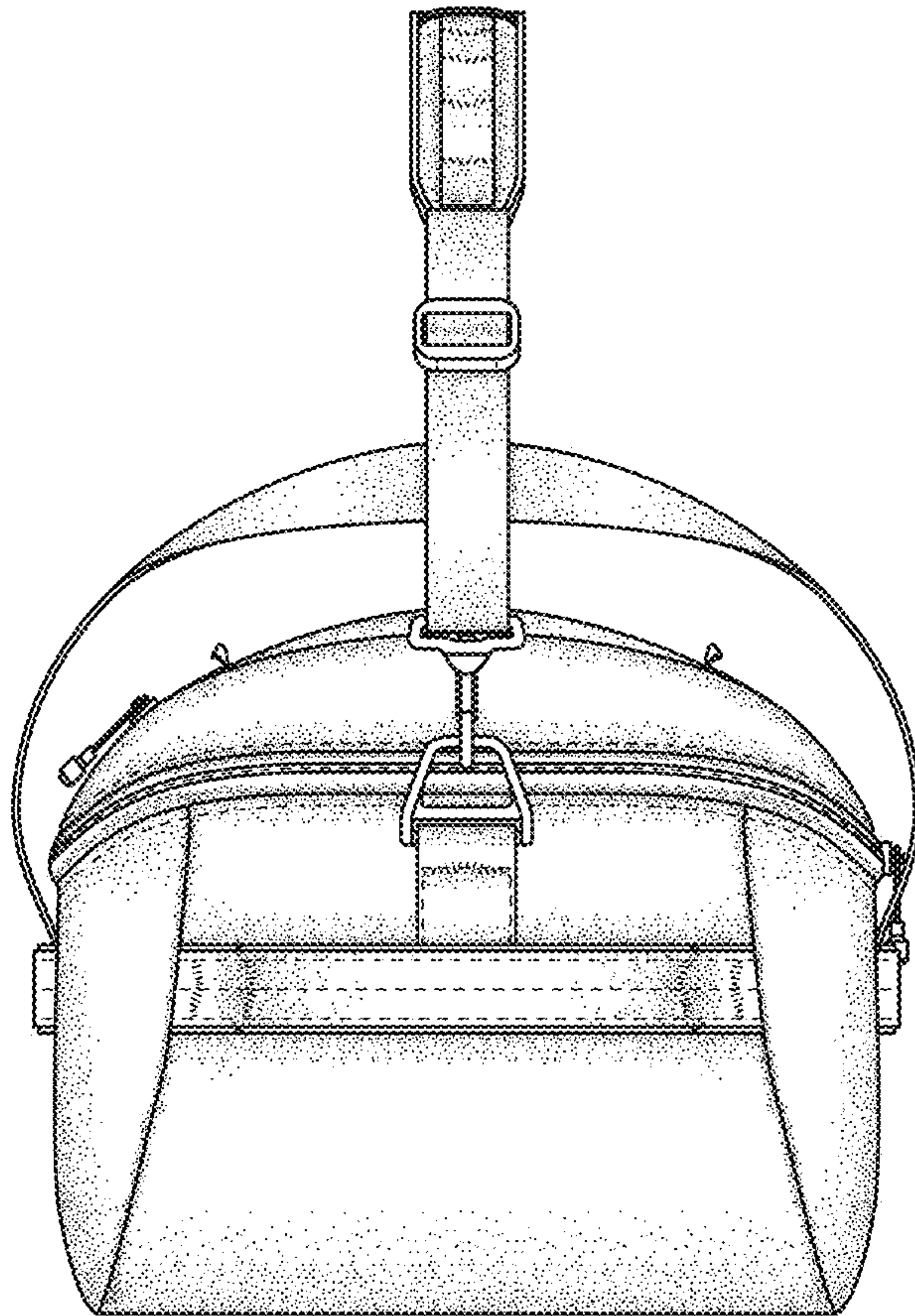


FIG. 5

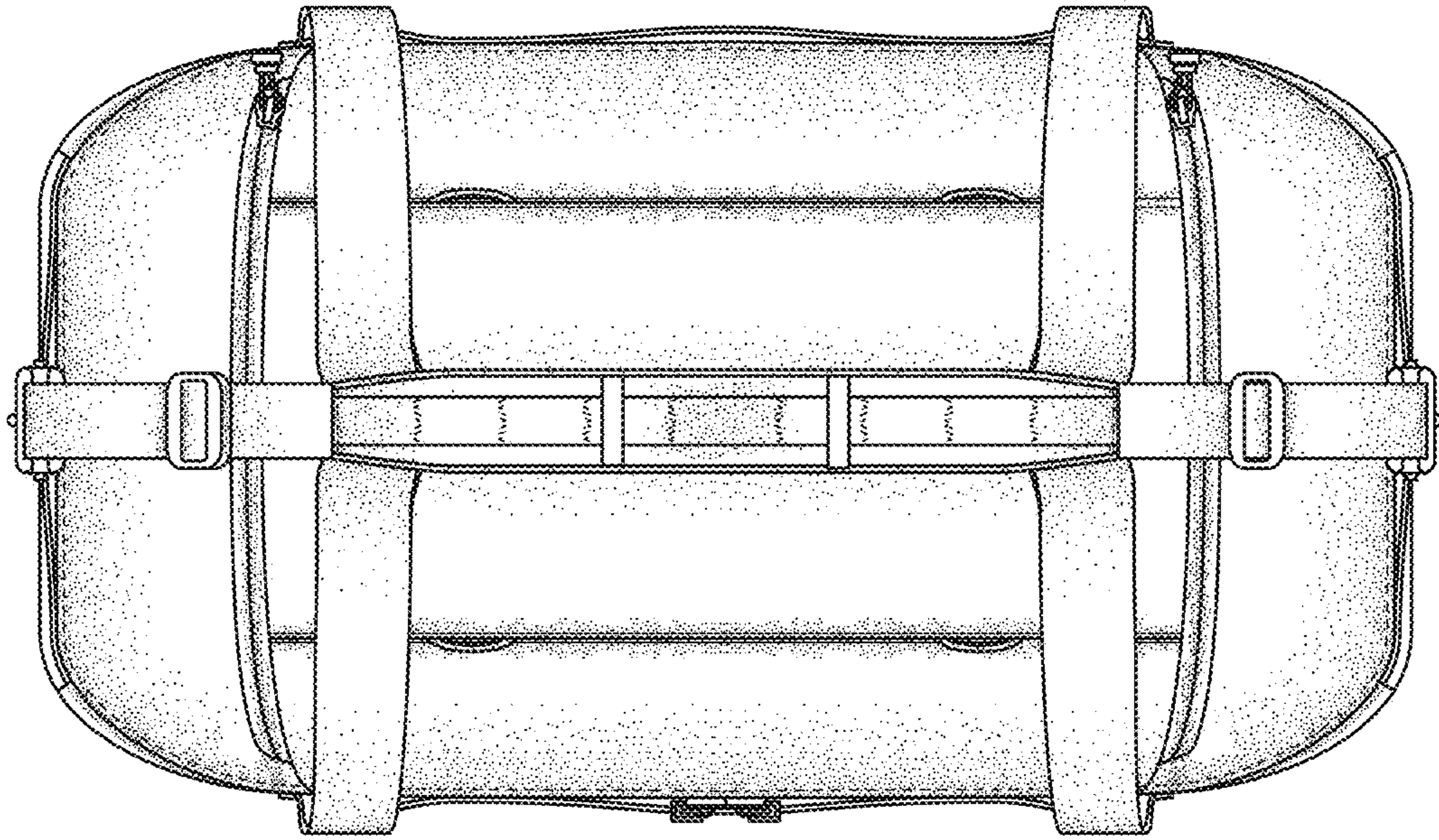


FIG. 6

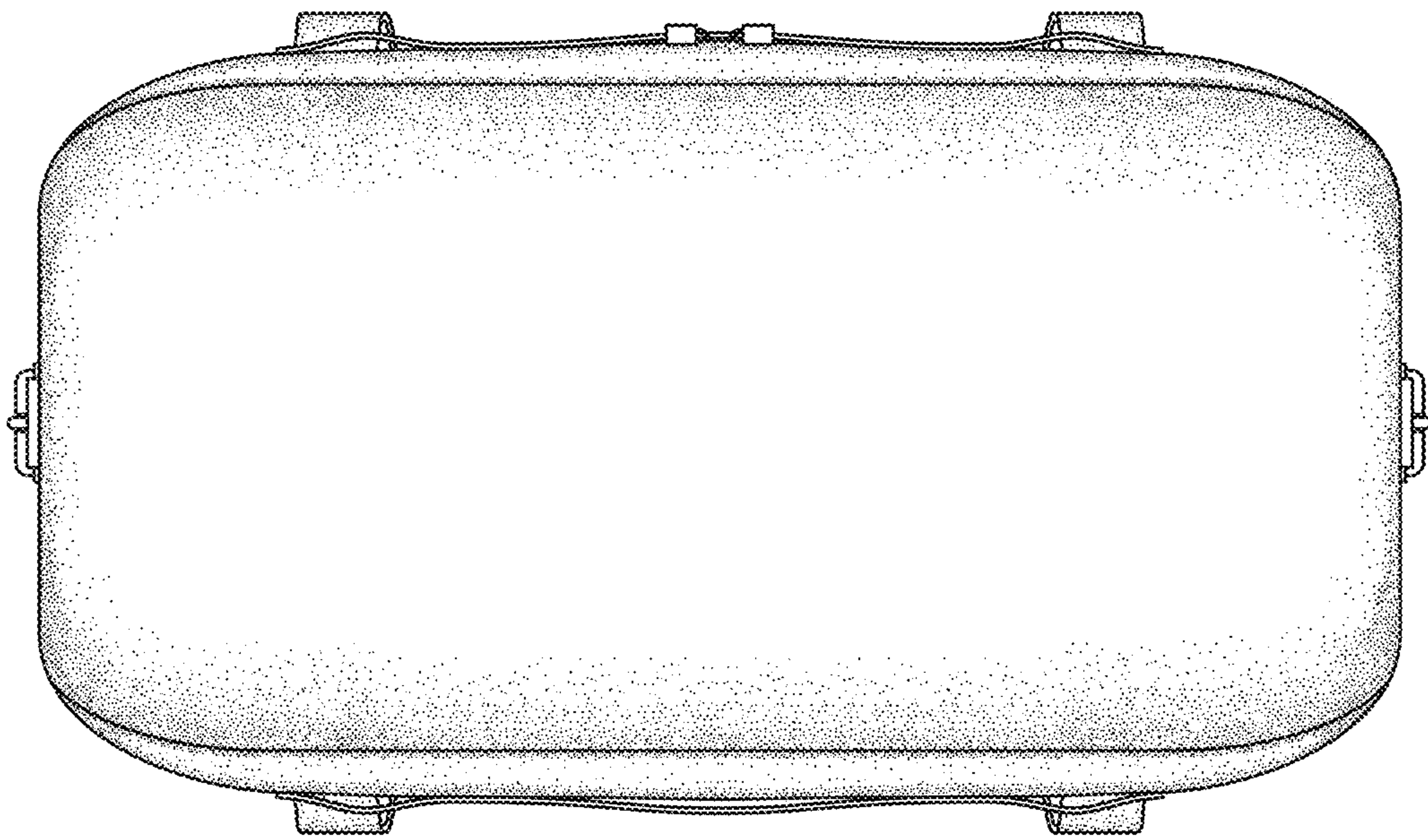


FIG. 7

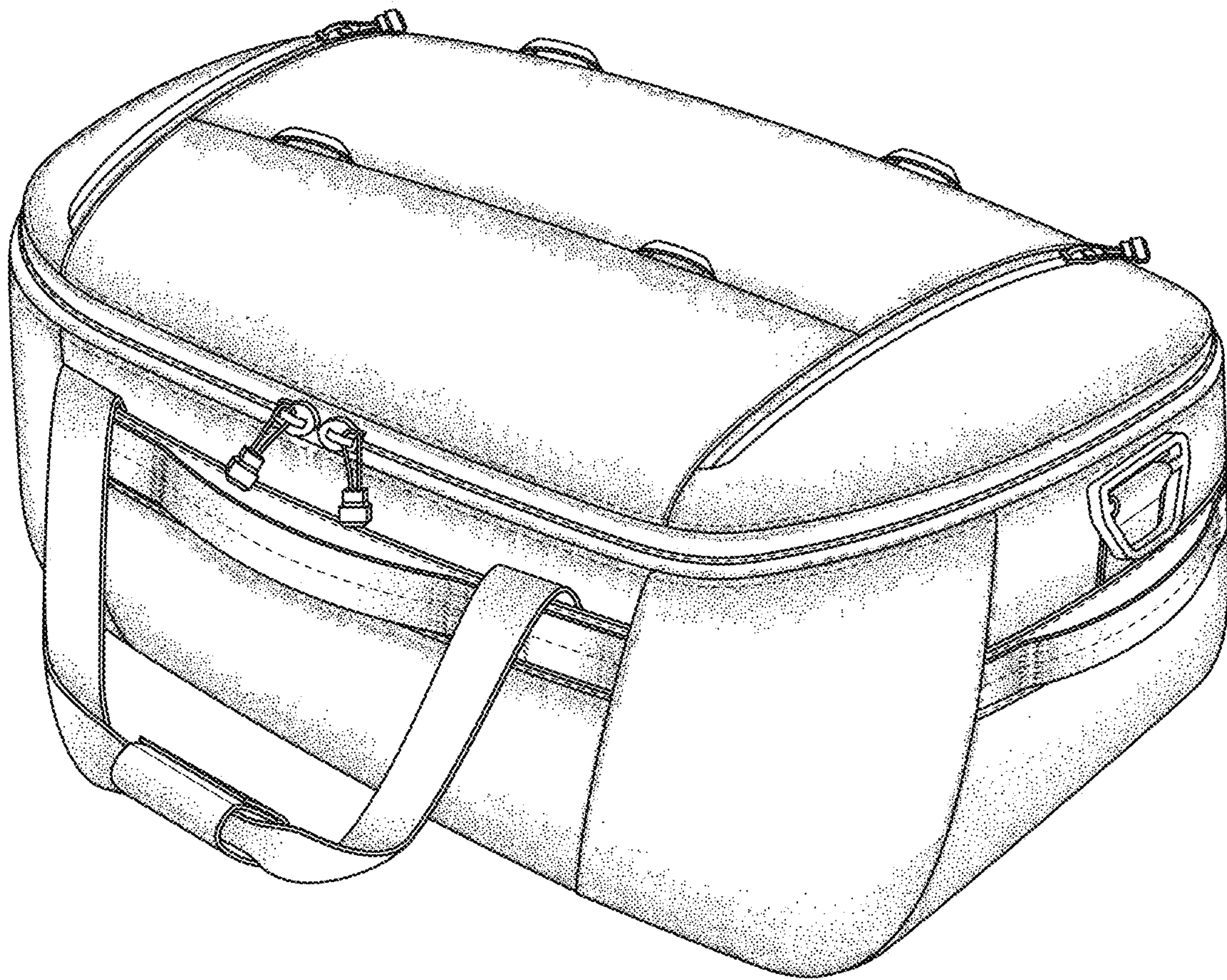


FIG. 8

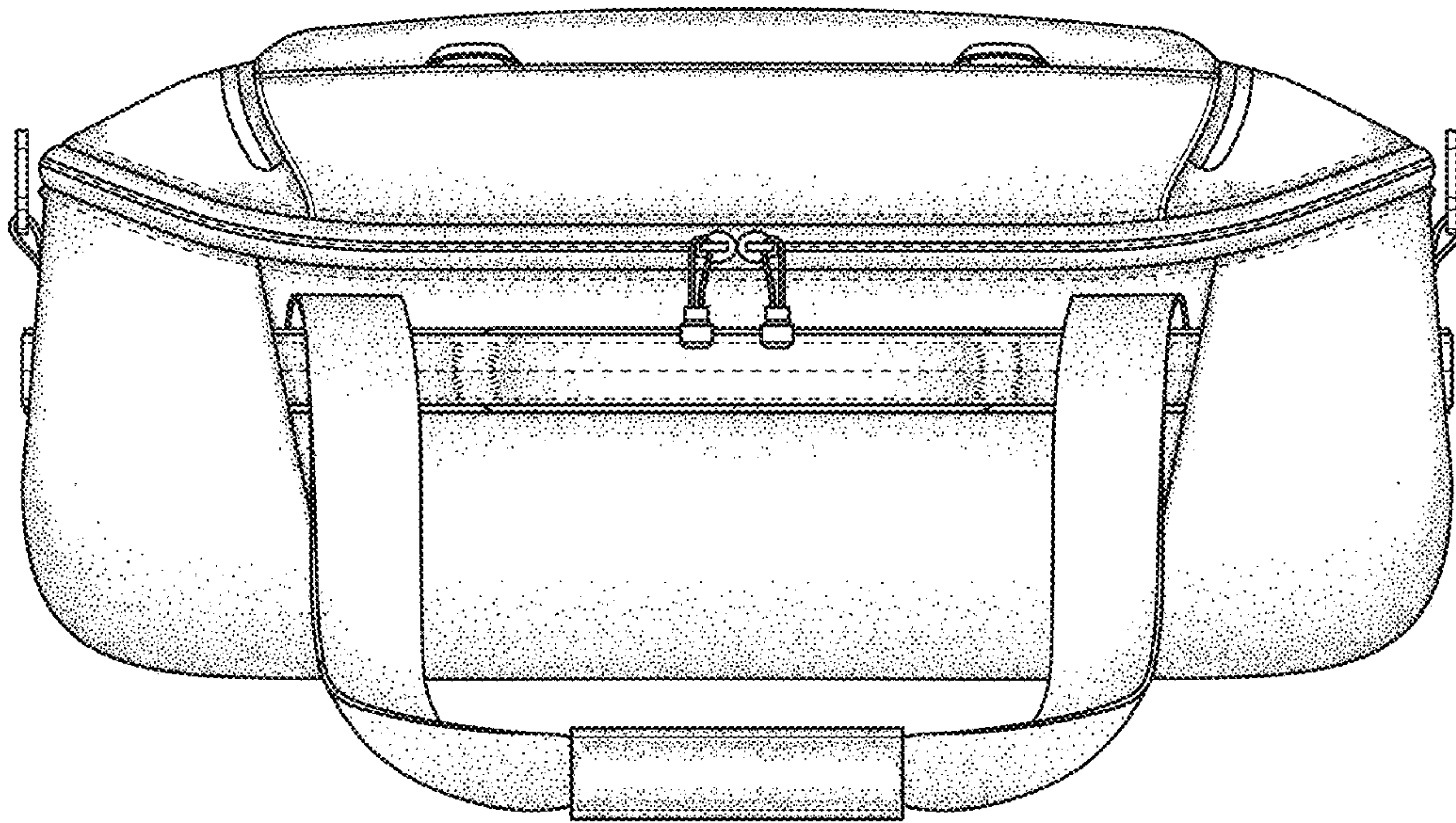


FIG. 9

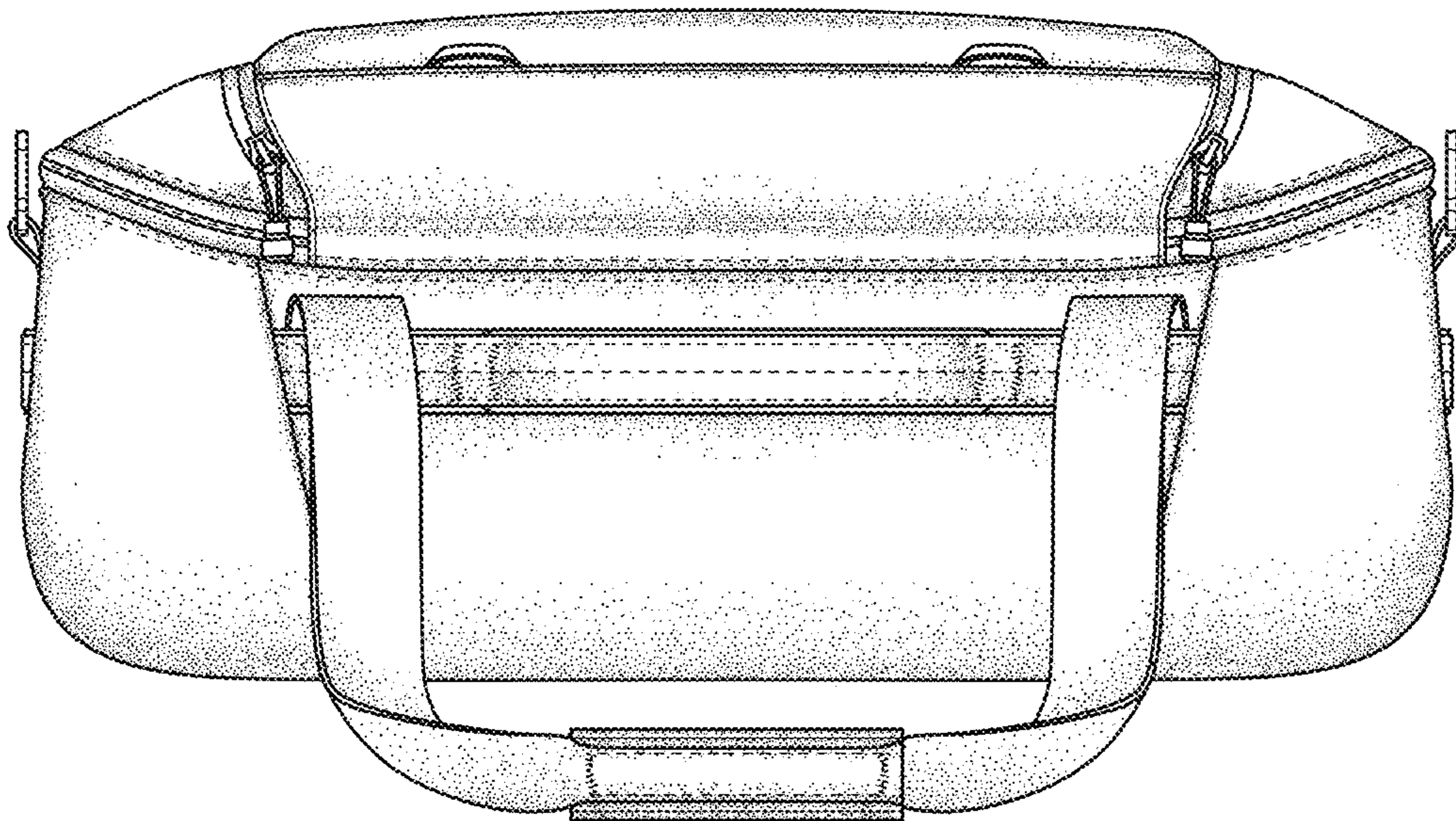


FIG. 10

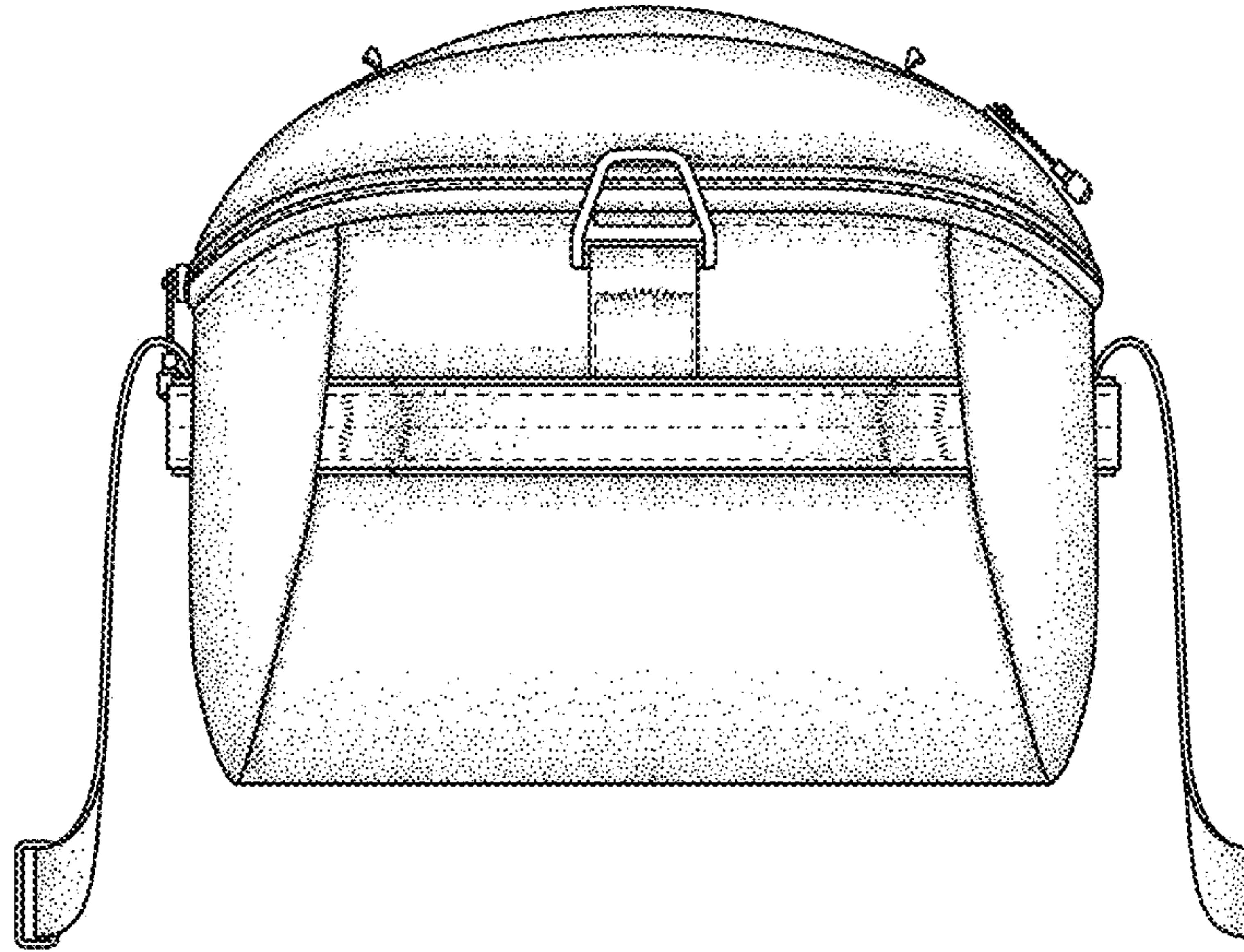


FIG. 11

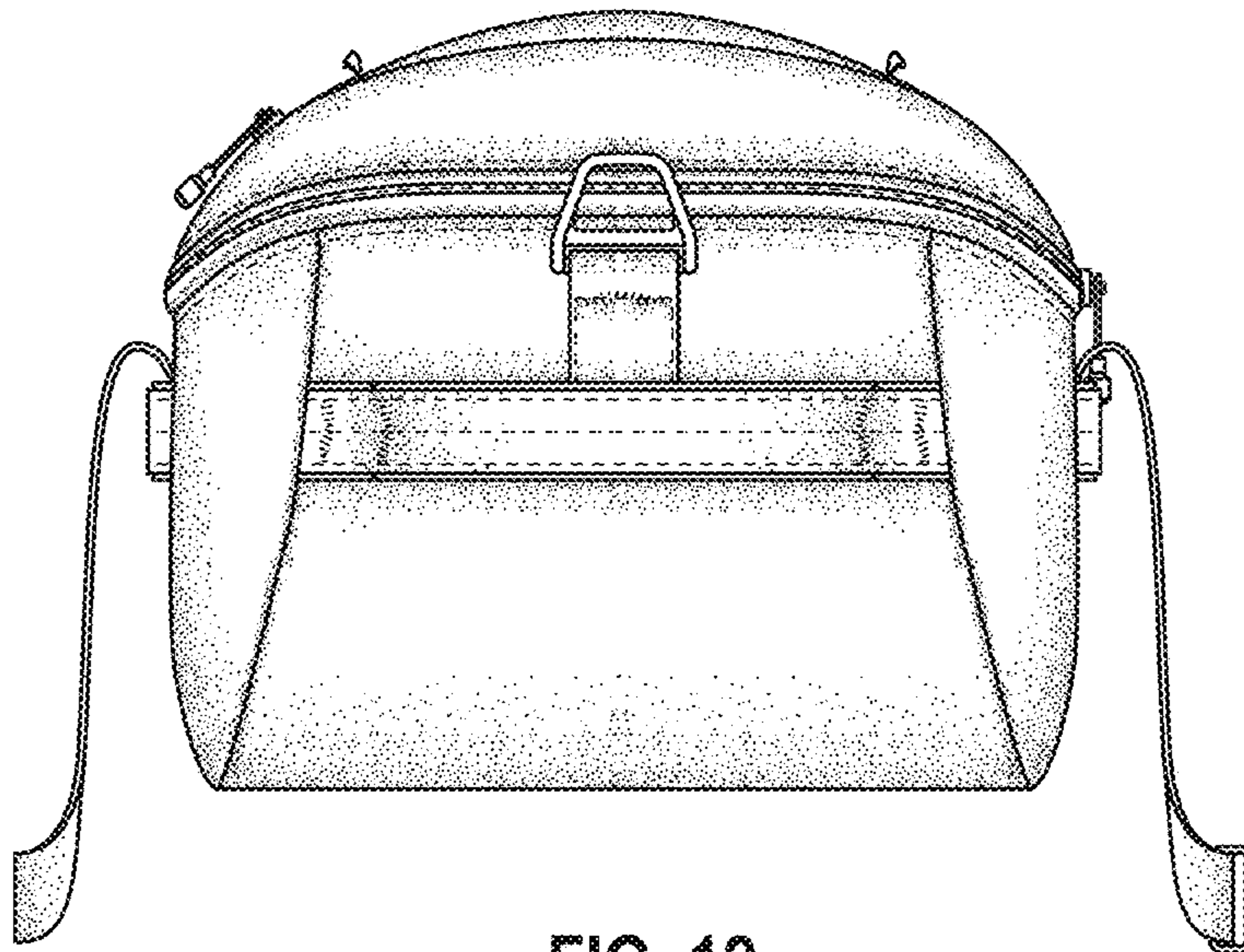


FIG. 12

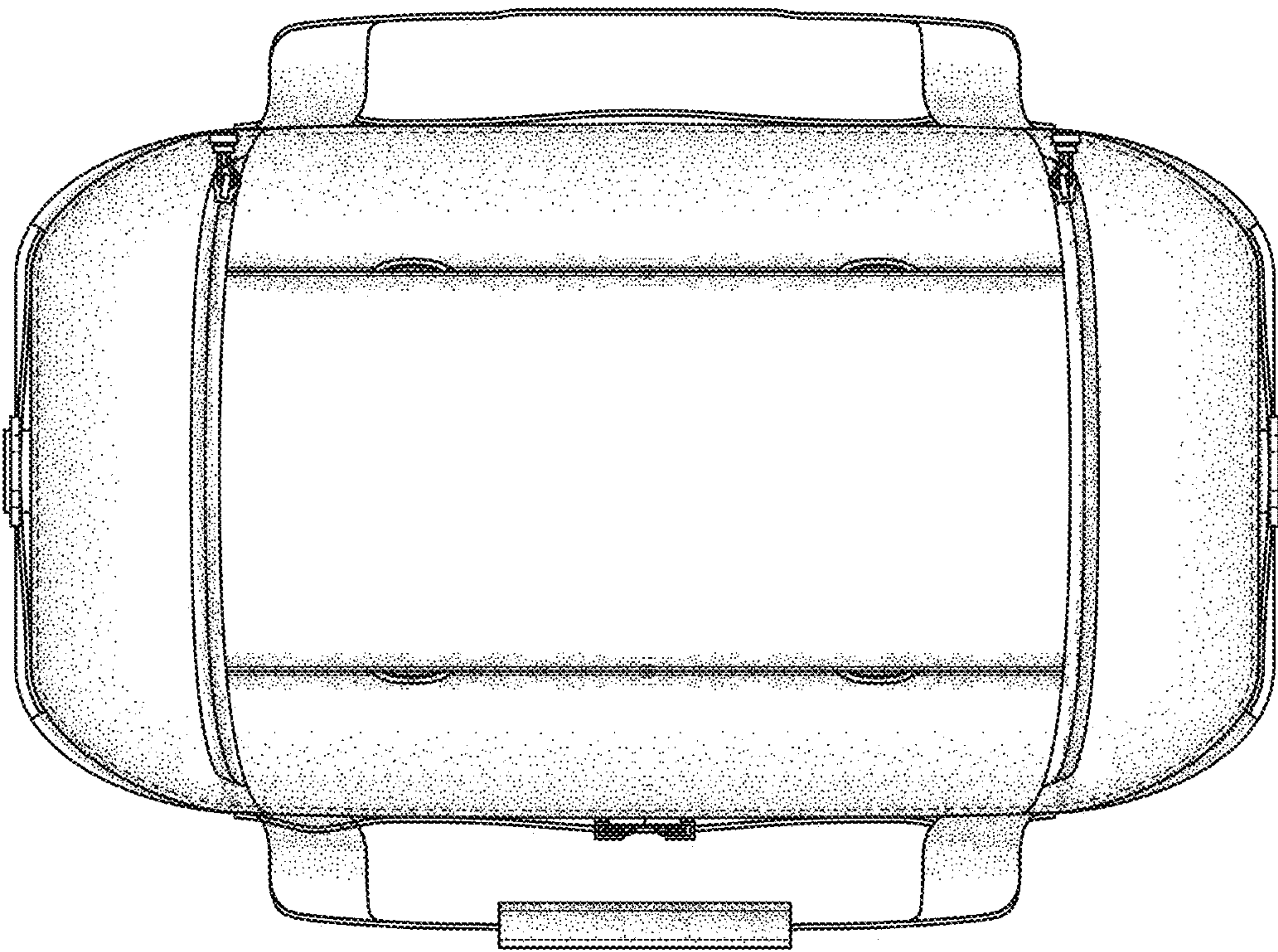


FIG. 13

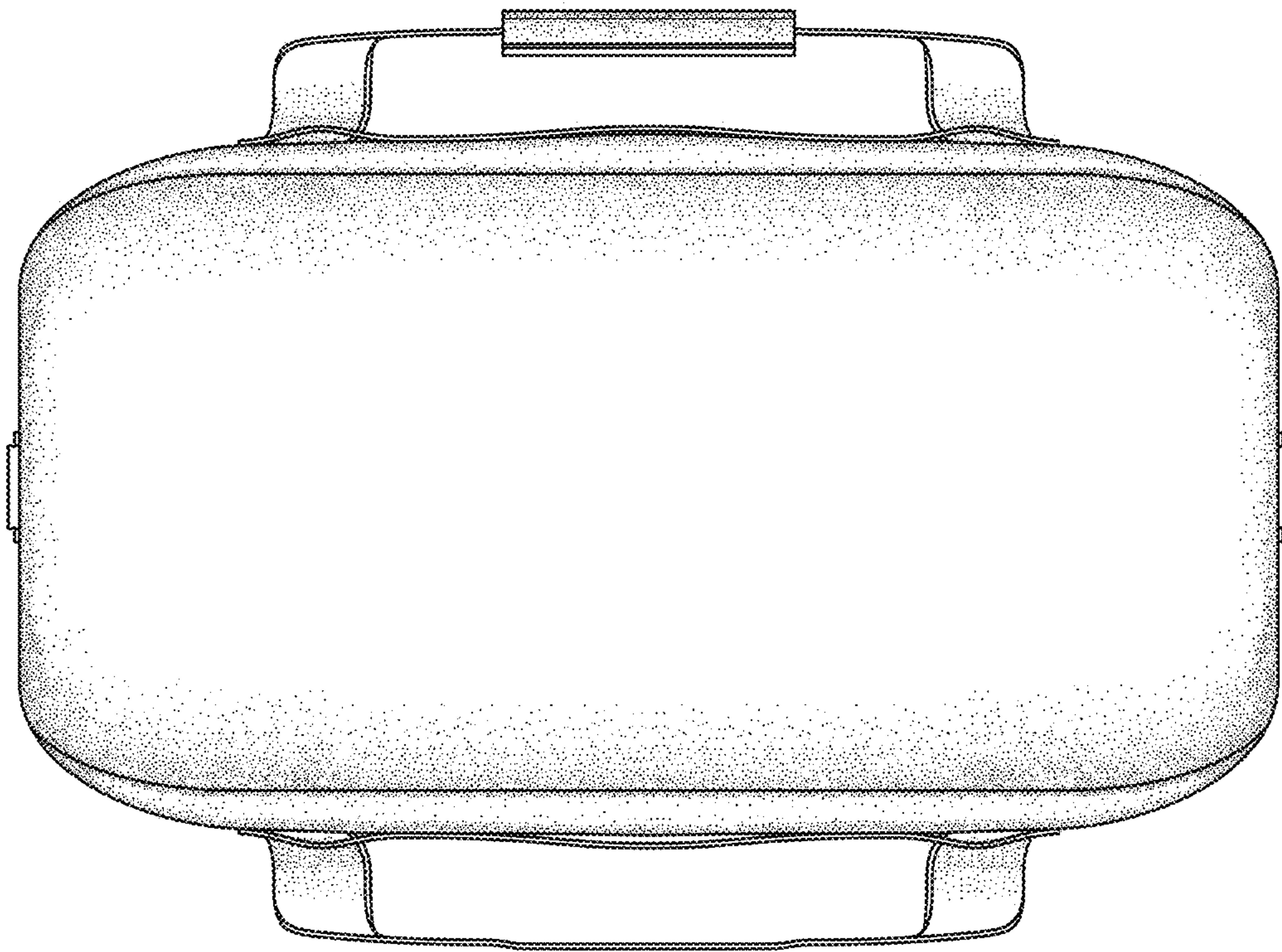


FIG. 14

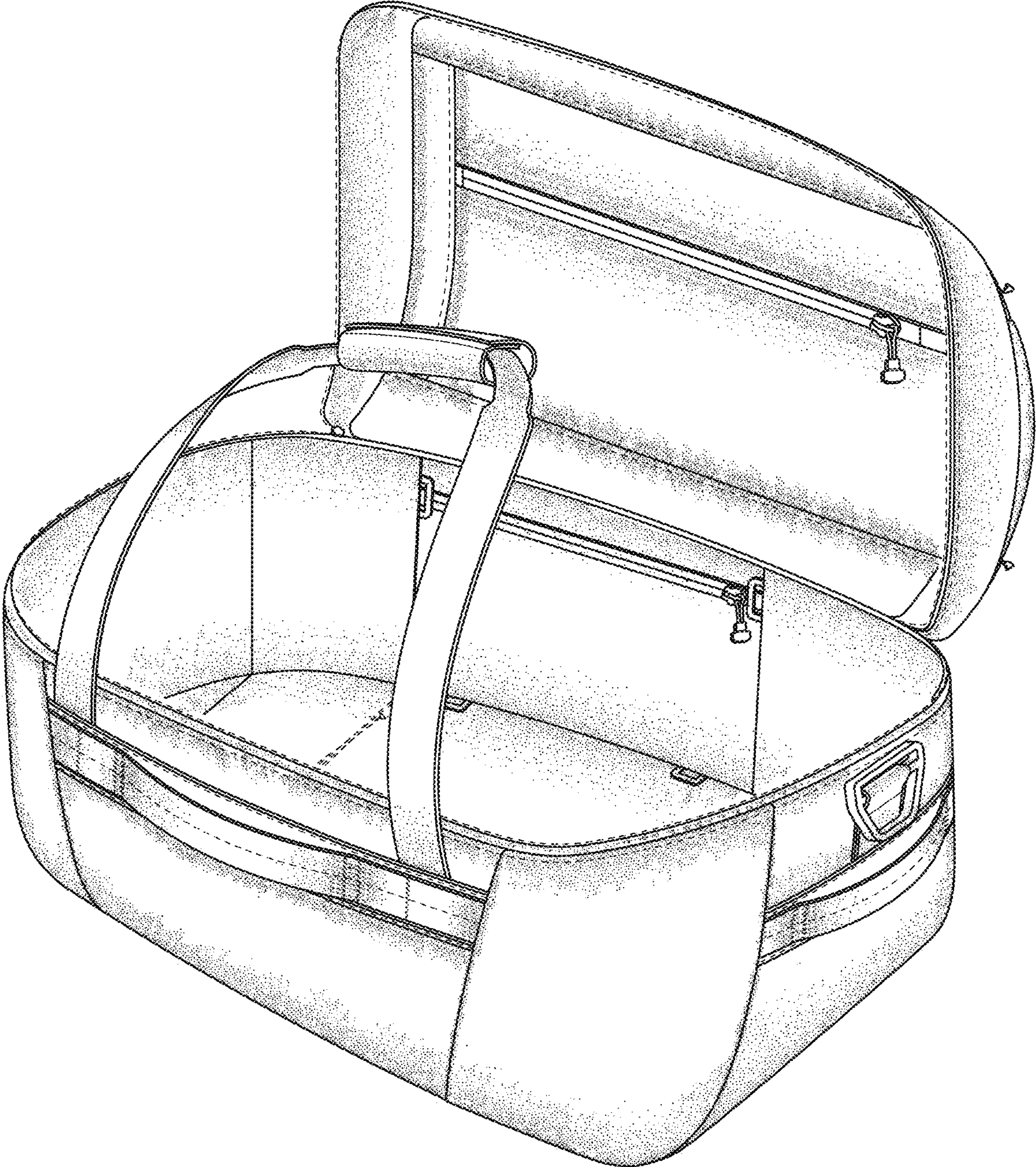


FIG. 15

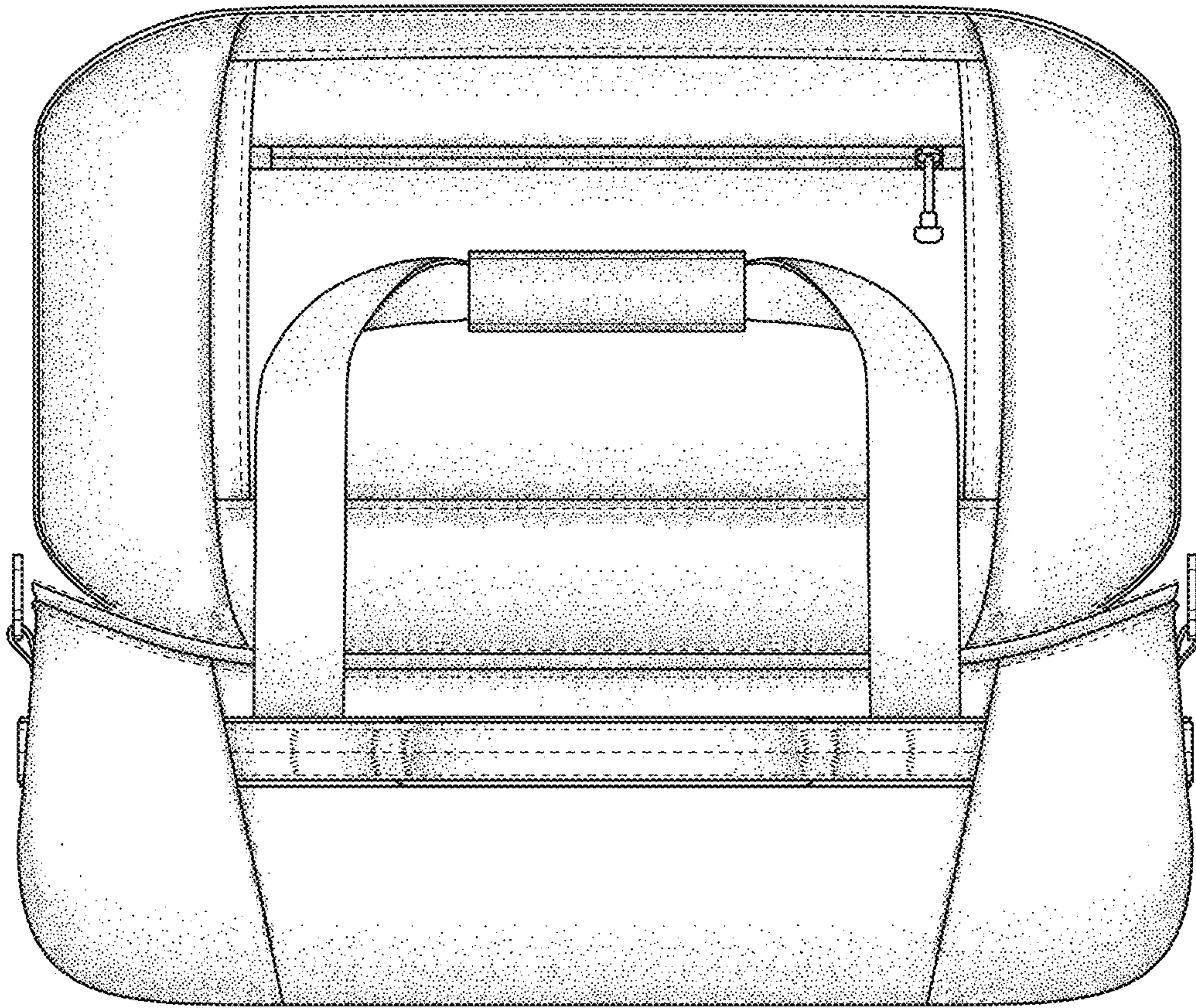


FIG. 16

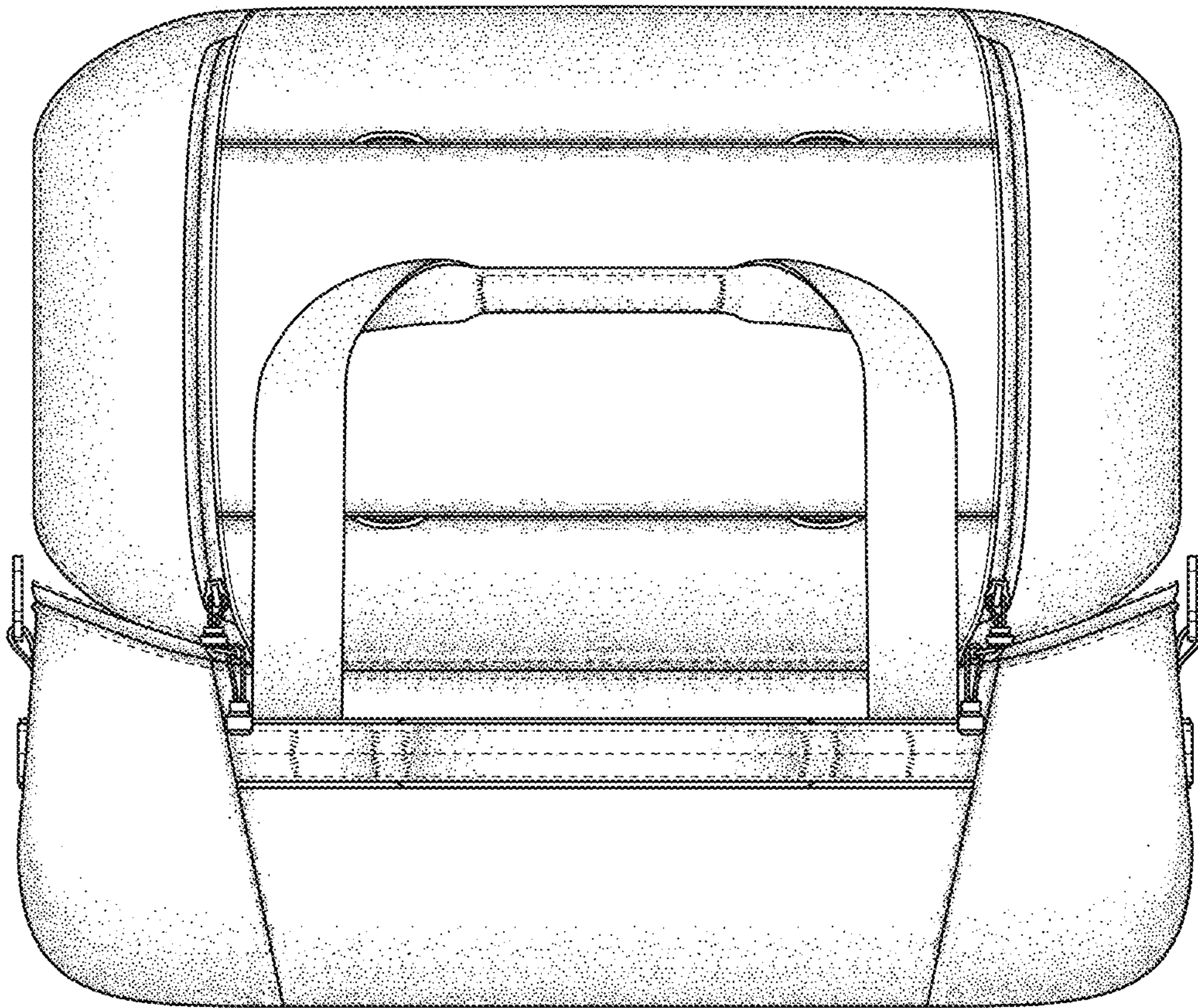


FIG. 17

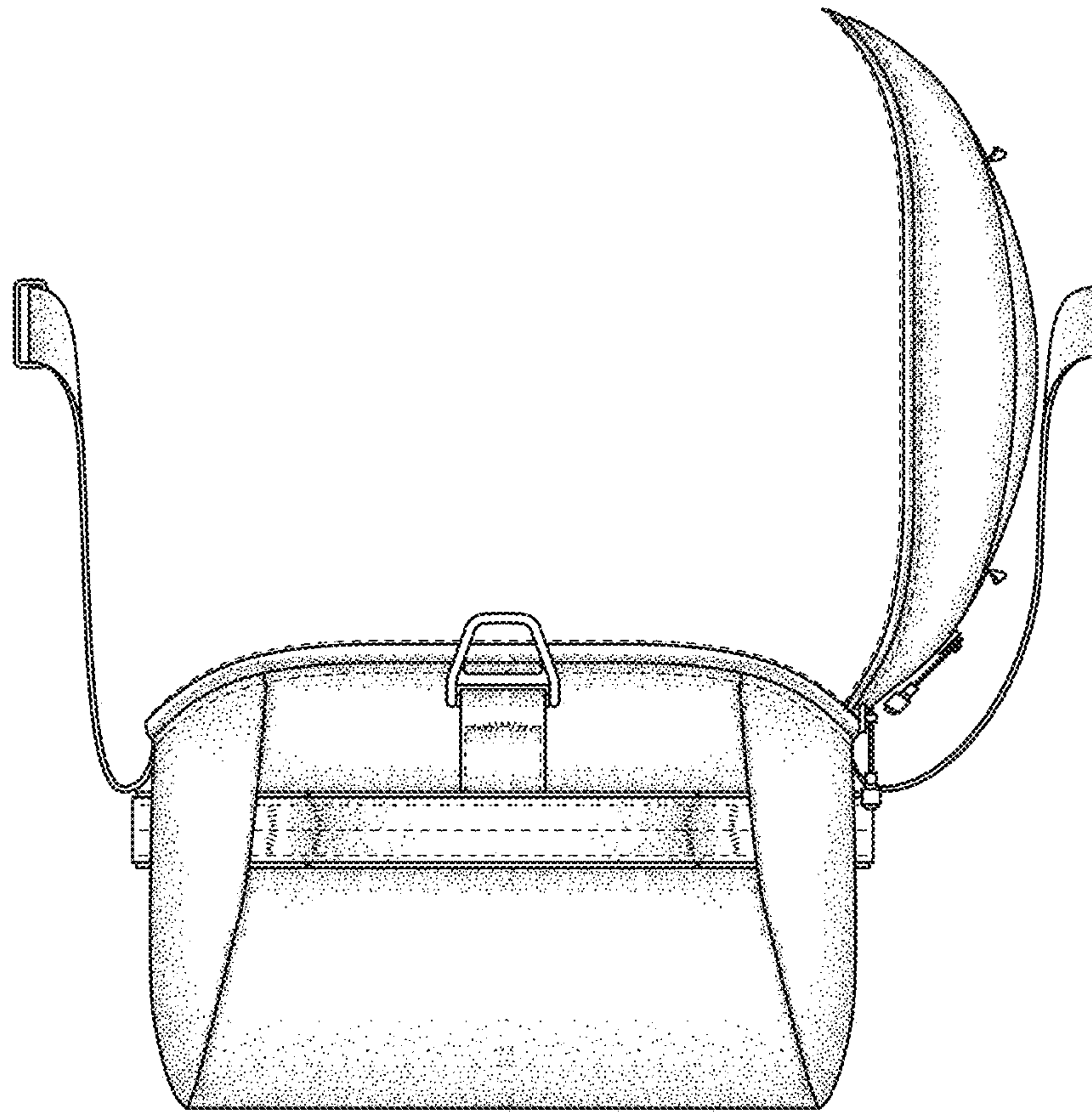


FIG. 18

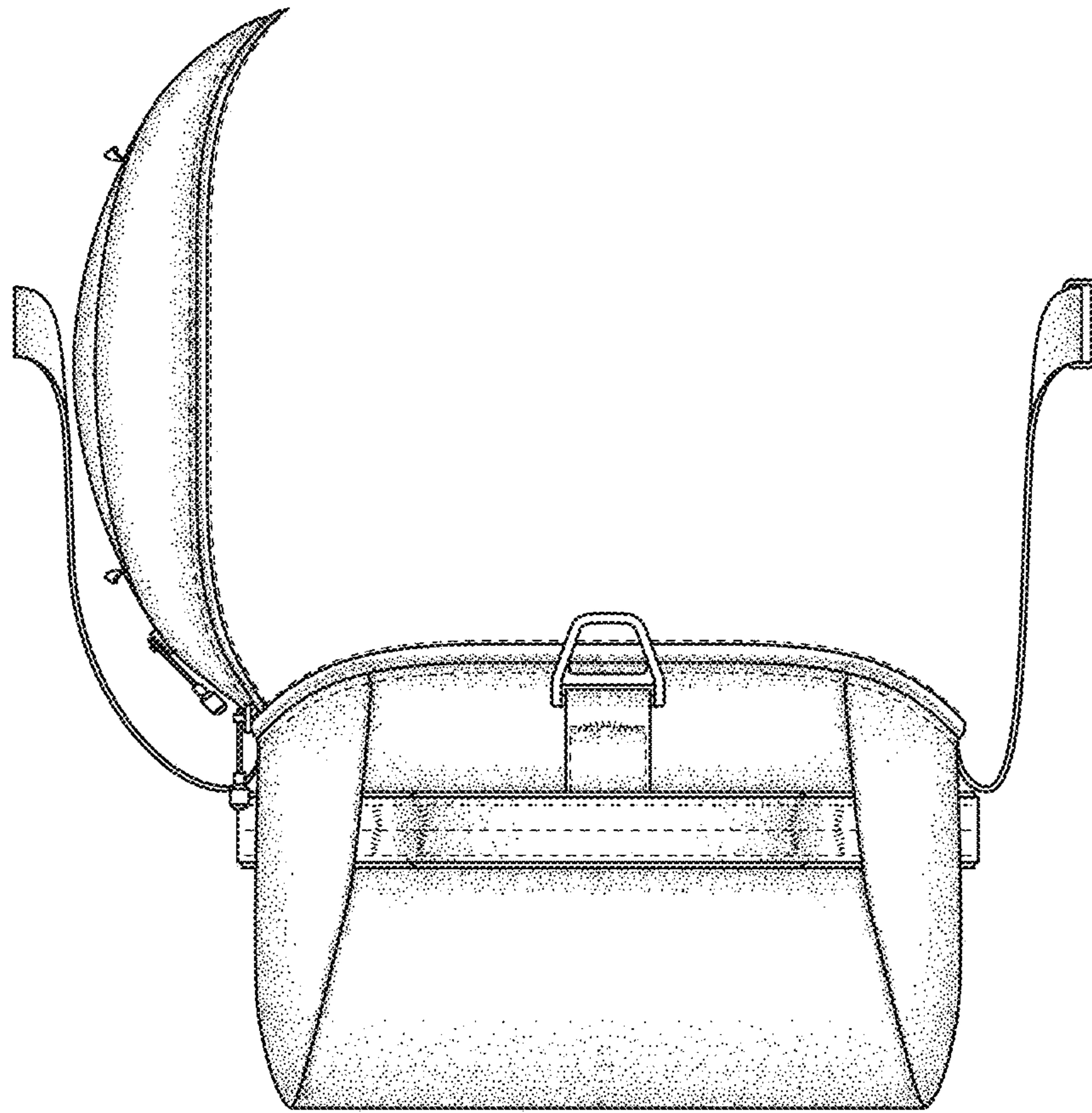


FIG. 19

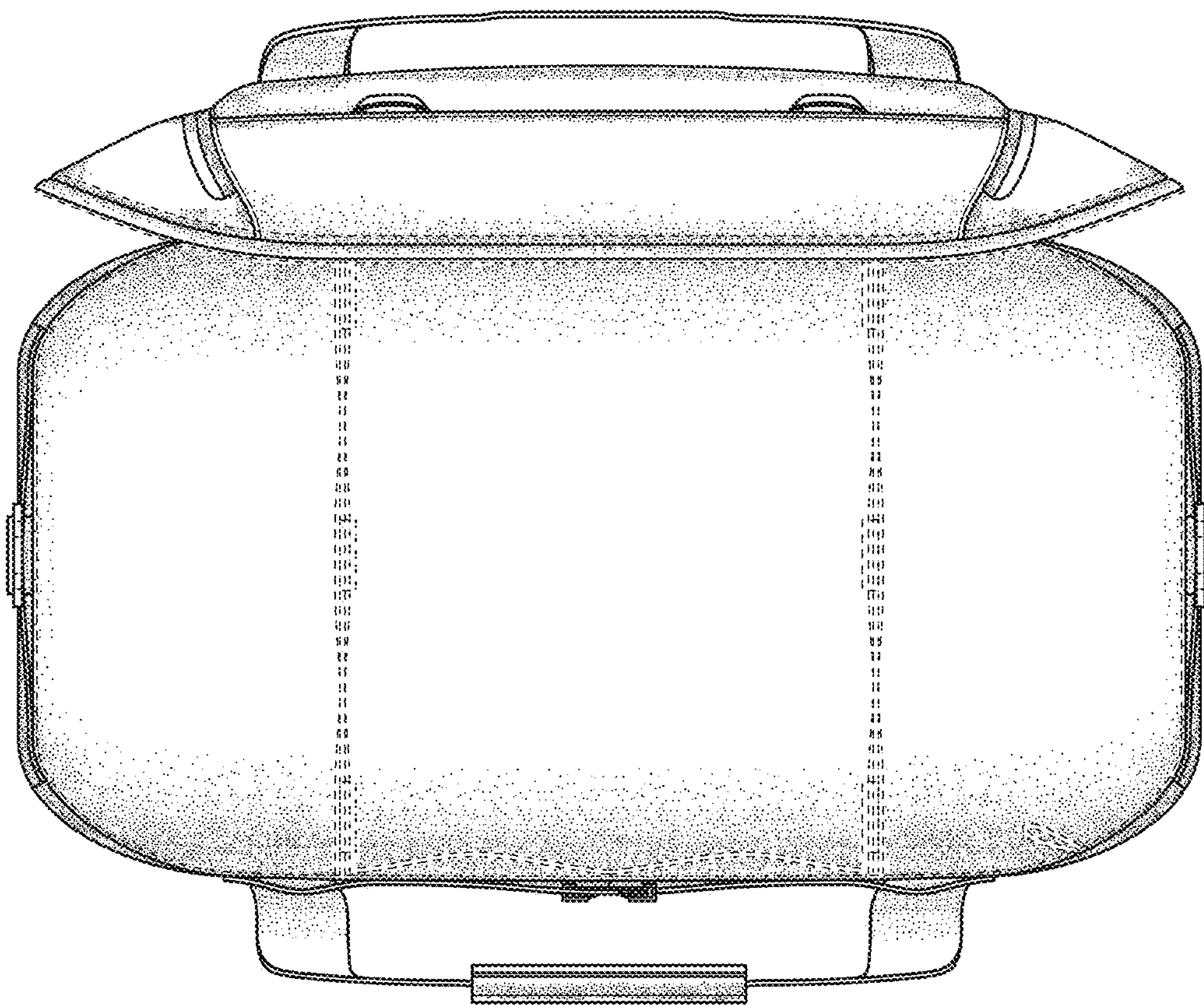


FIG. 20

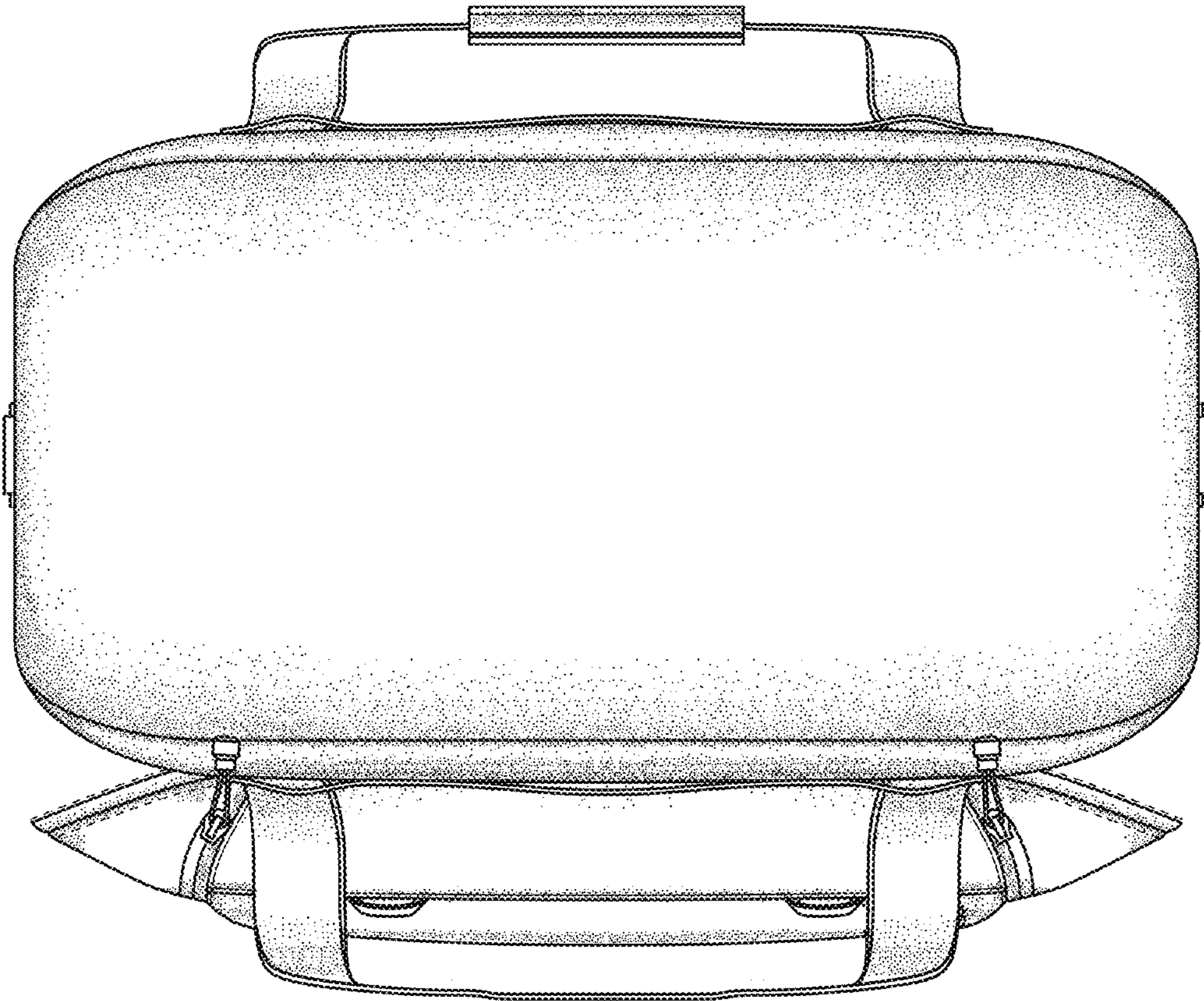


FIG. 21

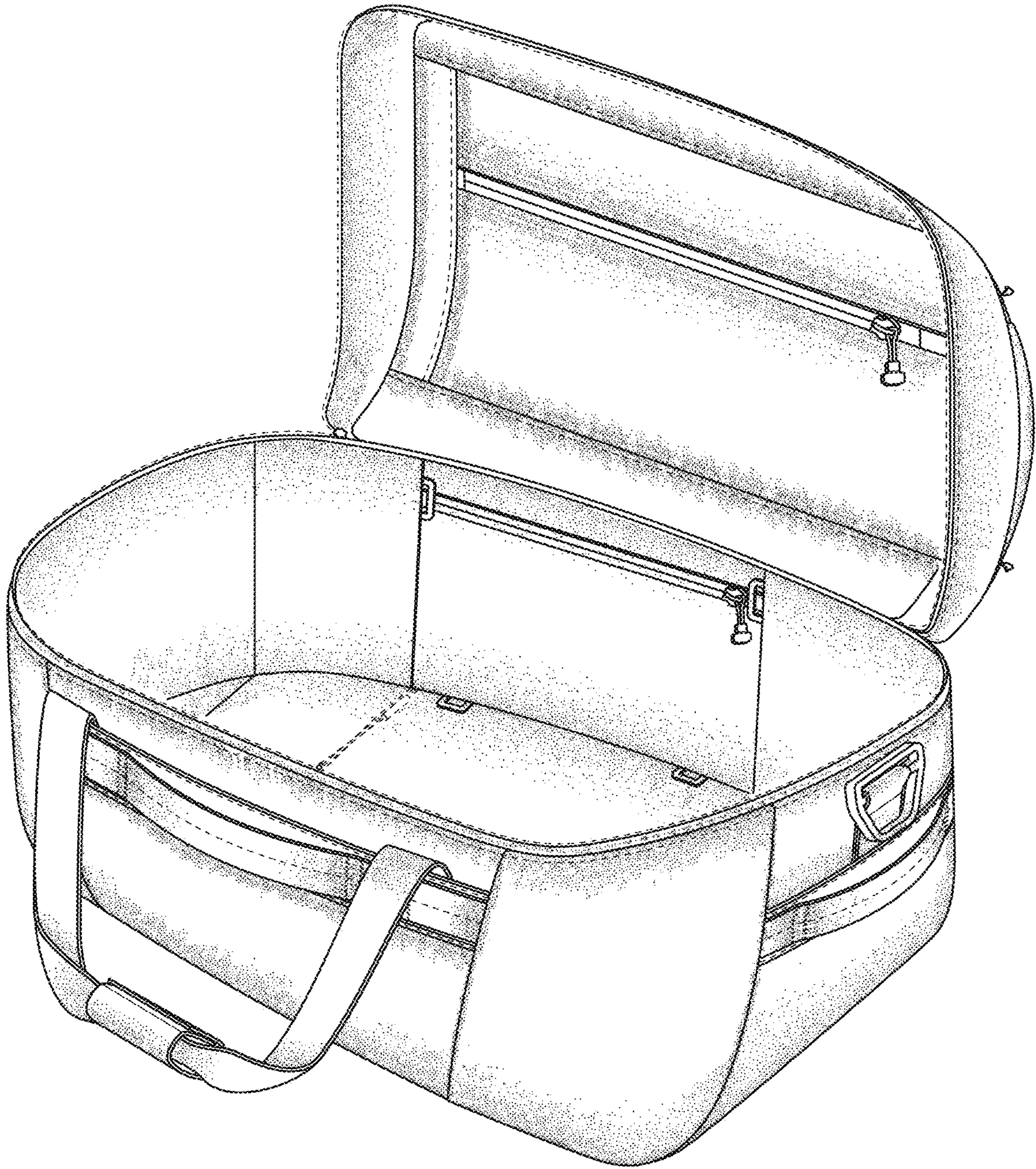


FIG. 22

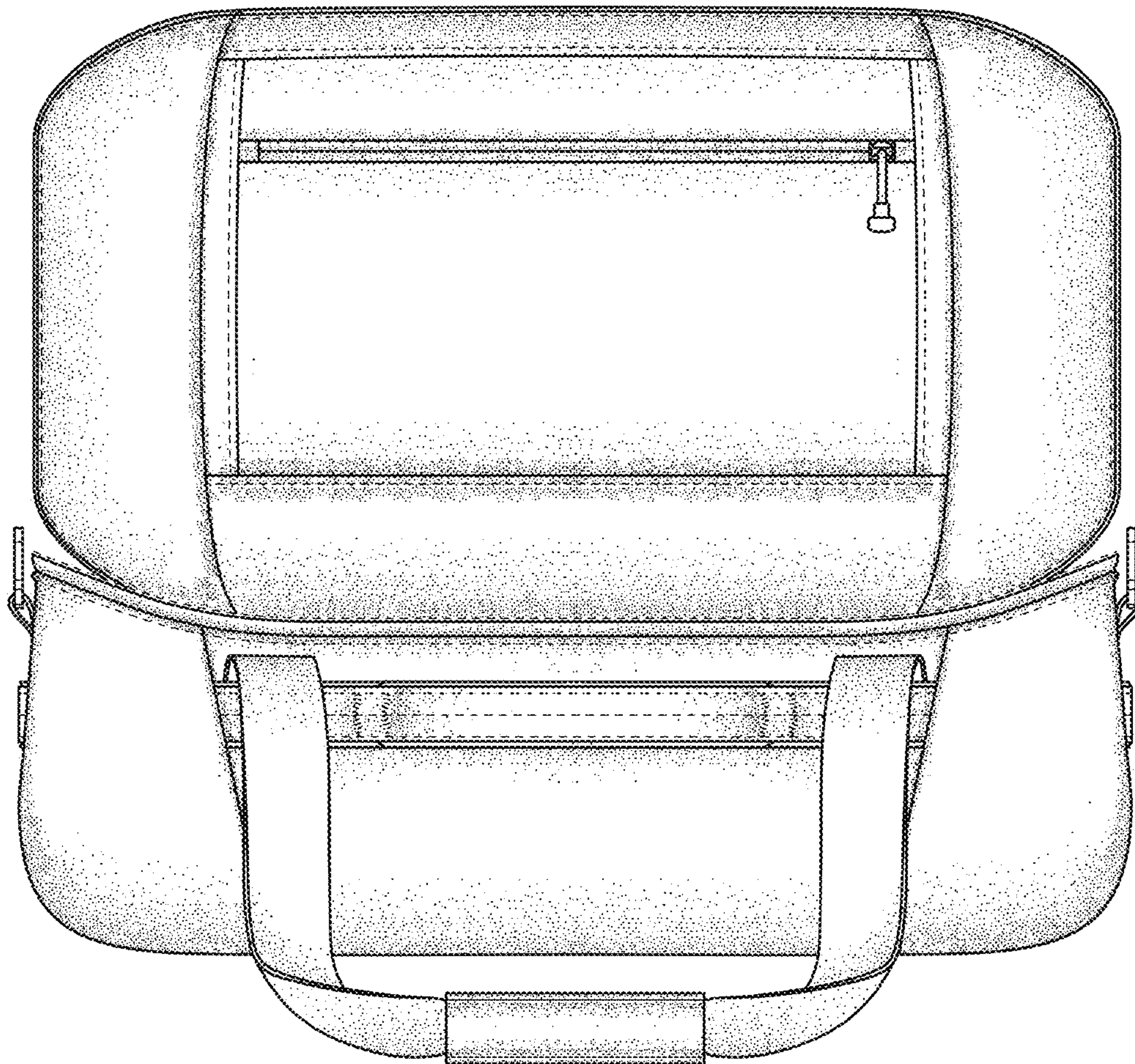


FIG. 23

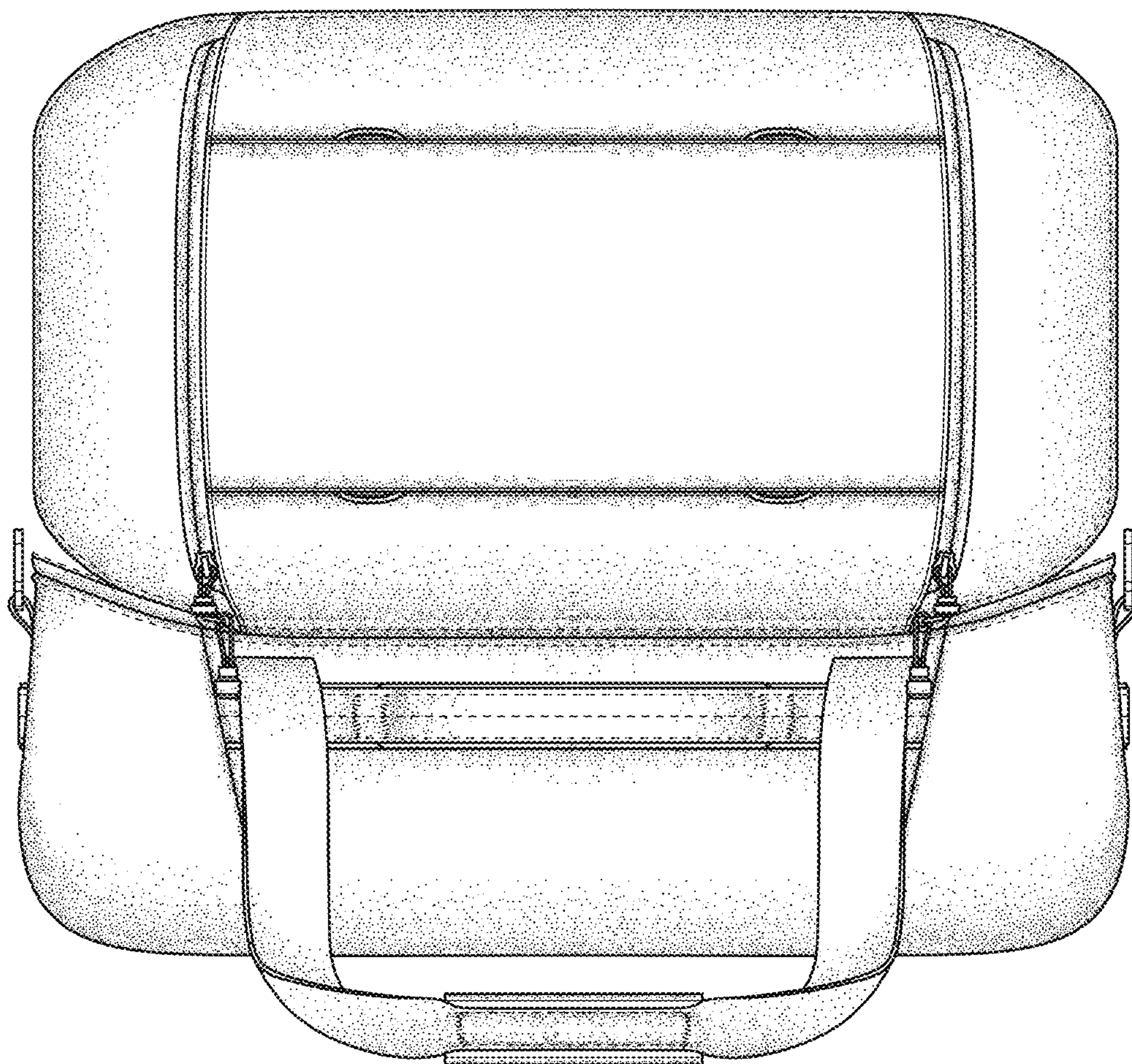


FIG. 24

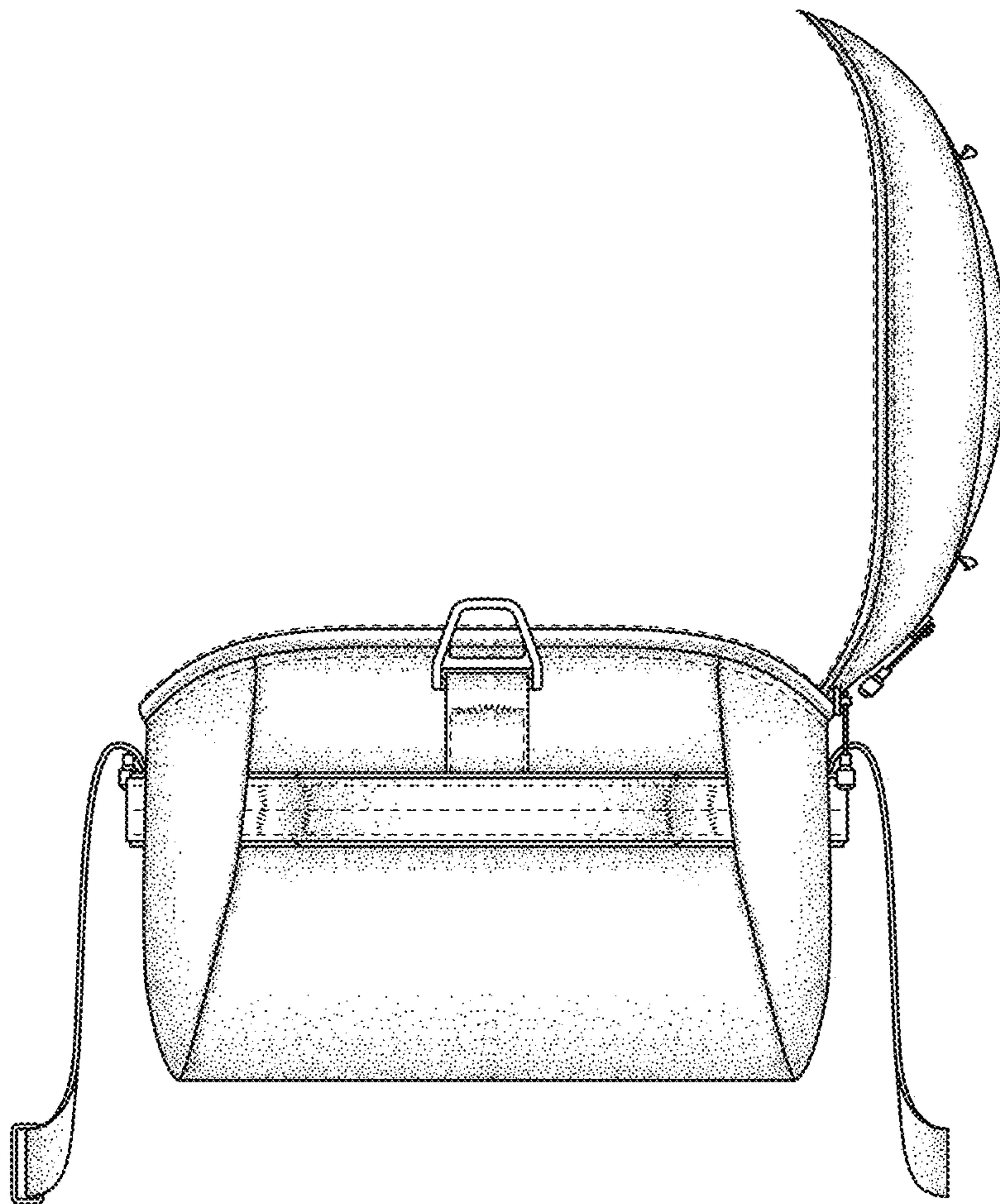


FIG. 25

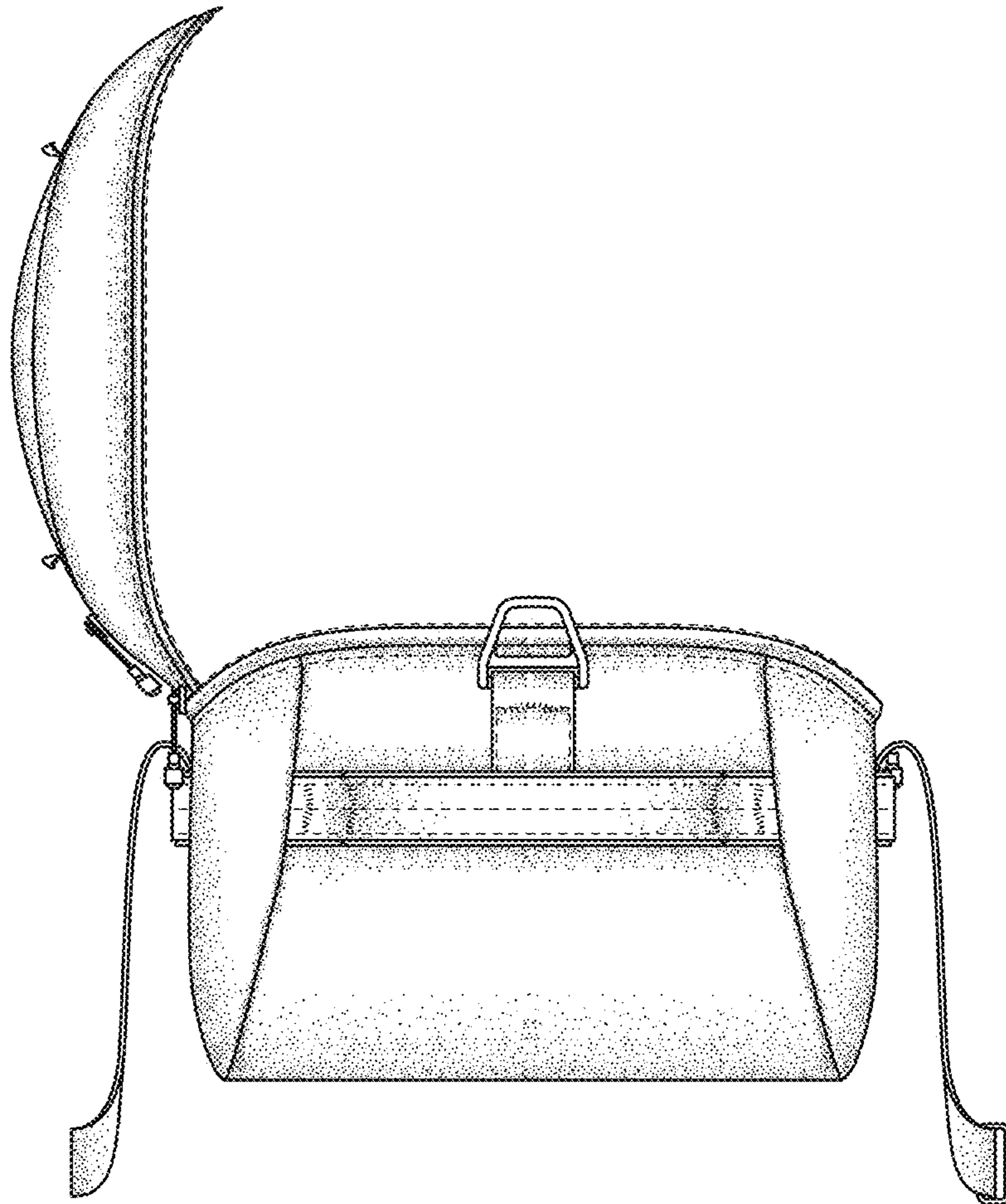


FIG. 26

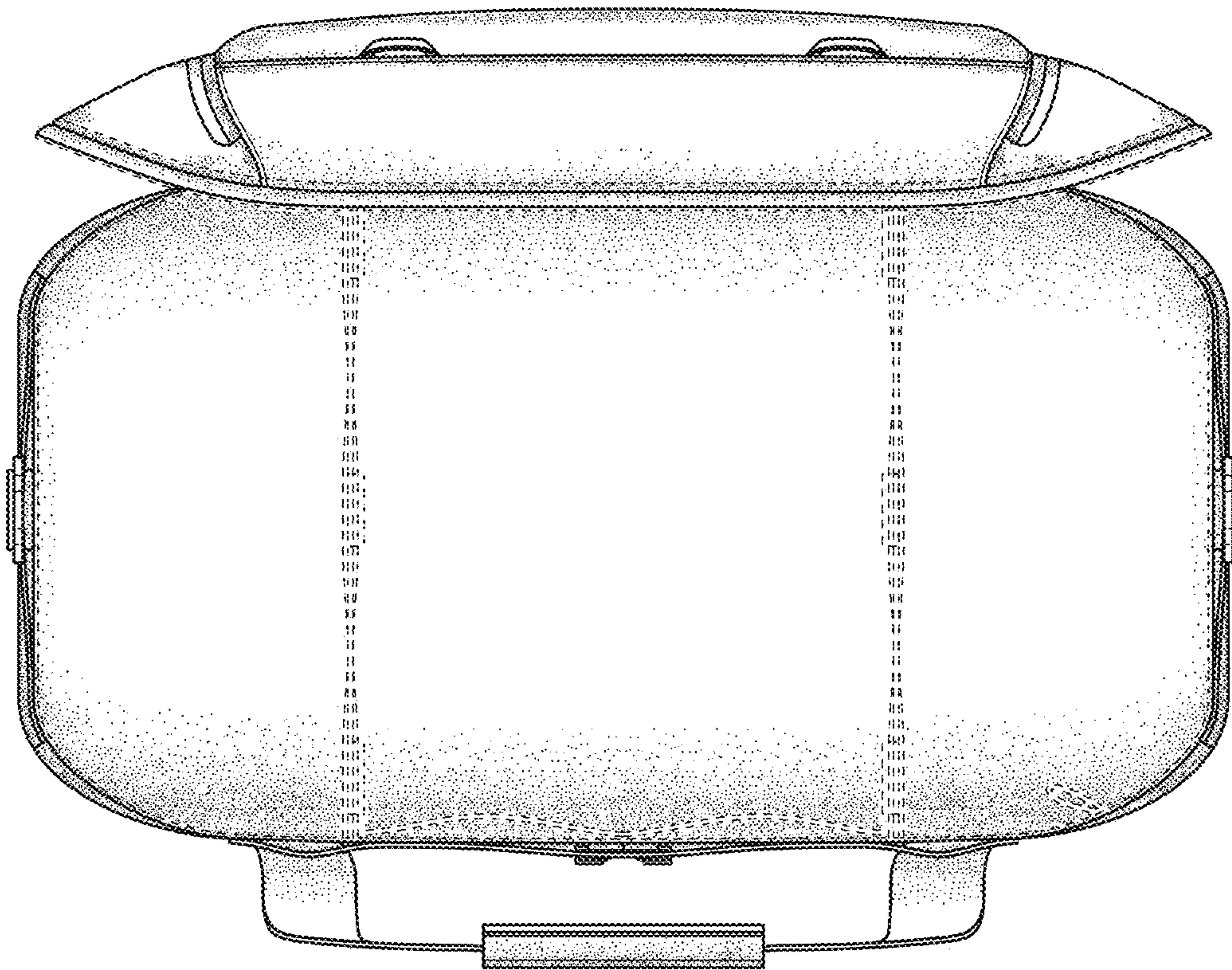


FIG. 27

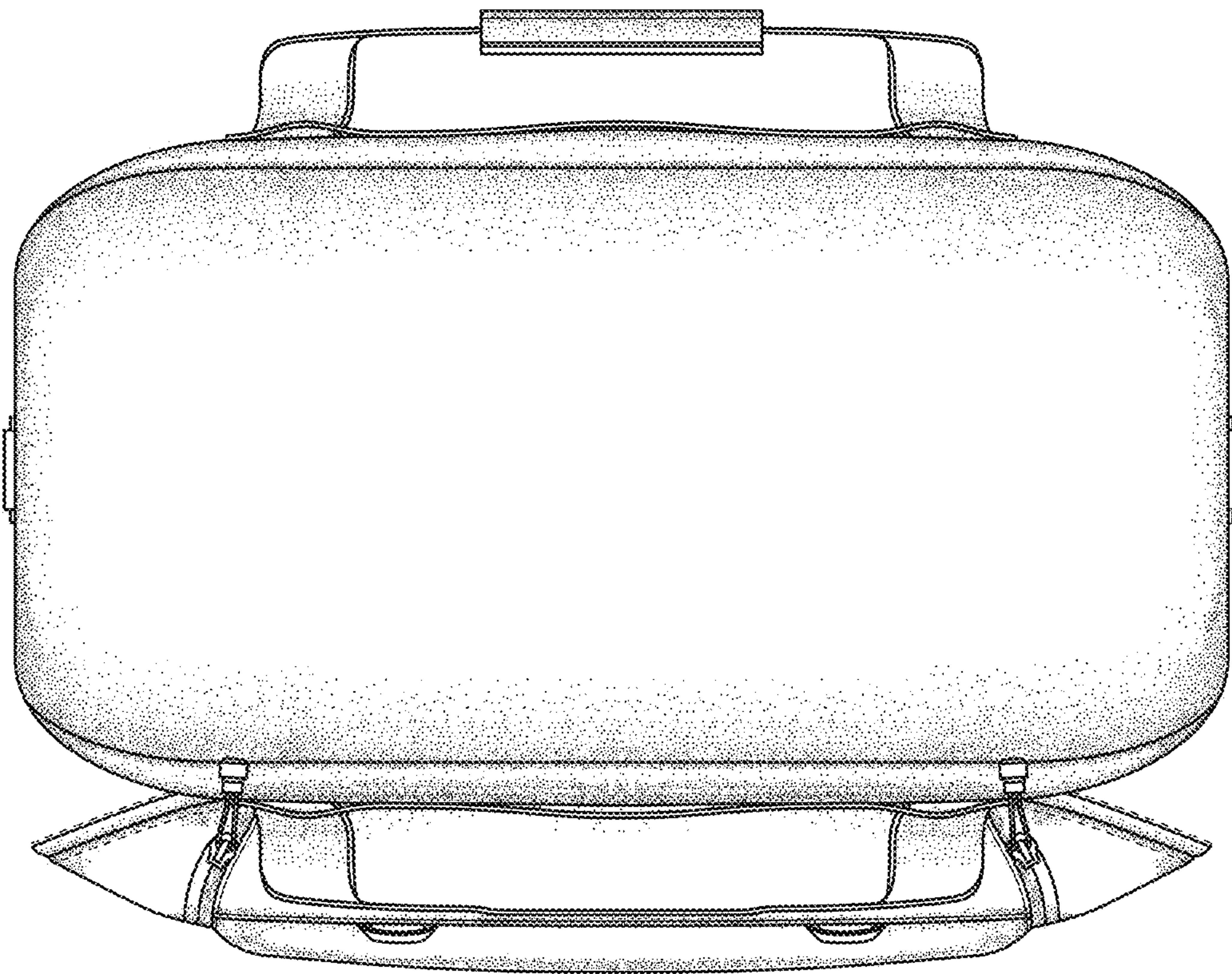


FIG. 28