



US00D955744S

(12) **United States Design Patent**
Chen

(10) **Patent No.:** **US D955,744 S**
(45) **Date of Patent:** **** Jun. 28, 2022**

(54) **TOOL BOX**

FOREIGN PATENT DOCUMENTS

(71) Applicant: **MING SHIN TOOLS CO., LTD.**,
Taichung (TW)

CN 304884156 * 11/2018
CN 305621503 * 2/2020

(72) Inventor: **Yung-Shun Chen**, Taichung (TW)

OTHER PUBLICATIONS

(73) Assignee: **MING SHIN TOOLS CO., LTD.**,
Taichung (TW)

Amazon.com, Site visited Feb. 7, 2022, Prostormer Home Tool Kit, First available May 14, 2019, <https://www.amazon.com/Prostormer-49-Piece-Portable-General-Household/dp/B07JZ31B85> (Year: 2019).*
Lowes.com, Site Visited Feb. 7, 2022, Craftsman Household Tool Set with Hard Case, Oldest Photo Review Dec. 3, 2019, <https://www.lowes.com/pd/CRAFTSMAN-102-Piece-Household-Tool-Set-with-Hard-Case/1000981184> (Year: 2019).*

(**) Term: **15 Years**

(21) Appl. No.: **29/743,068**

(22) Filed: **Jul. 17, 2020**

* cited by examiner

(51) **LOC (13) Cl.** **03-01**

(52) **U.S. Cl.**
USPC **D3/282**

(58) **Field of Classification Search**
USPC D3/272, 273, 274, 275, 276, 277, 278,
D3/279, 280, 281, 282, 283, 284, 285, 38,
D3/74, 201, 204, 221, 254, 260, 286, 294,
D3/295, 299, 904, 905, 290, 901, 902,
D3/903; D6/336, 440, 663, 667, 552,
D6/559, 432, 447; D28/9; D7/701, 702,
D7/703; D9/420; D34/5, 19, 20, 21,
D34/197; D18/59
CPC A47C 1/146; B65D 51/04; B62B 1/12;
A45C 13/03
See application file for complete search history.

Primary Examiner — Brett Miller
Assistant Examiner — Jessica M Gebhart
(74) *Attorney, Agent, or Firm* — Muncy, Geissler, Olds & Lowe, P.C.

(57) **CLAIM**

I claim the ornamental design for a tool box, as shown and described.

DESCRIPTION

FIG. 1 is a top, front, right perspective view of a tool box showing my new design;
FIG. 2 is a front elevational view thereof;
FIG. 3 is a rear elevational view thereof;
FIG. 4 is a left side view thereof;
FIG. 5 is a right side view thereof;
FIG. 6 is a top plan view thereof;
FIG. 7 is a bottom plan view thereof;
FIG. 8 is a partially enlarged view of FIG. 1 thereof; and,
FIG. 9 is a bottom, rear, left perspective view.
The broken lines in the drawings illustrate portions of the tool box which form no part of the claimed design.

(56) **References Cited**

U.S. PATENT DOCUMENTS

D478,209 S	*	8/2003	Chen	D3/905
D563,669 S	*	3/2008	Bosak	D3/905
D691,801 S	*	10/2013	Lin	D3/905
D754,439 S	*	4/2016	Ou	D3/905
D814,187 S	*	4/2018	Caglar	D3/276
D858,995 S	*	9/2019	Chang	D3/273
D872,471 S	*	1/2020	Zhao	D3/276
D904,020 S	*	12/2020	Chen	D3/905

1 Claim, 7 Drawing Sheets

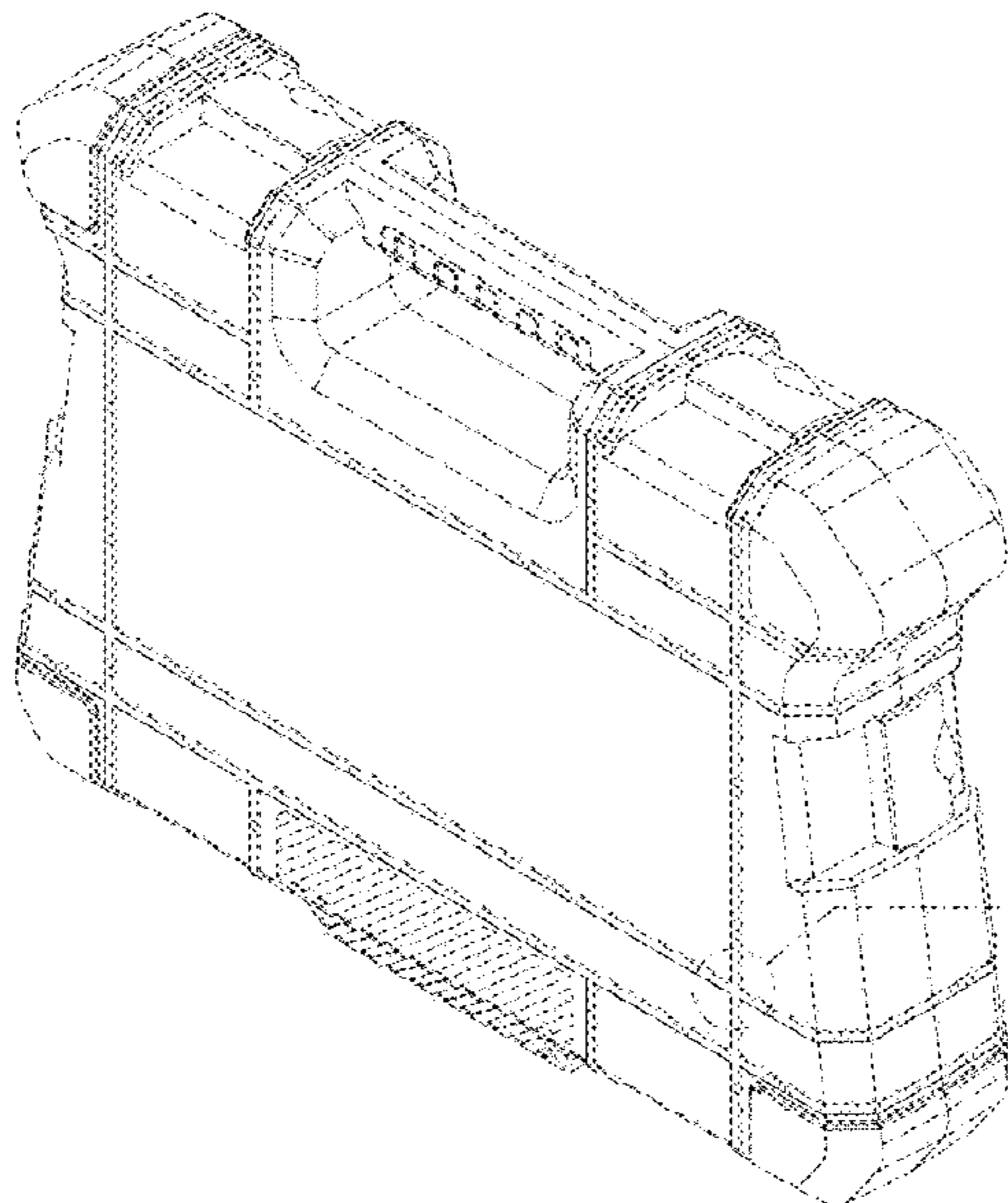
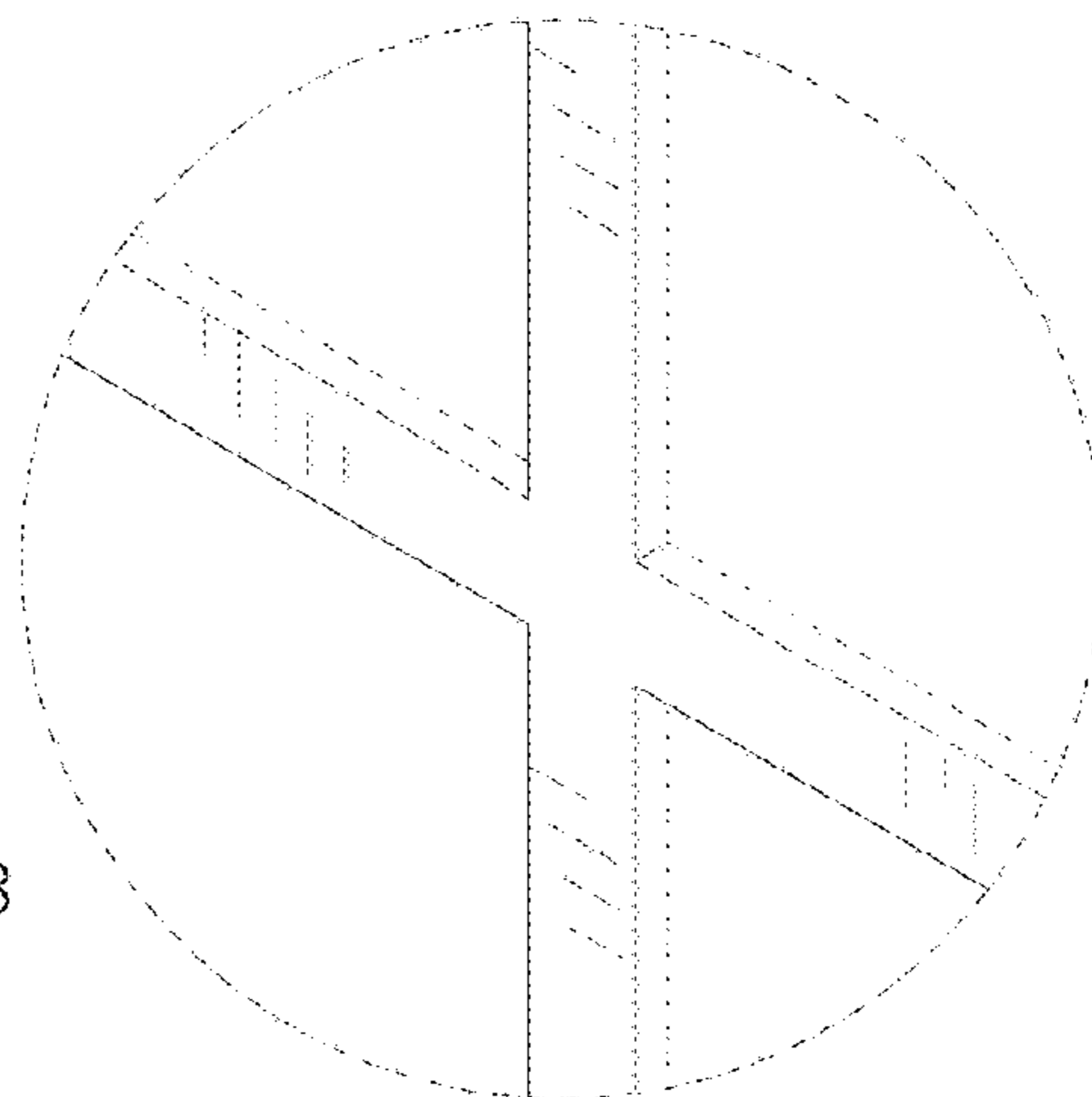


FIG. 8



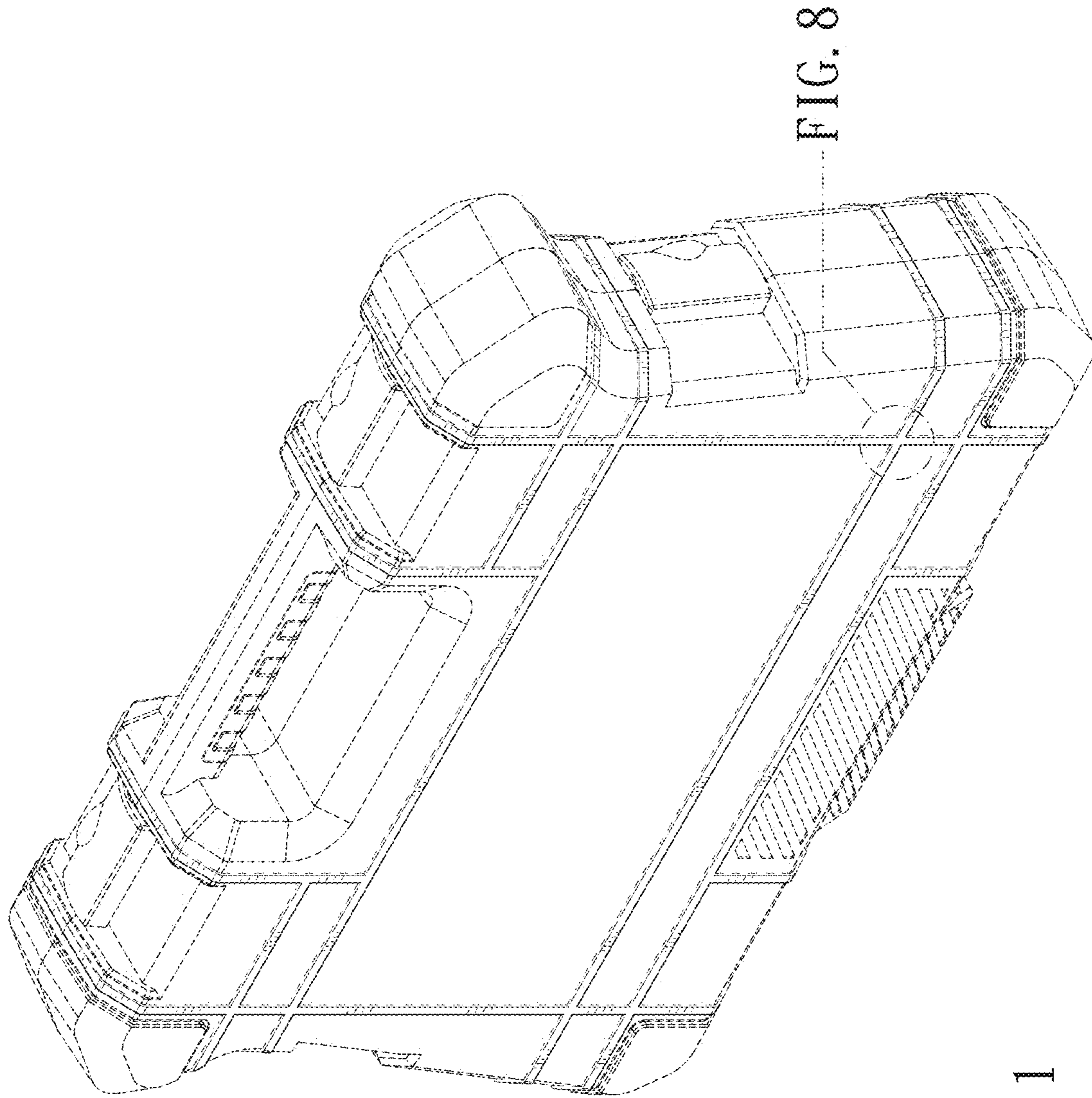


FIG. 8

FIG. 1

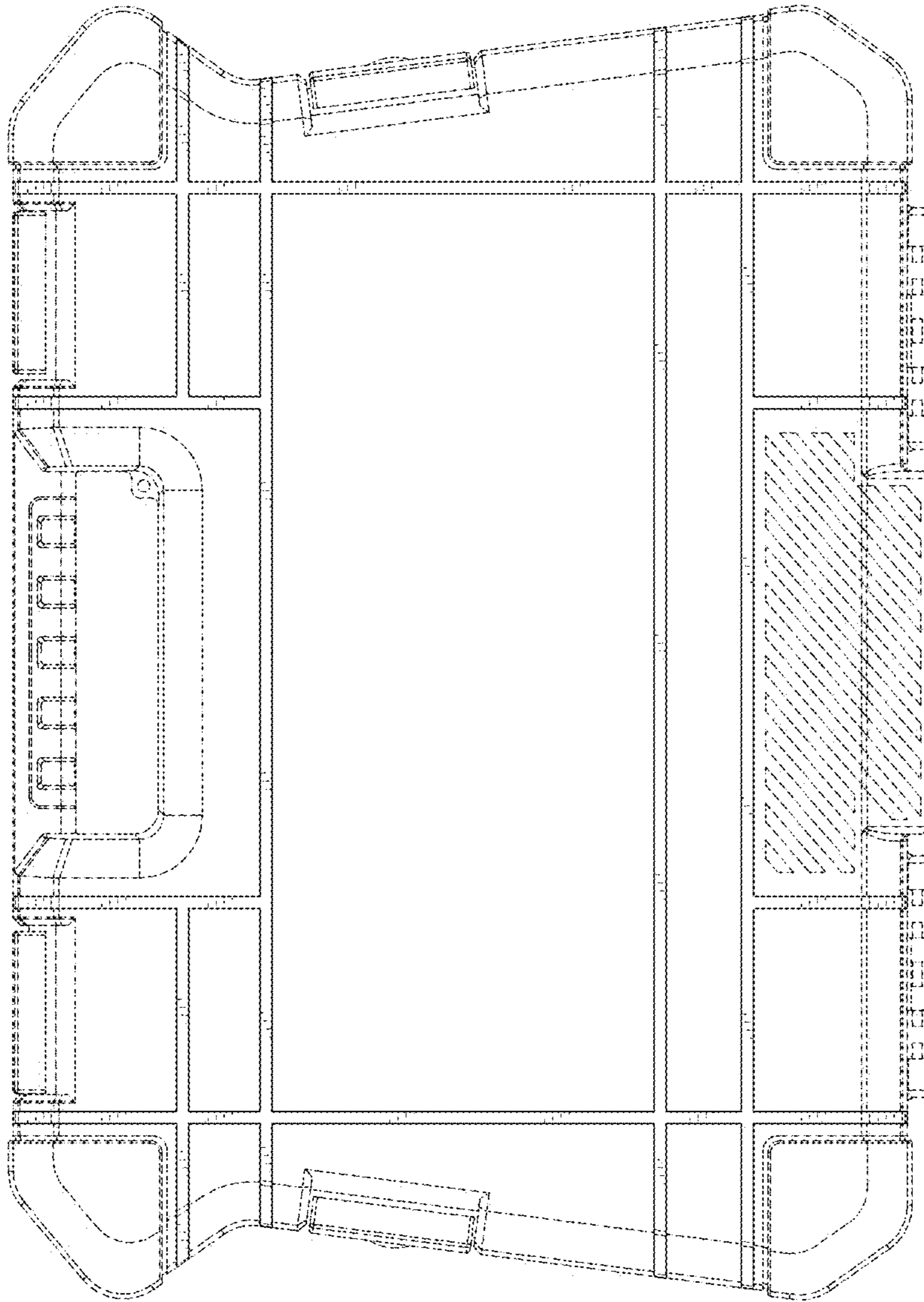


FIG. 2

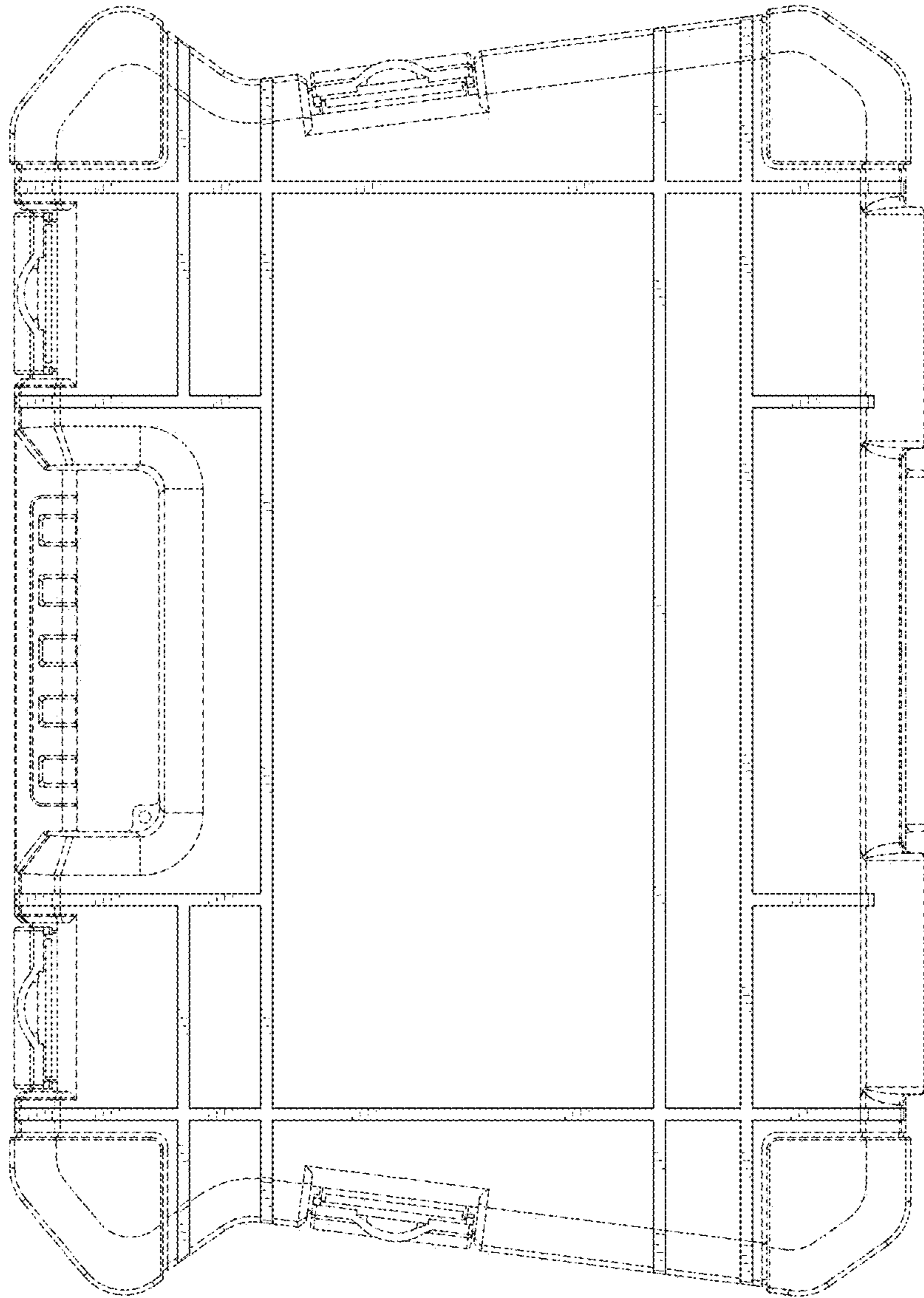


FIG. 3

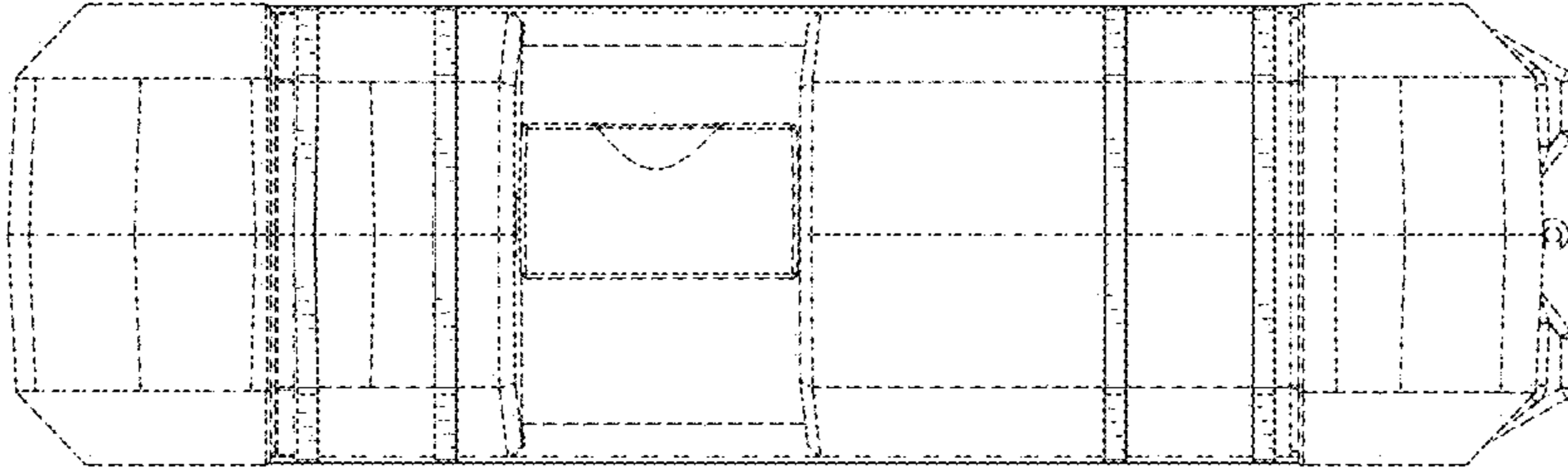


FIG. 5

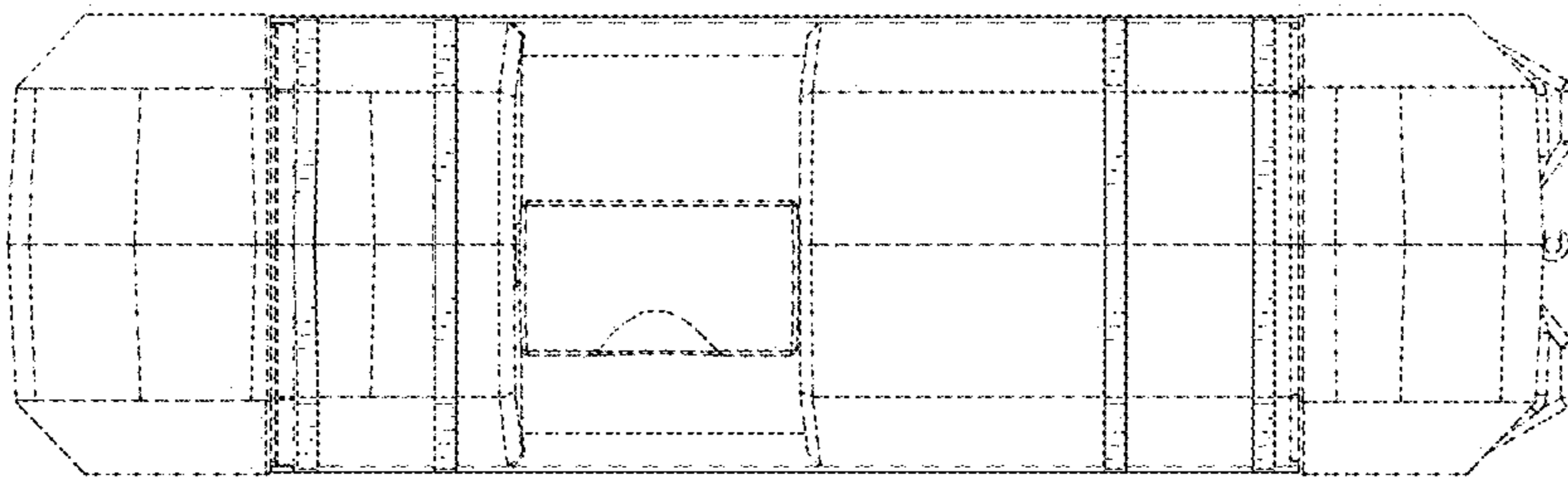


FIG. 4

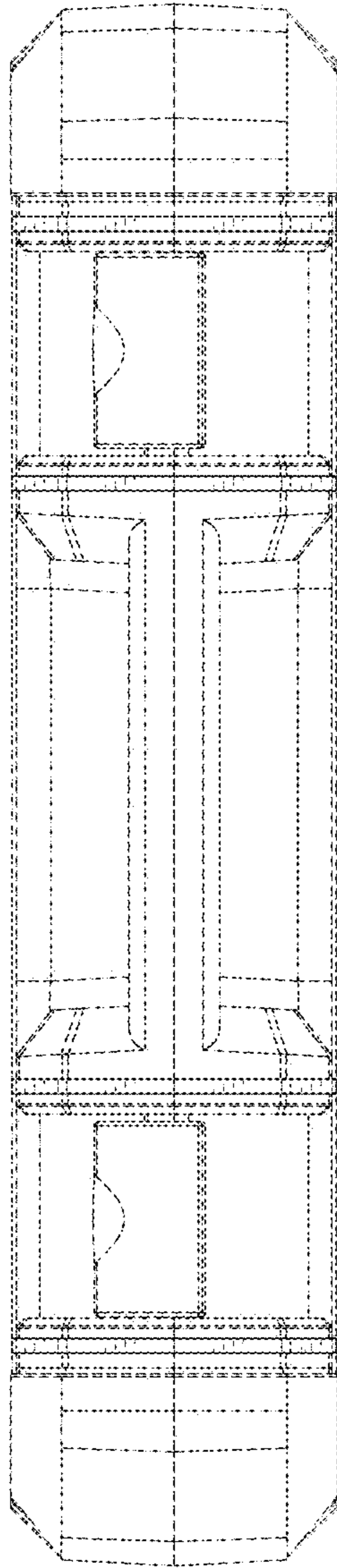


FIG. 6

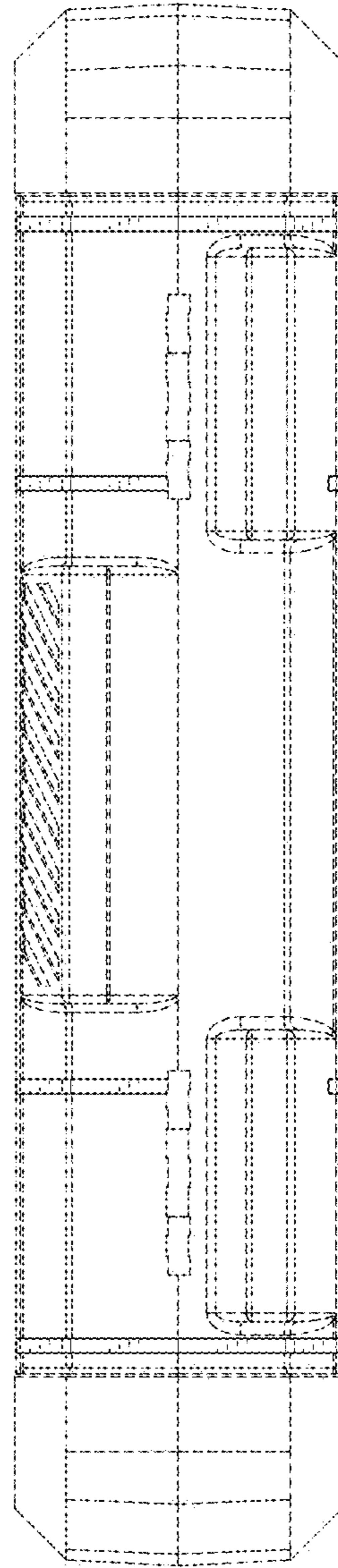


FIG. 7

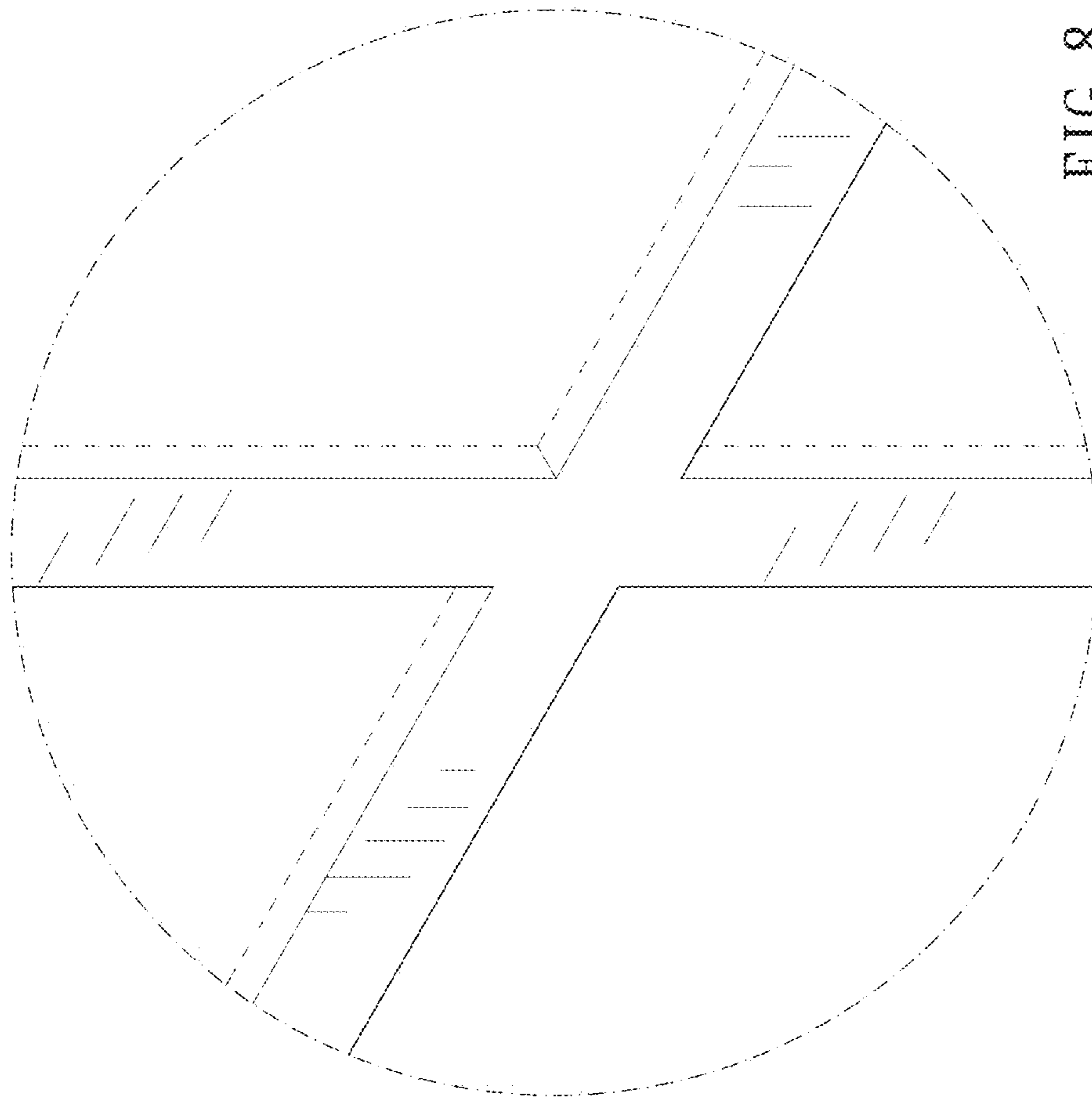


FIG. 8

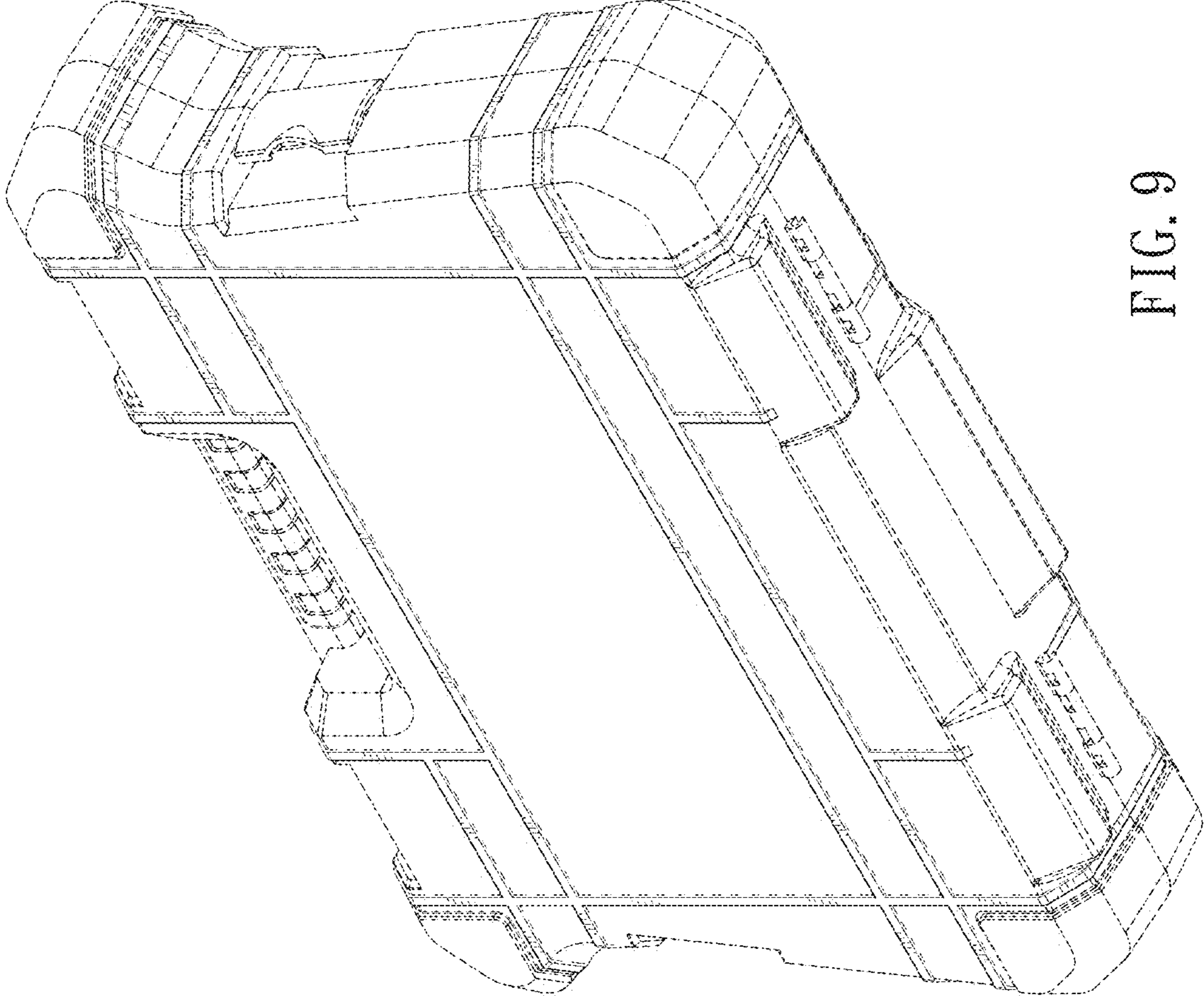


FIG. 9