



US00D955740S

(12) **United States Design Patent** (10) **Patent No.:** **US D955,740 S**
Velenchenko et al. (45) **Date of Patent:** **** Jun. 28, 2022**

(54) **RADIO HOLSTER**
(71) Applicant: **Tenacious Holdings, Inc.**, St. Paul, MN (US)
(72) Inventors: **Brent Velenchenko**, Minneapolis, MN (US); **Dominique Aris**, Rolling Hills, CA (US); **Allie Thunstrom**, Maplewood, MN (US)

D750,369 S * 3/2016 Hamilton D3/218
D750,376 S * 3/2016 Hamilton D3/218
D812,900 S * 3/2018 Votel D3/228
D891,776 S * 8/2020 Eremita D3/218
D935,170 S * 11/2021 Yang D3/218
D936,357 S * 11/2021 Yang D3/249
2007/0235492 A1 * 10/2007 Sirichai H04B 1/3888
224/675

(73) Assignee: **Tenacious Holdings, Inc.**, St. Paul, MN (US)

(**) Term: **15 Years**

(21) Appl. No.: **29/750,631**

(22) Filed: **Sep. 15, 2020**

(51) **LOC (13) Cl.** **03-01**

(52) **U.S. Cl.**
USPC **D3/218**

(58) **Field of Classification Search**
USPC D3/213–218, 221, 224–228, 254, 273, D3/293–294, 300, 303, 318, 321, 327; D14/250
CPC A45F 5/00; A45F 5/02; A45F 5/021; A45F 2200/0516; B60R 11/00; B60R 11/02; B60R 11/07; B60R 11/0241; B60R 11/0252; H05K 7/00; F16M 11/00; F16M 11/04; F16M 11/06; H04M 1/02; H04M 1/04; A45C 2011/002

See application file for complete search history.

(56) **References Cited**

U.S. PATENT DOCUMENTS

D480,557 S * 10/2003 Kohli D3/218
D525,026 S * 7/2006 Silvera D3/218
D550,955 S * 9/2007 Boyd D3/218
D558,450 S * 1/2008 McMillan D3/254
D657,136 S * 4/2012 Kinsky D3/218

OTHER PUBLICATIONS

Ergodyne Squids 3772 Radio Holster Attachment Small, first available Dec. 15, 2020, amazon.com [online], [site visited Mar. 7, 2022], Available at URL: <https://www.amazon.com/Ergodyne-Squids-3772-Holster-Attachment/dp/B08QQ1VZCT?th=1> (Year: 2020).*

(Continued)

Primary Examiner — Jeffrey D Asch

Assistant Examiner — Caitlin A Laverty

(74) *Attorney, Agent, or Firm* — Skaar Ulbrich Macari, P.A.

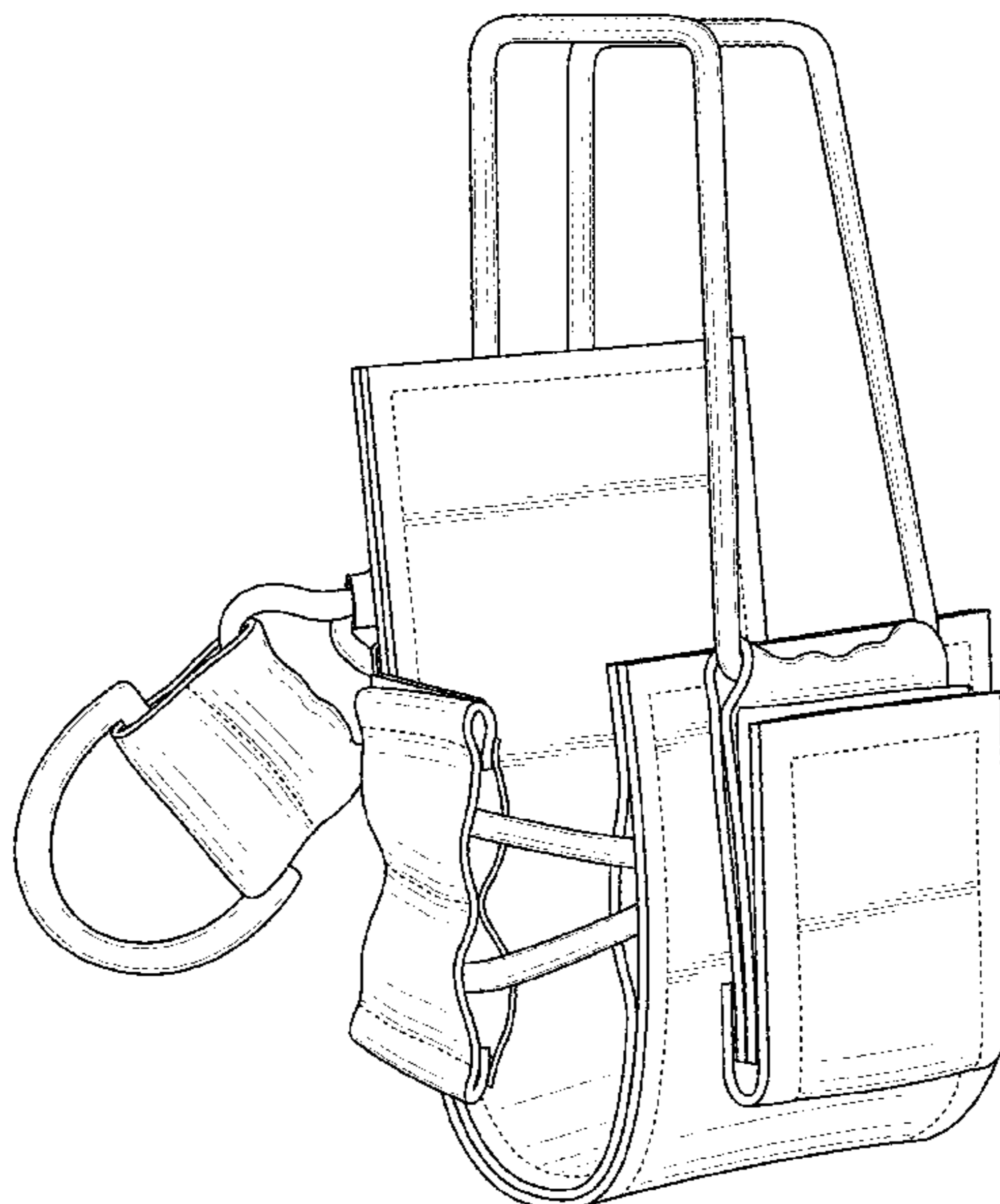
(57) **CLAIM**

The ornamental design for a radio holster, as shown and described.

DESCRIPTION

FIG. 1 is a front perspective view of a radio holster showing our new design holding a radio shown in broken lines; FIG. 2 is a front perspective view thereof; FIG. 3 is a front elevation view thereof; FIG. 4 is a rear elevation view thereof; FIG. 5 is a right side elevation view thereof; FIG. 6 is a left side elevation view thereof; FIG. 7 is a top plan view thereof; and, FIG. 8 is a bottom plan view thereof. The broken lines shown within shaded areas of the radio holster represent stitching and form part of the claimed design.

1 Claim, 8 Drawing Sheets



(56)

References Cited

OTHER PUBLICATIONS

Universal Walkie Talkie Bag Pouch with Adjustable Shoulder Strap, first available May 6, 2019, amazon.com [online], [site visited Mar. 7, 2022], Available at URL: <https://www.amazon.com/Universal-Adjustable-Shoulder-Portable-Multi-Function/dp/B07RK3YJHM> (Year: 2019).*

* cited by examiner

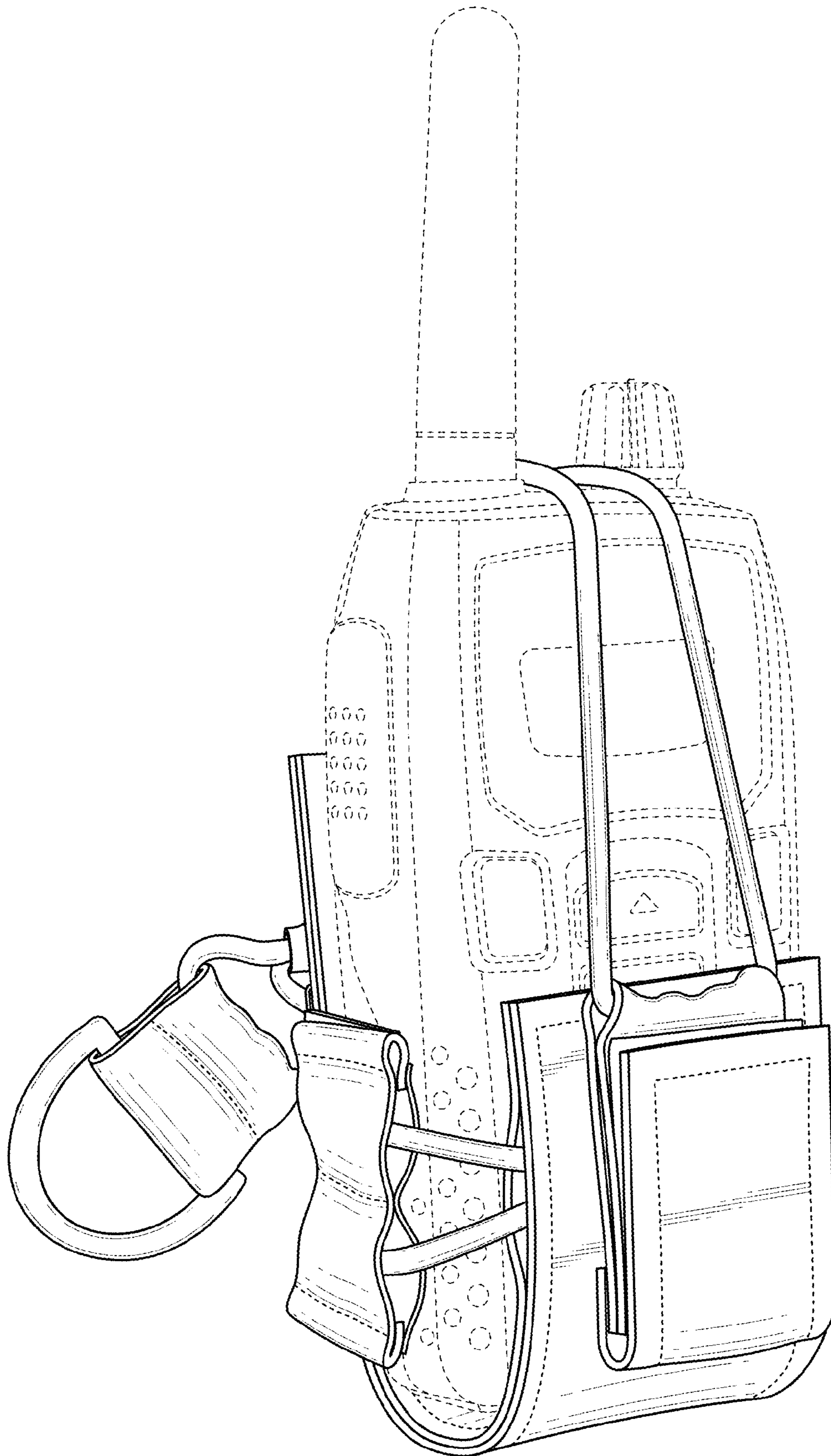


FIG. 1

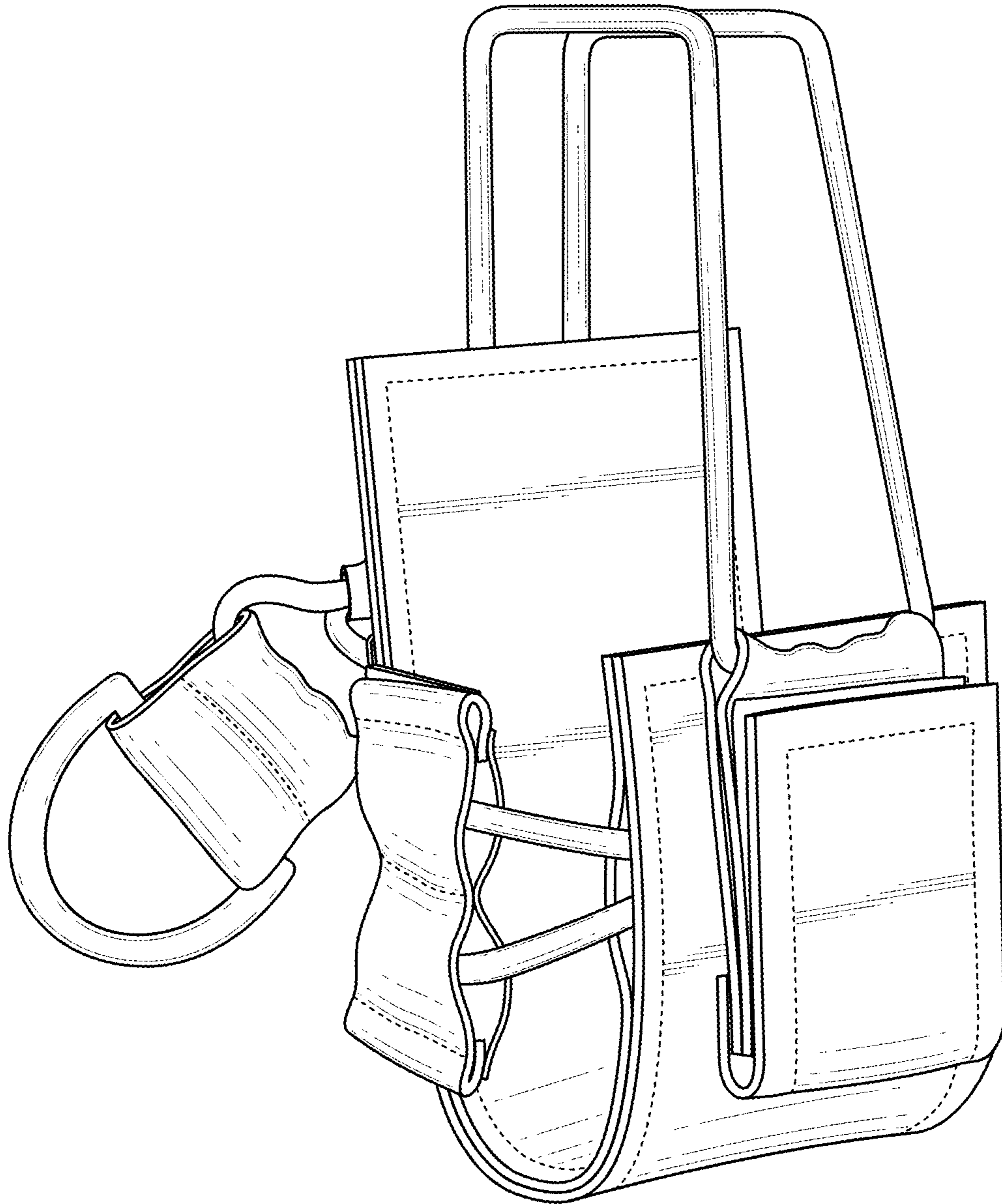


FIG. 2

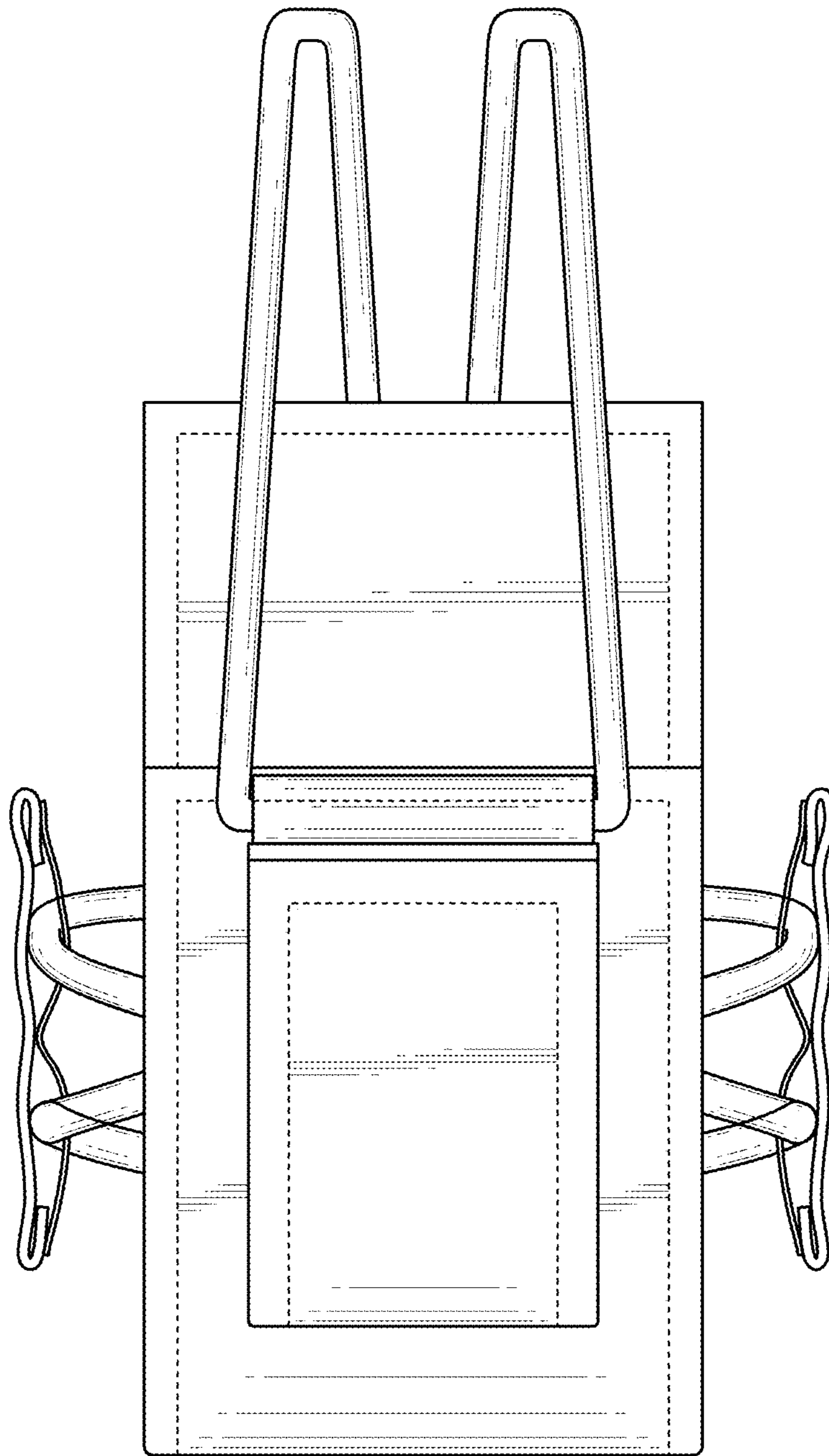


FIG. 3

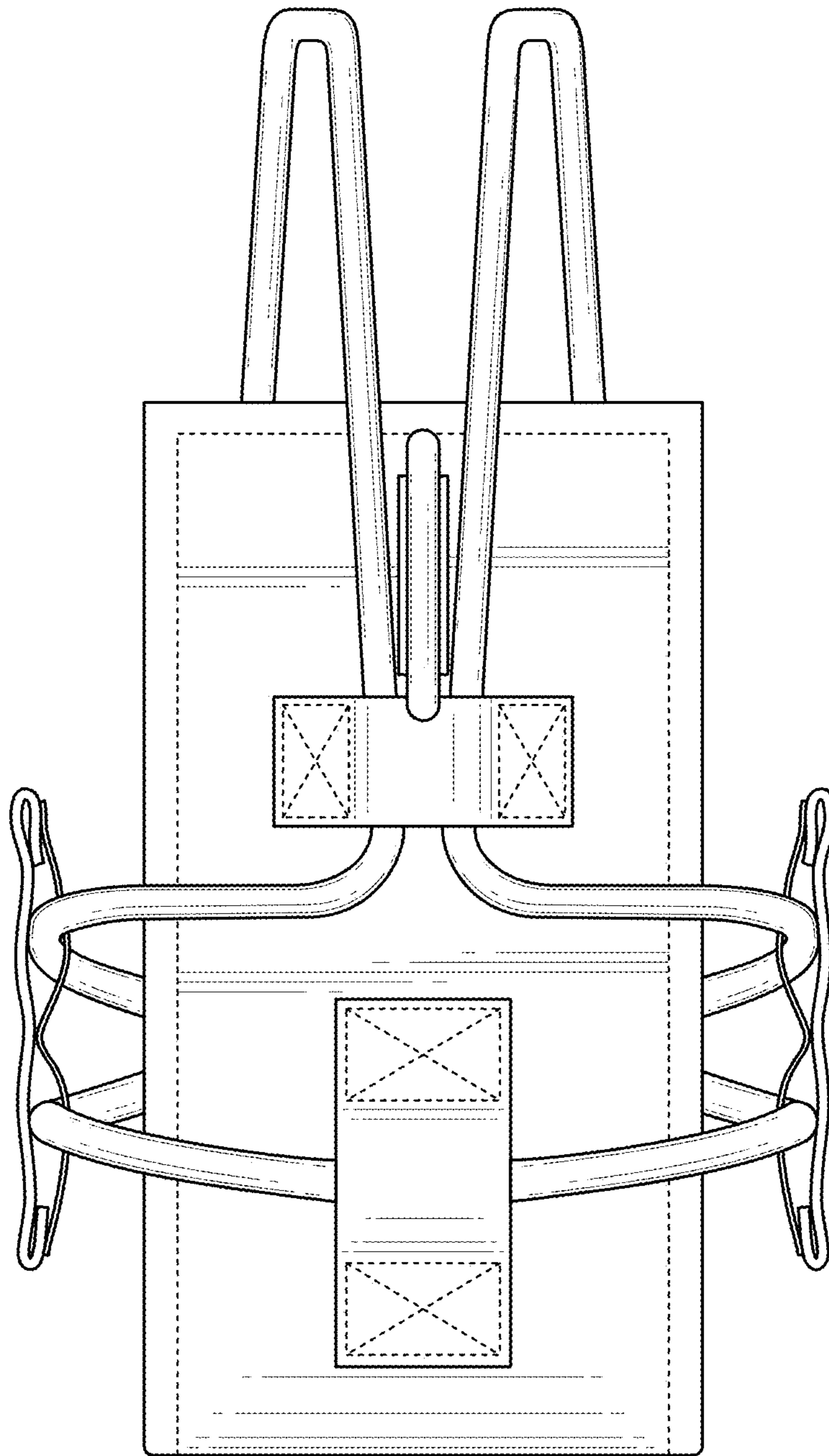


FIG. 4

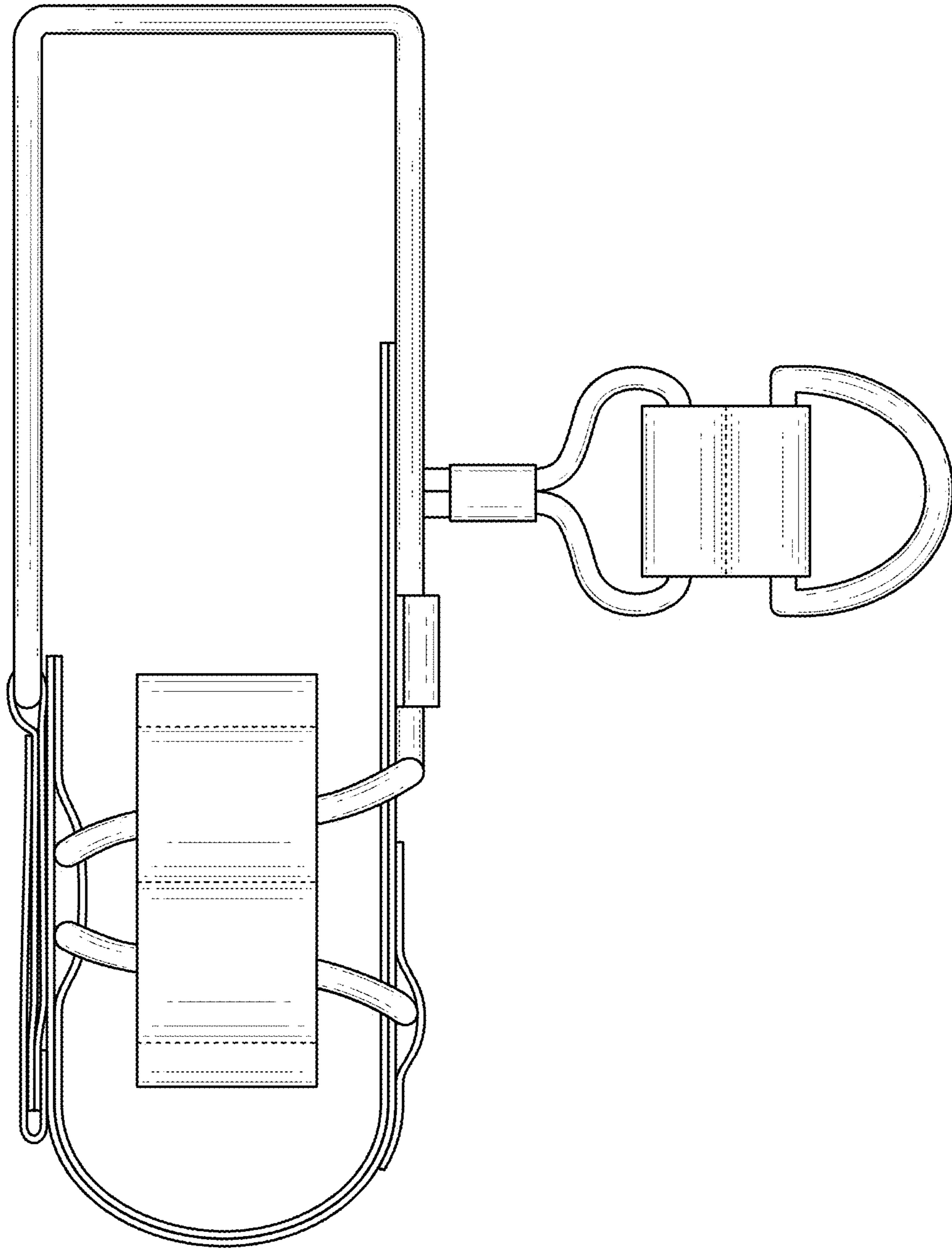


FIG. 5

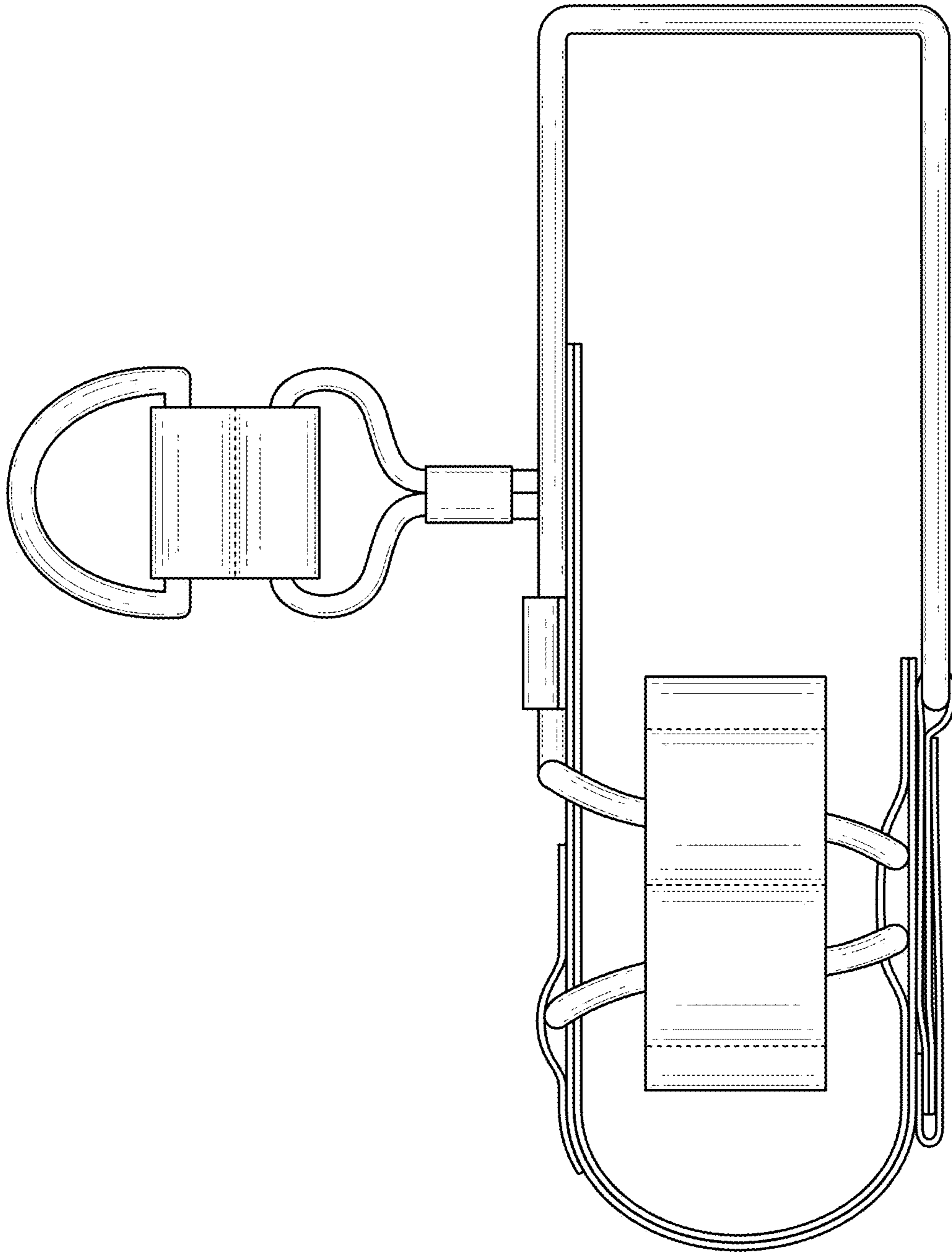


FIG. 6

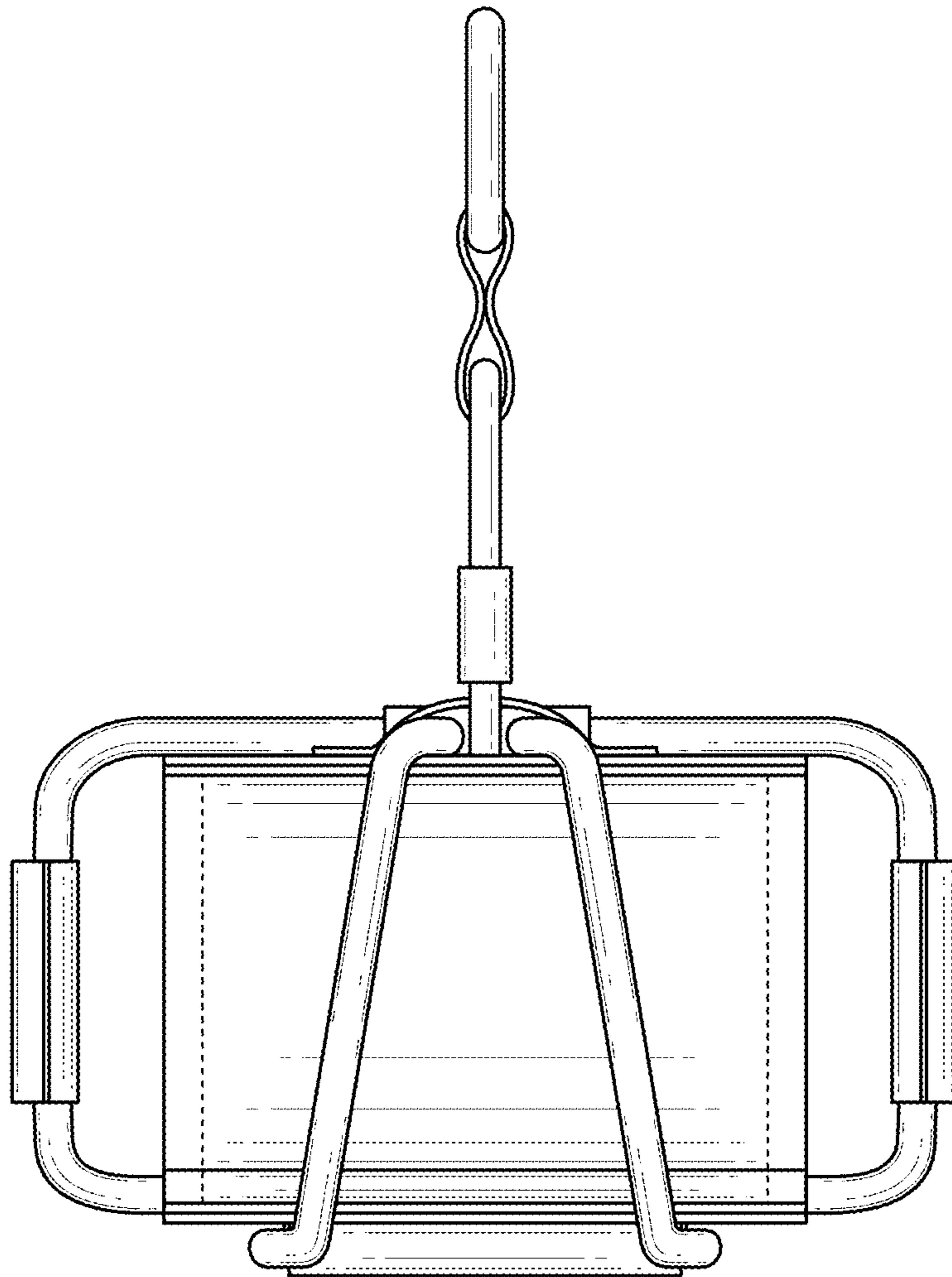


FIG. 7

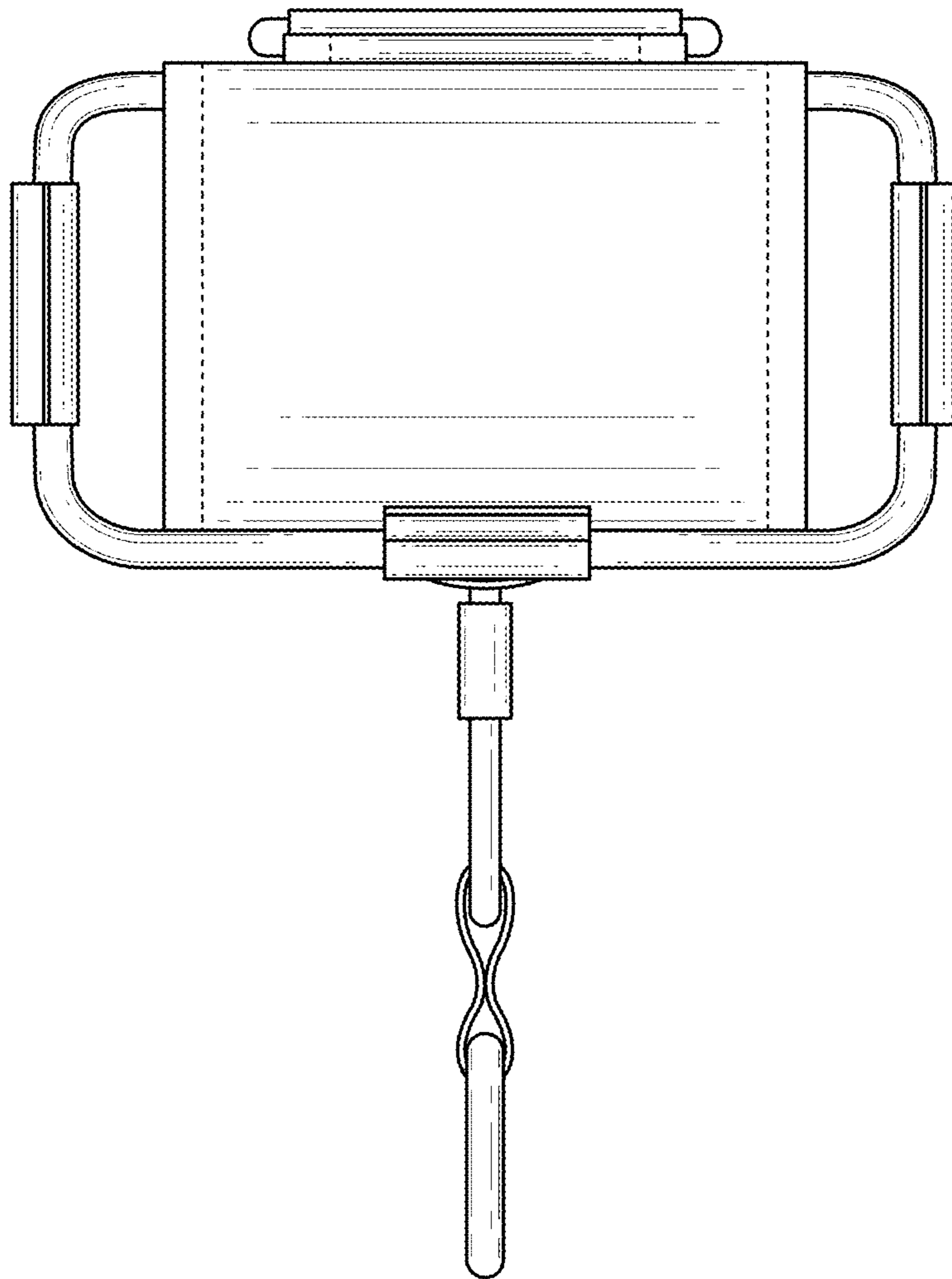


FIG. 8