



US00D955739S

(12) **United States Design Patent** (10) **Patent No.:** **US D955,739 S**
Virtue et al. (45) **Date of Patent:** **** Jun. 28, 2022**

(54) **TOOL CADDY** D522,751 S * 6/2006 Irwin B65D 25/2891
D3/315
(71) Applicant: **Virtue Concepts Pty Ltd**, Ivanhoe East D614,404 S * 4/2010 Brunner D3/304
(AU) 8,636,169 B2 * 1/2014 Sampaio B65D 25/2891
220/500

(72) Inventors: **Peter Wayne Virtue**, Ivanhoe East
(AU); **Steven Martinuzzo**, North
Melbourne (AU); **Andrew Fanning**,
North Melbourne (AU); **Nathan**
Scanlon, North Melbourne (AU); **Craig**
Burton, North Melbourne (AU)

(73) Assignee: **Virtue Concepts Pty Ltd**, Ivanhoe East
(AU)

(**) Term: **15 Years**

(21) Appl. No.: **29/713,670**

(22) Filed: **Nov. 18, 2019**

(30) **Foreign Application Priority Data**

May 20, 2019 (AU) 201912723

(51) **LOC (13) Cl.** **03-01**

(52) **U.S. Cl.**
USPC **D3/210**

(58) **Field of Classification Search**
USPC D2/210, 259, 260, 276, 280, 304, 307,
D2/309, 315; D3/210, 259, 260, 276,
D3/280, 304, 307, 309, 315
CPC B25H 3/00
See application file for complete search history.

(56) **References Cited**

U.S. PATENT DOCUMENTS

D364,039 S * 11/1995 Kruger D3/315
D420,221 S * 2/2000 Williams D3/315
6,315,120 B1 * 11/2001 Tally B25H 3/00
206/350

OTHER PUBLICATIONS

Performance Tool W88995 Portable Supply Caddy, announced Jul. 28, 2017 [online], [site visited Nov. 22, 2021]. Available from internet, URL: <<https://www.amazon.com/Performance-Tool-W88995-Portable-Magnetic/dp/B074CNFW25/>> (Year: 2017).*
Stanley STST41001 Portable Storage Tote Tray, announced Jul. 28, 2017 [online], [site visited Nov. 22, 2021]. Available from internet, URL: <<https://www.amazon.com/Stanley-STST41001-Portable-Storage-Tote/dp/B00IF6AWB8/>> (Year: 2017).*

* cited by examiner

Primary Examiner — Kevin K Rudzinski
Assistant Examiner — Amber J Rabie
(74) *Attorney, Agent, or Firm* — Dilworth & Barrese, LLP

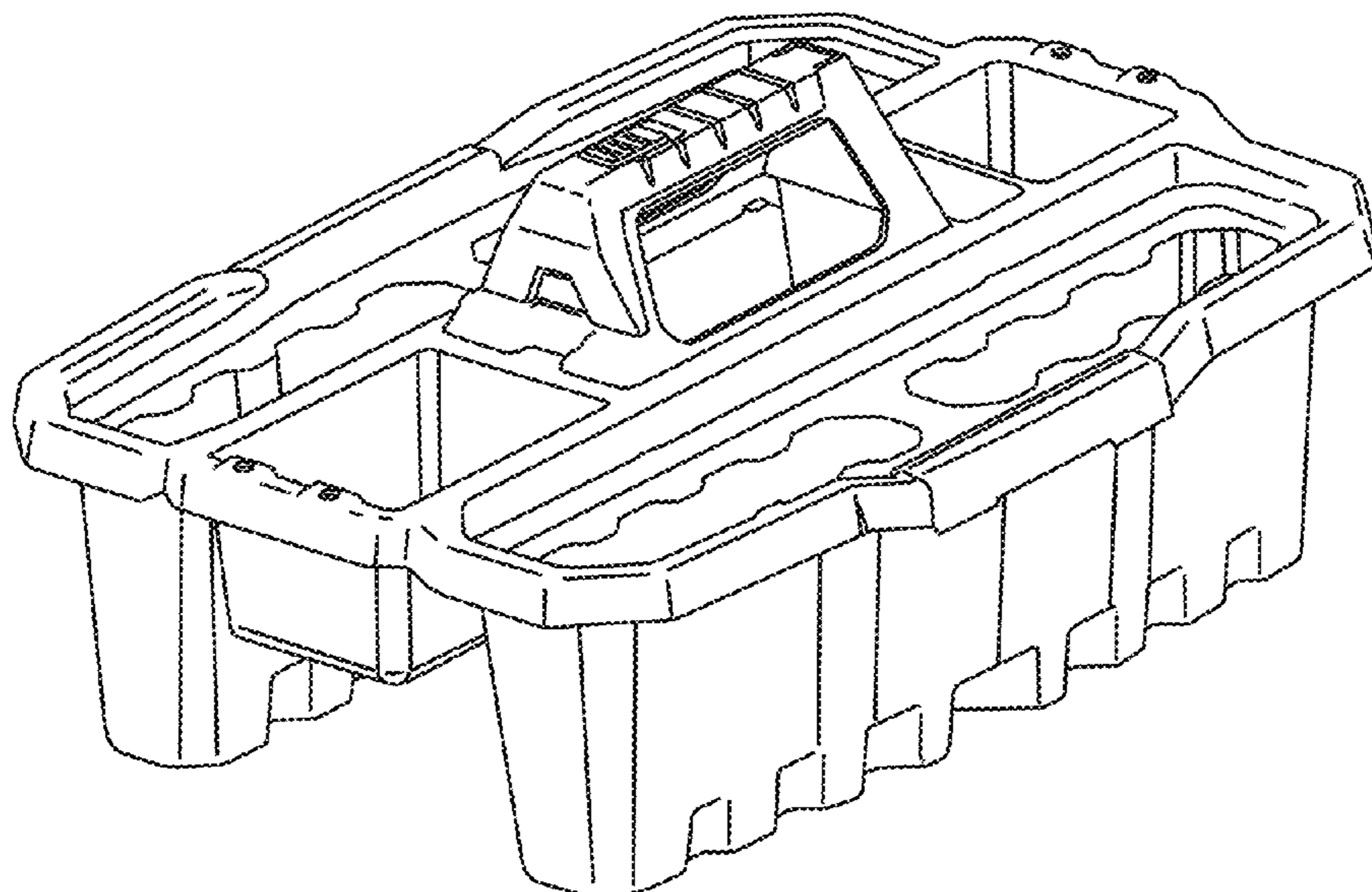
(57) **CLAIM**

The ornamental design for a tool caddy, as shown and described.

DESCRIPTION

FIG. 1 is a top, right side, front perspective view of the tool caddy showing our new design;
FIG. 2 is a bottom, left side, rear perspective view of the tool caddy of FIG. 1;
FIG. 3 is a top plan view of the tool caddy of FIGS. 1 and 2;
FIG. 4 is a right side elevational view of the tool caddy of FIGS. 1-3;
FIG. 5 is a left side elevational view of the tool caddy of FIGS. 1-4; and,
FIG. 6 is a rear elevational view of the tool caddy of FIGS. 1-5.

1 Claim, 6 Drawing Sheets



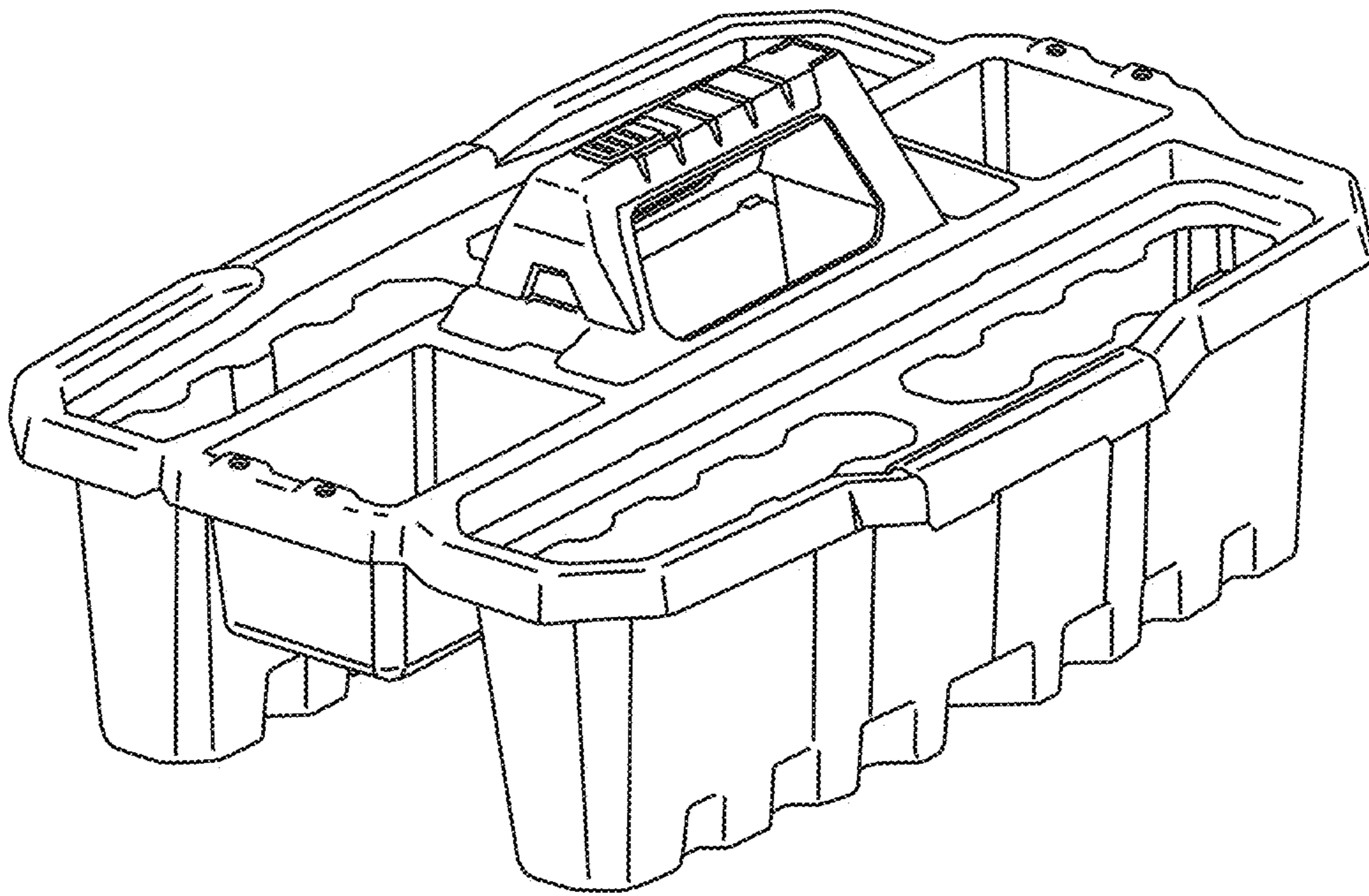


FIG. 1

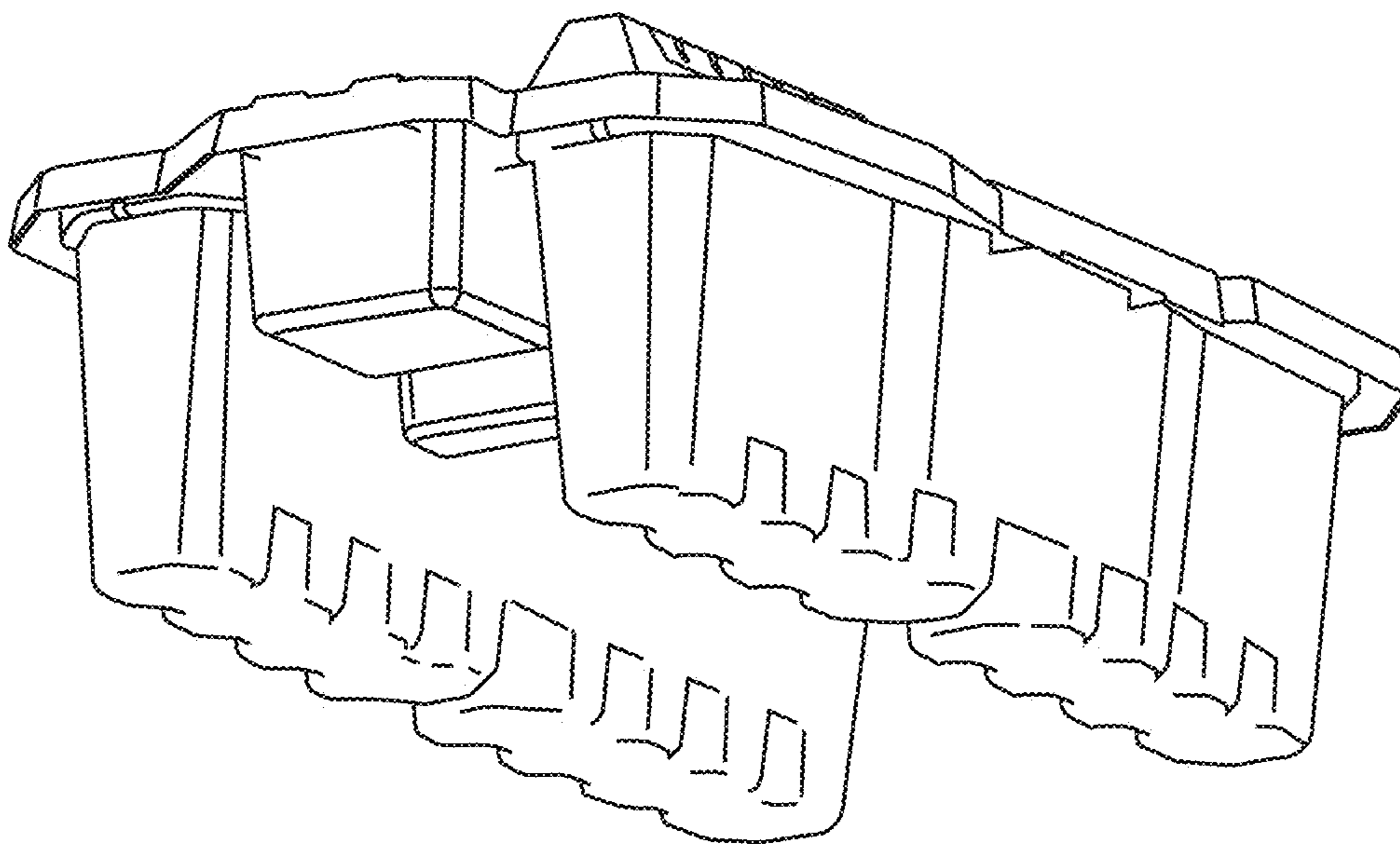


FIG. 2

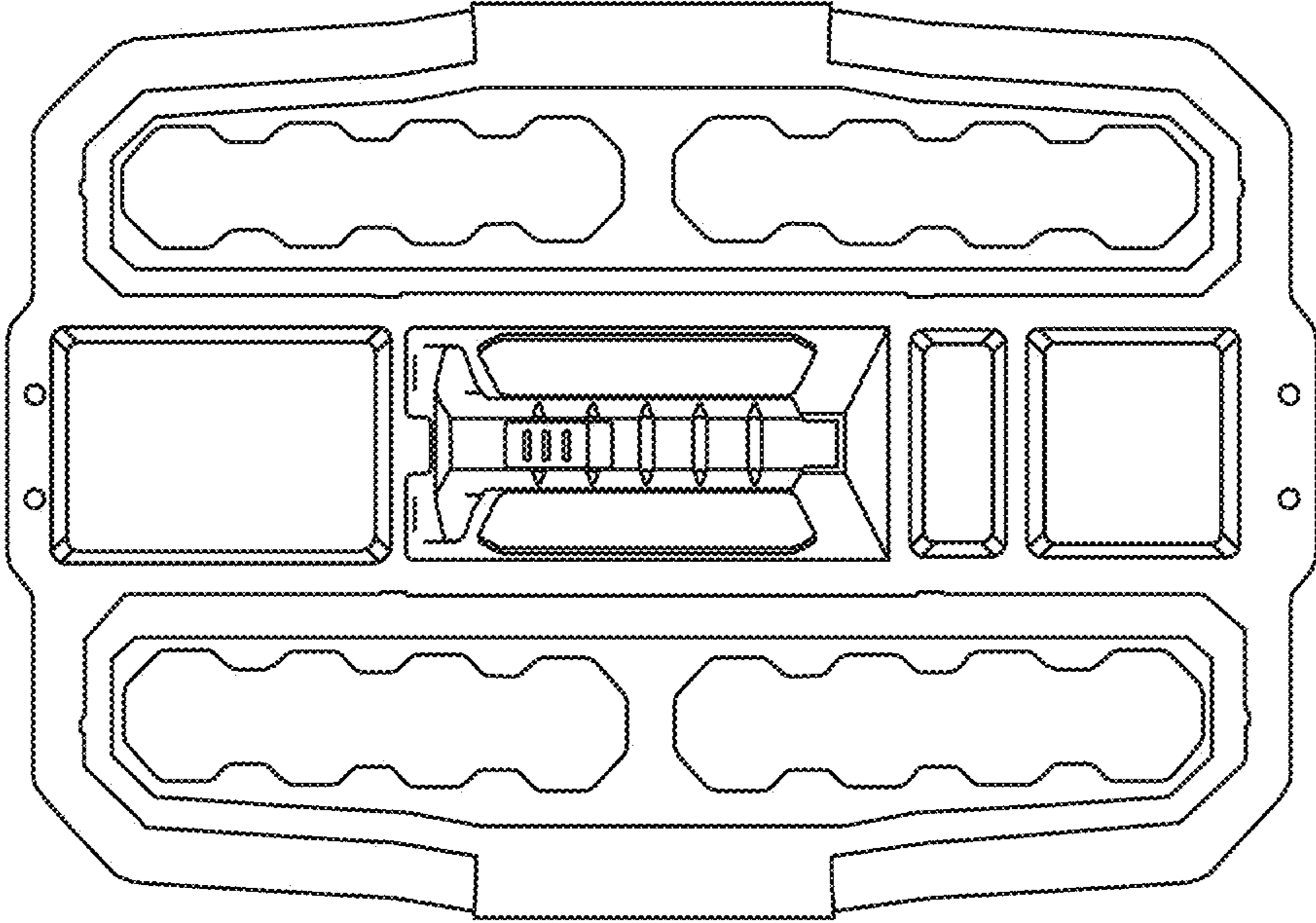


FIG. 3

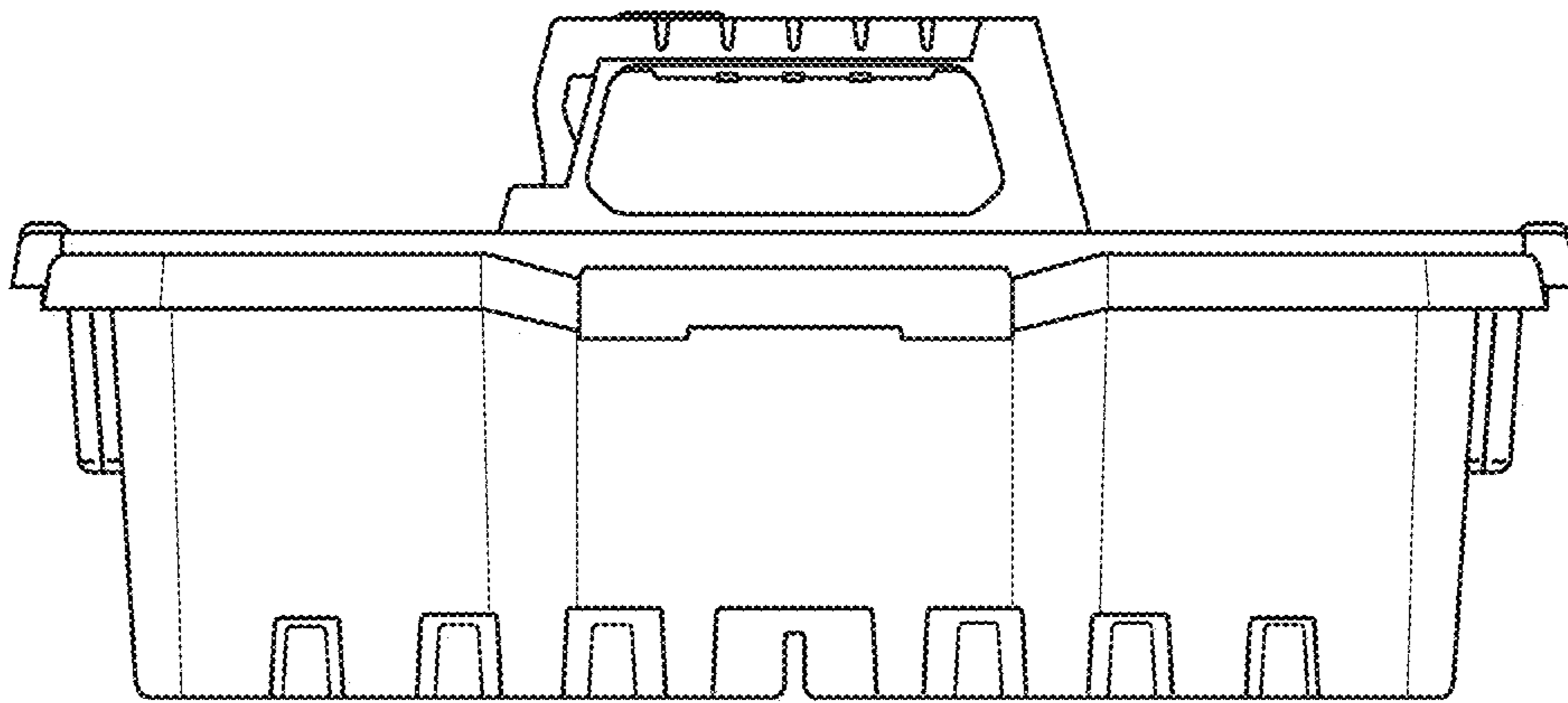


FIG. 4

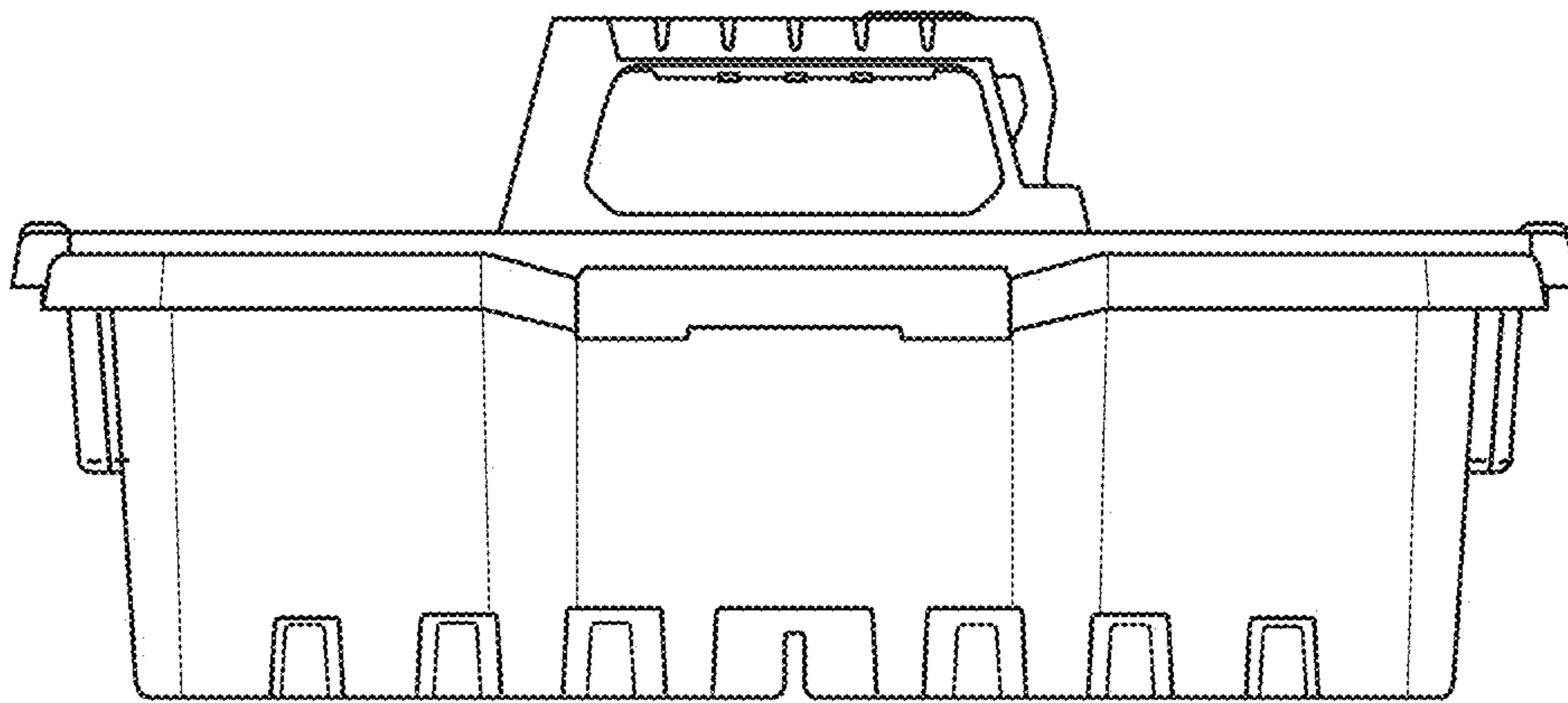


FIG. 5

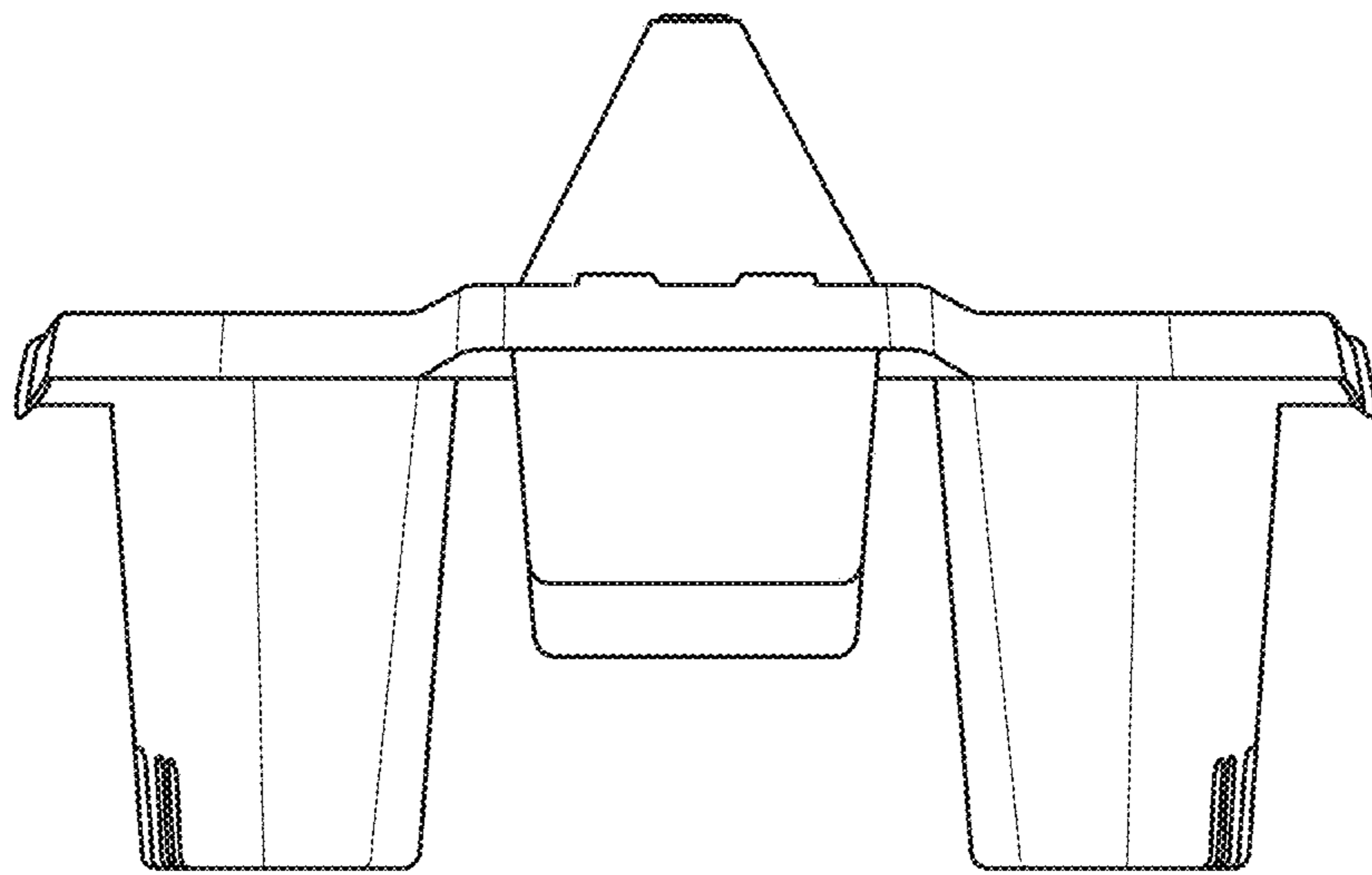


FIG. 6