



US00D955738S

(12) **United States Design Patent**  
**Ma**

(10) **Patent No.:** **US D955,738 S**  
(45) **Date of Patent:** **\*\* Jun. 28, 2022**

- (54) **UMBRELLA RUNNER**
- (71) Applicant: **Zhun-An Ma**, Ningbo (CN)
- (72) Inventor: **Zhun-An Ma**, Ningbo (CN)
- (\*\*) Term: **15 Years**
- (21) Appl. No.: **29/789,804**
- (22) Filed: **Oct. 19, 2021**

- 919,954 A ‡ 4/1909 Riehl et al. .... A45B 25/06  
135/28
- 941,952 A ‡ 11/1909 Riehl et al. .... A45B 25/06  
411/937.2
- 950,913 A ‡ 3/1910 Hartzell et al. .... A45B 25/02  
135/32

(Continued)

**FOREIGN PATENT DOCUMENTS**

- CN 202190859 ‡ 4/2012
- DE 3820573 ‡ 8/1989

(Continued)

**Related U.S. Application Data**

- (62) Division of application No. 29/712,584, filed on Nov. 8, 2019, now Pat. No. Des. 935,762.
- (51) **LOC (13) Cl.** ..... **03-03**
- (52) **U.S. Cl.**  
USPC ..... **D3/10**
- (58) **Field of Classification Search**  
USPC ..... D3/5, 6, 10, 12  
CPC ..... A45B 11/00; A45B 17/00; A45B 19/00;  
A45B 23/00; A45B 2023/0012; A45B  
2023/0031; A45B 2023/0037; A45B  
2023/0043; A45B 2023/005; A45B  
2023/0056; A45B 25/00; A45B 25/06;  
A45B 25/08; A45B 25/14  
See application file for complete search history.

**OTHER PUBLICATIONS**

Operation Manual Easy Sun Parasol Sunshade (Issue: Jul. 2004) pp. 1-17.‡

(Continued)

*Primary Examiner* — Steven J Czyz  
(74) *Attorney, Agent, or Firm* — Knobbe, Martens, Olson & Bear, LLP

(57) **CLAIM**

The ornamental design for an umbrella runner, as shown and described.

**DESCRIPTION**

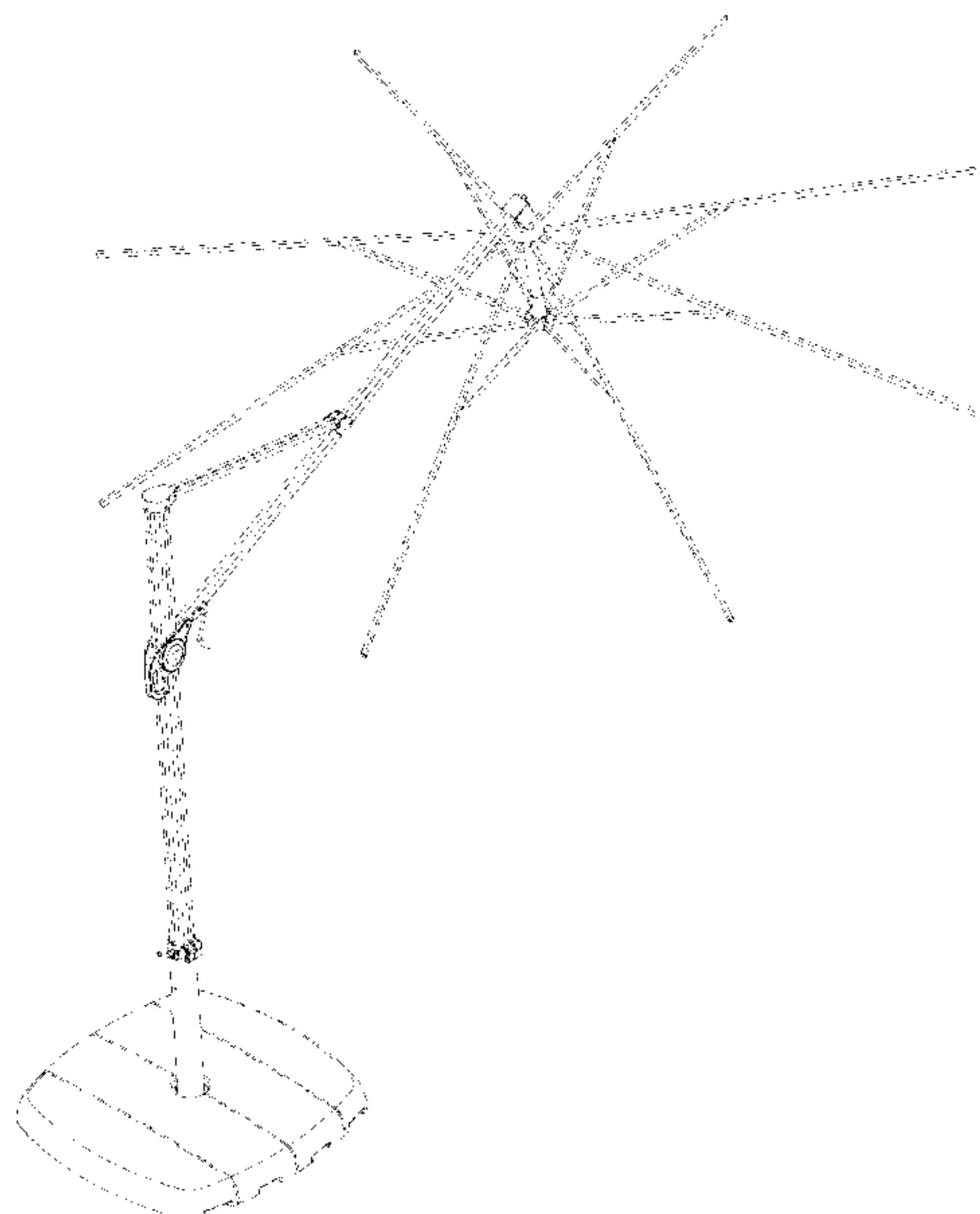
FIG. 1 is a perspective view of an umbrella runner, shown in use on an umbrella;  
FIG. 2 is a top, front, right side perspective view of the umbrella runner;  
FIG. 3 is a bottom, rear, left side perspective view thereof;  
FIG. 4 is a right side view thereof;  
FIG. 5 is a left side view thereof;  
FIG. 6 is a rear view thereof;  
FIG. 7 is a front view thereof;  
FIG. 8 is a top view thereof; and,  
FIG. 9 is a bottom view thereof.  
The broken lines depict portions of the article and environment that form no part of the claimed design.

(56) **References Cited**

**U.S. PATENT DOCUMENTS**

- 90,883 A ‡ 6/1869 Smith et al. .... A45B 25/06  
135/28
- D33,847 S ‡ 1/1901 Gaskill et al. .... D3/10
- 878,270 A ‡ 2/1908 Blake et al. .... A45B 25/06  
135/30
- 911,169 A ‡ 2/1909 Smith et al. .... A45B 25/06  
135/28

**1 Claim, 9 Drawing Sheets**



(56)

References Cited

U.S. PATENT DOCUMENTS

956,396 A †	4/1910	Mills et al. ....	A45B 19/10 135/25.31	5,349,975 A †	9/1994	Valdner .....	A45B 3/00 135/33.7
956,657 A †	5/1910	Wetteroth et al. ....	A45B 25/06 135/28	5,357,994 A †	10/1994	Chung .....	A45B 25/08 135/22
957,528 A †	5/1910	Wetteroth et al. ....	A45B 25/02 135/32	D360,522 S †	7/1995	Ko .....	D3/10
D45,227 S †	2/1914	Glauber et al. ....	D23/250	5,499,644 A †	3/1996	Geniele .....	E04H 12/223 135/21
1,136,887 A †	4/1915	Penn et al. ....	A45B 25/06 135/30	D372,854 S †	8/1996	Jimenez .....	D8/343
1,264,799 A †	8/1916	Howard et al. ....	A45B 25/06 135/30	D376,974 S †	12/1996	Chen .....	24/274 WB
1,235,296 A †	7/1917	Dillingham et al. ..	A45B 25/06 135/28	5,584,564 A †	12/1996	Phyle .....	F21V 33/006 135/910
1,243,594 A †	10/1917	Dillingham et al. ..	A45B 25/06 135/28	5,588,455 A †	12/1996	Kuo .....	A45B 25/06 135/39
1,255,627 A †	2/1918	Morrow et al. ....	A45B 25/06 135/30	5,611,364 A †	3/1997	Woods .....	A45B 11/00 135/21
1,268,354 A †	6/1918	Howard et al. ....	A45B 25/08 135/38	5,655,557 A †	8/1997	Martin .....	A45B 25/02 135/15
D90,772 S †	9/1933	Kasch et al. ....	D8/DIG. 2	5,740,823 A †	4/1998	Lin .....	A45B 25/16 135/22
D127,735 S †	6/1941	Dreyfuss et al. ....	74/553	5,746,235 A †	5/1998	Lin .....	A45B 25/02 135/32
2,447,972 A †	8/1948	Weinert .....	F42B 10/48 273/362	5,785,069 A †	7/1998	Glatz .....	A45B 25/14 135/21
2,469,637 A †	5/1949	Evans .....	A45B 25/06 135/30	D397,054 S †	8/1998	Brantley .....	D10/114.9
2,475,406 A †	7/1949	Russell .....	A45B 17/00 74/53	5,794,637 A †	8/1998	Figuroa .....	A45B 25/22 135/27
D162,678 S †	3/1951	Muller-Munk et al. ....	D23/254	D398,443 S †	9/1998	Bolle .....	D3/5
D167,619 S †	9/1952	Coran et al. ....	D8/312	5,809,734 A †	9/1998	Turner .....	E04C 3/36 52/843
2,762,383 A †	9/1956	Wittman .....	A45B 25/06 135/28	D400,777 S †	11/1998	Carsello .....	D8/307
2,937,653 A †	5/1960	Danciart .....	A45B 25/08 135/37	5,884,645 A †	3/1999	Chen .....	A45B 19/04 135/25.1
D190,597 S †	6/1961	Nelson et al. ....	D23/250	D408,621 S †	4/1999	Kuo .....	D3/10
3,120,238 A †	2/1964	Glatz .....	A45B 23/00 135/21	5,899,210 A †	5/1999	Letherby .....	A45D 29/04 132/73
3,145,720 A †	8/1964	Torii .....	A45B 17/00 403/100	D410,862 S †	6/1999	Mihov .....	D10/111
3,424,180 A †	1/1969	Giancarlo .....	A45B 25/02 135/30	5,937,882 A †	8/1999	Harbaugh .....	A45B 25/14 135/21
3,856,032 A †	12/1974	Schafer .....	A45B 19/06 135/38	5,960,806 A †	10/1999	Steiner .....	A45B 23/00 135/21
D265,498 S †	7/1982	Paul .....	D23/242	6,014,980 A †	1/2000	Glatz .....	A45B 23/00 135/21
4,368,749 A †	1/1983	Lindler .....	A45B 25/10 135/30	6,076,540 A †	6/2000	You .....	A45B 25/02 135/22
D276,838 S †	12/1984	Hill .....	D23/250	D434,215 S †	11/2000	Lin .....	D3/6
D278,029 S †	3/1985	Suponitsky .....	D8/397	D434,476 S †	11/2000	Meda .....	D23/250
4,576,191 A †	3/1986	Schultes .....	A45B 25/02 135/30	6,145,523 A †	11/2000	Lo .....	A45B 25/02 135/39
4,586,525 A †	5/1986	Glatz .....	A45B 23/00 135/21	6,152,156 A *	11/2000	Tung .....	A45B 17/00 135/21
4,622,987 A †	11/1986	Redl .....	A45B 17/00 135/20.3	D434,556 S †	12/2000	Lin .....	D3/6
4,674,523 A †	6/1987	Glatz .....	A45B 23/00 135/21	6,192,907 B1 †	2/2001	Wu .....	A45B 25/08 135/28
4,697,606 A †	10/1987	Ma .....	A45B 25/14 135/909	D438,783 S †	3/2001	Elliott .....	F16L 23/10 D8/396
4,811,670 A †	3/1989	Kolvites .....	A47B 57/265 211/187	6,220,261 B1 †	4/2001	Glatz .....	A45B 17/00 135/21
4,878,509 A †	11/1989	Tung .....	A45B 17/00 135/117	6,230,728 B1 †	5/2001	Reese .....	E04H 15/28 135/98
5,002,081 A †	3/1991	Stromeyer .....	A45B 11/00 135/21	6,247,483 B1 †	6/2001	Tung .....	A45B 25/08 135/38
5,029,596 A †	7/1991	Tung .....	A45B 17/00 135/98	6,298,867 B1 †	10/2001	Chang .....	A45B 25/10 135/37
D320,111 S †	9/1991	Ma .....	D3/10	6,305,394 B1 *	10/2001	Reese .....	A45B 17/00 135/21
5,050,627 A †	9/1991	Hengtzu .....	A45B 25/02 135/37	6,311,705 B1 †	11/2001	Ma .....	A45B 17/00 248/514
D321,779 S †	11/1991	Ma .....	D3/10	6,311,706 B1 †	11/2001	Sato .....	A45B 25/06 135/28
5,144,780 A †	9/1992	Gielsing .....	F16B 7/04 52/298	6,311,707 B1 †	11/2001	Wu .....	A45B 25/06 135/31
D344,786 S †	3/1994	Short .....	D8/311	6,314,976 B1 †	11/2001	Clarke .....	A45B 25/22 403/217
				6,354,042 B1 †	3/2002	Kuo .....	A45B 25/06 52/28



(56)

References Cited

U.S. PATENT DOCUMENTS

6,371,141 B1 †	4/2002	Lin	.....	A45B 25/08	7,398,790 B2 *	7/2008	Glatz	.....	A45B 23/00
				135/39					135/20.1
6,371,686 B1 †	4/2002	Wu	.....	F16B 7/105	D577,423 S †	9/2008	Dole	.....	D23/265
				135/25	7,546,845 B2 †	6/2009	Prusmack	.....	E04H 1/1272
6,386,214 B1 †	5/2002	Clarke	.....	A45B 25/14					135/147
				248/533	7,556,051 B2 *	7/2009	Lai	.....	A45B 23/00
6,386,215 B1 †	5/2002	Chang	.....	A45B 25/14					135/21
				135/38	D597,822 S *	8/2009	Olsen	.....	D8/356
6,412,506 B1 †	7/2002	Reese	.....	E04H 12/2238	D600,326 S †	9/2009	Gibb	.....	D23/265
				135/21	D602,686 S †	10/2009	Patzak	.....	D3/10
6,422,251 B1 †	7/2002	Tseng	.....	A45B 25/16	7,647,936 B1 †	1/2010	Chen	.....	A45B 25/06
				135/39					135/38
6,435,444 B1 †	8/2002	Lin	.....	B65H 75/4428	D609,453 S *	2/2010	Liu	.....	D3/5
				242/395	7,665,477 B1 †	2/2010	Hathaway	.....	A45B 25/006
6,478,037 B2 †	11/2002	Tung	.....	A45B 25/14					135/20.1
				135/21	7,686,024 B1 †	3/2010	Lai	.....	A45B 25/02
6,571,813 B2 †	6/2003	Lin	.....	A45B 19/04					135/29
				135/28	7,703,464 B2 †	4/2010	Ma	.....	A45B 25/02
6,575,182 B2 †	6/2003	Tung	.....	A45B 25/14					135/28
				135/20.1	7,708,022 B2 †	5/2010	Joen-an Ma	.....	A45B 23/00
6,575,183 B2 †	6/2003	Tung	.....	A45B 17/00					135/21
				135/98	D621,600 S *	8/2010	He	.....	D3/5
D477,458 S †	7/2003	Goldwitz	.....	D3/10	D623,396 S †	9/2010	He	.....	D3/10
6,588,438 B1 *	7/2003	Steiner	.....	A45B 23/00	D626,324 S †	11/2010	Ma	.....	D3/10
				135/21	D631,243 S †	1/2011	Forthuber	.....	D3/10
D478,416 S †	8/2003	Clarke	.....	D3/5	7,861,734 B2 †	1/2011	Ma	.....	A45B 25/14
6,619,306 B2 †	9/2003	Ma	.....	A45B 23/00					135/38
				135/21	7,891,367 B2 †	2/2011	Ma	.....	A45B 25/02
6,662,815 B2 †	12/2003	Tung	.....	A45B 17/00					135/19.5
				135/21	7,900,643 B2 †	3/2011	Ma	.....	E04H 15/28
6,732,753 B2 †	5/2004	Chang	.....	A45B 25/14					135/28
				242/395	7,913,707 B2 *	3/2011	Lai	.....	A45B 17/00
6,758,229 B2 †	7/2004	Wang	.....	A45B 25/08					135/21
				135/42	7,913,708 B2 †	3/2011	Yung	.....	A45B 25/16
D497,478 S †	10/2004	Clarke	.....	D3/5					135/22
D497,479 S †	10/2004	Yu	.....	D3/5	D638,622 S *	5/2011	He	.....	D3/5
6,837,255 B2 †	1/2005	Bunch	.....	A45B 3/04	D644,832 S †	9/2011	Patzak	.....	D3/10
				135/910	D649,641 S †	11/2011	Guttulsrud	.....	D24/143
6,851,823 B2 †	2/2005	Bilotti	.....	F21V 21/116	8,061,375 B2 †	11/2011	Ma	.....	A45B 25/02
				362/102					403/171
D503,035 S †	3/2005	Ko	.....	D3/5	8,082,935 B2 †	12/2011	Ma	.....	A45B 25/02
D503,272 S †	3/2005	Machin	.....	D3/10					135/28
6,889,699 B2 †	5/2005	Clarke	.....	A45B 23/00	8,096,310 B2 †	1/2012	Clarke	.....	A45B 25/22
				135/38					135/27
6,923,193 B2 †	8/2005	Chen	.....	A45B 23/00	D662,064 S †	6/2012	Natoli	.....	D13/154
				135/21	D668,446 S †	10/2012	Patzak	.....	D3/10
6,941,960 B2 †	9/2005	Huang	.....	A45B 25/08	D669,555 S †	10/2012	Jaworski	.....	D23/213
				135/39	8,443,819 B2 †	5/2013	Beaulieu	.....	A45B 25/18
D513,471 S †	1/2006	Sato	.....	D8/382					135/32
D515,222 S †	2/2006	Kieffer	.....	D25/122	D687,102 S †	7/2013	Chandaria	.....	D19/69
7,000,624 B2 †	2/2006	Chang	.....	A45B 3/04	D698,320 S †	1/2014	Condo	.....	D13/154
				362/555	D700,835 S †	3/2014	Langlois	.....	D8/396
D518,629 S †	4/2006	Ma	.....	D3/5	D711,730 S †	8/2014	McKiernan	.....	D8/396
D525,721 S †	7/2006	Landes	.....	D25/126	8,807,513 B2 *	8/2014	Volin	.....	A45B 17/00
7,082,953 B2 †	8/2006	Liu	.....	A45B 25/08					248/521
				135/38	D719,343 S †	12/2014	Ma	.....	D3/10
7,089,950 B2 †	8/2006	Lin	.....	A45B 25/08	8,961,340 B2 †	2/2015	Boatwright	.....	A63B 60/42
				135/38					473/568
7,134,442 B2 †	11/2006	Ma	.....	A45B 25/18	D738,609 S †	9/2015	Ma	.....	D3/10
				135/20.1	D738,610 S *	9/2015	Ma	.....	D3/10
D539,632 S †	4/2007	Ma	.....	D8/307	D741,701 S †	10/2015	McNeil	.....	D8/356
D545,184 S †	6/2007	Hanamura	.....	D8/397	9,220,325 B2 *	12/2015	Ma	.....	A45B 23/00
D549,285 S †	8/2007	Chen	.....	D19/187	D748,464 S †	2/2016	Kury	.....	D8/397
7,293,573 B2 †	11/2007	Clarke	.....	A45B 25/14	D749,835 S †	2/2016	Whitaker	.....	D3/10
				135/98	D758,177 S †	6/2016	Riccione	.....	D8/396
D558,444 S †	1/2008	Ma	.....	D3/6	D760,486 S †	7/2016	Patzak	.....	D3/10
7,318,444 B2 †	1/2008	Clarke	.....	A45B 25/06	D766,711 S †	9/2016	Babbage	.....	D8/394
				403/217	D770,886 S †	11/2016	Whitaker	.....	D8/394
7,328,715 B2 †	2/2008	Neubardt	.....	A45B 25/14	D781,787 S †	3/2017	Spiel	.....	D13/149
				135/22	D782,179 S †	3/2017	Ma	.....	D3/5
7,341,068 B2 †	3/2008	Liu	.....	A45B 23/00	D808,634 S *	1/2018	Ma	.....	A45B 17/00
				135/21					D3/10
					D808,635 S *	1/2018	Ma	.....	A45B 17/00
									D3/10
					D808,636 S *	1/2018	Ma	.....	D3/10
					D809,283 S *	2/2018	Ma	.....	D3/10
					D809,284 S *	2/2018	Ma	.....	D3/10



(56)

References Cited

U.S. PATENT DOCUMENTS

D809,775 S \* 2/2018 Ma ..... A45B 23/00  
D3/10  
D814,172 S \* 4/2018 Ma ..... A45B 23/00  
D3/10  
D814,782 S \* 4/2018 Ma ..... D3/10  
D815,828 S \* 4/2018 Wang ..... D3/12  
D820,581 S \* 6/2018 Ma ..... D3/10  
10,017,955 B2 \* 7/2018 Ye ..... A45B 23/00  
10,136,709 B2 \* 11/2018 Ma ..... A45B 23/00  
D834,807 S \* 12/2018 Tellings ..... D3/12  
D847,487 S † 5/2019 Ma ..... D3/10  
D848,139 S † 5/2019 Ma ..... D3/10  
D851,390 S \* 6/2019 Wang ..... D3/12  
10,524,550 B2 \* 1/2020 Zhu ..... A45B 25/18  
10,537,161 B1 \* 1/2020 Volin ..... A45B 23/00  
D878,033 S \* 3/2020 Weng ..... D3/12  
D886,444 S \* 6/2020 Tellings ..... D3/12  
10,932,536 B2 \* 3/2021 Kong ..... A45B 17/00  
D935,762 S \* 11/2021 Ma ..... D3/10  
2002/0083969 A1 † 7/2002 Tung ..... A45B 23/00  
135/96  
2002/0129843 A1 † 9/2002 Wang ..... A45B 25/02  
135/31  
2002/0139405 A1 † 10/2002 Lee ..... A45B 25/06  
135/37  
2003/0015230 A1 † 1/2003 Glatz ..... A45B 23/00  
135/21  
2003/0140955 A1 \* 7/2003 Chou ..... E04H 15/58  
135/98  
2004/0031513 A1 † 2/2004 Bunch ..... E04H 12/2238  
135/16  
2004/0055627 A1 † 3/2004 P. Moga ..... A45B 25/143  
135/16  
2004/0055628 A1 † 3/2004 Yu ..... A45B 23/00  
135/20.1  
2004/0069333 A1 † 4/2004 Ma ..... A45B 17/00  
135/20.1  
2004/0154525 A1 † 8/2004 Wirth ..... B64F 1/20  
116/1  
2004/0182429 A1 † 9/2004 Chen ..... A45B 25/14  
135/15.1  
2004/0206382 A1 † 10/2004 Clarke ..... A45B 25/06  
135/28  
2004/0206383 A1 † 10/2004 Clarke ..... A45B 25/22  
135/41  
2005/0016571 A1 \* 1/2005 Wu ..... A45B 25/165  
135/20.1  
2005/0098200 A1 † 5/2005 Su ..... A45B 19/00  
135/38  
2005/0115599 A1 † 6/2005 You ..... A45B 25/02  
135/29  
2005/0194027 A1 † 9/2005 Ko ..... A45B 25/08  
135/39  
2005/0241687 A1 † 11/2005 Ko ..... A45B 25/06  
135/39  
2006/0005867 A1 † 1/2006 Chang ..... A45B 3/04  
135/910  
2006/0151019 A1 † 7/2006 Lo ..... A45B 25/165  
135/37  
2007/0113878 A1 † 5/2007 Ko ..... A45B 25/06  
135/38  
2008/0066793 A1 † 3/2008 Ma ..... A45B 25/02  
135/28  
2008/0202570 A1 † 8/2008 Clarke ..... A45B 25/06  
135/28  
2009/0007945 A1 † 1/2009 Ma ..... A45B 3/02  
135/16

2009/0014041 A1 † 1/2009 Li ..... A45B 3/00  
381/87  
2009/0260664 A1 † 10/2009 Ma ..... A45B 25/02  
135/19.5  
2010/0132165 A1 † 6/2010 Shor ..... F16L 37/1225  
24/19  
2010/0139724 A1 † 6/2010 Lai ..... A45B 25/10  
135/29  
2010/0139725 A1 † 6/2010 Lai ..... A45B 25/02  
135/29  
2011/0017249 A1 † 1/2011 Ma ..... F16G 11/106  
135/15.1  
2011/0061694 A1 † 3/2011 Vanderminden, Sr. ....  
A45B 19/00  
135/20.3  
2011/0132418 A1 † 6/2011 Ma ..... F16G 11/105  
135/37  
2011/0209732 A1 † 9/2011 Ma ..... A45B 25/02  
135/19.5  
2011/0214705 A1 † 9/2011 Ma ..... E04H 15/28  
135/29  
2011/0277800 A1 † 11/2011 Tung ..... A45B 19/04  
135/20.3  
2012/0227221 A1 † 9/2012 Whitaker ..... F16B 2/10  
29/525.08  
2013/0152984 A1 † 6/2013 Chou ..... A45B 25/06  
135/15.1  
2013/0276843 A1 † 10/2013 Ma ..... A45B 25/02  
29/25  
2014/0020725 A1 † 1/2014 Ma ..... D06F 57/04  
135/29  
2014/0096803 A1 † 4/2014 Siegenthaler ..... A45B 25/06  
135/22  
2014/0251394 A1 † 9/2014 Ma ..... A45B 25/10  
135/19.5  
2020/0141150 A1 \* 5/2020 Ma ..... A45B 23/00  
2021/0161262 A1 \* 6/2021 Jin ..... A45B 25/14  
2021/0386166 A1 \* 12/2021 Luo ..... A45B 25/02

FOREIGN PATENT DOCUMENTS

FR 2672781 A3 † 8/1992  
JP 2006-110317 A † 4/2006  
JP 2007-222591 † 9/2007  
JP 2008-142310 † 6/2008  
WO WO 2005/058089 † 6/2005

OTHER PUBLICATIONS

Treasure Garden, Inc., Collections 2015, Product Catalog, including front and rear covers. †  
Activa Leisure, 2010 Product Catalog. †  
Rectangular Cantilever Outdoor Umbrella, 11'x10' Rectangular Cantilever Outdoor Umbrella—Rustproof Aluminum Frame, Bronze , potterybarn.com, <https://www.potterybarn.com/products/round-cantilever-umbrella-canopy-pole-set-sunbrella-solid/> (Year: 2021). †  
Allen + Roth Offset Square Umbrella, lowes.com, <https://www.lowes.ca/product/patio-umbrellas/allen-roth-offset-square-umbrella-aluminum-10-ft-grey-808561> (Year: 2021). †  
3m Round Cantilever Umbrella, coolaroo.co.za, <https://coolaroo.co.za/product/cantilever-umbrella-3m-round/> (Year: 2021). †  
3M Round Cantilever Umbrella, coolaroo.co.za, <https://collaroo.co.za/product/cantilever-umbrella-3m-round/> (Year: 2021).  
Allen + Roth Offset Square Umbrella, lowes.com, <https://www.lowes.ca/product/patio-umbrellas/allen-roth-offset-square-umbrella-aluminum-10-ft-gray-808561> (Year: 2021).

\* cited by examiner  
† imported from a related application

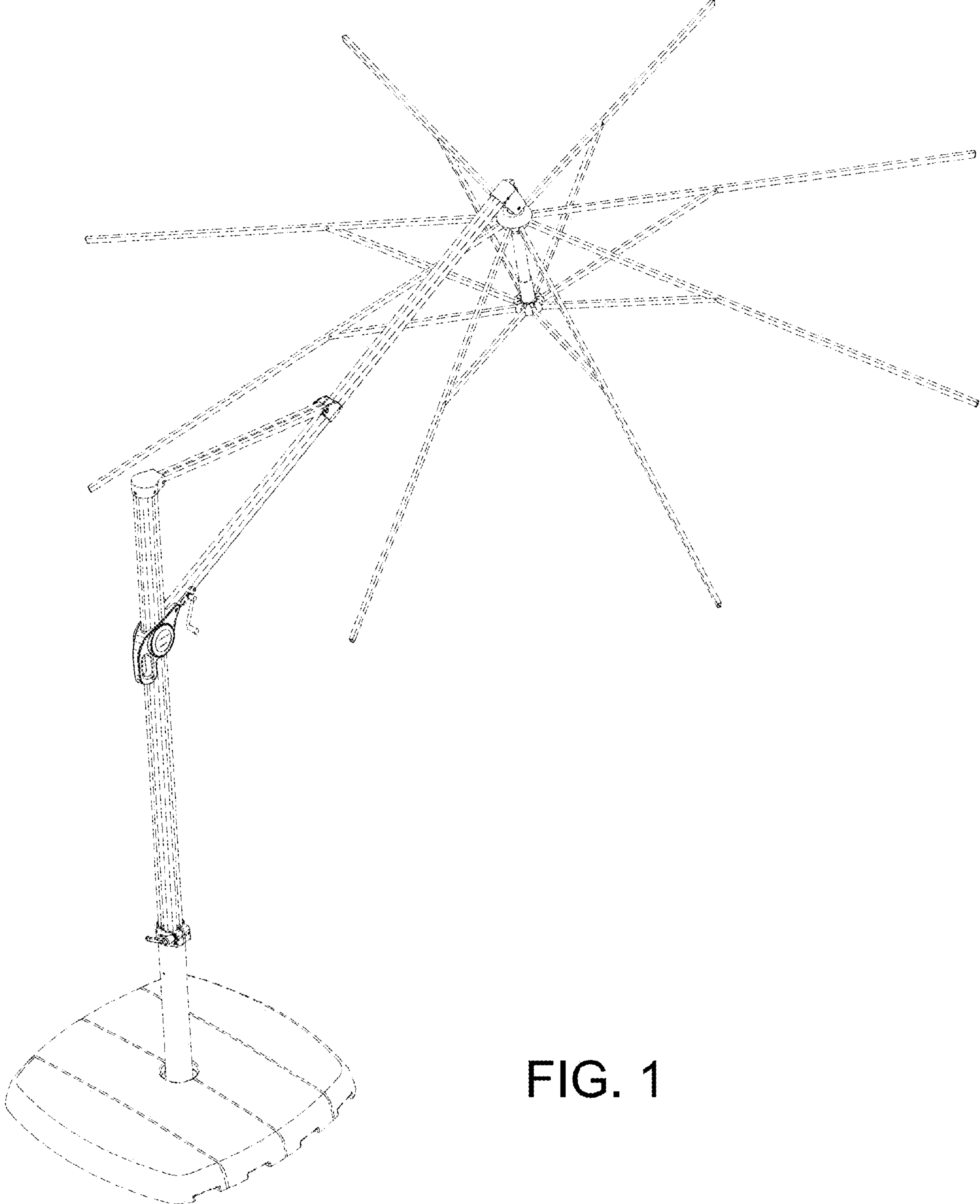


FIG. 1

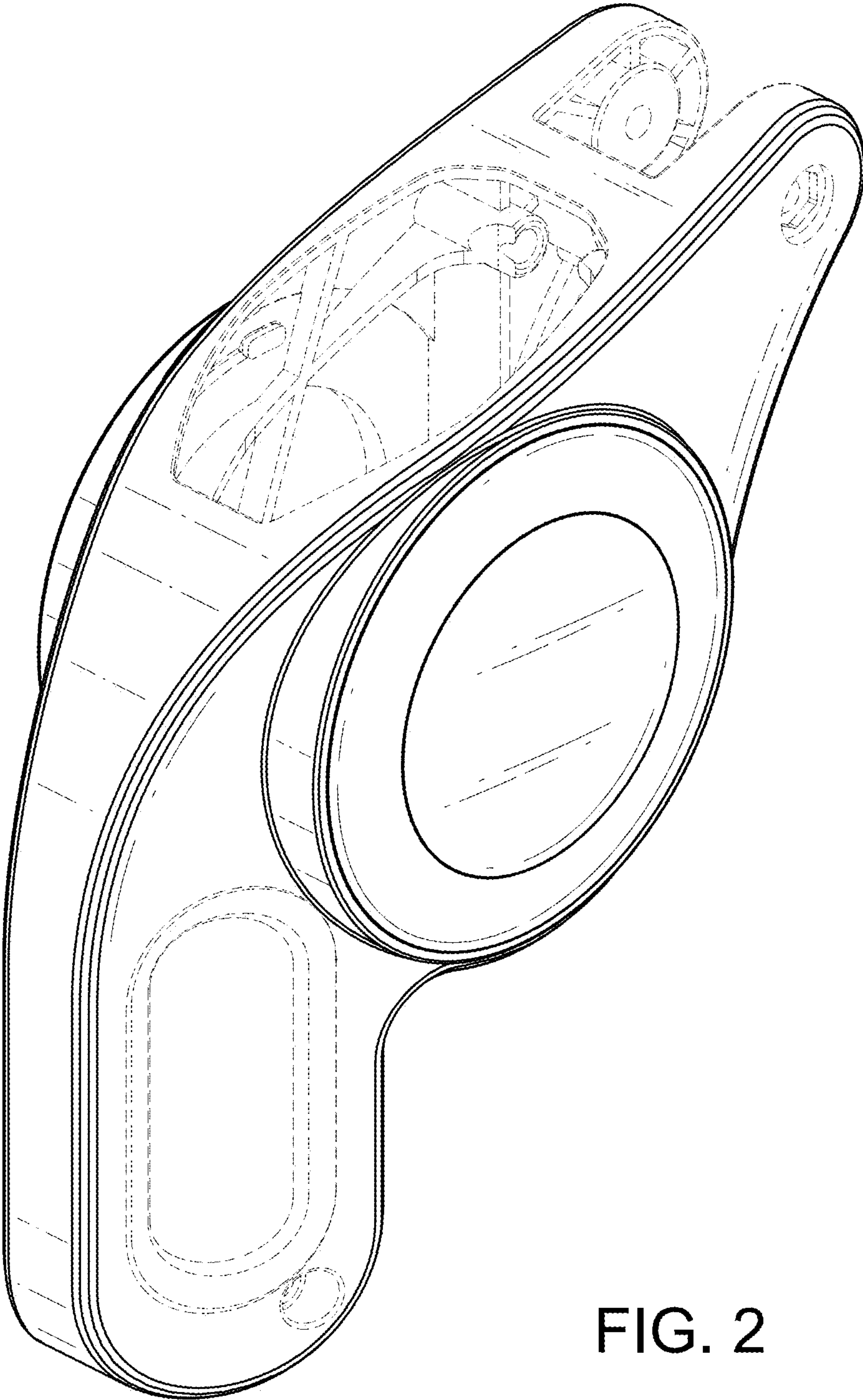


FIG. 2



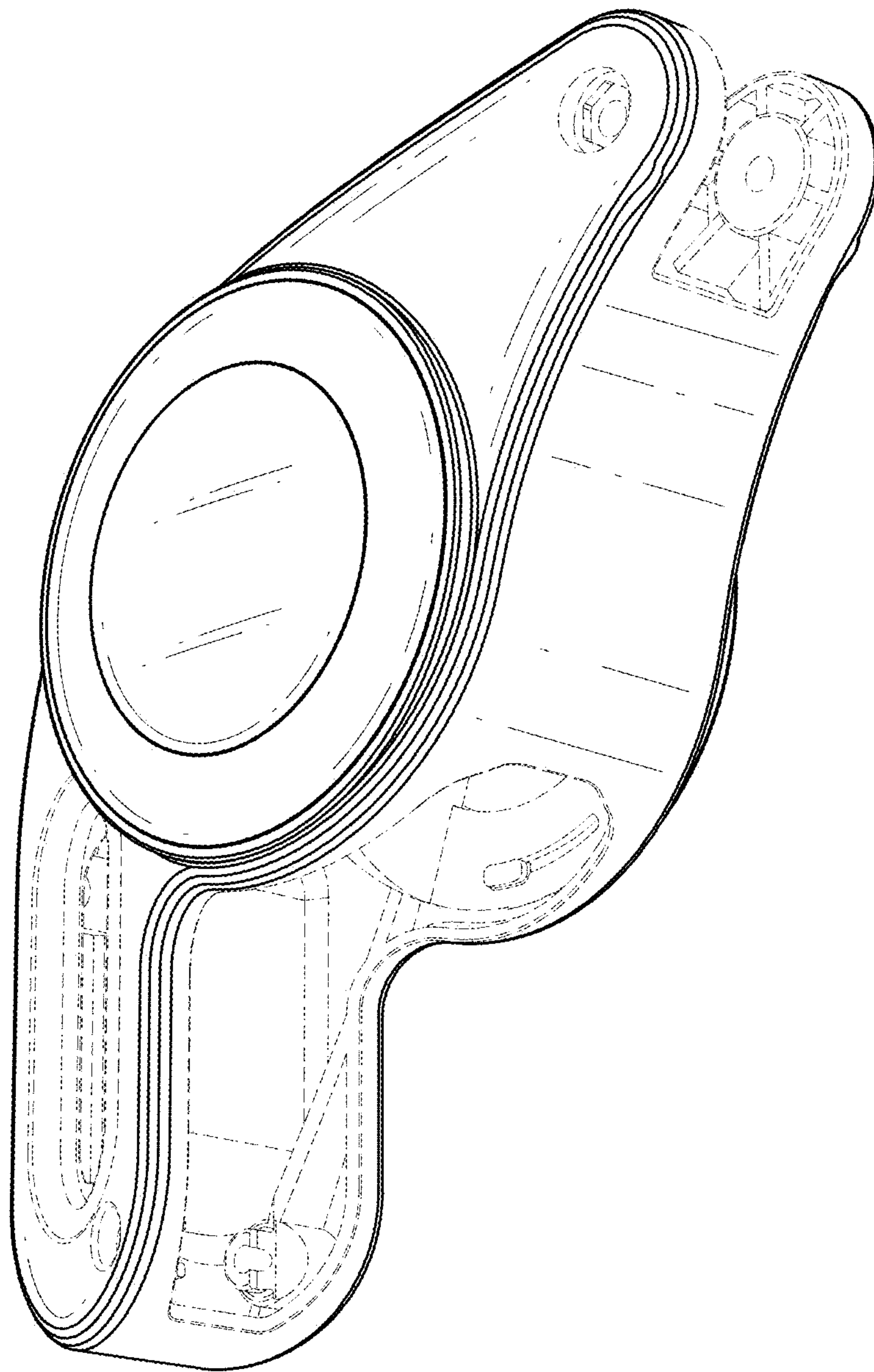


FIG. 3

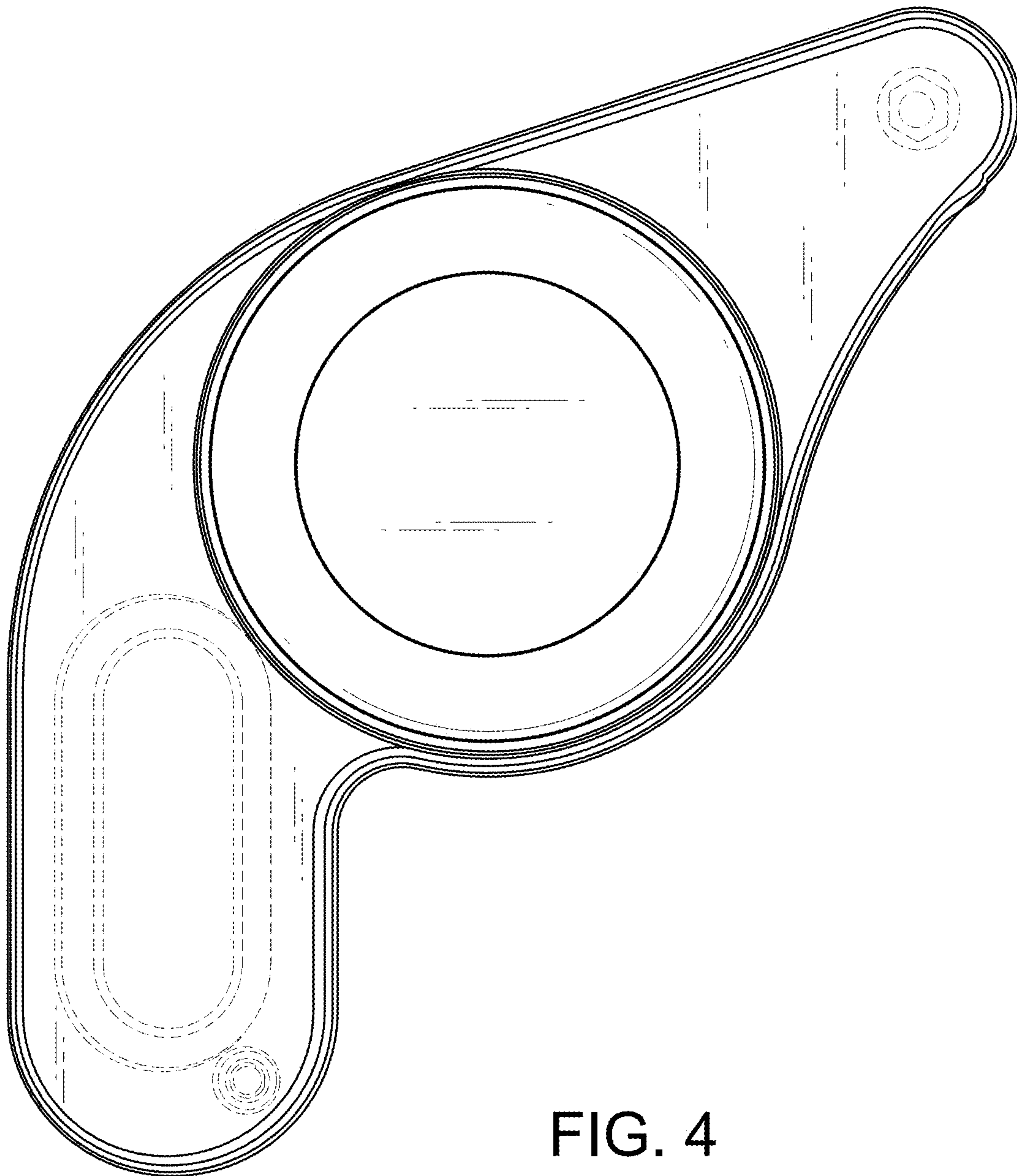


FIG. 4



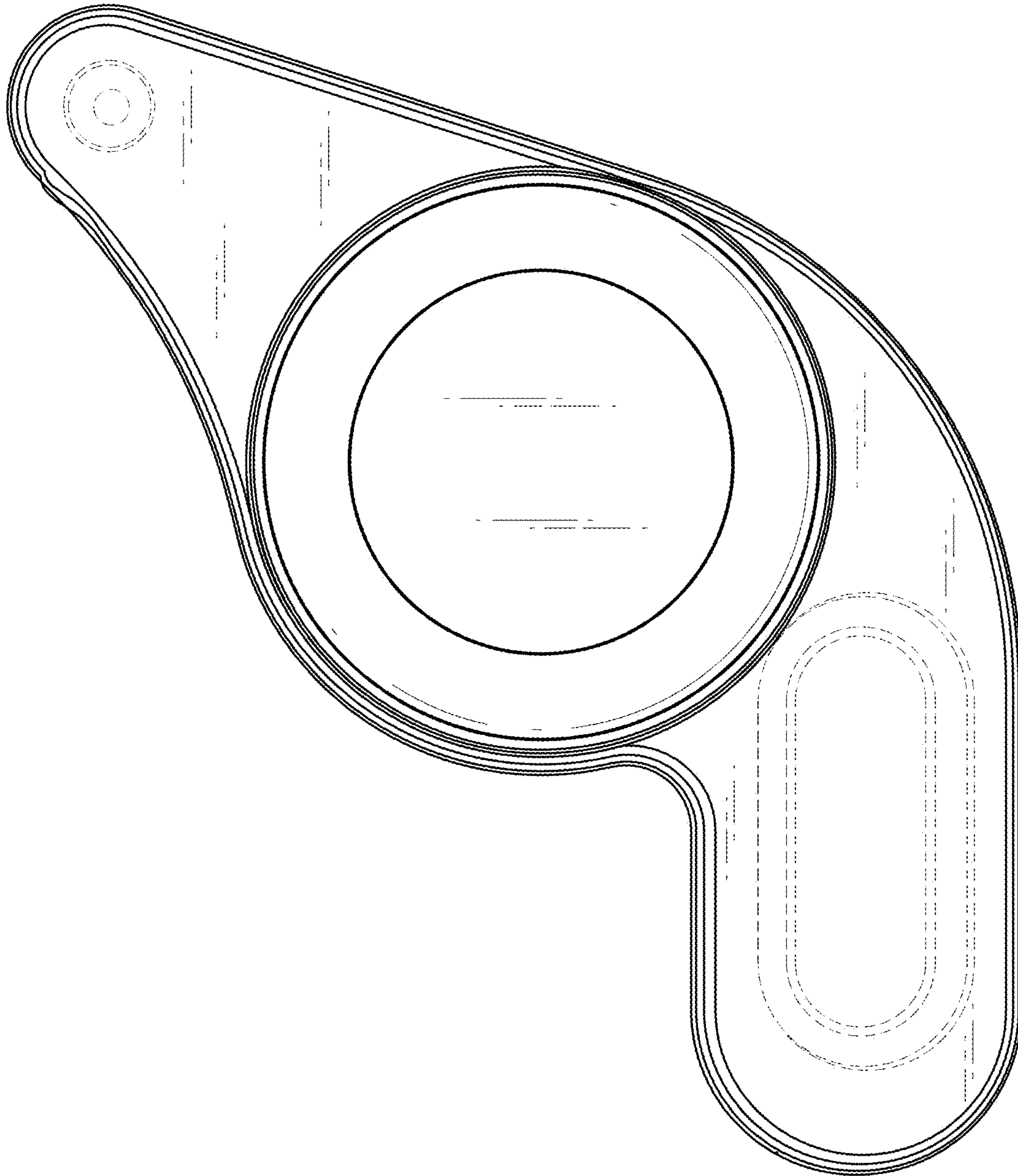


FIG. 5

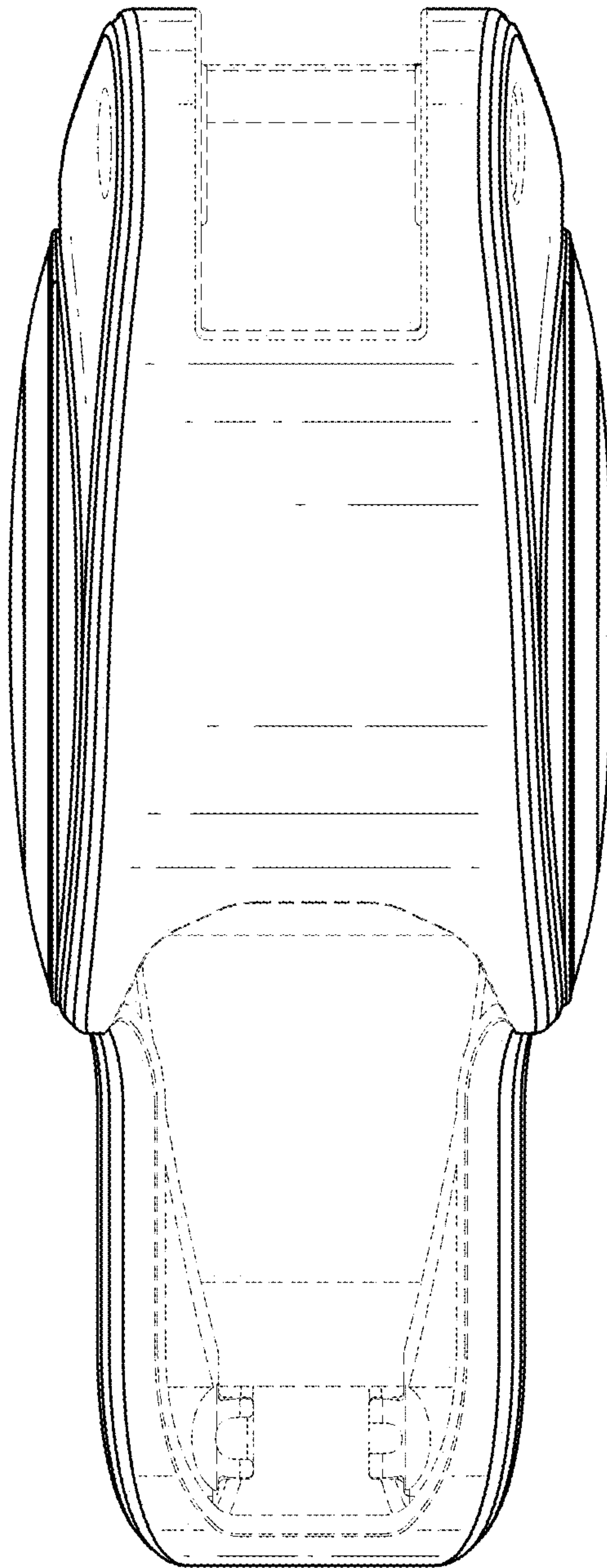


FIG. 6



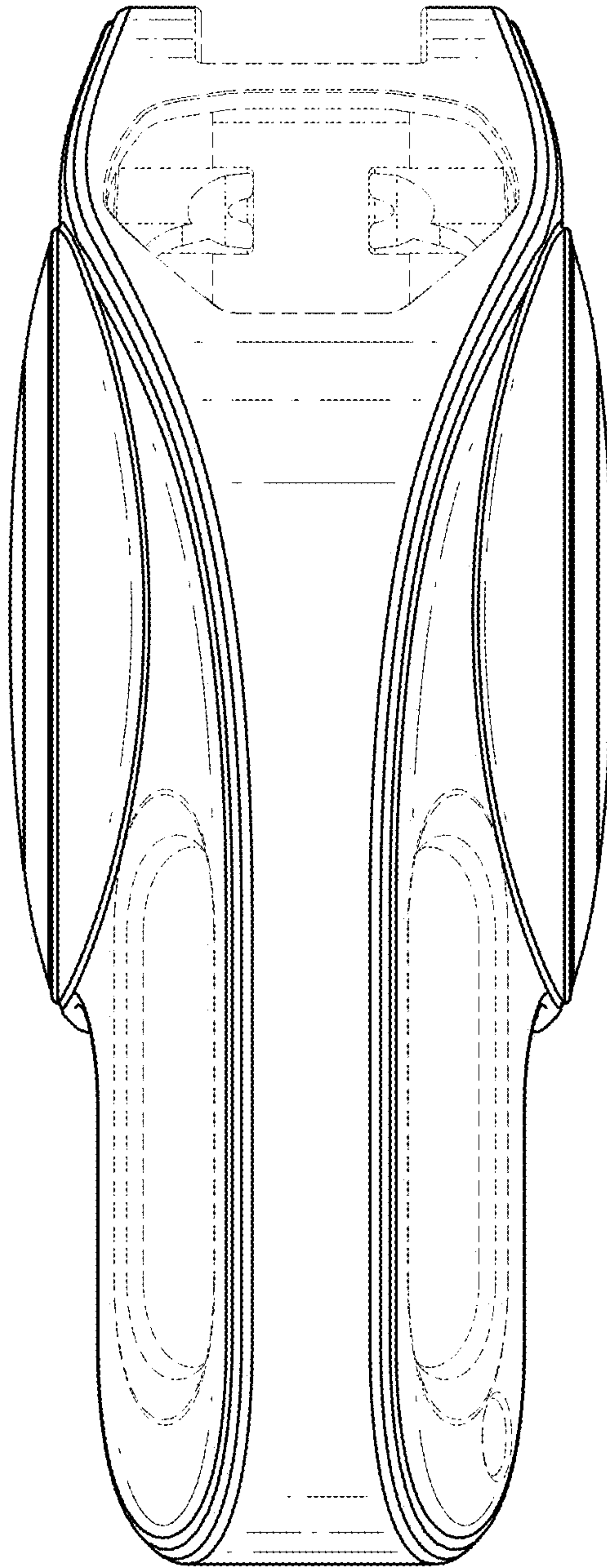


FIG. 7

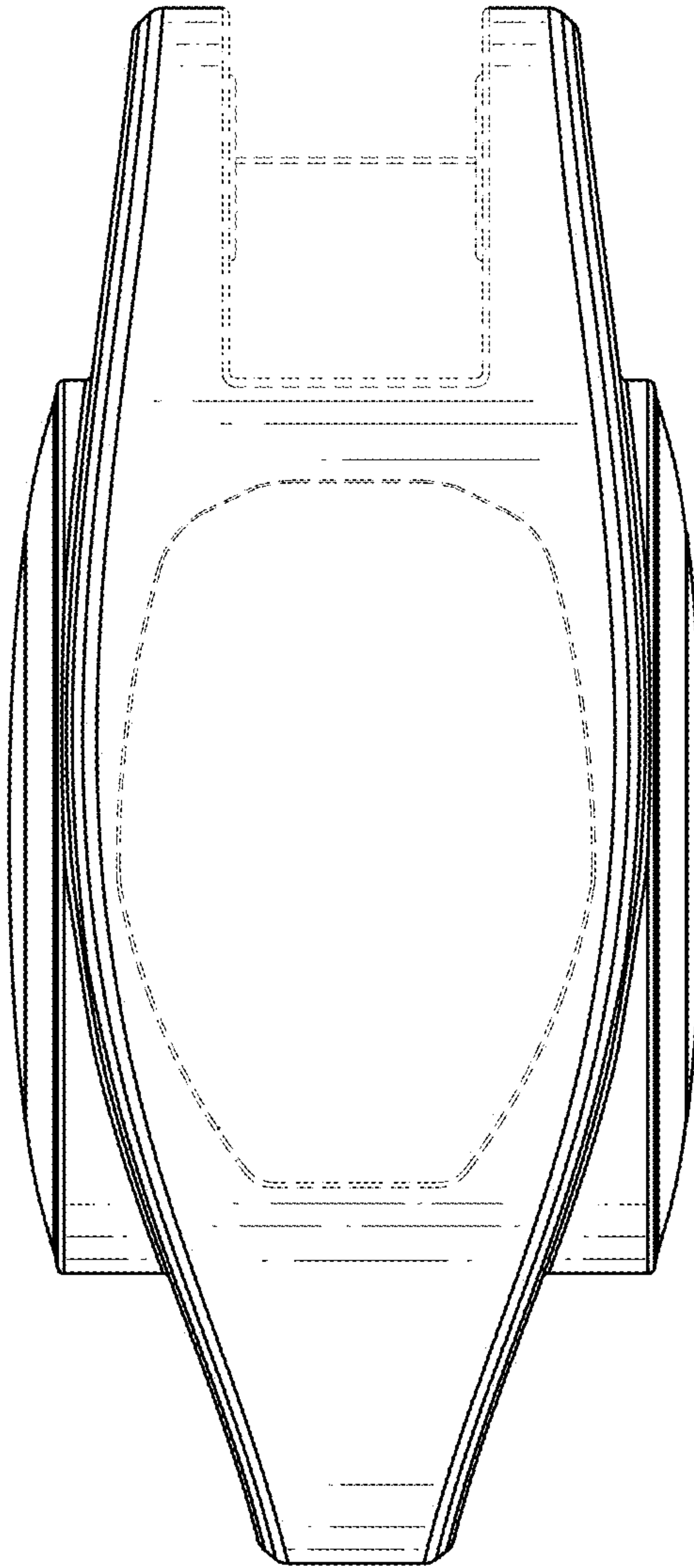


FIG. 8



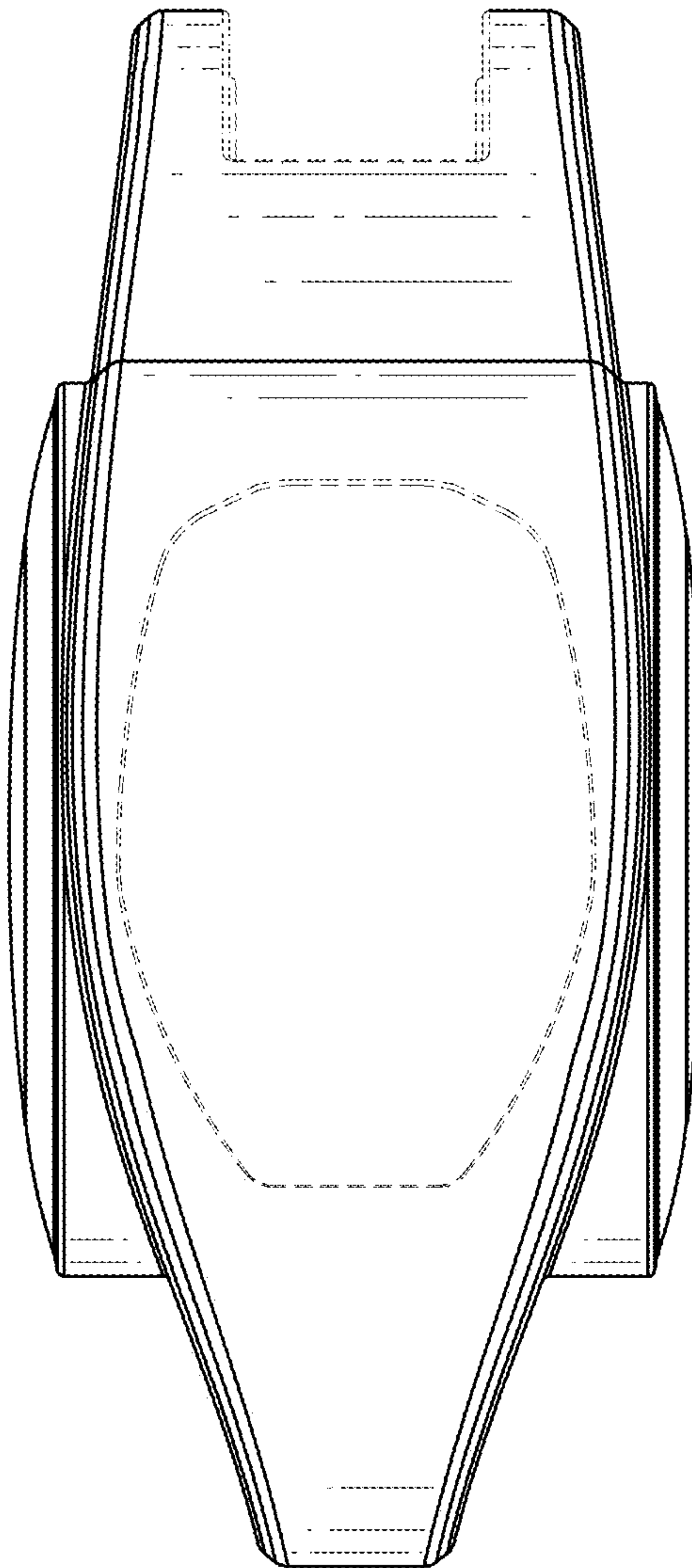


FIG. 9